

If the fault does not lie in this section, proceed to the distribution fuse board and test each branch circuit in turn (Figure 13) till the faulty circuit or circuits are discovered. These should be subjected to further tests as indicated in Figure 14 till the actual fault is located.

It might be as well to suggest at this stage, that every reading which is obtained should be written down, for it is a most annoying thing to test round a whole house and then find that one has forgotten the readings.

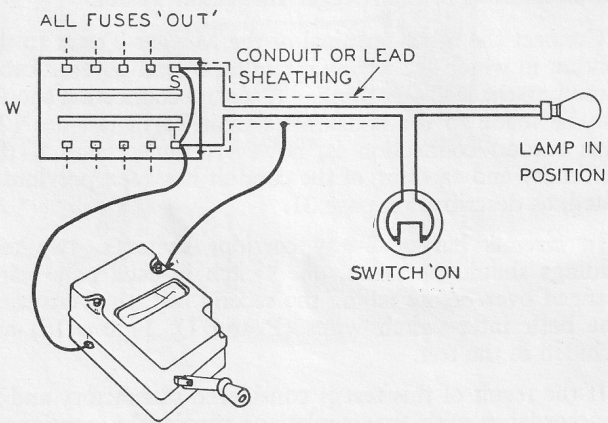
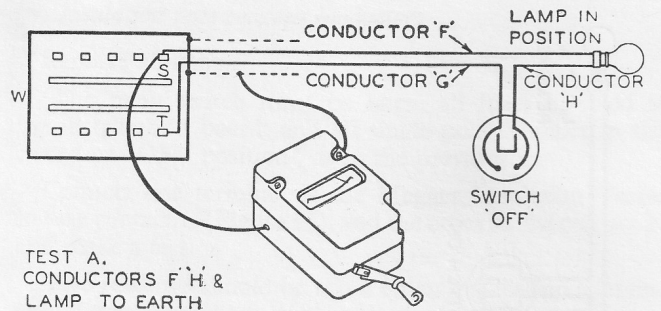
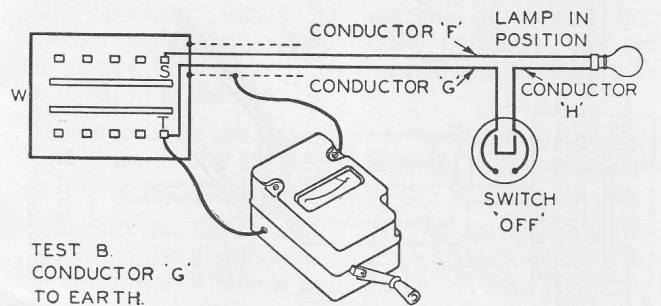


Figure 13

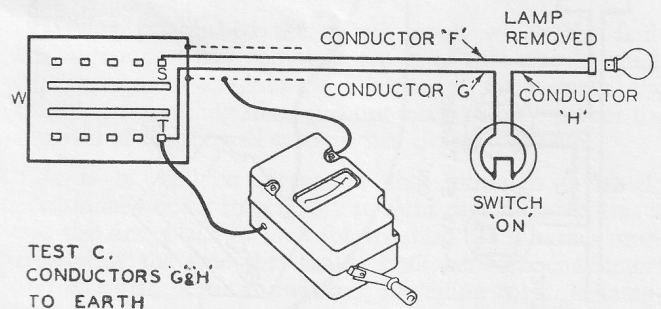
Test to earth on branch circuit



TEST A.
CONDUCTORS F, H &
LAMP TO EARTH



TEST B
CONDUCTOR 'G'
TO EARTH.



TEST C.
CONDUCTORS 'G' & 'H'
TO EARTH

Figure 14

Test to locate fault to earth on branch circuit