



**ELIKA**

ELKARHAPSODY

610

\_\_\_\_\_ schematic diagrams \_\_\_\_\_



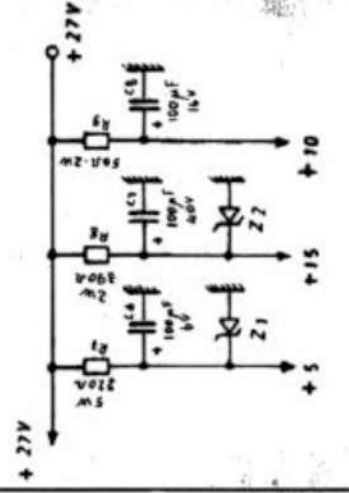
# ELKA

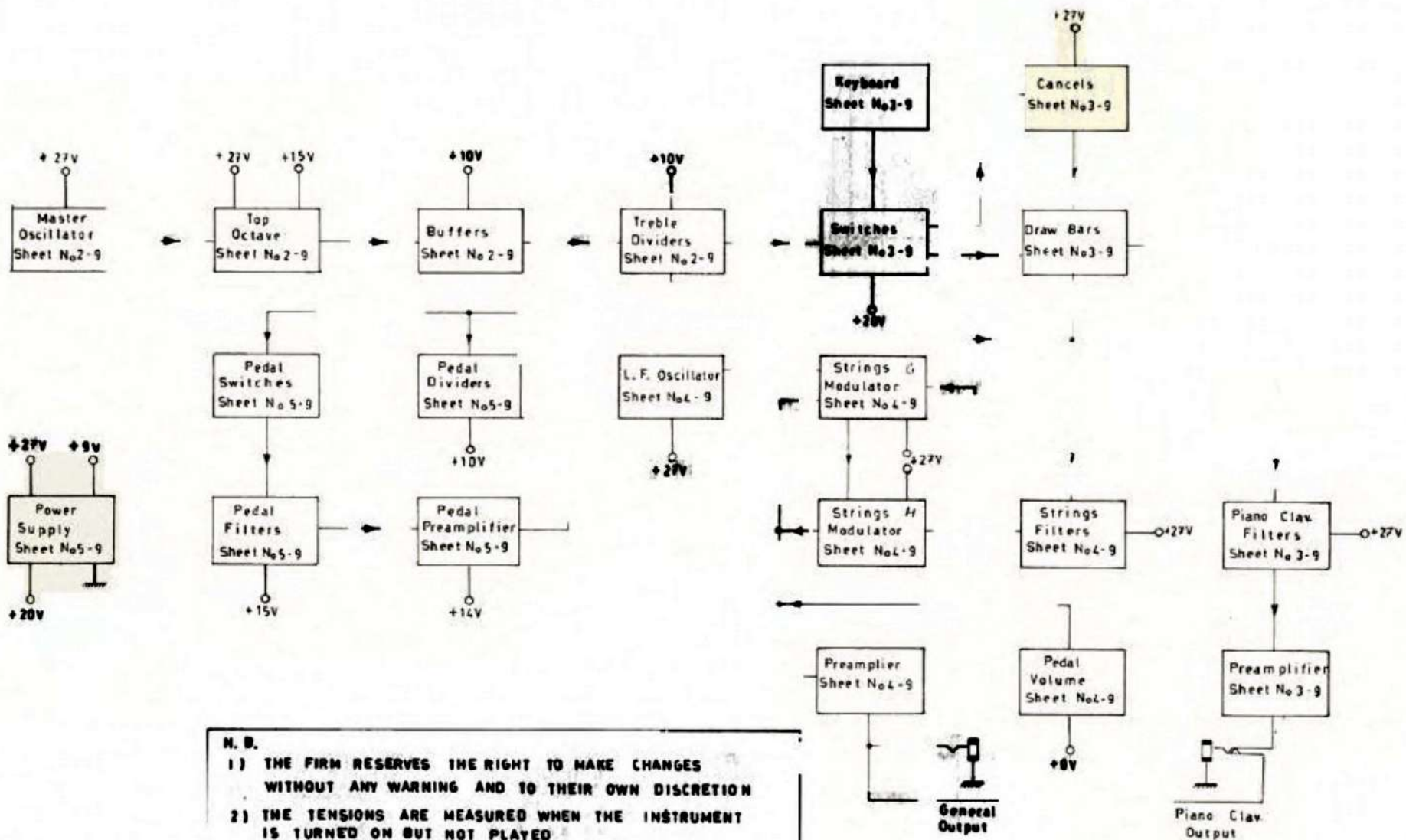
## ERRATA CORRIGE

### Model

Elkarhapsody 610

		MODIFICATIONS	
Sheet N.	Date	Printed Circuit	
4-9	6-4-77	M000642	<p><b>Before</b></p> <p>R11 = 10K</p>
2-9	14-4-77	M000641	<p><b>Now</b></p> <p>R11 = 1K</p>





N. B.

- 1) THE FIRM RESERVES THE RIGHT TO MAKE CHANGES WITHOUT ANY WARNING AND TO THEIR OWN DISCRETION
- 2) THE TENSIONS ARE MEASURED WHEN THE INSTRUMENT IS TURNED ON BUT NOT PLAYED

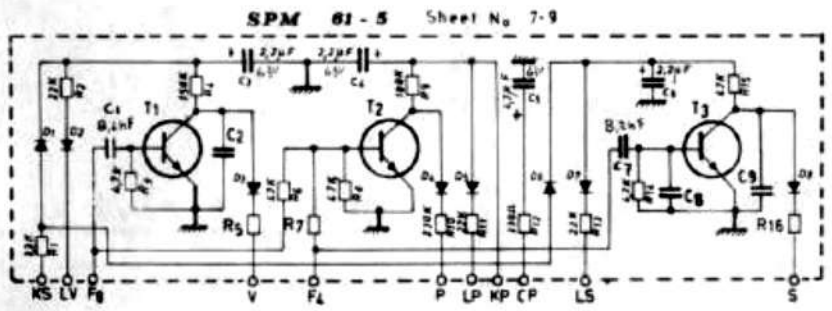
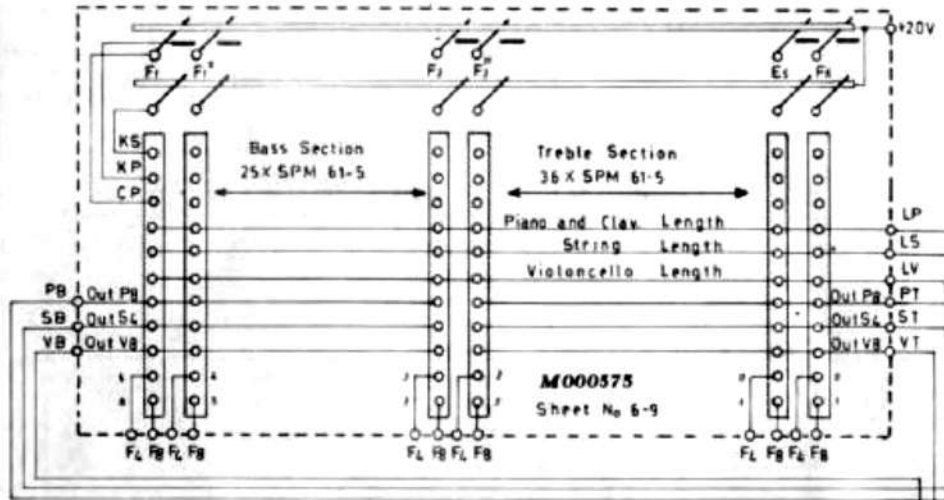
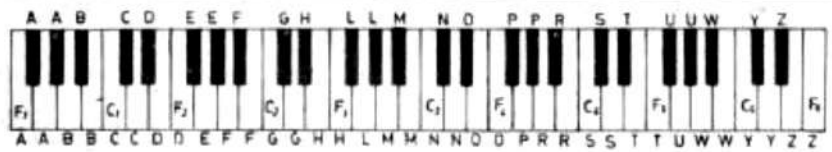
Designed by  
*Prof. Elton*

Drawn by  
*W. A. L.*

Checked by

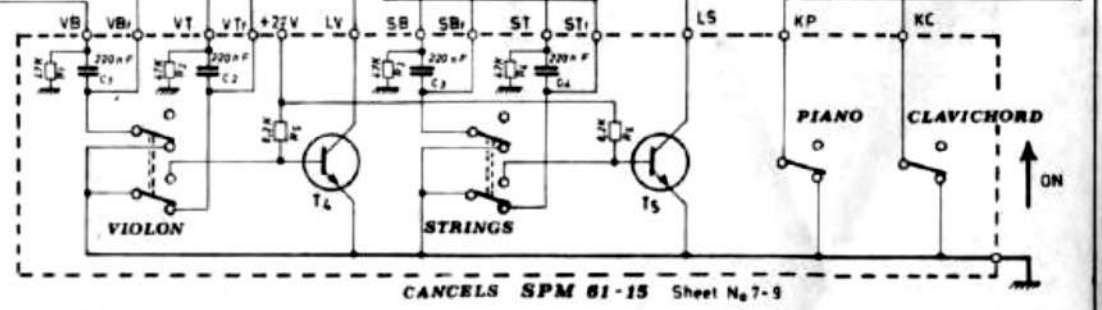
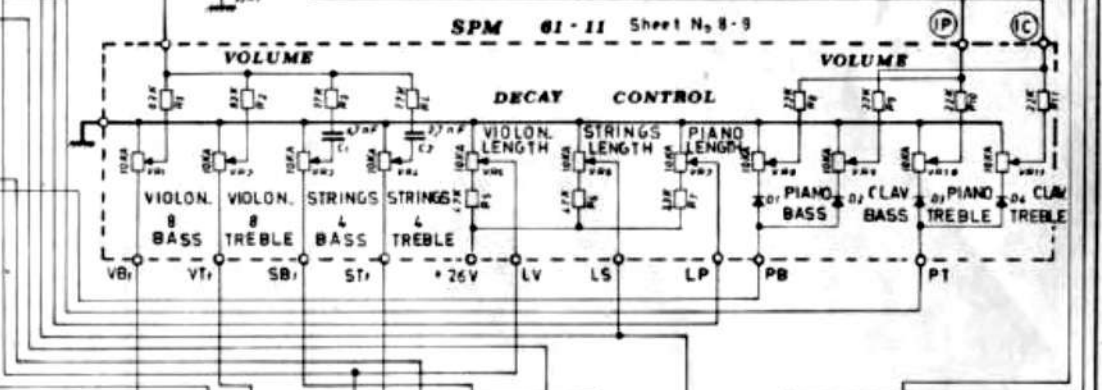
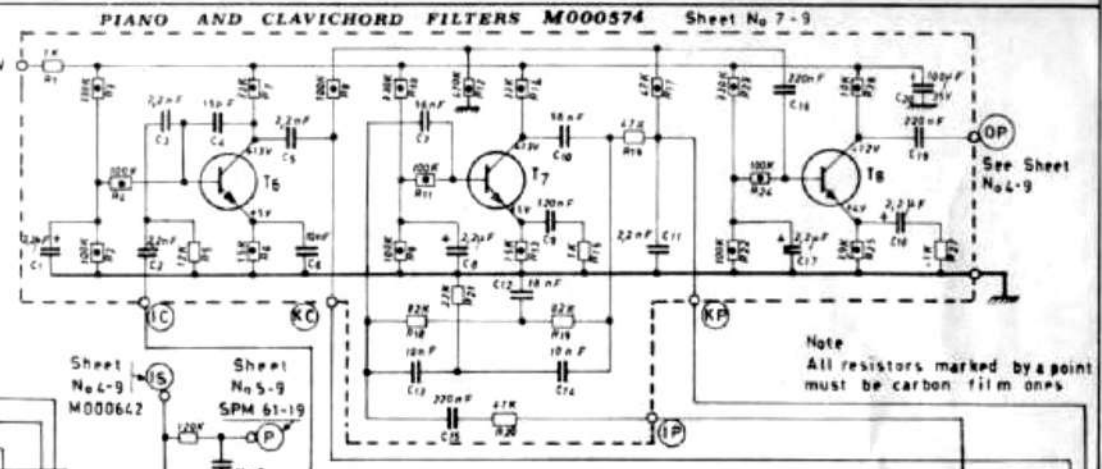
*Prof. Elton*

	Model Elkarhamb 610	Object: Block Diagram	Sheet No 1-9
			Date 24-3-76

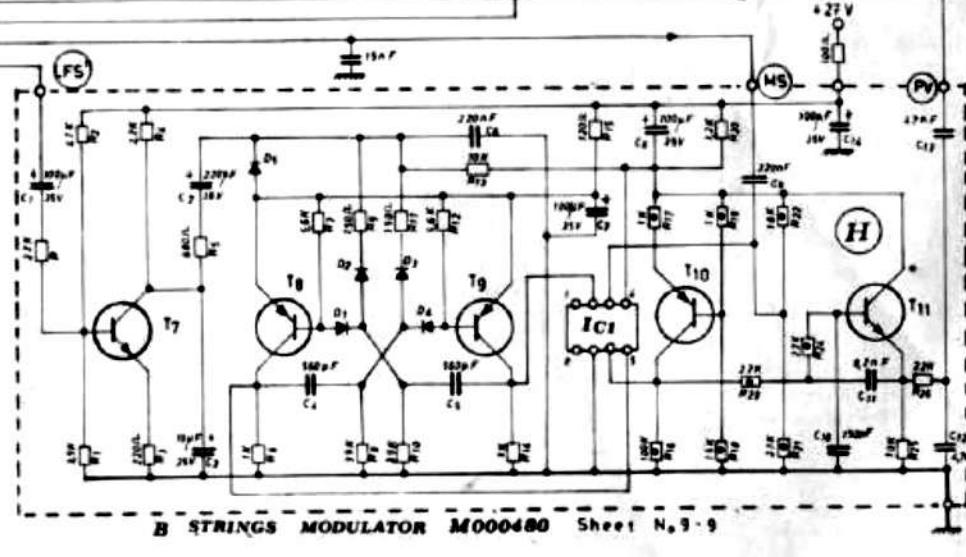
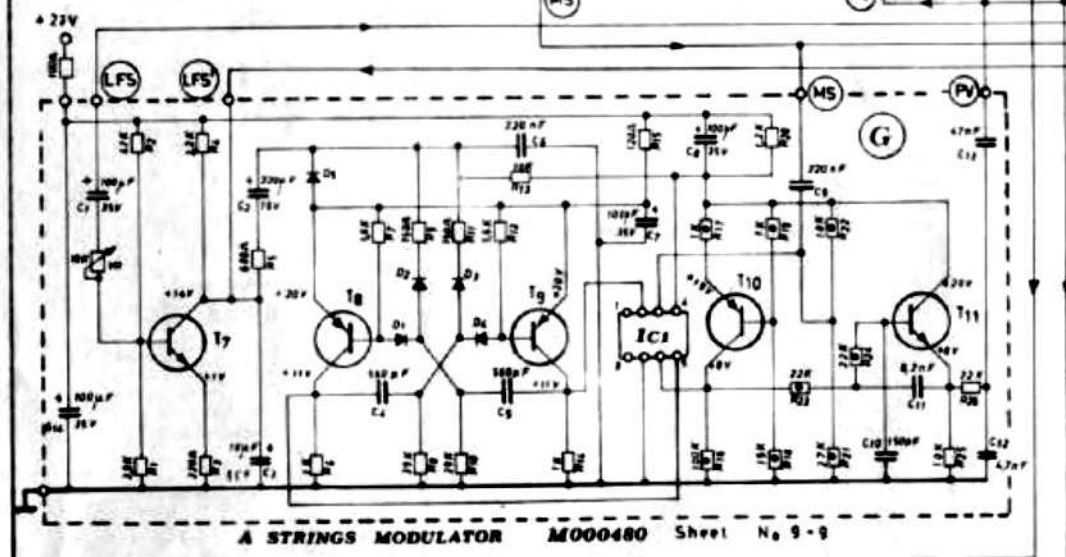
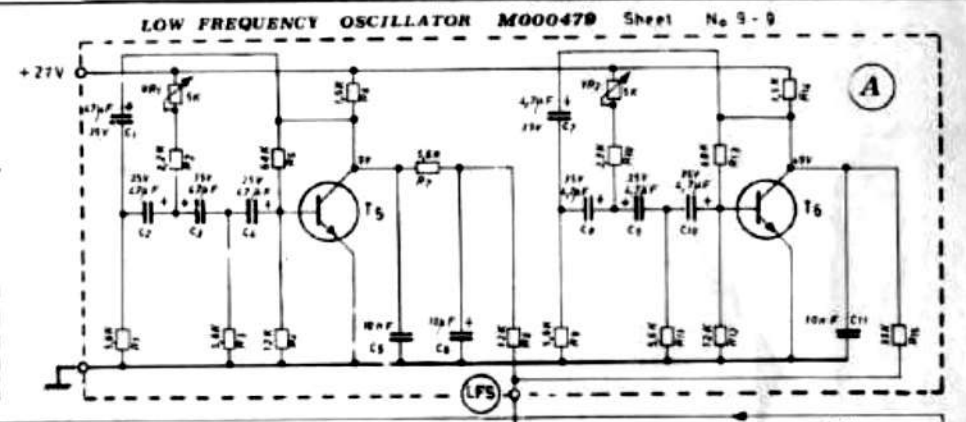
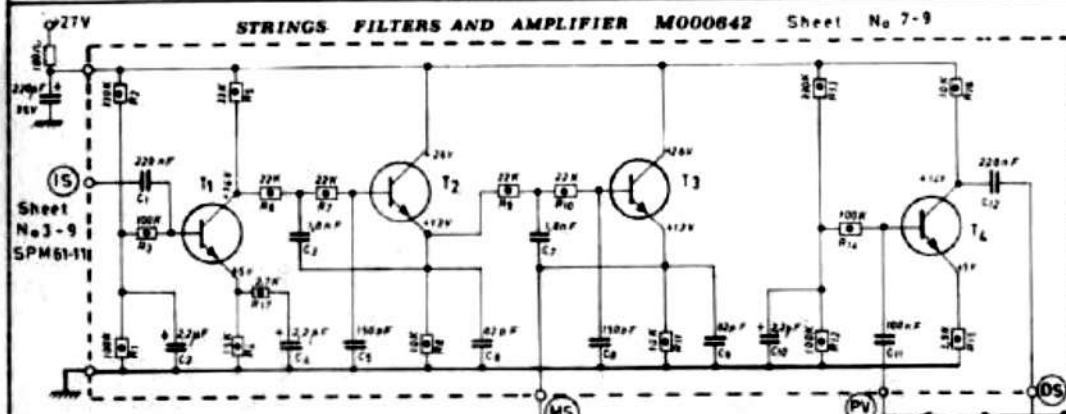


	A	B	L	D	E	F	G	H	L	N	O	P	R	S	T	U	W	Y	Z	
C <sub>2</sub>	56	47	39	33	27	22	18	15	12	10	8,2	6,8	5,7	4,7	3,9	3,3	2,7	2,2	1,0	1,5
C <sub>8</sub>	-	-	-	-	-	-	-	-	-	-	-	-	-	5,8	6,8	6,8	6,8	6,8	6,8	6,8
C <sub>9</sub>	6,2	6,8	5,7	4,7	3,9	3,3	2,7	2,2	1,8	1,2	0,820	0,470	0,220	0,120	-	-	-	-	-	-
R <sub>5</sub>	560	560	560	560	560	560	560	560	560	560	470	470	390	390	330	330	270	270	220	220
R <sub>7</sub>	47	47	47	47	47	47	47	47	47	47	47	47	47	47	47	47	-	-	-	-
R <sub>15</sub>	560	560	560	560	560	560	560	560	560	560	470	390	330	270	220	180	560	470	390	330

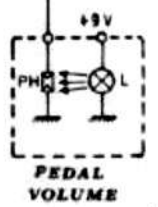
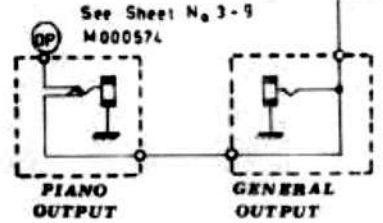
1) All values are indicated KpF and Ka. 2) All diodes are FDM 0665 Fairchild



Code	Type	Transistors	Model	Object:	Sheet No 3-9
T <sub>1</sub> - T <sub>5</sub>	NPN	FS 33805 Fairchild or BC 208	Elkarhapody 610	Switches and Piano Filters	Date 12-3-75
T <sub>6</sub> - T <sub>8</sub>	NPN	BC 209 B			



Code	Type	Transistors
T1 - T4	NPN	BC 209 B
T5 - T6	NPN	BC 209 B
T7 - T11		
T8 - T9	PNP	BC 205 Mistral
T10	PNP	BC 154 BC 415 Fairchild



L=12V - 3W Philips  
PH=B 873103 Philips

IC1 = TCA 350Y 11T

- All diodes are FDM 0666 Fairchild
- All resistors marked by a point must be Carbon film ones 5% tolerance

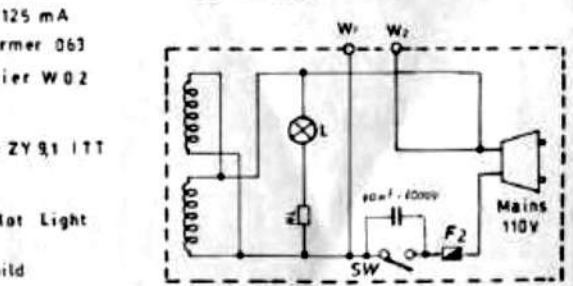
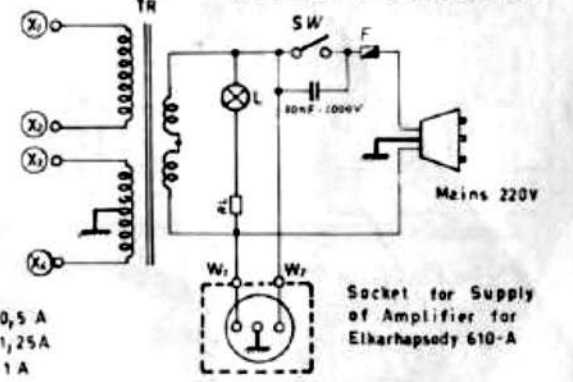
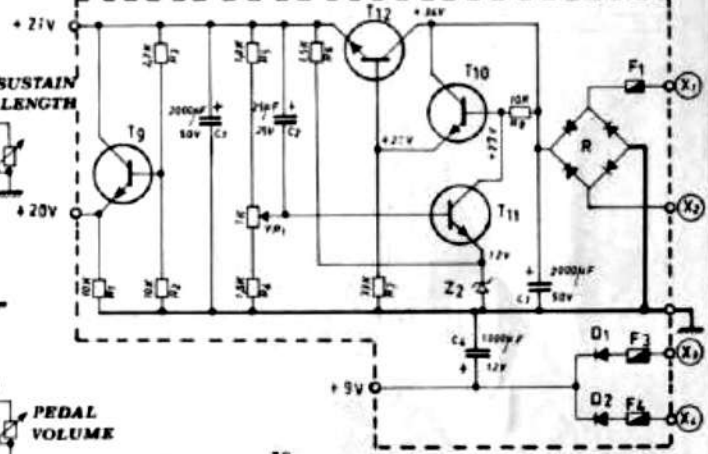
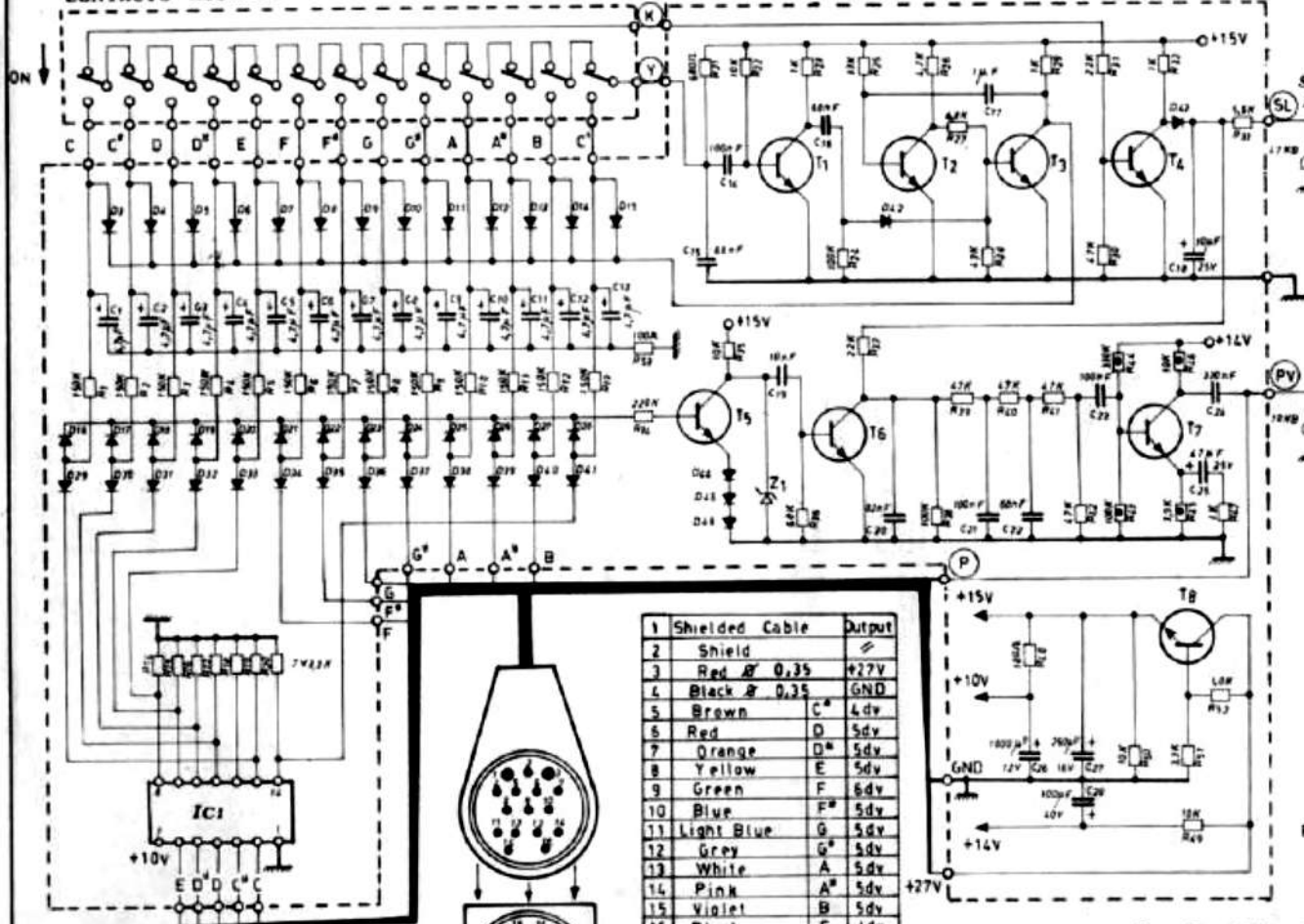
*not* *leaps*  
*VOLUME*

	Model Elkarhopsod 610	Object: Strings Filters and Modulator	Sheet No L-9 Date 23-1-76
--	-----------------------------	---	------------------------------

CONTACTS ASSEMBLY FOR PEDALBOARD 99-19

FOOT PEDALBOARD CONTROL  
SPM 61-19 Sheet No 8-9

POWER SUPPLY SPM 61-13 Sheet No 9-9



Shielded Cable	Output
1 Shield	⊘
2 Red R 0,35	+27V
3 Black B 0,35	GND
4 Brown	C 4dv
5 Red	D 5dv
7 Orange	D <sup>+</sup> 5dv
8 Yellow	E 5dv
9 Green	F 6dv
10 Blue	F <sup>+</sup> 5dv
11 Light Blue	G 5dv
12 Grey	G <sup>+</sup> 5dv
13 White	A 5dv
14 Pink	A <sup>+</sup> 5dv
15 Violet	B 5dv
16 Black	C 4dv

Code	Type	Transistors
T <sub>1</sub> - T <sub>6</sub>	NPN	FS 33805 Fairchild or BC 208-108
T <sub>7</sub>	NPN	OA 09 Motorola
T <sub>8</sub> - T <sub>11</sub>	NPN	BC 286 SCS-TIP 29A
T <sub>12</sub>	NPN	2N 3055 Philips Motorola Ates

IC<sub>1</sub> = SAY 110 1TT

1) Pedal Output To (P) SPM 61-11 (Sheet No 3-9)

3) +27V (SPM 61-13)

4) GND (SPM 61-13)

5-16) Frequencies Input (Dividers Sheet No 2-9)

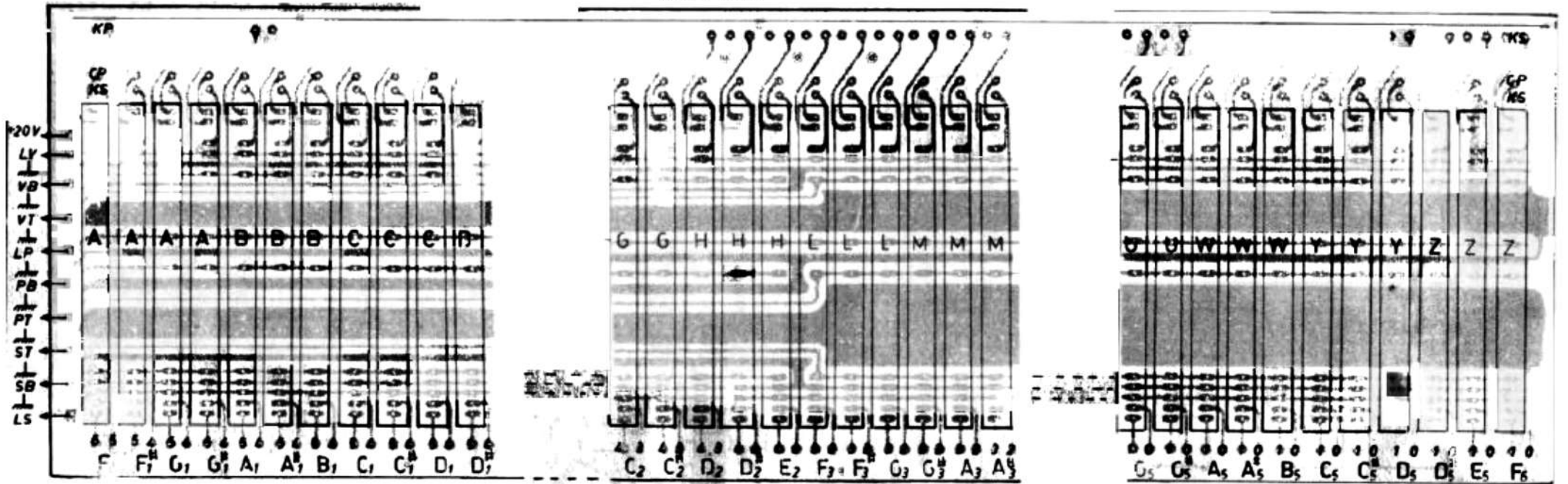
D<sub>1</sub> = D<sub>2</sub> = 1N4002 = 1N4003  
 Z<sub>1</sub> = T2 109 = 1N4739 1R = 1N4161B = ZY 91 1TT  
 BZX61 C 91 Britelec  
 Z<sub>2</sub> = 1N4163 B = T2 111 = PL117  
 SW + L = Single Pole Switch and Pilot Light

All diodes are FDH 0666 Fairchild or D407 Texas or BA181 Texas

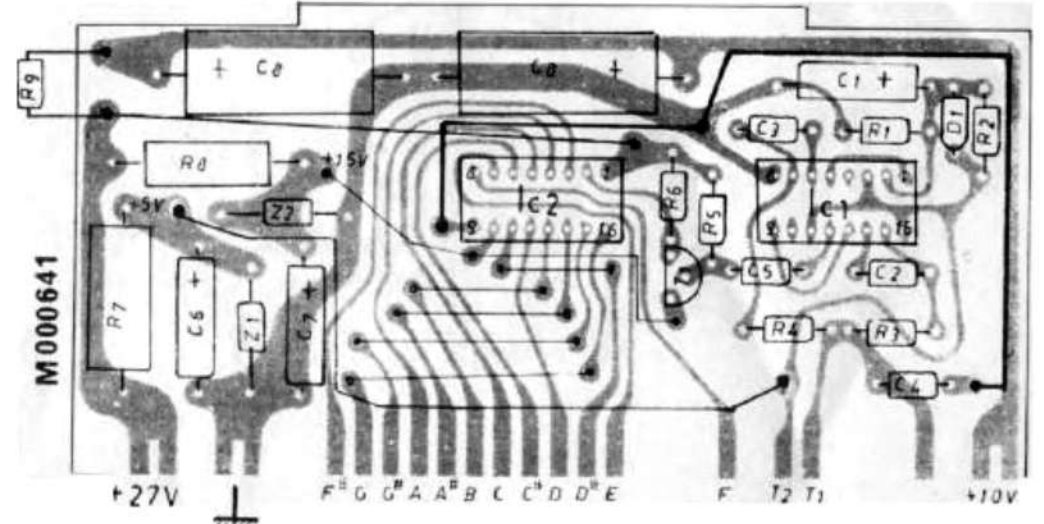
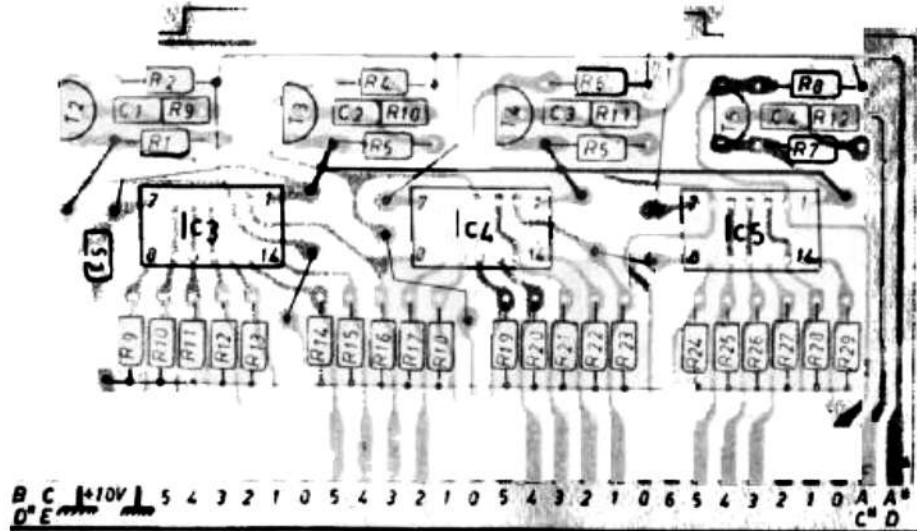
Note: All resistors marked by a point must be Carbon film

Model Elkarhapsody 610	Object: Bass Foot Pedalboard and Power Supply	Sheet No 5-9 Date 24-3-76
------------------------------	---	------------------------------

M000575

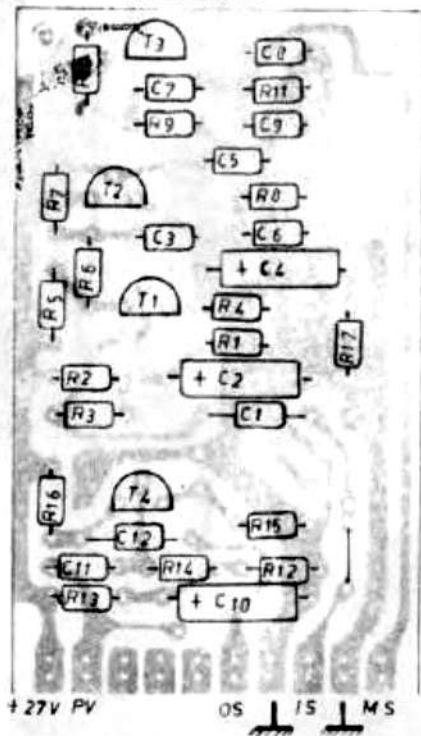


SPM 61-2

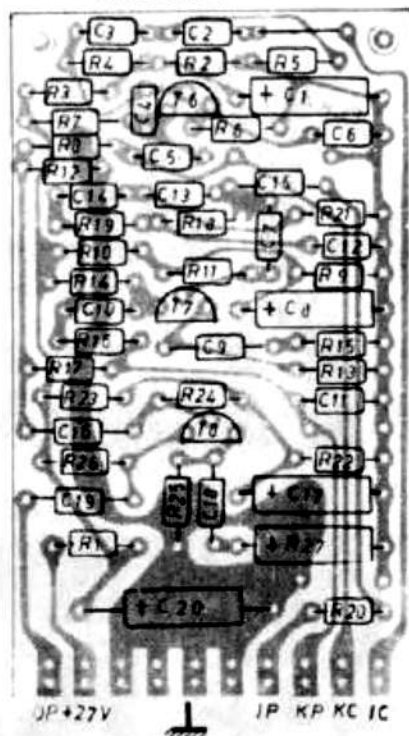


Model	Objekt	Sheet No 6-9
Elkharapady	Assembly of	Date 26-3-76
610	Printed Circuit	

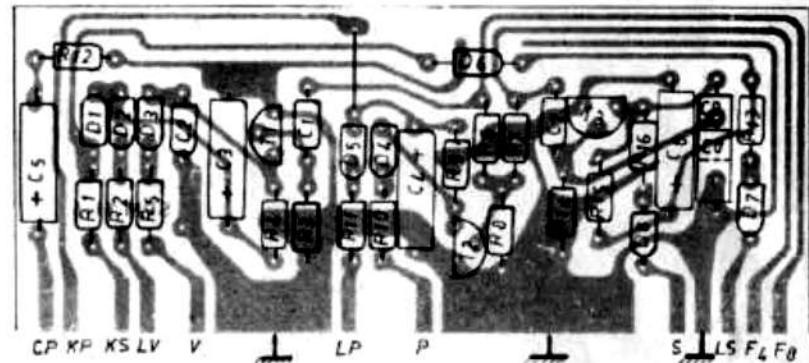
M000642



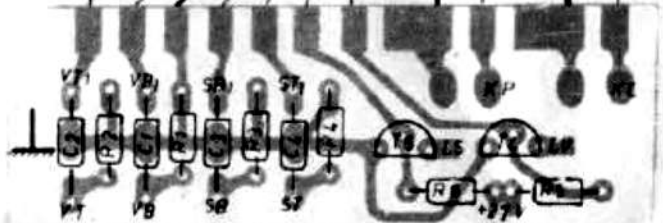
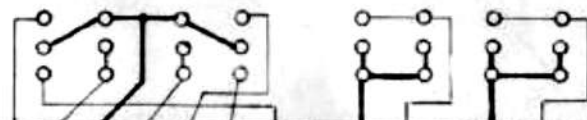
M000574



SPM 61-5



V I O L . S T R I N G S P I A N O C L A V .

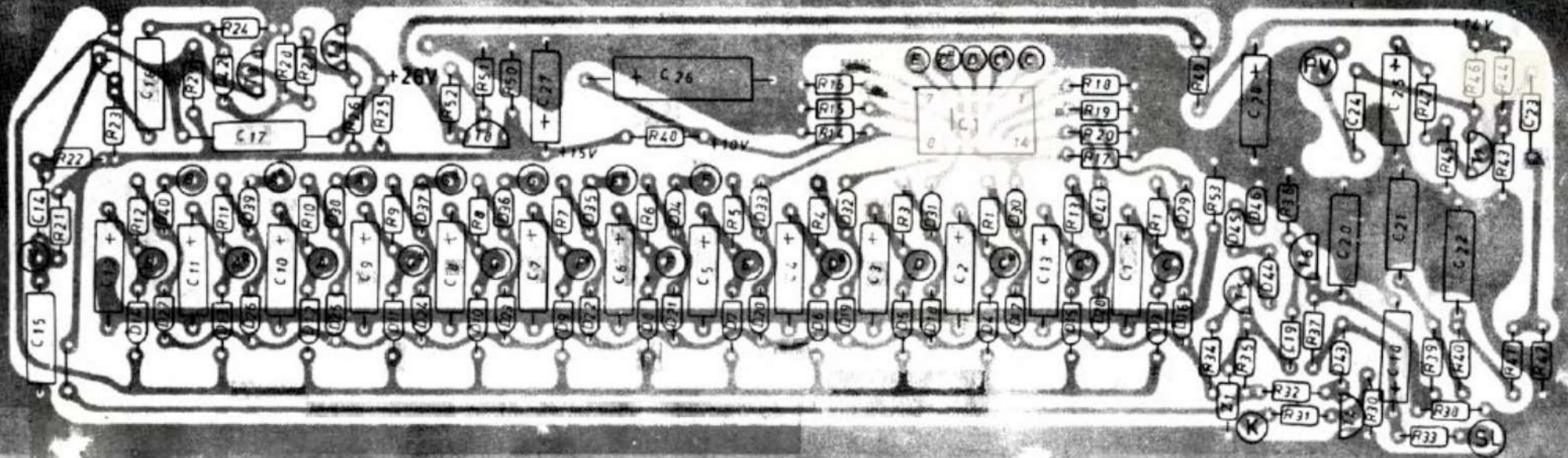


SPM 61 - 15

	Model	Object	Sheet No 7-9
	610	Assembly of Printed Circuit	Date 26-3-76



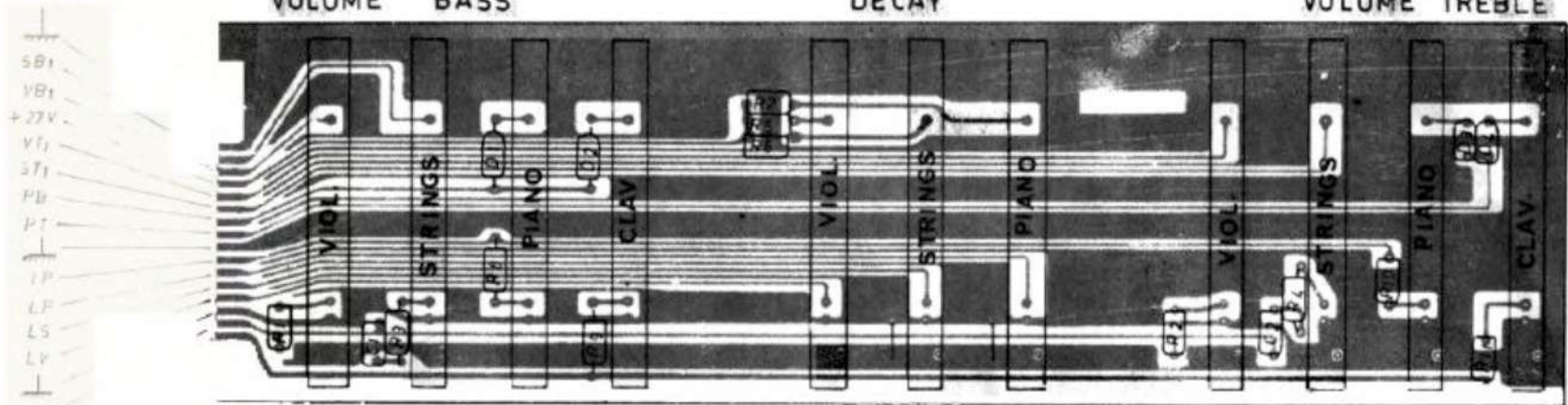
SPM 61-19



VOLUME BASS

DECAY

VOLUME TREBLE



- SB1
- VB1
- +27V
- VF1
- ST1
- PB
- PT
- IP
- LP
- LS
- LV
- IS
- IC

SPM 61-11



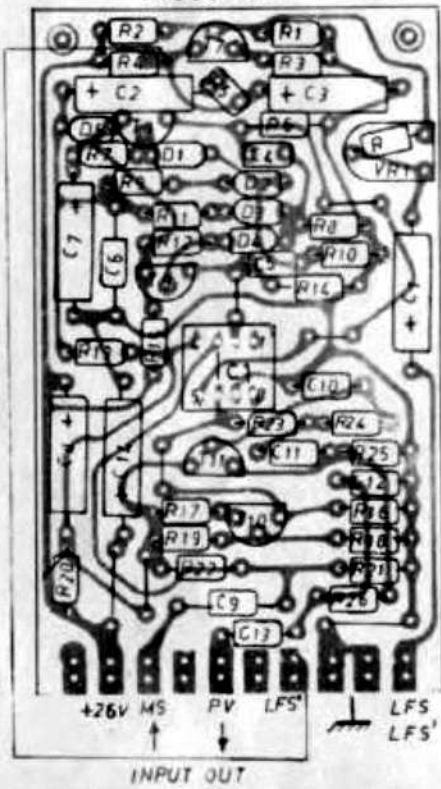
Model  
Elkarhasody  
610

Subject  
Assembly of  
Printed Circuit

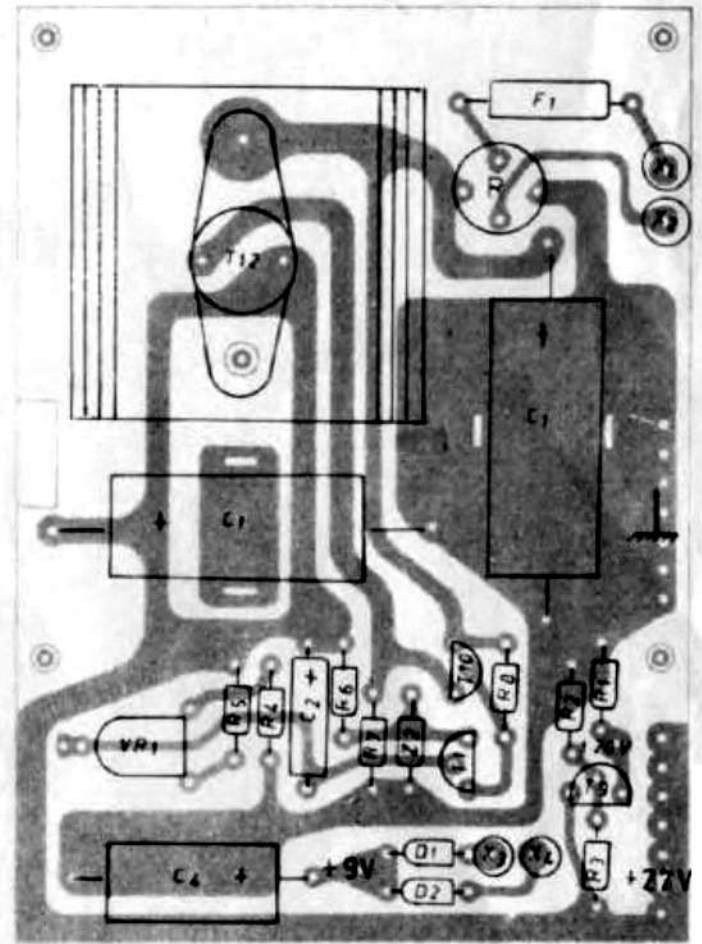
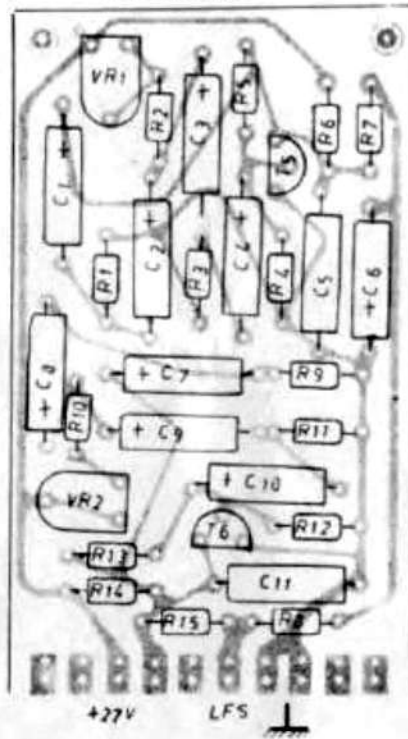
Sheet No 8-9  
Date 29-3-76

SPM 61 - 13

M000480



M000479



	Model	Object	Sheet No 9 - 9
	Elkarhappoy 610	Assembly of Printed Circuit	Date 29-3-76



Manufactured by **ELKA**

PD box 1

Castelgondardo

Italy

**ELECTRON-MUSIC**  
Wilceck & Gaul OHG