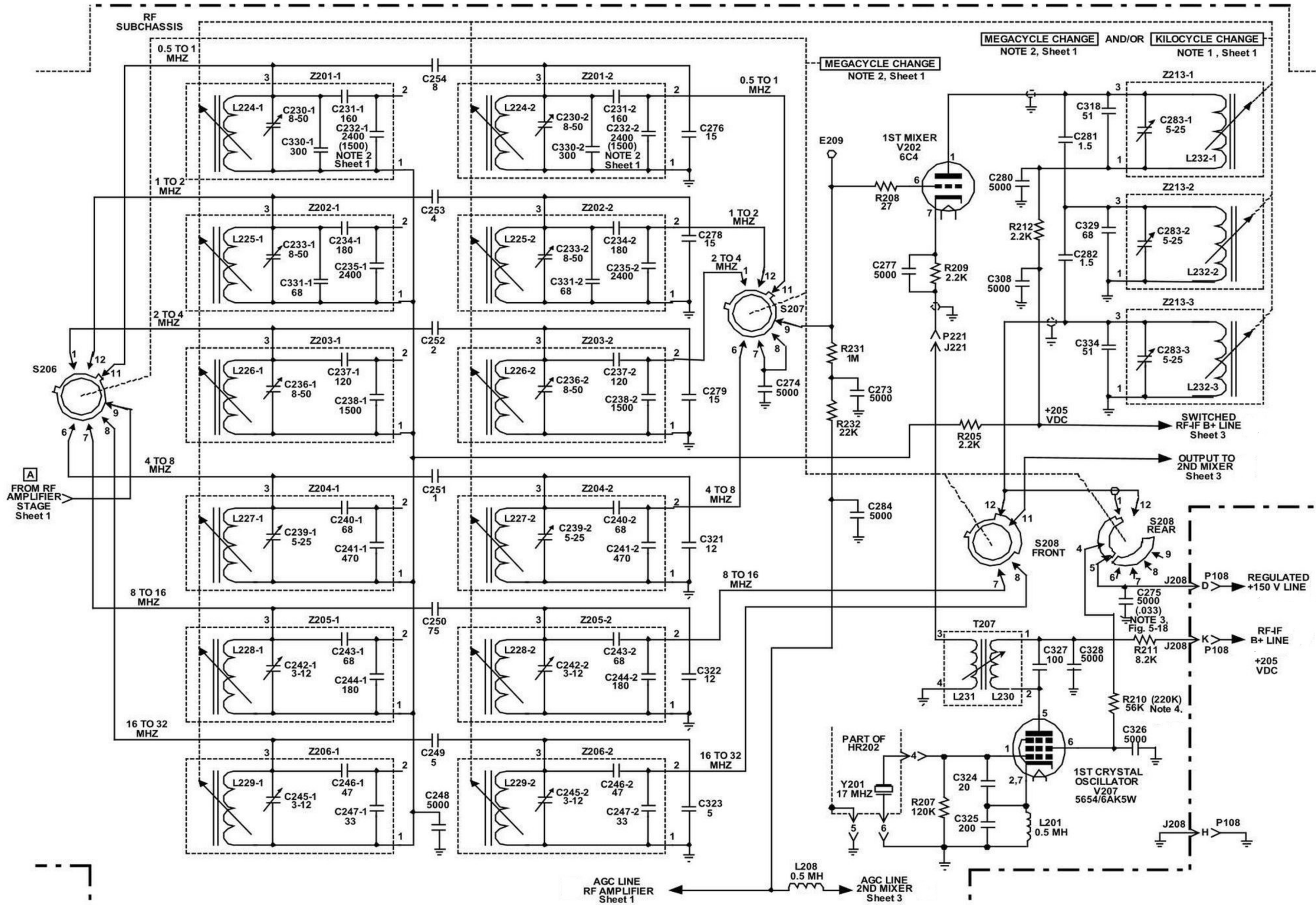
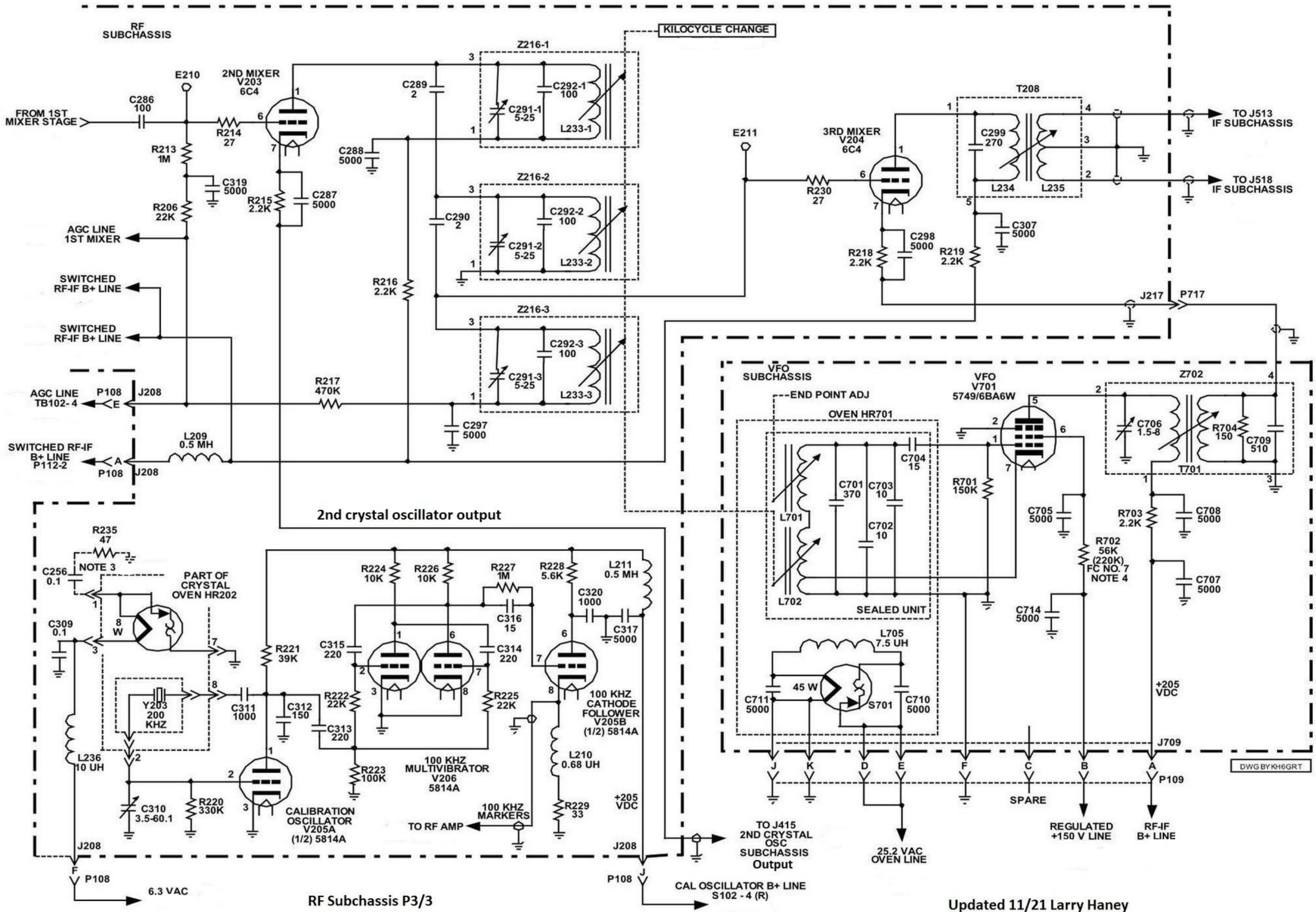


- NOTES:
1. ANTENNA, RF, AND VARIABLE IF COILS ARE TUNED AS FOLLOWS: CONTINUOUSLY WITH **KILOCYCLE CHANGE** ALL COILS. INTERMITTENTLY WITH **MEGACYCLE CHANGE** T203 THRU T206, Z201-1 THRU Z206-1, Z201-2 THRU Z206-2, & Z213-1 THRU Z213-3.
 2. SCHEMATIC SHOWN WITH **MEGACYCLE CHANGE** SET FOR THE 0.5 TO 1 MHZ BAND.
 3. REFER TO TABLE 1-9, PRODUCTION MODS.
 4. REFER TO TABLE 1-8, FIELD CHANGE DATA
 5. REFER TO TABLE 2-3 FOR FUSE DATA.

RF Subchassis P1 updated 11/21 Larry Haney

DWG BY KH6GRT





DWG BY KH6GRT

Updated 11/21 Larry Haney

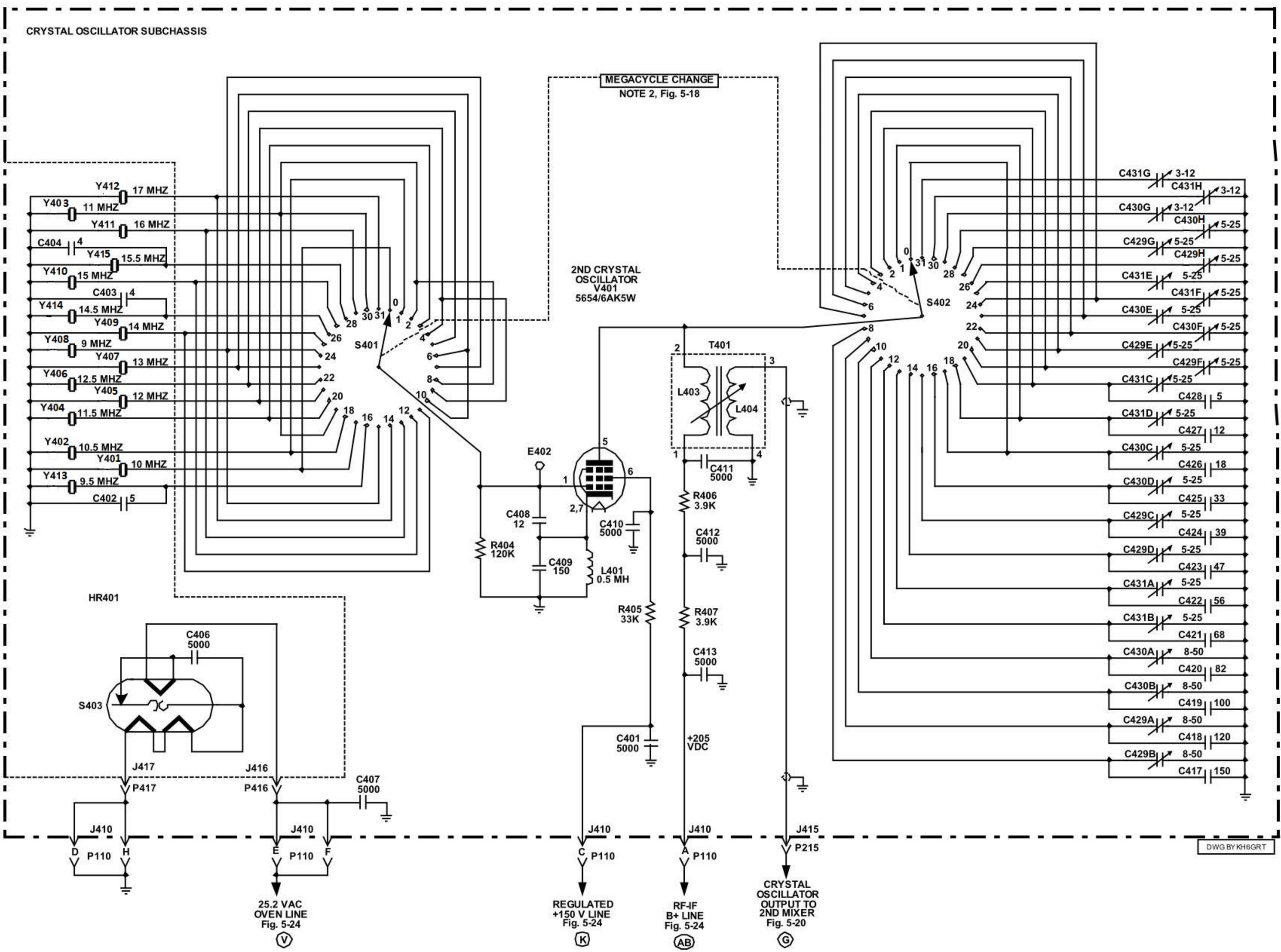
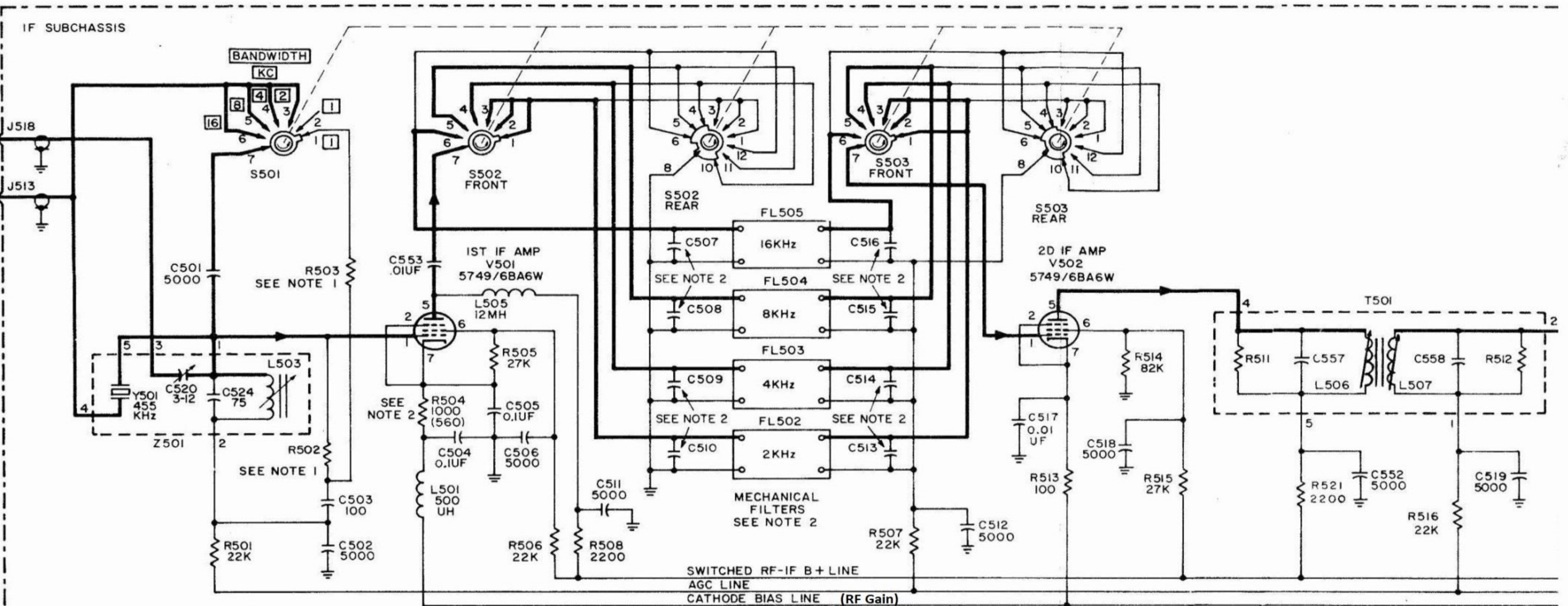


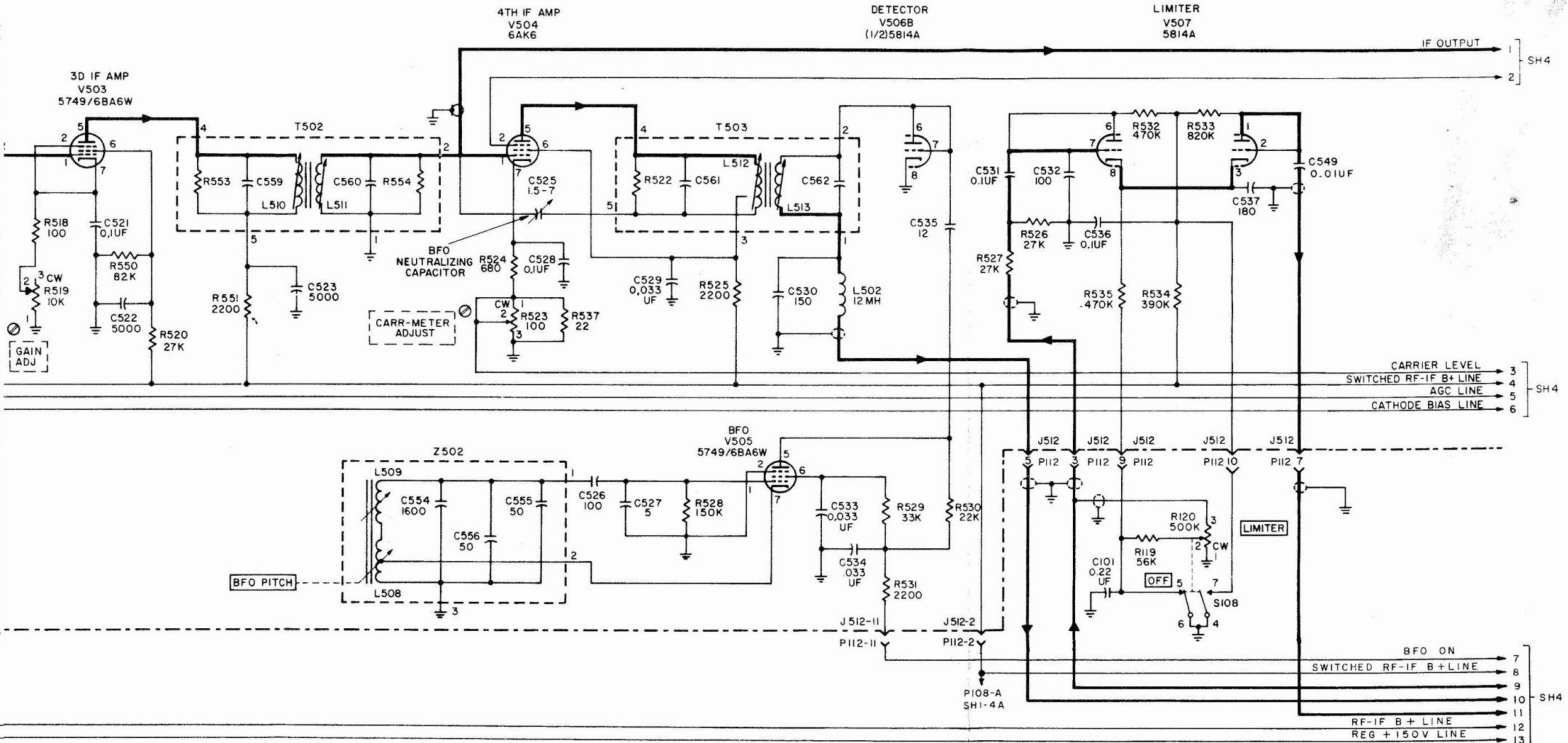
Figure 5-21 Schematic Diagram, Part 4 of 7 - 2nd Crystal Oscillator²²

²²Courtesy of Pete Wokoun, KH6GRT



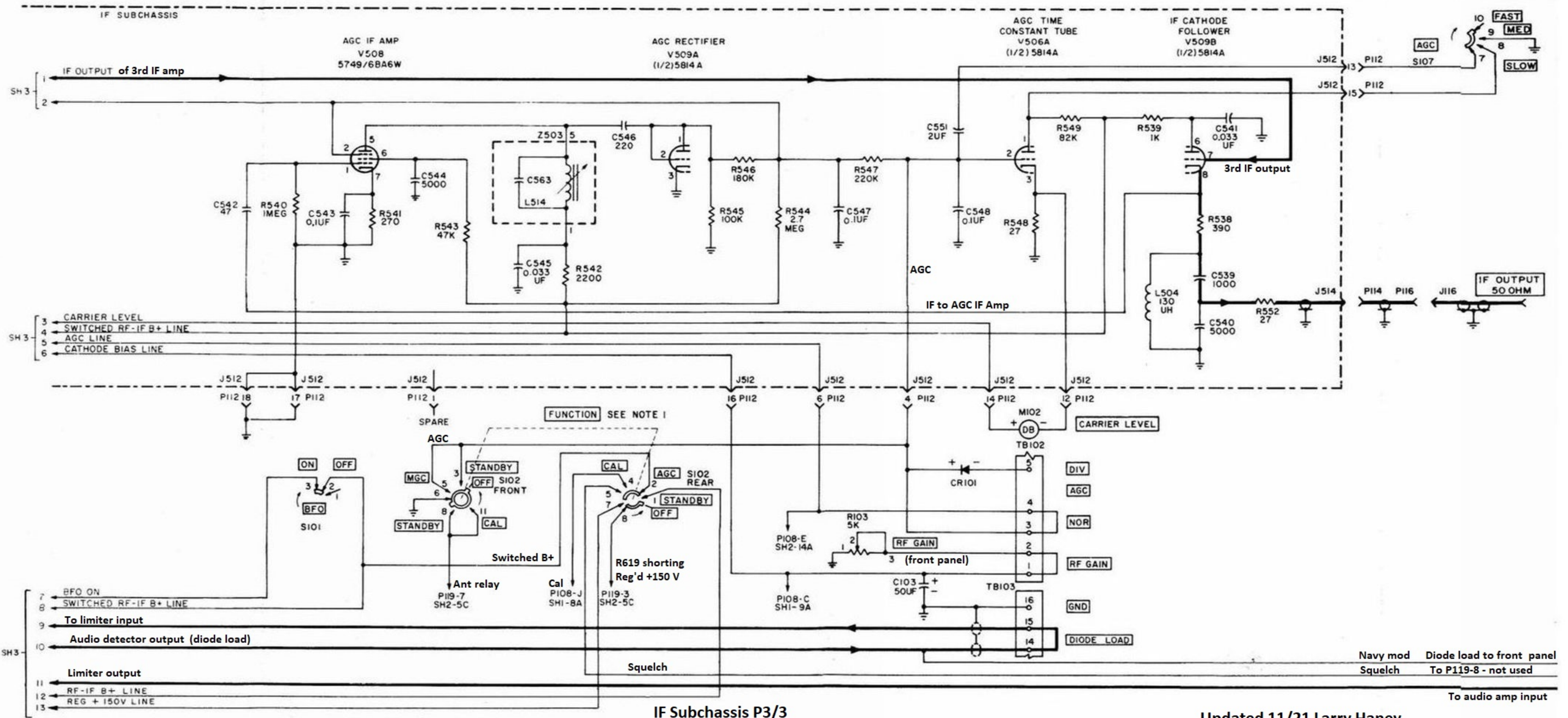
IF Subchassis P1/3

Updated 11/21 Larry Haney



IF Subchassis P2/3

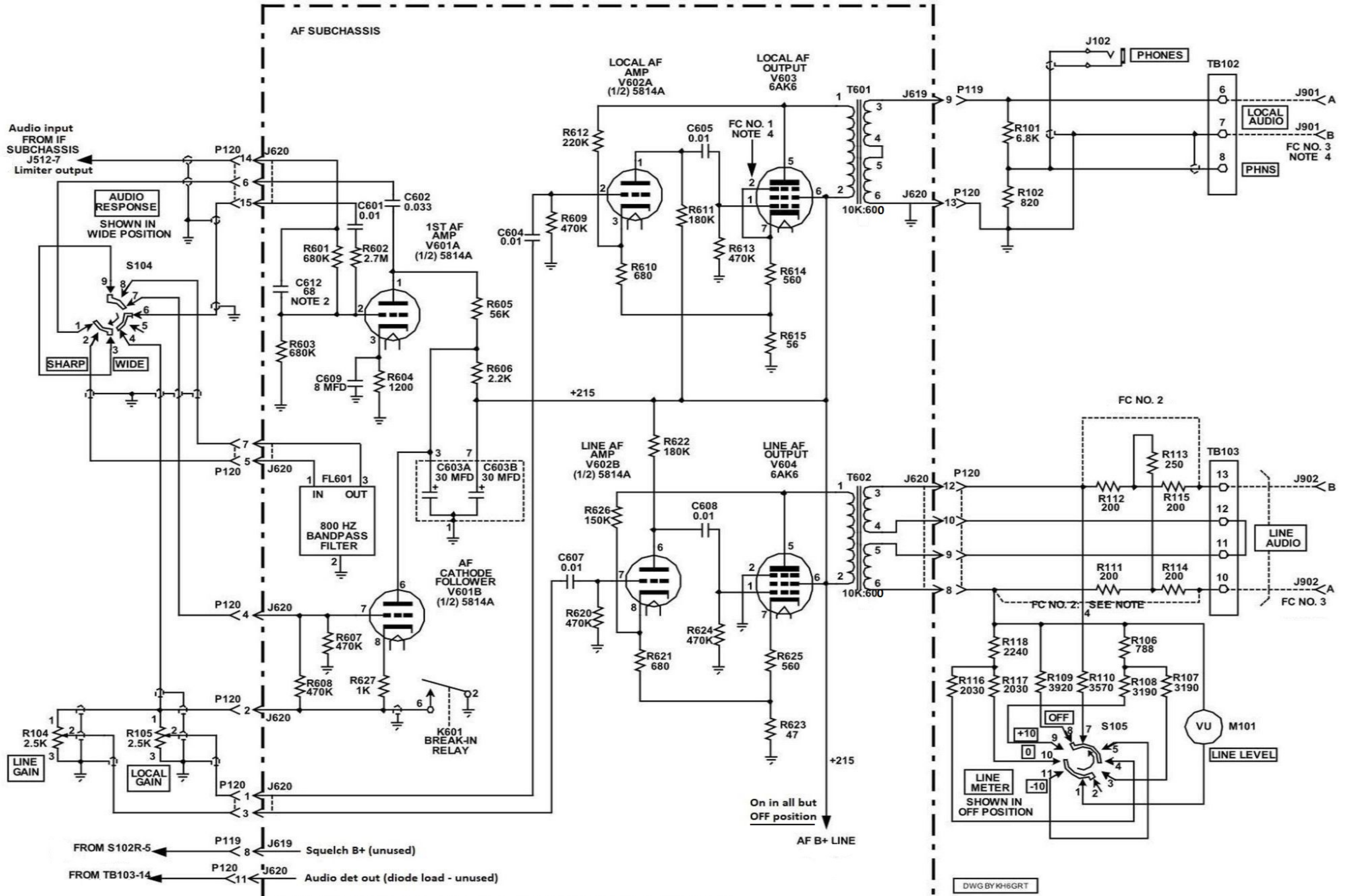
Updated 11/21 Larry Haney



Navy mod Diode load to front panel
Squelch To P119-8 - not used
To audio amp input

IF Subchassis P3/3

Updated 11/21 Larry Haney



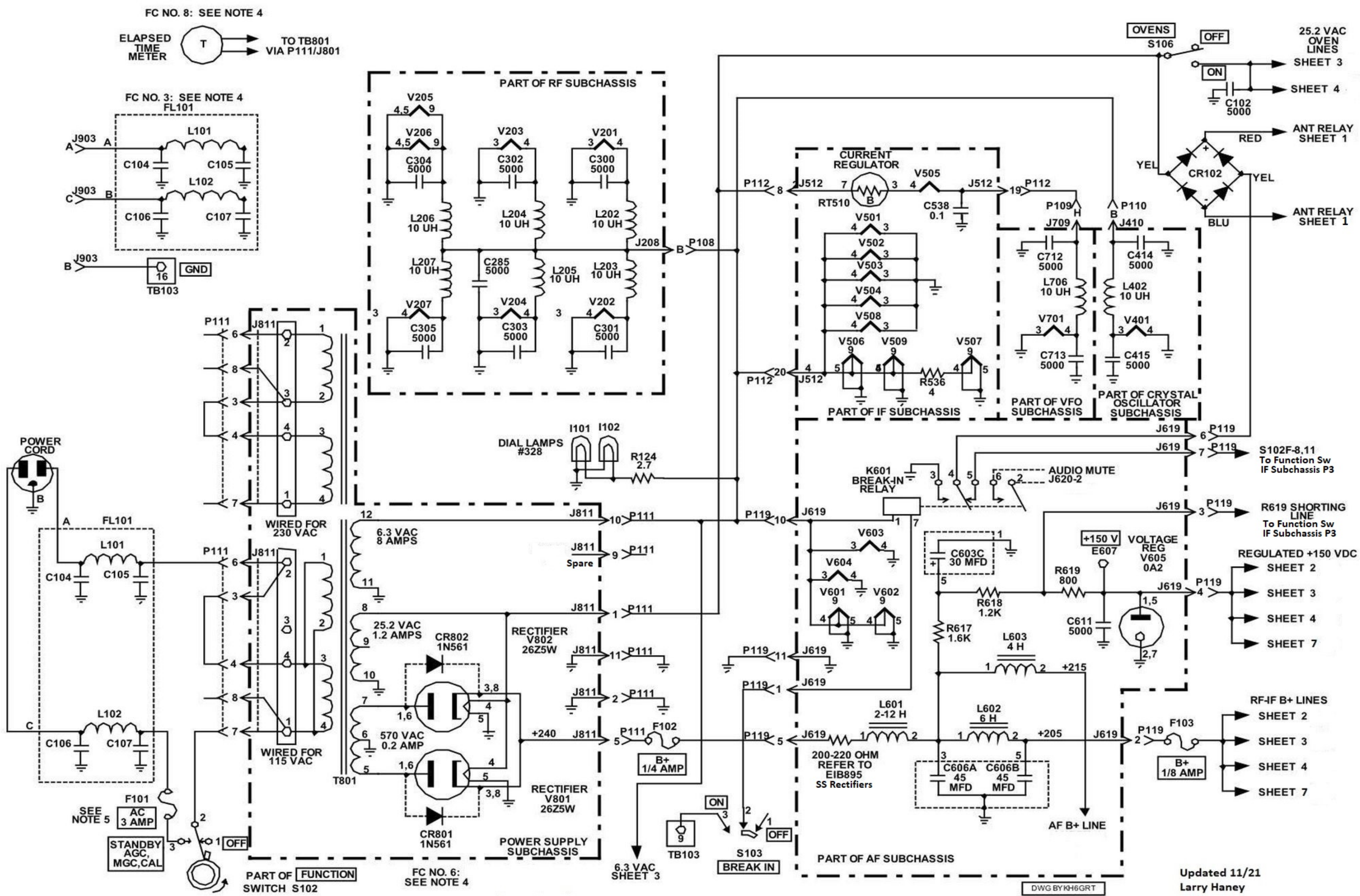
FROM S102R-5 ← P119 ← J619 Squelch B+ (unused)
 FROM TB103-14 ← P120 ← J620 Audio det out (diode load - unused)

Courtesy of Pete Wokoun

Audio circuit

DWG BY KH6GRT

Updated 11/21 by Larry Haney



POWER SUPPLY

Updated 11/21
Larry Haney

DWG BY KH6GRT