

ELPRO-  
SERVICE  
GmbH

**TEC**<sup>®</sup>

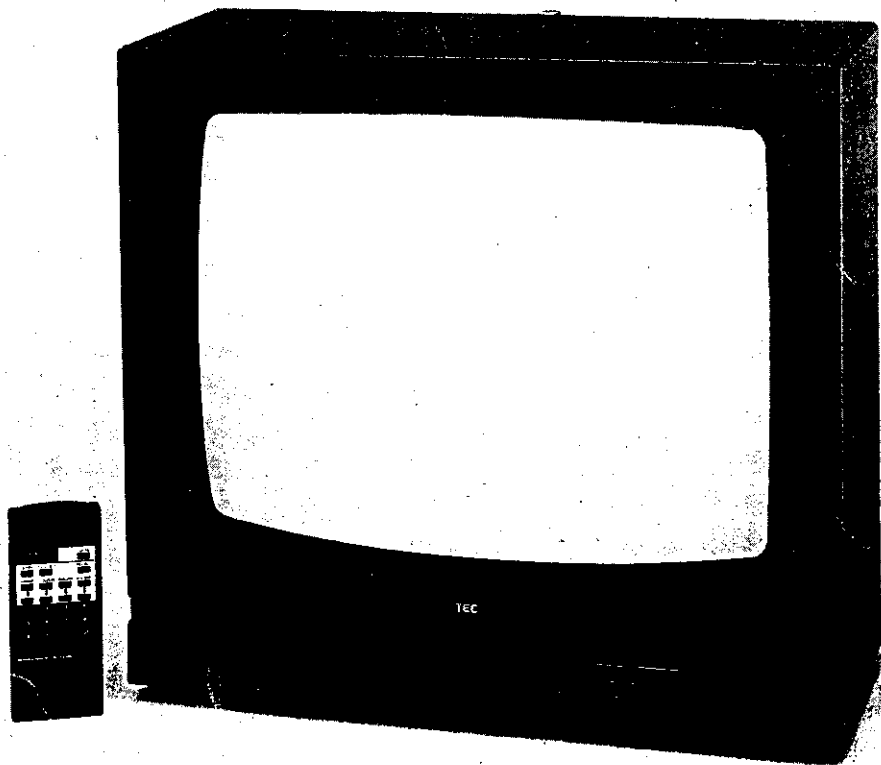
**Technik zum Anfassen**

# Service-Unterlagen

37k

**TEC 5163 VR**  
Service Nr. 31-048-1-3

**TEC 5165 DK**  
Service Nr. 31-050-1-3

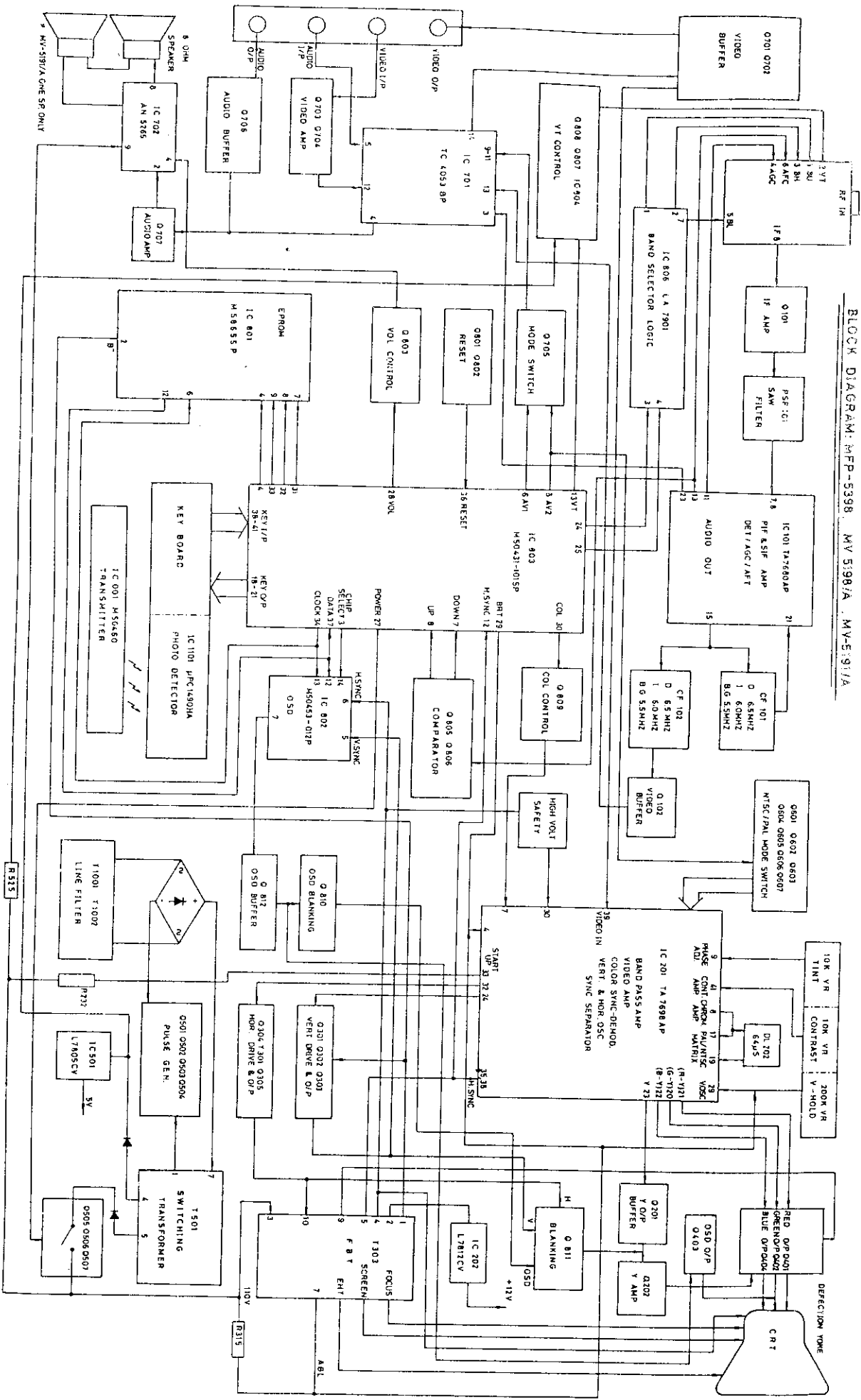


**ELPRO-Service GmbH** · Telefon (06 11) 50 68-80

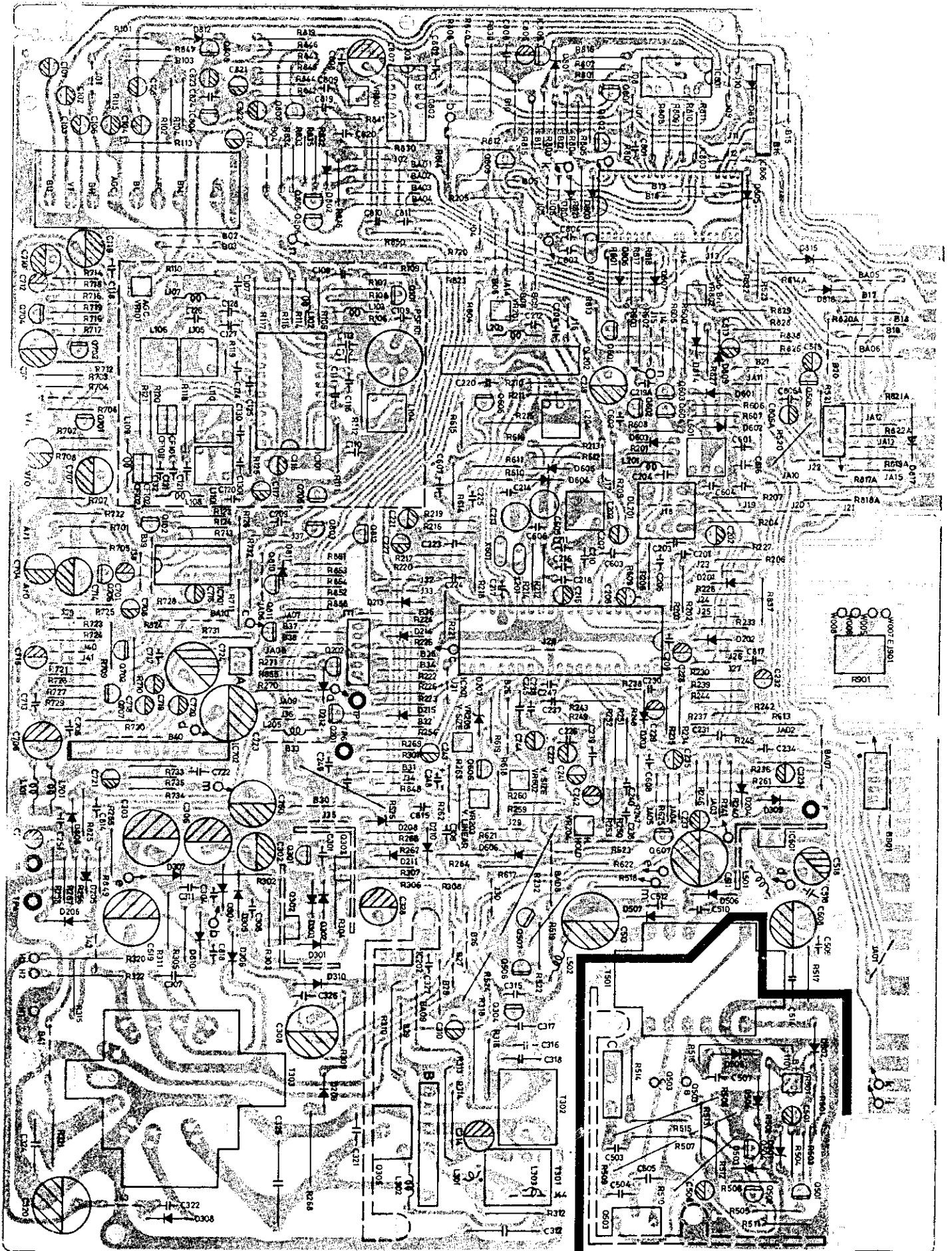
Rostocker Straße 8 · 6200 Wiesbaden-Bierstadt · Fax (06 11) 50 68-36 · Telex 04186 560

BLOCK DIAGRAM: MFP-5398 MV-5198/A MV-5191/A

BLOCK DIAGRAM

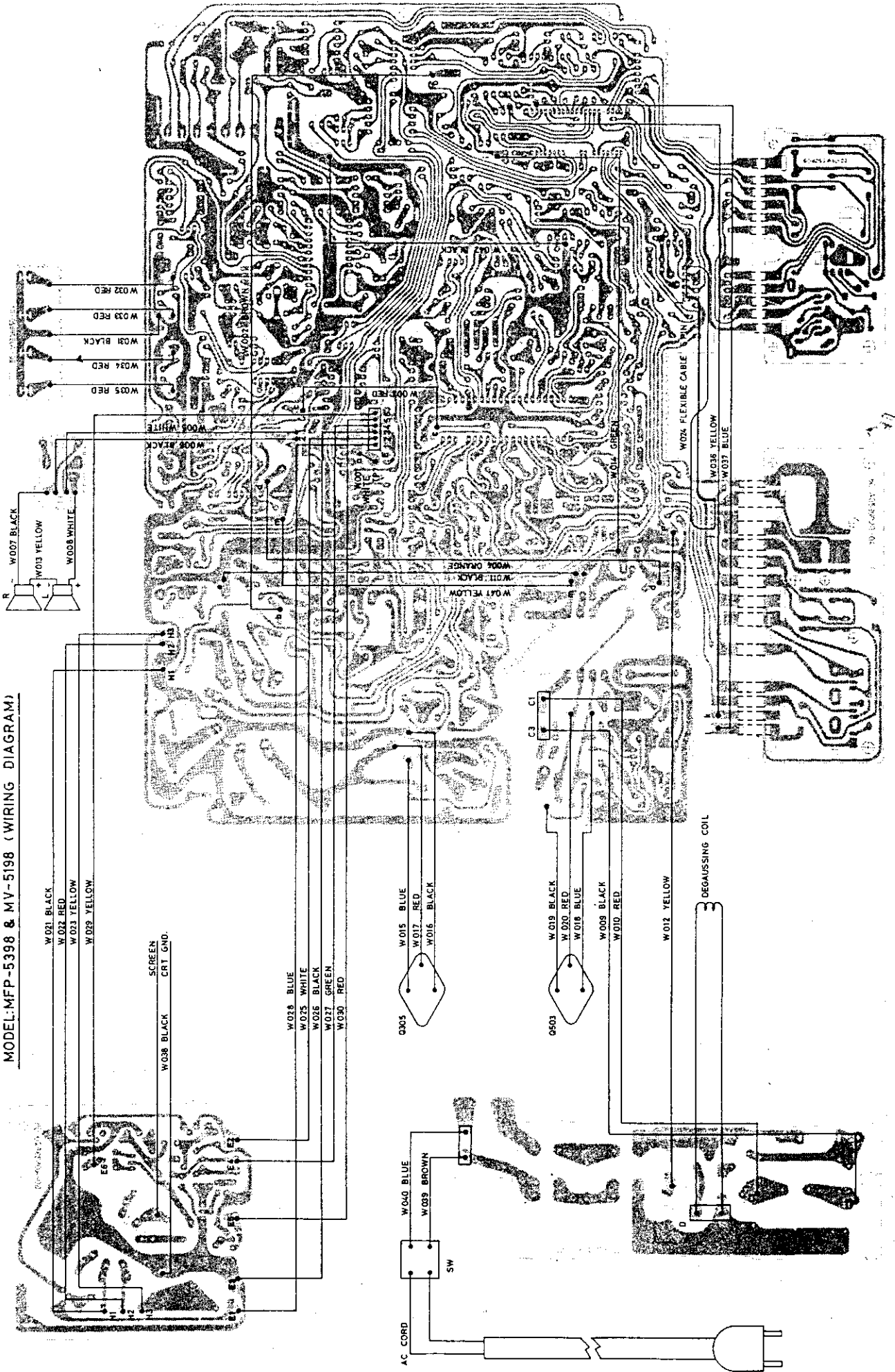


# MAIN BOARD



# WIRING DIAGRAM

MODEL: MFP-5398 & MV-5198 (WIRING DIAGRAM)



**WARNING:**

Before servicing this chassis, read the X-RAY RADIATION PRECAUTION & PRODUCTS SAFETY NOTICE of this manual.

**CAUTION:**

The shaded areas in the schematic diagram and the parts list designate components which have special characteristics important for safety and should be replaced only with types identical to those in the original circuit or specified in the parts list. Before replacing any of these components, read carefully the PRODUCT SAFETY NOTICE of the manual. Do not degrade the safety of the receiver through improper servicing.

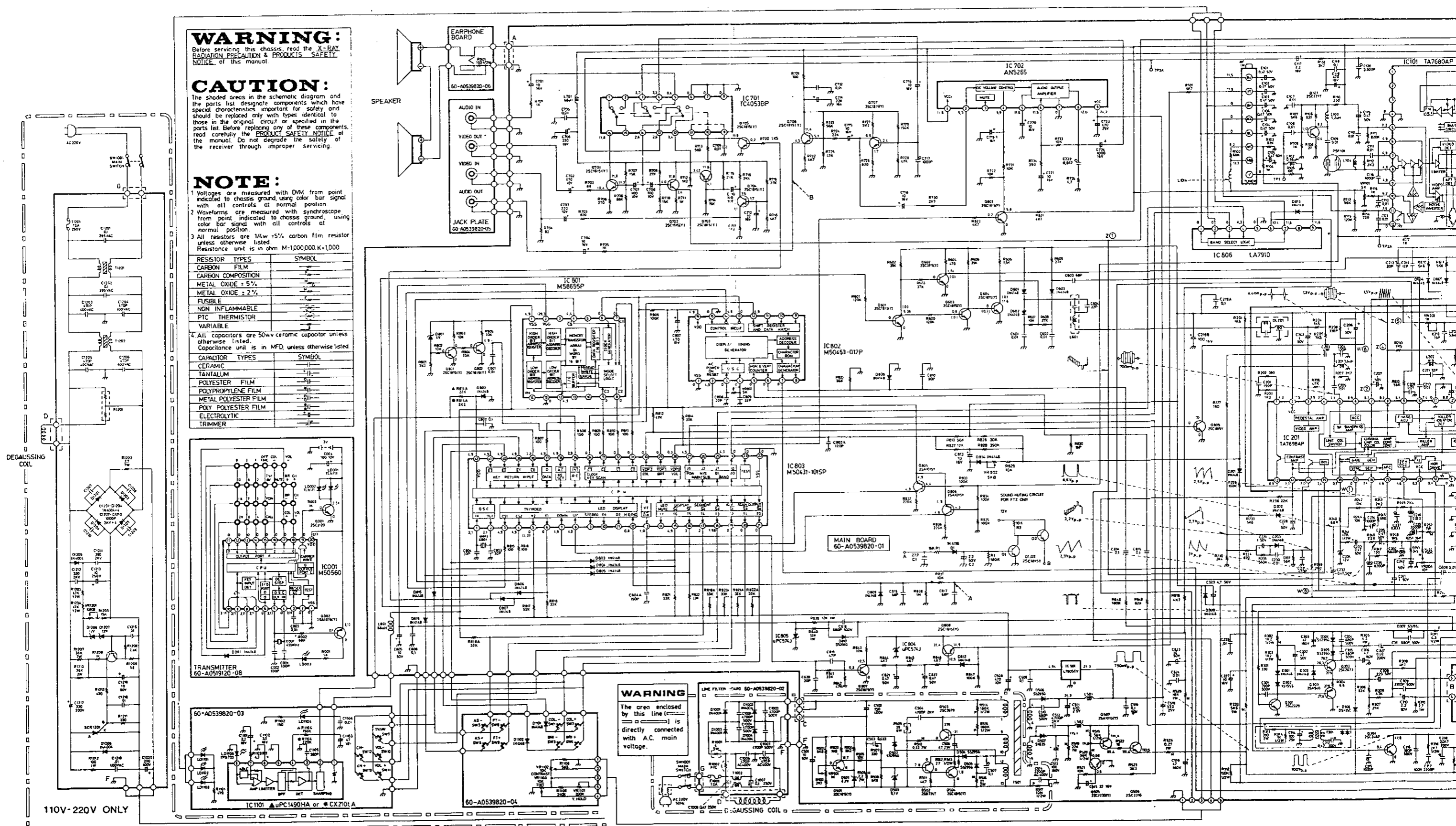
**NOTE:**

- 1 Voltages are measured with DVM from point indicated to chassis ground, using color bar signal with all controls at normal position.
- 2 Waveforms are measured with synchroscope from point indicated to chassis ground, using color bar signal with all controls at normal position.
- 3 All resistors are 1/4w ±5% carbon film resistor unless otherwise listed. Resistance unit is in ohm, M=1,000,000, K=1,000.

RESISTOR TYPES	SYMBOL
CARBON FILM	—
CARBON COMPOSITION	—
METAL OXIDE ± 5%	—
METAL OXIDE ± 2%	—
FUSIBLE	—
NON INFLAMMABLE	—
PTC THERMISTOR	—
VARIABLE	—

- 4 All capacitors are 50wv ceramic capacitor unless otherwise listed. Capacitance unit is in mfd, unless otherwise listed.

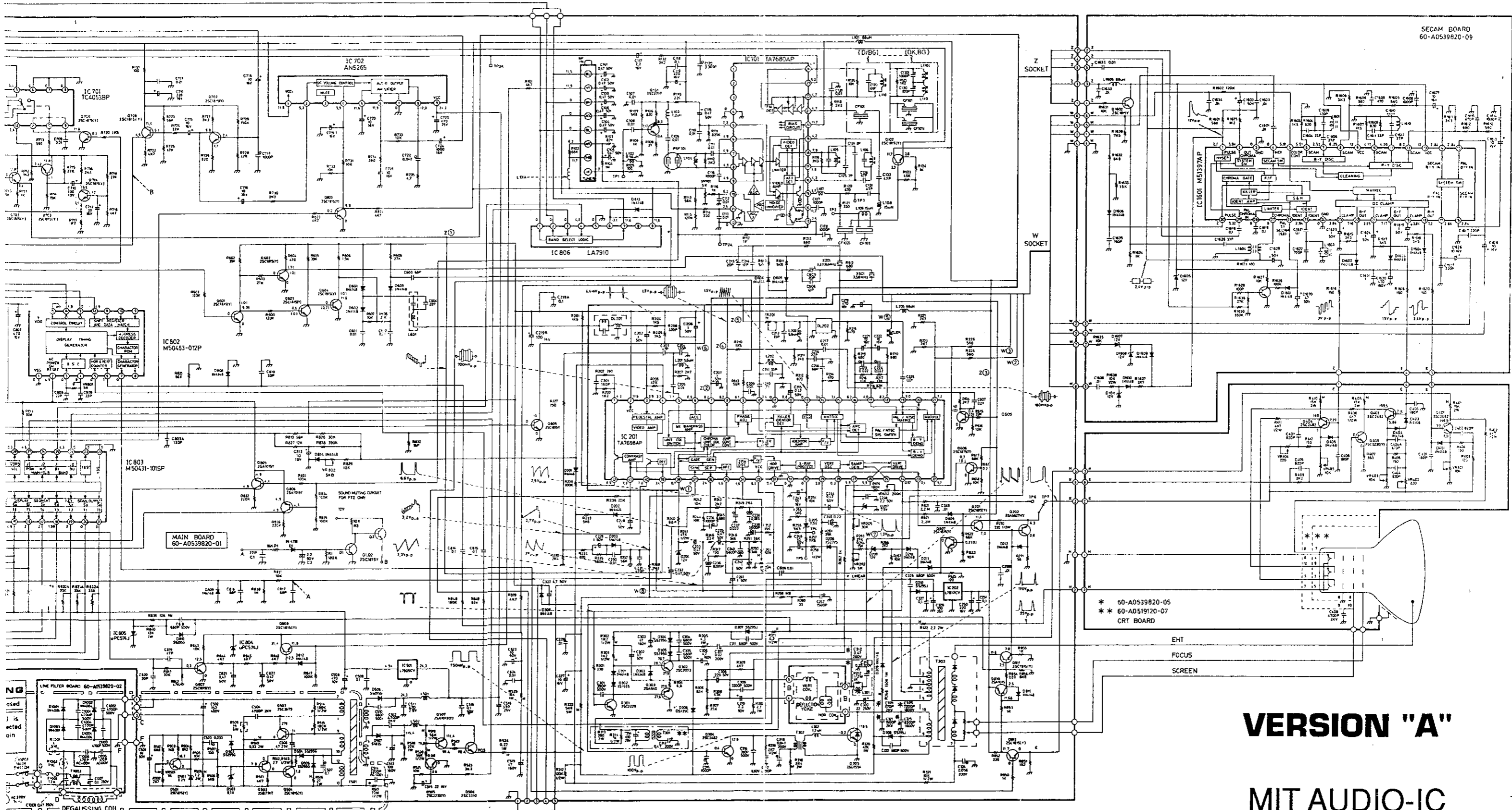
CAPACITOR TYPES	SYMBOL
CERAMIC	—
TANTALUM	—
POLYESTER FILM	—
POLYPROPYLENE FILM	—
METAL POLYESTER FILM	—
POLY POLYESTER FILM	—
ELECTROLYTIC	—
TRIMMER	—



**WARNING:**

The area enclosed by this line ( ) is directly connected with A.C. main voltage.

110V-220V ONLY



**VERSION "A"**  
**MIT AUDIO-IC**  
**AN 52 65**



# WARNING:

Before servicing this chassis, read the X-RAY RADIATION PRECAUTION & PRODUCTS SAFETY NOTICE of this manual.

# CAUTION:

The shaded areas in the schematic diagram and the parts list designate components which have special characteristics important for safety and should be replaced only with types identical to those in the original circuit or specified in the parts list. Before replacing any of these components, read carefully the PRODUCT SAFETY NOTICE of the manual. Do not degrade the safety of the receiver through improper servicing.

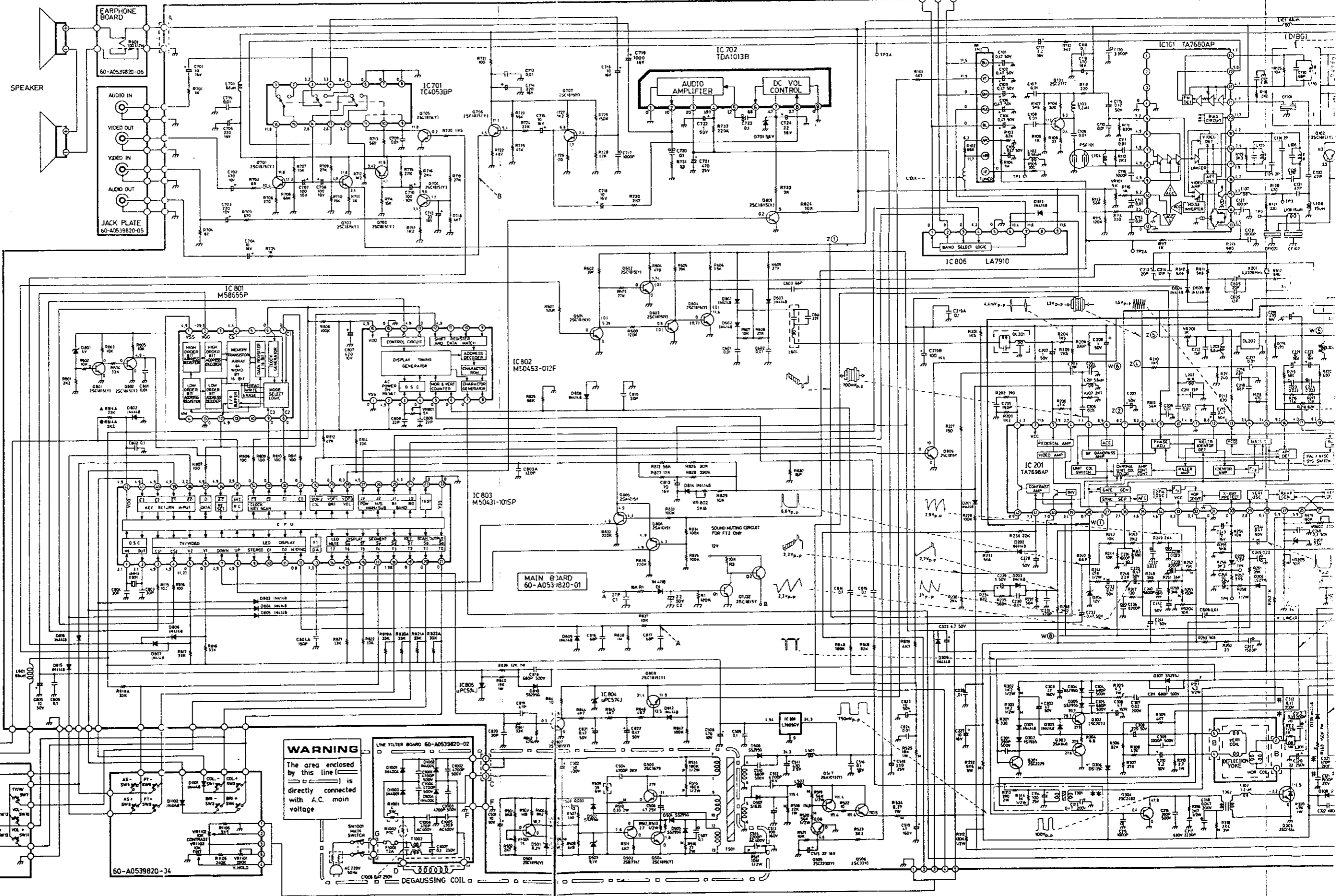
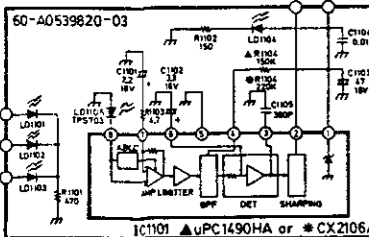
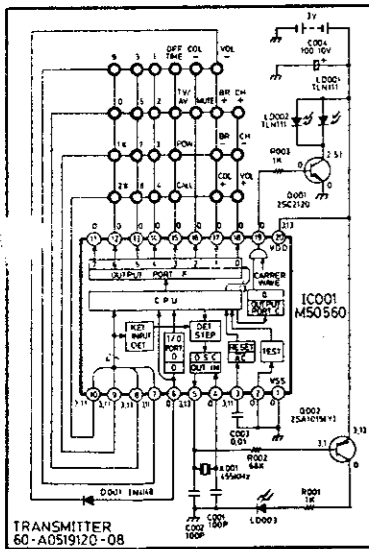
# NOTE:

1. Voltages are measured with DVM from point indicated to chassis ground, using color bar signal with all controls at normal position.
2. Waveforms are measured with synchroscope from point indicated to chassis ground, using color bar signal with all controls at normal position.
3. All resistors are 1/4w ±5% carbon film resistor unless otherwise listed. Resistance unit is in ohm M=1,000,000 K=1,000.

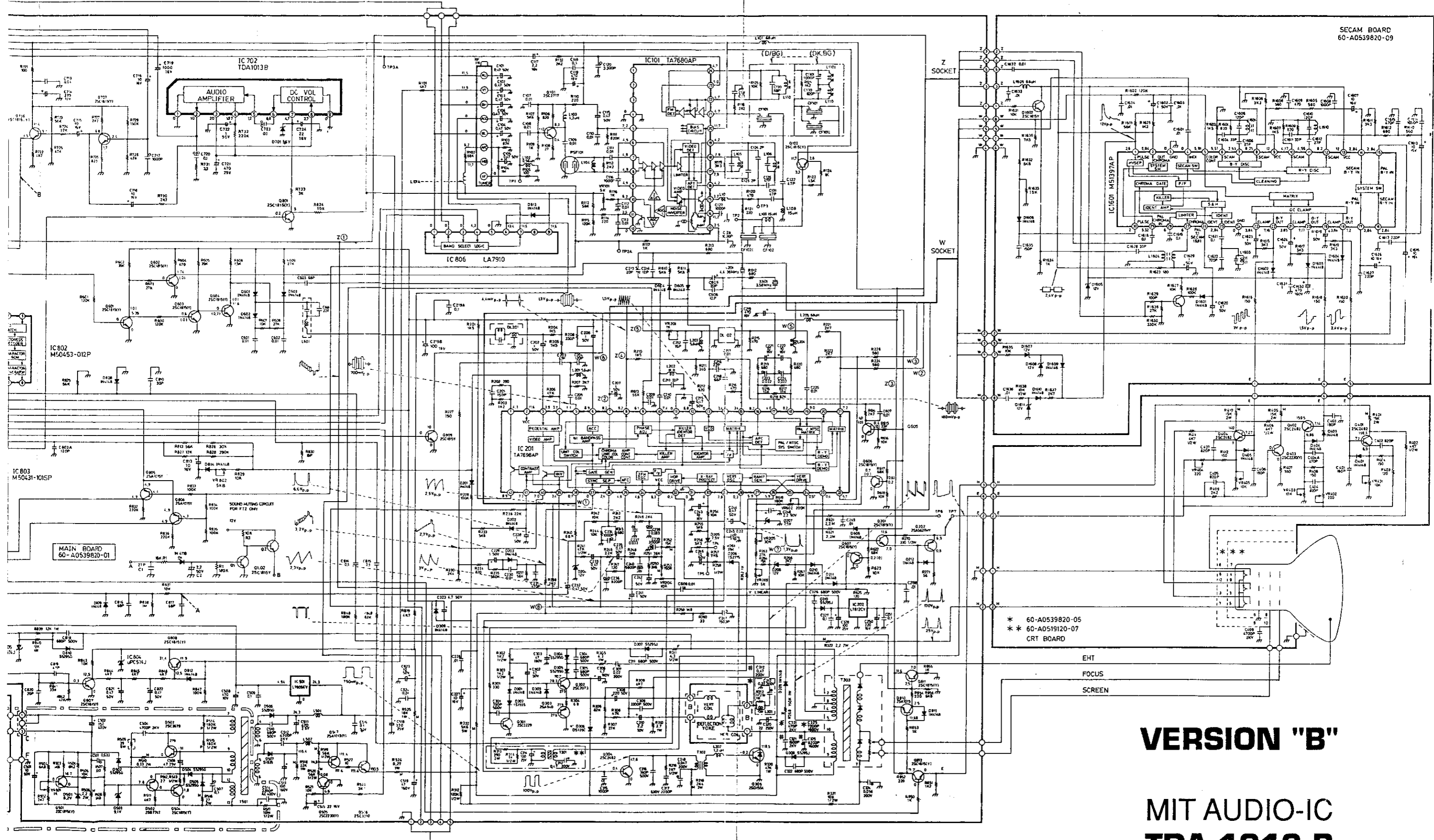
RESISTOR TYPES	SYMBOL
50N FILM	
50N COMPOSITION	
METAL OXIDE ± 5%	
METAL OXIDE ± 2%	
FUSIBLE	
NON INFLAMMABLE	
PTC THERMISTOR	
VARIABLE	

4. All capacitors are 50wv ceramic capacitor unless otherwise listed. Capacitance unit is in MFD unless otherwise listed.

CAPACITOR TYPES	SYMBOL
CERAMIC	
TANTALUM	
POLYESTER FILM	
POLYPROPYLENE FILM	
METAL POLYESTER FILM	
POLY POLYESTER FILM	
ELECTROLYTIC	
TRIMMER	



**WARNING**  
The area enclosed by this line is directly connected with A.C. main voltage



\* 60-A0539820-05  
\* 60-A0519120-07  
CRT BOARD

**VERSION "B"**  
**MIT AUDIO-IC**  
**TDA 1013 B**

EHT  
FOCUS  
SCREEN