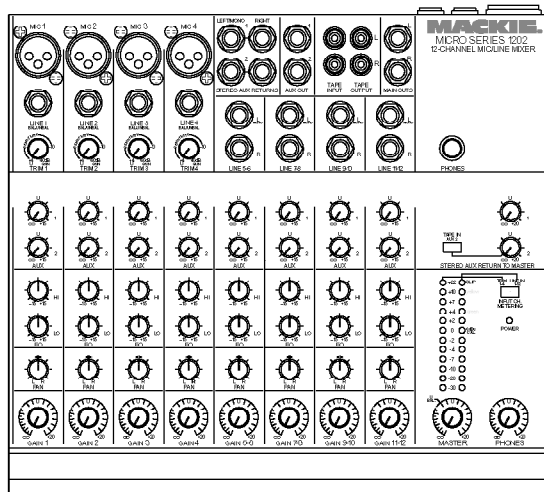


MACKIE®


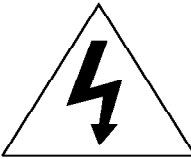
12-CHANNEL MIC/LINE MIXER



SERVICE MANUAL



	SERVICE ON THIS EQUIPMENT IS TO BE PERFORMED BY EXPERIENCED REPAIR TECHNICIANS ONLY <i>CONFIER L'ENTRETIEN AU PERSONNEL QUALIFIE</i>	
---	--	---

	CAUTION AVIS RISK OF ELECTRIC SHOCK DO NOT OPEN <i>RISQUE DE CHOC ELECTRIQUE NE PAS OUVRIR</i>	
---	--	---

CAUTION: TO REDUCE THE RISK OF ELECTRIC SHOCK DO NOT REMOVE THE COVER (OR BACK) NO USER SERVICEABLE PARTS INSIDE REFER SERVICING TO QUALIFIED PERSONNEL

WARNING: TO REDUCE THE RISK OF FIRE OR ELECTRIC SHOCK, DO NOT EXPOSE THIS PRODUCT TO RAIN OR MOISTURE

TO PREVENT ELECTRIC SHOCK, DO NOT USE THIS POLARIZED PLUG WITH AN EXTENSION CORD, RECEPTACLE OR OTHER OUTLET UNLESS THE BLADES CAN BE FULLY INSERTED TO PREVENT BLADE EXPOSURE.

ATTENTION: POUR EVITER LES RISQUES DE CHOC ELECTRIQUE, NE PAS ENLEVER LE COUVERCLE. AUCUN ENTRETIEN DE PIECES INTERIEURES PAR L'USAGER. CONFIER L'ENTRETIEN AU PERSONNEL QUALIFIE.

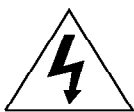
AVIS: POUR EVITER LES RISQUES D'INCENDIE OU D'ELECTROCUTION, N'EXPOSEZ PAS CET ARTICLE A LA PLUIE OU A L'HUMIDITE.

POUR PREVENIR LES CHOCES ELECTRIQUES NE PAS UTILISER CETTE FICHE POLARISEE AVEC UN PROLONGATEUR, UN PRISE DE COURANT OU UNE AUTRE SORTIE DE COURANT, SAUF SI LES LAMES PEUVENT ETRE INSEREES A FOND SANS LAISSER AUCUNE PARTIE A DECOUVERT.

This apparatus does not exceed the Class A/Class B (whichever is applicable) limits for radio noise emissions from digital apparatus as set out in the radio interference regulations of the Canadian Department of Communications.

ATTENTION :Le présent appareil numérique n'émet pas de bruits radioélectriques dépassant les limites applicables aux appareils numériques de class A/de class B (selon le cas) prescrites dans le règlement sur le brouillage radioélectrique édicté par les ministere des communications du Canada.

This equipment has been tested and found to comply with the limits for a Class A digital device, pursuant to part 15 of the FCC rules. These limits are designed to provide reasonable protection against harmful interference when the equipment is operated in a commercial environment. This equipment generates, uses, and can radiate radio energy and, if not installed properly and used in accordance with the instruction manual, may cause harmful interference to radio communications. Operation of this equipment in a residential area is likely to cause harmful interference in which case the user will be required to correct the interference at his own expense.



The lightning flash with arrowhead symbol within an equilateral triangle is intended to alert the user to the presence of uninsulated "dangerous voltage" within the product's enclosure, that may be of sufficient magnitude to constitute a risk of electric shock to persons.

Le symbole éclair avec point de flèche à l'intérieur d'un triangle équilatéral est utilisé pour alerter l'utilisateur de la présence à l'intérieur du coffret de "voltage dangereux" non isolé d'ampleur suffisante pour constituer un risque d'électrocution.



The exclamation point within an equilateral triangle is intended to alert the user of the presence of important operating and maintenance (servicing) instructions in the literature accompanying the appliance.

Le point d'exclamation à l'intérieur d'un triangle équilatéral est employé pour alerter les utilisateurs de la présence d'instructions importantes pour le fonctionnement et l'entretien (service) dans le livret d'instruction accompagnant l'appareil.

CONTENTS

INTRODUCTION	3
Technical Support	3
Disclaimer	3
BLOCK DIAGRAM	4
QUICK PARTS.....	5-6
FOLD-OUT SECTIONS:	
Schematics	07-1
PCB Layout.....	07-4

INTRODUCTION



This manual contains basic service information. It is essential that you have a copy of the user's manual as this contains the complete operating instructions.



SERVICE TECHNICAL ASSISTANCE

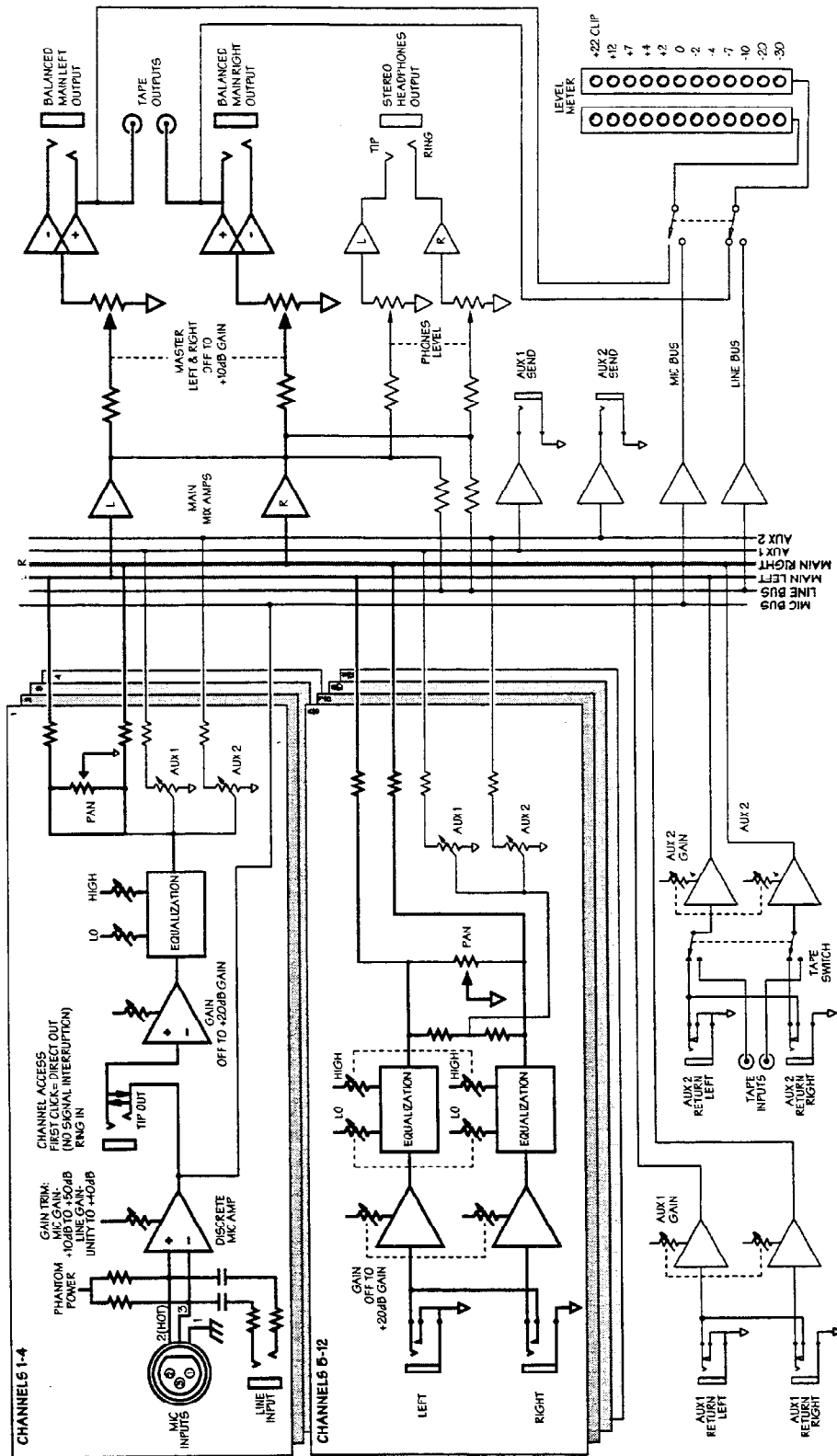
Mackie Designs, Service Technical Assistance, is available 8AM - 5PM PST, Monday through Friday for Authorized Mackie Service Centers, at 1-800-258-6883. Feel free to call with any questions and speak with a carefully-calibrated technician. If one is not available, leave a detailed message and a qualified Mackoid will return your call asap.

DISCLAIMER

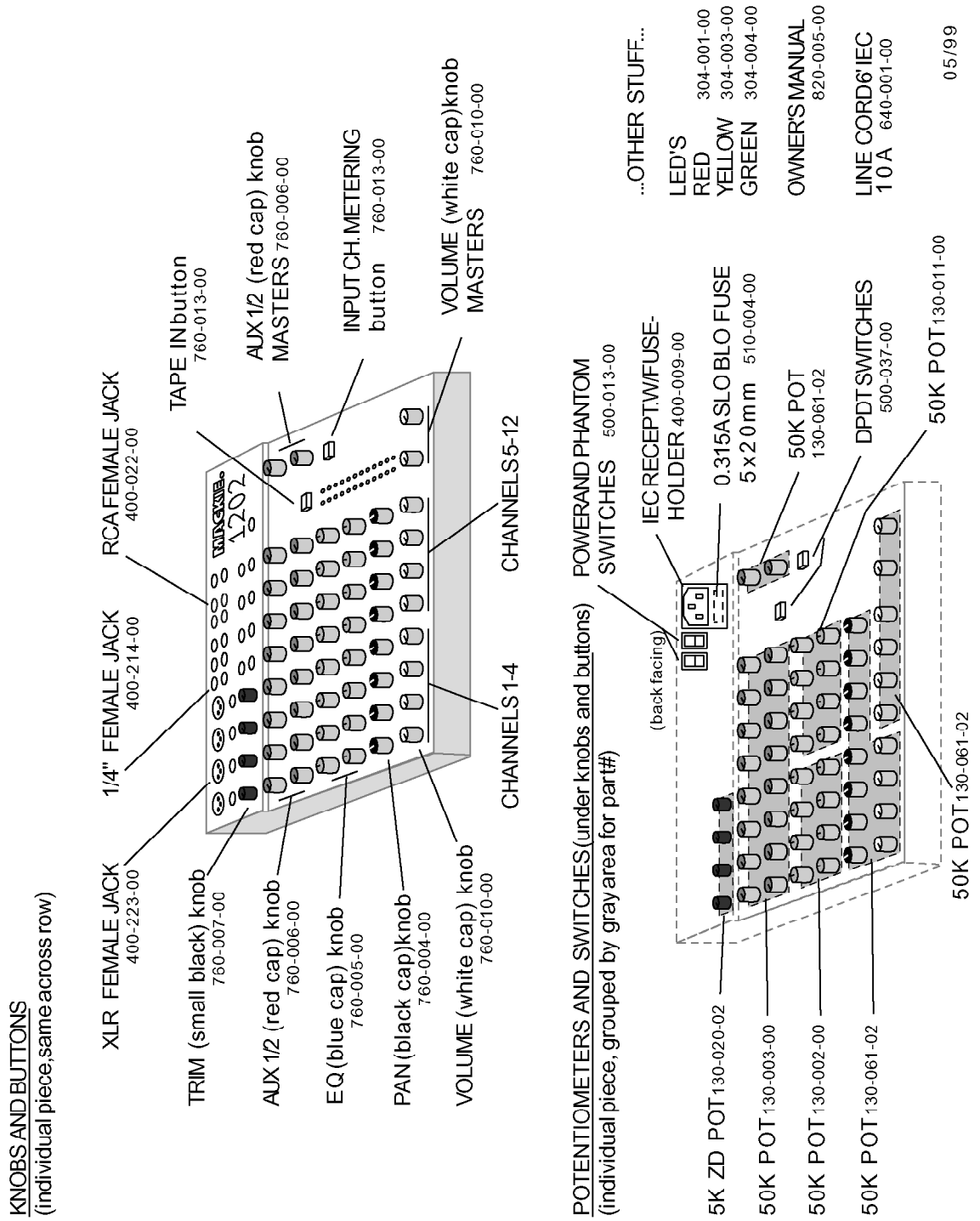
The information contained in this manual is proprietary to Mackie Designs, Inc. The entire manual is protected under copyright and may not be reproduced by any means without express written permission from Mackie Designs, Inc.



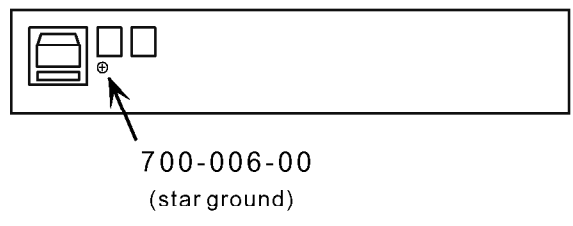
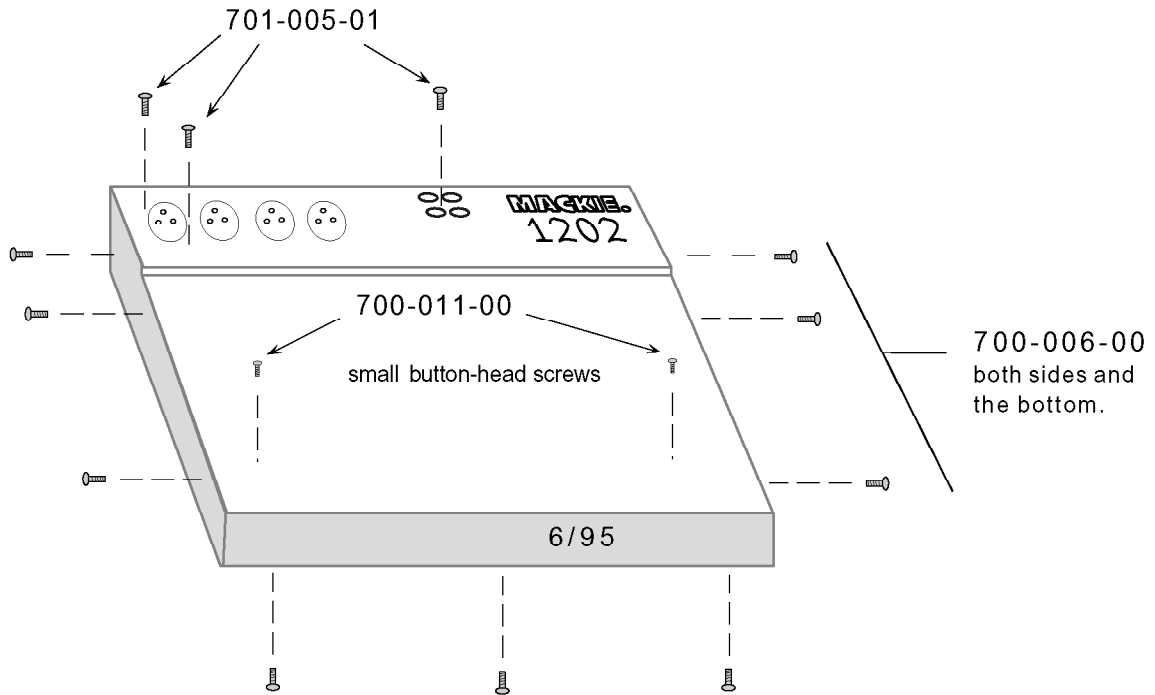
MACKIE MS1202 SERVICE MANUAL



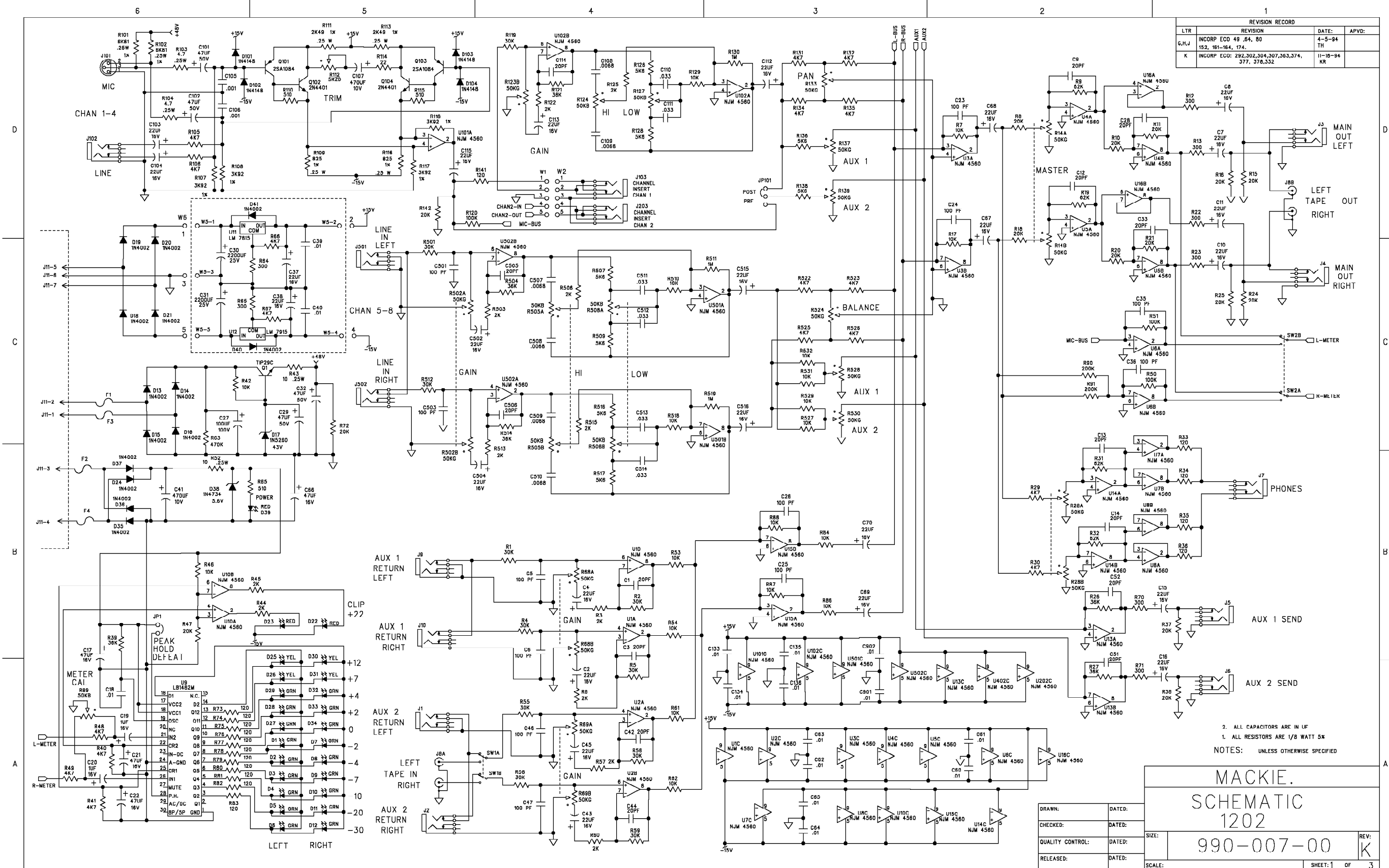
QUICK PARTS



QUICK SCREWS



REVISION RECORD			
LTR	REVISION	DATE:	APVD:
G.H.J	INCORP ECD 49, 54, 80	4-5-94	TH
K	INCORP ECD: 292,302,304,307,363,374, 152, 161-164, 174, 377, 378,332	11-16-94	KR



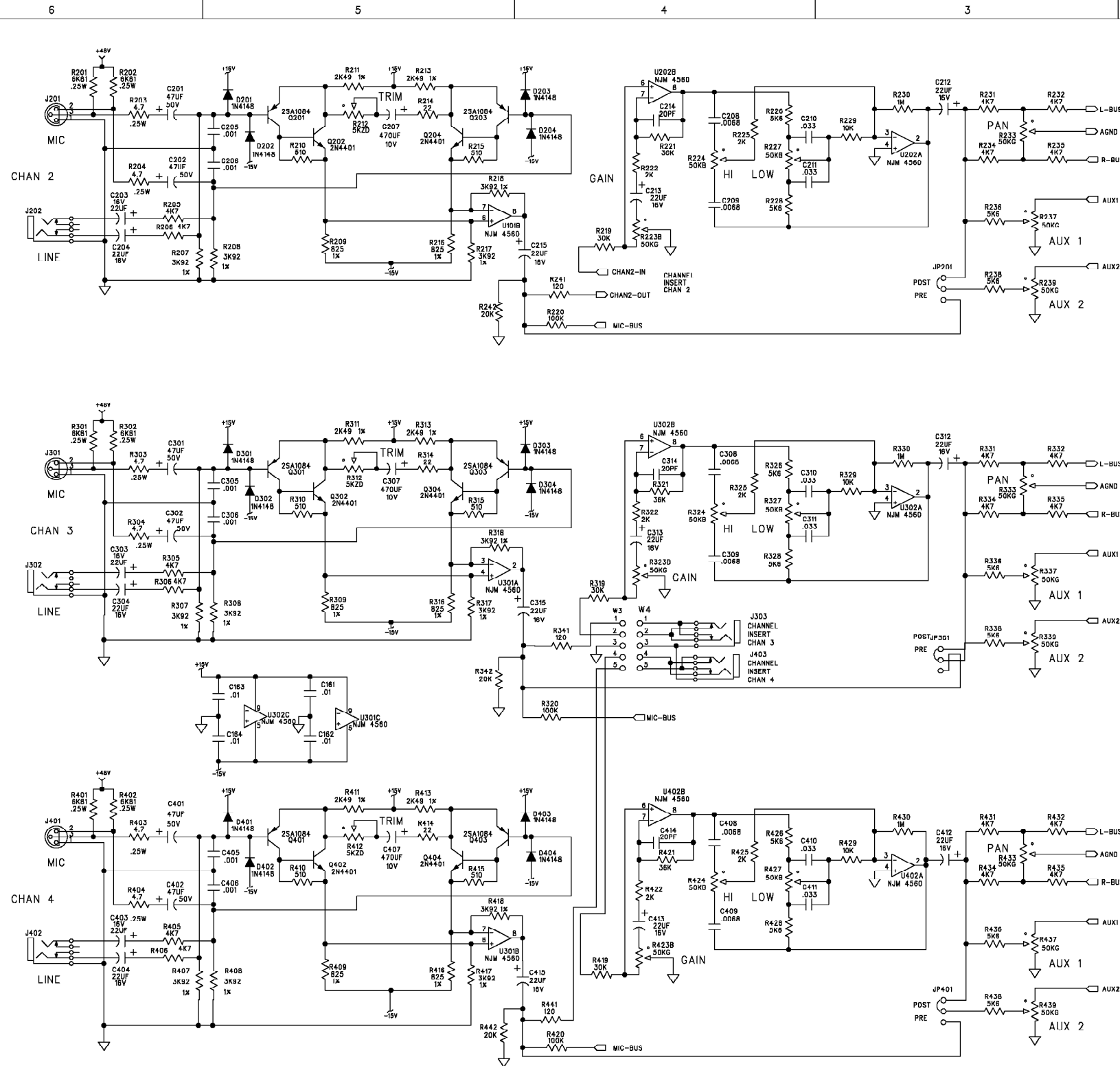
2. ALL CAPACITORS ARE IN UF
 1. ALL RESISTORS ARE 1/8 WATT 5%
 NOTES: UNLESS OTHERWISE SPECIFIED

MACKIE.
SCHEMATIC
1202

990-007-00

SCALE: _____ SHEET: 1 OF 3





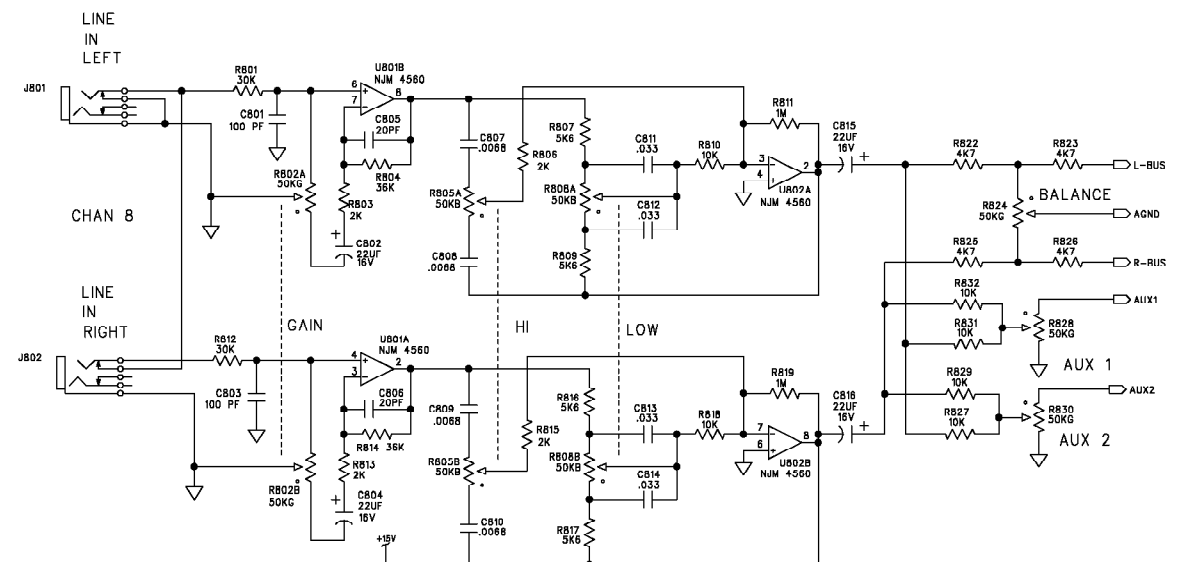
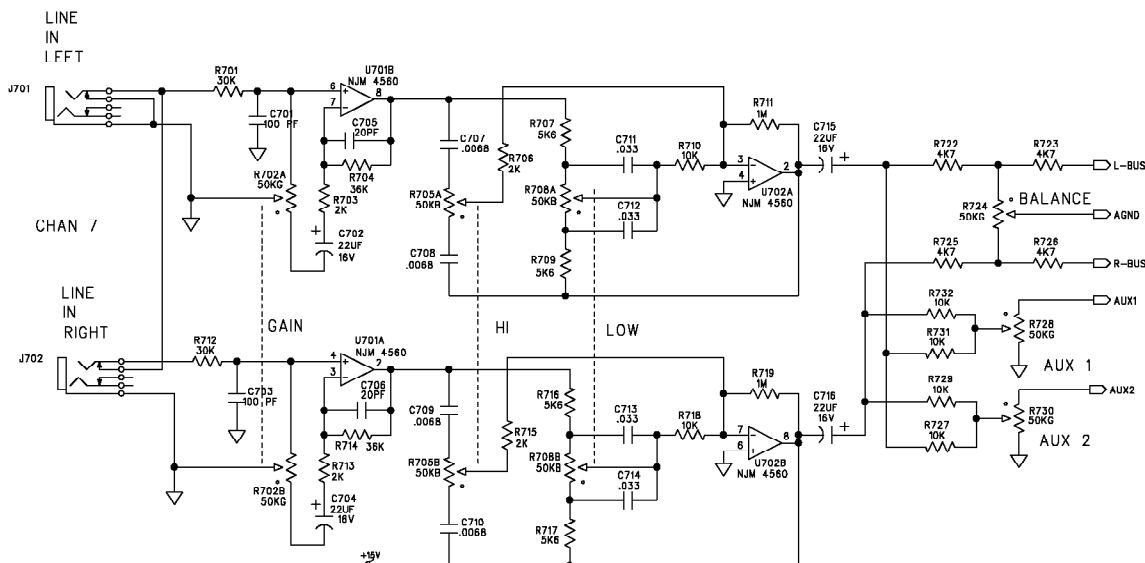
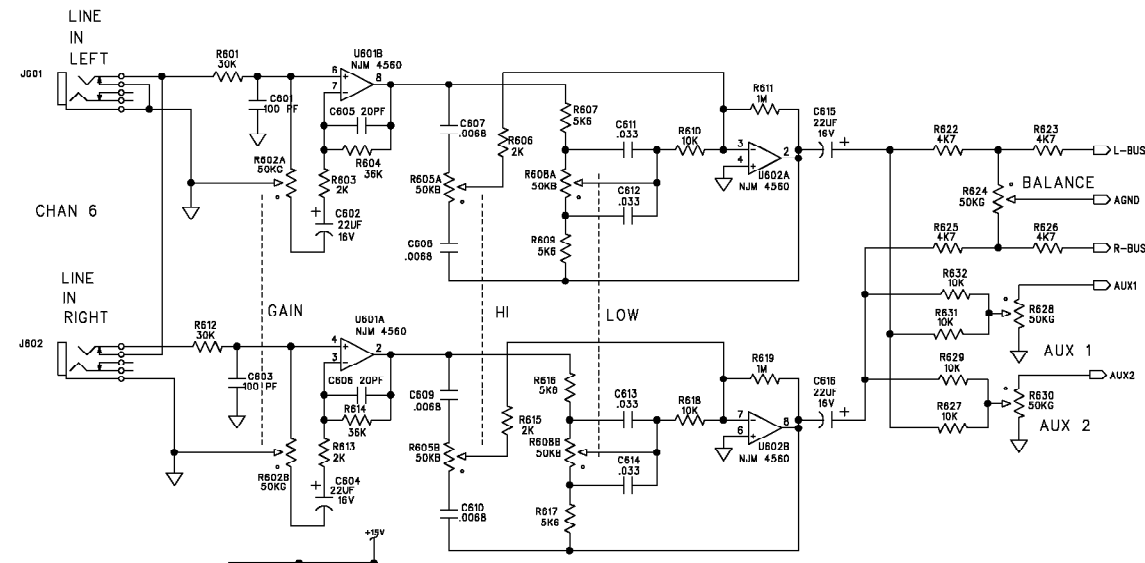
REVISION RECORD		
LTR	REVISION	DATE:
	SEE SHEET 1	

- 450-007-00 1202 CIRCUIT BOARD
- 700-011-00 SCREW BTN HD
- 700-011-00 SCREW BTN HD
- 760-003-00 BUTTON SW 9X5 MM
- 760-003-00 BUTTON SW 9X5 MM
- 700-012-00 SCREW PHP 4-40 X 3/8
- 700-012-00 SCREW PHP 4-40 X 3/8
- 706-008-00 STANDOFF NYLON BIVAR
- 706-008-00 STANDOFF NYLON BIVAR
- 706-008-00 STANDOFF NYLON BIVAR
- 706-008-00 STANDOFF NYLON BIVAR
- 706-008-00 STANDOFF NYLON BIVAR
- 706-008-00 STANDOFF NYLON BIVAR
- 706-008-00 STANDOFF NYLON BIVAR
- 706-008-00 STANDOFF NYLON BIVAR
- 706-008-00 STANDOFF NYLON BIVAR
- 706-008-00 STANDOFF NYLON BIVAR
- 706-008-00 STANDOFF NYLON BIVAR
- 706-008-00 STANDOFF NYLON BIVAR
- 706-008-00 STANDOFF NYLON BIVAR
- 706-008-00 STANDOFF NYLON BIVAR
- 706-008-00 STANDOFF NYLON BIVAR
- 706-008-00 STANDOFF NYLON BIVAR
- 706-008-00 STANDOFF NYLON BIVAR
- 706-008-00 STANDOFF NYLON BIVAR
- 706-008-00 STAND OFF SWAGE
- 706-008-00 STAND OFF SWAGE
- 706-007-00 STAND OFF
- 706-007-00 STAND OFF
- 706-007-00 STAND OFF
- 706-007-00 STAND OFF
- 706-007-00 STAND OFF
- 706-007-00 STAND OFF
- 706-007-00 STAND OFF
- 706-007-00 STAND OFF
- 705-005-00 KEPNUT
- 705-005-00 KEPNUT

- 550-028-00 HEAT SINK
- 560 028 00 HEAT SINK

DRAWN: CHUCK		DATED: 8-8-81	
CHECKED:		DATED:	
QUALITY CONTROL:		DATED:	
RELEASED:		DATED:	
SCHEMATIC 1202		SIZE	REV: K
		990-007-00	
SCALE:		SHEET: 2 OF 3	

REVISION RECORD		
LTR	ECO NO:	DATE:
	SEE SHEET 1	



DRAWN: CHUCK		DATED: 0-0-91	
CHECKED:		DATED:	
QUALITY CONTROL:		DATED:	
RELEASED:		DATED:	

MACKIE.		
SCHEMATIC 1202		
SIZE:	DRAWING NO: 990-007-00	REV: K
SCALE:	SHEET: 3 OF 3	

