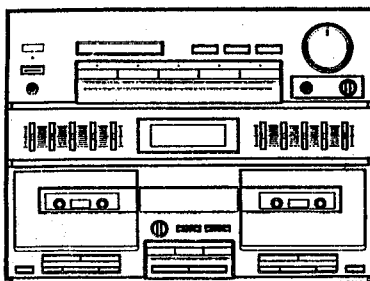


Service Manual

PIONEER®
The Art of Entertainment



ORDER NO.
ARP2170

STEREO DOUBLE CASSETTE DECK AMPLIFIER

DC-Z74

DC-Z74 HAS THE FOLLOWING :

Type	Power Requirement	Remarks
SD	AC110V, 120V-127V, 220V, 240V (Switchable)	
YPW	AC240V only	

- This manual is applicable to the DC-Z74/SD and YPW types.
- As to the YPW type, refer to pages 49-52.
- This product is a component of a system. As to the system composition, refer to the system manual.
- For adjustment refer to ADJUSTMENTS FOR XD-Z54T, XD-Z84T, DC-Z94, DC-Z84 and DC-Z74 (ARP2140).

CONTENTS

1. EXPLODED VIEWS, PACKING AND PARTS LIST.....	2	3. P.C.B 's PARTS LIST	44
2. SCHEMATIC DIAGRAM AND P.C.BOARDS CONNECTION DIAGRAM	12	4. FOR YPW TYPE	49
		5. PANEL FACILITIES	53
		6. SPECIFICATIONS.....	55

PIONEER ELECTRONIC CORPORATION 4-1, Meguro 1-Chome, Meguro-ku, Tokyo 153, Japan
PIONEER ELECTRONICS SERVICE INC. P.O. Box 1760, Long Beach, California 90801 U.S.A.
PIONEER ELECTRONICS OF CANADA, INC. 505 Cochrane Drive, Markham, Ontario L3R 8E3 Canada
PIONEER ELECTRONIC [EUROPE] N.V. Keetberglaan 1, 2740 Beveren, Belgium
PIONEER ELECTRONICS AUSTRALIA PTY. LTD. 178-184 Boundary Road, Braeside, Victoria 3195, Australia TEL: [03] 580-9911
 © PIONEER ELECTRONIC CORPORATION 1991

1. EXPLODED VIEWS, PACKING AND PARTS LIST

NOTES:

- Parts without part number cannot be supplied.
- The Δ mark found on some component parts indicates the importance of the safety factor of the part. Therefore, when replacing, be sure to use parts of identical designation.
- Parts marked by "⊙" are not always kept in stock. Their delivery time may be longer than usual or they may be unavailable.

1.1 EXTERIOR AND PACKING

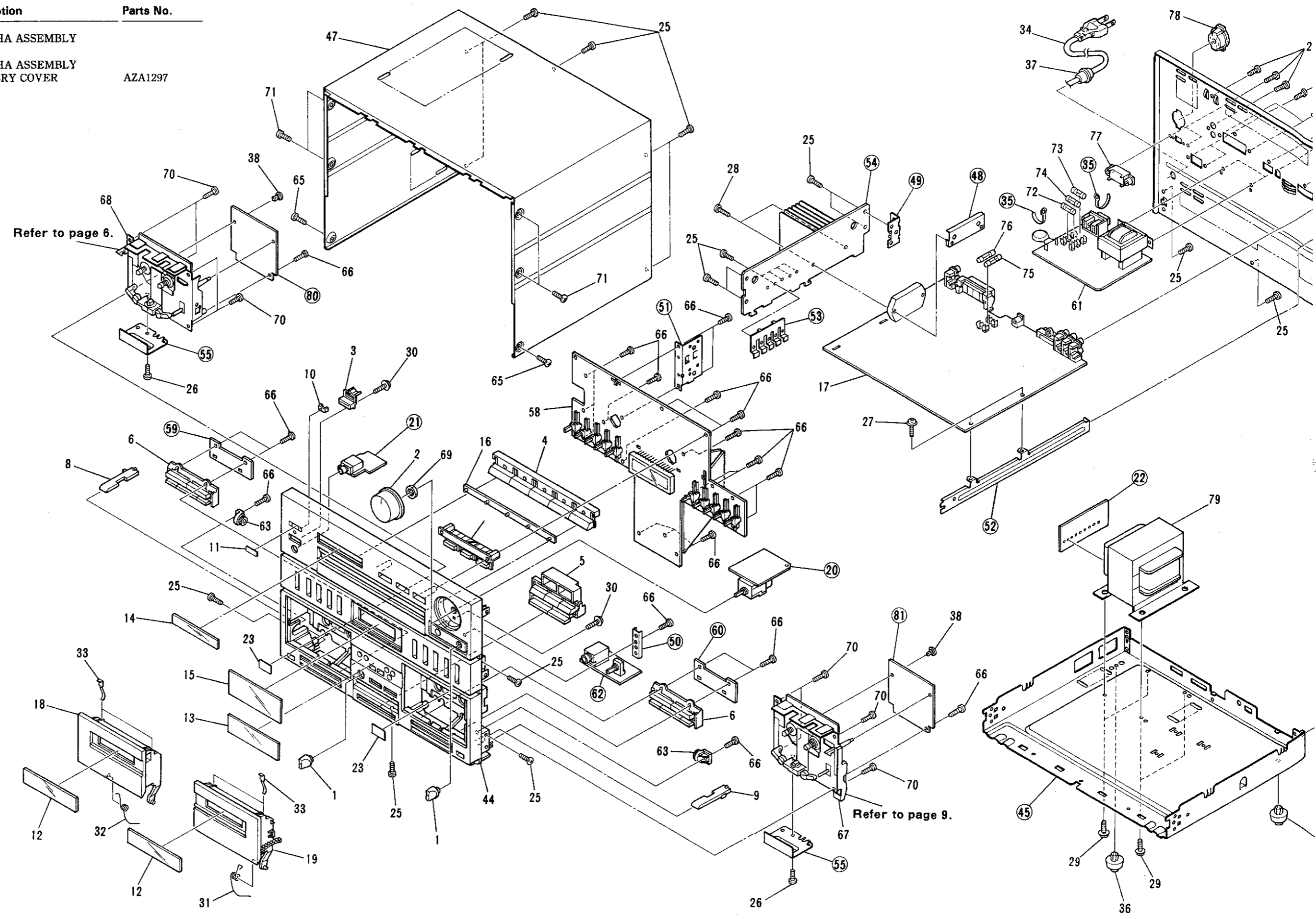
Parts list of Exterior and Packing

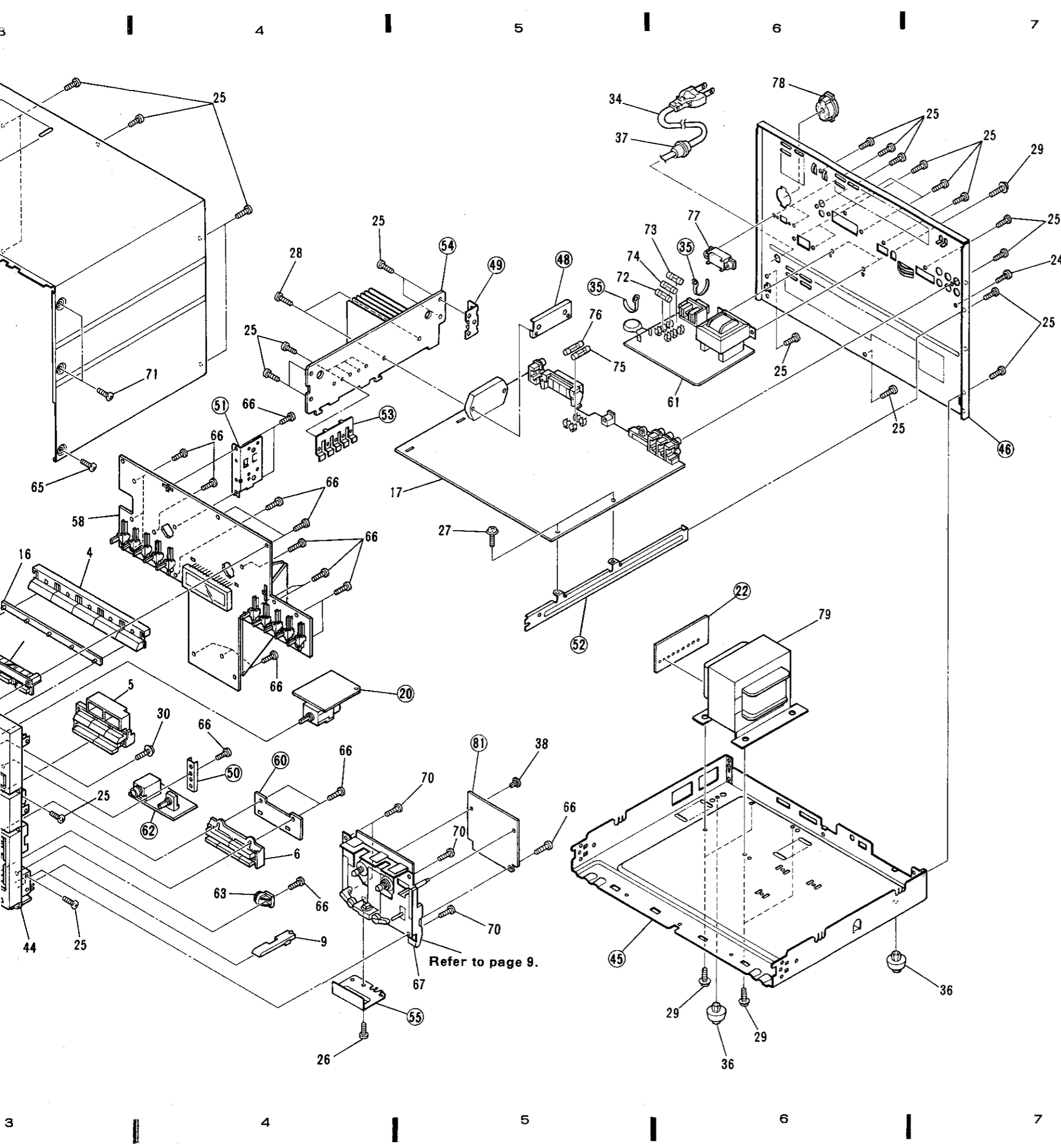
Mark	No.	Description	Parts No.	Mark	No.	Description	Parts No.
	1	ROTARY KNOB (DOLBY NR)	AAB1136		41	REAR PAD L, R	AHA1405
	2	VOL KNOB (VOLUME)	AAB1200		42	PACKING CASE	AHD1964
	3	POWER BUTTON	AAD1674		43	SHEET	
	4	FUNCTION BUTTON (PLS)	AAD1894		44	FRONT PANEL	AMB1740
	5	REC. COPY BUTTON (PLS)	AAD1895		45	CHASSIS	
	6	DECK PLAY BUTTON (PLS)	AAD1896		46	REAR PANEL	
	7	AI BUTTON (SMART OPERATION, SURROUND & STEREO WIDE)	AAD1897		47	BONNET	ANE1271
	8	EJECT BUTTON L (PLS)	AAD1898		48	PACK HOLDER	
	9	EJECT BUTTON R (PLS)	AAD1922		49	HEAT SINK HOLDER B	
	10	LENS (POWER IND.)	AAK1800		50	PRESSURE METAL	
	11	FILTER (REMOTE SENSOR)	AAK1812		51	HEAT SINK HOLDER A	
	12	DECORATIVE PLATE (DOOR)	AAK2065		52	PCB HOLDER	
	13	DECORATIVE PLATE A (DECK)	AAK2067		53	HOLDER	
	14	AI DECORATIVE PLATE	AAK2068		54	HEAT SINK	
	15	DECORATIVE PLATE (GEQ)	AAK2069		55	SHIELD PLATE (MECHA)	
	16	INDICATOR LENS	AAK2075		56	OPERATING INSTRUCTIONS (ENGLISH)	ARB1278
⊙	17	AF ASSEMBLY	AWZ3335	⊙	57	OPERATING INSTRUCTIONS (SPANISH)	ARC1232
	18	CASSETTE DOOR (R)	AAN1250		58	DISPLAY ASSEMBLY	AWZ3409
	19	CASSETTE DOOR (L)	AAN1251		59	1 MECHA SW ASSEMBLY	
	20	VR ASSEMBLY			60	2 MECHA SW ASSEMBLY	
	21	HEAD PHONE ASSEMBLY		⊙	61	SUB TRANS ASSEMBLY	AWR1058
	22	TRANS CONNECT ASSEMBLY			62	MIC ASSEMBLY	
	23	FABEL (PAPER)	AAX1301		63	DAMPER ASSEMBLY	AXA1008
	24	SCREW	ABA-222		64	REMOTE CONTROL UNIT (CU-DC021)	AXD1184
	25	SCREW	ABA-298		65	SCREW	BBZ30P080FZK
	26	SCREW (STEEL)	ABA1009		66	SCREW	BPZ26P080FMC
	27	SCREW (STEEL)	ABA1011		67	2 MECHA UNIT	EXK2010
	28	SCREW	ABA1018		68	1 MECHA UNIT	EXK2020
	29	SCREW	ABA1082		69	NUT	NK90FUC
	30	SCREW (STEEL)	ABA1095		70	SCREW	VPZ30P080FMC
	31	DOOR SPRING L	ABH1068		71	SCREW	VPZ30P080FZK
	32	DOOR SPRING R	ABH1069	Δ	72	FUSE (T2.5A, FU101)	AEK-403
	33	KEEP PLATE	ABK1016	Δ	73	FUSE (T1A, FU102)	AEK-402
Δ	34	AC POWER CORD	ADG1051	Δ	74	FUSE (T1A, FU103)	AEK-402
	35	NYLON BINDER		Δ	75	FUSE (T800mA, FU151)	AEK-031
	36	LEG ASSEMBLY	AEC-847	Δ	76	FUSE (T800mA, FU152)	AEK-031
	37	STRAIN RELIEF	AEC-882	Δ	77	VOLTAGE SELECTOR (S101)	AKX1004
	38	NYLON RIVET	AEC1160	Δ	78	VOLTAGE SELECTOR (S102)	AKX-507
	39	DRY CELL BATTERY (R03, AAA)		Δ	79	POWER TRANSFORMER (T102)	ATS1315
	40	FRONT PAD L, R	AHA1404				

Exterior

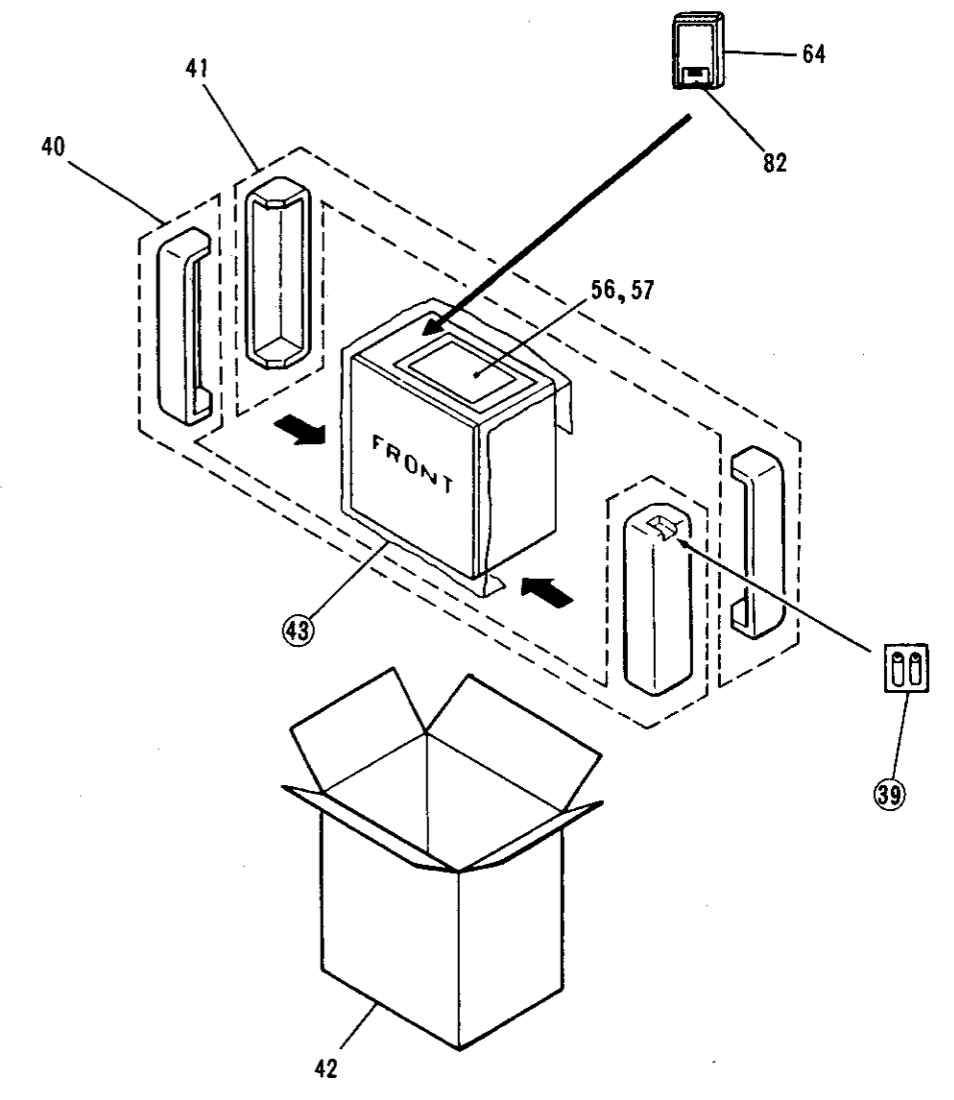
Mark	No.	Description	Parts No.
	80	1 MECHA ASSEMBLY	
	81	2 MECHA ASSEMBLY	
	82	BATTERY COVER	AZA1297

A
B
C
D





Packing



A
B
C
D

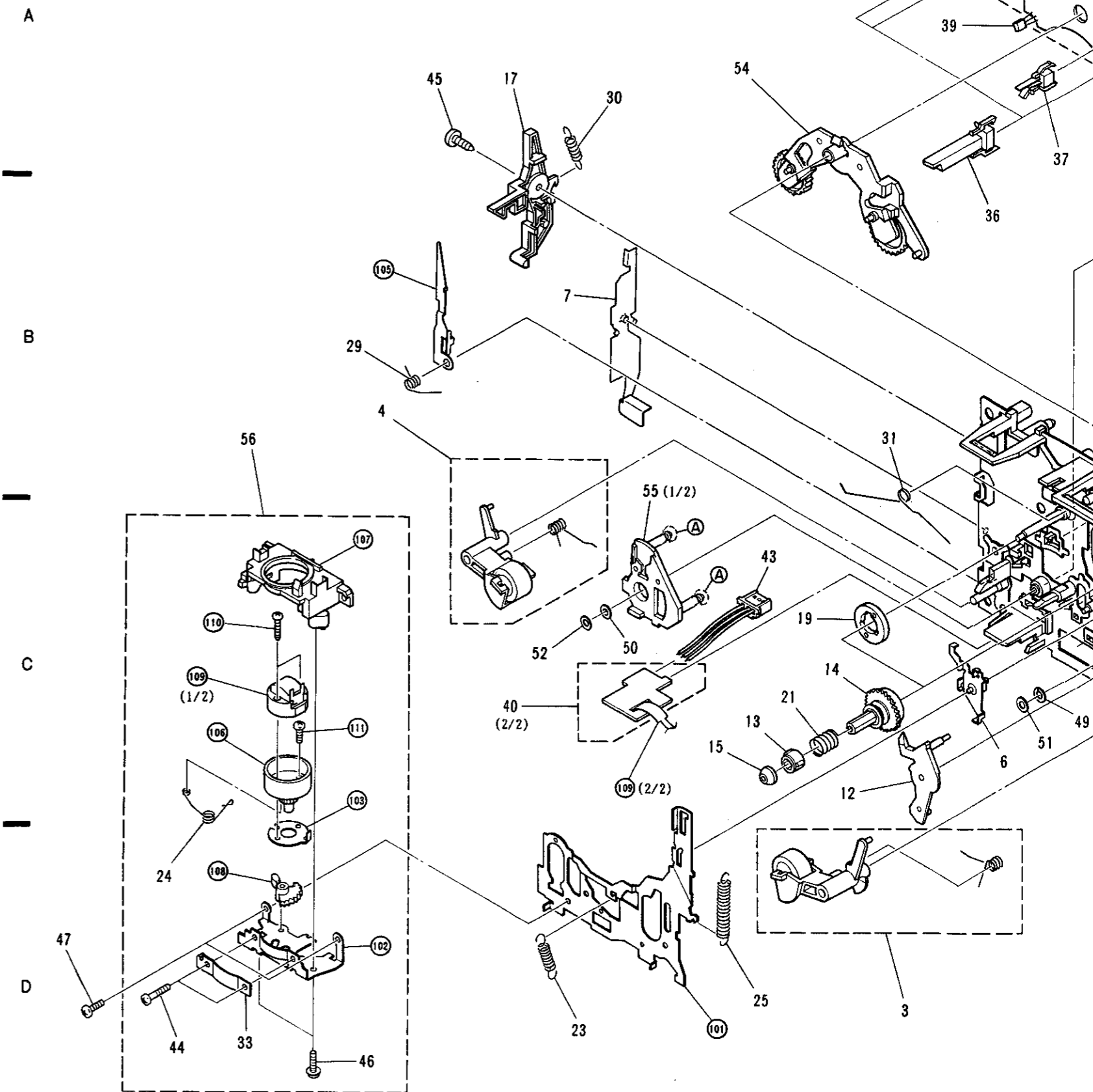
1.2 1 MECHA UNIT (EXK2020)

Parts list of 1 Mecha unit

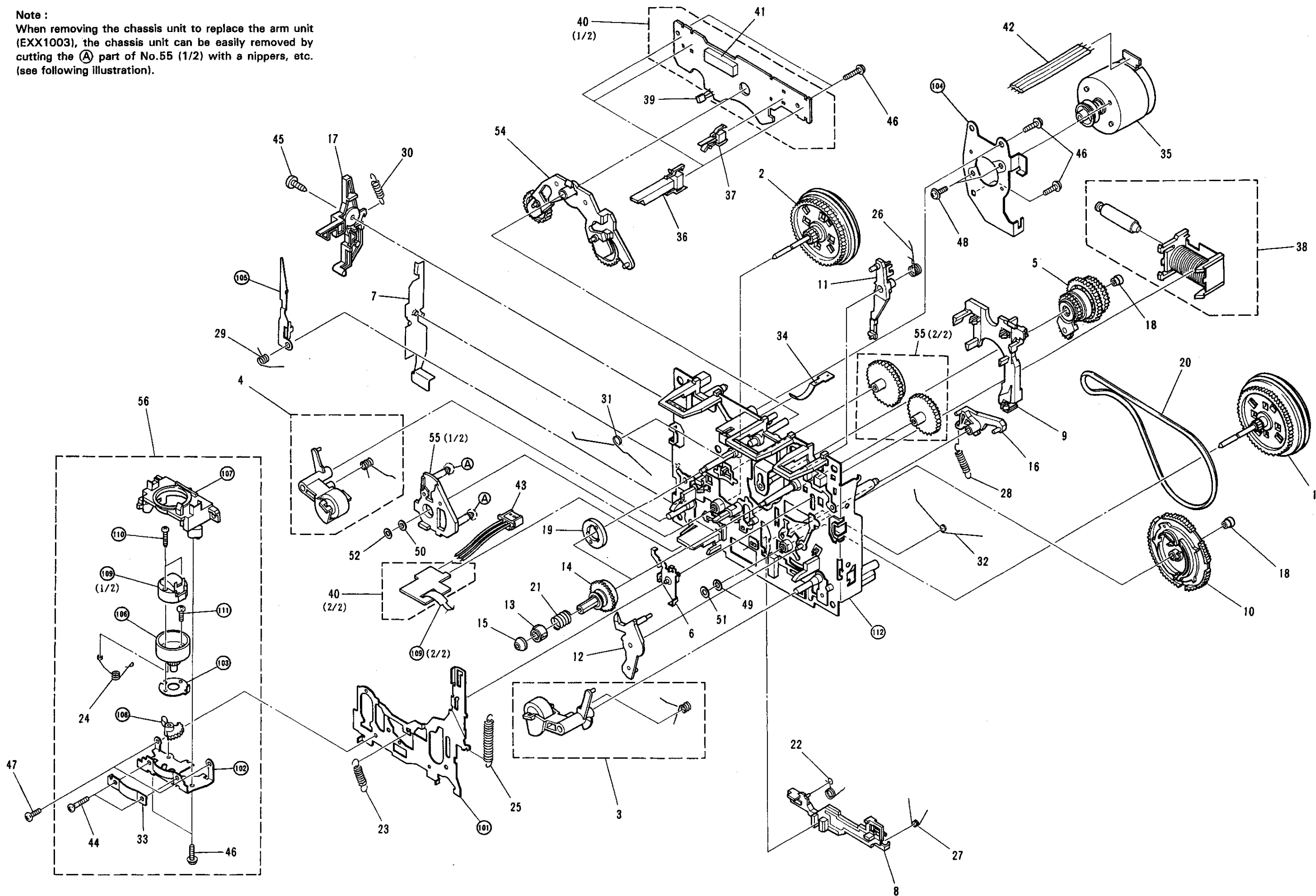
Mark	No.	Description	Parts No.
	1	FLYWHEEL UNIT (FWD)	EXA1102
	2	FLYWHEEL UNIT (RVS)	EXA1103
	3	ROLLER UNIT (FWD)	EXA1104
	4	ROLLER UNIT (RVS)	EXA1105
	5	LIMITER UNIT	EXA1106
	6	LEVER UNIT	EXA1107
	7	ARM	AZN2063
	8	NR LEVER	ENV1155
	9	BRAKE	ENV1157
	10	CAM GEAR	ENV1158
	11	LOCK ARM	ENV1159
	12	NR ARM	ENV1163
	13	REEL COLLAR	ENV1164
	14	REEL	ENV1170
	15	REEL BUSH	ENV1178
	16	ARM	ENV1181
	17	ARM	AZN2069
	18	BUSH	ENV1184
	19	MAGNET	ENV1185
	20	BELT	ENT1015
	21	SPRING	EBH1201
	22	SPRING	EBH1202
	23	SPRING	EBH1203
	24	SPRING	EBH1204
	25	SPRING	EBH1208
	26	SPRING	EBH1209
	27	SPRING	EBH1210
	28	SPRING	EBH1211
	29	SPRING	EBH1255
	30	SPRING	EBH1213
	31	SPRING	EBH1220
	32	SPRING	EBH1256
	33	SPRING	EBL1013
	34	SPRING	EBL1014
	35	MOTOR UNIT	EXA1108
	36	SWITCH (Detect)	ESN1003
	37	SWITCH (Mode)	ESN1004
	38	SOLENOID	EXP1005
	39	HALL IC	DN6847SE
	40	P.C.BOARD	ENX1002
	41	CONNECTOR	EKS1013
	42	LEAD WIRE	EDD1003
	43	CONNECTOR	EDE1009
	44	SCREW	EBA1020
	45	SCREW	EBA1021

Mark	No.	Description	Parts No.
	46	SCREW (M2×8)	ATZ20P080FMC
	47	SCREW	BSZ20P050FMC
	48	SCREW	PMS26P025FCU
	49	WASHER	EBF1008
	50	WASHER	EBF1009
	51	WASHER	EBF1010
	52	WASHER	EBF1011
	53	
	54	ARM UNIT	EXX1002
	55	ARM UNIT	EXX1003
	56	P HEAD ASSEMBLY	EXX1005
	101	HEAD BASE	
	102	BRACKET	
	103	PLATE	
	104	BRACKET	
	105	ARM	
	106	HOLDER	
	107	HOLDER	
	108	GEAR	
	109	P HEAD UNIT	
	110	SCREW	
	111	SCREW	
	112	CHASSIS UNIT	

Note :
When removing the chassis unit to replace the arm unit (EXX1003), the chassis unit can be easily removed by cutting the (A) part of No.55 (1/2) with a nippers, etc. (see following illustration).



Note :
When removing the chassis unit to replace the arm unit (EXX1003), the chassis unit can be easily removed by cutting the (A) part of No.55 (1/2) with a nippers, etc. (see following illustration).



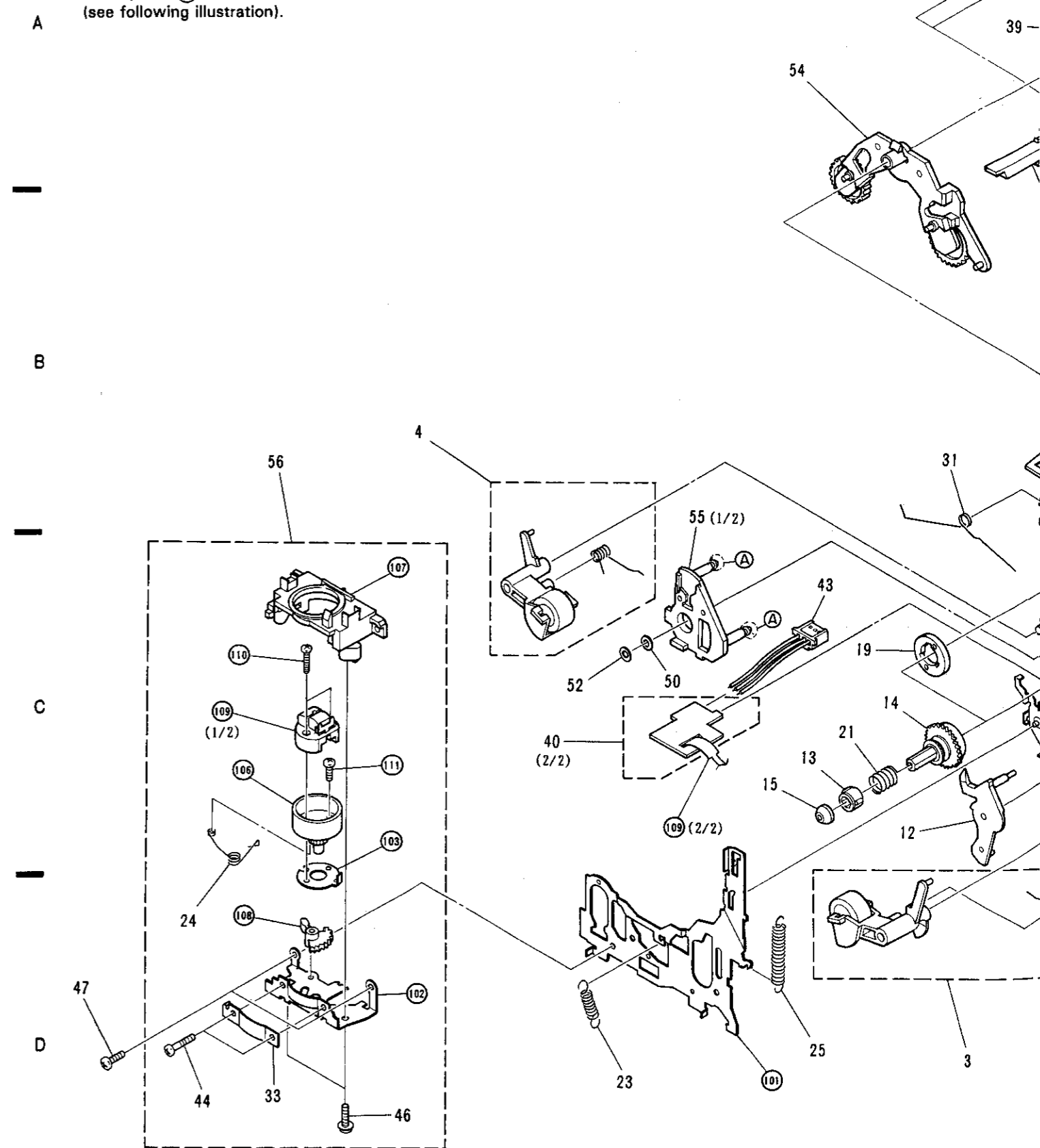
1.3 2 MECHA UNIT (EXK2010)

Parts list of 2 Mecha unit

Mark	No.	Description	Parts No.	Mark	No.	Description	Parts No.
	1	FLYWHEEL UNIT (FWD)	EXA1102		51	WASHER	EBF1010
	2	FLYWHEEL UNIT (RVS)	EXA1103		52	WASHER	EBF1011
	3	ROLLER UNIT (FWD)	EXA1104		53
	4	ROLLER UNIT (RVS)	EXA1105		54	ARM UNIT	EXX1002
	5	LIMITER UNIT	EXA1106		55	ARM UNIT	EXX1003
	6	LEVER UNIT	EXA1107		56	R/P HEAD ASSEMBLY	EXX1004
	7	ARM	AZN2064				
	8	NR LEVER	ENV1155		101	HEAD BASE	
	9	BRAKE	ENV1157		102	BRACKET	
	10	CAM GEAR	ENV1158		103	PLATE	
	11	LOCK ARM	ENV1159		104	BRACKET	
	12	NR ARM	ENV1163		105	ARM	
	13	REEL COLLAR	ENV1164		106	HOLDER	
	14	REEL	ENV1170		107	HOLDER	
	15	REEL BUSH	ENV1178		108	GEAR	
	16	ARM	ENV1181		109	R/P HEAD UNIT	
	17	ARM	AZN2070		110	SCREW	
	18	BUSH	ENV1184		111	SCREW	
	19	MAGNET	ENV1185		112	CHASSIS UNIT	
	20	BELT	ENT1015				
	21	SPRING	EBH1201				
	22	SPRING	EBH1202				
	23	SPRING	EBH1203				
	24	SPRING	EBH1204				
	25	SPRING	EBH1208				
	26	SPRING	EBH1209				
	27	SPRING	EBH1210				
	28	SPRING	EBH1211				
	29	SPRING	EBH1254				
	30	SPRING	EBH1213				
	31	SPRING	EBH1220				
	32	SPRING	EBH1256				
	33	SPRING	EBL1013				
	34	SPRING	EBL1014				
	35	MOTOR UNIT	EXA1108				
	36	SWITCH (Detect)	ESN1003				
	37	SWITCH (Mode)	ESN1004				
	38	SOLENOID	EXP1005				
	39	HALL IC	DN6847SE				
	40	P.C.BOARD	ENX1002				
	41	CONNECTOR	EKS1012				
	42	LEAD WIRE	EDD1003				
	43	CONNECTOR	EDE1008				
	44	SCREW	EBA1020				
	45	SCREW	EBA1021				
	46	SCREW (M2×8)	ATZ20P080FMC				
	47	SCREW	BSZ20P050FMC				
	48	SCREW	PMS26P025FCU				
	49	WASHER	EBF1008				
	50	WASHER	EBF1009				

Note :

When removing the chassis unit to replace the arm unit (EXX1003), the chassis unit can be easily removed by cutting the (A) part of No.55 (1/2) with a nippers, etc. (see following illustration).

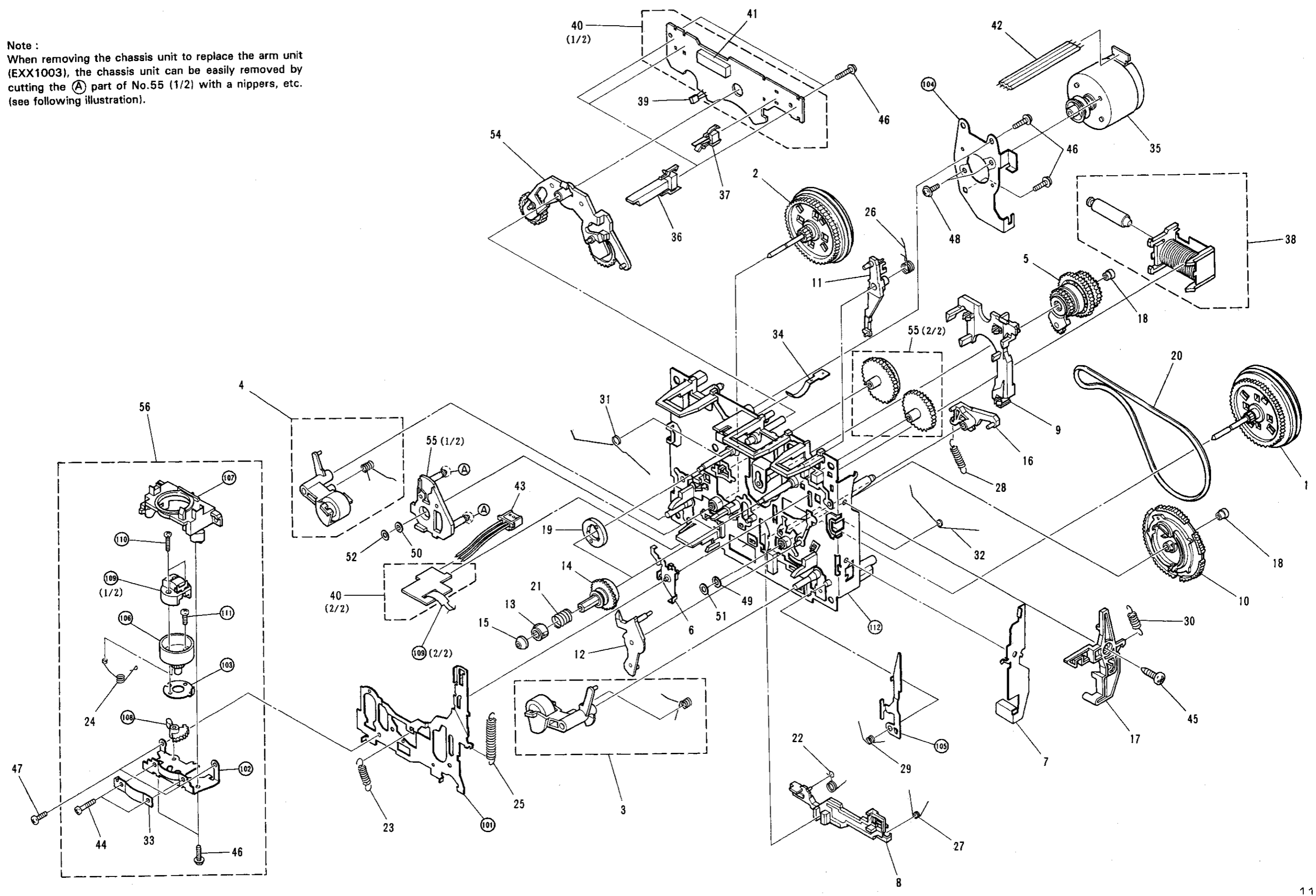


Note :
When removing the chassis unit to replace the arm unit (EXX1003), the chassis unit can be easily removed by cutting the (A) part of No.55 (1/2) with a nippers, etc. (see following illustration).

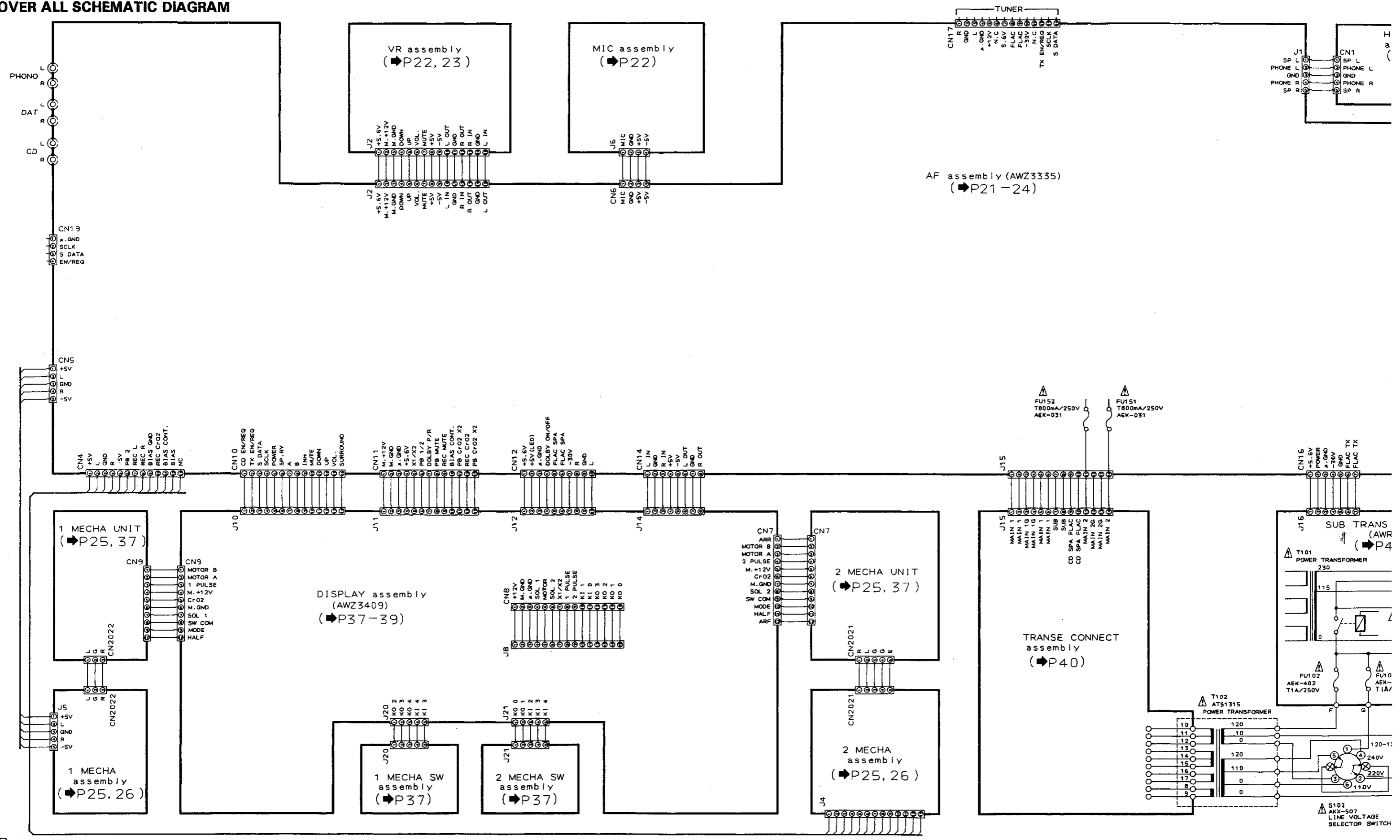
No.
10
11
.....
102
103
104

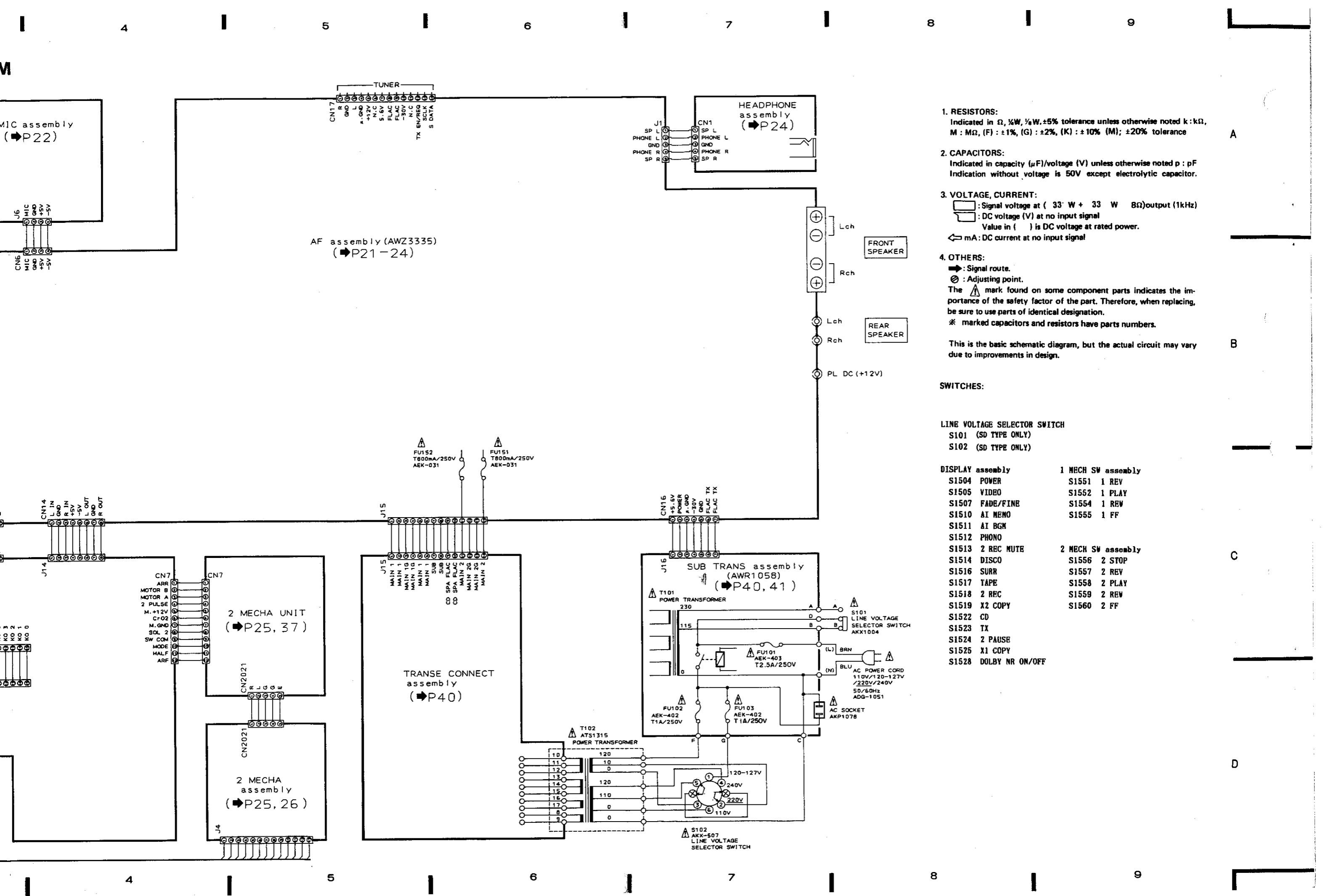
A
B
C
D

A
B
C
D



SCHEMATIC DIAGRAM AND P.C.BOARDS CONNECTION DIAGRAM 1 OVER ALL SCHEMATIC DIAGRAM





1. RESISTORS:
 Indicated in Ω , $\frac{1}{4}W$, $\frac{1}{2}W$, $\pm 5\%$ tolerance unless otherwise noted k: k Ω , M: M Ω , (F): $\pm 1\%$, (G): $\pm 2\%$, (K): $\pm 10\%$ (M): $\pm 20\%$ tolerance

2. CAPACITORS:
 Indicated in capacity (μF)/voltage (V) unless otherwise noted p: pF
 Indication without voltage is 50V except electrolytic capacitor.

3. VOLTAGE, CURRENT:
 [Symbol] : Signal voltage at (33 W + 33 W 8 Ω) output (1kHz)
 [Symbol] : DC voltage (V) at no input signal
 Value in () is DC voltage at rated power.
 [Symbol] mA: DC current at no input signal

4. OTHERS:
 [Symbol] : Signal route.
 [Symbol] : Adjusting point.
 The Δ mark found on some component parts indicates the importance of the safety factor of the part. Therefore, when replacing, be sure to use parts of identical designation.
 * marked capacitors and resistors have parts numbers.

This is the basic schematic diagram, but the actual circuit may vary due to improvements in design.

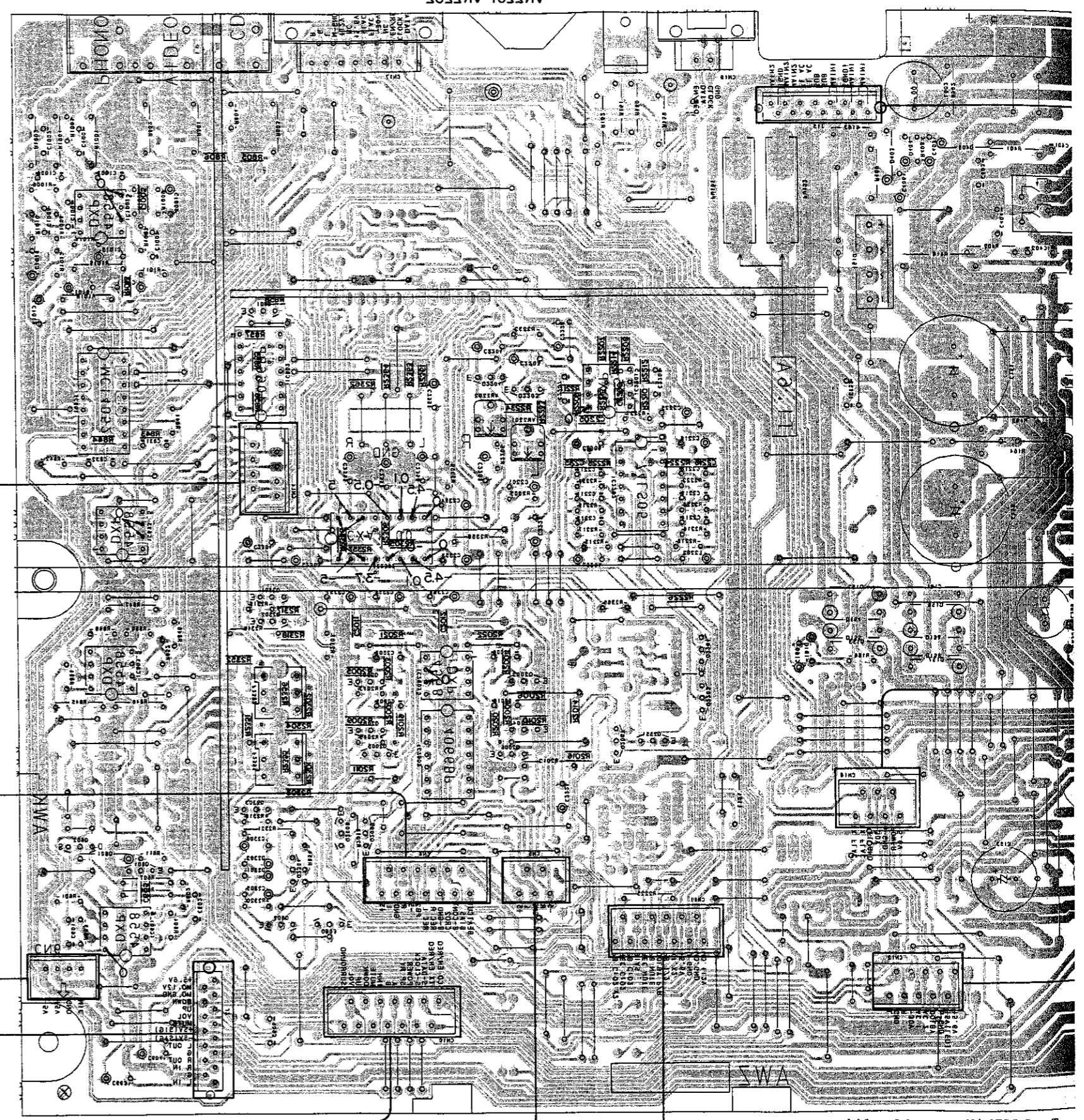
SWITCHES:

LINE VOLTAGE SELECTOR SWITCH
 S101 (SD TYPE ONLY)
 S102 (SD TYPE ONLY)

DISPLAY assembly	1 MECH SW assembly
S1504 POWER	S1551 1 REV
S1505 VIDEO	S1552 1 PLAY
S1507 FADE/FINE	S1554 1 REV
S1510 AI MEMO	S1555 1 FF
S1511 AI BGM	
S1512 PHONO	2 MECH SW assembly
S1513 2 REC MUTE	S1556 2 STOP
S1514 DISCO	S1557 2 REV
S1516 SURR	S1558 2 PLAY
S1517 TAPE	S1559 2 REV
S1518 2 REC	S1560 2 FF
S1519 X2 COPY	
S1522 CD	
S1523 TX	
S1524 2 PAUSE	
S1525 X1 COPY	
S1528 DOLBY NR ON/OFF	

This P.C.B. connection diagram is viewed from the foil side.

IC122
05505 05501
05321
05001-05002 IC5001 IC5005
05301-05304
0803 0805
0801 IC601
IC803 IC805
05503 05504
IC5305
IC833 IC801
IC1001



(To page 34) To DISPLAY assembly 111
To IMCHA assembly 12 (To page 37)

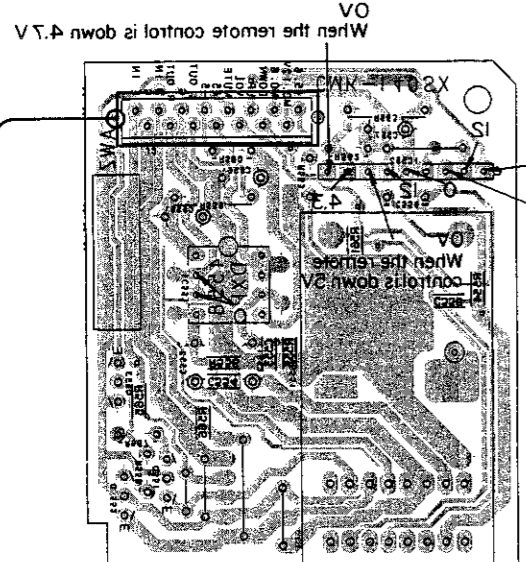
(To page 34) To DISPLAY assembly 110

(To page 29) To SMCHA assembly 14

(To page 35) To DISPLAY assembly 114

VR assembly

MIC assembly



VO
When the remote control is up 4.7V

VO
When the remote control is down 2V

VO
When the remote control is down 4.7V

A

B

C

D

e

8

7

e

2

4

e

8

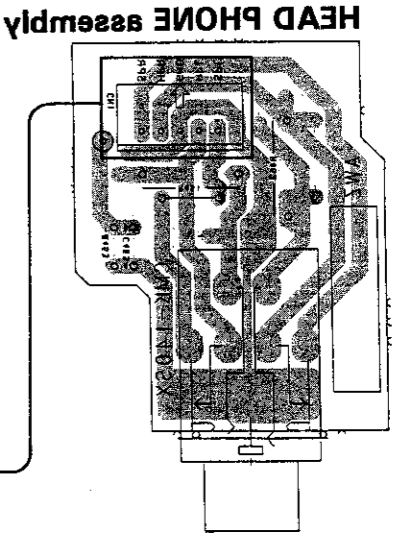
7

e

2

4

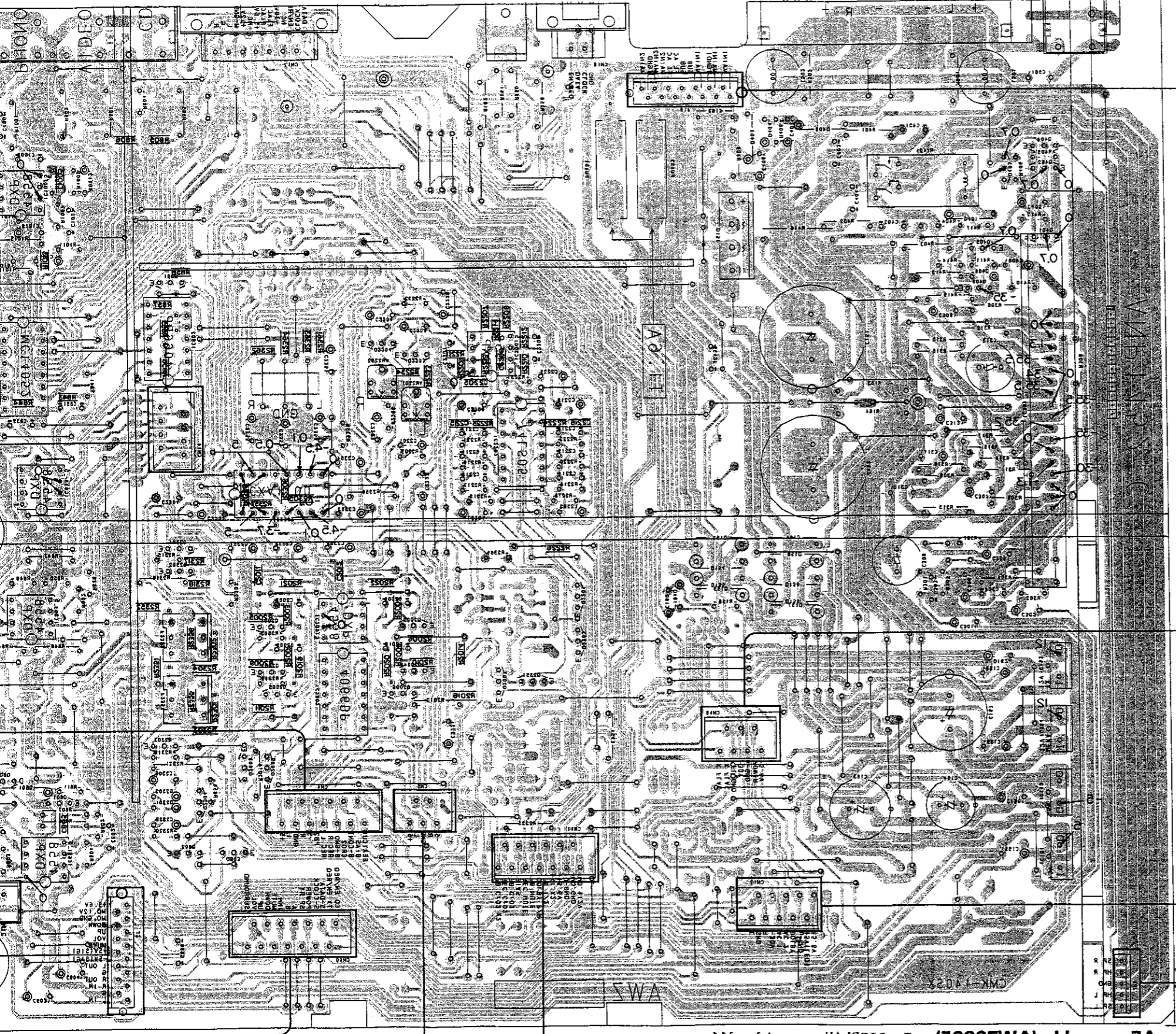
S.S AF (AW333E) HEAD PHONE, VR and MIC assembly



To DISPLAY assembly 113
(To page 38)

To SUB TRANS assembly 116
(To page 42)

To TRANS CONNECT assembly 112
(To page 42)



To DISPLAY assembly 111
(To page 34)

To IMCHA assembly 15 (To page 27)

- IC125 IC151
- IC123 IC124
- IC301
- 0401 - 0408
- IC122
- 05505 05501
- 05321
- 05001-05008 IC5001 IC5005
- 05301-05304
- IC8305
- IC805
- 0803 0805
- 0801 IC601
- 0803 0805
- IC803 IC805
- IC823 IC801
- IC1001

A
B
C
D

2.2 AF (AWZ3335), HEAD PHONE, VR and MIC assembly

IC301
IC153 IC154
IC152 IC151

IC155

Q2202 Q2201

IC2202 IC2201
Q2351

Q2203 Q2204
Q2001-Q2009 IC2001 IC2002

IC2302
Q2301-Q2304
Q803 Q802

Q801

IC802

IC1001

IC833 IC801

IC803 Q602

Q601 IC601

VR2201 VR2202

To TRANS CONNECT assembly J15
(To page 42)

To SUB TRANS assembly J16
(To page 42)

To DISPLAY assembly J12
(To page 35)

AF assembly (AWZ3335) To DISPLAY assembly J11
(To page 34)

To IMECHA assembly J5 (To page 27)

NOTE

- 1. This P.C.B connection diagram is viewed from the parts mounted side.
- 2. The parts which have been mounted on the board can be replaced with those shown with the corresponding wiring symbols listed in the following Table.

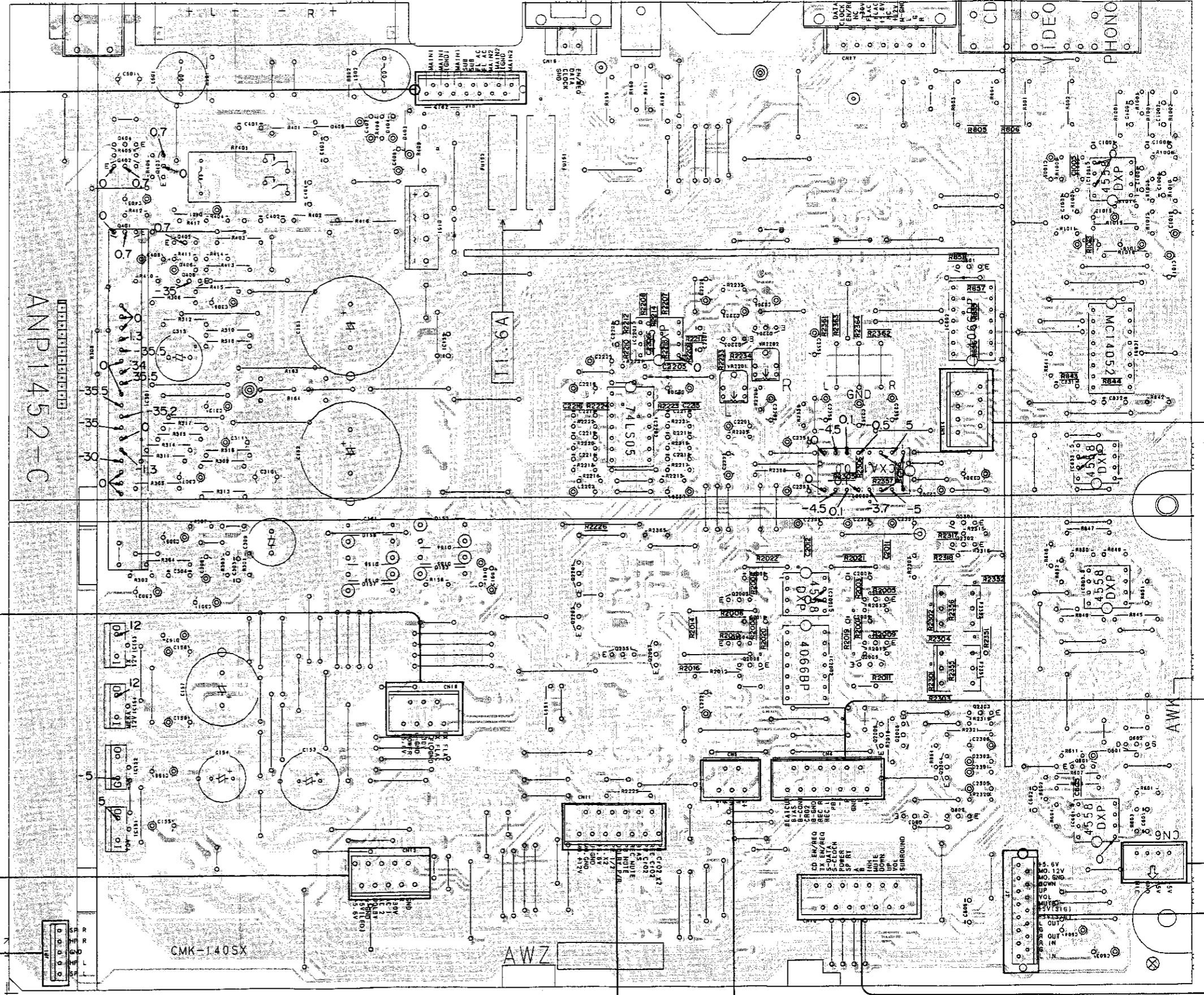
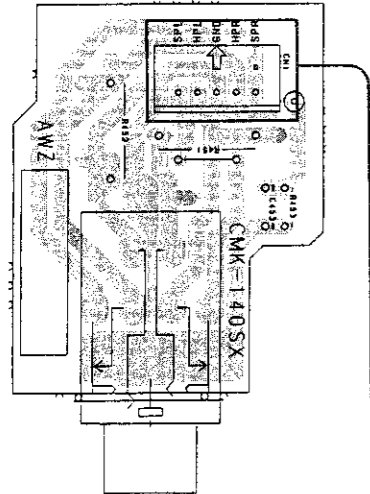
P.C.B. pattern diagram indication	Corresponding part symbol	Part Name
Q504		Transistor
Q215		Radiator type transistor
Q203		Diode
R237		Resistor
C513		Capacitor (Polarity)
C518		Capacitor (Non-polarity)

Others

P.C.B. pattern diagram indication	Part Name
IC	IC
S	Switch
RY	Relay
L	Coil
F	Filter
VR	Variable resistor or Semi-fixed resistor

- 3. The capacitor terminal marked with @ (double circles) shows negative terminal.
- 4. The diode terminal marked with @ (double circles) shows cathode side.
- 5. The transistor terminal to which E is affixed shows the emitter.

HEAD PHONE assembly



IC155

Q2202 Q2201

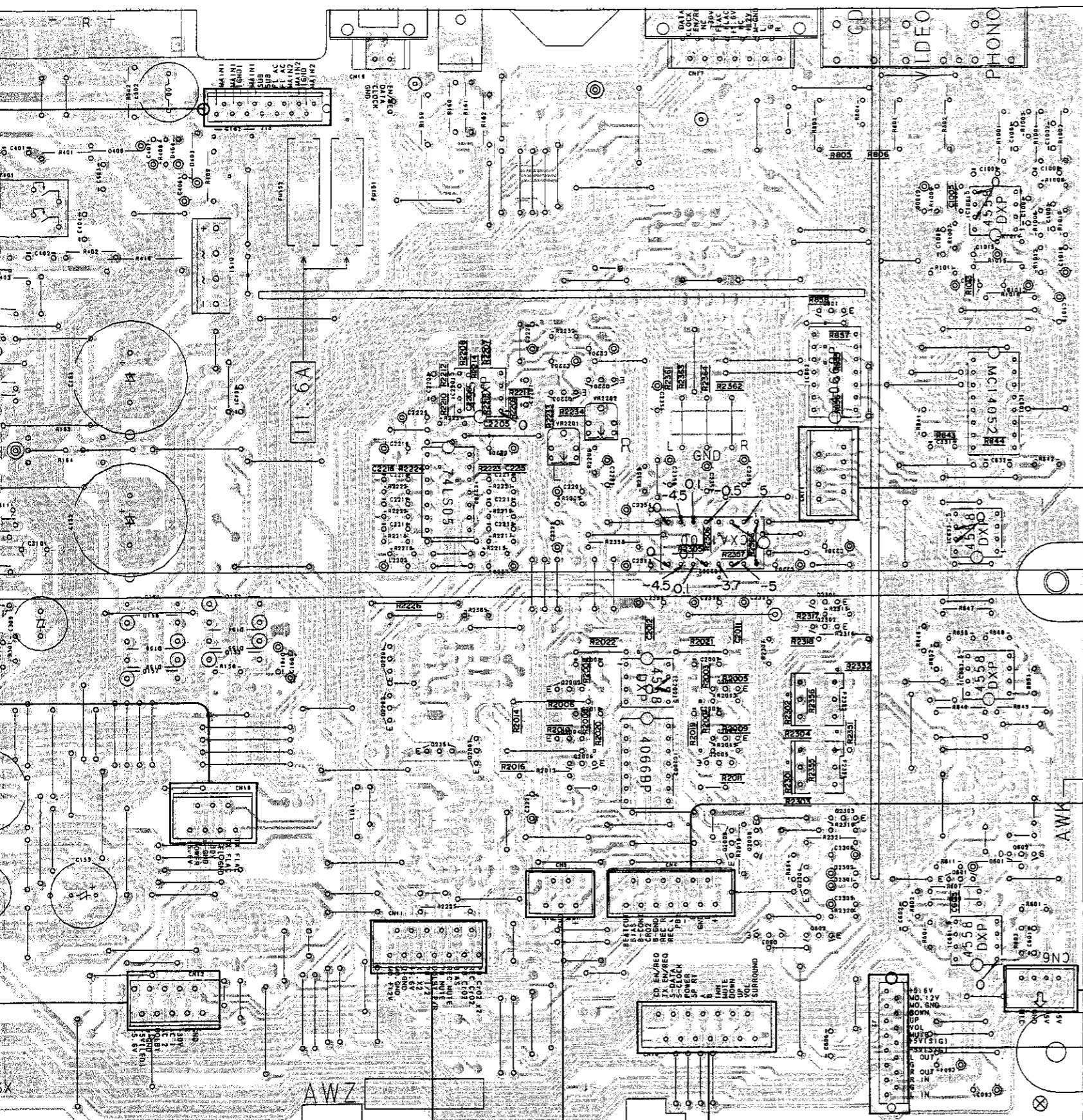
IC2202 IC2201
Q2351

Q2203 Q2204
Q2001-Q2009 IC2001 IC2002

Q801
IC802
Q2301-Q2304
Q803 Q802

IC1001
IC833 IC801
IC803 Q602
Q601 IC601

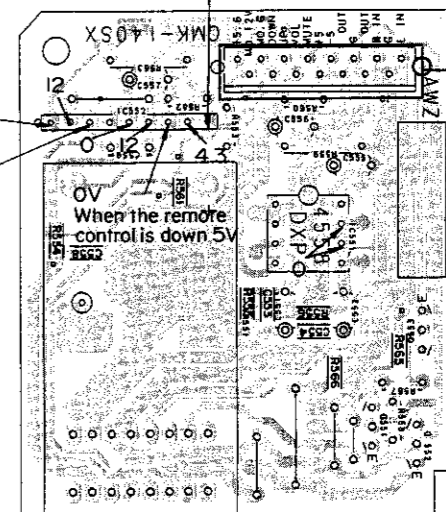
VR2201 VR2202



0V
When the remote control is up 4.7

0V
When the remote control is up 5V

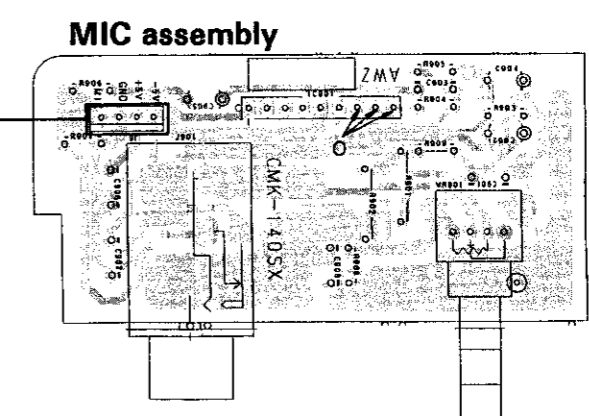
0V
When the remote control is down 4.7 V



VR assembly

To DISPLAY assembly J14
(To page 35)

To 2MECHA assembly J4
(To page 29)



MIC assembly

To DISPLAY assembly J11
(To page 34)

To 1MECHA assembly J5 (To page 27)

To DISPLAY assembly J10
(To page 34)

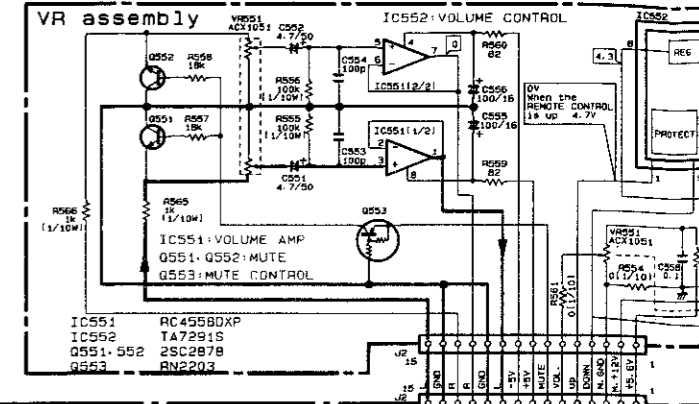
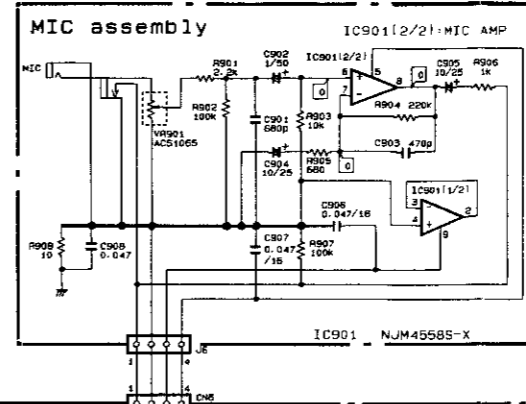
A

B

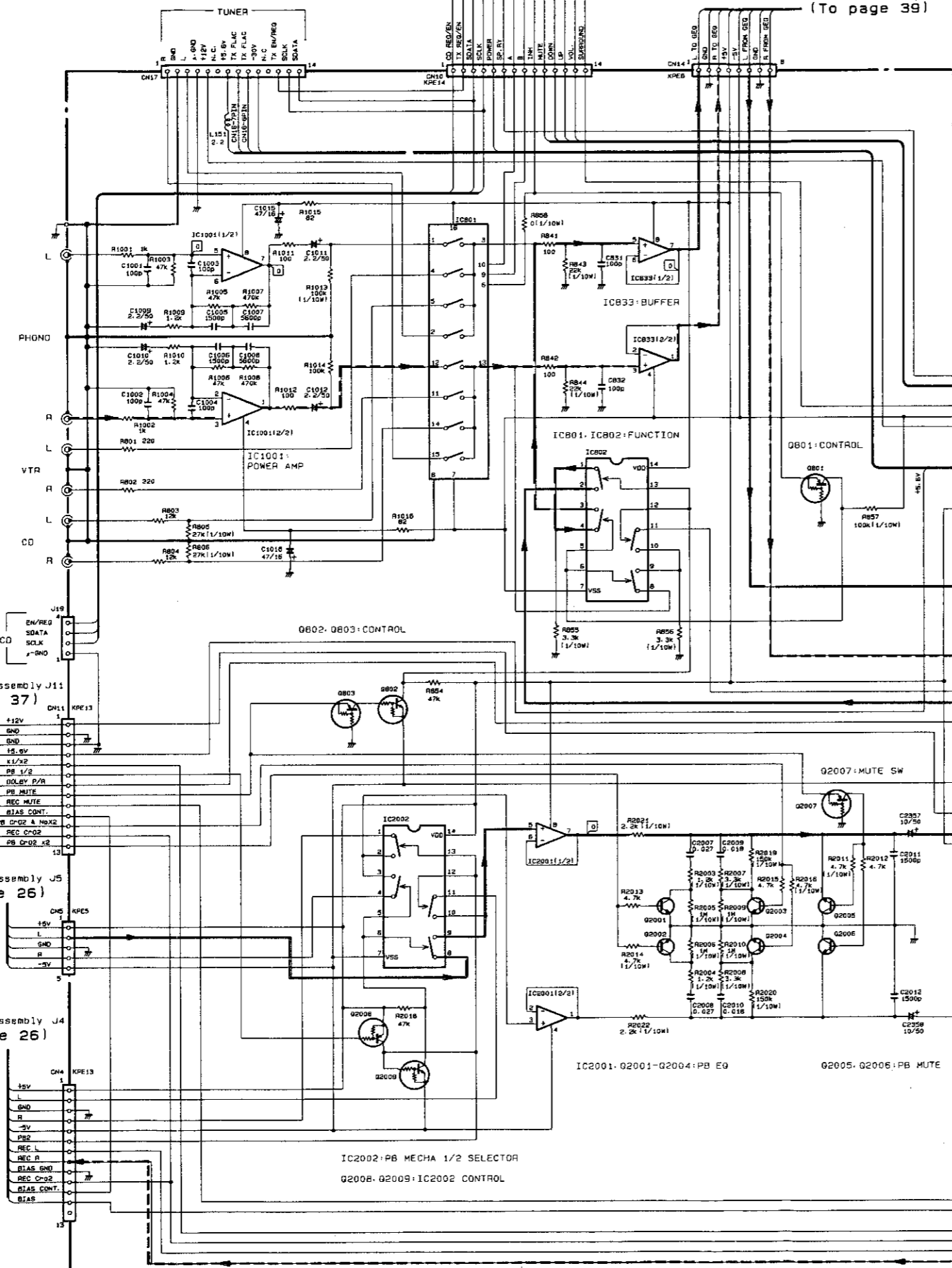
C

D

To DISPLAY assembly J10
(To page 37)
To DISPLAY assembly J14
(To page 39)



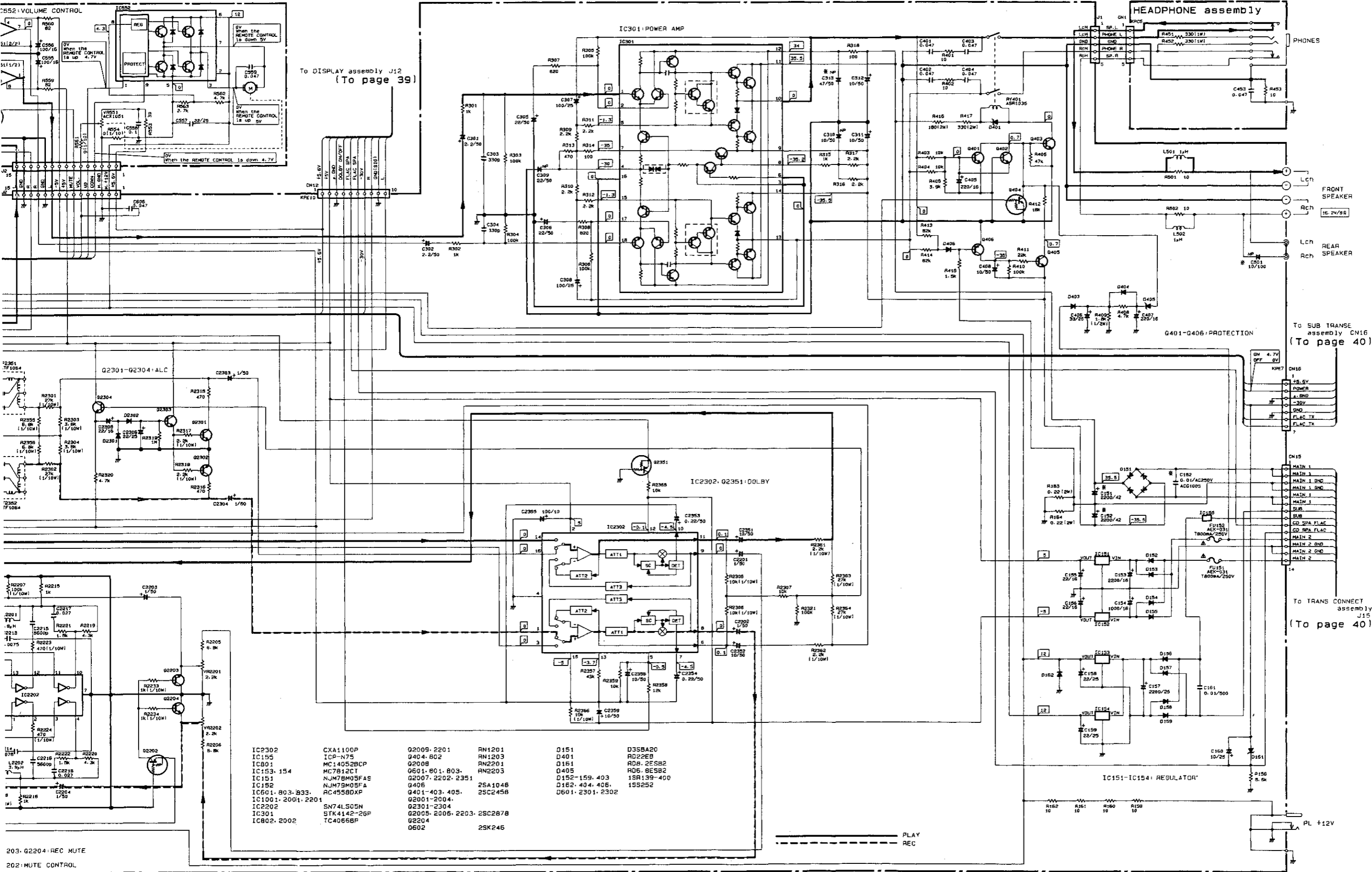
AF assembly (AWZ3335)



To DISPLAY assembly J11
(To page 37)

To 1 MECHA assembly J5
(To page 26)

To 2 MECHA assembly J4
(To page 26)



To DISPLAY assembly J12
(To page 39)

To SUB TRANS assembly CN16
(To page 40)

To TRANS CONNECT assembly J15
(To page 40)

IC2302	CXA1100P	Q2009-2201	RN1201	D151	D35BA20
IC155	ICP-N75	Q404-802	RN1203	D401	RD22EB
IC801	MC14052BCP	Q2008	RN2201	D161	RD8.2ESB2
IC153-154	MC7812CT	Q501-801, 803	RN2203	Q405	RD8.6ESB2
IC151	NJM78M05FAE	Q2007, 2202, 2351	Q406	D152-159, 403	1SR139-400
IC152	NJM79M05FA	Q406	2SA1048	D162, 404, 406	1SS252
IC601-803-833	RC4558DXP	Q401-403, 405	Q2001-2004	Q601-2301-2302	
IC1001-2001, 2201		Q2001-2004	Q2301-2304		
IC2202	SN74LS05N	Q2005-2006, 2203	2SC2878		
IC301	STK4142-26P	Q2204	2SK246		
IC802-2002	TC4066BP	Q602			

PLAY
REC

A
B
C
D

2.3 1 MECHA and 2 MECHA assembly

To AF assembly
CN4
(To page 21)

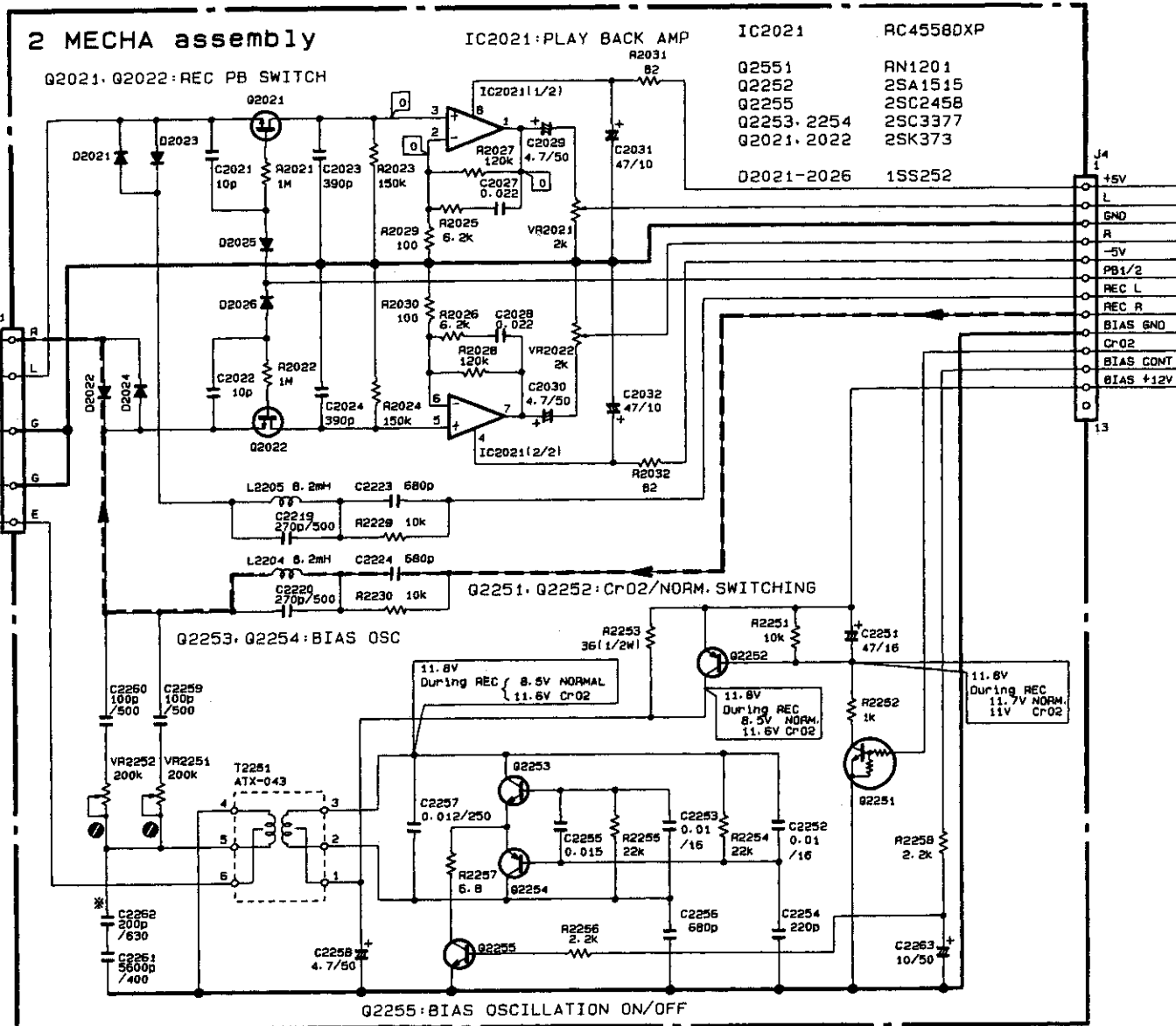
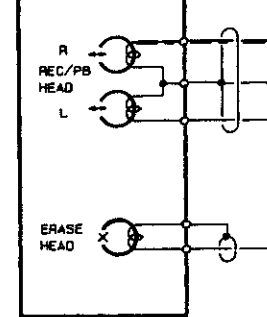
A A

B B

C C

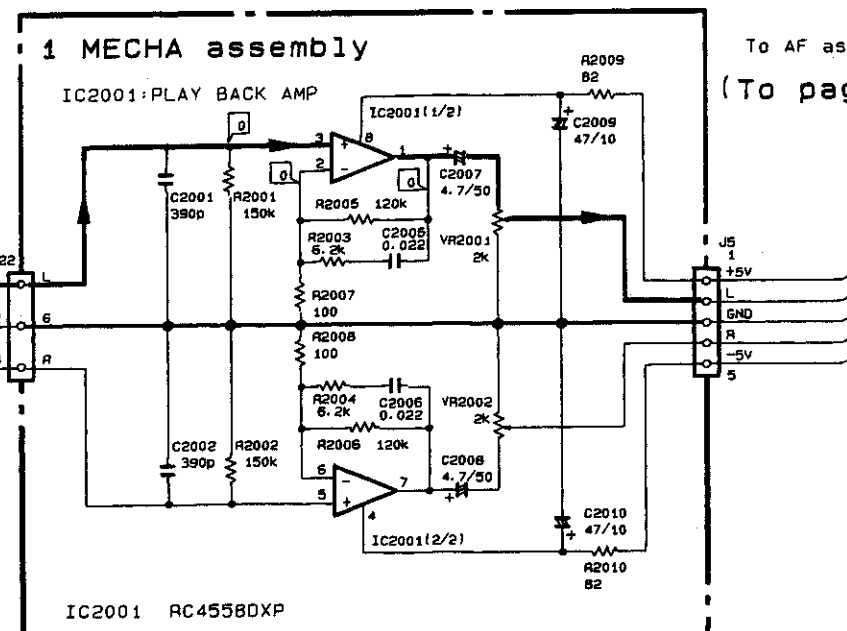
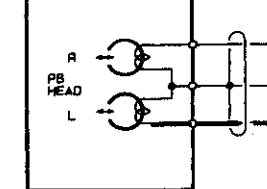
D D

2 MECHA UNIT



To AF assembly
CN5
(To page 21)

1 MECHA UNIT



NOTE

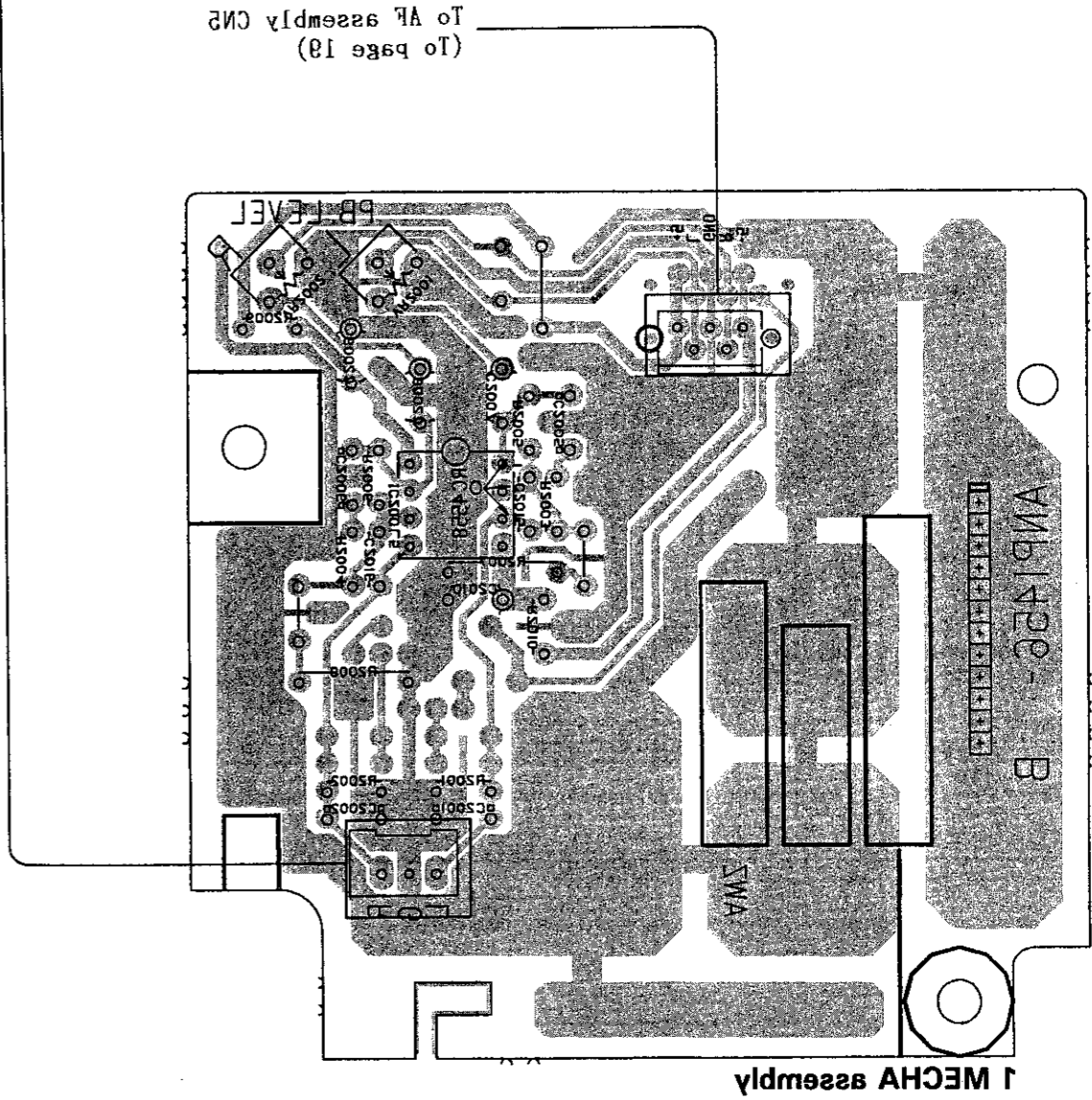
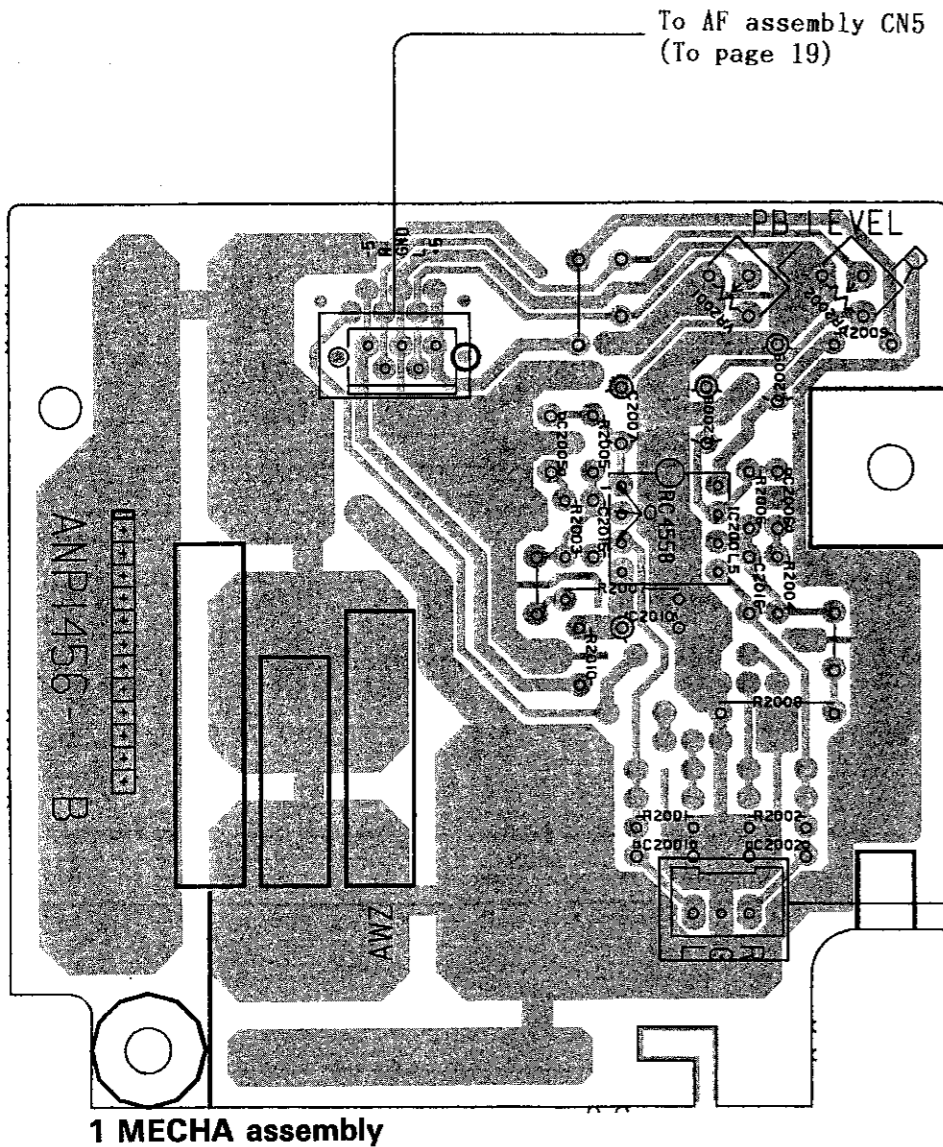
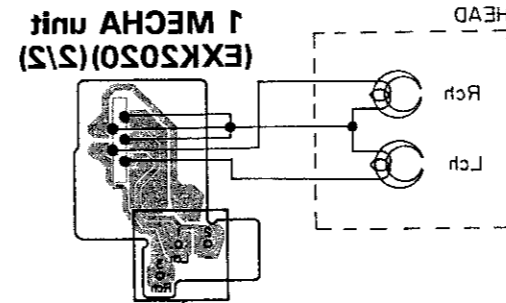
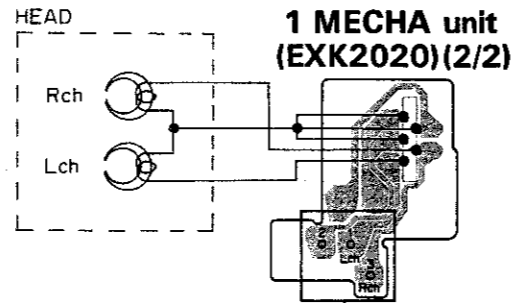
- 1. This P.C.B. connection diagram is viewed from the parts mounted side.
- 2. The parts which have been mounted on the board can be replaced with those shown with the corresponding wiring symbols listed in the following Table.

P.C.B. pattern diagram indication	Corresponding part symbol	Part Name
		Transistor
		Radiator type transistor
		Diode
		Resistor
		Capacitor (Polarity)
		Capacitor (Non-polarity)

Others

P.C.B. pattern diagram indication	Part Name
IC	IC
S	Switch
RY	Relay
L	Coil
F	Filter
VR	Variable resistor or Semi-fixed resistor

- 3. The capacitor terminal marked with ⊕ (double circles) shows negative terminal.
- 4. The diode terminal marked with ⊕ (double circles) shows cathode side.
- 5. The transistor terminal to which E is affixed shows the emitter.

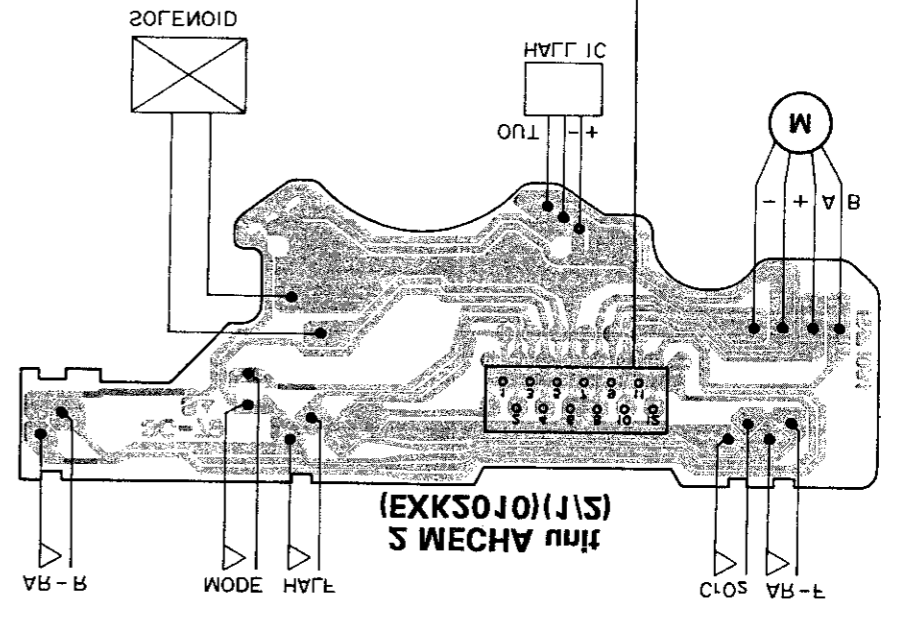
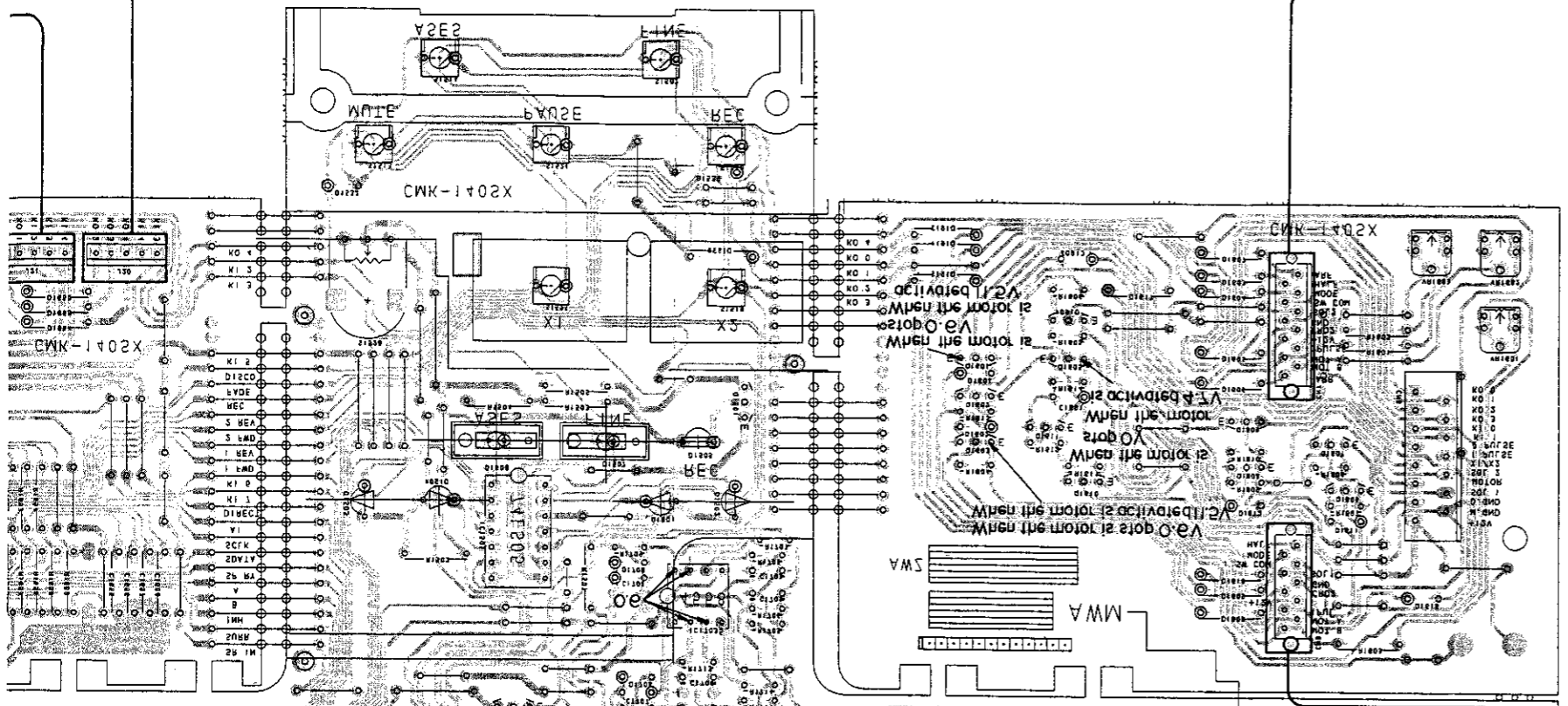


A

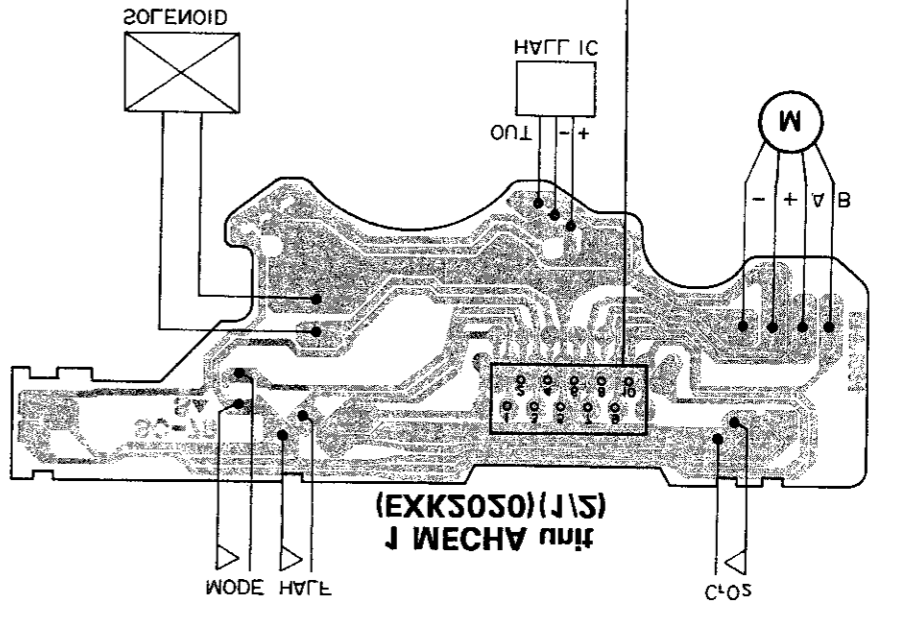
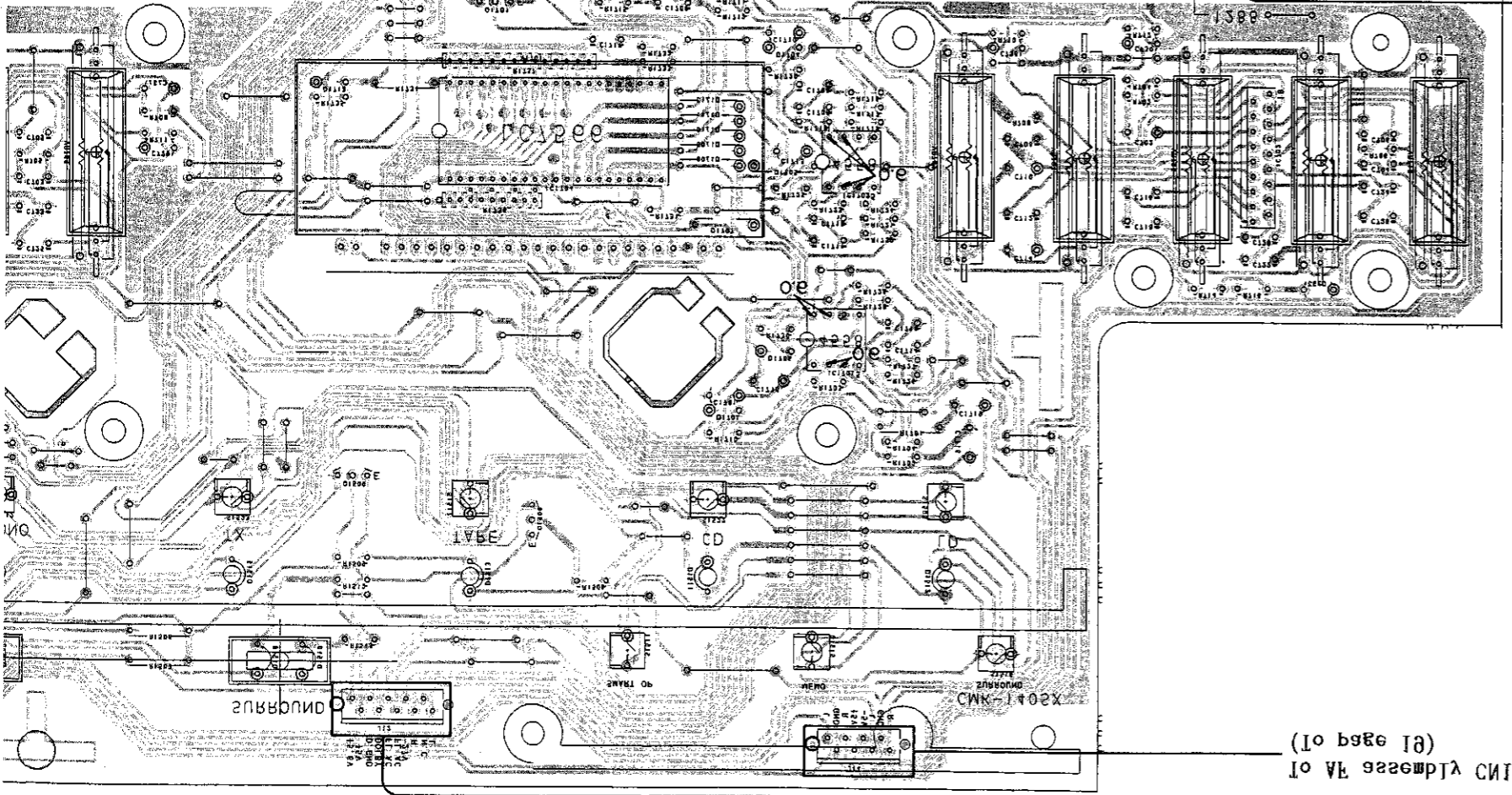
B

C

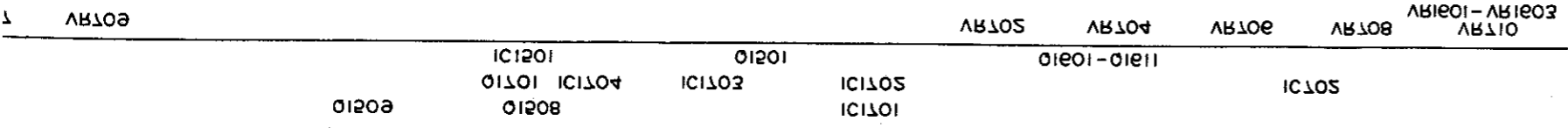
D



D
C



B
A



(8) of 10 pages
S1215-10015-10015

(1) of 10 pages
S1215-10015-10015

NOTE

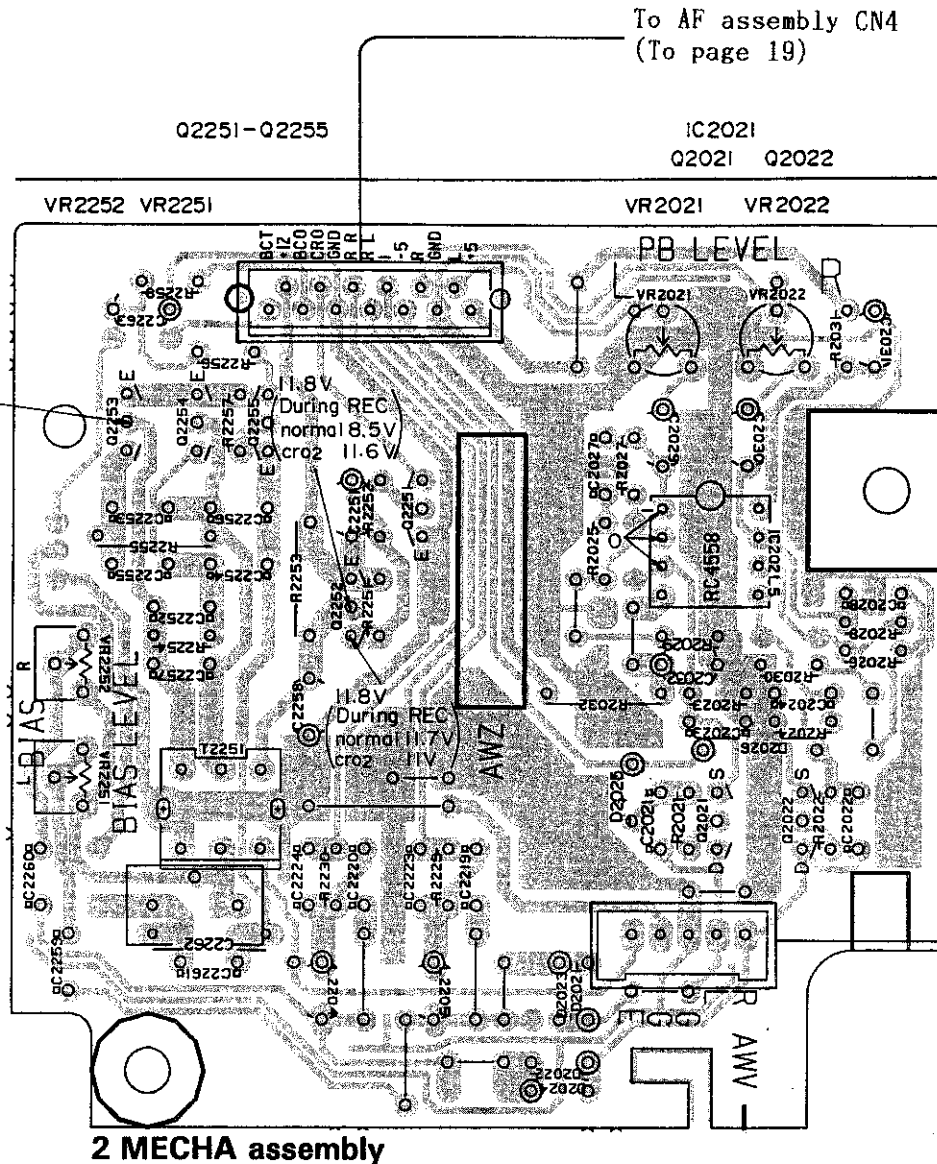
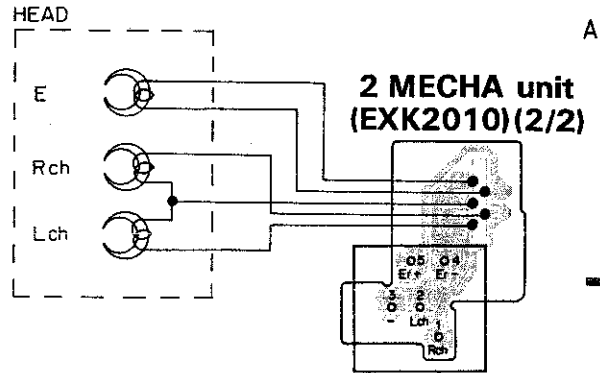
1. This P.C.B. connection diagram is viewed from the parts mounted side.
2. The parts which have been mounted on the board can be replaced with those shown with the corresponding wiring symbols listed in the following Table.

P.C.B. pattern diagram indication	Corresponding part symbol	Part Name
		Transistor
		Radiator type transistor
		Diode
		Resistor
		Capacitor (Polarity)
		Capacitor (Non-polarity)

Others

P.C.B. pattern diagram indication	Part Name
	IC
	Switch
	Relay
	Coil
	Filter
	Variable resistor or Semi-fixed resistor

3. The capacitor terminal marked with ⊕ (double circles) shows negative terminal.
4. The diode terminal marked with ⊕ (double circles) shows cathode side.
5. The transistor terminal to which E is affixed shows the emitter.

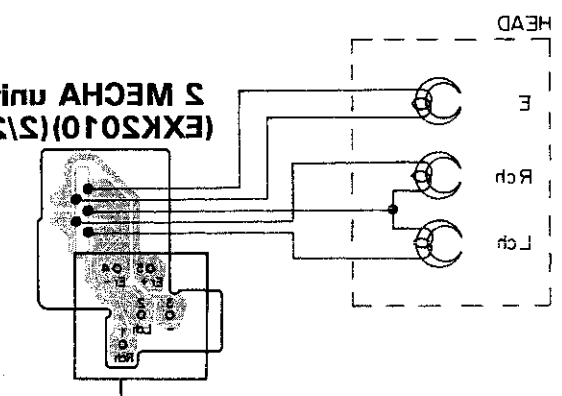


A

B

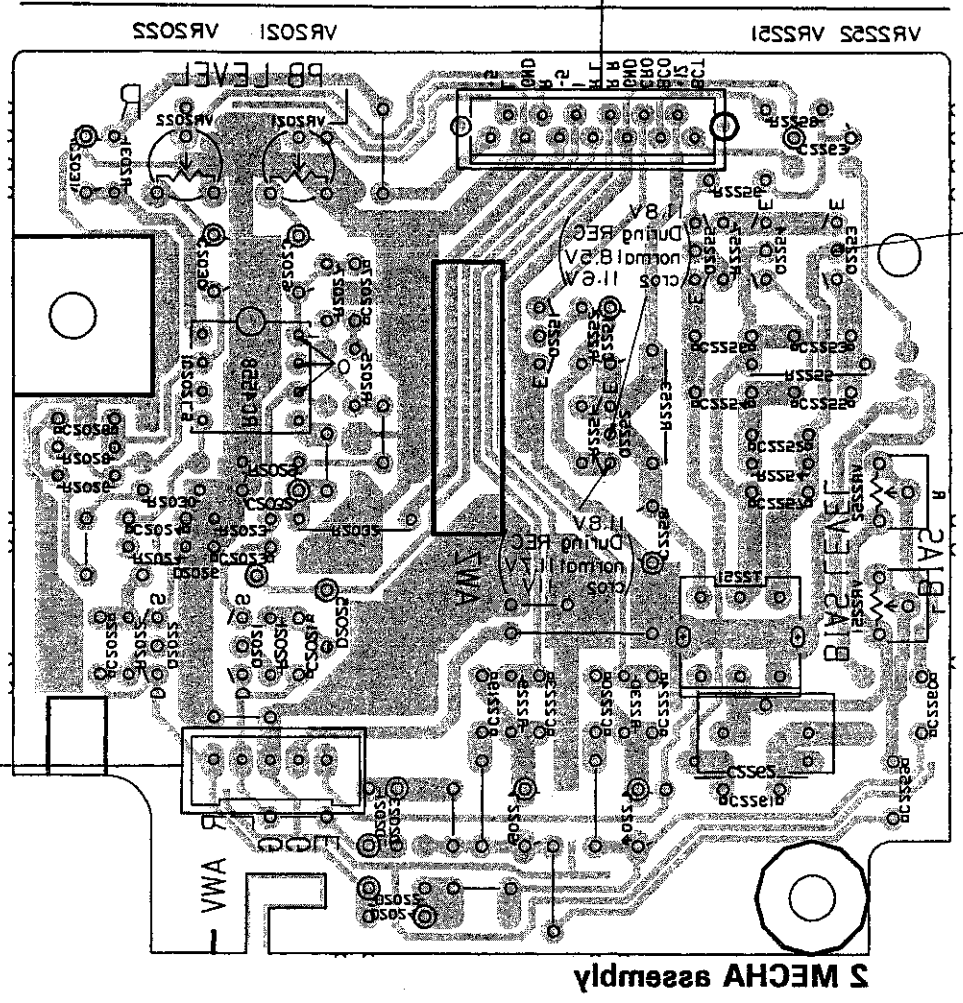
C

D



To AF assembly CNA
 (To page 18)
 1CS01
 OS051
 ARSS01

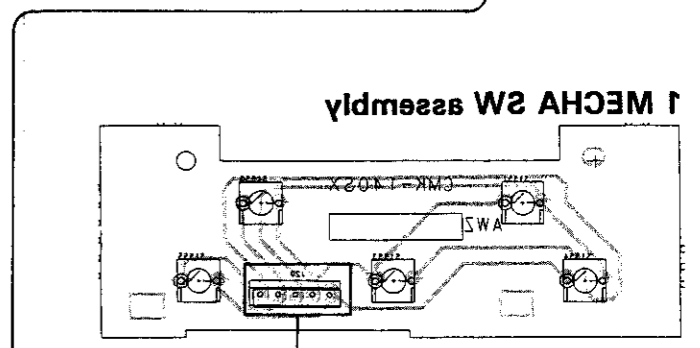
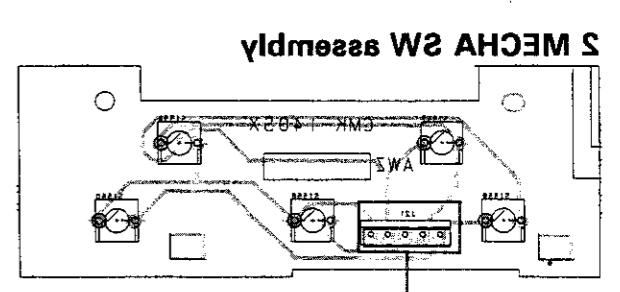
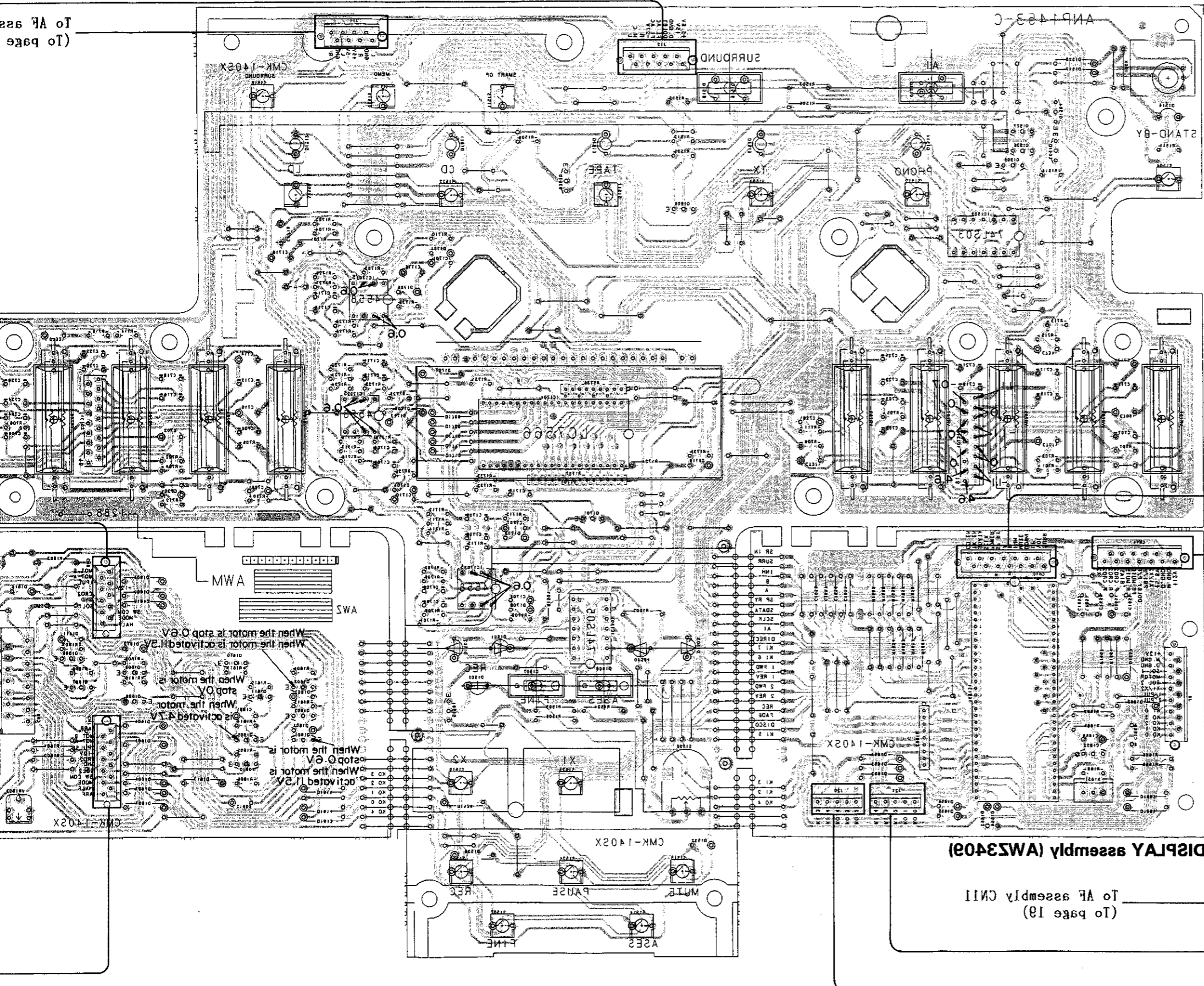
OS21-OS22



11.8V
 (norm 8.5V)
 During REC
 clos 11.6V

2 MECHA UNIT (EKX2010)
2 MECHA SW assembly, 1 MECHA UNIT (EKX2020) and
2 MECHA SW assembly (WA23409)

(To page 18)
To AF assy



A
B
C
D

IC1501 IC1501 IC1501 IC1501 IC1501 IC1501 IC1501 IC1501 IC1501 IC1501
01503 - 01507 IC1505
01509
01508
01508
01501 IC1704
01501 IC1705
01501-01511 IC1705
VR701 VR702 VR703 VR704 VR705 VR706 VR708
VR708

DISPLAY (AWZ3409), 1 MECHA SW, 2 MECHA SW assembly, 1 MECHA UNIT (EXK2020) and 2 MECHA UNIT (EXK2010)

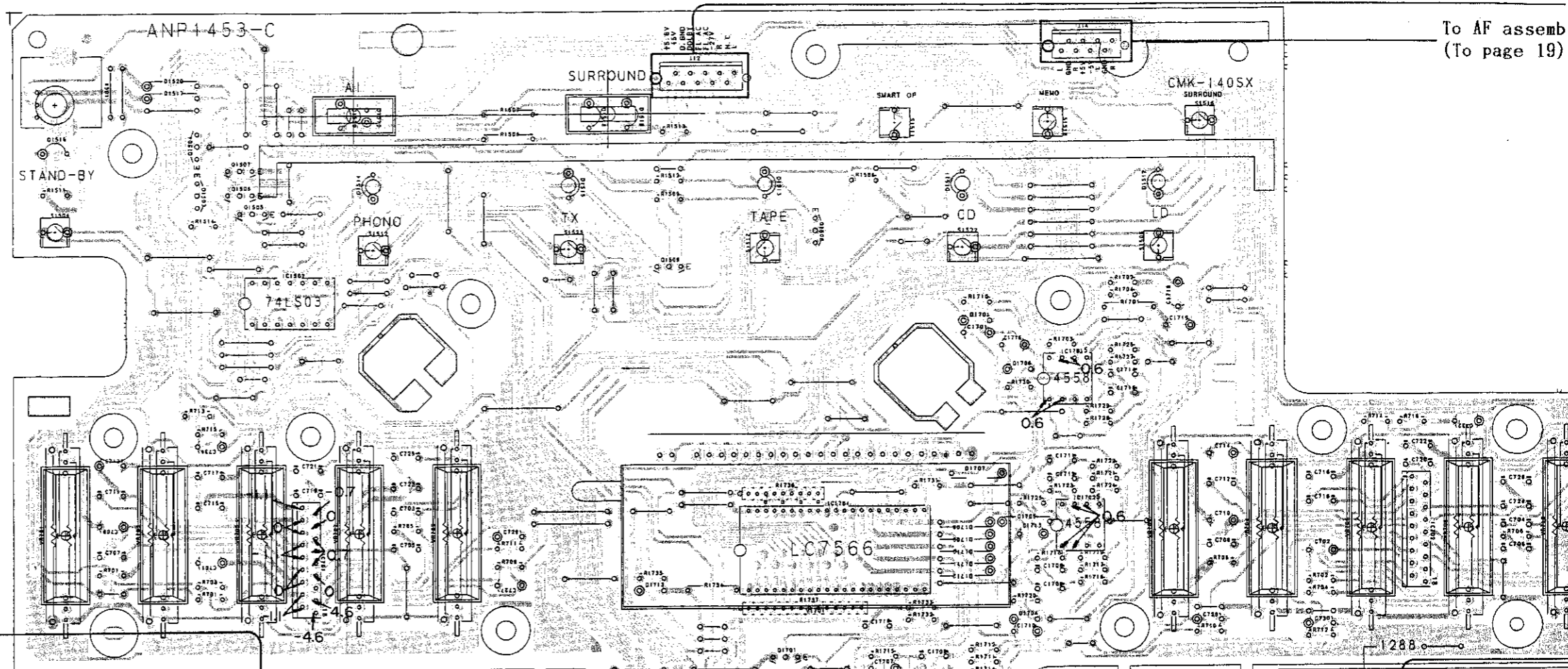
Q1503 - Q1507 IC1502 IC701 Q1509 Q1508 Q1701 IC1704 IC1703 Q1501 IC1702 IC702 Q1601 - Q1611 VR701 VR703 VR705 VR707 VR709 VR702 VR704 VR706 VR708 VR1601

NOTE: This P.C.B connection diagram is viewed from the parts mounted side. The parts which have been mounted on the board can be replaced with those shown with the corresponding wiring symbols listed in the following Table.

Table with 3 columns: P.C.B. pattern diagram indication, Corresponding part symbol, Part Name. Includes entries for Transistor, Radiator type transistor, Diode, Resistor, Capacitor (Polarity), and Capacitor (Non-polarity).

Table with 2 columns: P.C.B. pattern diagram indication, Part Name. Includes entries for IC, Switch, Relay, Coil, Filter, and Variable resistor or Semi-fixed resistor.

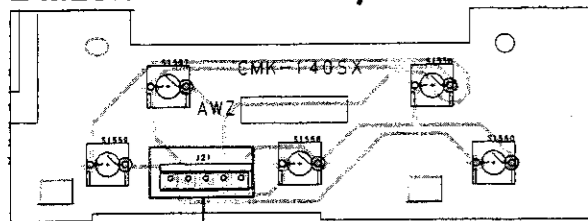
- 3. The capacitor terminal marked with (⊖) (double circles) shows negative terminal.
4. The diode terminal marked with (⊕) (double circles) shows cathode side.
5. The transistor terminal to which E is affixed shows the emitter.



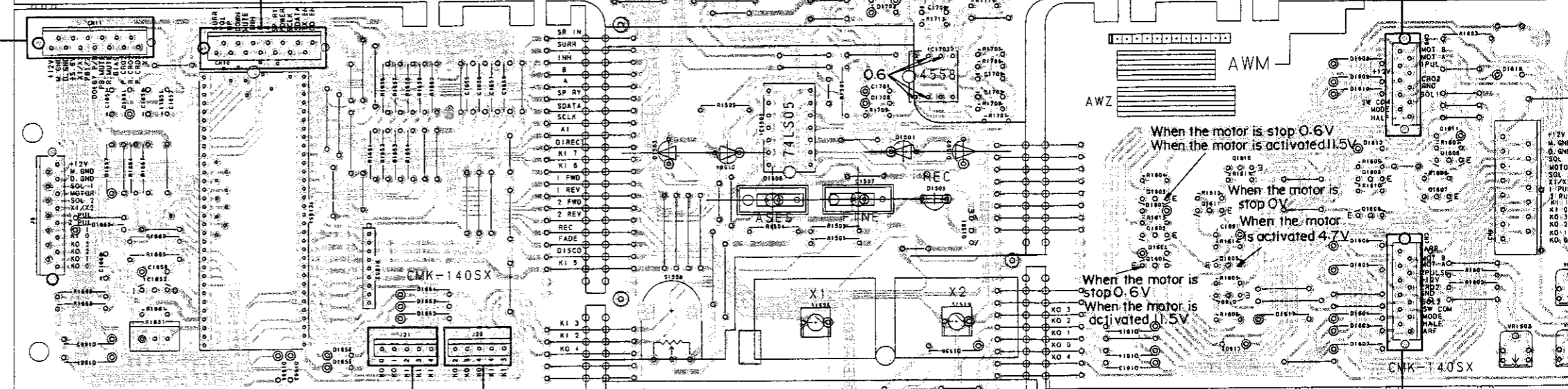
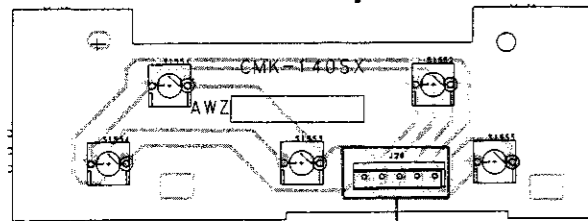
To AF assemb (To page 19)

To AF assembly CN10 (To page 19)

2 MECHA SW assembly



1 MECHA SW assembly



DISPLAY assembly (AWZ3409)

To AF assembly CN11 (To page 19)

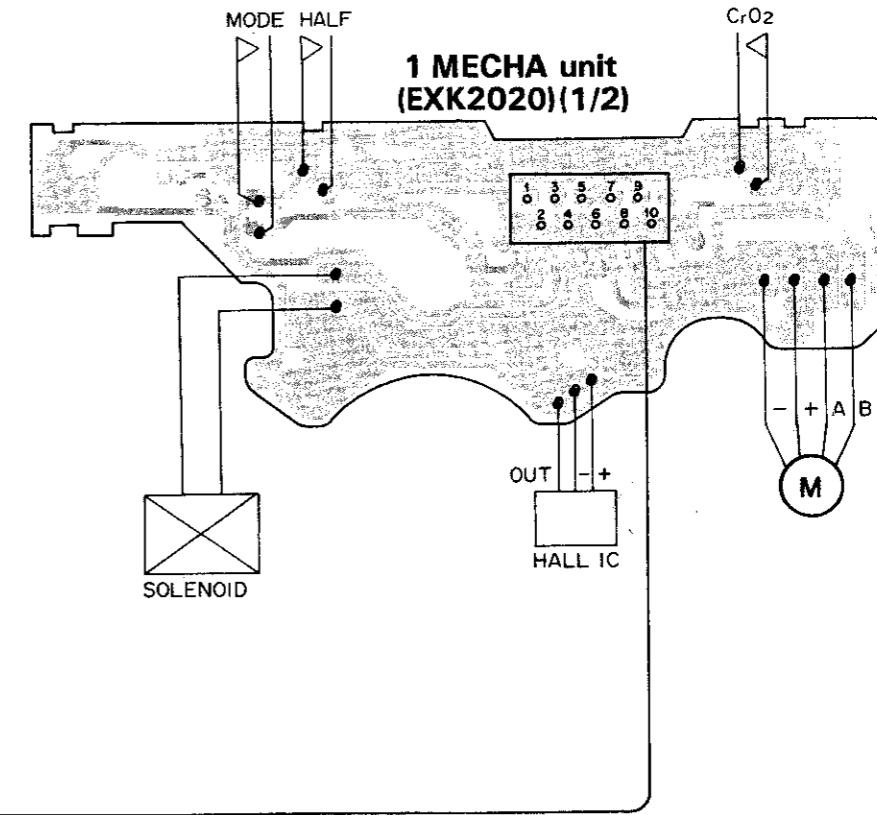
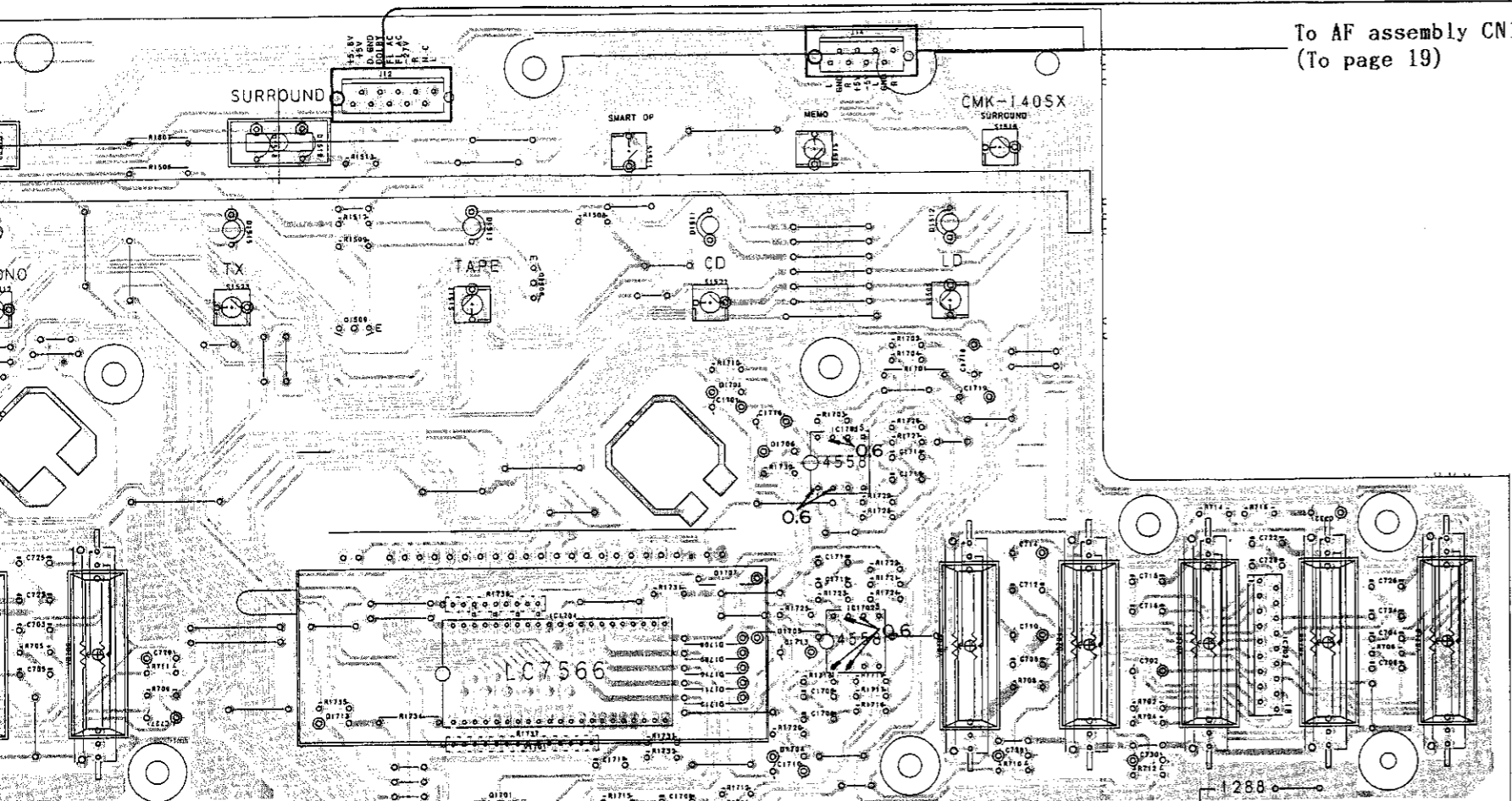
When the motor is stop 0.6V
When the motor is activated 1.5V
When the motor is stop 0V
When the motor is activated 4.7V

Q1509 Q1508 IC1701 IC1704 IC1703 IC1702 IC702
IC1501 Q1501 Q1601-Q1611

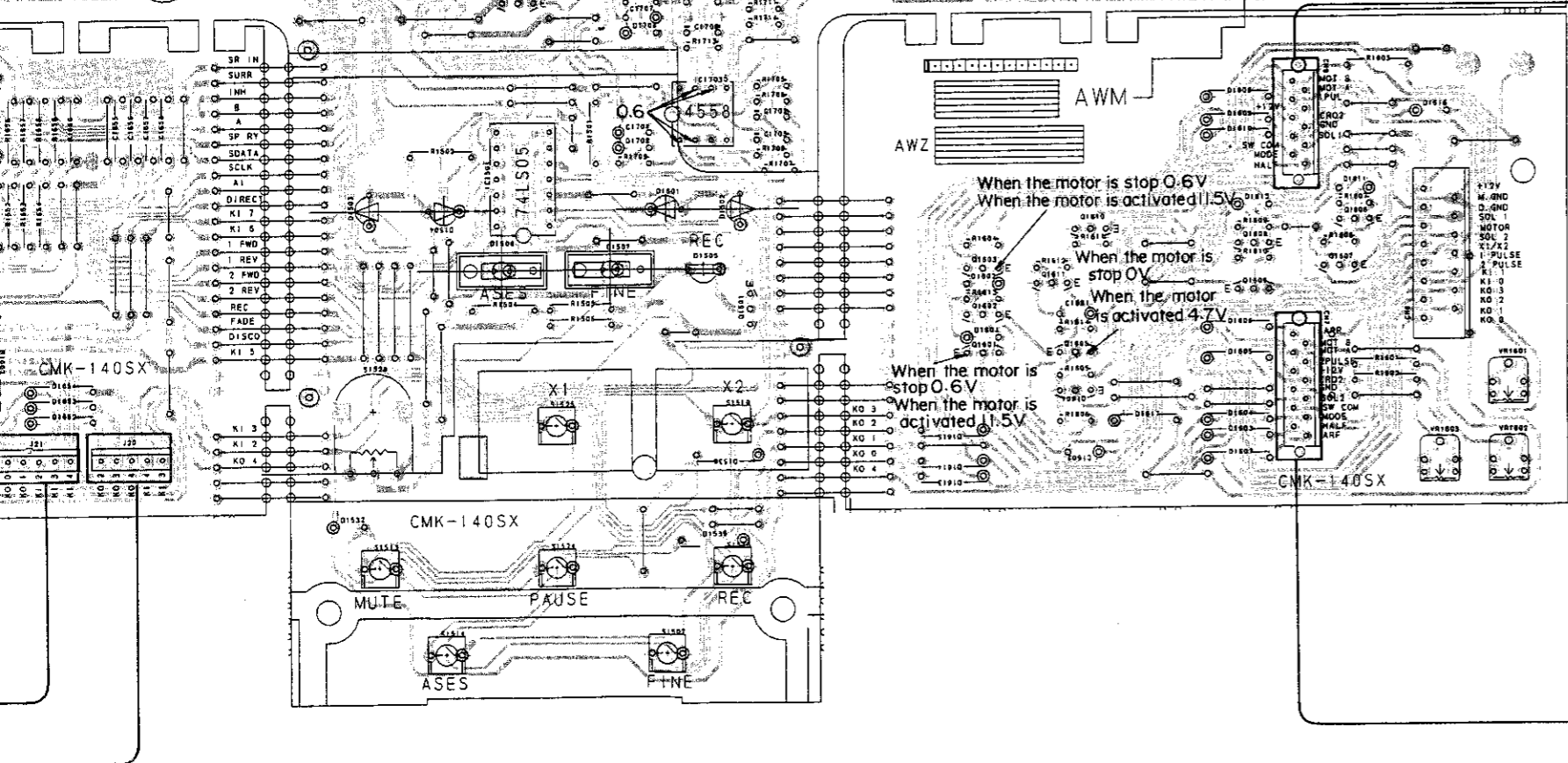
VR709 VR702 VR704 VR706 VR708 VR710 VR1601-VR1603

To AF assembly CN12
(To page 19)

To AF assembly CN14
(To page 19)



A
B



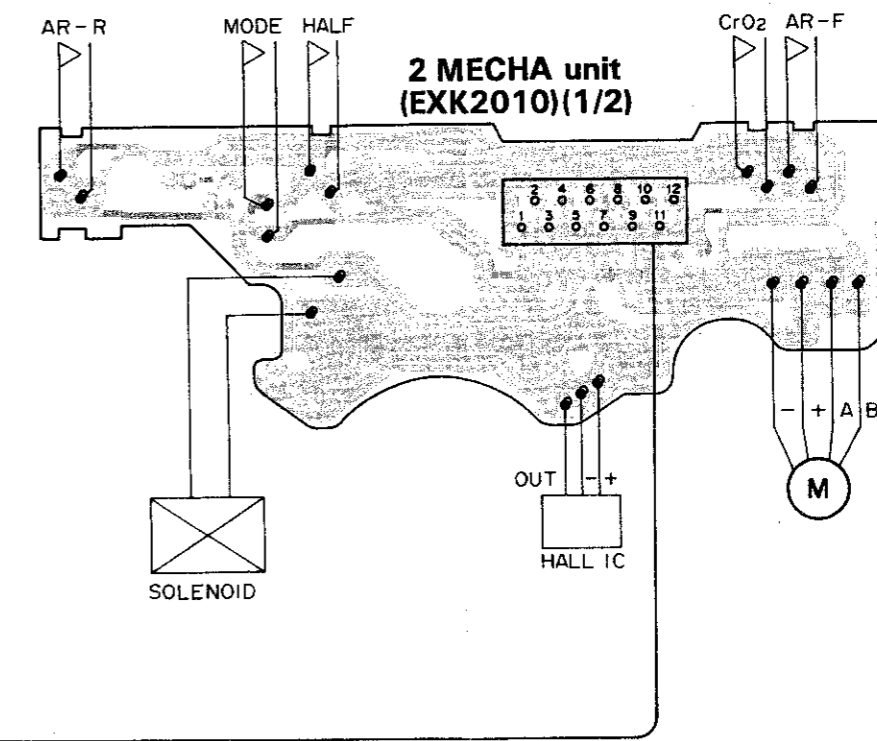
AWM
AWZ

When the motor is stop 0.6V
When the motor is activated 1.5V

When the motor is stop 0V
When the motor is activated 4.7V

When the motor is stop 0.6V
When the motor is activated 1.5V

CMK-140SX

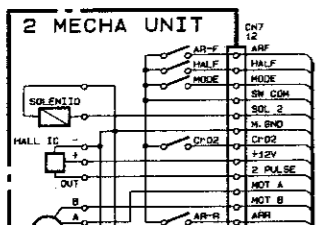
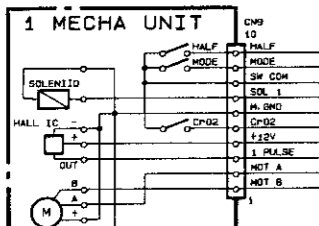
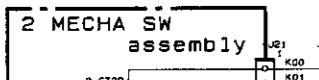
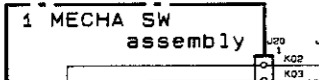
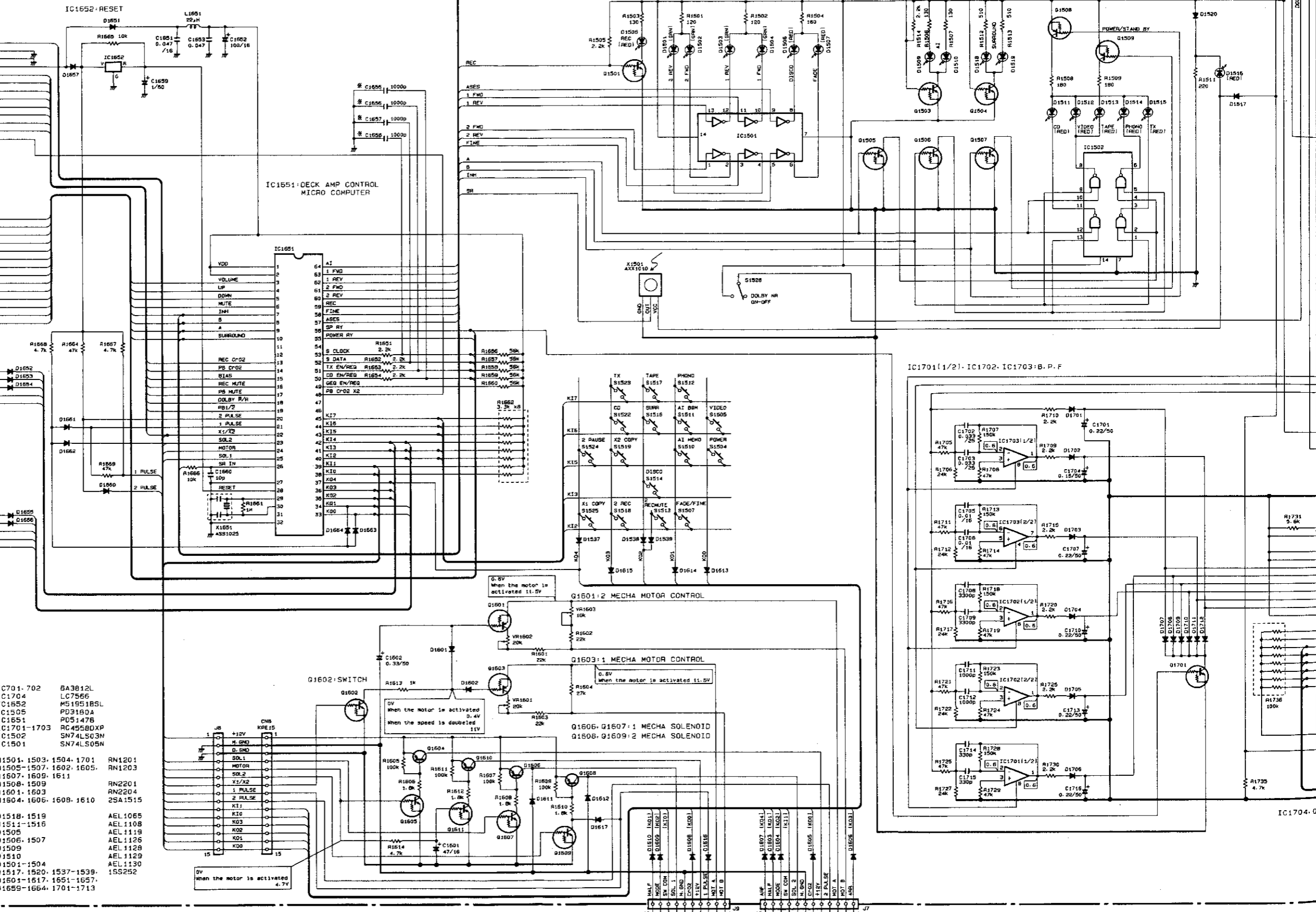


C
D

DISPLAY assembly (AWZ3409)

To AF assembly CN11
(To page 21)

To AF assembly CN10
(To page 21)



IC1701-702	6A3812L
IC1704	LC7566
IC1852	MS1951B5L
IC1505	PD3180A
IC1651	PD5147B
IC1701-1703	RC45580XP
IC1502	SN74LS03N
IC1501	SN74LS05N

Q1501, 1503, 1504, 1701	RN1201
Q1505-1507, 1602, 1605,	RN1203
Q1607, 1608, 1611	
Q1508, 1509	RN2201
Q1601, 1603	RN2204
Q1604, 1606, 1609, 1610	2SA1515

D1518, 1519	AEL1065
D1511-1516	AEL1108
D1505	AEL1119
D1506, 1507	AEL1126
D1509	AEL1129
D1510	AEL1129
D1501-1504	AEL1130
D1517, 1520, 1537-1539,	15S252
D1601-1617, 1651-1657,	
D1659-1664, 1701-1713	

Q1504, Q1605, Q1610, Q1611: MECHA POWER SUPPLY

4

5

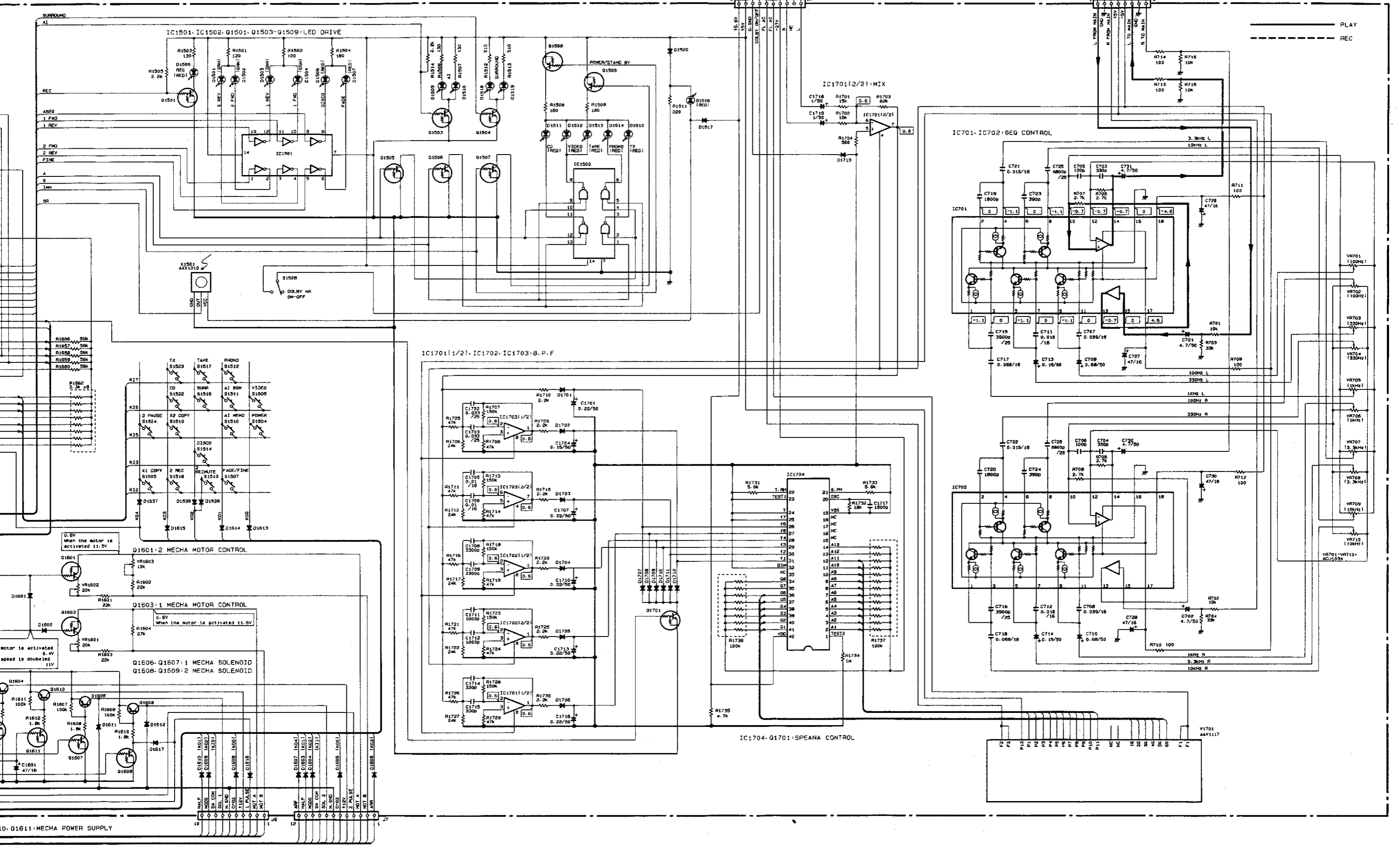
6

7

8

To AF assembly CN12
(To page 23)

To AF assembly CN14
(To page 21)



A

B

C

D

4

5

6

7

8

9

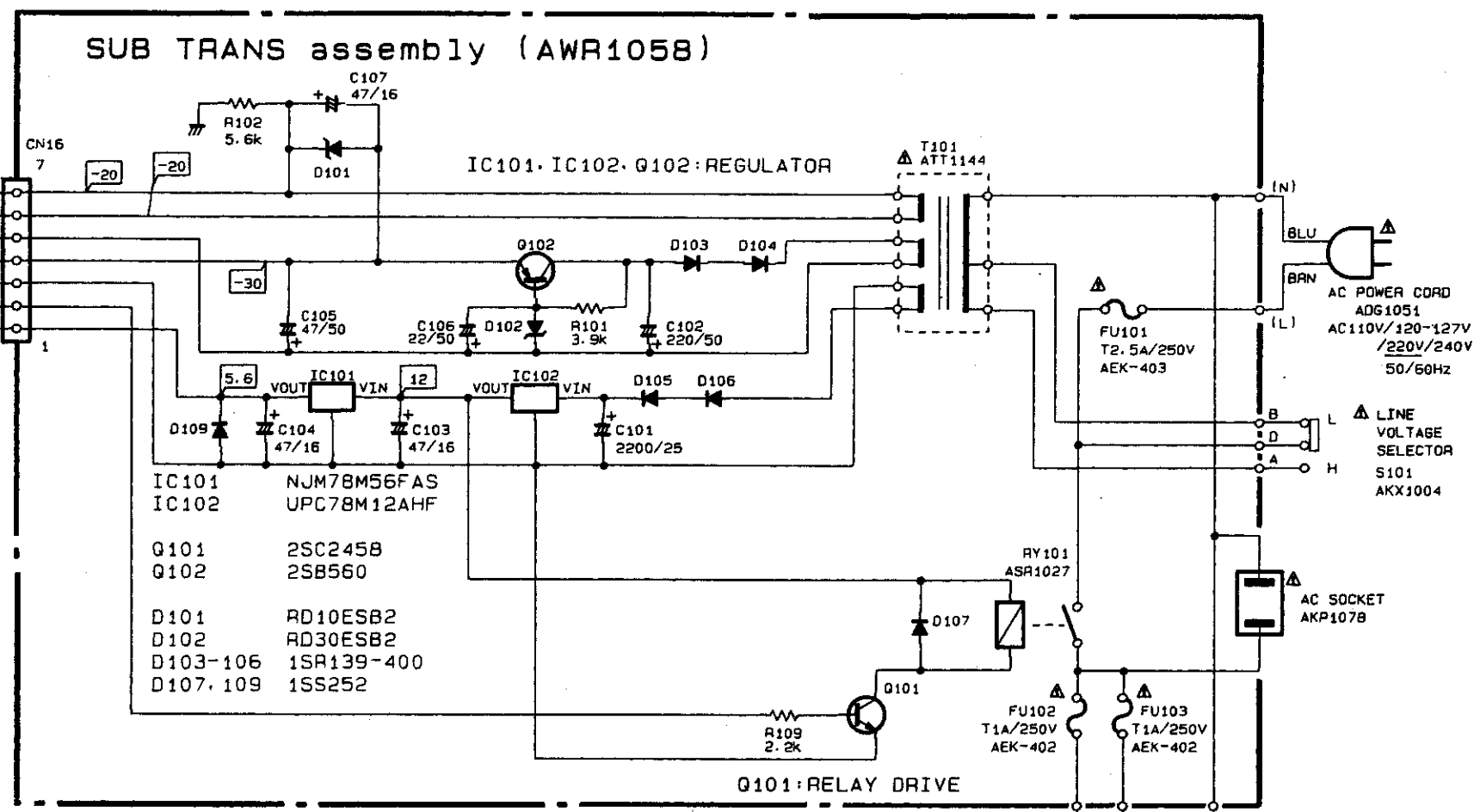
2.5 SUB TRANS (AWR1058) and TRANS CONNECT assembly

A

B

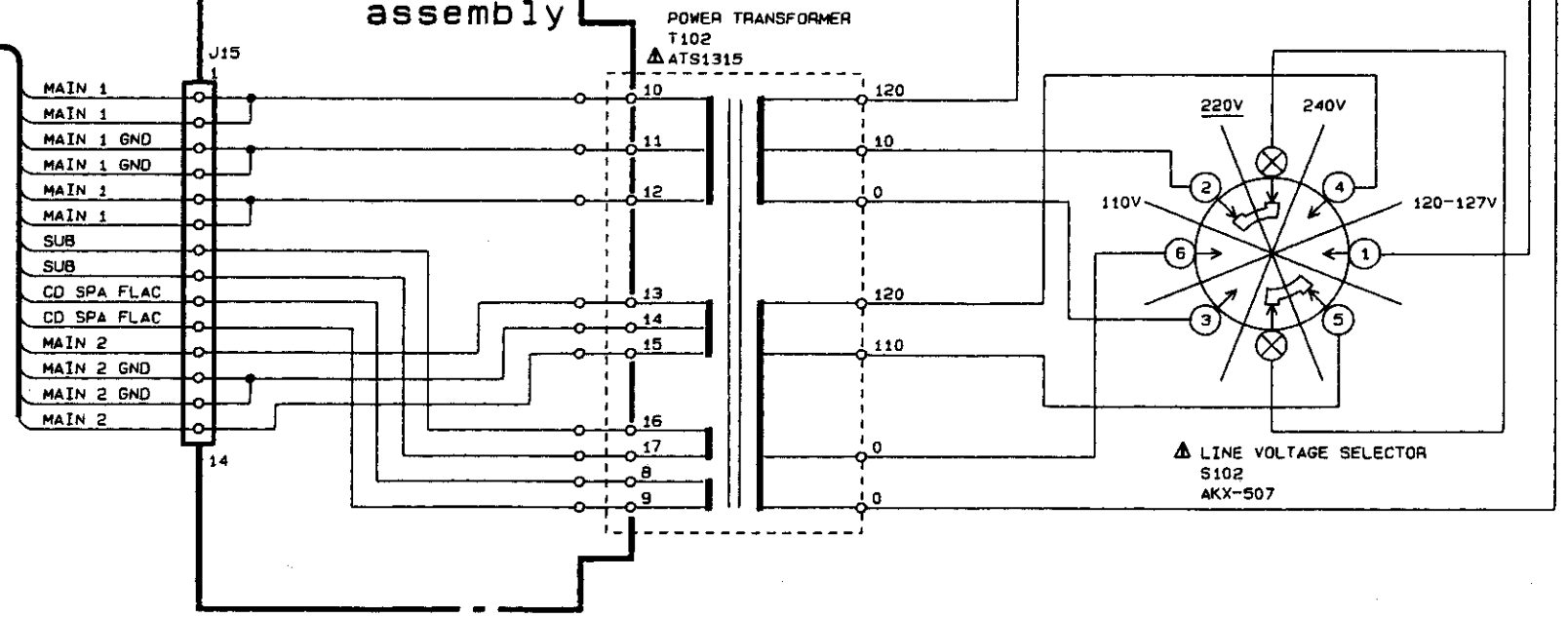
C

D



To AF assembly
CN16
(To page 24)

TRANSE CONNECT assembly



To AF assembly
CN15
(To page 24)

NOTE

1. This P.C.B connection diagram is viewed from the parts mounted side.
2. The parts which have been mounted on the board can be replaced with those shown with the corresponding wiring symbols listed in the following Table.

P.C.B. pattern diagram indication	Corresponding part symbol	Part Name
		Transistor
		Radiator type transistor
		Diode
		Resistor
		Capacitor (Polarity)
		Capacitor (Non-polarity)

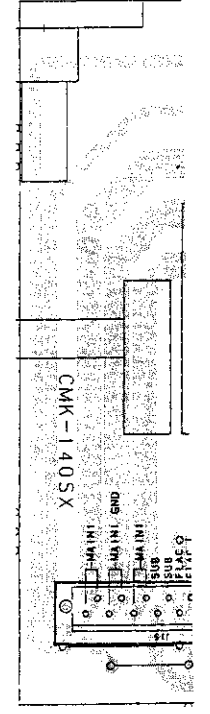
Others

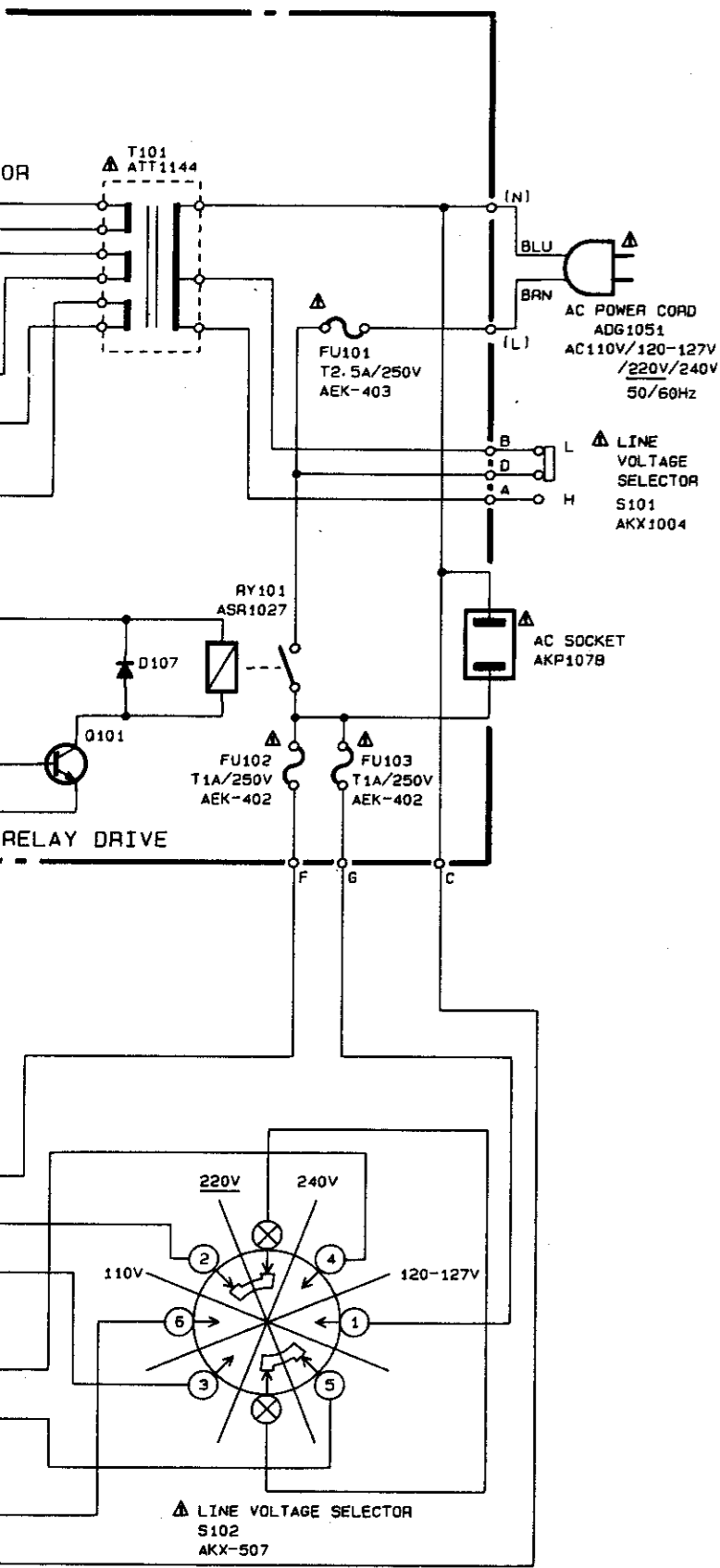
P.C.B. pattern diagram indication	Part Name
IC	IC
S	Switch
RY	Relay
L	Coil
F	Filter
VR	Variable resistor or Semi-fixed resistor

3. The capacitor terminal marked with ⊕ (double circles) shows negative terminal.
4. The diode terminal marked with ⊕ (double circles) shows cathode side.
5. The transistor terminal to which E is affixed shows the emitter.

VOL
SEL
SIO

TRANS CONI





NOTE

1. This P.C.B. connection diagram is viewed from the parts mounted side.
2. The parts which have been mounted on the board can be replaced with those shown with the corresponding wiring symbols listed in the following Table.

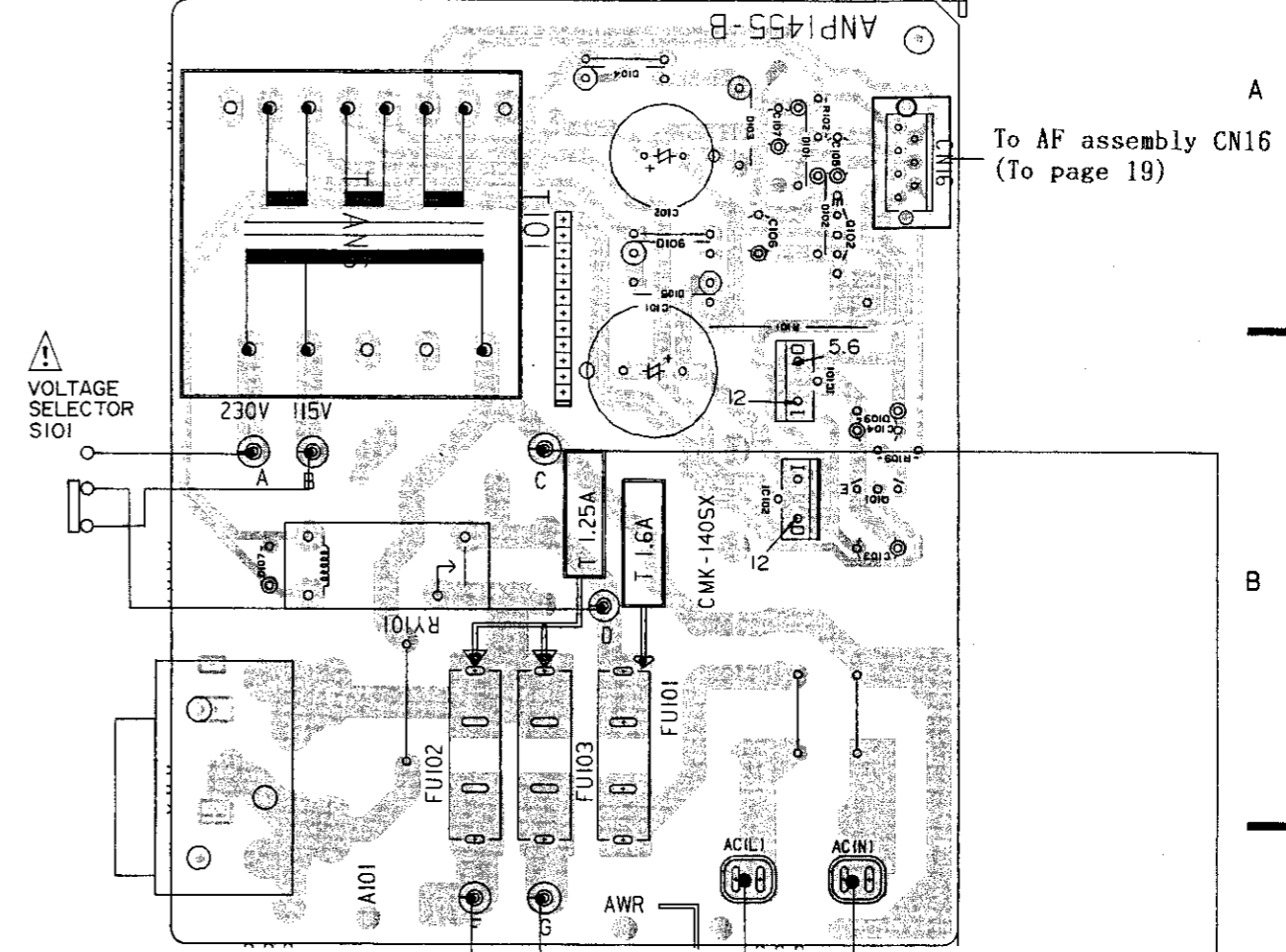
P.C.B. pattern diagram indication	Corresponding part symbol	Part Name
Q504		Transistor
Q215		Radiator type transistor
D203		Diode
R237		Resistor
C513		Capacitor (Polarity)
C518		Capacitor (Non-polarity)

Others

P.C.B. pattern diagram indication	Part Name
IC	IC
S	Switch
RY	Relay
L	Coil
F	Filter
VR	Variable resistor or Semi-fixed resistor

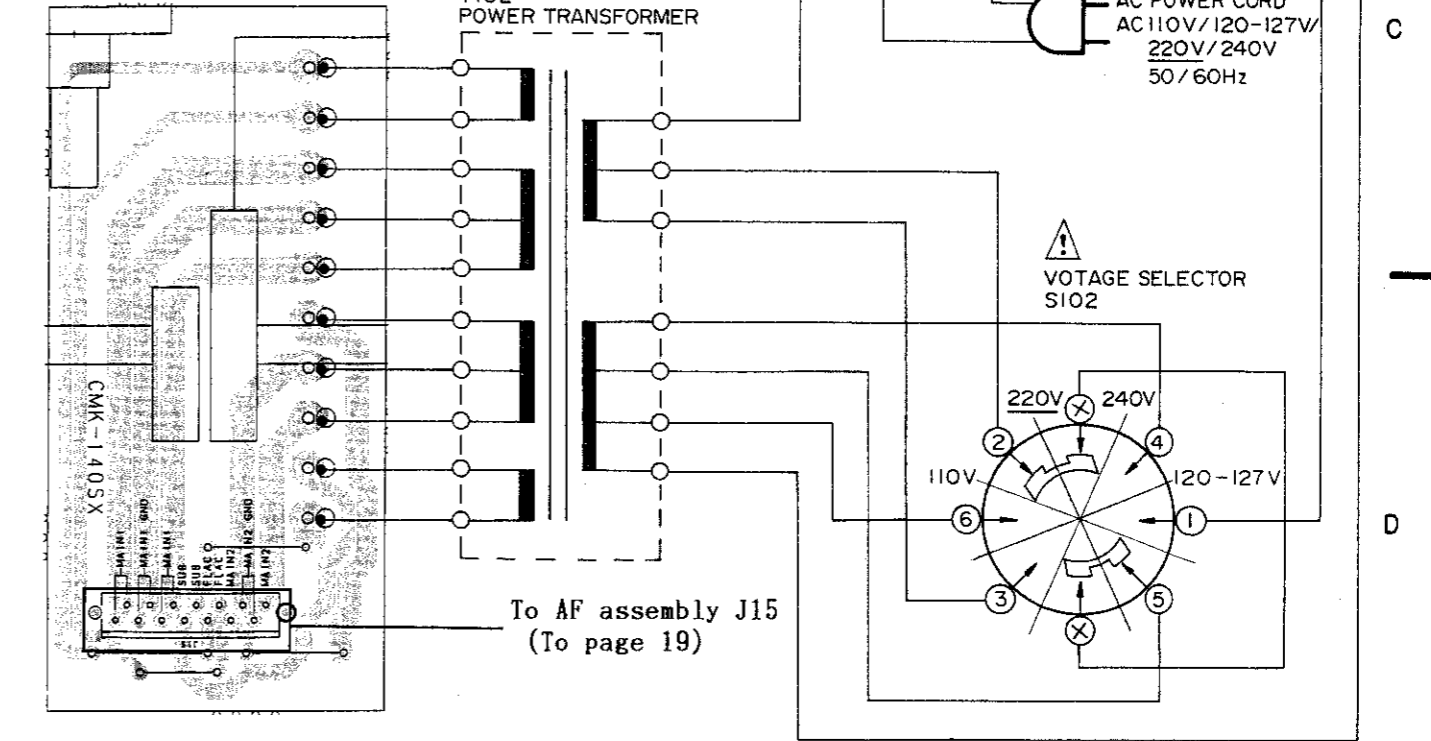
3. The capacitor terminal marked with ⊕ (double circles) shows negative terminal.
4. The diode terminal marked with ⊕ (double circles) shows cathode side.
5. The transistor terminal to which E is affixed shows the emitter.

SUB TRANS assembly (AWR1058)



To AF assembly CN16
(To page 19)

TRANS CONNECT assembly



To AF assembly J15
(To page 19)

1

2

3

SUB TRANS assembly (AWR1058)

To AF assembly 118
(To page 18)
C.M.P.

VOLTAGE
SELECTOR
2101

A

A

B

B

C

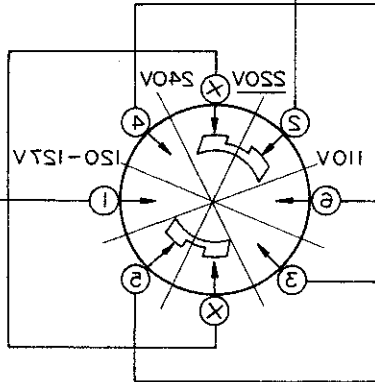
C

D

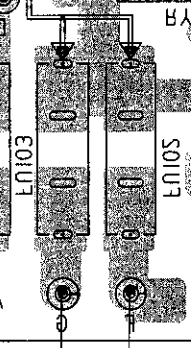
D

AC POWER CORD
AC 110V/150-157V
250V/240V
50 \ 60Hz

VOLTAGE SELECTOR
2105



CMK-1402X
A.S.I.
A.S.I.



TRANS CONNECT assembly

POWER TRANSFORMER
T105

To AF assembly 118
(To page 18)

CMK-1402X

3. P.C.B 's PARTS LIST

NOTES:

- Parts without part number cannot be supplied.
- Parts marked by "⊙" are not always kept in stock. Their delivery time may be longer than usual or they may be unavailable.
- The Δ mark found on some component parts indicates the importance of the safety factor of the part. Therefore, when replacing, be sure to use parts of identical designation.
- When ordering resistors, first convert resistance values into code form as shown in the following examples.

Ex. 1 When there are 2 effective digits (any digit apart from 0), such as 560 ohm and 47k ohm (tolerance is shown by J = 5%, and K = 10%).

560Ω	56 × 10 ¹	561.....	RD1/4PS	⊙	⊙	⊙	J
47kΩ	47 × 10 ³	473.....	RD1/4PS	⊙	⊙	⊙	J
0.5Ω	0R5.....		RN2H	⊙	⊙	⊙	K
1Ω	010.....		RS1P	⊙	⊙	⊙	K

Ex. 2 When there are 3 effective digits (such as in high precision metal film resistors).

5.62kΩ	562 × 10 ¹	5621.....	RN1/4SR	⊙	⊙	⊙	F
--------	-----------------------	-----------	---------	---	---	---	---

Mark No.	Description	Parts No.	Mark No.	Description	Parts No.
⊙ AF ASSEMBLY (AWZ3335)					
SEMICONDUCTORS					
IC1001	OP-AMP IC	RC4558DXP	D151	DIODE	D3SBA20 (A)
IC151	REGULATOR IC	NJM78M05FAS	D152-159	DIODE	1SR139-400
IC152	REGULATOR IC	NJM79M05FA	D161	ZENER DIODE	RD8.2ESB2
IC153, 154	REGULATOR IC	MC7812CT	D162	DIODE	1SS252
IC155	IC PROTECTOR	ICP-N75			
IC2001	OP-AMP IC	RC4558DXP	D2301, 2302	DIODE	1SS252
IC2002	LOGIC IC	TC4066BP	D401	ZENER DIODE	RD22EB
IC2201	OP-AMP IC	RC4558DXP	D403	DIODE	1SR139-400
IC2202	LOGIC IC	SN74LS05N	D404	DIODE	1SS252
IC2302	DOLBY-B IC	CXA1100P			
IC301	AUDIO IC	STK4142-2GP	D405	ZENER DIODE	RD6.8ESB2
IC601	OP-AMP IC	RC4558DXP	D406, 601	DIODE	1SS252
IC801	LOGIC IC	MC14052BCP			
IC802	LOGIC IC	TC4066BP			
IC803, 833	OP-AMP IC	RC4558DXP			
Q2001-2004	TRANSISTOR	2SC2458	RELAY		
Q2005, 2006	TRANSISTOR	2SC2878	RY401	RELAY	ASR1035
Q2007	TRANSISTOR	RN2203			
Q2008	TRANSISTOR	RN2201	COILS		
Q2009, 2201	TRANSISTOR	RN1201	L151	AXIAL INDUCTOR	LAU2R2K
Q2202	TRANSISTOR	RN2203	L2201, 2202	INDUCTOR	LTA392J
Q2203, 2204	TRANSISTOR	2SC2878	L501, 502	COIL	ATH-133
Q2301-2304	TRANSISTOR	2SC2458			
Q2351	TRANSISTOR	RN2203	F2351-2352	DOLBY FILTER	ATF1064
Q401-403	TRANSISTOR	2SC2458			
Q404	TRANSISTOR	RN1203	CAPACITORS		
Q405	TRANSISTOR	2SC2458	C1001-1004	CERAMIC CAPACITOR	CCMSL101J50
Q406	TRANSISTOR	2SA1048	C1005	CERAMIC CAPACITOR	CKSQYB152K50
Q601	TRANSISTOR	RN2203	C1006	CERAMIC CAPACITOR	CKDYB152K50
Q602	N-FET	2SK246	C1007, 1008	CERAMIC CAPACITOR	CKDYB562K50
Q801	TRANSISTOR	RN2203	C1009-1012	ELECTR.CAPACITOR	CEAS2R2M50
Q802	TRANSISTOR	RN1203	C1015, 1016	ELECTR.CAPACITOR	CEAS470M16
Q803	TRANSISTOR	RN2203	C151, 152	ELECTROLYTIC CAPACIT (2200/42)	ACH1109
			C153	ELECTR.CAPACITOR	CEAS222M16
			C154	ELECTR.CAPACITOR	CEAS102M16
			C155, 156	ELECTR.CAPACITOR	CEAS220M16
			C157	ELECTR.CAPACITOR	CEAS222M25
			C158, 159	ELECTR.CAPACITOR	CEAS220M25
			C160	ELECTR.CAPACITOR	CEAS100M25
			C161	CERAMIC CAPACITOR	CKDYB103K500
			C162	CKA (0.01/AC250V)	ACG1005

Mark No.	Description	Parts No.	Mark No.	Description	Parts No.
C2007, 2008	MYLOR FILM CAPACITOR	CQMA273J50	R2007, 2008	CHIP RESISTOR	RS1/10S332J
C2009, 2010	MYLOR FILM CAPACITOR	CQMA183J50	R2009, 2010	CHIP RESISTOR	RS1/10S105J
C2011, 2012	CERAMIC CAPACITOR	CKSQYB152K50	R2011	CHIP RESISTOR	RS1/10S472J
C2201-2204	ELECTR.CAPACITOR	CEAS010M50	R2014	CHIP RESISTOR	RS1/10S472J
C2205, 2206	CHIP CAPACITOR	CKSQYB222K50	R2016	CHIP RESISTOR	RS1/10S472J
C2207, 2208	AUDIO FILM CAPACITOR	CFTXA104J50	R2019, 2020	CHIP RESISTOR	RS1/10S154J
C2209, 2210	ELECTR.CAPACITOR	CEAS330M16	R2021, 2022	CHIP RESISTOR	RS1/10S222J
C2211, 2212	CERAMIC CAPACITOR	CKCYX183M25	R2207, 2208	CHIP RESISTOR	RS1/10S104J
C2213, 2214	MYLOR FILM CAPACITOR	CQMA752J50	R2209, 2210	CHIP RESISTOR	RS1/10S683J
C2215, 2216	CERAMIC CAPACITOR	CKSQYB562K50	R2211, 2212	CHIP RESISTOR	RS1/10S223J
C2217, 2218	MYLOR FILM CAPACITOR	CQMA273J50	R2213, 2214	CHIP RESISTOR	RS1/10S333J
C2221, 2222	ELECTR.CAPACITOR	CEAS2R2M50	R2223, 2224	CHIP RESISTOR	RS1/10S471J
C2225, 2226	ELECTR.CAPACITOR	CEAS470M16	R2226	CHIP RESISTOR	RS1/10S681J
C2303, 2304	ELECTR.CAPACITOR	CEAS010M50	R2233, 2234	CHIP RESISTOR	RS1/10S102J
C2305	ELECTR.CAPACITOR	CEAS220M16	R2301, 2302	CHIP RESISTOR	RS1/10S273J
C2306	ELECTR.CAPACITOR	CEAS220M25	R2303, 2304	CHIP RESISTOR	RS1/10S362J
C2351, 2352	ELECTR.CAPACITOR	CEAS100M50	R2305, 2306	CHIP RESISTOR	RS1/10S103J
C2353, 2354	ELECTR.CAPACITOR	CEASR22M50	R2317, 2318	CHIP RESISTOR	RS1/10S222J
C2355	ELECTR.CAPACITOR	CEAS101M10	R2351, 2352	CHIP RESISTOR	RS1/10S242J
C2356-2359	ELECTR.CAPACITOR	CEAS100M50	R2355, 2356	CHIP RESISTOR	RS1/10S682J
C301, 302	ELECTR.CAPACITOR	CEAS2R2M50	R2357	CHIP RESISTOR	RS1/10S433J
C303, 304	CERAMIC CAPACITOR	CKMYB331K50	R2361, 2362	CHIP RESISTOR	RS1/10S222J
C305, 306	ELECTR.CAPACITOR	CEAS220M50	R2363, 2364	CHIP RESISTOR	RS1/10S273J
C307, 308	ELECTR.CAPACITOR	CEAS101M25	R2366	CHIP RESISTOR	RS1/10S103J
C309	ELECTR.CAPACITOR	CEANP220M50	R305, 306	CARBON FILM RESISTOR	RD1/4PM104J
C310	ELECTR.CAPACITOR	CEANP100M50	R309-312	CARBON FILM RESISTOR	RD1/4PM222J
C311, 312	ELECTR.CAPACITOR	CEAS100M50	R313	CARBON FILM RESISTOR	RD1/4PMFL471J
C313	ELECTROLYTIC CAPACIT (47/50)	ACH1143	R314	CARBON FILM RESISTOR	RD1/4PMFL101J
C401-404	CERAMIC CAPACITOR	CKCYF473Z50	R315	CARBON FILM RESISTOR	RD1/4PM102J
C405	ELECTR.CAPACITOR	CEAS221M16	R316, 317	CARBON FILM RESISTOR	RD1/4PMFL222J
C406	ELECTR.CAPACITOR	CEAS330M25	R318	CARBON FILM RESISTOR	RD1/4PMFL101J
C407	ELECTR.CAPACITOR	CEAS221M16	R401, 402	CARBON FILM RESISTOR	RD1/4PM100J
C408	ELECTR.CAPACITOR	CEAS100M50	R409	CARBON FILM RESISTOR	RD1/2PM182J
C501	ELECTR.CAPACITOR (5600/50)	ACH1144	R416	METAL OXIDE RESISTOR	RS2LMF181J
C601, 602	CERAMIC CAPACITOR	CKMYB471K50	R417	METAL OXIDE RESISTOR	RS2LMF331J
C603, 604	ELECTR.CAPACITOR	CEAS2R2M50	R501, 502	CARBON FILM RESISTOR	RD1/4PMFL100J
C605	CERAMIC CAPACITOR	CKSQYB681K50	R805, 806	CHIP RESISTOR	RS1/10S273J
C606	CERAMIC CAPACITOR	CKCYF473Z50	R843, 844	CHIP RESISTOR	RS1/10S223J
C831, 832	CERAMIC CAPACITOR	CCMSL101J50	R855, 856	CHIP RESISTOR	RS1/10S332J
			R857	CHIP RESISTOR	RS1/10S104J
			R858	CHIP RESISTOR	RS1/10S000J
				Other resistors	RD1/8PM□□□J
RESISTORS					
VR2201, 2202	VR	VRTB6VS222			
R1013	CHIP RESISTOR	RS1/10S104J			
R159-162	CARBON FILM RESISTOR	RD1/4PM100J			
R163, 164	METAL OXIDE RESISTOR	RS2LMFR22J			
R2003, 2004	CHIP RESISTOR	RS1/10S122J			
R2005, 2006	CHIP RESISTOR	RS1/10S105J			

Mark No.	Description	Parts No.
OTHERS		
	PIN JACK (6P)	AKB1121
	2P PIN JACK	AKB1146
	SPEAKER TERMINAL 4-P	AKE-109
	SOCKET (4P)	AKP1046
	JACK (DC)	AKN-203
	SOCKET (14P)	AKP1048
CN10	CONNECTOR (14P)	KPE14
CN11	CONNECTOR (13P)	KPE13
CN12	CONNECTOR (10P)	KPE10
CN14	CONNECTOR (8P)	KPE8
CN16	CONNECTOR (7P)	KPE7
CN4	CONNECTOR (13P)	KPE13
CN5	CONNECTOR (5P)	KPE5
CN6	CONNECTOR (4P)	KPC4

VR ASSEMBLY

SEMICONDUCTORS

IC551	OP-AMP IC	RC4558DXP
IC552	MECHANISM DRIVER IC	TA7291S
Q551, 552	TRANSISTOR	2SC2878
Q553	TRANSISTOR	RN2203

CAPACITORS

C551, 552	ELECTR. CAPACITOR	CEAS4R7M50
C553, 554	CHIP CAPACITOR	CCSQCH101J50
C555, 556	ELECTR. CAPACITOR	CEAS101M16
C557	ELECTR. CAPACITOR	CEAS220M25
C558	CERAMIC CAPACITOR	CKSQYF104Z50
C559	CERAMIC CAPACITOR	CKCYF473Z50

RESISTORS

VR551	VARIABLE RESISTOR (WITH MOTOR)	ACX1051
R554	CHIP RESISTOR	RS1/10S000J
R555, 556	CHIP RESISTOR	RS1/10S104J
R561	CHIP RESISTOR	RS1/10S000J
R565, 566	CHIP RESISTOR	RS1/10S102J
	Other resistors	RD1/8PM□□□J

HEAD PHONE ASSEMBLY

CAPACITORS

C453	CERAMIC CAPACITOR	CKDYF473Z50
------	-------------------	-------------

RESISTORS

R451, 452	METAL OXIDE RESISTOR	RS1LMF331J
R453	CARBONFILM RESISTOR	RD1/8PM100J

Mark No.	Description	Parts No.
OTHERS		
	JACK (HEAD PHONE)	AKN1010

TRANS CONNECT ASSEMBLY

No parts are supplied with the TRANS CONNECT ASSEMBLY.

© **DISPLAY ASSEMBLY (AWZ3409)**

SEMICONDUCTORS

IC1501	LOGIC IC	SN74LS05N
IC1502	LOGIC IC	SN74LS03N
IC1651	SYSTEM CONT. μ-COM	PD5147B
IC1652	RESET IC	M51951BSL
IC1701-1703	OP-AMP IC	RC4558DXP
IC1704	GEQ FL DRIVER IC	LC7566
IC701, 702	AUDIO IC	BA3812L
Q1501	TRANSISTOR	RN1201
Q1503, 1504	TRANSISTOR	RN1201
Q1505-1507	TRANSISTOR	RN1203
Q1508, 1509	TRANSISTOR	RN2201
Q1601	TRANSISTOR	RN2204
Q1602	TRANSISTOR	RN1203
Q1603	TRANSISTOR	RN2204
Q1604	TRANSISTOR	2SA1515
Q1605	TRANSISTOR	RN1203
Q1606	TRANSISTOR	2SA1515
Q1607	TRANSISTOR	RN1203
Q1608	TRANSISTOR	2SA1515
Q1609	TRANSISTOR	RN1203
Q1610	TRANSISTOR	2SA1515
Q1611	TRANSISTOR	RN1203
Q1701	TRANSISTOR	RN1201
D1501-1504	LED (GREEN)	AEL1130
D1505	LED (RED)	AEL1119
D1506, 1507	LED (RED)	AEL1126
D1509	LED	AEL1128
D1510	LED (GREEN)	AEL1129
D1511-1516	LED (RED)	AEL1108
D1517	DIODE	1SS252
D1518, 1519	LED (RED)	AEL1065
D1520	DIODE	1SS252
D1537-1539	DIODE	1SS252
D1601-1617	DIODE	1SS252
D1651-1657	DIODE	1SS252
D1660-1664	DIODE	1SS252
D1701-1713	DIODE	1SS252

Mark No.	Description	Parts No.	Mark No.	Description	Parts No.
SWITCHES			C731, 732	ELECTROLYTIC CAPACIT	CEJA4R7M50
S1504, 1505	SWITCH	ASG1034	RESISTORS		
S1507	SWITCH	ASG1034	VR1601, 1602	VR (20kΩ)	VRTM6V203
S1510-1514	SWITCH	ASG1034	VR1603	VR (10kΩ)	VRTM6V103
S1516-1519	SWITCH	ASG1034	VR701-710	VR (30kΩ)	ACU1034
S1522-1525	SWITCH	ASG1034	R1662	RESISTOR ARRAY (3.3k)	RA8T332J
S1528	SWITCH	ASD1012	R1736	RESISTOR ARRAY (100k)	RA8T104J
COIL			R1737	RESISTOR ARRAY (100k)	RA13T104J
L1651	AXIAL INDUCTOR	LAU220K	Other resistors		
CAPACITORS			RD1/8PM□□□□		
C1601	ELECTR.CAPACITOR	CEAS470M16	OTHERS		
C1602	ELECTR.CAPACITOR	CEASR33M50	REMOTE RECEIVER UNIT		
C1651	CERAMIC CAPACITOR	CKDYX473M16	V1701	FL TUBE	AAV1117
C1652	ELECTR.CAPACITOR	CEAS101M16	X1651	CERAMIC RESONATOR	ASS1025
C1653	CERAMIC CAPACITOR	CKCYF473Z50	CN8	CONNECTOR (15P)	KPE15
C1655-1658	CERAMIC CAPACITOR	ACG1020	1 MECHA SW ASSEMBLY		
C1659	ELECTR.CAPACITOR	CEAS010M50	SWITCHES		
C1660	CERAMIC CAPACITOR	CCDSL100D50	S1551-1555	SWITCH	ASG1034
C1701	ELECTR.CAPACITOR	CEASR22M50	2 MECHA SW ASSEMBLY		
C1702, 1703	CERAMIC CAPACITOR	CKDYX333M25	SWITCHES		
C1704	ELECTROLYTIC CAPACIT	CEASR15M50	S1556-1560	SWITCH	ASG1034
C1705, 1706	CERAMIC CAPACITOR	CKDYX103M16	◎ SUB TRANS ASSEMBLY (AWR1058)		
C1707	ELECTROLYTIC CAPACIT	CEJAR22M50	SEMICONDUCTORS		
C1708, 1709	CERAMIC CAPACITOR	CKCYB332K50	IC101	REGULATOR IC	NJM78M56FAS
C1710	ELECTR.CAPACITOR	CEASR22M50	IC102	REGULATOR IC	UPC78M12AHF
C1711, 1712	CERAMIC CAPACITOR	CKMYB102K50	Q101	TRANSISTOR	2SC2458
C1713	ELECTR.CAPACITOR	CEASR22M50	Q102	TRANSISTOR	2SB560
C1714, 1715	CERAMIC CAPACITOR	CKMYB331K50	D101	ZENER DIODE	RD10ESB2
C1716	ELECTR.CAPACITOR	CEASR22M50	D102	ZENER DIODE	RD30ESB2
C1717	CERAMIC CAPACITOR	CKMYB152K50	D103-106	DIODE	1SR139-400
C1718, 1719	ELECTR.CAPACITOR	CEAS010M50	D107, 109	DIODE	1SS252
C701, 702	ELECTR.CAPACITOR	CEAS4R7M50	RELAY		
C703, 704	CERAMIC CAPACITOR	CKMYB331K50	RY101	RELAY	ASR1027
C705, 706	CERAMIC CAPACITOR	CCDSL101J50	TRANSFORMER		
C707, 708	CERAMIC CAPACITOR	CKDYX393M16	T101	POWER TRANSFORMER	ATT1144
C709, 710	ELECTR.CAPACITOR	CEASR68M50			
C711, 712	CERAMIC CAPACITOR	CKDYX183M16			
C713, 714	ELECTROLYTIC CAPACIT	CEJAR15M50			
C715, 716	CERAMIC CAPACITOR	CGMYX392M25			
C717, 718	CERAMIC CAPACITOR	CKDYX683M16			
C719, 720	CERAMIC CAPACITOR	CGMYB182M50			
C721, 722	CERAMIC CAPACITOR	CKDYX153M16			
C723, 724	CERAMIC CAPACITOR	CKMYB391K50			
C725, 726	CERAMIC CAPACITOR	CGMYX682M25			
C727, 728	ELECTR.CAPACITOR	CEAS470M16			
C729, 730	ELECTROLYTIC CAPACIT	CEJA470M16			

Mark No.	Description	Parts No.
CAPACITORS		
C101	ELECTR.CAPACITOR	CEAS222M25
C102	ELECTR.CAPACITOR	CEAS221M50
C103, 104	ELECTR.CAPACITOR	CEAS470M16
C105	ELECTR.CAPACITOR	CEAS470M50
C106	ELECTR.CAPACITOR	CEAS220M50
C107	ELECTR.CAPACITOR	CEAS470M16

RESISTORS		
R101	CARBONFILM RESISTOR	RD1/4PMF392J
R102	CARBONFILM RESISTOR	RD1/8PM562J
R109	CARBONFILM RESISTOR	RD1/8PM222J

OTHERS		
CN	AC SOCKET (1P)	AKP1078

1 MECHA ASSEMBLY

CAPACITORS		
C2001, 2002	CERAMIC CAPACITOR	CKMYB391K50
C2005, 2006	AUDIO FILM CAPACITOR	CFTXA223J50
C2007, 2008	ELECTR.CAPACITOR	CEAS4R7M50
C2009, 2010	ELECTR.CAPACITOR	CEAS470M10

RESISTORS		
VR2001, 2002	VR	VRTM6H202
	Other resistors	RD1/8PM□□□J

2 MECHA ASSEMBLY

SEMICONDUCTORS		
IC2001, 2021	OP-AMP IC	RC4558DXP
Q2021, 2022	N-FET	2SK373
Q2251	TRANSISTOR	RN1201
Q2252	TRANSISTOR	2SA1515
Q2253, 2254	TRANSISTOR	2SC3377
Q2255	TRANSISTOR	2SC2458
D2021-2026	DIODE	1SS252

COILS & TRANSFORMER		
L2204, 2205	INDUCTOR	LTA822J
T2251	OSC TRANSFORMER	ATX-043

Mark No.	Description	Parts No.
CAPACITORS		
C2021, 2022	CERAMIC CAPACITOR	CCMSL100D50
C2023, 2024	CERAMIC CAPACITOR	CKMYB391K50
C2027, 2028	AUDIO FILM CAPACITOR	CFTXA223J50
C2029, 2030	ELECTR.CAPACITOR	CEAS4R7M50
C2031, 2032	ELECTR.CAPACITOR	CEAS470M10

C2219, 2220	CERAMIC CAPACITOR	CCDSL271K500
C2223, 2224	CERAMIC CAPACITOR	CKDYB681K50
C2251	ELECTR.CAPACITOR	CEAS470M16
C2252, 2253	CERAMIC CAPACITOR	CGMYX103M16
C2254	CERAMIC CAPACITOR	CKMYB221K50
C2255	MYLOR FILM CAPACITOR	CQMA153K50
C2256	CERAMIC CAPACITOR	CKMYB681K50
C2257	MYLOR FILM CAPACITOR	CQMA123K250
C2258	ELECTR.CAPACITOR	CEAS4R7M50
C2259, 2260	CERAMIC CAPACITOR	CCCSL101K500
C2261	MYLOR FILM CAPACITOR	CQMA562K400
C2262	CQPA (2000p/630V)	ACE1020
C2263	ELECTR.CAPACITOR	CEAS100M50

RESISTORS		
VR2021, 2022	VR	VRTM6V202
VR2251, 2252	VR	VRTM6H204
R2253	CARBON FILM RESISTOR	RD1/2PM360J
	Other resistors	RD1/8PM□□□J

MIC assembly

SEMICONDUCTORS		
IC901	OP-AMP IC	NJM4558S-X

CAPACITORS		
C901	CERAMIC CAPACITOR	CKMYB681K50
C902	ELECTR.CAPACITOR	CEAS010M50
C903	CERAMIC CAPACITOR	CKMYB471K50
C904, 905	ELECTR.CAPACITOR	CEAS100M25
C906, 907	CERAMIC CAPACITOR	CKDYX473M16
C908	CERAMIC CAPACITOR	CKDYF473Z50

RESISTORS		
VR901	VR (10kΩ)	ACS1065
	Other resistors	RD1/8PM□□□J

OTHERS		
	MIC JACK	AKN1017

4. FOR YPW TYPE

NOTES:

- Parts without part number cannot be supplied.
- The \triangle mark found on some component parts indicates the importance of the safety factor of the part. Therefore, when replacing, be sure to use parts of identical designation.
- Parts marked by "⊙" are not always kept in stock. Their delivery time may be longer than usual or they may be unavailable.

4.1 CONTRAST OF MISCELLANEOUS PARTS

The DC-Z74/YPW type is the same as the DC-Z74/SD type with the exception of the following sections.

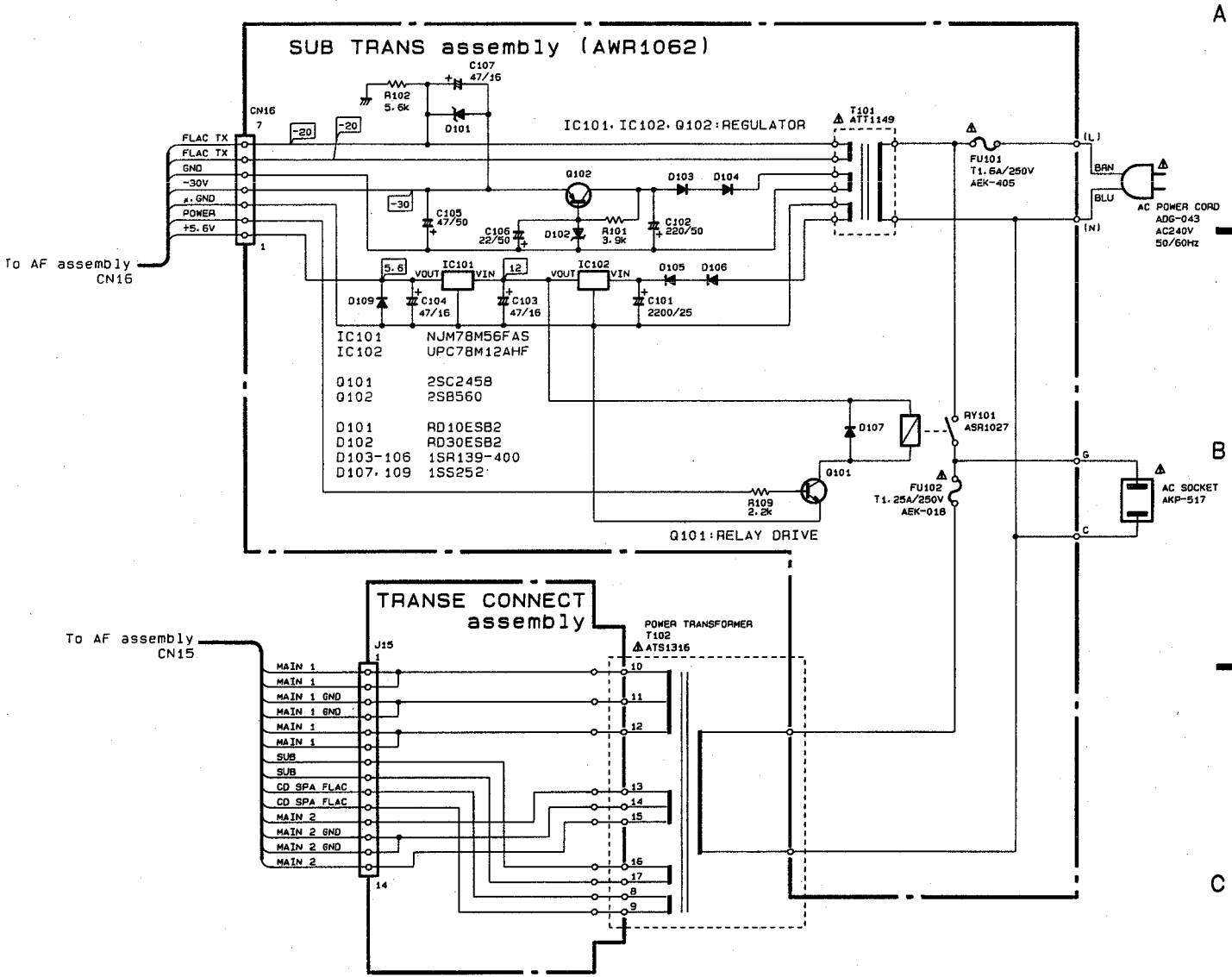
Mark	Symbol & Description	Part No.		Remarks
		DC-Z74/SD type	DC-Z74/YPW type	
⊙	SUB TRANS assembly	AWR1058	AWR1062	
\triangle	S101 Line voltage selector switch	AKX1004	
\triangle	S102 Line voltage selector switch	AKX-507	
\triangle	T102 Power transformer	ATS1315	ATS1316	
\triangle	FU101 (T2.5A/250V)	AEK-403	
\triangle	FU101 (T1.6A/250V)	AEK-405	
\triangle	FU102 (T1A/250V)	AEK-402	
\triangle	FU102 (T1.25A/250V)	AEK-018	
\triangle	FU103 (T1A/250V)	AEK-402	
\triangle	AC Power cord	ADG1051	ADG-043	
\triangle	AC socket (OUTLET 1P)	AKP-517	
	Operating instructions (Spanish)	ARC1232	

4.2 SUB TRANS assembly (AWR1062)

The SUB TRANS assembly (AWR1062) is the same as the SUB TRANS assembly (AWR1058) with the exception of the following sections.

Mark	Symbol & Description	Part No.		Remarks
		AWR1058	AWR1062	
\triangle	T101 Power transformer	ATT1144	ATT1149	
\triangle	AC socket (OUTLET 1P)	AKP1078	

4.3 SCHEMATIC AND P.C.BOARD DIAGRAM



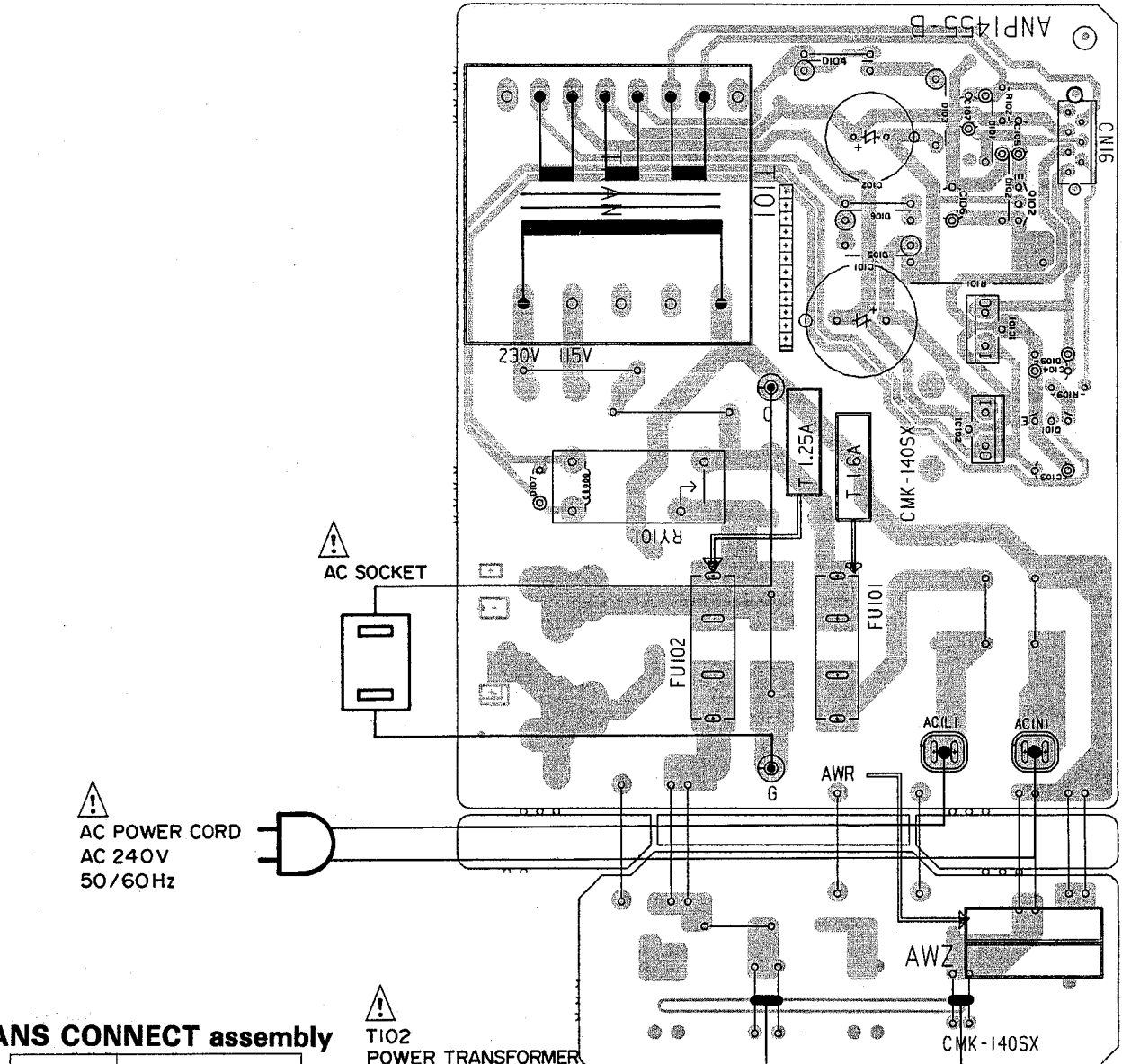
A

B

C

D

SUB TRANS assembly (AWR1062)

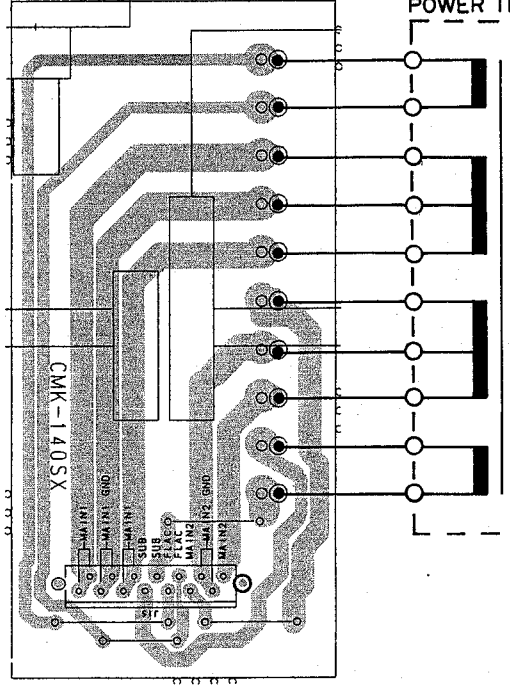


⚠
AC POWER CORD
AC 240V
50/60Hz

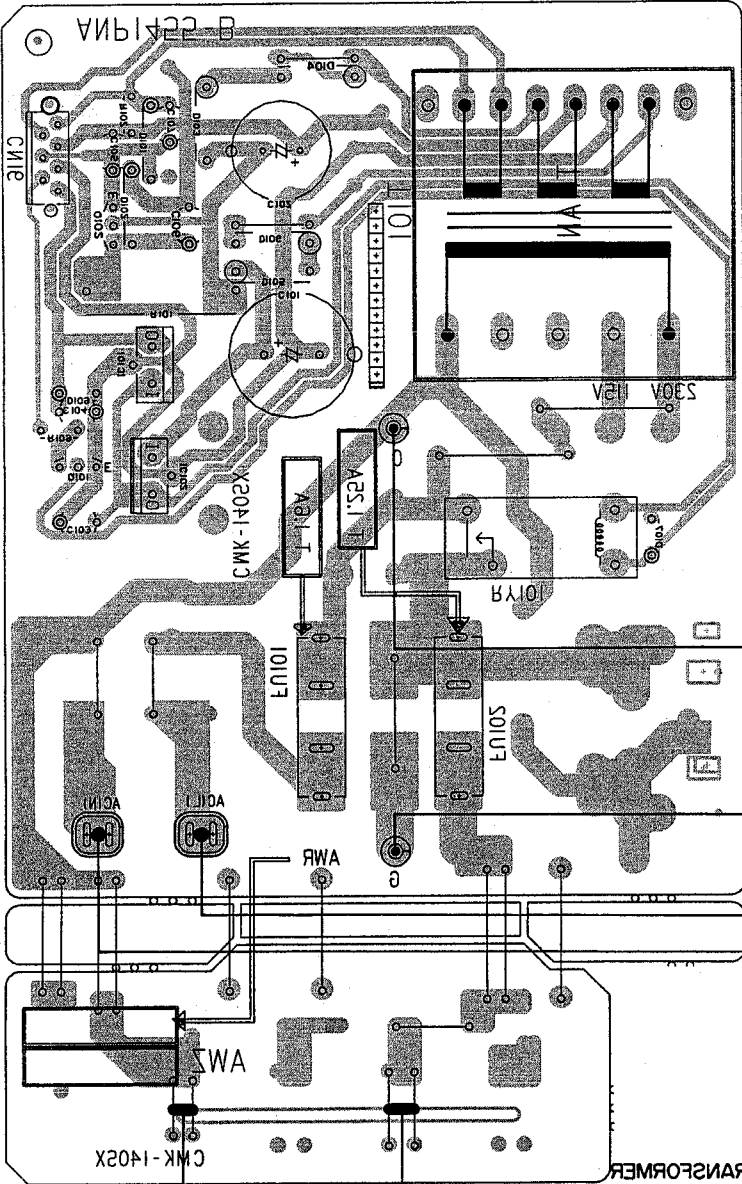
⚠
AC SOCKET

⚠
T102
POWER TRANSFORMER

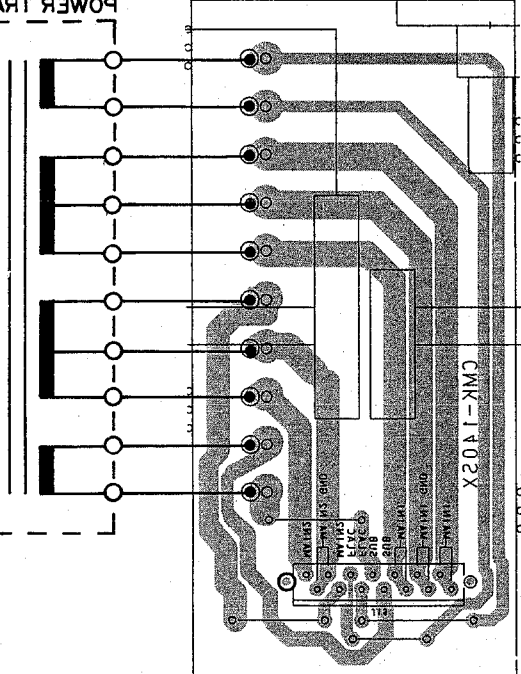
C TRANS CONNECT assembly



SUB TRANS assembly (WRA102S)



TRANS CONNECT assembly



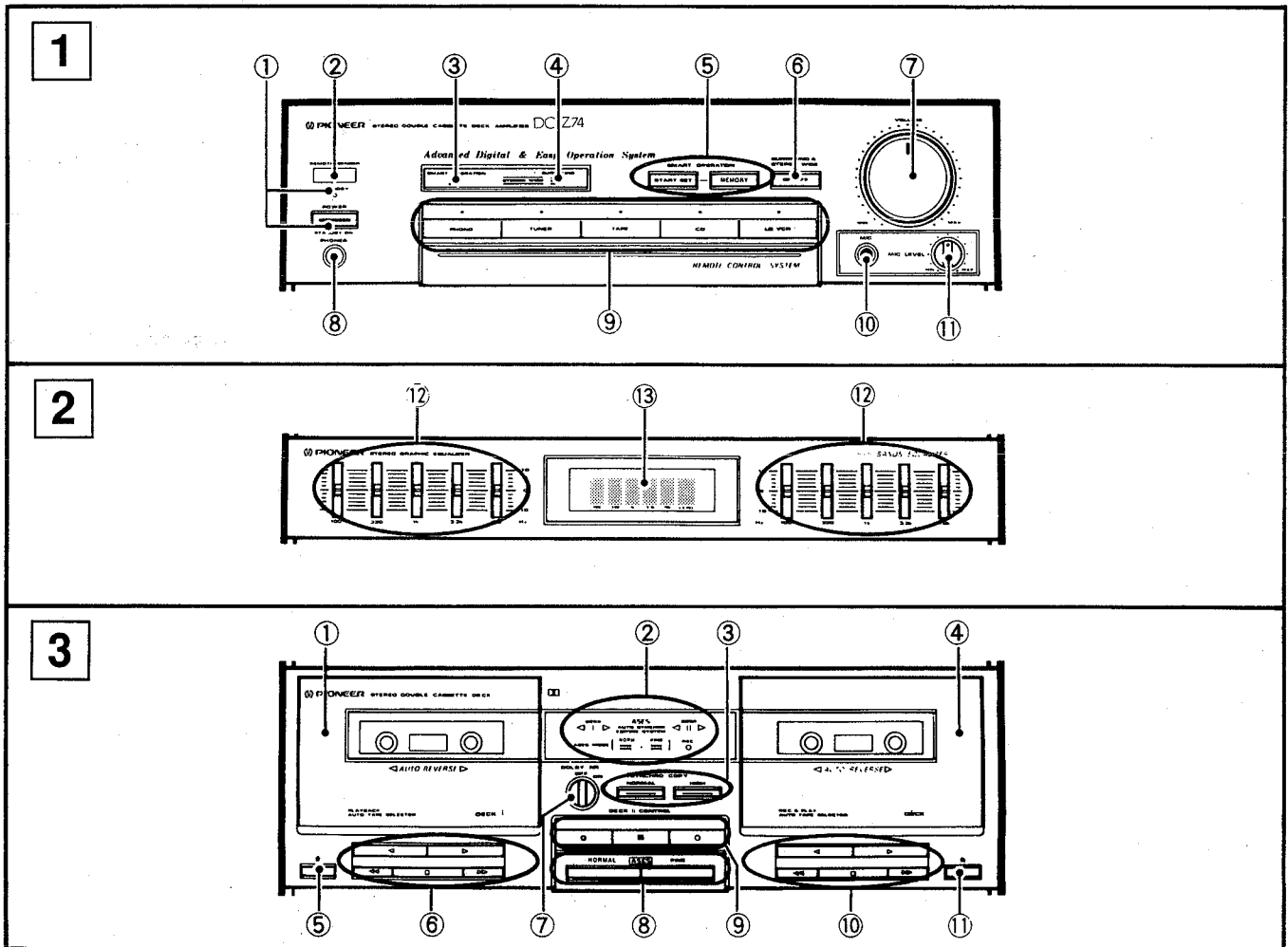
A

B

C

D

5. PANEL FACILITIES



■ Amplifier section/Graphic equalizer section

See Fig 1, 2.

① POWER STANDBY/ON button/indicator

This is the button for electric power.

ON: When set to the ON position, power is supplied and the unit becomes operational.

STANDBY: When set to the STANDBY position, the main power flow is cut and the unit is no longer fully operational. A minute flow of power feeds the unit to maintain operation readiness.

The tuner section display indicates only the time. The STANDBY indicator lights when the power is STANDBY, and goes out during ON.

② REMOTE SENSOR window

③ SMART OPERATION indicator

Blinks when the SMART OPERATION mode is set to ON.

④ SURROUND indicator

Lights when the SURROUND & STEREO WIDE is set to ON.

⑤ SMART OPERATION buttons

[START/SET]

To operate the SMART OPERATION function and set the data.

[MEMORY]

To set the data for SMART OPERATION.

⑥ SURROUND & STEREO WIDE button

In ON position, you can enjoy SURROUND sound reproduction when the rear speakers are used.

In ON position, when the rear speakers are not used, you can enjoy STEREO WIDE sound reproduction with wider left-right spread.

NOTE:

SURROUND & STEREO WIDE effects cannot be obtained with a monaural signal source.

⑦ **VOLUME control**

⑧ **PHONES (Headphone) jack**

For stereo headphones.

NOTE:

There is no speaker output when headphones are plugged into the PHONES jack.

⑨ **Input selector buttons/indicators**

[PHONO] Press to play records on a turntable connected to the PHONO jacks.

[TUNER] Press to listen to radio broadcast.

[TAPE] Press to listen to cassette tape.

[CD] Press to listen to a compact disc.

[LD/VCR] Press to listen to stereo component connected to the LD/VCR jacks.

⑩ **MIC (microphone) jack**

This is a standard jack for connecting a microphone.

⑪ **MIC LEVEL control**

Used for adjusting the volume of microphone.

⑫ **Graphic equalizer controls**

Five adjustments in sound quality are possible using the 5 controls on the graphic equalizer.

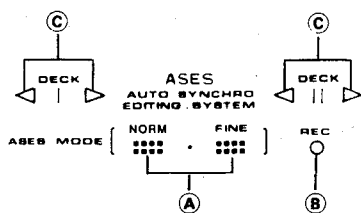
⑬ **DISPLAY section**

■ **Cassette Deck Section**

See Fig 3.

① **DECK I cassette door**

② **Operation indicators**



①ASES (NORM, FINE): Lights when the A.S.E.S. (Auto Synchro Editing System) is operating.

②REC: Lights when recording. Flashes when copying a tape. Slow flashing = Normal copy. Rapid flashing = High speed copy.

③Direction (<, >): Shows direction of tape travel.

③ **SYNCHRO COPY buttons**

Used for tape copying.

NORMAL: Copying from the Deck I tape to the Deck II tape at normal recording/playback speed.

HIGH: Copying at about twice normal tape speed. (Copies can be made in about half the NORMAL time.)

④ **DECK II cassette door**

⑤ **Deck I eject button**

⑥ **Deck I Operation buttons**

- ▷ **PLAY (FWD)** For playing back a tape in the forward mode.
- ◁ **PLAY (REV)** For playing back a tape in the reverse mode.
- **STOP** For stopping the tape.
- ▶▶ **FAST** Fast forward in forward mode, rewind in reverse mode.
- ◀◀ **FAST** Rewind in forward mode, fast forward in reverse mode.

⑦ **DOLBY* NR switch**

Set this switch to the ON position to activate the DOLBY NR system.

- Tapes recorded using Dolby noise reduction should always be played back with the noise reduction system on. Sound quality will be adversely affected if played back with the system off, or if tapes recorded using a different noise reduction system are played back with the Dolby NR system on.
- It is recommended that tapes recorded with Dolby B type NR be so marked on the label. This will help prevent incorrect setting of the noise reduction button during playback.

*

Dolby noise reduction manufactured under license from Dolby Laboratories Licensing Corporation. "DOLBY" and the double-D symbol are trademarks of Dolby Laboratories Licensing Corporation.

⑧ **ASES (NORMAL, FINE) button**

Used for automatically recording a CD on cassette tape.

⑨ **DECK II CONTROL buttons**

REC MUTE (○) Used for creating a blank space between songs. Pressing this button once creates an unrecorded 4-second space.

The unrecorded space is created for as long as this button is kept pressed during recording.

PAUSE (□) Temporarily stops tape travel. Cancels pause mode when pressed again.

REC (●) To set to recording standby mode. Recording begins when you press the PLAY button (◁ or ▷).

⑩ **Deck II Operation buttons:**

Same as Deck I operation buttons ⑥.

⑪ **Deck II eject button**

6. SPECIFICATIONS

Stereo double cassette deck amplifier: DC-Z74

Amplifier Section

Continuously Average Power Output is 27 Watts* per channel, min., at 8 ohms from 40 Hertz to 20,000 Hertz, with no more than 0.4 % total harmonic distortion.**

* Measured pursuant to the Federal Trade Commission's Trade Regulation rules on Power Output Claims for Amplifiers.

DIN music power..... 50 W + 50 W (1 kHz, T.H.D. 1 %, 8 ohms)
 Continuous Power Output (DIN) 33 W + 33 W
 (1 kHz, T.H.D. 1 %, 8 ohms)
 Peak Music Power Output 350 W (1 kHz, T.H.D. 10 %, 6 Ω)
 Graphic equalizer frequency band..... 100 Hz, 330 Hz,
 1 kHz, 3.3 kHz, 10 kHz, ± 7 dB

Total Harmonic Distortion
 (40 Hz to 20,000 Hz, 16.5 W, 8 ohms)** No more than 0.2 %

Tape Deck Section

Systems..... 4 track, 2-channel stereo
 Heads..... Recording/playback head x 1
 Playback head x 1
 Erasing head x 1
 Motor..... DC servo 2 speed motor x 2
 Wow and Flutter..... No more than 0.09 % (WRMS)
 Fast Winding Time Approximately 105 seconds
 (C-60 tape)

Frequency Response (– 20 dB recording):

Normal tape 35 Hz to 14,000 Hz ± 6 dB (EIAJ)
 CrO₂ tape 35 Hz to 15,000 Hz ± 6 dB (EIAJ)
 Signal-to-Noise ratio
 Dolby NR OFF..... 56 dB (EIAJ)
 Noise Reduction Effect
 Dolby B type NR ON More than 10 dB (at 5 kHz)

Miscellaneous

Power requirements
 Australian models a.c. 240 Volts~, 50/60 Hz
 Other destination models
 AC 110/120–127/220/240 V (Switchable), 50/60 Hz
 Power Consumption 216 W
 Dimensions 360 (W) x 271 (H) x 307 (D) mm
 14-3/16 (W) x 10-11/16 (H) x 12-1/16 (D) in
 Weight (without package) 7.2 kg (15 lb 14 oz)

Furnished Parts

Operating Instructions 1
 Remote control unit 1
 Dry cell batteries 2

• Specifications and design subject to possible modification without notice due to improvement.

** Measured By Audio Spectrum Analyzer.