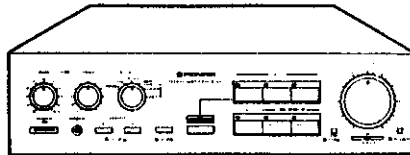


Service Manual

**CIRCUIT DESCRIPTIONS
REPAIR & ADJUSTMENTS**



**ORDER NO.
ARP1234-A**

STEREO AMPLIFIER

A-44(BK)

MODEL A-44 (BK) COMES IN THREE VERSIONS DISTINGUISHED AS FOLLOWS:

Type	Power requirement	Export destination
HEZ	AC220V, 240V (switchable)	West Germany
HE	AC220V, 240V (switchable)	European continent
HB	AC220V, 240V (switchable)	United Kingdom

- This service manual is applicable to the A-44 (BK)/HEZ, HE and HB types.
- As to the HE and HB types, please refer to page 17.

CONTENTS

1. EXPLODED VIEWS AND PARTS LIST	3	4. SCHEMATIC DIAGRAM	11
2. PACKING	6	5. ELECTRICAL PARTS LIST	14
3. P.C. BOARDS CONNECTION DIAGRAM	7	6. FOR HE AND HB TYPES	17

Line voltage selection (HE, HEZ and HB types)

Line voltage can be changed with following steps.

1. Disconnect the AC power cord.
2. Remove the top cover.
3. Change the connection wire (To Power transformer) of Terminal No. 3 (WHITE) as follows.

Voltage	Terminal No. 3	Terminal No. 5
220V	White wire
240V	White wire

1. EXPLODED VIEWS AND PARTS LIST

NOTES:

- Parts without part number cannot be supplied.
- The Δ mark found on some component parts indicates the importance of the safety factor of the part. Therefore, when replacing, be sure to use parts of identical designation.
- For your Parts Stock Control, the fast moving items are indicated with the marks ****** and *****.
**** GENERALLY MOVES FASTER THAN ***
This classification shall be adjusted by each distributor because it depends on model number, temperature, humidity, etc.
- Parts marked by " \odot " are not always kept in stock. Their delivery time may be longer than usual or they may be unavailable.

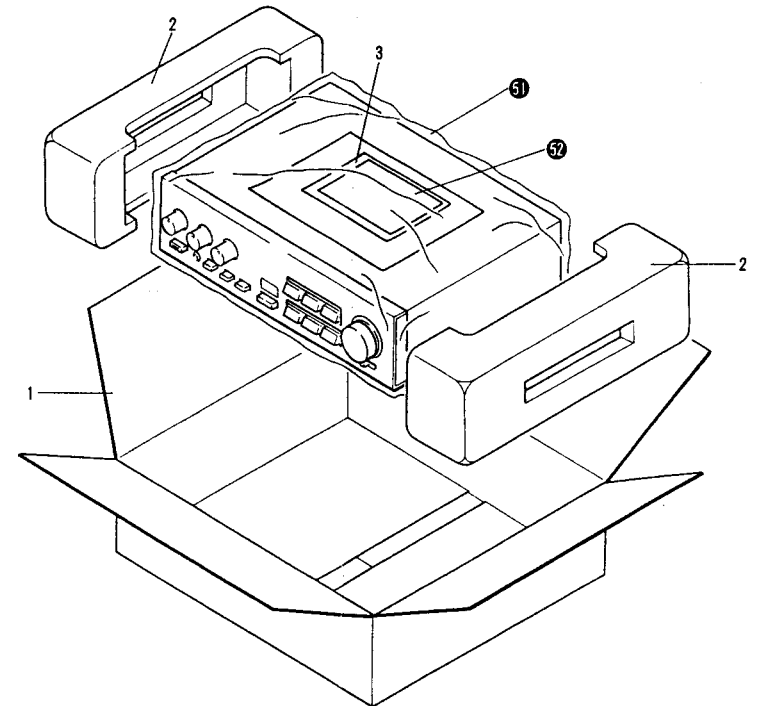
Parts List of Exterior

Mark	No.	Part No.	Description	Mark	No.	Part No.	Description
Δ **	1	2SA1516	Transistor (Q3, Q4)		36	VMZ30P060FMC	Screw
Δ **	2	2SC3907	Transistor (Q1, Q2)		37	AWZ1208	AF complex assembly
Δ	3	ACG1003	Power capacitor (0.01 μ F/AC400V, C1)		38	AWZ1209	Tone, Function assembly
Δ *	4	ATS1040	Power transformer (220V/240V, T1)		39	AWT1003	Line filter assembly
Δ **	5	ASG-552	Push switch (POWER, S1)	**	40	ASU1001	Remote slide rotary switch (REC SELECTOR)
Δ **	6	AEK-017	Fuse (T2A/250V, FU1)		41	AAD1066	Function knob (VIDEO/AUX)
	7	AEC1032	Leg assembly		42	AMR1088	Joint bar
	8	AMD1004	Panel base assembly		43	ANG1088	Ring (EARTH)
	9	ANB1051	Front panel assembly		44	AAT-118	Indicator lens C
	10	AAB1011	Knob (VOLUME)		45	BBZ30P080FCU	Screw
	11	AAB1012	Knob (TONE)		101		Volume assembly
	12	AAD1060	Knob (POWER)		102		Speaker switch assembly
	13	AAD1061	Knob (SPEAKER)		103		SP Terminal assembly
	14	AAD1062	Function knob (PHONO)		109		Transformer frame
	15	AAD1063	Knob (CD DIRECT)		105		Terminal (GND)
	16	AAD1064	Function knob (TUNER)		106		Chassis
	17	AAD1065	Function knob (CD)		107		Rear panel
	18	AAD1067	Function knob (TAPE1)		108		Bottom plate
	19	AAD1068	Function knob (TAPE2)		109		Transframe
	20	AAD1070	Knob (LOUDNESS)		110		Switch holder
	21	AAK1124	CD Direct plate		111		P.C.B. Holder
	22	AAT-110	Indicator lens C		112		Heat sink
	23	ANE1059	Bonnet		113		Binder
	24	ABH1015	Coil spring		114		Plate (EARTH)
	25	ABH1019	Coil spring				
	26	AEC-525	Nylon rivet				
	27	AEP-313	Mica seat				
	28	ABA-115	Screw				
	29	ABA-258	Screw				
	30	BBZ30P080FMC	Screw				
Δ	31	ADG-068	AC Power cord				
	32	BBZ30P080FZK	Screw				
	33	NK70FUC	Nut				
	34	NK90FUC	Nut				
	35	VBZ30P080FMC	Screw				

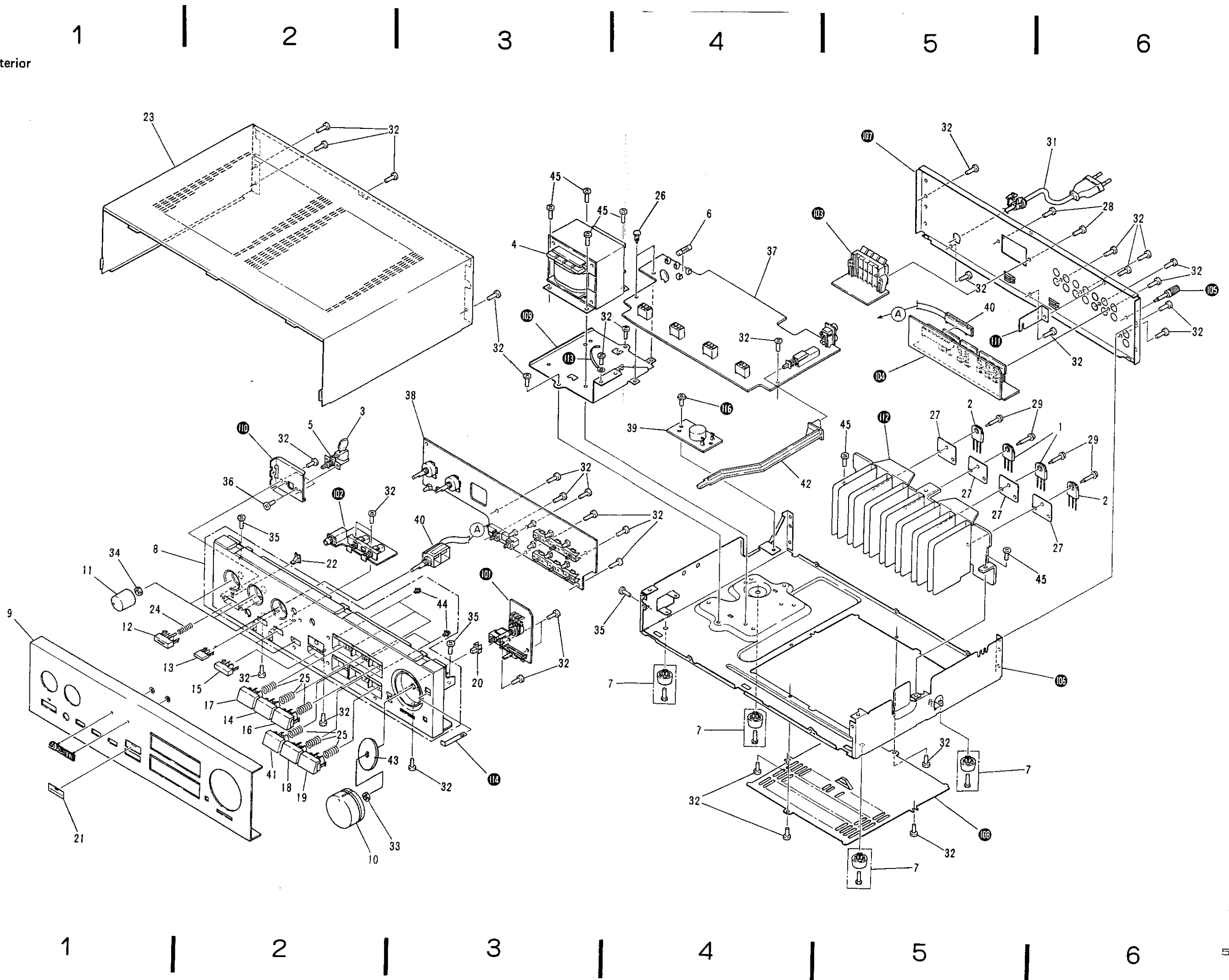
2. PACKING

Parts List of Packing

Mark	No.	Part No.	Description
	1	AHD1109	Packing case
	2	AHA1015	Front rear pad
	3	ARC1018	Operating instructions
	51		Seat
	52		Warranty card

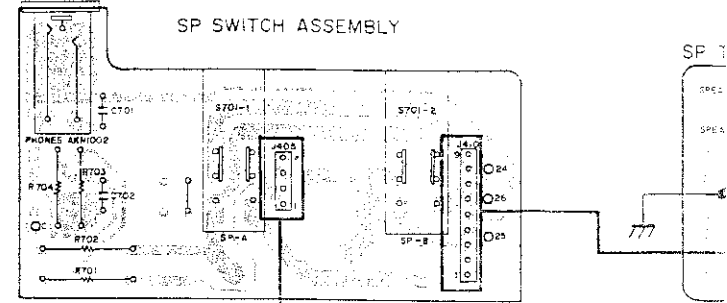
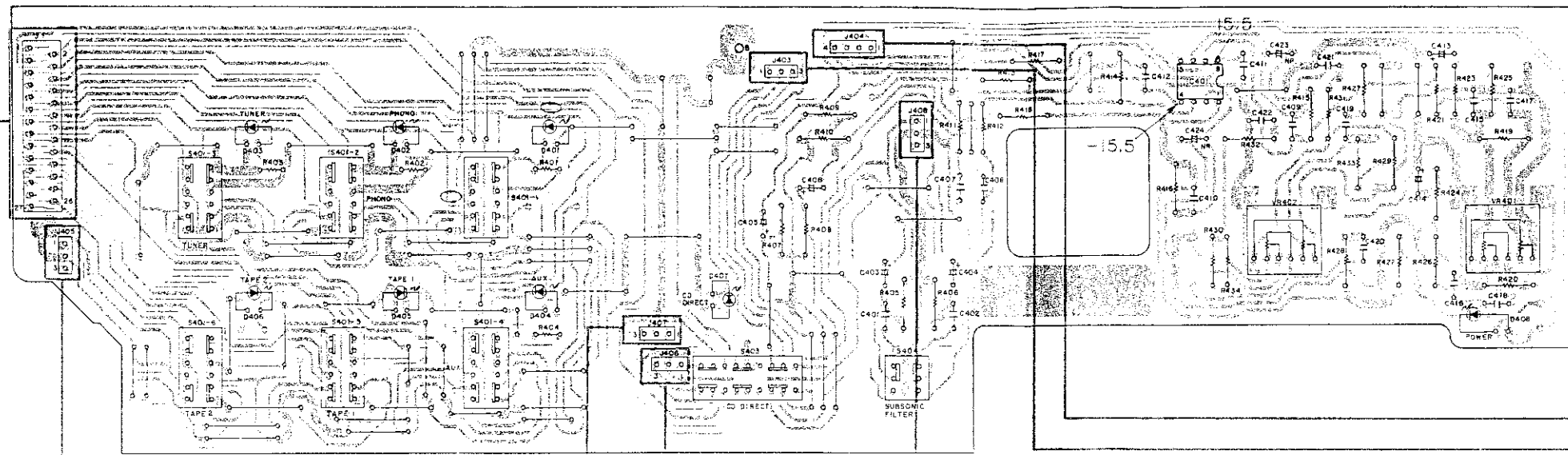


Exterior



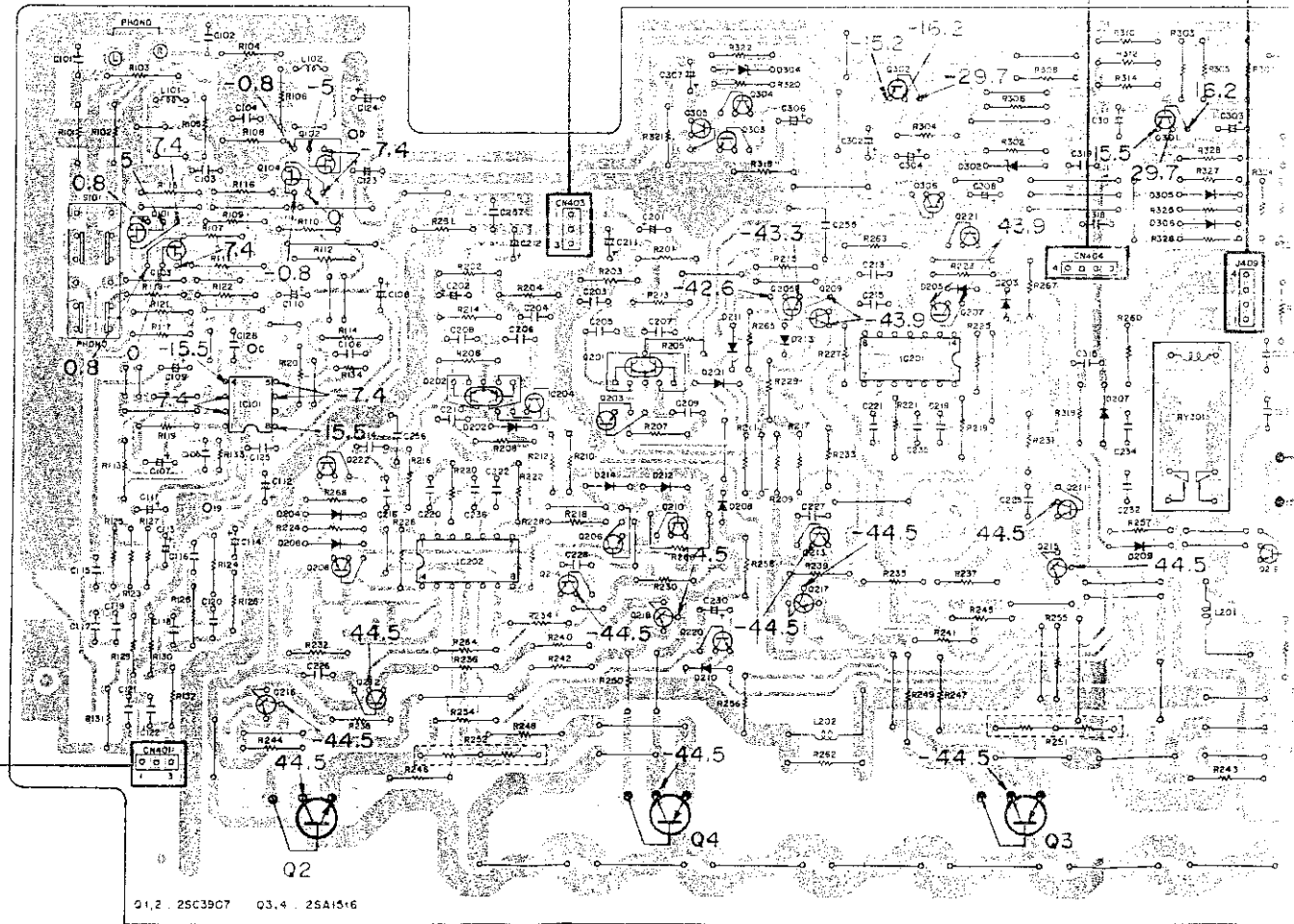
3. P.C. BOARDS CONNECTION DIAGRAM

TONE FUNCTION ASSEMBLY AWZ1209

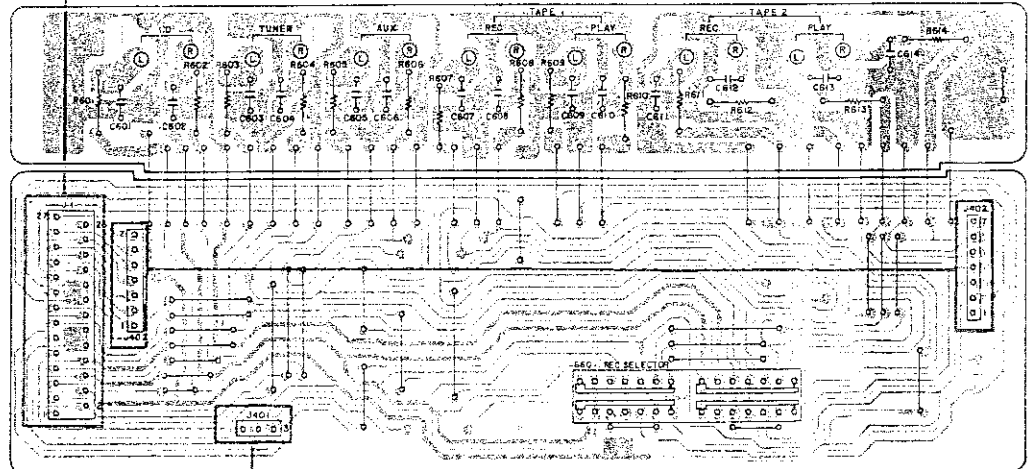


- IC401 M5210P
- D408 4EL1011
- D401-404 4E1018
- D405-407 4E1018

AF COMPLEX ASSEMBLY AWZ1208

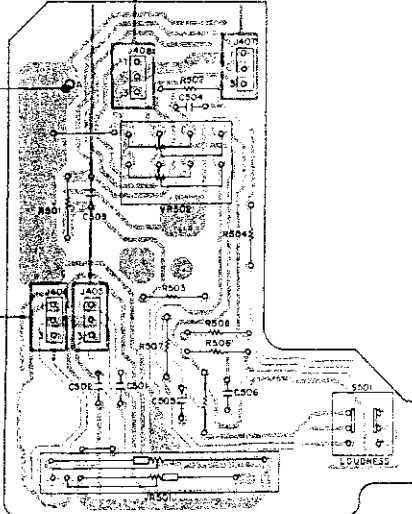


- Q1.2 25C39C7 Q3.4 25A1516
- Q101 Q103 IC101 Q104 Q102 Q202 Q204 Q303-305 Q205 Q209 Q302 Q306 Q301
- Q201-202 25A975 Q213 Q214 Q22 Q215 Q216 Q217 Q218 Q219 Q220 Q221 Q222 Q206 Q210 Q4 Q218 Q220 Q213 Q217 Q211 Q215 Q219
- Q207, 206, 302, 307 25A1145 Q209, Q210, 301 25C2705 Q213, 214, 22, 222 25A992 25C2591 25C1111 25C1111 25C2603 (25C458) 25A1115
- Q201-104 25K170 Q201-202 25A975 Q203-206, 211, 212, 219 220, 306 25C1845
- Q207, 206, 302, 307 25A1145 Q209, Q210, 301 25C2705 Q213, 214, 22, 222 25A992 25C2591 25C1111 25C1111 25C2603 (25C458) 25A1115
- Q201-202, 214, 305, 308 155131 152471 801858 4C1628 4C1629 55566 11E21 8B602
- Q310 8B602 Q305 25A1115

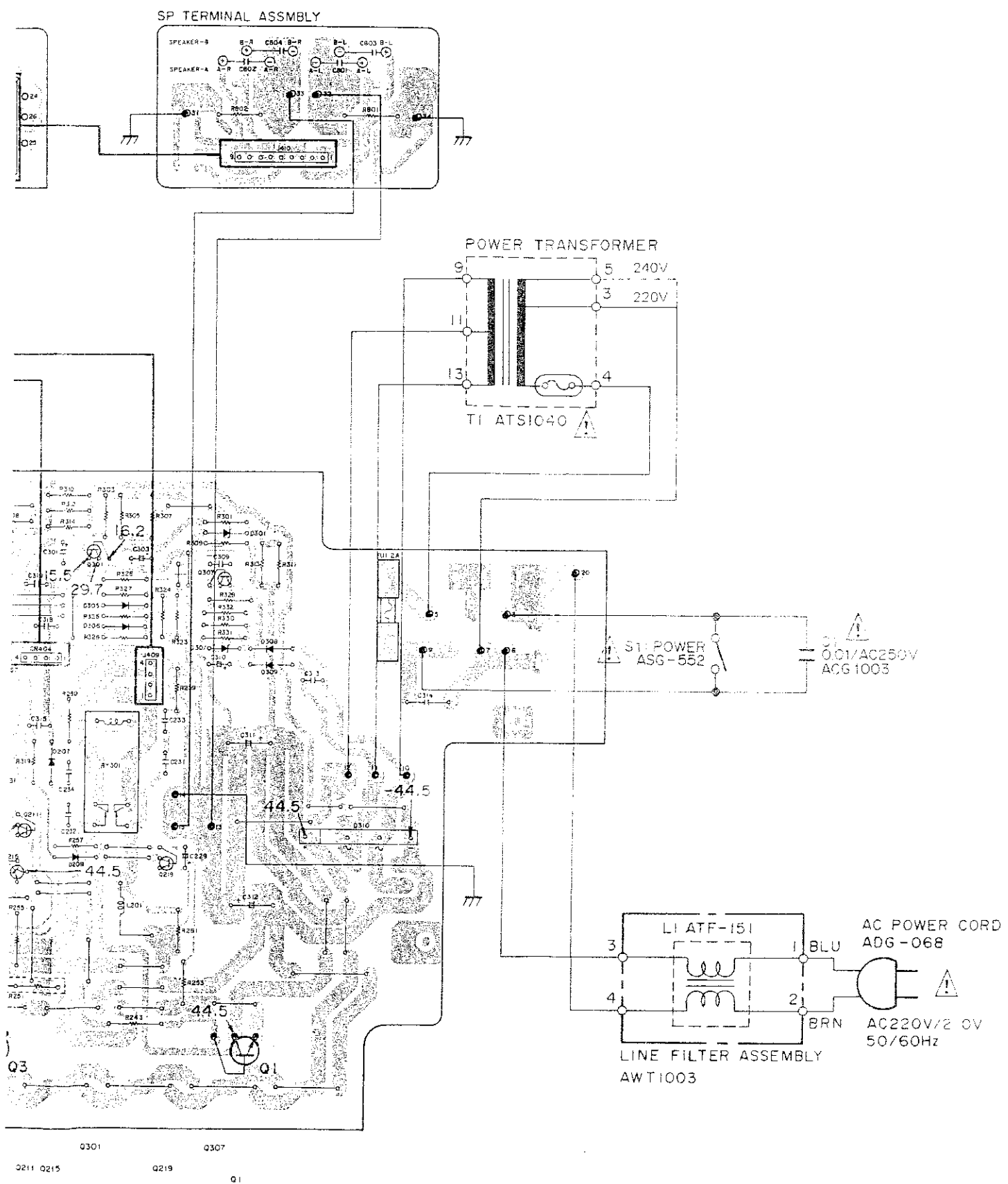


PINJACK ASSEMBLY

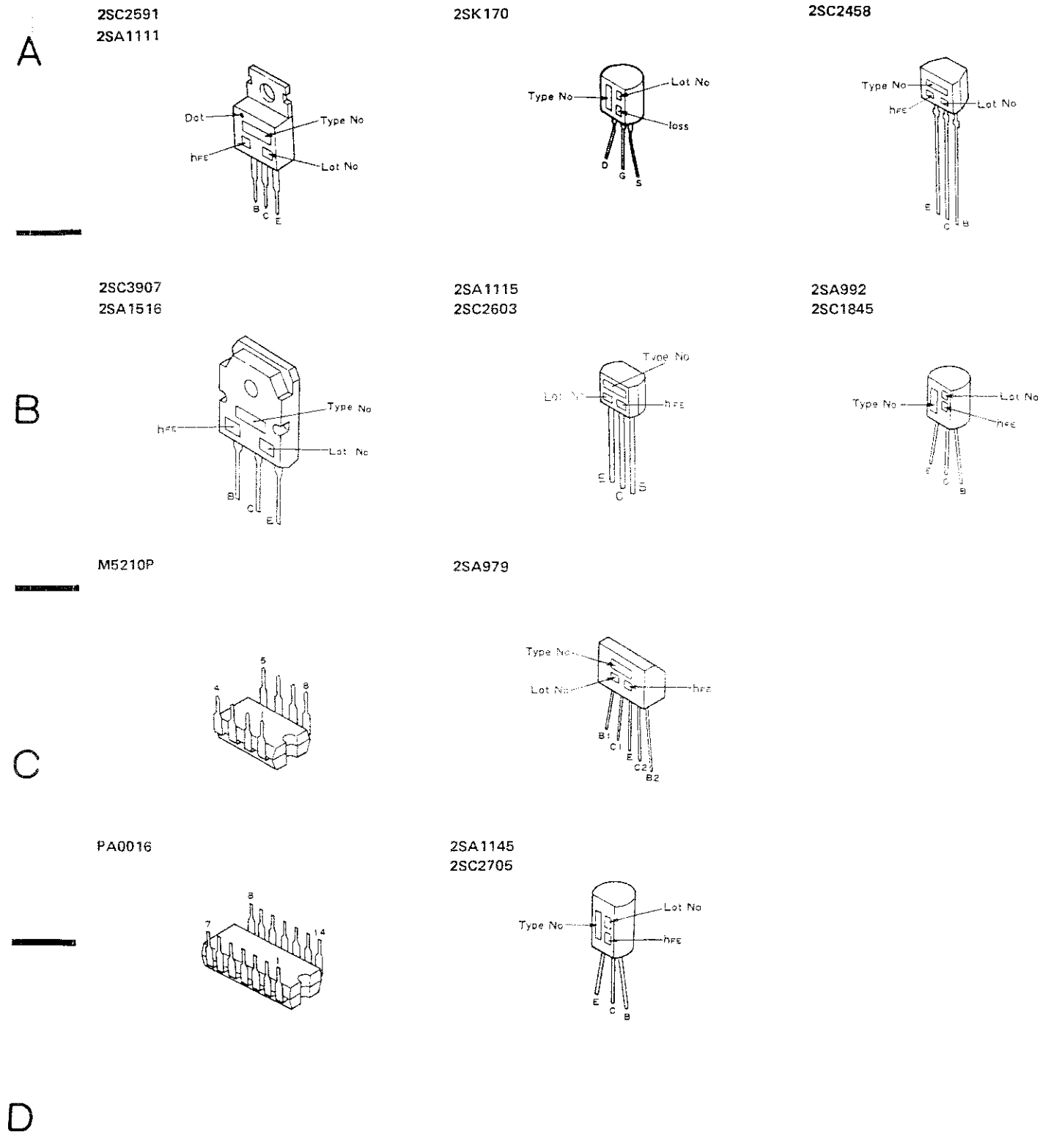
VOLUME ASSEMBLY



A
B
C
D

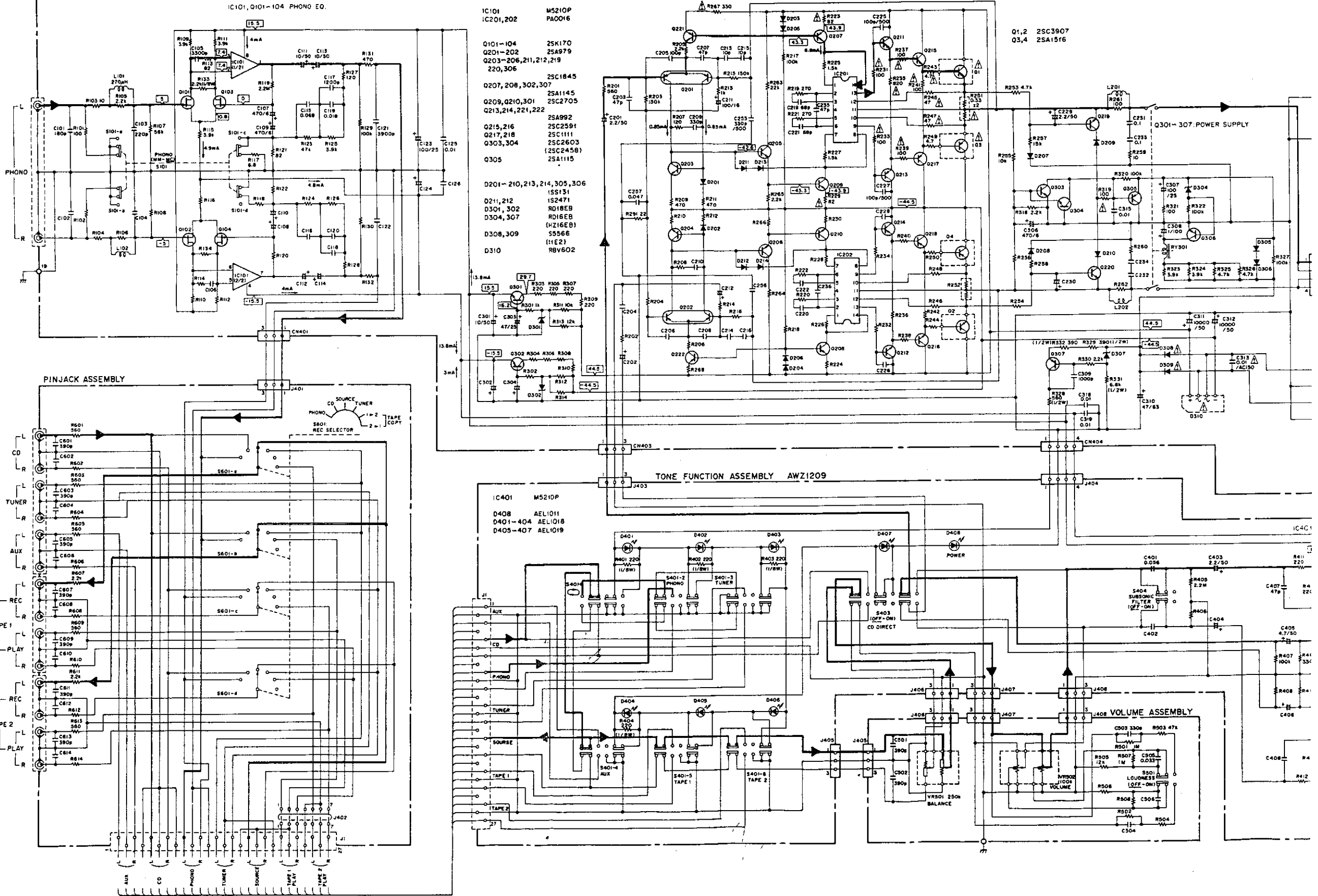


External Appearance of Transistors and ICs



4. SCHEMATIC DIAGRAM

AF COMPLEX ASSEMBLY AWZ1208



A

B

C

D

1

2

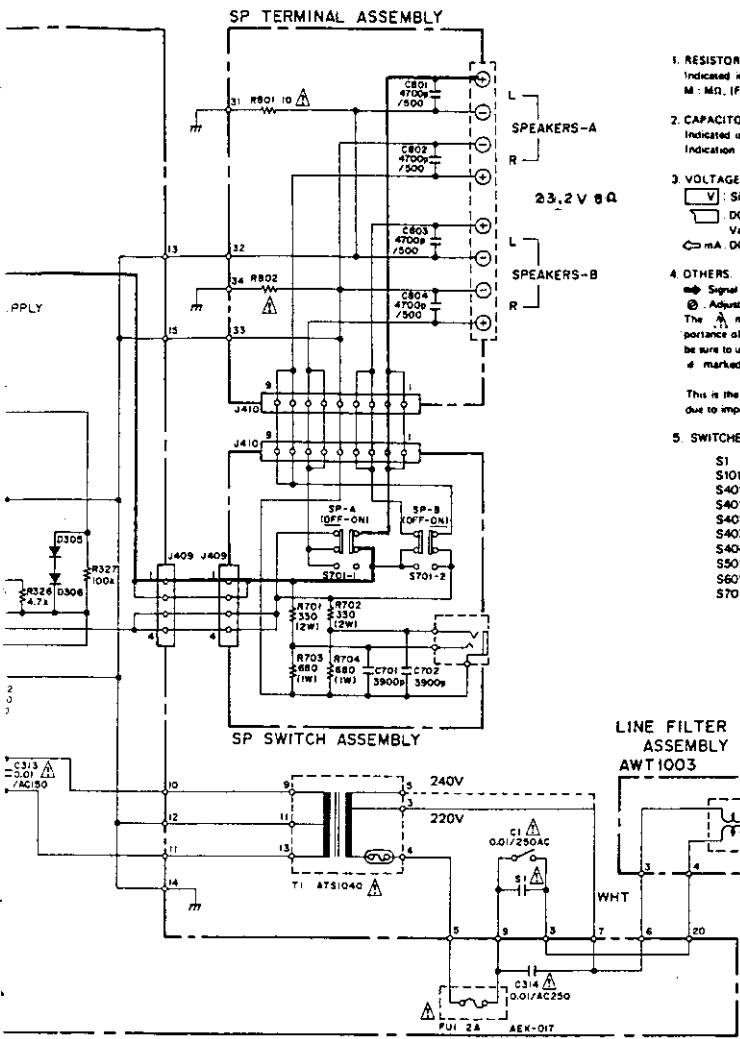
3

4

5

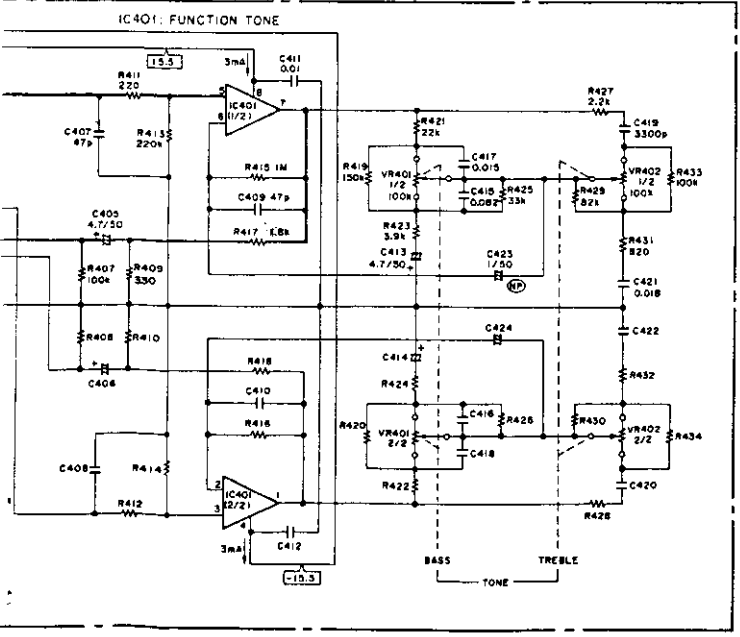
6

NOTE:
*The indicated semiconductors are representative ones only.
 Other alternative semiconductors may be used and are
 listed in the parts list.*



1. RESISTORS:
 Indicated in Ω, 1/4W, 1/2W, 1W, 5% tolerance unless otherwise noted: K: 1k, M: 1M, (F): ±1%, (G): ±2%, (J): ±5%, (K): ±10%, (M): ±20% tolerance
 2. CAPACITORS:
 Indicated in capacity (μF)/voltage (V) unless otherwise noted: p: pF
 Indication without voltage is 50V except electrolytic capacitor.
 3. VOLTAGE, CURRENT:
 [V] : Signal voltage or 67W + 67W, 8Ω output (1kHz)
 [] : DC voltage (V) at no input signal
 [] : Value in I_r is DC voltage at rated power.
 [] : mA, DC current at no input signal
 4. OTHERS:
 [] : Signal route.
 [] : Adjusting point.
 The [] mark found on some component parts indicates the importance of the safety factor of the part. Therefore, when replacing, be sure to use parts of identical designation.
 # marked capacitors and resistors have parts numbers.
- This is the basic schematic diagram, but the actual circuit may vary due to improvements in design.
5. SWITCHES

S1	: POWER	(ON-OFF)
S101	: PHONO	(MM-MC)
S401-1-4	: FUNCTION	(CD-PACNO-TUNER-AUX)
S401-5	: TAPE 1 MONITOR	(ON-OFF)
S401-6	: TAPE 2 MONITOR	(ON-OFF)
S403	: CD DIRET	(ON-OFF)
S404	: SUBSONIC FILTER	(ON-OFF)
S501	: LOUDNESS	(ON-OFF)
S601	: REC SELECTOR	
S701	: SPEAKERS A, B	(ON-OFF)



5. ELECTRICAL PARTS LIST

NOTES:

- When ordering resistors, first convert resistance values into code form as shown in the following examples.
 - Ex. 1 When there are 2 effective digits (any digit apart from 0), such as 560 ohm and 47k ohm (tolerance is shown by J=5%, and K=10%).

560Ω	56 × 10 ¹	561	RD4PS	5	6	7	J
47kΩ	47 × 10 ³	473	RD4PS	4	7	3	J
0.5Ω	0R5		RN2H	0	5		K
1Ω	010		RS1P	0	1	0	K
 - Ex. 2 When there are 3 effective digits (such as in high precision metal film resistors).

5.62kΩ	562 × 10 ¹	5621	RN4SR	5	6	2	1	F
--------	-----------------------	------	-------	---	---	---	---	---
- The Δ mark found on some component parts indicates the importance of the safety factor of the part. Therefore, when replacing, be sure to use parts of identical designation.
- For your Parts Stock Control, the fast moving items are indicated with the marks ** and *.
- ** **GENERALLY MOVES FASTER THAN ***
This classification shall be adjusted by each distributor because it depends on model number, temperature, humidity, etc.
- Parts marked by "⊙" are not always kept in stock. Their delivery time may be longer than usual or they may be unavailable.

Miscellaneous Parts

P.C. BOARD ASSEMBLIES

Mark	Symbol & Description	Part No.
	AF complex assembly	AWZ1208
	Tone, Function assembly	AWZ1209
	LINE filter assembly	AWT1003
	Volume assembly	Non supply
	Pin jack assembly	Non supply
	Speaker switch assembly	Non supply
	SP terminal assembly	Non supply

SEMICONDUCTORS

Mark	Symbol & Description	Part No.
Δ **	Q3, Q4 Transistor	2SA1516
Δ **	Q1, Q2 Transistor	2SC3907

SWITCHES

Mark	Symbol & Description	Part No.
Δ **	S1 Push switch (POWER)	ASG-552
**	S601 Slide rotary switch (REC SELECTOR)	ASU1001

TRANSFORMER

Mark	Symbol & Description	Part No.
Δ *	T1 Power transformer (220/240V)	ATS1040

CAPACITOR

Mark	Symbol & Description	Part No.
Δ	C1 Power capacitor (0.01/AC400V)	ACG1003

OTHERS

Mark	Symbol & Description	Part No.
Δ	AC power cord	ADG-068
Δ **	FU1 Fuse (T2A/250V)	AEK-017

AF Complex Assembly (AWZ1208)

SEMICONDUCTORS

Mark	Symbol & Description	Part No.
**	IC101	M5210P
**	IC201, IC202	PA0016
**	Q217, Q218	2SA1111
**	Q305	2SA1115
**	Q207, Q208, Q302, Q307	2SA1145
**	Q201, Q202	2SA979
**	Q213, Q214, Q221, Q222	2SA992
**	Q203-Q206, Q211, Q212, Q219, Q220, Q306	2SC1845
**	Q215, Q216	2SC2591
**	Q303, Q304	2SC2603
**	Q209, Q210, Q301	(2SC2458) 2SC2705
**	Q101-Q104	2SK170

Mark	Symbol & Description	Part No.
Δ *	D310	RBV602
*	D304, D307	RD16E8 (H216E8)
*	D301, D302	RD18E8
Δ *	D308, D309	S5566 (11E2)
*	D201-D210, D213, D214, D305, D306	1SS131
*	D211, D212	1S2471

SWITCH, RELAY

Mark	Symbol & Description	Part No.
**	S101 Push switch (MM-MC)	ASG1012
**	RY301 Relay (PROTECTION)	ASR-112 (ASR-107) (ASR-109)

COILS

Mark	Symbol & Description	Part No.
	L201, L202 AF choke coil	ATH1009
	L101, L102 Inductor	ATH1010

CAPACITORS

Mark	Symbol & Description	Part No.
Δ	C313 (0.01/AC150)	ACG-019
Δ	C314 (0.01/AC400)	ACG1003
	C311, C312 (10000/50)	ACH1020
	C213-C216	CCCSL100D50
	C205, C206	CCCSL101J50
	C225-C228	CCCSL101K500
	C203, C204, C207, C208, C235, C236	CCCSL470J50
	C219-C222	CCCSL680J50
	C101, C102	CCDSL181J50
	C103, C104	CCDSL221J50
	C308	CEAS010M100
	C111-C114, C301, C302	CEAS100M50
	C211, C212	CEYA101M16
	C123, C124, C307	CEAS101M25
	C229, C230	CEAS2R2M50
	C201, C202	CEYA2R2M50
	C303, C304	CEAS470M25
	C310	CEAS470M63
	C107-C110, C306	CEAS470M6
	C309	CKCYB102K50
	C209, C210	CKCYB331K50
	C315, C318, C319	CKCYF103Z50
	C255, C256	CKDYB331K500
	C125, C126	CKDYF103Z50
	C257	CKDYF473Z50
	C231-C234	CQMA104K50
	C117, C118	CQMA122J50
	C119, C120	CQMA183J50
	C105, C106	CQMA332K50
	C121, C122	CQMA392K50
	C115, C116	CQMA683J50

RESISTORS

Note: When ordering resistors, convert the resistance value into code form, and then rewrite the part no. as before.

Mark	Symbol & Description	Part No.
Δ	R251, R252 (0.33Ωx2)	ACN-139
	R328, R329, R331, R332	RD1/2PM□□□J
Δ	R223, R224, R229, R230, R235, R236, R245-R248, R259-R262, R267, R268, R319	RD1/4PMF□□□J
Δ	R231-R234, R237-R244, R249, R250	RFA1/4PS□□□J
Δ	R201, R202, R203, R204, R213-R216	RDR1/4PM□□□J
	Other resistors	RD1/4PM□□□J

OTHERS

Mark	Symbol & Description	Part No.
	Terminal 2P (PHONO)	AKB-119
	Transistor socket	AKH-017

Tone, Function Assembly (AWZ1209)

SEMICONDUCTORS

Mark	Symbol & Description	Part No.
**	IC401	M5210P
*	D408 LED (POWER)	AEL1011
*	D401-D404 LED (CD, PHONO, TUNER, AUX)	AEL1018
*	D405-D407 LED (TAPE1, TAPE2, CD DIRECT)	AEL1019

SWITCH

Mark	Symbol & Description	Part No.
**	S401 Push switch (FUNCTION, TAPE1, TAPE2)	ASG1013
**	S404 Push switch (SUBSONIC FILTER)	SEAV25
**	S403 Push switch (CD DIRECT)	SECV65

CAPACITORS

Mark	Symbol & Description	Part No.
	C407-C410	CCCSL470J50
	C423, C424	CEANP010M50
	C403, C404	CEAS2R2M50
	C405, C406, C413, C414	CEAS4R7M50
	C411, C412	CKCYF103Z50
	C417, C418	CQMA153K50
	C421, C422	CQMA183K50
	C419, C420	CQMA332K50
	C401, C402	CQMA563K50
	C415, C416	CQMA823K50

RESISTORS

Note: When ordering resistors, convert the resistance value into code form, and then rewrite the part no. as before.

Mark	Symbol & Description	Part No.
★	VR401, VR402 Variable resistor (TONE, 100kΩ)	ACT1019
	R401-R404 Other resistors	RD1/8PM221J RD1/4PM000J

Line Filter Assembly (AWT1003)

COIL

Mark	Symbol & Description	Part No.
△	L1 Line filter	ATF-151

Volume Assembly

SWITCH

Mark	Symbol & Description	Part No.
★★	S501 Push switch (LOUDNESS)	SEAV2S

CAPACITORS

Mark	Symbol & Description	Part No.
	C503, C504	CKCYB331K50
	C501, C502	CKCYB391K50
	C505, C506	CQMA333K50

RESISTORS

Note: When ordering resistors, convert the resistance value into code form, and then rewrite the part no. as before.

Mark	Symbol & Description	Part No.
★	VR502 Variable resistor (VOLUME, 100kΩ)	ACT1016
★	VR501 Variable resistor (BALANCE, 250kΩ)	ACU1008
	R501-R508	RD1/4PM000J

Pin Jack Assembly

SWITCH

Mark	Symbol & Description	Part No.
★★	S601 Remote slide switch (REC SELECTOR)	ASU1002

CAPACITORS

Mark	Symbol & Description	Part No.
	C601-C614	CKDYB391K50

RESISTORS

Note: When ordering resistors, convert the resistance value into code form, and then rewrite the part no. as before.

Mark	Symbol & Description	Part No.
	R603-R614	RD1/4PM000J
	R601, R602	RDR1/4PM000J

OTHERS

Mark	Symbol & Description	Part No.
	Terminal 4P (TAPE1, TAPE2)	AKB-115
	Terminal 6P (CD, TUNER, AUX)	AKB-117

Speaker Switch Assembly

SWITCH

Mark	Symbol & Description	Part No.
★★	S701 Push switch (SPEAKER A/B)	SUL6LXBXS

CAPACITORS

Mark	Symbol & Description	Part No.
	C701, C702	CKCYB392K50

RESISTORS

Mark	Symbol & Description	Part No.
	R703, R704	RS1PMF681J
	R701, R702	RS2LMF331J

OTHERS

Mark	Symbol & Description	Part No.
	Phone jack (PHONES)	AKN1002

SP Terminal Assembly

CAPACITORS

Mark	Symbol & Description	Part No.
	C801-C804	CKDYB472K50

RESISTORS

Mark	Symbol & Description	Part No.
△	R801, R802	RD1/4PMF100J

OTHERS

Mark	Symbol & Description	Part No.
	Terminal 8P (SPEAKERS)	AKE-111

6. FOR HE AND HB TYPES

6.1 CONTRAST OF MISCELLANEOUS PARTS

NOTES:

- Parts without part number cannot be supplied.
- The △ mark found on some component parts indicates the importance of the safety factor of the part. Therefore, when replacing, be sure to use parts of identical designation.
- For your Parts Stock Control, the fast moving items are indicated with the marks ★★ and ★.
- ★★ **GENERALLY MOVES FASTER THAN ★**
This classification shall be adjusted by each distributor because it depends on model number, temperature, humidity, etc.
- Parts marked by "⊙" are not always kept in stock. Their delivery time may be longer than usual or they may be unavailable.

The A-44 (BK)/HE and HB types are the same as A-44 (BK)/HEZ type with the exception of the following sections:

Mark	Symbol & Description	Part No.			Remarks
		A-44 [BK]/ HEZ type	A-44 [BK]/ HE type	A-44 [BK]/ HB type	
	AF complex assembly	AWZ1208	AWZ1237	AWZ1237	(For Speaker terminal)
	SP Terminal assembly	Non supply	Non supply	Non supply	
	Pin jack assembly	Non supply	Non supply	Non supply	
	Line filter assembly	AWT1003	
	Screw	ABA-115	
	Operating instructions (German)	ARC1018	
	Operating instructions (English/German/French/Italian)	ARE1037	ARE1037	
	AC power cord	ADG-068	ADG-068	ADG-063	
△★★	FU1 Fuse (T2A/250V)	AEK-017	AEK-017	AEK-511	

6.2 ELECTRICAL PARTS LIST

NOTES:

- When ordering resistors, first convert resistance values into code form as shown in the following examples.
 - Ex. 1 When there are 2 effective digits (any digit apart from 0), such as 560 ohm and 47k ohm (tolerance is shown by J=5%, and K=10%).

560Ω	56 × 10 ¹	561	RD4PS	5	6	1	J
47kΩ	47 × 10 ³	473	RD4PS	4	7	3	J
0.5Ω	0R5		RN2H	0	5		K
1Ω	010		RS1P	0	1	0	K
 - Ex. 2 When there are 3 effective digits (such as in high precision metal film resistors).

5.62kΩ	562 × 10 ¹	5621	RN4SR	5	6	2	1	F
--------	-----------------------	------	-------	---	---	---	---	---
- The Δ mark found on some component parts indicates the importance of the safety factor of the part. Therefore, when replacing, be sure to use parts of identical designation.
- For your Parts Stock Control, the fast moving items are indicated with the marks ** and *.
- ** GENERALLY MOVES FASTER THAN *
- This classification shall be adjusted by each distributor because it depends on model number, temperature, humidity, etc.
- Parts marked by " \odot " are not always kept in stock. Their delivery time may be longer than usual or they may be unavailable.

AF Complex Assembly (AWZ1237)

SEMICONDUCTORS

Mark	Symbol & Description	Part No.
**	IC101	M5210P
**	IC201, IC202	PA0016
**	Q217, Q218	2SA1111
**	Q305	2SA1115
**	Q207, Q208, Q302, Q307	2SA1145
**	Q201, Q202	2SA979
**	Q213, Q214, Q221, Q222	2SA992
**	Q203-Q206, Q211, Q212, Q219, Q220, Q306	2SC1845
**	Q215, Q216	2SC2591
**	Q303, Q304	2SC2603 (2SC2458)
**	Q209, Q210, Q301	2SC2705
**	Q101-Q104	2SK170
Δ *	D310	RBV602
*	D304, D307	RD16EB (HZ16EB)
*	D301, D302	RD18EB (HZ18EB)
Δ *	D308, D309	S5566 (11E2)
*	D201-D210, D213, D214, D305, D306	1SS131
*	D211, D212	1S2471

SWITCH, RELAY

Mark	Symbol & Description	Part No.
**	S101 Push switch (MM-MC)	ASG1012
**	RY301 Relay (PROTECTION)	ASR-112 (ASR-107) (ASR-109)

COILS

Mark	Symbol & Description	Part No.
	L201, L202 AF choke coil	ATH1004

CAPACITORS

Mark	Symbol & Description	Part No.
Δ	C313 (0.01/AC150)	ACG-019
Δ	C314 (0.01/AC400)	ACG1003
	C311, C312 (10000/50)	ACH1020
	C213-C216	CCCSL100D50
	C205, C206	CCCSL101J50
	C225-C228	CCCSL101K500
	C203, C204, C207, C208, C235, C236	CCCSL470J50
	C219-C222	CCCSL680J50
	C103, C104	CCDSL221J50
	C308	CEAS010M100
	C111-C114, C301, C302	CEAS100M50
	C211, C212	CEYA101M16
	C123, C124, C307	CEAS101M25
	C229, C230	CEAS2R2M50
	C201, C202	CEYA2R2M50
	C303, C304	CEAS470M25
	C310	CEAS470M63
	C107-C110, C306	CEAS470M6
	C309	CKCYB102K50
	C209, C210	CKCYB331K50
	C315	CKCYF103Z50
	C125, C126	CKDYF103Z50
	C231-C234	CQMA104K50
	C117, C118	CQMA122J50
	C119, C120	CQMA183J50
	C105, C106	CQMA332K50
	C121, C122	CQMA392K50
	C115, C116	CQMA683J50

RESISTORS

Note: When ordering resistors, convert the resistance value into code form, and then rewrite the part no. as before.

Mark	Symbol & Description	Part No.
Δ	R251, R252 (0.33Ωx2)	ACN-139
	R328, R329, R331, R332	RD1/2PM□□□J
Δ	R235, R236, R253, R254, R259-R262, R267, R268	RD1/4PMF□□□J
Δ	R223, R224, R229, R230, R231-R234, R237-R250, R319	RFA1/4PS□□□J
	R201-R204, R213-R216	RDR1/4PM□□□J
	Other resistors	RD1/4PM□□□J

OTHERS

Mark	Symbol & Description	Part No.
	Terminal 2P (PHONO)	AKB-119
	Transistor socket	AKH-017

Pin Jack Assembly

SWITCH

Mark	Symbol & Description	Part No.
**	S601 Remote slide switch (REC SELECTOR)	ASU1002

RESISTORS

Note: When ordering resistors, convert the resistance value into code form, and then rewrite the part no. as before.

Mark	Symbol & Description	Part No.
	R603-R614	RD1/4PM□□□J
	R601, R602	RDR1/4PM□□□J

OTHERS

Mark	Symbol & Description	Part No.
	Terminal 4P (TAPE1, TAPE2)	AKB-115
	Terminal 6P (CD, TUNER, AUX)	AKB-117

SP Terminal Assembly

OTHERS

Mark	Symbol & Description	Part No.
	Terminal 8P (SPEAKERS)	AKE-111

6.3 SCHEMATIC DIAGRAM

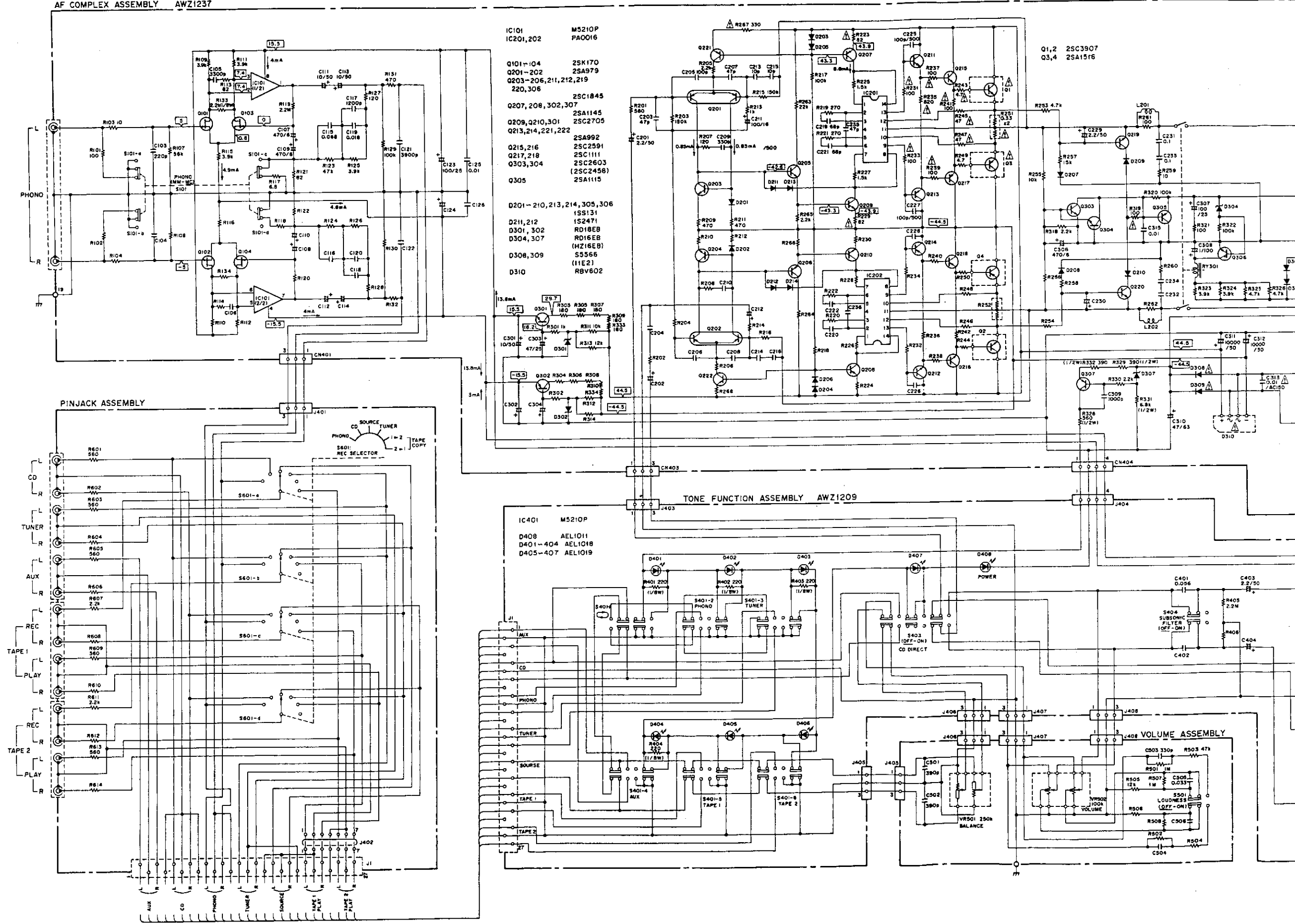
AF COMPLEX ASSEMBLY AWZ1237

A

B

C

D



IC101 M5210P
IC201,202 PA0016

Q101-104 2SK170
Q201-202 2SA979
Q203-206,211,212,219 2Z0,306
Q207,208,302,307 2SC1845
Q209,0210,301 2SA1145
Q213,214,221,222 2SC2705
Q215,216 2SA992
Q217,218 2SC2591
Q303,304 2SC1111
Q305 2SC2603 (2SC2458)
2SA1115

D201-210,213,214,305,306 1S5131
D211,212 1S2471
D301,302 RD18EB
D304,307 RD16EB (HZ16EB)
D308,309 S5566
D310 11E12
RBV602

D201-210,213,214,305,306 1S5131
D211,212 1S2471
D301,302 RD18EB
D304,307 RD16EB (HZ16EB)
D308,309 S5566
D310 11E12
RBV602

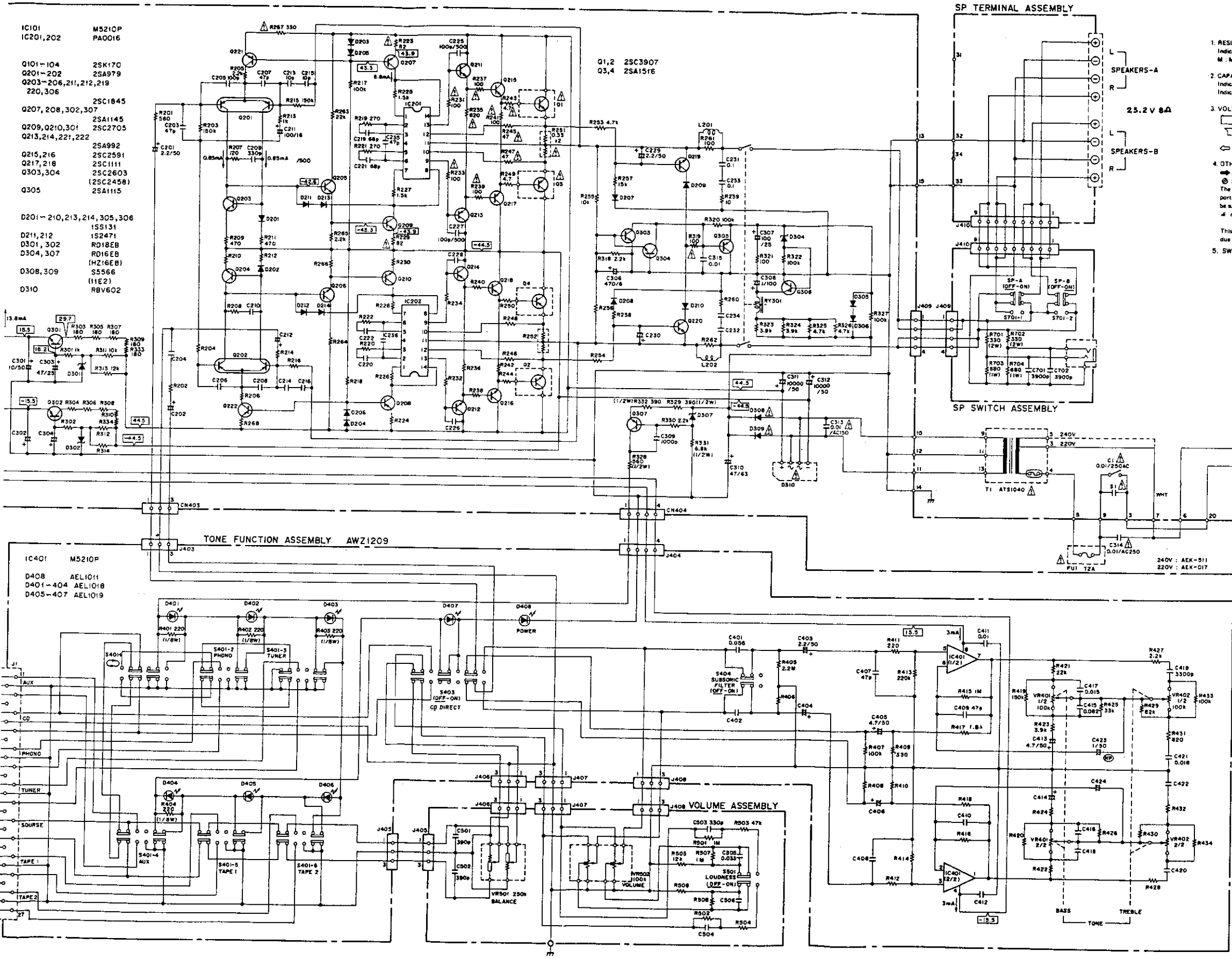
Q301 10/50
Q302 10/50
Q303 10/50
Q304 10/50
Q305 10/50
Q306 10/50
Q307 10/50
Q308 10/50
Q309 10/50
Q310 10/50
Q311 10/50
Q312 10/50
Q313 10/50
Q314 10/50
Q315 10/50
Q316 10/50
Q317 10/50
Q318 10/50
Q319 10/50
Q320 10/50
Q321 10/50
Q322 10/50
Q323 10/50
Q324 10/50
Q325 10/50
Q326 10/50
Q327 10/50
Q328 10/50
Q329 10/50
Q330 10/50
Q331 10/50
Q332 10/50
Q333 10/50
Q334 10/50
Q335 10/50
Q336 10/50
Q337 10/50
Q338 10/50
Q339 10/50
Q340 10/50
Q341 10/50
Q342 10/50
Q343 10/50
Q344 10/50
Q345 10/50
Q346 10/50
Q347 10/50
Q348 10/50
Q349 10/50
Q350 10/50
Q351 10/50
Q352 10/50
Q353 10/50
Q354 10/50
Q355 10/50
Q356 10/50
Q357 10/50
Q358 10/50
Q359 10/50
Q360 10/50
Q361 10/50
Q362 10/50
Q363 10/50
Q364 10/50
Q365 10/50
Q366 10/50
Q367 10/50
Q368 10/50
Q369 10/50
Q370 10/50
Q371 10/50
Q372 10/50
Q373 10/50
Q374 10/50
Q375 10/50
Q376 10/50
Q377 10/50
Q378 10/50
Q379 10/50
Q380 10/50
Q381 10/50
Q382 10/50
Q383 10/50
Q384 10/50
Q385 10/50
Q386 10/50
Q387 10/50
Q388 10/50
Q389 10/50
Q390 10/50
Q391 10/50
Q392 10/50
Q393 10/50
Q394 10/50
Q395 10/50
Q396 10/50
Q397 10/50
Q398 10/50
Q399 10/50
Q400 10/50
Q401 10/50
Q402 10/50
Q403 10/50
Q404 10/50
Q405 10/50
Q406 10/50
Q407 10/50
Q408 10/50
Q409 10/50
Q410 10/50
Q411 10/50
Q412 10/50
Q413 10/50
Q414 10/50
Q415 10/50
Q416 10/50
Q417 10/50
Q418 10/50
Q419 10/50
Q420 10/50
Q421 10/50
Q422 10/50
Q423 10/50
Q424 10/50
Q425 10/50
Q426 10/50
Q427 10/50
Q428 10/50
Q429 10/50
Q430 10/50
Q431 10/50
Q432 10/50
Q433 10/50
Q434 10/50
Q435 10/50
Q436 10/50
Q437 10/50
Q438 10/50
Q439 10/50
Q440 10/50
Q441 10/50
Q442 10/50
Q443 10/50
Q444 10/50
Q445 10/50
Q446 10/50
Q447 10/50
Q448 10/50
Q449 10/50
Q450 10/50
Q451 10/50
Q452 10/50
Q453 10/50
Q454 10/50
Q455 10/50
Q456 10/50
Q457 10/50
Q458 10/50
Q459 10/50
Q460 10/50
Q461 10/50
Q462 10/50
Q463 10/50
Q464 10/50
Q465 10/50
Q466 10/50
Q467 10/50
Q468 10/50
Q469 10/50
Q470 10/50
Q471 10/50
Q472 10/50
Q473 10/50
Q474 10/50
Q475 10/50
Q476 10/50
Q477 10/50
Q478 10/50
Q479 10/50
Q480 10/50
Q481 10/50
Q482 10/50
Q483 10/50
Q484 10/50
Q485 10/50
Q486 10/50
Q487 10/50
Q488 10/50
Q489 10/50
Q490 10/50
Q491 10/50
Q492 10/50
Q493 10/50
Q494 10/50
Q495 10/50
Q496 10/50
Q497 10/50
Q498 10/50
Q499 10/50
Q500 10/50
Q501 10/50
Q502 10/50
Q503 10/50
Q504 10/50
Q505 10/50
Q506 10/50
Q507 10/50
Q508 10/50
Q509 10/50
Q510 10/50
Q511 10/50
Q512 10/50
Q513 10/50
Q514 10/50
Q515 10/50
Q516 10/50
Q517 10/50
Q518 10/50
Q519 10/50
Q520 10/50
Q521 10/50
Q522 10/50
Q523 10/50
Q524 10/50
Q525 10/50
Q526 10/50
Q527 10/50
Q528 10/50
Q529 10/50
Q530 10/50
Q531 10/50
Q532 10/50
Q533 10/50
Q534 10/50
Q535 10/50
Q536 10/50
Q537 10/50
Q538 10/50
Q539 10/50
Q540 10/50
Q541 10/50
Q542 10/50
Q543 10/50
Q544 10/50
Q545 10/50
Q546 10/50
Q547 10/50
Q548 10/50
Q549 10/50
Q550 10/50
Q551 10/50
Q552 10/50
Q553 10/50
Q554 10/50
Q555 10/50
Q556 10/50
Q557 10/50
Q558 10/50
Q559 10/50
Q560 10/50
Q561 10/50
Q562 10/50
Q563 10/50
Q564 10/50
Q565 10/50
Q566 10/50
Q567 10/50
Q568 10/50
Q569 10/50
Q570 10/50
Q571 10/50
Q572 10/50
Q573 10/50
Q574 10/50
Q575 10/50
Q576 10/50
Q577 10/50
Q578 10/50
Q579 10/50
Q580 10/50
Q581 10/50
Q582 10/50
Q583 10/50
Q584 10/50
Q585 10/50
Q586 10/50
Q587 10/50
Q588 10/50
Q589 10/50
Q590 10/50
Q591 10/50
Q592 10/50
Q593 10/50
Q594 10/50
Q595 10/50
Q596 10/50
Q597 10/50
Q598 10/50
Q599 10/50
Q600 10/50
Q601 10/50
Q602 10/50
Q603 10/50
Q604 10/50
Q605 10/50
Q606 10/50
Q607 10/50
Q608 10/50
Q609 10/50
Q610 10/50
Q611 10/50
Q612 10/50
Q613 10/50
Q614 10/50
Q615 10/50
Q616 10/50
Q617 10/50
Q618 10/50
Q619 10/50
Q620 10/50
Q621 10/50
Q622 10/50
Q623 10/50
Q624 10/50
Q625 10/50
Q626 10/50
Q627 10/50
Q628 10/50
Q629 10/50
Q630 10/50
Q631 10/50
Q632 10/50
Q633 10/50
Q634 10/50
Q635 10/50
Q636 10/50
Q637 10/50
Q638 10/50
Q639 10/50
Q640 10/50
Q641 10/50
Q642 10/50
Q643 10/50
Q644 10/50
Q645 10/50
Q646 10/50
Q647 10/50
Q648 10/50
Q649 10/50
Q650 10/50
Q651 10/50
Q652 10/50
Q653 10/50
Q654 10/50
Q655 10/50
Q656 10/50
Q657 10/50
Q658 10/50
Q659 10/50
Q660 10/50
Q661 10/50
Q662 10/50
Q663 10/50
Q664 10/50
Q665 10/50
Q666 10/50
Q667 10/50
Q668 10/50
Q669 10/50
Q670 10/50
Q671 10/50
Q672 10/50
Q673 10/50
Q674 10/50
Q675 10/50
Q676 10/50
Q677 10/50
Q678 10/50
Q679 10/50
Q680 10/50
Q681 10/50
Q682 10/50
Q683 10/50
Q684 10/50
Q685 10/50
Q686 10/50
Q687 10/50
Q688 10/50
Q689 10/50
Q690 10/50
Q691 10/50
Q692 10/50
Q693 10/50
Q694 10/50
Q695 10/50
Q696 10/50
Q697 10/50
Q698 10/50
Q699 10/50
Q700 10/50
Q701 10/50
Q702 10/50
Q703 10/50
Q704 10/50
Q705 10/50
Q706 10/50
Q707 10/50
Q708 10/50
Q709 10/50
Q710 10/50
Q711 10/50
Q712 10/50
Q713 10/50
Q714 10/50
Q715 10/50
Q716 10/50
Q717 10/50
Q718 10/50
Q719 10/50
Q720 10/50
Q721 10/50
Q722 10/50
Q723 10/50
Q724 10/50
Q725 10/50
Q726 10/50
Q727 10/50
Q728 10/50
Q729 10/50
Q730 10/50
Q731 10/50
Q732 10/50
Q733 10/50
Q734 10/50
Q735 10/50
Q736 10/50
Q737 10/50
Q738 10/50
Q739 10/50
Q740 10/50
Q741 10/50
Q742 10/50
Q743 10/50
Q744 10/50
Q745 10/50
Q746 10/50
Q747 10/50
Q748 10/50
Q749 10/50
Q750 10/50
Q751 10/50
Q752 10/50
Q753 10/50
Q754 10/50
Q755 10/50
Q756 10/50
Q757 10/50
Q758 10/50
Q759 10/50
Q760 10/50
Q761 10/50
Q762 10/50
Q763 10/50
Q764 10/50
Q765 10/50
Q766 10/50
Q767 10/50
Q768 10/50
Q769 10/50
Q770 10/50
Q771 10/50
Q772 10/50
Q773 10/50
Q774 10/50
Q775 10/50
Q776 10/50
Q777 10/50
Q778 10/50
Q779 10/50
Q780 10/50
Q781 10/50
Q782 10/50
Q783 10/50
Q784 10/50
Q785 10/50
Q786 10/50
Q787 10/50
Q788 10/50
Q789 10/50
Q790 10/50
Q791 10/50
Q792 10/50
Q793 10/50
Q794 10/50
Q795 10/50
Q796 10/50
Q797 10/50
Q798 10/50
Q799 10/50
Q800 10/50
Q801 10/50
Q802 10/50
Q803 10/50
Q804 10/50
Q805 10/50
Q806 10/50
Q807 10/50
Q808 10/50
Q809 10/50
Q810 10/50
Q811 10/50
Q812 10/50
Q813 10/50
Q814 10/50
Q815 10/50
Q816 10/50
Q817 10/50
Q818 10/50
Q819 10/50
Q820 10/50
Q821 10/50
Q822 10/50
Q823 10/50
Q824 10/50
Q825 10/50
Q826 10/50
Q827 10/50
Q828 10/50
Q829 10/50
Q830 10/50
Q831 10/50
Q832 10/50
Q833 10/50
Q834 10/50
Q835 10/50
Q836 10/50
Q837 10/50
Q838 10/50
Q839 10/50
Q840 10/50
Q841 10/50
Q842 10/50
Q843 10/50
Q844 10/50
Q845 10/50
Q846 10/50
Q847 10/50
Q848 10/50
Q849 10/50
Q850 10/50
Q851 10/50
Q852 10/50
Q853 10/50
Q854 10/50
Q855 10/50
Q856 10/50
Q857 10/50
Q858 10/50
Q859 10/50
Q860 10/50
Q861 10/50
Q862 10/50
Q863 10/50
Q864 10/50
Q865 10/50
Q866 10/50
Q867 10/50
Q868 10/50
Q869 10/50
Q870 10/50
Q871 10/50
Q872 10/50
Q873 10/50
Q874 10/50
Q875 10/50
Q876 10/50
Q877 10/50
Q878 10/50
Q879 10/50
Q880 10/50
Q881 10/50
Q882 10/50
Q883 10/50
Q884 10/50
Q885 10/50
Q886 10/50
Q887 10/50
Q888 10/50
Q889 10/50
Q890 10/50
Q891 10/50
Q892 10/50
Q893 10/50
Q894 10/50
Q895 10/50
Q896 10/50
Q897 10/50
Q898 10/50
Q899 10/50
Q900 10/50
Q901 10/50
Q902 10/50
Q903 10/50
Q904 10/50
Q905 10/50
Q906 10/50
Q907 10/50
Q908 10/50
Q909 10/50
Q910 10/50
Q911 10/50
Q912 10/50
Q913 10/50
Q914 10/50
Q915 10/50
Q916 10/50
Q917 10/50
Q918 10/50
Q919 10/50
Q920 10/50
Q921 10/50
Q922 10/50
Q923 10/50
Q924 10/50
Q925 10/50
Q926 10/50
Q927 10/50
Q928 10/50
Q929 10/50
Q930 10/50
Q931 10/50
Q932 10/50
Q933 10/50
Q934 10/50
Q935 10/50
Q936 10/50
Q937 10/50
Q938 10/50
Q939 10/50
Q940 10/50
Q941 10/50
Q942 10/50
Q943 10/50
Q944 10/50
Q945 10/50
Q946 10/50
Q947 10/50
Q948 10/50
Q949 10/50
Q950 10/50
Q951 10/50
Q952 10/50
Q953 10/50
Q954 10/50
Q955 10/50
Q956 10/50
Q957 10/50
Q958 10/50
Q959 10/50
Q960 10/50
Q961 10/50
Q962 10/50
Q963 10/50
Q964 10/50
Q965 10/50
Q966 10/50
Q967 10/50
Q968 10/50
Q969 10/50
Q970 10/50
Q971 10/50
Q972 10/50
Q973 10/50
Q974 10/50
Q975 10/50
Q976 10/50
Q977 10/50
Q978 10/50
Q979 10/50
Q980 10/50
Q981 10/50
Q982 10/50
Q983 10/50
Q984 10/50
Q985 10/50
Q986 10/50
Q987 10/50
Q988 10/50
Q989 10/50
Q990 10/50
Q991 10/50
Q992 10/50
Q993 10/50
Q994 10/50
Q995 10/50
Q996 10/50
Q997 10/50
Q998 10/50
Q999 10/50
Q1000 10/50

IC401 M5210P
D408 AEL1011
D401-404 AEL1018
D405-407 AEL1019

AUX
CD
TUNER
SOURCE
TAPE 1
TAPE 2

PHONO
TUNER
CD DIRECT
TAPE 1
TAPE 2

POWER
SUBSONIC FILTER (OFF-ON)
VOLUME
BALANCE
LOUDNESS (OFF-ON)
BASS
TREBLE



- RESISTORS:**
Indicated in Ω, kΩ, MΩ, % tolerance unless otherwise noted k: kΩ, M: MΩ, (F): ±1%, (G): ±2%, (K): ±10% (M): ±20% tolerance
- CAPACITORS:**
Indicated in capacity (μF)/voltage (V) unless otherwise noted p: pF
Indication without voltage is 50V except electrolytic capacitor.
- VOLTAGE, CURRENT:**
V: Signal voltage at 8Ω + 8Ω, 8Ω output (1kHz)
DC voltage (V) at no input signal
Value in I: DC voltage at rated power.
mA: DC current at no input signal
- OTHERS:**
⊙: Signal trace
⊙: Adjusting point
⚠: The ⚠ mark found on some component parts indicates the importance of the safety factor of the part. Therefore, when replacing, be sure to use parts of identical designation.
⚠: marked capacitors and resistors have parts numbers.
- SWITCHES**
S1: POWER (ON-OFF)
S401-1-4: FUNCTION (MM-MC)
S401-5: TAPE 1 MONITOR (ON-OFF)
S401-6: TAPE 2 MONITOR (ON-OFF)
S403: CD DIRECT (ON-OFF)
S404: SUBSONIC FILTER (ON-OFF)
S501: LOUDNESS (ON-OFF)
S601: REC SELECTOR
S701: SPEAKERS A,B (ON-OFF)

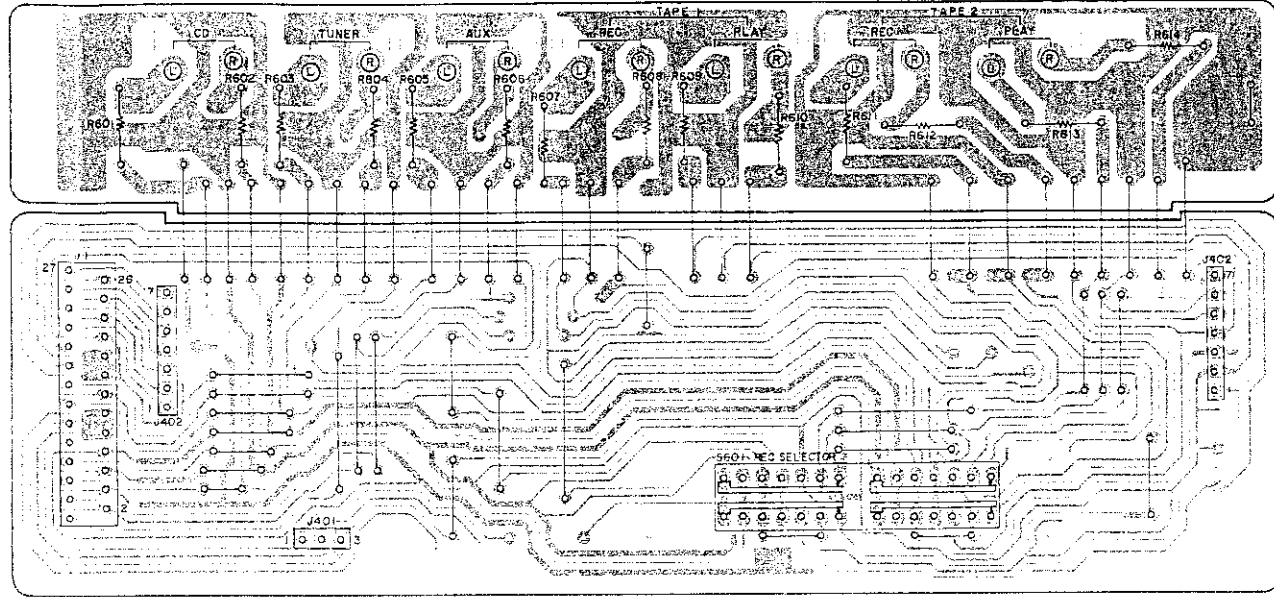
A

B

C

D

PINJACK ASSEMBLY



A

B

C

D

SP TERMINAL ASSMBLY

