

Service Manual

ORDER NO.
ARP2732

STEREO AMPLIFIER

A-202

A-102

● Refer to the service manual ARP2508 for A-201.

A-202 AND A-102 HAVE THE FOLLOWING:

| Type | Model | | Power Requirement | Remarks |
|------|-------|-------|---|---------|
| | A-202 | A-102 | | |
| HEWZ | ○ | ○ | AC220 - 230V, 240V (switchable)* | |
| HE | ○ | ○ | AC220 - 230V, 240V (switchable)* | |
| HB | ○ | ○ | AC220 - 230V, 240V (switchable)* | |
| HL | ○ | ○ | AC220 - 230V, 240V (switchable)* | |
| YPW | - | ○ | AC240V only | |
| SD | ○ | ○ | AC110V, 120 - 127V, 220V, 240V (switchable) | |

*Change the connection of the power transformer's primary wiring.

● This manual is applicable to the following: A-202/HEWZ, HE, HB, HL and SD; A-102/HEWZ, HE, HB, HL, YPW and SD.

1. FOR A-202/HEWZ, HE, HB, HL AND SD TYPES

NOTES:

- Parts marked by "NSP" are generally unavailable because they are not in our Master Spare Parts List.
- ▲ The ▲ mark found on some component parts indicates the importance of the safety factor of the part. Therefore, when replacing, be sure to use parts of identical designation.
- Parts marked by "●" are not always kept in stock. Their delivery time may be longer than usual or they may be unavailable.

1.1 CONTRAST OF MISCELLANEOUS PARTS

A-202/HEWZ, HE, HB, HL, SD and A-201/HEWZ have the same construction except for the following:

| Mark | Symbol&Description | Part No. | | | | | | Remarks |
|------|--|--------------|--------------|----------|----------|----------|-----------|--------------------|
| | | A-201/HEWZ | A-202/HEWZ | A-202/HE | A-202/HB | A-202/HL | A-202/SD | |
| ● | AF ASSY | AWZ2356 | AWZ2356 | AWZ2357 | AWZ2357 | AWZ2357 | AWZ2460 | |
| NSP | SP SW ASSY | AWZ2364 | AWZ2364 | AWZ2365 | AWZ2365 | AWZ2365 | AWZ2365 | |
| ▲ | AC Power cord | ADG1049 | ADG1049 | ADG1049 | ADG1118 | ADG1049 | ADG1051 | |
| ▲ | AC socket 3 - P | | | | | | AKP - 515 | |
| ▲ | Voltage selector | | | | | | AKX - 507 | For the rear panel |
| ▲ | FU2 Fuse(1.25A/250V) | | | | | | AEK - 509 | For AF assy |
| ▲ | Power transformer (AC 220 - 230/240V) | ATS1338 | ATS1338 | ATS1338 | ATS1338 | ATS1338 | | |
| ▲ | Power transformer (AC 110/120 - 127/220/ 240V) | | | | | | ATS1190 | |
| ▲ | R10 Carbon film resistor | RD1/4PMF4R7J | RD1/4PMF4R7J | | | | | |
| NSP | Name plate | AAL1947 | AAL2079 | AAL2080 | AAL2081 | AAL2083 | AAL2082 | |
| | Name plate (metal) | AAM1029 | AAM1058 | AAM1058 | AAM1058 | AAM1058 | AAM1058 | |
| | Packing case | AHD2271 | AHD2558 | AHD2558 | AHD2559 | AHD2558 | AHD2560 | |
| | Front panel | ANB1522 | ANB1562 | ANB1562 | ANB1562 | ANB1562 | ANB1562 | |
| NSP | Rear panel | ANC1365 | ANC2099 | ANC2099 | ANC2099 | ANC2099 | ANC2100 | |
| | Insulator ASSY | AMR2140 | AMR2140 | AMR2140 | AMR2140 | AMR2140 | AMR2141 | |
| | Operating instructions (English) | | | | ARB1437 | ARB1437 | ARB1437 | |
| | Operating instructions (Spanish) | | | | | | ARC1432 | |
| | Operating instructions (German) | ARC1354 | ARC1430 | | | | | |
| | Operating instructions (English/German/French/ Italian/Swedish/Dutch/ Spanish/Portuguese) | | | ARE1284 | | | | |
| | Spacer | | | | AHB1109 | | | *1 |

*1: See page 3

AF ASSY

AWZ2357, AWZ2460 and AWZ2356 have the same construction except for the following:

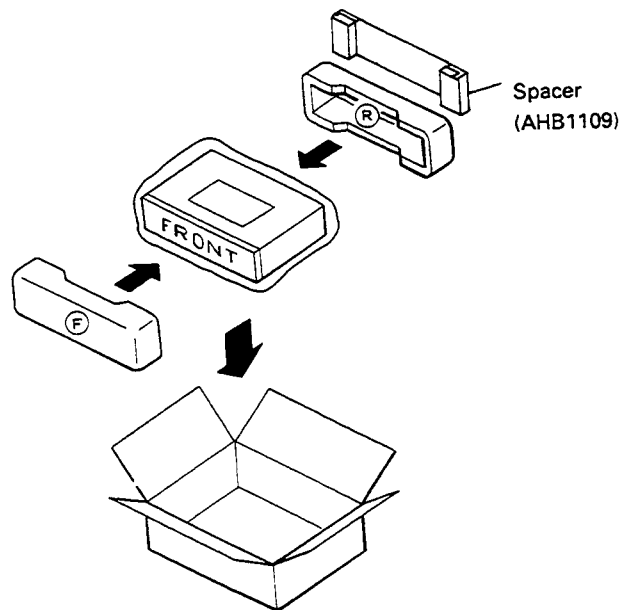
| Mark | Symbol&Description | Part No. | | | Remarks |
|------|-------------------------------------|--------------|-------------|-------------|---------|
| | | AWZ2356 | AWZ2357 | AWZ2460 | |
| | C3 | COMXA104J100 | ACG1005 | ACG1005 | |
| | C151,C152,C155,C156, C159 - C162 | CKDYB391K50 | | | |
| | C215,C216 | CKDYB391K50 | CCDSL221J50 | CCDSL221J50 | |
| | C231,C232 | CKCYB222K50 | | | |
| | C251,C252 | CKDYB391K50 | | | |
| | C409,C410 | CCDSL050C50 | CCDSL020C50 | CCDSL020C50 | |
| | C419,C420 | CCDSL101J50 | CCDSL151J50 | CCDSL151J50 | |
| | C421 | CKCYF103Z50 | | | |
| | C951 - C955 | CKDYB472K50 | | | |
| | L951 - L954 | ATH - 133 | | | |
| | R151 - R158 | RD1/8PM102J | | | |
| | R201,R202 | RD1/8PM152J | RD1/8PM331J | RD1/8PM331J | |
| | R217,R218 | RD1/8PM221J | RD1/8PM181J | RD1/8PM181J | |

SP SW ASSY

AWZ2365 and AWZ2364 have the same construction except for the following:

| Mark | Symbol&Description | Part No. | | Remarks |
|------|--------------------|--------------|---------|---------|
| | | AWZ2364 | AWZ2365 | |
| | C751,C752 | CKDYB392K50 | | |
| | R751,R752 | RD1/2PMF681J | | |

**●Packing
(For A-202/HB)**



2. FOR A-102/HEWZ, HE, HB, HL ,YPW AND SD TYPES

2.1 CONTRAST OF MISCELLANEOUS PARTS

A-102/HEWZ, HE, HB, HL, YPW, SD and A-101/YPW are the same construction except for the following:

| Mark | Symbol&Description | Part No. | | | | | | | Remarks |
|------|--|-----------|--------------|----------|----------|-----------|-----------|-----------|--------------------|
| | | A-101/YPW | A-102/HEWZ | A-102/HE | A-102/HB | A-102/HL | A-102/YPW | A-102/SD | |
| ● | AF ASSY | AWZ2359 | AWZ2358 | AWZ2359 | AWZ2359 | AWZ2359 | AWZ2359 | AWZ2461 | |
| NSP | HEADPHONE ASSY | AWZ2367 | AWZ2366 | AWZ2367 | AWZ2367 | AWZ2367 | AWZ2367 | AWZ2367 | |
| ⚠ | AC Power cord | ADG1050 | ADG1049 | ADG1049 | ADG1118 | ADG1049 | ADG1123 | ADG1051 | |
| ⚠ | Voltage selector | | | | | | | AKX - 507 | For the rear panel |
| ⚠ | Power transformer (AC 220 - 230/240V) | ATS1339 | ATS1339 | ATS1339 | ATS1339 | ATS1339 | ATS1339 | | |
| ⚠ | Power transformer (AC 110/120 - 127/220/ 240V) | | | | | | | ATS1192 | |
| ⚠ | AC socket 3 - P | | | | | | | AKP - 515 | |
| ⚠ | FU2 Fuse (T800mA/250V) | | | | | | | AEK - 507 | For AF assy |
| | R10 Carbon film resistor | | RD1/4PMF4R7J | | | | | | |
| NSP | Name plate | AAL1952 | AAL2084 | AAL2085 | AAL2086 | AAL2088 | AAL2086 | AAL2087 | |
| | Name plate (metal) | AAM1029 | AAM1058 | AAM1058 | AAM1058 | AAM1058 | AAM1058 | AAM1058 | |
| | Packing case | AHD2272 | AHD2561 | AHD2561 | AHD2562 | AHD2561 | AHD2562 | AHD2563 | |
| | Front panel | ANB1523 | ANB1563 | ANB1563 | ANB1563 | ANB1563 | ANB1563 | ANB1563 | |
| NSP | Rear panel | ANC1363 | ANC2101 | ANC2101 | ANC2101 | ANC2101 | ANC2101 | ANC2102 | |
| | Insulator ASSY | | AMR2140 | AMR2140 | AMR2140 | | | | For Leg assembly |
| | Leg assembly | AEC - 784 | | | | AEC - 784 | AEC - 784 | AEC - 784 | |
| | Operating instructions (English) | ARB1372 | | | ARB1437 | ARB1437 | ARB1437 | ARB1437 | |
| | Operating instructions (Spanish) | | | | | | | ARC1432 | |
| | Operating instructions (German) | | ARC1430 | | | | | | |
| | Operating instructions (English/German/French/ Italian/Swedish/Dutch/ Spanish/Portuguese) | | | ARE1284 | | | | | |
| | Spacer | | | | AHB1109 | | AHB1109 | | *2 |

*2: See page 3, packing for A-202/HB.

AF ASSY

AWZ2358 , AWZ2461 and AWZ2359 have the same construction except for the following:

| Mark | Symbol&Description | Part No. | | | Remarks |
|------|-------------------------------------|-------------|--------------|-------------|---------|
| | | AWZ2359 | AWZ2358 | AWZ2461 | |
| | C3 | ACG1005 | COMXA104J100 | ACG1005 | |
| | C151,C152,C155,C156, C159 - C162 | | CKDYB391K50 | | |
| | C215,C216 | CCDSL221J50 | CKDYB391K50 | CCDSL221J50 | |
| | C231,C232 | | CKCYB222K50 | | |
| | C251,C252 | | CKDYB391K50 | | |
| | C407,C408 | CEAS101M10 | CEXA101M25 | CEAS101M10 | |
| | C421 | | CKCYF103Z50 | | |
| | C953 - C955 | | CKDYB472K50 | | |
| | L953,L954 | | ATH - 133 | | |
| | R151 - R158 | | RD1/8PM102J | | |
| | R201,R202 | RD1/8PM331J | RD1/8PM152J | RD1/8PM331J | |
| | R217,R218 | RD1/8PM181J | RD1/8PM221J | RD1/8PM181J | |
| | R951,R952 | | RD1/2PMF681J | | |

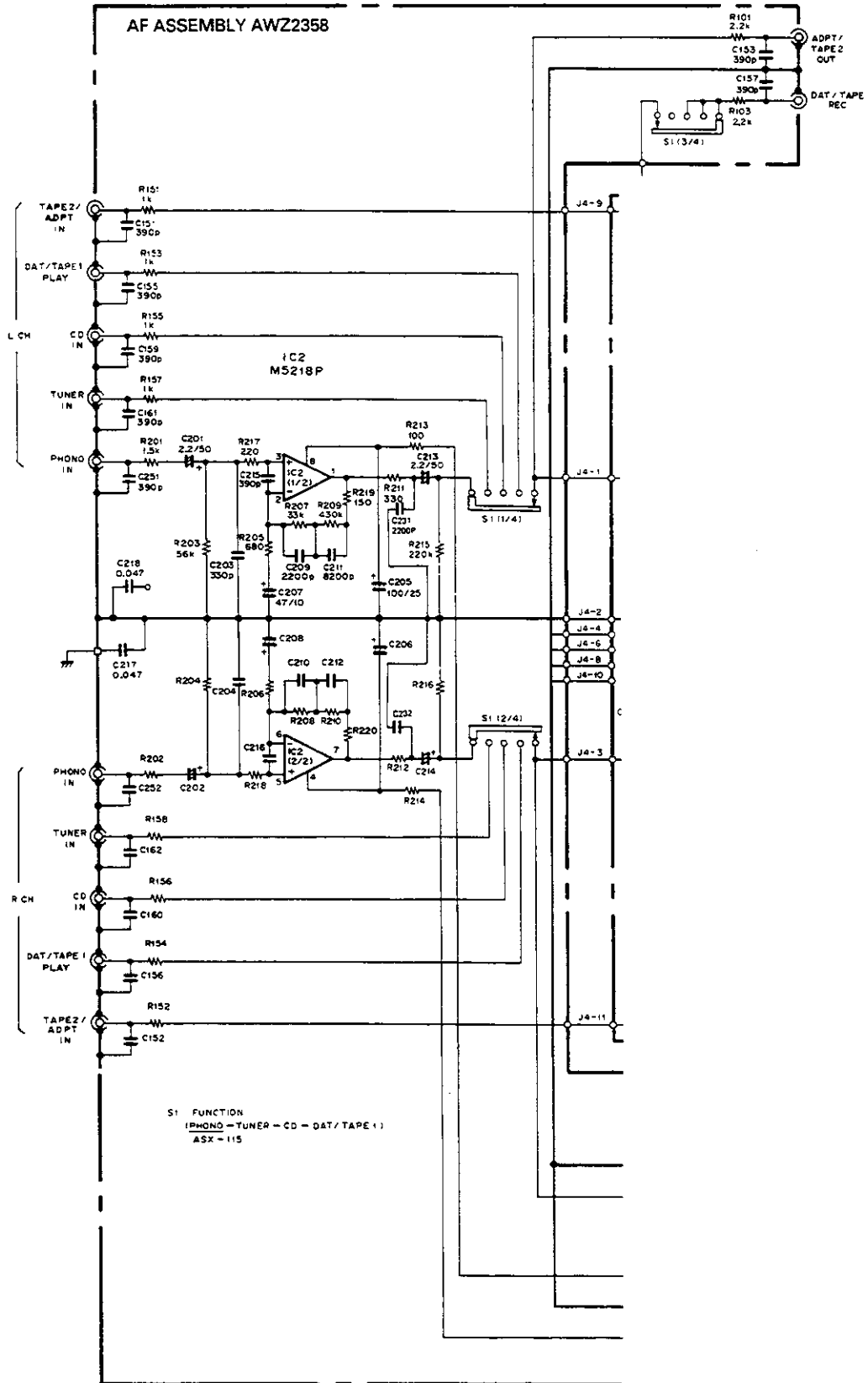
HEADPHONE ASSY

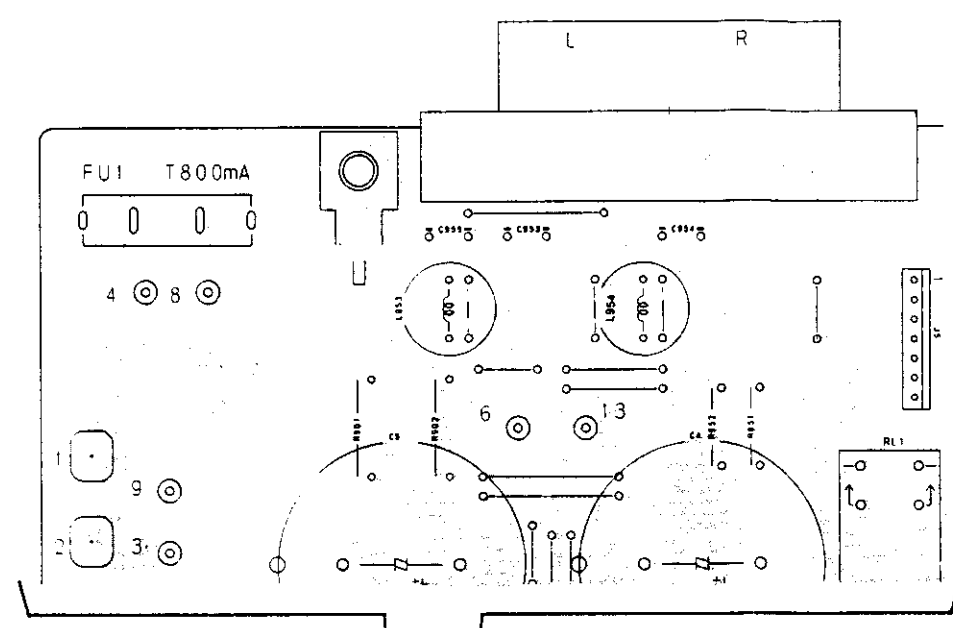
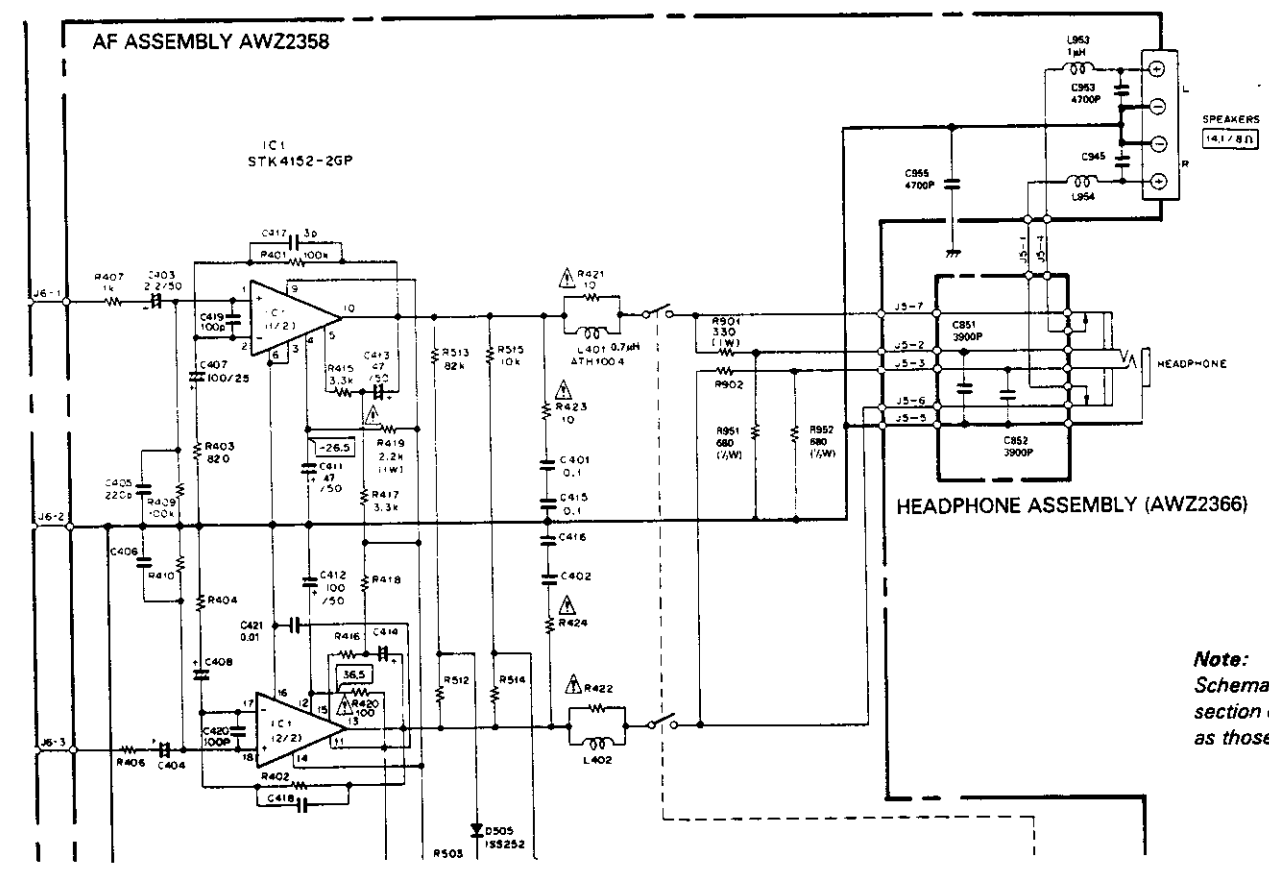
AWZ2366 and AWZ2367 have the same construction except for the following:

| Mark | Symbol&Description | Part No. | | Remarks |
|------|--------------------|----------|-------------|---------|
| | | AWZ2367 | AWZ2366 | |
| | C851,C852 | | CKDYB392K50 | |

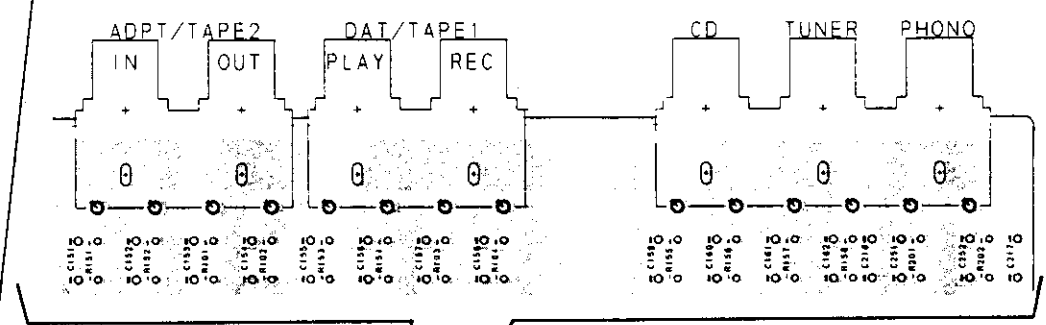
2.2 SCHEMATIC AND PCB DIAGRAMS

- For assemblies which are different in A-102/HEWZ and A-101/YPW, the schematic and PCB diagrams are shown below.
- **Schematic diagram**
(AF and HEADPHONE assemblies for A-102/HEWZ)



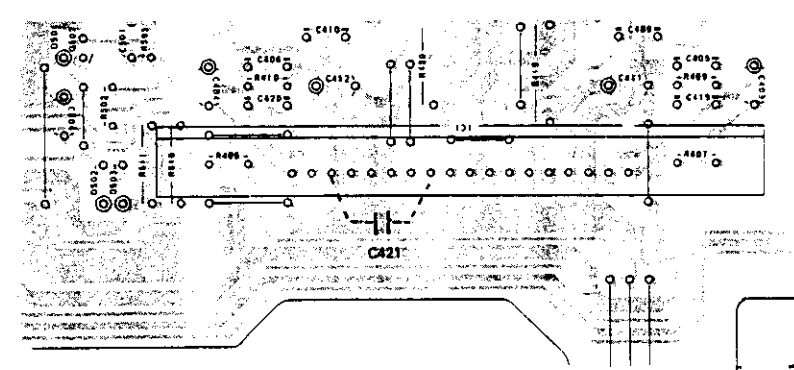
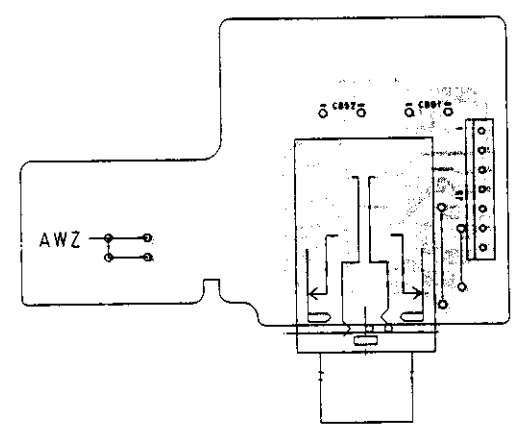


Note:
Schematic and PCB diagrams for power supply section of A-202/SD and A-102/SD are the same as those of A-201/SD and A-101/SD.

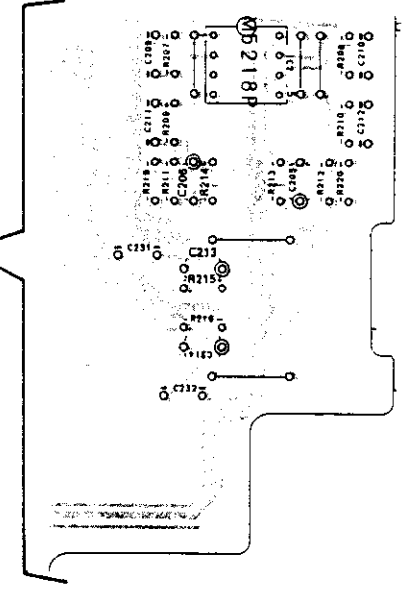


• PCB diagrams (AF and HEADPHONE assemblies for A-102/HEWZ)

HEADPHONE ASSEMBLY (AWZ2366)

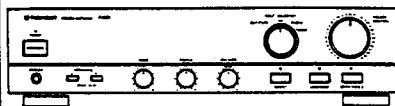


AF ASSEMBLY (AWZ2358)



PIONEER®
The Art of Entertainment

Service Manual



ORDER NO.
ARP2508

STEREO AMPLIFIER

A-201

A-101

A-201, A-101 HAVE THE FOLLOWING:

| Type | Model | | Power Requirement | Remarks |
|------|-------|-------|---|---------|
| | A-201 | A-101 | | |
| HEWZ | ○ | — | AC220-230V, 240V (switchable) * | |
| HE | ○ | — | AC220-230V, 240V (switchable) * | |
| HB | ○ | — | AC220-230V, 240V (switchable) * | |
| YPW | — | ○ | AC240V only | |
| SD | ○ | ○ | AC110V, 120-127V, 220V, 240V (switchable) | |

* Change the connection of the power transformer's primary wiring.

- This manual is applicable to A-201/HEWZ, HE, HB, SD, A-101/YPW and SD types.
- For A-201/HE, HB, SD and A-101/SD types, refer to pages 28-30.

CONTENTS

| | |
|--|----|
| 1. EXPLODED VIEWS AND PARTS LIST | 2 |
| 2. PACKING AND PARTS LIST | 5 |
| 3. SCHEMATIC AND PCB CONNECTIONS DIAGRAMS | 6 |
| 4. PCB PARTS LIST | 24 |
| 5. FOR A-201/HE, HB AND SD TYPES | 28 |
| 6. FOR A-101/SD TYPE | 29 |
| 7. SPECIFICATIONS | 31 |
| 8. PANEL FACILITIES | 32 |

PIONEER ELECTRONIC CORPORATION 4-1, Meguro 1-Chome, Meguro-ku, Tokyo 153, Japan
PIONEER ELECTRONICS SERVICE INC. P.O. Box 1760, Long Beach, California 90801 U.S.A.
PIONEER ELECTRONICS OF CANADA, INC. 300 Allstate Parkway Markham, Ontario L3R 0P2 Canada
PIONEER ELECTRONIC [EUROPE] N.V. Haven 1087 Keetberglaan 1, 9120 Melsele, Belgium
PIONEER ELECTRONICS AUSTRALIA PTY. LTD. 178-184 Boundary Road, Braeside, Victoria 3195, Australia TEL: [03] 580-9911
© PIONEER ELECTRONIC CORPORATION 1992

SG APR. 1992 Printed in Japan

1. EXPLODED VIEWS AND PARTS LIST

NOTES:

- Parts marked by "NSP" are generally unavailable because they are not in our Master Spare Parts List.
- The Δ mark found on some component parts indicates the importance of the safety factor of the part. Therefore, when replacing, be sure to use parts of identical designation.
- Parts marked by " \odot " are not always kept in stock. Their delivery time may be longer than usual or they may be unavailable.

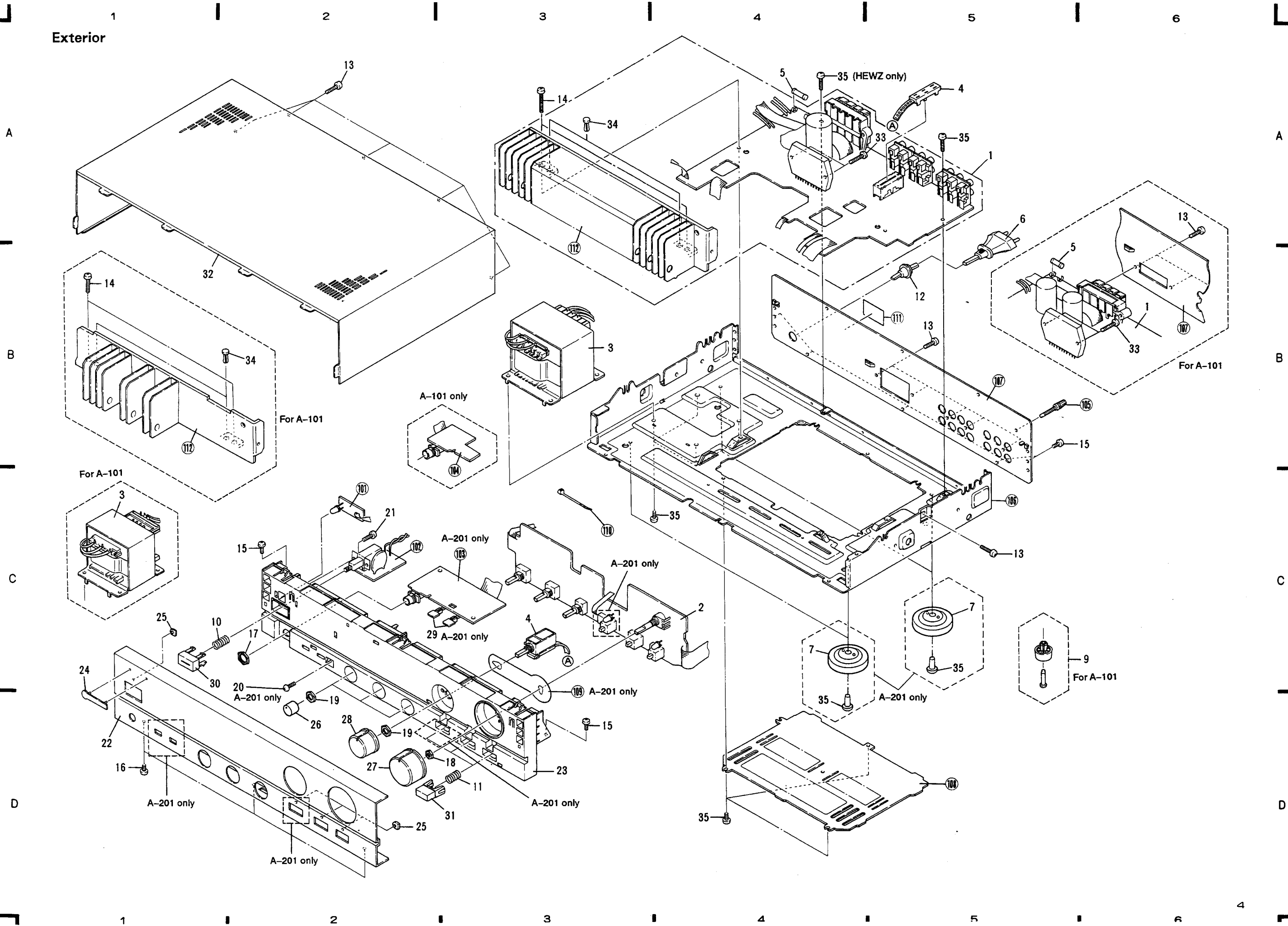
Parts List of A-201

| Mark | No. | Description | Part No. |
|----------|-----|---------------------------------|--------------|
| \odot | 1 | AF assembly | AWZ2356 |
| \odot | 2 | Front assembly | AWZ2360 |
| Δ | 3 | Power transformer (T1) | ATS1338 |
| | 4 | Remote slide rotary switch (S1) | ASU1023 |
| Δ | 5 | Fuse (FU1, T1.25A/250V) | AEK - 509 |
| Δ | 6 | AC Power cord | ADG1049 |
| | 7 | Insulator assembly | AMR2140 |
| | 8 | | |
| | 9 | | |
| | 10 | Coil spring (B) | ABH - 052 |
| | 11 | Coil spring (B) | ABH1034 |
| | 12 | Strain relife | AEC - 882 |
| | 13 | Screw | ABA - 298 |
| | 14 | Screw | ABA1007 |
| | 15 | Screw | ABA1009 |
| | 16 | Screw | ABA1048 |
| | 17 | Nut | ABN - 065 |
| | 18 | Nut | NK70FUC |
| | 19 | Nut | NK90FZB |
| | 20 | Screw | VMZ30P060FCU |
| | 21 | Screw | VPZ30P100FMC |
| | 22 | Front panel | ANB1522 |
| | 23 | Panel base | AMB1630 |
| | 24 | Friction plate | AAM1029 |
| | 25 | LED lens | AMR1160 |
| | 26 | Knob (S) | AAB1155 |
| | 27 | Knob (L) | AAB1097 |
| | 28 | Knob (M) | AAB1098 |
| | 29 | Knob (B) | AAD - 418 |
| | 30 | Knob (POWER) | AAD1984 |
| | 31 | Knob | AAD1536 |
| | 32 | Bonnet | ANE1174 |
| | 33 | Screw | ABA1022 |
| | 34 | Rivet | AEC1035 |
| | 35 | Screw | ABA1011 |
| NSP | 101 | LED assembly | AWZ2363 |
| NSP | 102 | Power SW assembly | AWZ2362 |
| NSP | 103 | SP SW assembly | AWZ2364 |
| | 104 | | |
| NSP | 105 | Terminal (GND) | AKE - 031 |
| NSP | 106 | Chassis | ANA1086 |
| NSP | 107 | Rear panel | ANC1365 |
| NSP | 108 | Bottom plate | ANF1047 |
| NSP | 109 | Shield plate | ANK1113 |
| NSP | 110 | Binder | AEC - 093 |
| NSP | 111 | Name sticker | AAL1947 |
| NSP | 112 | Heat sink | ANH1192 |

Parts List of A-101

| Mark | No. | Description | Part No. |
|----------|-----|---------------------------------|--------------|
| \odot | 1 | AF assembly | AWZ2359 |
| \odot | 2 | Front assembly | AWZ2361 |
| Δ | 3 | Power transformer (T1) | ATS1339 |
| | 4 | Remote slide rotary switch (S1) | ASU1023 |
| Δ | 5 | Fuse (FU1, T800mA/250V) | AEK - 507 |
| Δ | 6 | AC Power cord | ADG1050 |
| | 7 | | |
| | 8 | | |
| | 9 | Leg assembly | AEC - 784 |
| | 10 | Coil spring (B) | ABH - 052 |
| | 11 | Coil spring (B) | ABH1034 |
| | 12 | Strain relife | AEC - 882 |
| | 13 | Screw | ABA - 298 |
| | 14 | Screw | ABA1007 |
| | 15 | Screw | ABA1009 |
| | 16 | Screw | ABA1048 |
| | 17 | Nut | ABN - 065 |
| | 18 | Nut | NK70FUC |
| | 19 | Nut | NK90FZB |
| | 20 | | |
| | 21 | Screw | VPZ30P100FMC |
| | 22 | Front panel | ANB1523 |
| | 23 | Panel base | AMB1630 |
| | 24 | Friction plate | AAM1029 |
| | 25 | LED lens | AMR1160 |
| | 26 | Knob (S) | AAB1155 |
| | 27 | Knob (L) | AAB1097 |
| | 28 | Knob (M) | AAB1098 |
| | 29 | | |
| | 30 | Knob (POWER) | AAD1984 |
| | 31 | Knob | AAD1536 |
| | 32 | Bonnet | ANE1173 |
| | 33 | Screw | ABA1022 |
| | 34 | Rivet | AEC1035 |
| | 35 | Screw | ABA1011 |
| NSP | 101 | LED assembly | AWZ2363 |
| NSP | 102 | Power SW assembly | AWZ2362 |
| | 103 | | |
| NSP | 104 | Headphone assembly | AWZ2367 |
| NSP | 105 | Terminal (GND) | AKE - 031 |
| NSP | 106 | Chassis | ANA1086 |
| NSP | 107 | Rear panel | ANC1363 |
| NSP | 108 | Bottom plate | ANF1047 |
| | 109 | | |
| NSP | 110 | Binder | AEC - 093 |
| NSP | 111 | Name sticker | AAL1952 |
| NSP | 112 | Heat sink | ANH1191 |

Exterior

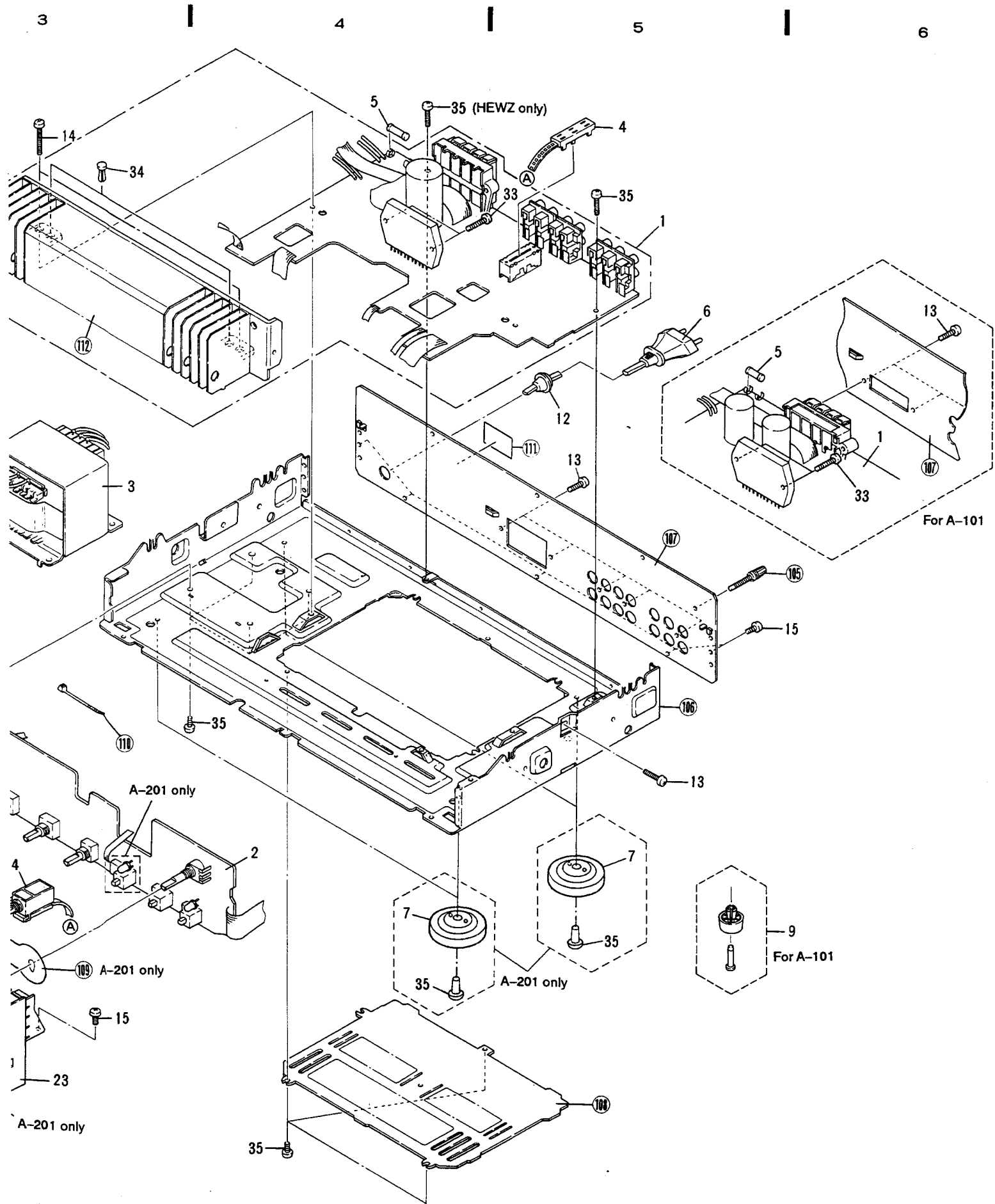


2. I

- NOTES:
- Parts m.
 - The Δ to use p.
 - Parts m.

Parts I

Mark I



2. PACKING AND PARTS LIST

NOTES:

- A
- Parts marked by "NSP" are generally unavailable because they are not in our Master Spare Parts List.
 - The Δ mark found on some component parts indicates the importance of the safety factor of the part. Therefore, when replacing, be sure to use parts of identical designation.
 - Parts marked by "⊙" are not always kept in stock. Their delivery time may be longer than usual or they may be unavailable.

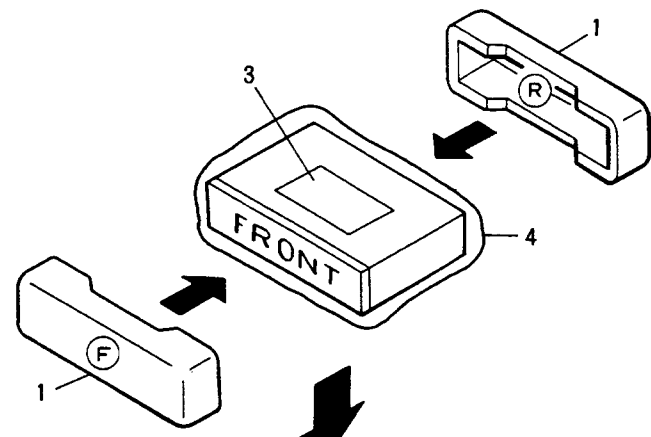
Parts List of A-201

| Mark | No. | Description | Part No. |
|------|-----|---------------------------------|----------|
| | 1 | Front - rear pad | AHA1240 |
| | 2 | Packing case | AHD2271 |
| | 3 | Operating instructions (German) | ARC1354 |
| | 4 | Sheet | AHG1017 |

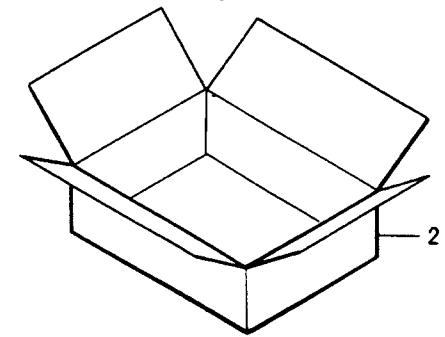
Parts List of A-101

| Mark | No. | Description | Part No. |
|------|-----|----------------------------------|----------|
| | 1 | Front - rear pad | AHA1240 |
| | 2 | Packing case | AHD2272 |
| | 3 | Operating instructions (English) | ARB1372 |
| | 4 | Sheet | AHG1017 |

B



C

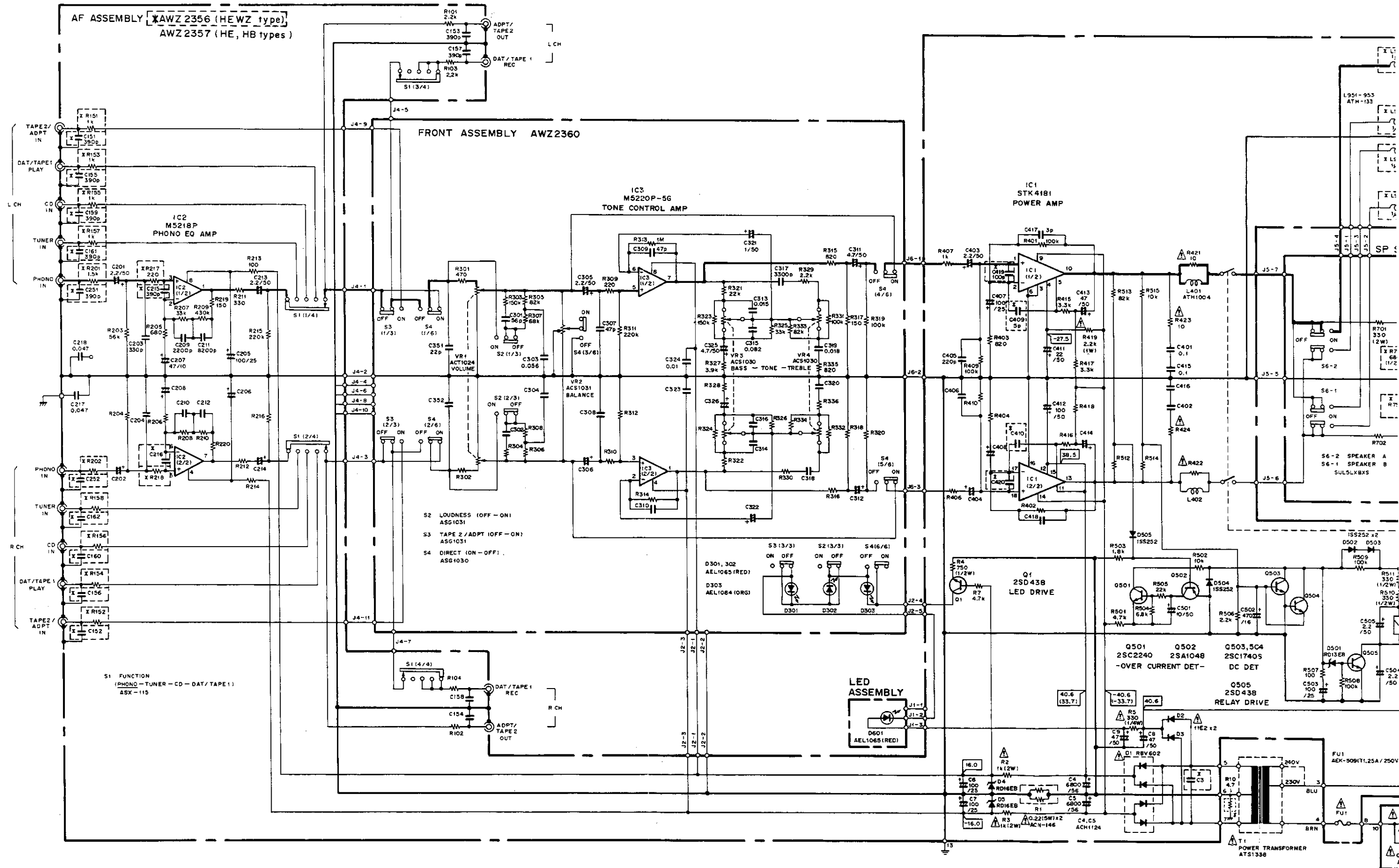


D

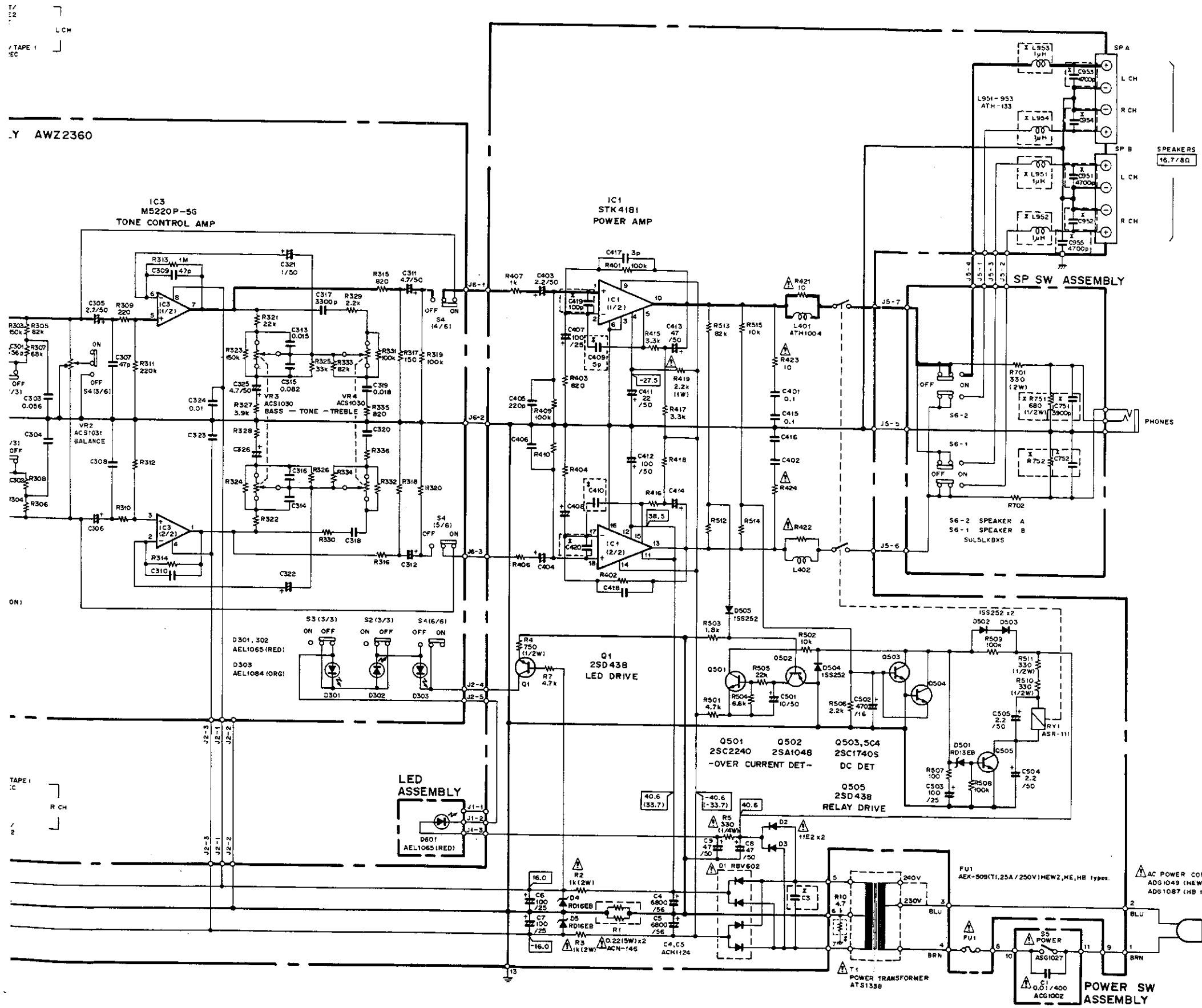
3. SCHEMATIC AND PCB CONNECTIONS DIAGRAMS

3.1 SCHEMATIC DIAGRAM OF A-201

A
B
C
D



6



- This circuit diagram is based on the HEWZ version.
- Parts with an asterisk (*) are different from this prepared for the HE and HB versions.
- Refer to the comparison list.

| * Marks are difference between two assemblies. | | |
|--|-------------------|----------------------|
| | HEWZ model | HE, HB models |
| AF Assembly | AWZ2356 | AWZ2357 |
| R151-R158 | 1k Ω | VACANT (JAMPER WIRE) |
| R201, R202 | 1.5k Ω | 330 Ω |
| R217, R218 | 220 Ω | 180 Ω |
| C151, C152, C155, C156, C159-C162, C251, C252 | 390p | VACANT (OPEN) |
| C951-C955 | 4700p | VACANT (OPEN) |
| C215, C216 | 390p | 220P |
| C419, C420 | 100p | 150p |
| C3 | 0.1 μ | 0.01 μ (ACG1005) |
| C409, C410 | 5p | 2p |
| L951-L954 | ATM - 133 (1 μ H) | VACANT (JAMPER WIRE) |
| SP SW Assembly | | |
| R751, R752 | 680 Ω (1/2W) | VACANT (OPEN) |
| C751, C752 | 3900p | VACANT (OPEN) |

- RESISTORS:**
Indicated in Ω, 2W, 1/2W, 1/8W, ±5% tolerance unless otherwise noted k; kΩ, M; MΩ, (F); ±1%, (G); ±2%, (K); ±10%, (M); ±20% tolerance.
- CAPACITORS:**
Indicated in capacity (μF)/voltage (V) unless otherwise noted p; pF. Indication without voltage is 50V except electrolytic capacitor.
- VOLTAGE CURRENT:**
[Symbol] : Signal voltage at (35W + 35W, 8Ω) output (1kHz).
[Symbol] : DC voltage (V) at no input signal.
Value in () is DC voltage at rated power.

- OTHERS:**
[Symbol] : Signal route.
[Symbol] : Adjusting point.
The Δ mark found on some component parts indicates the importance of the safety factor of the part. Therefore, when replacing, be sure to use parts of identical designation.
* marked capacitors and resistors have parts numbers.

- SWITCHES (Underline indicates switch position)**
S1 : FUNCTION (PHONO-TUNER-CD-DAT/TAPE1)
S2 : LOUDNESS (ON-OFF)
S3 : ADPT/TAPE2 (ON-OFF)
S4 : DIRECT (ON-OFF)
S5 : POWER (ON-OFF)
S6-1 : SPEAKERS B (ON-OFF)
S6-2 : SPEAKERS A (ON-OFF)

This is the basic schematic diagram, but the actual circuit may vary due to improvements in design.

Line Voltage Selection (HEWZ, HE and HB types)

- Line voltage can be changed with following steps.
1. Disconnect the AC power cord.
 2. Remove the Bonnet case.
 3. Change the connection of the power transformer lead wire.
 4. Stick the line voltage label on the rear panel.

| Part No. | Description | |
|----------|-------------|----------------|
| AAX-193 | 220v label | ———— 220V |
| AAX-192 | 240v label | - - - - - 240V |

3.2 PCB CONNECTIONS DIAGRAM OF A-201

• View from component side

A

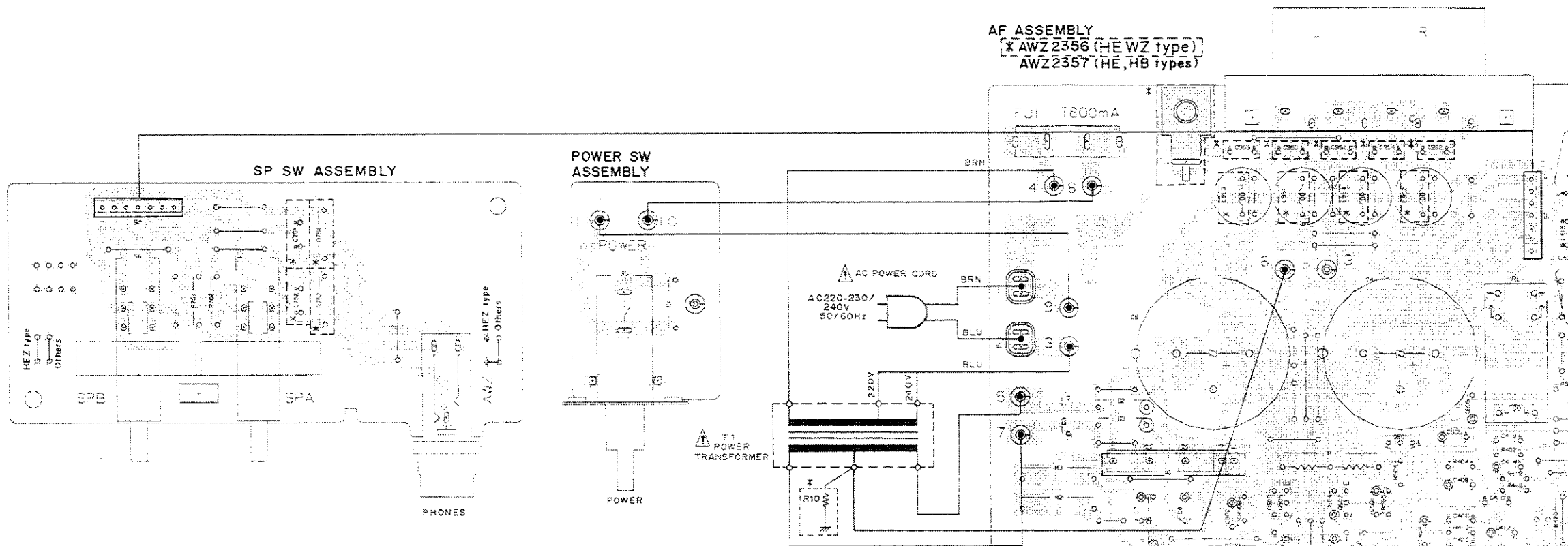
NOTE

1. The PCB connection diagram is viewed from the parts mounted side.
2. The parts which have been mounted on the board can be replaced with those shown with the corresponding wiring symbols listed in the following Table.

| P.C.B. pattern diagram indication | Corresponding part symbol | Part Name |
|-----------------------------------|---------------------------|---------------------------|
| Q504 | | Transistor |
| Q215 | | Radiator type transistor |
| D203 | | Diode |
| R237 | | Resistor |
| C512 | | Capacitor (Polarized) |
| C518 | | Capacitor (Non-polarized) |

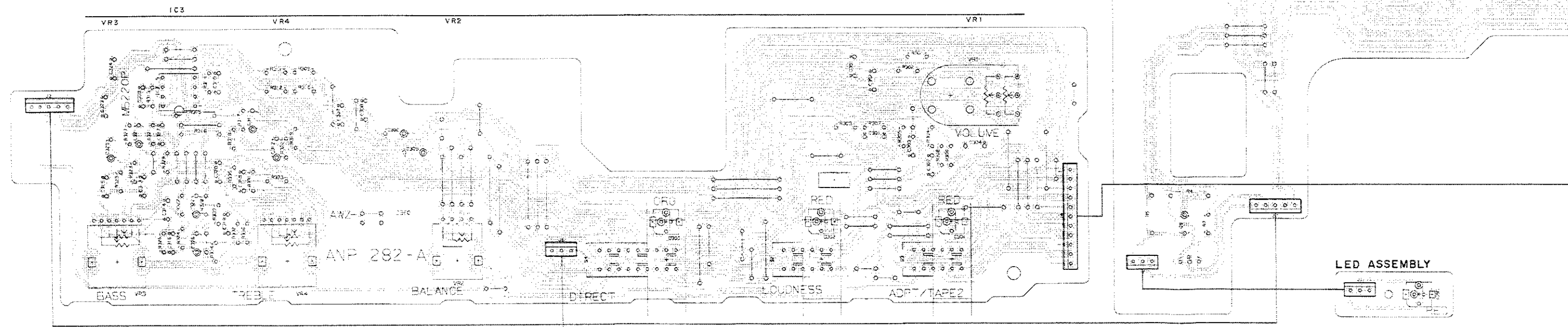
| P.C.B. pattern diagram indication | Part Name |
|-----------------------------------|--|
| IC | IC |
| S | Switch |
| RY | Relay |
| L | Coil |
| F | Filter |
| VR | Variable resistor or Semi-fixed resistor |

3. The capacitor terminal marked with ⊖ (double circles) shows negative terminal.
4. The diode terminal marked with ⊕ (double circles) shows cathode side.
5. The transistor terminal to which E is affixed shows the emitter.



B

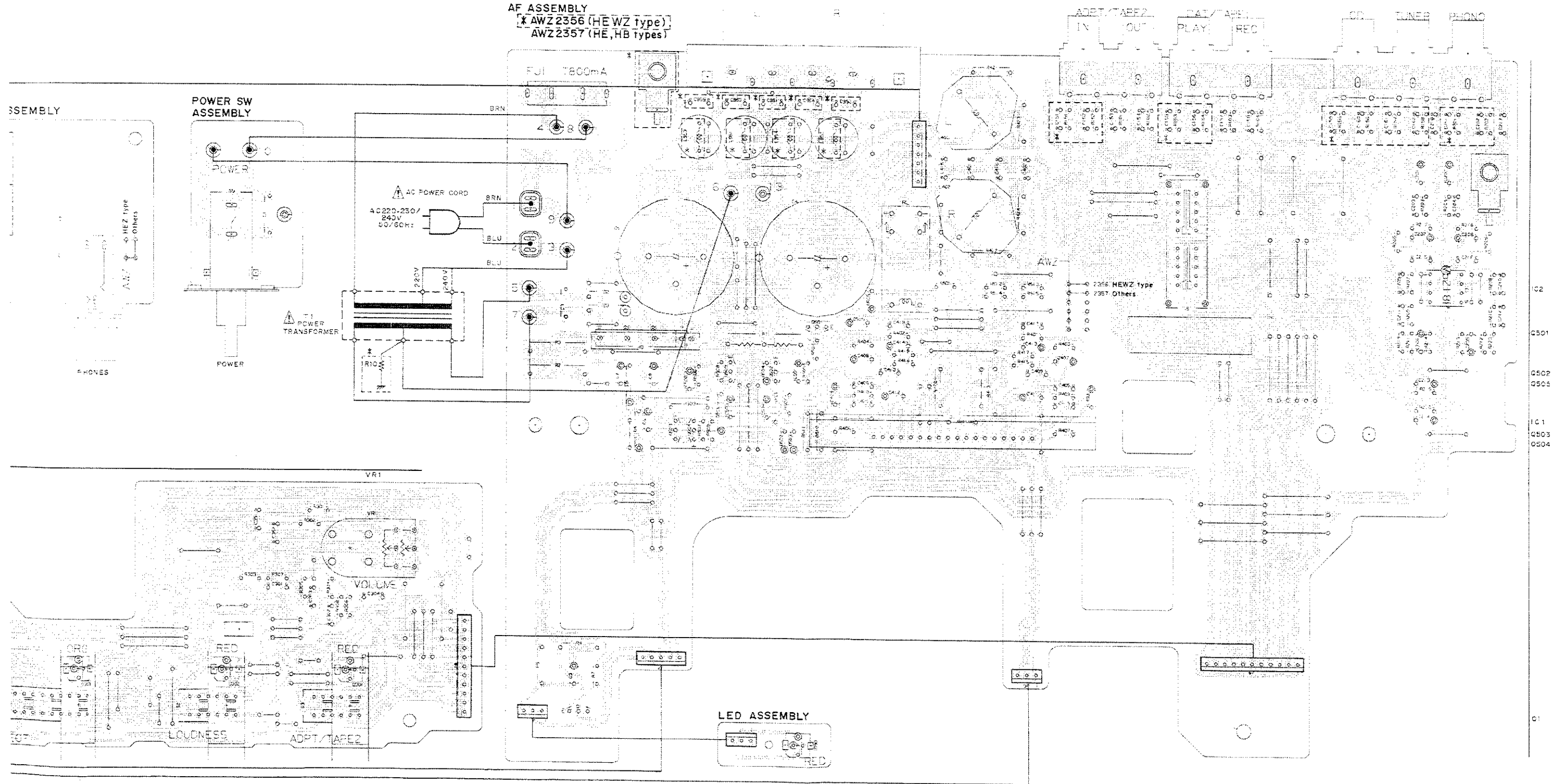
FRONT ASSEMBLY AWZ2360



C

D

AF ASSEMBLY
 * AWZ2356 (HE,WZ type)
 AWZ2357 (HE,HB types)



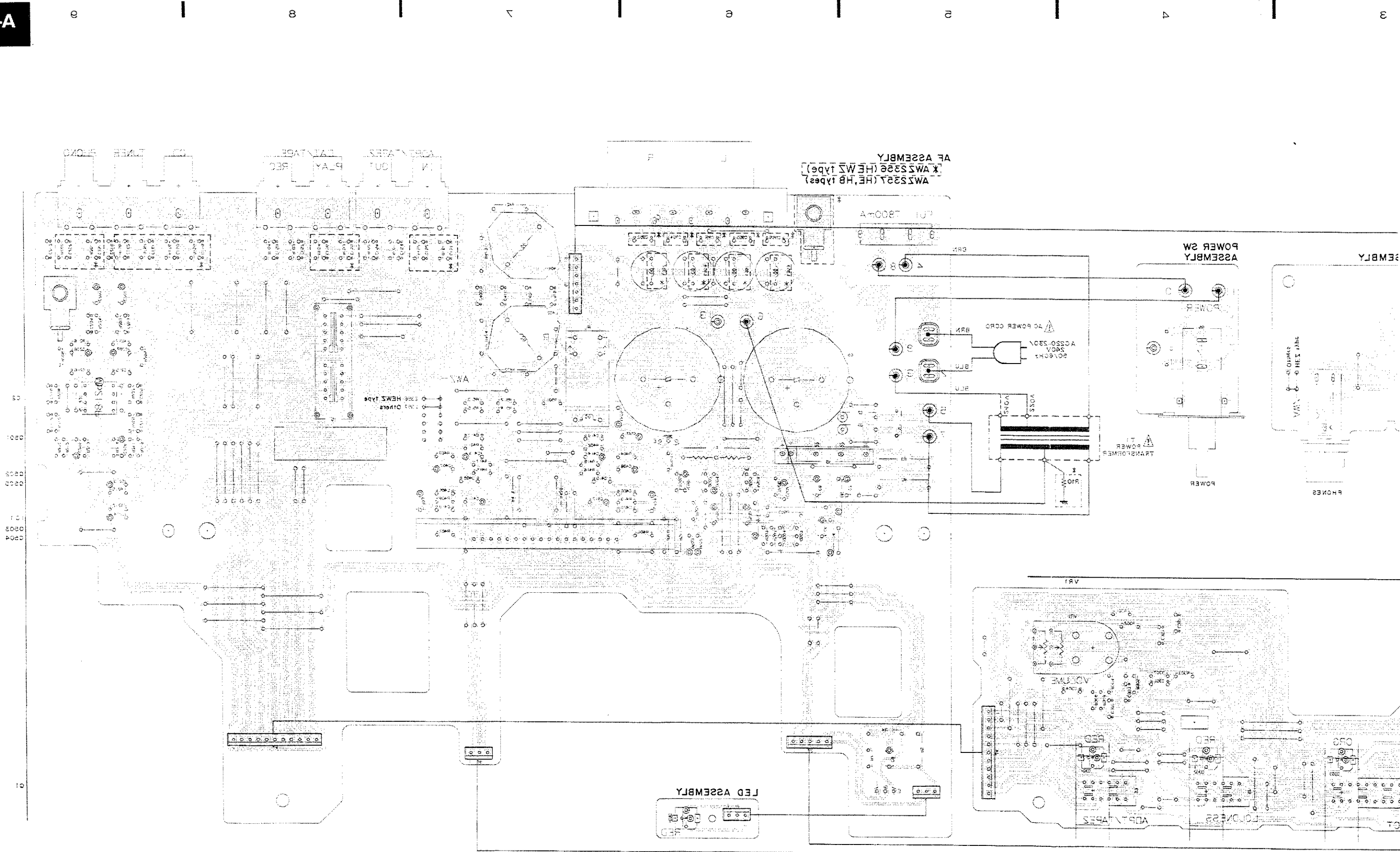
IC2
 C501
 C502
 C505
 IC1
 C503
 C504

A

B

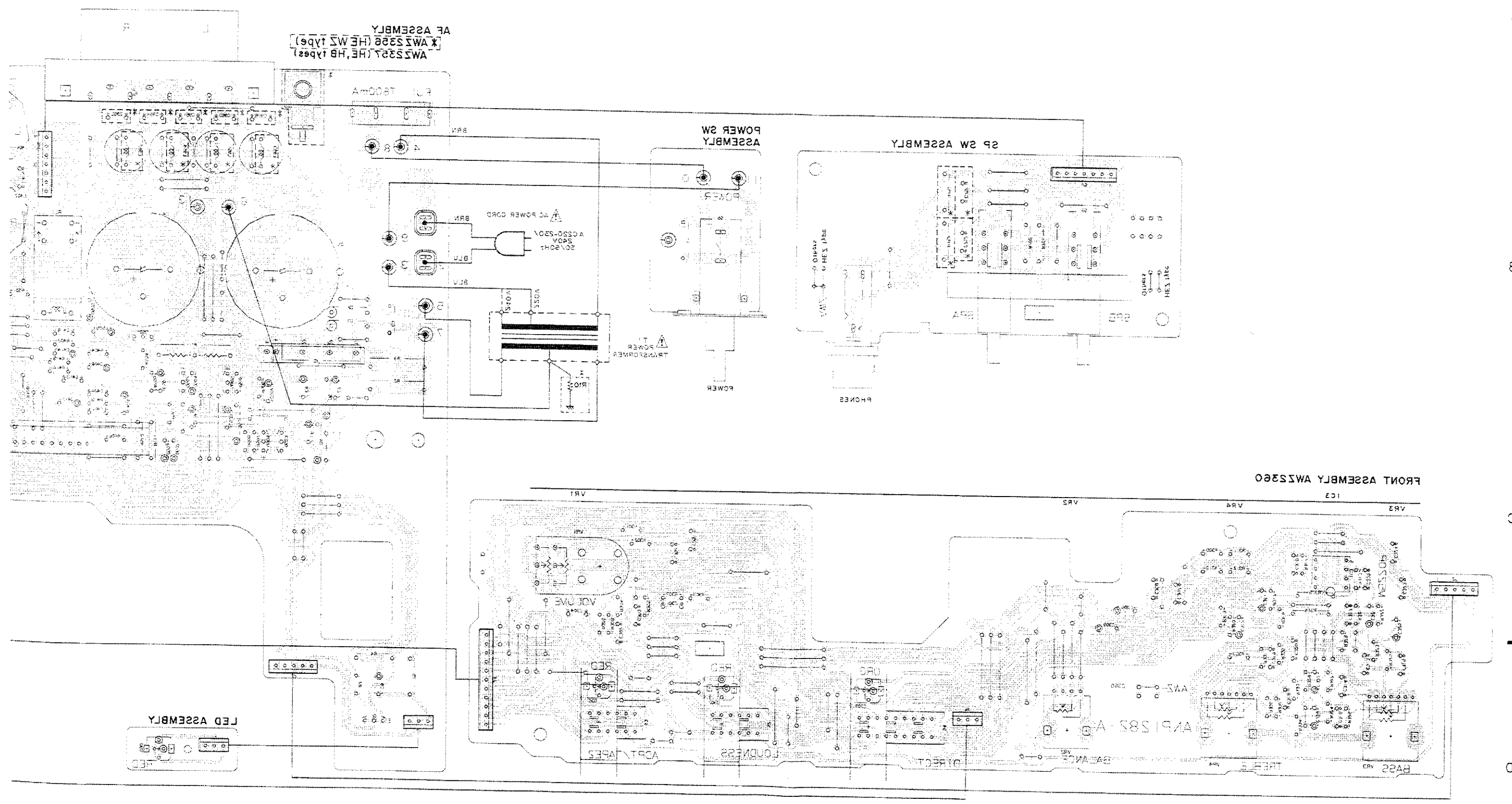
C

D



L

3.5 PCB CONNECTIONS DIAGRAM OF A-201
 • View from soldering side



A
B
C
D

1

2

3

4

5

6

1

2

3

4

5

6

3.3 PCB CONNECTIONS DIAGRAM OF A-101

• View from component side

NOTE

1. This PCB connection diagram is viewed from the parts mounted side.
2. The parts which have been mounted on the board can be replaced with those shown with the corresponding wiring symbols listed in the following table.

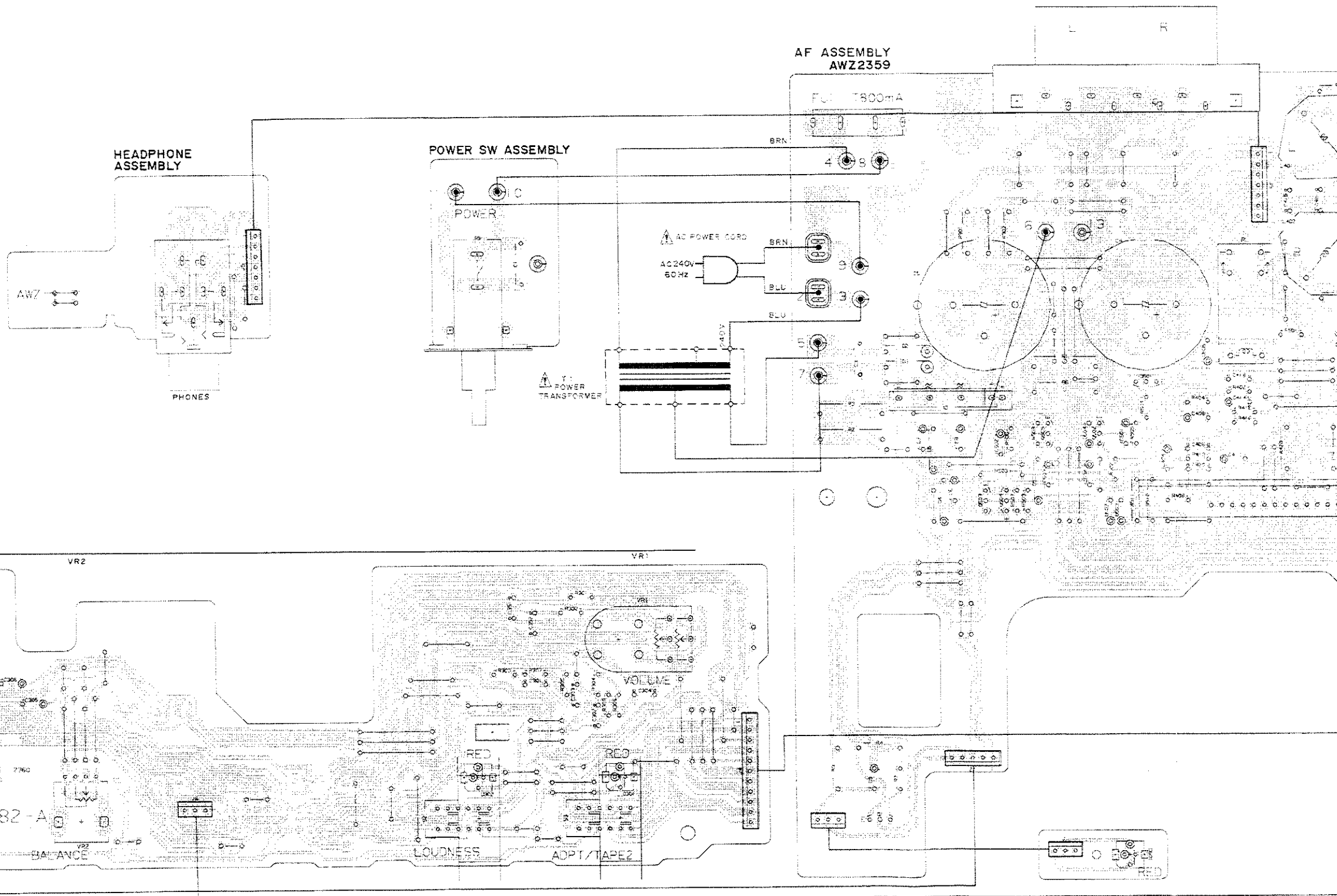
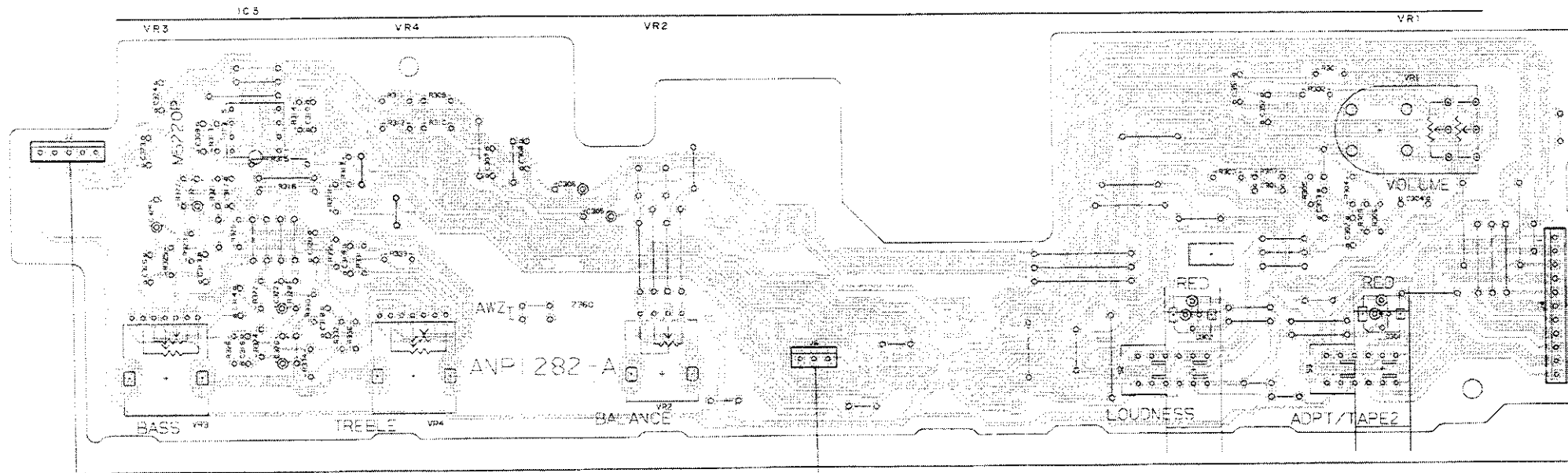
| P.C.B. pattern diagram indication | Corresponding part symbol | Part Name |
|-----------------------------------|---------------------------|---------------------------|
| Q504 E.C. or C | | Transistor |
| Q215 | | Radiator type transistor |
| D205 | | Diode |
| R237 | | Resistor |
| Z513 | | Circuit breaker (Phantus) |
| C518 | | Capacitor (Non-polarized) |

Others

| P.C.B. pattern diagram indication | Part Name |
|-----------------------------------|--|
| IC | IC |
| S | Switch |
| RY | Relay |
| L | Coil |
| F | Filter |
| VR | Variable resistor or Semi-fixed resistor |

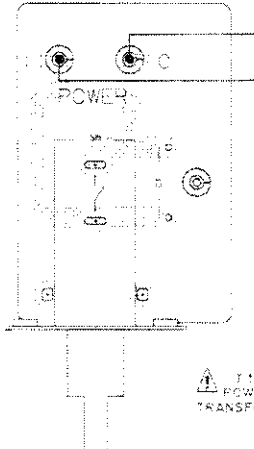
3. The capacitor terminal marked with ⊖ (double circles) shows negative terminal.
4. The diode terminal marked with ⊕ (double circles) shows cathode side.
5. The transistor terminal marked with E is affixed shows the emitter.

FRONT ASSEMBLY AWZ2361



AF ASSEMBLY
AWZ2359

POWER SW ASSEMBLY



AC POWER CORD

AC240V
60Hz

POWER
TRANSFORMER

FU 1800mA

SPN

BRN

BLU

BLU

LT

7

ADPT/TAPE2

IN

OUT

TAT/TAPE

PLAY

REC

TUNER

PHONO

AWZ

IC 2
0502
0505
IC 1
0503

VR1

VOLUME

LOUDNESS

ADPT/TAPE2

01

A

B

C

D

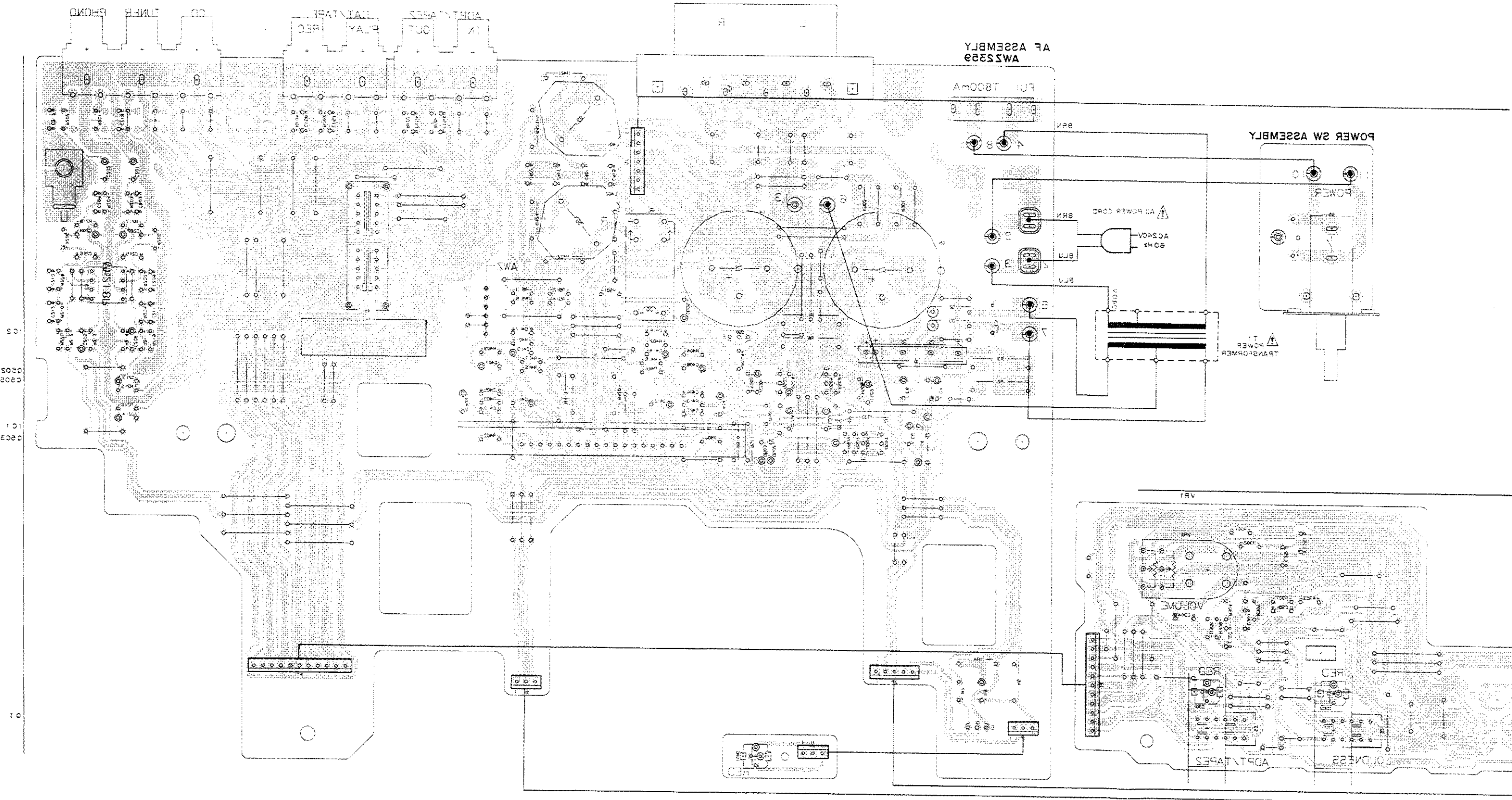
4 5 6 7 8 9

A

B

C

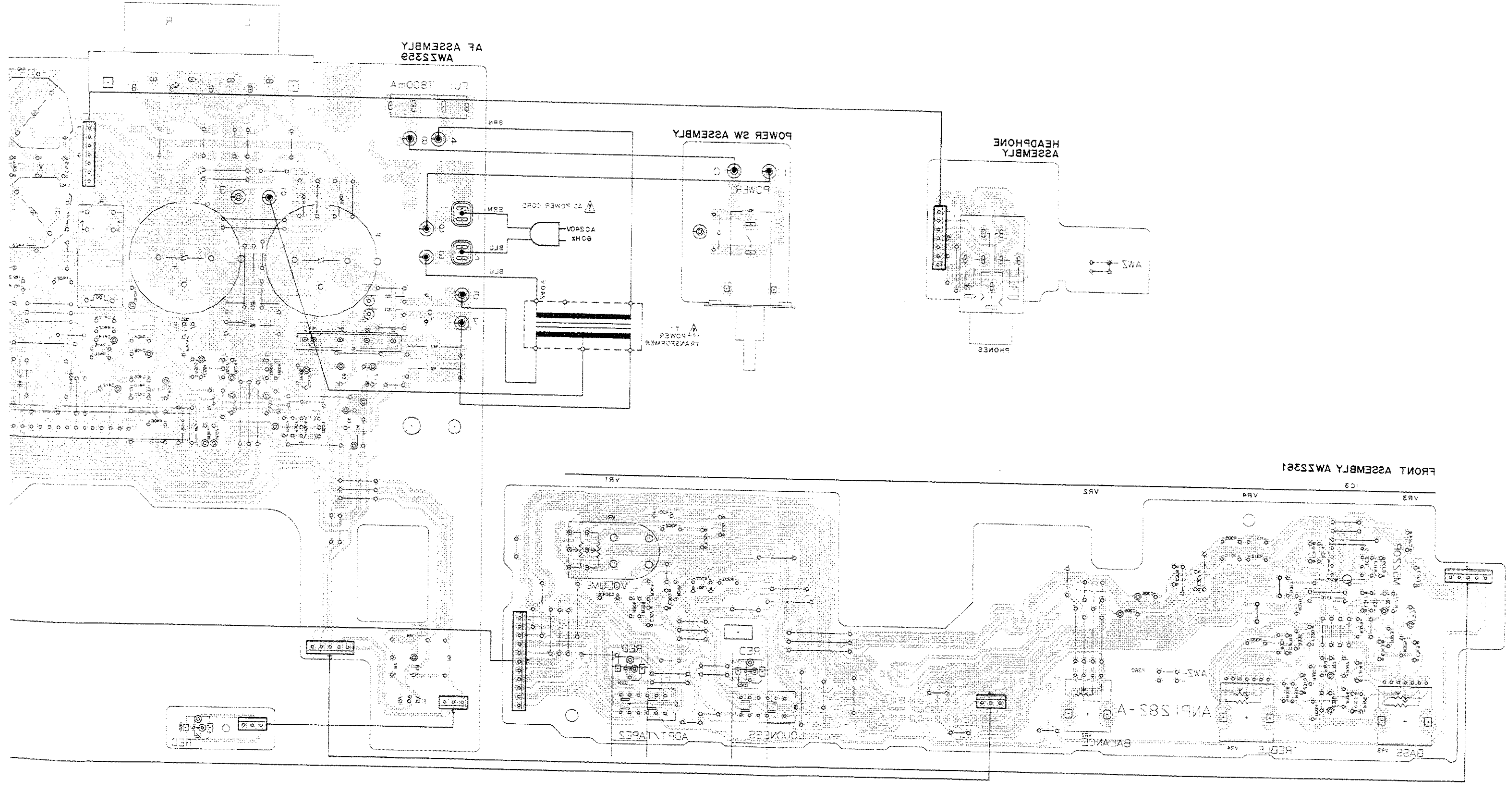
D



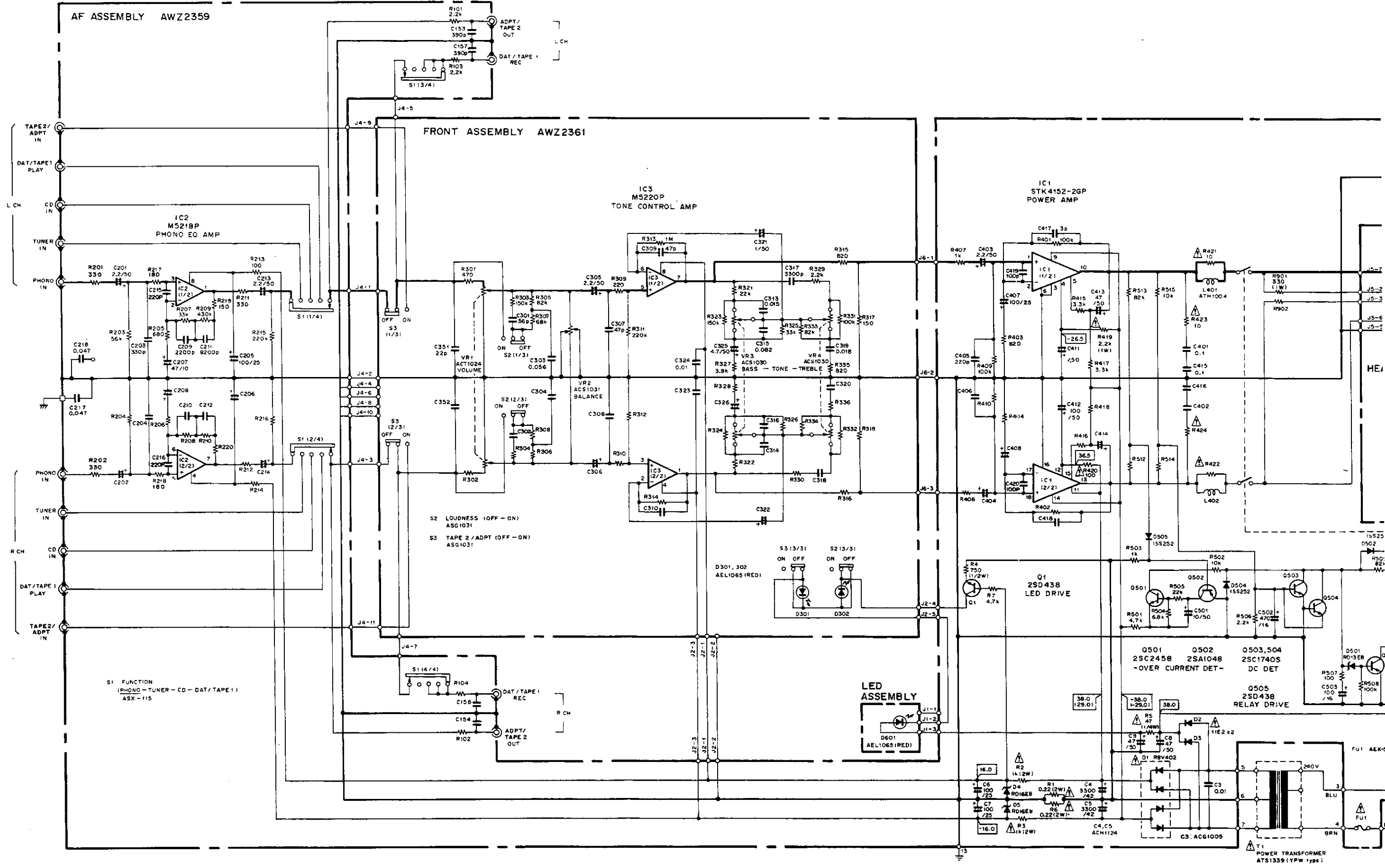
4 5 6 7 8 9

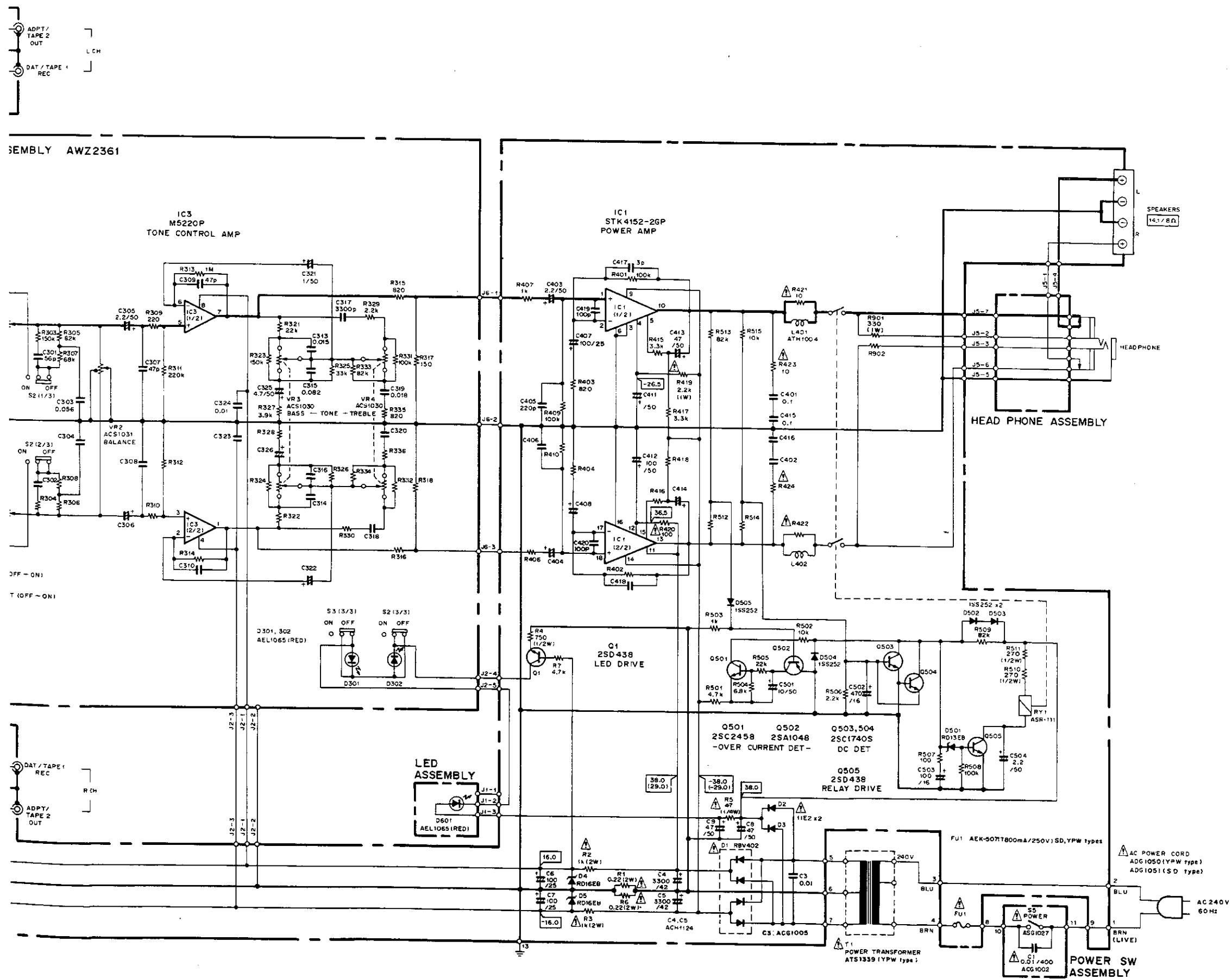
3.3 PCB CONNECTIONS DIAGRAM OF A-101

• View from soldering side



3.4 SCHEMATIC DIAGRAM OF A-101





1. RESISTORS:
Indicated in Ω, 2W, 1/2W, 1/8W, ±5% tolerance unless otherwise noted k; kΩ, M; MΩ, (F); ±1%, (G); ±2%, (K); ±10%, (M); ±20% tolerance.
2. CAPACITORS:
Indicated in capacity (μF)/voltage (V) unless otherwise noted p; pF. Indication without voltage is 50V except electrolytic capacitor.
3. VOLTAGE CURRENT:
 - : Signal voltage at (25W + 25W, 8Ω) output (1kHz).
 - : DC voltage (V) at no input signal
 - Value in () is DC voltage at rated power.
4. OTHERS:
 - : Signal route.
 - ⊗: Adjusting point.
5. SWITCHES (Underline indicates switch position)
 S1: FUNCTION (PHONO-TUNER-CD-DAT/TAPE1)
 S2: LOUDNESS (ON-OFF)
 S3: ADPT/TAPE2 (ON-OFF)
 S5: POWER (ON-OFF)

This is the basic schematic diagram, but the actual circuit may vary due to improvements in design.

4. PCB PARTS LIST

4.1 PCB PARTS LIST OF A-201

NOTES:

- Parts marked by "NSP" are generally unavailable because they are not in our Master Spare Parts List.
- Parts marked by "⊙" are not always kept in stock. Their delivery time may be longer than usual or they may be unavailable.
- The Δ mark found on some component parts indicates the importance of the safety factor of the part. Therefore, when replacing, be sure to use parts of identical designation.
- When ordering resistors, first convert resistance values into code form as shown in the following examples.

Ex.1 When there are 2 effective digits (any digit apart from 0), such as 560 ohm and 47k ohm (tolerance is shown by J=5%, and K=10%)

560 Ω \rightarrow $56 \times 10^1 \rightarrow 561$ RD1/4PS $\boxed{5}\boxed{6}\boxed{1}\text{J}$
 47k Ω \rightarrow $47 \times 10^3 \rightarrow 473$ RD1/4PS $\boxed{4}\boxed{7}\boxed{3}\text{J}$
 0.5 Ω \rightarrow 0R5 RN2H $\boxed{0}\boxed{R}\boxed{5}\text{K}$
 1 Ω \rightarrow 010 RS1P $\boxed{0}\boxed{1}\boxed{0}\text{K}$

Ex.2 When there are 3 effective digits (such as in high precision metal film resistors).

5.62k Ω \rightarrow $562 \times 10^1 \rightarrow 5621$ RN1/4SR $\boxed{5}\boxed{6}\boxed{2}\boxed{1}\text{F}$

LIST OF ASSEMBLIES

| Mark | Description | Part No. |
|------|-------------------|----------|
| ⊙ | AF assembly | AWZ2356 |
| ⊙ | Front assembly | AWZ2360 |
| NSP | Power SW assembly | AWZ2362 |
| NSP | LED assembly | AWZ2363 |
| NSP | SP SW assembly | AWZ2364 |

AF assembly

SEMICONDUCTORS

| Mark | Description | Part No. |
|----------|-------------|--------------|
| | IC2 | M5218P |
| | IC1 | STK4181 - 5G |
| | Q502 | 2SA1048 |
| | Q503, Q504 | 2SC1740S |
| | Q501 | 2SC2240 |
| Δ | Q1, Q505 | 2SD438 |
| | D1 | RBV602 |
| | D501 | RD13EB |
| | D4, D5 | RD16EB |
| | D502 - D505 | 1SS252 |
| Δ | D2, D3 | 11E2 |

SWITCH AND RELAY

| Mark | Description | Part No. |
|------|------------------------|-----------|
| | RY1 Relay | ASR - 111 |
| | S1 Remote slide switch | ASX - 115 |

COILS

| Mark | Description | Part No. |
|------|---------------------------|-----------|
| | L951 - L954 AF choke coil | ATH - 133 |
| | L401, L402 AF choke coil | ATH1004 |

CAPACITORS

| Mark | Description | Part No. |
|------|--|--------------|
| | C4, C5 (6800 μ F/56V) | ACH1124 |
| | C417, C418 | CCDSL030C50 |
| | C409, C410 | CCDSL050C50 |
| | C419, C420 | CCDSL101J50 |
| | C405, C406 | CCDSL221J50 |
| | C501 | CEAS100M50 |
| | C205, C206, C407, C408 | CEXA101M25 |
| | C6, C7, C503 | CEAS101M25 |
| | C412 | CEAS101M50 |
| | C201, C202, C213, C214, C403, C404, C504, C505 | CEAS2R2M50 |
| | C411 | CEAS220M50 |
| | C207, C208, C413, C414 | CEXA470M50 |
| | C8, C9 | CEAS470M50 |
| | C502 | CEAS471M6 |
| | C203, C204 | CKDYB331K50 |
| | C151 - C162, C215, C216, C251, C252 | CKDYB391K50 |
| | C951 - C955 | CKDYB472K50 |
| | C217, C218 | CKDYF473Z50 |
| | C401, C402, C415, C416 | CQMA104J50 |
| | C209, C210 | CQMA222J50 |
| | C211, C212 | CQMA822K50 |
| | C3 | CQMXA104J100 |

RESISTORS

| Mark | Description | Part No. |
|----------|-----------------|------------------------------------|
| Δ | R1 | ACN - 146 |
| Δ | R419 | RS1LMF222J |
| Δ | R2, R3 | RS2LMF102J |
| Δ | R421 - R424 | RD1/4PMFL100J |
| | .R5 | RFA1/4PS331J |
| | R4, R510, R511 | RD1/2PMF $\square\square\square$ J |
| | Other resistors | RD1/8PM $\square\square\square$ J |

OTHERS

| Mark | Description | Part No. |
|------|---------------------|-----------|
| | Pin jack 4P | AKB1007 |
| | Pin jack 6P | AKB1008 |
| | Speaker terminal 8P | AKE - 111 |

Front assembly**SEMICONDUCTORS**

| Mark | Description | Part No. |
|------|-------------|----------|
| | IC3 | M5220P |
| | D301, D302 | AEL1065 |
| | D303 | AEL1084 |

SWITCHES

| Mark | Description | Part No. |
|------|--------------------|----------|
| | S4 Switch | ASG1030 |
| | S2, S3 Push switch | ASG1031 |

CAPACITORS

| Mark | Description | Part No. |
|------|------------------------|-------------|
| | C351, C352 | CCDSL220J50 |
| | C307 - C310 | CCDSL470J50 |
| | C301, C302 | CCDSL560J50 |
| | C321, C322 | CEAS010M50 |
| | C305, C306 | CEAS2R2M50 |
| | C311, C312, C325, C326 | CEAS4R7M50 |
| | C303, C304 | CFTXA563J50 |
| | C323, C324 | CKDYF103Z50 |
| | C313, C314 | CQMA153K50 |
| | C319, C320 | CQMA183K50 |
| | C317, C318 | CQMA332K50 |
| | C315, C316 | CQMA823K50 |

RESISTORS

| Mark | Description | Part No. |
|------|----------------------------|-------------------|
| | VR3, VR4 Variable resistor | ACS1030 |
| | VR2 Variable resistor | ACS1031 |
| | VR1 Variable resistor | ACT1024 |
| | Other resistors | RD 1/8 PM □ □ □ J |

Power SW assembly**SWITCH**

| Mark | Description | Part No. |
|------|------------------------|----------|
| △ | S5 Push switch (POWER) | ASG1027 |

CAPACITOR

| Mark | Description | Part No. |
|------|----------------------|----------|
| △ | C1 (0.01 μ F / 400V) | ACG1002 |

LED Assembly**SEMICONDUCTORS**

| Mark | Description | Part No. |
|------|-------------|----------|
| | D601 | AEL1065 |

SP SW Assembly**SWITCH**

| Mark | Description | Part No. |
|------|----------------|-----------|
| | S6 Push switch | SUL5LXBXS |

CPACITORS

| Mark | Description | Part No. |
|------|-------------|-------------|
| | C751, C752 | CKDYB392K50 |

RESISTORS

| Mark | Description | Part No. |
|------|-------------------------------|----------------------------------|
| △ | R701, R702 Other resistors | RS2LMF331J RD 1/8 PMF □ □ □ J |

OTHERS

| Mark | Description | Part No. |
|------|---------------|----------|
| | Jack (PHONES) | AKN1002 |

4.2 PCB PARTS LIST OF A-101

LIST OF ASSEMBLIES

| Mark | Description | Part No. |
|------|--------------------|----------|
| ⊙ | AF assembly | AWZ2359 |
| ⊙ | Front assembly | AWZ2361 |
| NSP | Power SW assembly | AWZ2362 |
| NSP | LED assembly | AWZ2363 |
| NSP | Headphone assembly | AWZ2367 |

AF assembly

SEMICONDUCTORS

| Mark | Description | Part No. |
|------|-------------|---------------|
| | IC2 | M5218P |
| | IC1 | STK4152 - 2GP |
| | Q502 | 2SA1048 |
| | Q503, Q504 | 2SC1740S |
| | Q501 | 2SC2458 |
| △ | Q1, Q505 | 2SD438 |
| | D1 | RBV402 |
| | D501 | RD13EB |
| | D4, D5 | RD16EB |
| | D502 - D505 | 1SS252 |
| △ | D2, D3 | 11E2 |

SWITCH AND RELAY

| Mark | Description | Part No. |
|------|------------------------|-----------|
| | RY1 Relay | ASR - 111 |
| | S1 Remote slide switch | ASX - 115 |

COILS

| Mark | Description | Part No. |
|------|--------------------------|----------|
| | L401, L402 AF choke coil | ATH1004 |

CAPACITORS

| Mark | Description | Part No. |
|------|--|-------------|
| | C4, C5 (3300 μ F/42V) | ACH1123 |
| | C417, C418 | CCDSL030C50 |
| | C419, C420 | CCDSL101J50 |
| | C215, C216, C405, C406 | CCDSL221J50 |
| | C501 | CEAS100M50 |
| | C407, C408 | CEAS101M10 |
| | C503 | CEAS101M16 |
| | C6, C7, C205, C206 | CEAS101M25 |
| | C412 | CEAS101M50 |
| | C201, C202, C213, C214, C403, C404, C504 | CEAS2R2M50 |
| | C207, C208 | CEAS470M10 |
| | C8, C9, C411, C413, C414 | CEAS470M50 |
| | C502 | CEAS471M6 |
| | C203, C204 | CKDYB331K50 |
| | C153, C154, C157, C158 | CKDYB391K50 |

| Mark | Description | Part No. |
|------|------------------------|-------------|
| | C217, C218 | CKDYF473Z50 |
| | C401, C402, C415, C416 | CQMA104J50 |
| | C209, C210 | CQMA222J50 |
| | C211, C212 | CQMA822K50 |
| | C3 | ACG1005 |

RESISTORS

| Mark | Description | Part No. |
|------|-----------------|---------------------------|
| △ | R421 - R424 | RD $\frac{1}{4}$ PMFL100J |
| △ | R420 | RFA $\frac{1}{4}$ PL101J |
| | R5 | RFA $\frac{1}{4}$ PS470J |
| △ | R419 | RS1LMF222J |
| △ | R1, R6 | RS2LMFR22J |
| | R901, R902 | RS1LMF331J |
| △ | R2, R3 | RS2LMF102J |
| | R4, R510, R511 | RD $\frac{1}{2}$ PMF□□□J |
| | Other resistors | RD $\frac{1}{8}$ PM□□□J |

OTHERS

| Mark | Description | Part No. |
|------|---------------------|-----------|
| | Pin jack 4P | AKB1007 |
| | Pin jack 6P | AKB1008 |
| | Speaker terminal 4P | AKE - 109 |

Front assembly

SEMICONDUCTORS

| Mark | Description | Part No. |
|------|-------------|----------|
| | IC3 | M5220P |
| | D301, D302 | AEL1065 |

SWITCHES

| Mark | Description | Part No. |
|------|--------------------|----------|
| | S2, S3 Push switch | ASG1031 |

CAPACITORS

| Mark | Description | Part No. |
|------|-------------|-------------|
| | C351, C352 | CCDSL220J50 |
| | C307 - C310 | CCDSL470J50 |
| | C301, C302 | CCDSL560J50 |
| | C321, C322 | CEAS010M50 |
| | C305, C306 | CEAS2R2M50 |
| | C325, C326 | CEAS4R7M50 |
| | C303, C304 | CFTXA563J50 |
| | C323, C324 | CKDYF103Z50 |
| | C313, C314 | CQMA153K50 |
| | C319, C320 | CQMA183K50 |
| | C317, C318 | CQMA332K50 |
| | C315, C316 | CQMA823K50 |

RESISTORS

| <u>Mark</u> | <u>Description</u> | <u>Part No.</u> |
|-------------|----------------------------|-------------------|
| | VR3, VR4 Variable resistor | ACS1030 |
| | VR2 Variable resistor | ACS1031 |
| | VR1 Variable resistor | ACT1024 |
| | Other resistor | RD 1/8 PM □ □ □ J |

Power SW Assembly

SWITCH

| <u>Mark</u> | <u>Description</u> | <u>Part No.</u> |
|-------------|------------------------|-----------------|
| △ | S5 Push switch (POWER) | ASG1027 |

CAPACITOR

| <u>Mark</u> | <u>Description</u> | <u>Part No.</u> |
|-------------|----------------------|-----------------|
| △ | C1 (0.01 μ F / 400V) | ACG1002 |

LED Assembly

SEMICONDUCTORS

| <u>Mark</u> | <u>Description</u> | <u>Part No.</u> |
|-------------|--------------------|-----------------|
| | D601 | AEL1065 |

Headphone Assembly

OTHER

| <u>Mark</u> | <u>Description</u> | <u>Part No.</u> |
|-------------|--------------------|-----------------|
| | Jack (PHONES) | AKN1010 |

5. FOR A-201/HE, HB AND SD TYPES

CONTRAST OF MISCELLANEOUS PARTS

NOTES:

- Parts marked by "NSP" are generally unavailable because they are not in our Master Spare Parts List.
- The Δ mark found on some component parts indicates the importance of the safety factor of the part. Therefore, when replacing, be sure to use parts of identical designation.
- Parts marked by "⊙" are not always kept in stock. Their delivery time may be longer than usual or they may be unavailable.

A-201/HE, HB, SD and A-201/HEWZ have the same construction except for the following:

| Mark | Symbol & Description | Part No. | | | | Remarks |
|----------|---|-----------------|---------------|---------------|---------------|-------------------------------|
| | | A-201/HEWZ type | A-201/HE type | A-201/HB type | A-201/SD type | |
| ⊙ | AF assembly | AWZ2356 | AWZ2357 | AWZ2357 | AWZ2460 | |
| NSP | SP SW assembly | AWZ2364 | AWZ2365 | AWZ2365 | AWZ2365 | |
| Δ | AC power cord | ADG1049 | ADG1049 | ADG1087 | ADG1051 | |
| NSP | Name sticker | AAL1947 | AAL1948 | AAL1949 | AAL1950 | |
| | Operating instructions (German) | ARC1354 | | | | |
| | Operating instructions (English/French/German/Italian/Dutch/Swedish/Spanish/Portuguese) | | ARE1241 | | | |
| | Operating instructions (English) | | | ARB1372 | ARB1372 | |
| | Operating instructions (Spanish) | | | | ARC1355 | |
| Δ | FU2 Fuse (1.25A/250V) | | | | AEK - 509 | |
| Δ | 3P AC outlet | | | | AKP - 515 | (Rear panel) |
| Δ | S7 Line voltage selector (AC110/120 - 127/220/240V) | | | | AKX - 507 | (Rear panel) |
| Δ | Insulator assembly | AMR2140 | AMR2140 | AMR2140 | AMR2141 | |
| Δ | Power transformer (AC220 - 230/240V) | ATS1338 | ATS1338 | ATS1338 | | |
| Δ | Power transformer (AC110/120 - 127/220/240V) | | | | ATS1190 | |
| NSP | Rear panel | ANC1365 | ANC1365 | ANC1365 | ANC1715 | |
| | R10 Resistor | RD1/4PMF4R7J | | | | (Power transformer ↔ chassis) |

AF ASSEMBLY

AWZ2357, AWZ2460 and AWZ2356 have the same construction except for the following:

| Mark | Symbol & Description | Part No. | | | Remarks |
|----------|--|--------------|-------------|-------------|---------|
| | | AWZ2356 | AWZ2357 | AWZ2460 | |
| ⊙ | C3 | CQMXA104J100 | ACG1005 | ACG1005 | |
| NSP | C151, 152, 155, 156, 159-162, 251, 252 | CKDYB391K50 | | | |
| Δ | C215, 216 | CKDYB391K50 | CCDSL221J50 | CCDSL221J50 | |
| NSP | C409, 410 | CCDSL050C50 | CCDSL020C50 | CCDSL020C50 | |
| | C419, 420 | CCDSL101J50 | CCDSL151C50 | CCDSL151J50 | |
| | C951-955 | CKDYB472K50 | | | |
| | L951-954 | ATH-133 | | | |
| | R151-158 | RD1/8PM102J | | | |
| | R201, 202 | RD1/8PM152J | RD1/8PM331J | RD1/8PM331J | |
| | R217, 218 | RD1/8PM221J | RD1/8PM181J | RD1/8PM181J | |

NOTE : For schematic diagram and PCB connections diagram, refer to pages 6 - 11, 30.

SP SW ASSEMBLY

AWZ2365 and AWZ2364 have the same construction except for the following:

| Mark | Symbol & Description | Part No. | | Remarks |
|------|------------------------|-----------------------------|----------------|---------|
| | | AWZ2364 | AWZ2365 | |
| | C751, 752 R751, 752 | CKDYB392K50 RD1/2PMF681J | | |

6. FOR A-101/SD TYPE

CONTRAST OF MISCELLANEOUS PARTS

NOTES:

- Parts marked by "NSP" are generally unavailable because they are not in our Master Spare Parts List.
- The Δ mark found on some component parts indicates the importance of the safety factor of the part. Therefore, when replacing, be sure to use parts of identical designation.
- Parts marked by "⊙" are not always kept in stock. Their delivery time may be longer than usual or they may be unavailable.

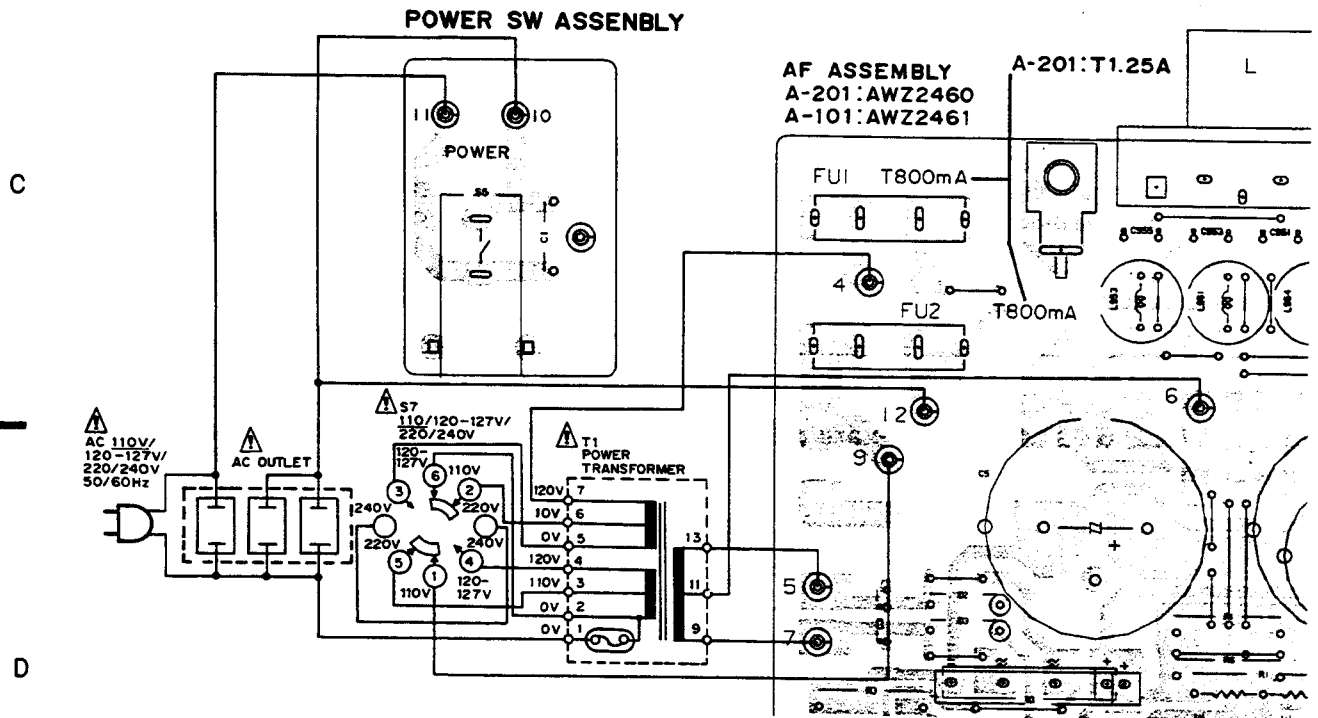
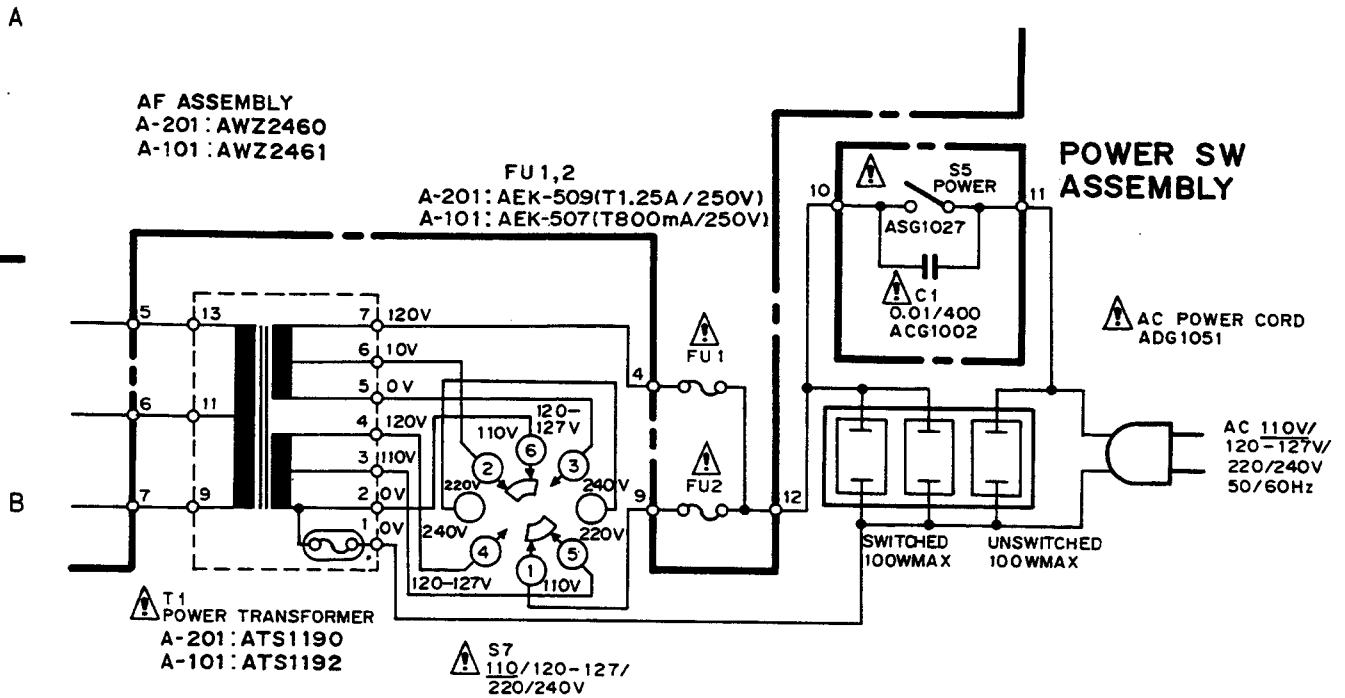
A-101/SD and A-101/YPW have the same construction except for the following:

| Mark | Symbol & Description | Part No. | | Remarks |
|----------|--|----------------|---------------|--------------|
| | | A-101/YPW type | A-101/SD type | |
| ⊙ | AF assembly | AWZ2359 | AWZ2461 | (Rear panel) |
| Δ | AC power cord | ADG1050 | ADG1051 | |
| Δ | Power transformer (AC240V) | ATS1339 | | |
| Δ | Power transformer (AC110/120-127/220/240V) | | ATS1192 | |
| Δ | 3P AC outlet | | AKP-515 | |
| Δ | FU2 Fuse (T800mA/250V) | | AEK-507 | |
| Δ | S7 Line voltage selector (AC110/120-127/220/240V) | | AKX-507 | |
| | Operating instructions (Spanish) | | ARC1355 | |
| NSP | Name sticker | AAL1952 | AAL1951 | |
| NSP | Rear panel | ANC1363 | ANC1716 | |

AF ASSEMBLY

Although AWZ2461 and AWZ2359 are different in part number, they have the same service parts.

SCHEMATIC DIAGRAM AND P.C.BOARD PATTERN For A-201/SD and A-101/SD types



7. SPECIFICATIONS

[A-201]

Amplifier Section

| | |
|--|--------------|
| Continuous power output (both channels driven at 20 Hz to 20 kHz)** | |
| T.H.D. 0.07 %, 8 Ω | 35 W + 35 W* |
| DIN Continuous power output (both channels driven at 1 kHz) | |
| T.H.D. 1.0 %, 8 Ω | 40 W + 40 W |
| T.H.D. 1.0 %, 4 Ω | 50 W + 50 W |
| Dynamic power output (E.I.A test signal) | |
| 4 Ω | 66 W |
| Total harmonic distortion** | |
| 20 Hz to 20 kHz, 35 W, 8 Ω | 0.07 %* |

* Power output specification is for when power supply is 230 V.

| | |
|--|---|
| Input sensitivity/impedance | |
| PHONO (MM) | 2.5 mV/50 k Ω |
| CD, TUNER, DAT/TAPE 1, ADPT/TAPE 2 | 150 mV/50 k Ω |
| PHONO overload level | |
| 1 kHz, T.H.D. 0.1 % (MM) | 150 mV |
| Output level/impedance | |
| TAPE REC, ADPT OUT | 150 mV/2.2 k Ω |
| Frequency response | |
| PHONO (MM) | 20 Hz to 20 kHz \pm 0.5 dB |
| CD, TUNER, DAT/TAPE 1, ADPT/TAPE 2 | 10 Hz to 50 kHz \pm $\frac{1}{3}$ dB* |
| Tone control (volume control set at -30 dB position) | |
| BASS | \pm 8 dB (100 Hz) |
| TREBLE | \pm 8 dB (10 kHz) |
| Loudness contour (volume control set at -30 dB position) | |
| | +6 dB (100 Hz)/+3 dB (10 kHz) |
| Signal-to-Noise ratio (IHF short circuit, A network) | |
| PHONO (MM, 5 mV input) | 77 dB* |
| CD, TUNER, DAT/TAPE 1, ADPT/TAPE 2 | 100 dB* |
| Signal-to-Noise ratio (DIN, continuous power/50 mW) | |
| PHONO (MM) | 67 dB/61 dB* |
| CD, TUNER, DAT/TAPE 1, ADPT/TAPE 2 | 83 dB/63 dB* |

Power Supply/Miscellaneous

| | |
|---|--------------------------------|
| Power requirements | a.c. 220 - 230 Volts, 50/60 Hz |
| Power consumption | 330W |
| Dimensions (including knobs and other protruding parts) | |
| | 420 (W) x 282 (D) x 103 (H) mm |
| Weight (without package) | 5.6 kg |

Accessories

| | |
|------------------------------|---|
| Operating instructions | 1 |
|------------------------------|---|

NOTE:

Specifications and design subject to possible modification without notice, due to improvements.

- * Measured with the DIRECT switch set to ON.
For ADPT/TAPE 2, however, measured with the DIRECT switch set to OFF and the tone and balance controls in center position.
- ** Measured by Audio Spectrum Analyzer.

[A-101]

Amplifier Section

| | |
|---|-------------------------------|
| Continuous power output (both channels driven at 30 Hz to 20 kHz)** | |
| T.H.D. 0.2 %, 8 Ω | 25 W + 25 W* |
| DIN Continuous power output (both channels driven at 1 kHz) | |
| T.H.D. 1.0 %, 8 Ω | 30 W + 30 W |
| Total harmonic distortion** | |
| 30 Hz to 20 kHz, 25 W, 8 Ω | 0.2 %* |
| Input sensitivity/impedance | |
| PHONO (MM) | 2.5 mV/50 k Ω |
| CD, TUNER, DAT/TAPE 1, ADPT/TAPE 2 | 150 mV/50 k Ω |
| PHONO overload level | |
| 1 kHz, T.H.D. 0.1 % (MM) | 150 mV |
| Output level/impedance | |
| TAPE REC, ADAPTOR OUTPUT | 150 mV/2.2 k Ω |
| Frequency response | |
| PHONO (MM), 30 Hz to 20 kHz | \pm 0.5 dB |
| CD, TUNER, DAT/TAPE 1, ADPT/TAPE 2, 10 Hz to 50 kHz | |
| | \pm $\frac{1}{3}$ dB* |
| Tone control (volume control set at -30 dB position) | |
| BASS | \pm 8 dB (100 Hz) |
| TREBLE | \pm 8 dB (10 kHz) |
| Loudness control (volume control set at -30 dB position) | |
| | +6 dB (100 Hz)/+3 dB (10 kHz) |
| Signal-to-Noise ratio (IHF short circuit, A network) | |
| PHONO (MM, 5 mV input) | 77 dB* |
| CD, TUNER, DAT/TAPE 1, ADPT/TAPE 2 | 95 dB* |
| Signal-to-Noise ratio (DIN, continuous power/50 mW) | |
| PHONO (MM) | 63 dB/60 dB* |
| CD, TUNER, DAT/TAPE 1, ADPT/TAPE 2 | 81 dB/62 dB* |

Power Supply/Miscellaneous

| | |
|---|---|
| Power requirements | |
| Australian model | a.c. 240 V, 50/60 Hz |
| Other destination models | |
| | AC110V/120 - 127V/220V/240V (switchable) 50/60 Hz |
| Power Construction | 210 W |
| Dimensions (including knobs and other protruding parts) | |
| Australian and other destination models | |
| | 420 (W) x 282 (D) x 98 (H) mm |
| Weight (without package) | 4.6 kg |

Accessories

| | |
|------------------------------|---|
| Operating instructions | 1 |
|------------------------------|---|

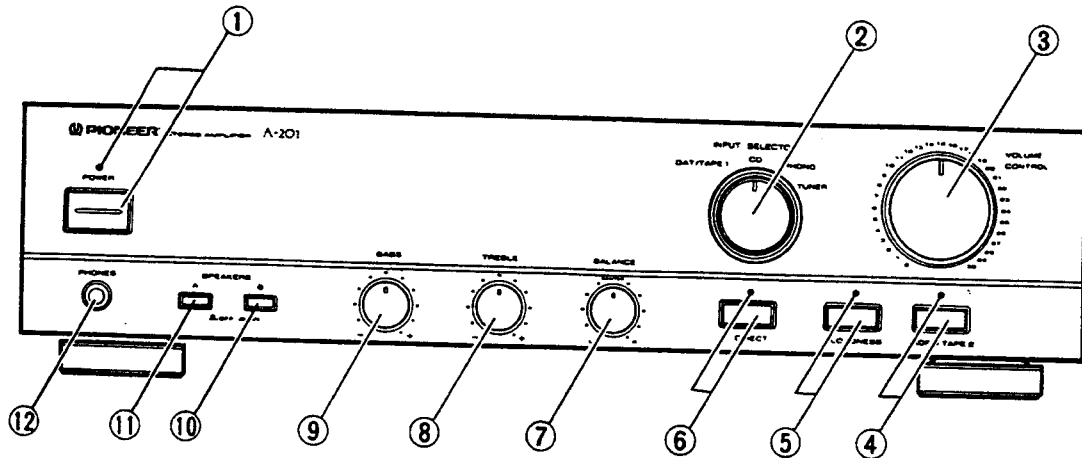
NOTE:

Specifications and design subject to possible modification without notice, due to improvements.

- * Measured with tone and balance controls set to center position.
- ** Measured by Audio Spectrum Analyzer.

8. PANEL FACILITIES

The illustration shows model A-201.
Model A-101 is not equipped with ⑥, ⑩ and ⑪.



① POWER switch/indicator

Press to turn power to the unit ON and OFF.

ON:

Indicator lights.

OFF:

Indicator goes out.

② INPUT SELECTOR switch

Use to select the playback source.

TUNER:

For AM or FM broadcast reception with a tuner.

PHONO:

For record playback with a turntable.

CD:

For compact disc playback with a CD player.

DAT/TAPE 1:

For playback with a cassette deck or digital audio tape deck connected to the DAT/TAPE 1 terminals.

③ VOLUME CONTROL

Use to adjust the volume level.

④ ADPT/TAPE 2 monitor switch/indicator

Use when there is an adaptor component (graphic equalizer, etc.) or cassette deck connected to the ADPT/TAPE 2 terminals.

OFF:

Indicator goes out when not in use.

ON:

Indicator lights when using the adaptor component or listening to the cassette deck.

NOTE:

- When no connections are made to the ADPT/TAPE 2 terminals, or when they are not in use, be sure to set to this switch to the OFF position. (No sound will be heard if it is set to ON position)
- When the DIRECT switch is set to ON, the input to be reproduced is always selected with the INPUT SELECTOR, regardless of whether the ADPT/TAPE 2 indicator lights or not. Furthermore, when the ADPT/TAPE 2 indicator is ON, signals input through ADPT/TAPE 2 are output at DAT/TAPE 1 REC OUT. (A-201 only)

⑤ LOUDNESS switch/indicator

Use when listening at low volume levels.

ON:

The indicator lights: Boosts low and high frequencies to give added punch to playback even at low volume levels.

OFF:

The indicator goes off: Should normally be left in this position.

**⑥ DIRECT switch/indicator
(A-201 only)**

Use this switch when you do not wish to pass the output from input terminal equipment through the various frequency adjusting circuits (BASS, TREBLE, BALANCE.)

ON:

The indicator lights: The signals input through the input terminals are reproduced without passing through the various frequency adjusting circuits. This results in flat, pure sound which is a more faithful reproduction of the input source.

OFF:

The indicator goes out: The signal passes through the various frequency adjusting circuits.

⑦ BALANCE control

Should normally be left in the center position. Adjust the balance if the sound is louder from one of the speakers. If the right side is louder, turn toward the L (left) position and if the left side is louder, turn toward the R (right) position.

NOTE:

This control does not operate when the DIRECT switch is in the ON position. (A-201 only)

⑧ TREBLE tone control

Use to adjust the high-frequency tone. The center position is the flat (normal) position. When turned to the right, high-frequency tone is emphasized; when turned to the left, high-frequency tone is de-emphasized.

NOTE:

This control does not operate when the DIRECT switch is in the ON position. (A-201 only)

⑨ BASS tone control


Use to adjust the low-frequency tone. The center position is the flat (normal) position. When turned to the right, low-frequency tone is emphasized; when turned to the left, low-frequency tone is de-emphasized.

NOTE:


This control does not operate when the DIRECT switch is in the ON position. (A-201 only)

**⑩ SPEAKERS B selector switch
(A-201 only)**

Use this switch to listen to the speaker systems connected to the SPEAKERS B terminals.

ON ():


Depressed position: Sound is heard from the speaker systems.

OFF ():


Released position: No sound is heard from the speaker systems. Set to this position when listening with headphones.

**⑪ SPEAKERS A selector switch
(A-201 only)**

Use this switch to listen to the speaker systems connected to the SPEAKERS A terminals.

ON ():

Depressed position: Sound is heard from the speaker systems.

OFF ():

Released position: No sound is heard from the speaker systems. Set to this position when listening with headphones.

⑫ PHONES jack

When using headphones, insert the plug into this jack. With model A-101 the output to the speakers is cut automatically when connecting headphones.