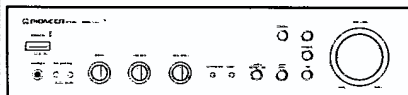


Service Manual

PIONEER®
The Art of Entertainment



The illustration shows model A-203.

ORDER NO.
ARP2852

STEREO AMPLIFIER

A-203

A-103

THIS MANUAL IS APPLICABLE TO THE FOLLOWING MODEL(S) AND TYPE(S).

Type	Model		Power Requirement	The voltage can be converted by the following method.
	A-203	A-103		
HEXJ	○	○	AC220—230V	AC240V, *
HBXJ	○	○	AC240V	AC220—230V, *
HEWZXJ	○	○	AC220—230V	AC240V, *
HLXJ	○	○	AC220—230V	AC240V, *
SDXJ	○	○	AC110V/120—127V/220V/240V	With the voltage selector
YPWXJ	—	○	AC240V	—

* : Alter the wiring of the Power-supply block at the primary winding of Power-transformer referring to the "Line Voltage Selection" described in Service Manual.

- For the following: A-203/HBXJ, HEWZXJ, HLXJ and SDXJ; A-103/HBXJ, HEWZXJ, HLXJ, SDXJ and YPWXJ, refer to page 22.

CONTENTS

1. DISASSEMBLY	2
2. EXPLODED VIEWS, PACKING AND PARTS LIST ...	3
3. SCHEMATIC DIAGRAM	6
4. PCB CONNECTION DIAGRAMS	9
5. BLOCK DIAGRAM	17
6. PCB PARTS LIST	18
7. IC INFORMATION	21
8. FOR A-203/HBXJ, HEWZXJ, HLXJ SDXJ, A-103/HBXJ, HEWZXJ, HLXJ, SDXJ AND YPWXJ ...	22
9. PANEL FACILITIES	25
10. SPECIFICATIONS	28

PIONEER ELECTRONIC CORPORATION 4-1, Meguro 1-Chome, Meguro-ku, Tokyo 153, Japan
PIONEER ELECTRONICS SERVICE INC. P.O. Box 1760, Long Beach, California 90801 U.S.A.
PIONEER ELECTRONICS OF CANADA, INC. 300 Allstate Parkway Markham, Ontario L3R 0P2 Canada
PIONEER ELECTRONIC [EUROPE] N.V. Haven 1087 Keetberglaan 1, 9120 Melsele, Belgium
PIONEER ELECTRONICS AUSTRALIA PTY. LTD. 178-184 Boundary Road, Braeside, Victoria 3195, Australia TEL: [03] 580-9911
 © **PIONEER ELECTRONIC CORPORATION 1994**

O-FFO APR. 1994 Printed in Japan

1. DISASSEMBLY

● CHECKING FOR POWER AMP ASSY

1. Remove the bonnet.
2. Remove the VOLUME knob and unscrew nut the ① (Fig. 1).
3. Unscrew the fastening screws ② of the front panel (2 upper and 5 lower screws.).
4. Unscrew the fastening screws ③ (1 screw) and ④ (2 screws) of the RADIATOR.
5. Lift up the RADIATOR (in the direction of the arrow ⑤) approximately 5mm, and remove it from the chassis hook.
6. Remove the lower hooks ⑥ of the front panel (2 places).
7. Slowly remove the front panel together with the RADIATOR. When doing this, be careful so that the flat cable ⑦ form CN 1 does not get caught.
8. When the VOLUME knob shaft ⑨ has been distanced from the front panel, lower the fins of the RADIATOR as shown in Fig. 2 and raise the shaft.

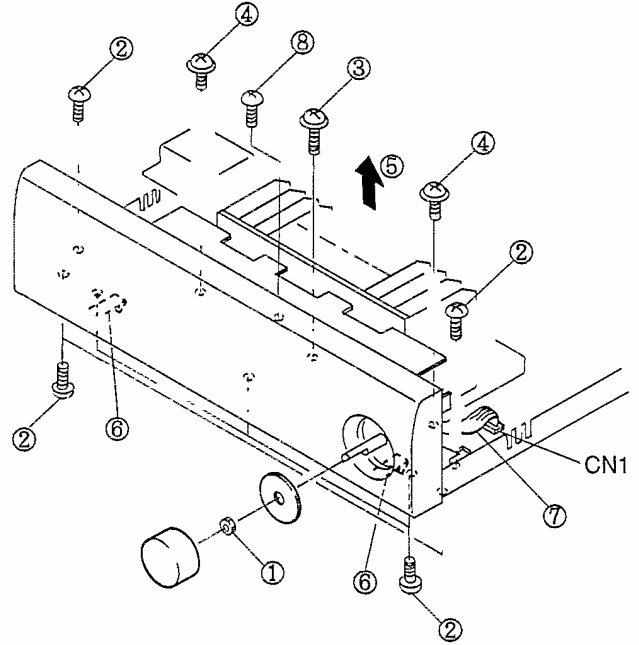


Fig. 1

● HOW TO REMOVE THE POWER AMP ASSY

1. Remove the fastening screw ③ of the RADIATOR (1 screw) and ④ (2 screws) and the center fastening screw ⑧ (1 screw) of the POWER AMP ASSY (Fig. 1).
2. Lift up the RADIATOR (in the direction of the arrow ⑤) approximately 5mm, and remove it from the chassis hook.
3. Pull the RADIATOR backward and remove the POWER AMP ASSY and RADIATOR together.

Note : The CONTROL ASSY of the front panel and the POWER AMP ASSY are connected only with connectors, and they can be easily removed by carrying out the above operations.

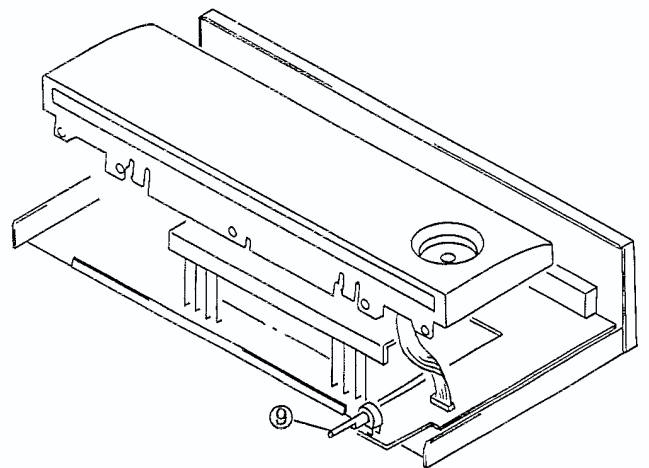
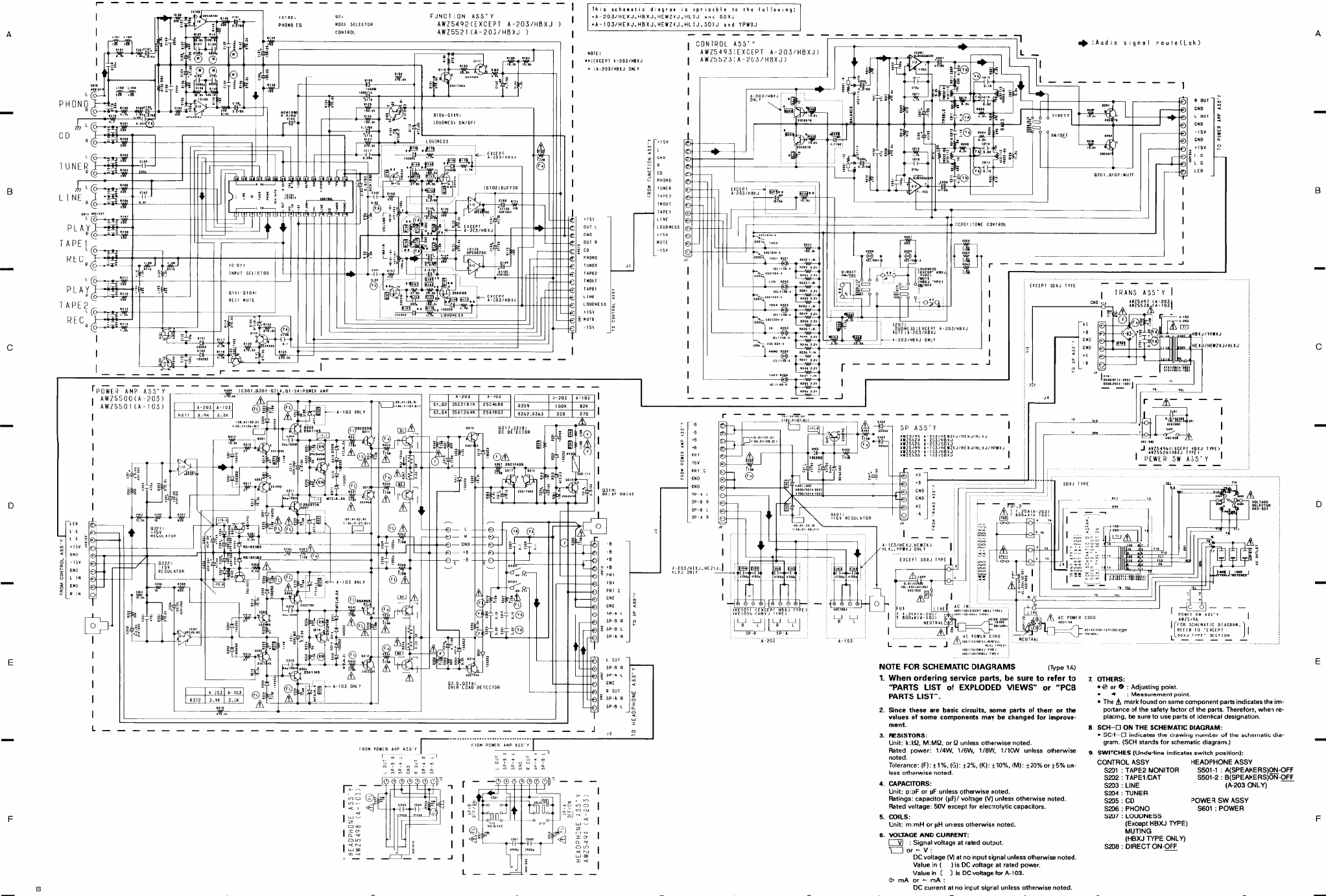


Fig.2

3. SCHEMATIC DIAGRAM



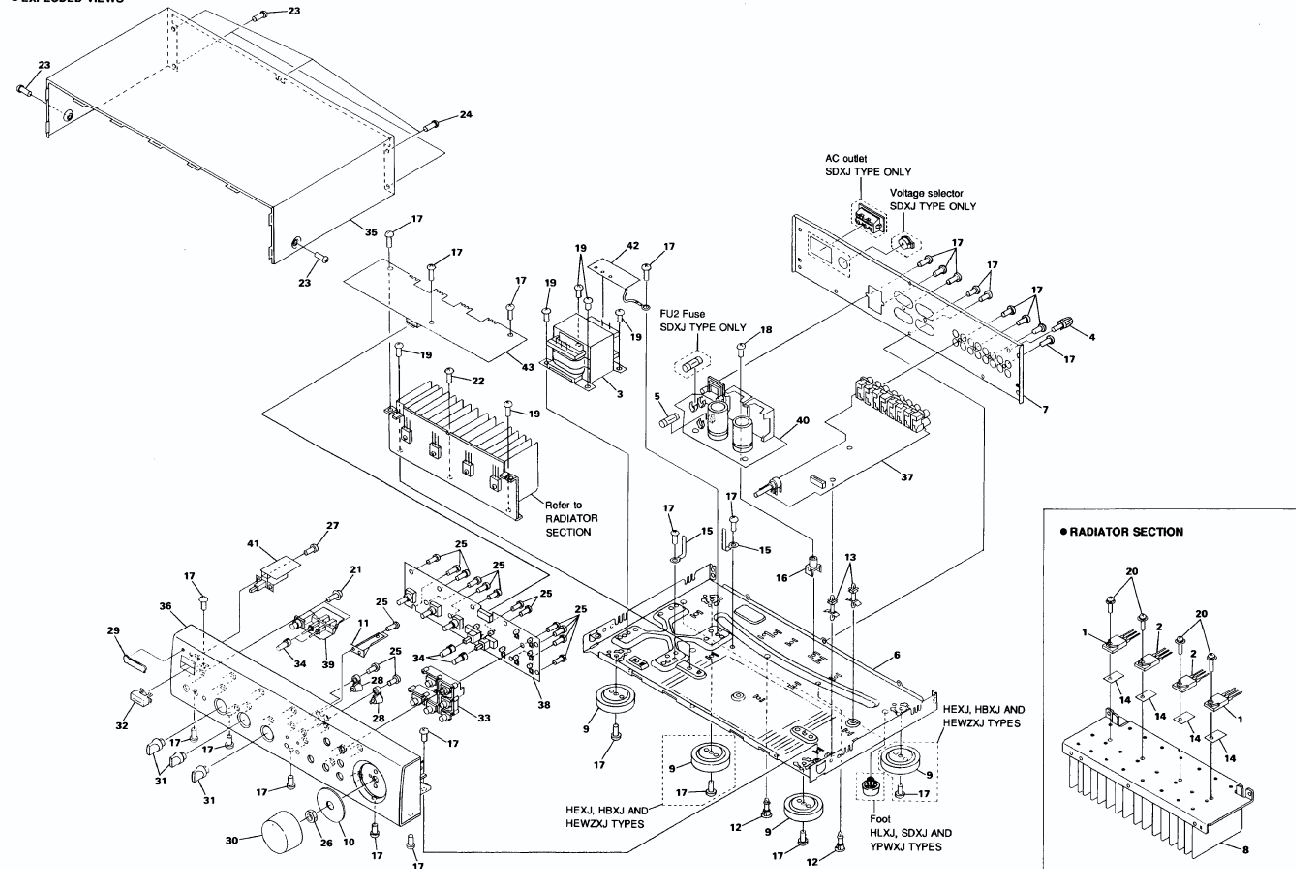
2. EXPLODED VIEWS, PACKING AND PARTS LIST

NOTES:

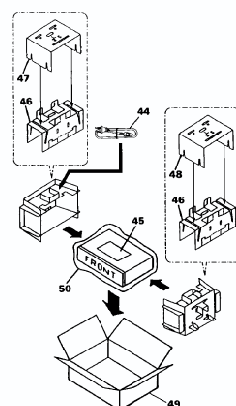
- Parts marked by "NSP" are generally unavailable because they are not in our Master Spare Parts List.
- ▲ The Δ mark found on some component parts indicates the importance of the safety factor of the part. Therefore, when replacing, be sure to use parts of identical designation.
- Parts marked by "●" are not always kept in stock. Their delivery time may be longer than usual or they may be unavailable.

Mark No.	Description	Parts No.	Mark No.	Description	Parts No.
Δ 1	03.04 TRANSISTOR (For A-203)	2SA1264N	38	CONTROL ASSY	AWZ5493
Δ 1	03.04 TRANSISTOR (For A-103)	2SA1803	39	HEADPHONE ASSY (For A-203)	AWZ5494
Δ 2	Q1,Q2 TRANSISTOR (For A-203)	2SC3181N	39	HEADPHONE ASSY (For A-103)	AWZ5498
Δ 2	Q1,Q2 TRANSISTOR (For A-103)	2SC4688	40	SP ASSY (For A-203)	AWZ5495
Δ 3	T1 POWER TRANSFORMER (For A-203)	ATS1538	40	SP ASSY (For A-103)	AWZ5499
Δ 3	T1 POWER TRANSFORMER (For A-103)	ATS1540	41	POWER SW ASSY	AWZ5496
D 4	TERMINAL SCREW	AKE-031	42	TRANS ASSY (For A-203)	AWZ5497
Δ 5	FU1 FUSE (1.25A)	REK1073	42	TRANS ASSY (For A-103)	AWZ5538
Δ 5	FU1 FUSE (400mA)	REK1021	43	POWER AMP ASSY (For A-203)	AWZ5500
NSP 6	CHASSIS MFT	ANA1278	43	POWER AMP ASSY (For A-103)	AWZ5501
NSP 7	REAR PANEL (For A-203)	ANC2173	Δ 44	AC POWER CORD	ADG1154
NSP 8	RADIATOR (For A-203)	ANH1484	45	OPER. INSTRUCTIONS	AEE1302
NSP 8	RADIATOR (For A-103)	ANH1485	46	PAPER PROTECTOR A	AHA1660
9	INSULATOR	PNW1912	47	PAPER PROTECTOR B	AHA1661
10	RING(MET)	ANG1917	48	PAPER PROTECTOR C	AHA1662
11	PCB HOLDER(MET)	ANG1918	49	PACKING CASE (For A-203)	AHD2672
12	PCB SPACER(PLS)	AEC1566	49	PACKING CASE (For A-103)	AHD2673
13	PCB SPACER(PLS)	AEC1567	50	PACKING SHEET	AHG1212
14	SHEET (A-203 only)	AEE10-4			
15	BINDER	AEP-215			
16	PCB MOLD(PF)	AMR2533			
17	SCREW	ABA-298			
18	SCREW	ABA1018			
19	SCREW	ABA1027			
20	SCREW (STEEL)	ABA1082			
21	SCREW (STEEL)	ABA1095			
22	SCREW (STEEL)	ABA1193			
23	SCREW	BBT30N80FZK			
24	SCREW	BCZ30P080FZK			
25	SCREW	BPZ20P080FMC			
26	NU1	NK1091C			
27	SCREW	VPZ30P100FMC			
28	LED LENS	AAK2552			
29	NAME PLATE	PAM1608			
30	ROUND KNOB L (PLS)	AA81340			
31	ROUND KNOB S (PLS)	AA82221			
32	POWER BUTTON	AA82539			
33	FUNCTION BUTTON	AA82540			
34	PUSH BUTTON (PLS)	AA84645			
35	BONNET CASE	ANE1464			
36	FRONT PANEL (For A-203)	AMB2231			
36	FRONT PANEL (For A-103)	AMB2232			
37	FUNCTION ASSY	AWZ5492			

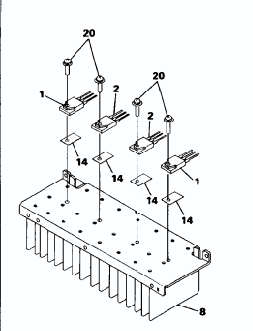
● EXPLODED VIEWS



● PACKING



● RADIATOR SECTION



NOTE: Screws adjacent to ∇ mark on product are used for disassembly.

4. PCB CONNECTION DIAGRAMS

● This diagram is viewed from the foil side.

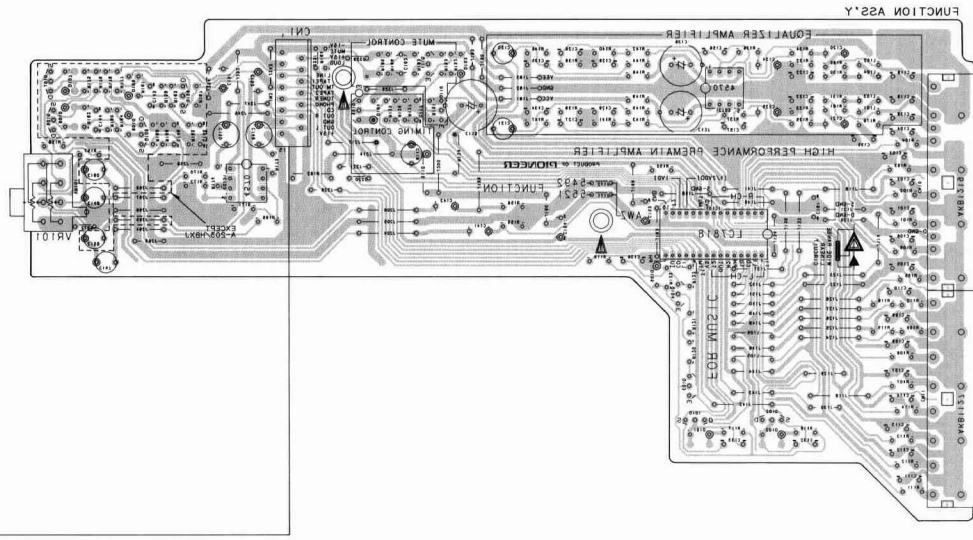
PCB-1

A

B

C

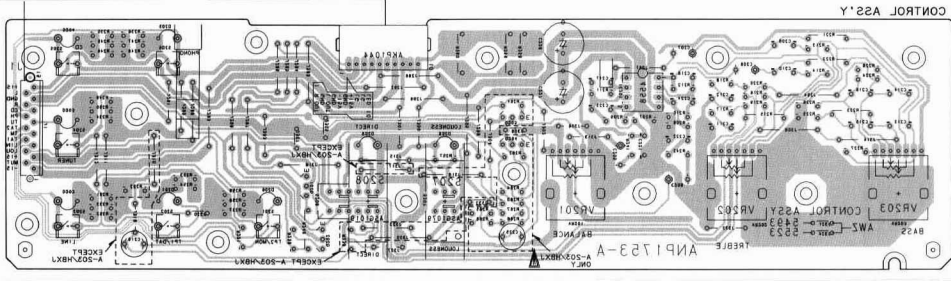
D



A
 1010
 1011
 1012
 1013
 1014
 1015
 1016
 1017
 1018
 1019
 1020

B
 1010
 1011
 1012
 1013
 1014
 1015
 1016
 1017
 1018
 1019
 1020

C
 1010
 1011
 1012
 1013
 1014
 1015
 1016
 1017
 1018
 1019
 1020

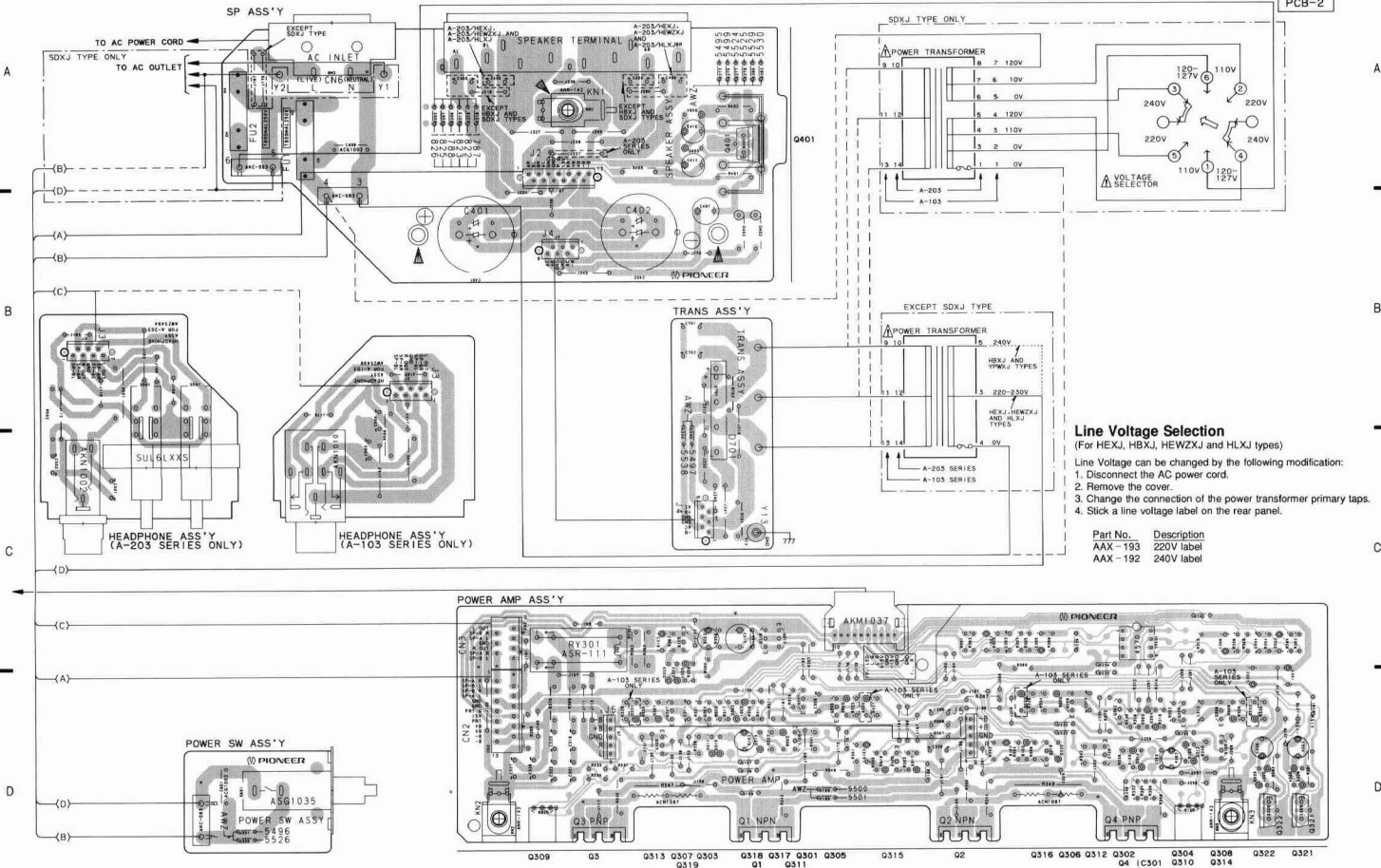


C

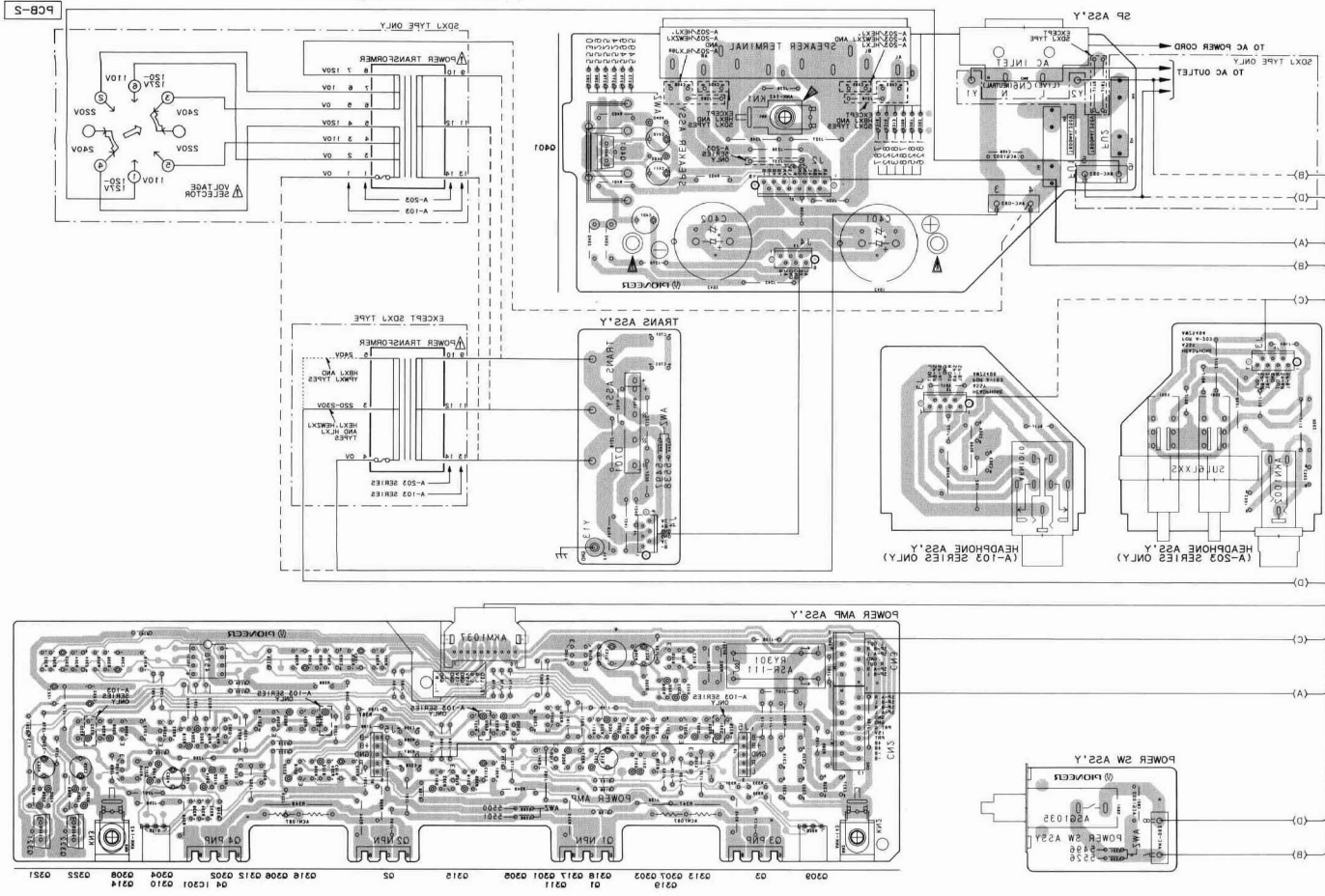
D

10

• This diagram is viewed from the mounted parts side.



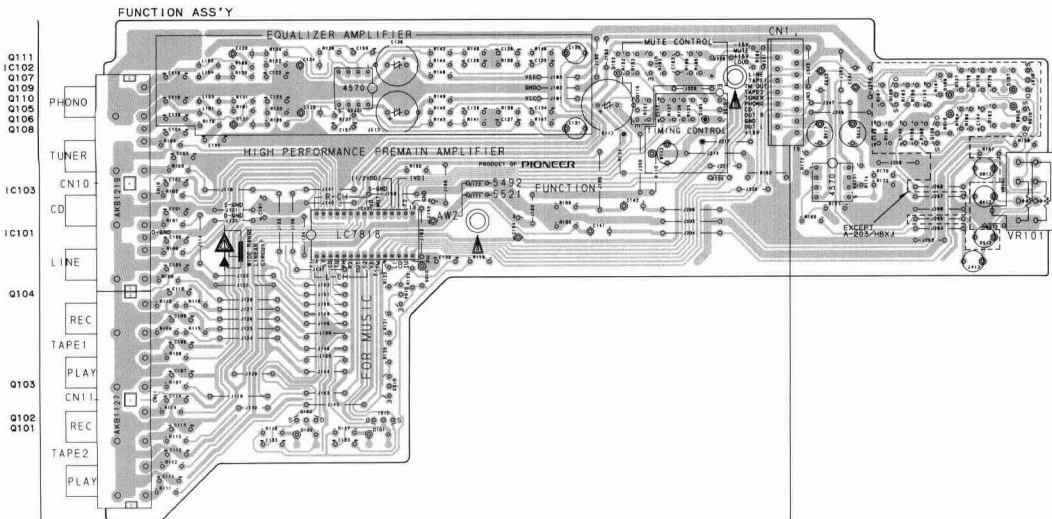
• This diagram is viewed from the foil side.



• This diagram is viewed from the mounted parts side.

PCB-1

A



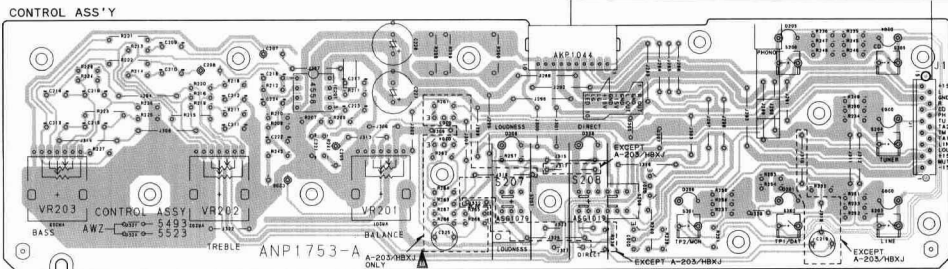
NOTE FOR PCB DIAGRAMS:

1. Part numbers in PCB diagrams match those in the schematic diagrams.
2. A comparison between the main parts of PCB and schematic diagrams is shown below.

Symbol in PCB Diagrams	Symbol in Schematic Diagrams	Part Name
<p>Q504</p>	<p>Q504</p>	Transistor
<p>D203</p> <p>D203</p>	<p>D203</p>	Diode
<p>C513</p> <p>C513</p>	<p>C513</p>	Capacitor (Polarized)

3. The transistor terminal marked with E or C shows the emitter.
4. The diode terminal marked with C or L shows cathode side.
5. The capacitor terminal marked with C or L shows negative terminal.

C



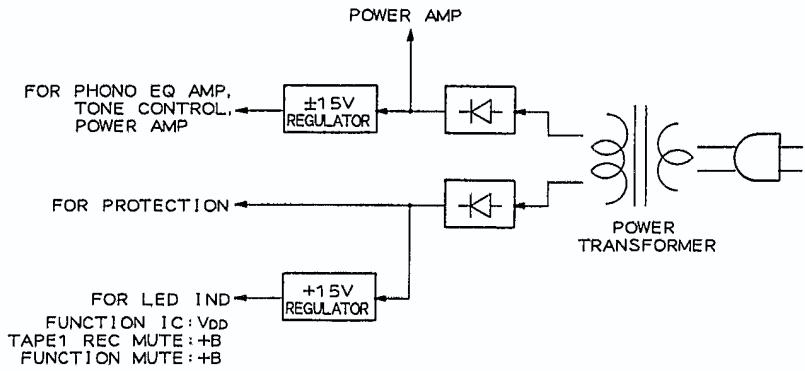
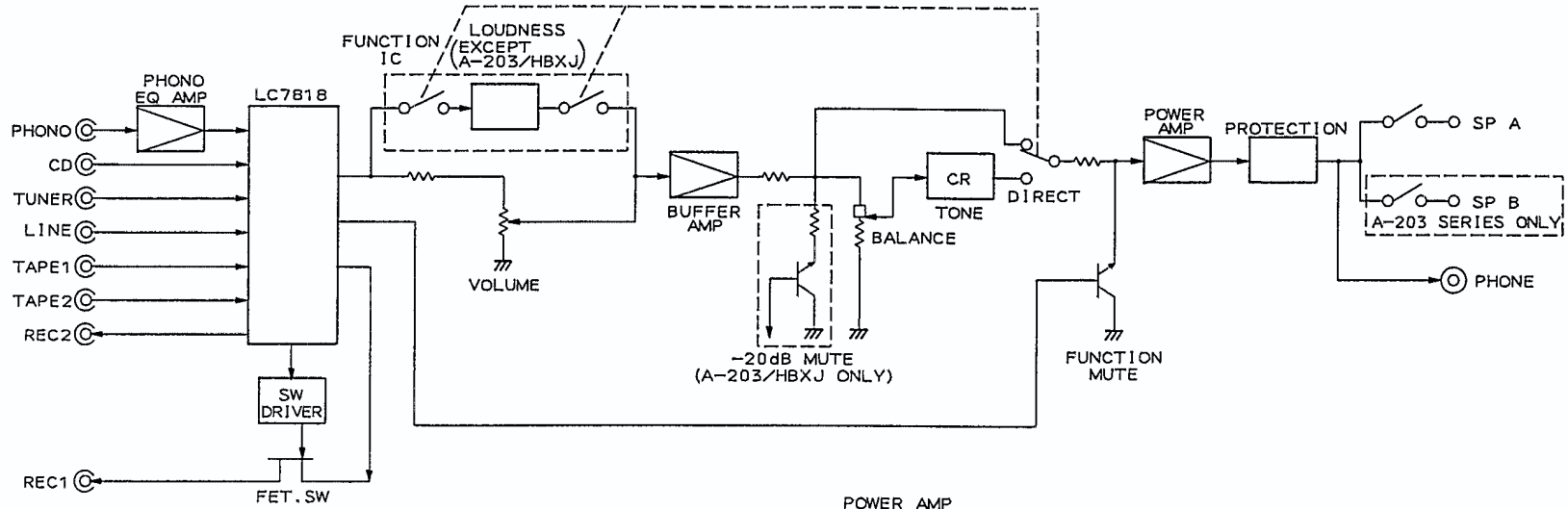
D

IC201

Q203
Q204

Q202 Q201

5. BLOCK DIAGRAM



A-203, A-103

6. PCB PARTS LIST

NOTES:

- Parts marked by "NSP" are generally unavailable because they are not in our Master Spare Parts List.
- The Δ mark found on some component parts indicates the importance of the safety factor of the part. Therefore, when replacing, be sure to use parts of identical designation.
- Parts marked by "●" are not always kept in stock. Their delivery time may be longer than usual or they may be unavailable.
- When ordering resistors, first convert resistance values into code form as shown in the following examples.

Ex.1 When there are 2 effective digits (any digit apart from 0), such as 560 ohm and 47k ohm (tolerance is shown by J = 5%, and K = 10%).

560 Ω	\rightarrow	56 $\times 10^1$	\rightarrow	561	RD1/8PM	<table border="1"><tr><td>5</td><td>6</td><td>1</td></tr></table> J	5	6	1
5	6	1								
47k Ω	\rightarrow	47 $\times 10^3$	\rightarrow	473	RD1/4PS	<table border="1"><tr><td>4</td><td>7</td><td>3</td></tr></table> J	4	7	3
4	7	3								
0.5 Ω	\rightarrow	0R5	RN2H	<table border="1"><tr><td>0</td><td>R</td><td>5</td></tr></table> K	0	R	5
0	R	5								
1 Ω	\rightarrow	010	RSIP	<table border="1"><tr><td>0</td><td>1</td><td>0</td></tr></table> K	0	1	0
0	1	0								

Ex.2 When there are 3 effective digits (such as in high precision metal film resistors).

5.62k Ω	\rightarrow	562 $\times 10^1$	\rightarrow	5621	RN1/4PC	<table border="1"><tr><td>5</td><td>6</td><td>2</td><td>1</td></tr></table> F	5	6	2	1
5	6	2	1								

Mark	No.	Description	Parts No.	Mark	Mark	No.	Description	Parts No.	Mark
------	-----	-------------	-----------	------	------	-----	-------------	-----------	------

LIST OF ASSEMBLIES

NSP	AF ASSY (For A-203)	FUNCTION ASSY	AWK1787			C136,C137	CEAS101M25
		CONTROL ASSY	AWZ5492			C115	CEAS102M16
		HEADPHONE ASSY	AWZ5493			C120,C121,C130,C131	CEAS2R2M50
		SP ASSY	AWZ5494			C159,C160	CEAS2R2M50
			AWZ5495			C124,C125,C151,C152	CEAS470M25
	AF ASSY (For A-103)	POWER SW ASSY	AWZ5496			C116	CEAS4R7M50
		TRANS ASSY	AWZ5497			C138	CFTYA104J50
		POWER AMP ASSY	AWZ5500			C155	CFTYA473J50
						C117	CFTYA563J50
						C145,C146	CFTYA823J50
NSP	AF ASSY (For A-103)	FUNCTION ASSY	AWK1788			C141,C142	CFTYA824J50
		CONTROL ASSY	AWZ5492			C161	CKCYF103Z50
		POWER SW ASSY	AWZ5496			C126,C127,C134,C135	CQMA222J50
		HEADPHONE ASSY	AWZ5498			C128,C129	CQMA822J50
		SP ASSY	AWZ5499				
	POWER AMP ASSY	AWZ5501					
	TRANS ASSY	AWZ5538					

RESISTORS

Δ R182		RFA1/4PS4R7J				
VR101	(100k - A5 \times 2)	ACT1084				
Other Resistors		RD1/8PM <table border="1"><tr><td> </td><td> </td><td> </td><td> </td></tr></table> J				

OTHERS

CN11	(PIN JACK - 8P)	AKB1127
CN10	(PIN JACK - 8P)	AKB1219
CN1	CONNECTOR(15P)	KPE15

CONTROL ASSY

SEMICONDUCTORS

IC201		NJM4558DXP
Q201,Q202		2SC2878
D209	(Red)	AEL1065
D208	(Orange)	AEL1084
D201 - D206	(Red)	AEL1148

SWITCHES AND RELAYS

S208		ASG1019
S201 - S206		ASG1034
S207		ASG1079

CAPACITORS

C223,C224		CCCSL151J50
C217,C218		CCCSL271J50
C221,C222		CCCSL470J50
C219		CEANP220M35
C205,C206		CEAS2R2M50

FUNCTION ASSY

SEMICONDUCTORS

IC101	LC7818
IC102,IC103	UPC4570C
Q104,Q111	2SA933S
Q103,Q110	2SC1740S
Q101,Q102,Q106-Q109	2SK246

Q105	DTA124ES
D101 - D103,D106 - D109	1SS252
D110	MTZJ20
D104,D105	MTZJ8.2

COILS AND FILTERS

L101 - L104	LAU121K
L105,L106	LAU221K

CAPACITORS

C147,C148,C153,C154 (2.2/50)	ACH1260
C149,C150 (47/25)	ACH1261
C132,C133	CCCSL101J50
C156,C157	CCCSL151J50
C101 - C114,C122,C123,C139	CCCSL221J50
C143,C144	CCCSL221J50
C118,C119	CCCSL330J50
C162	CEANP4R7M50

A-203, A-103

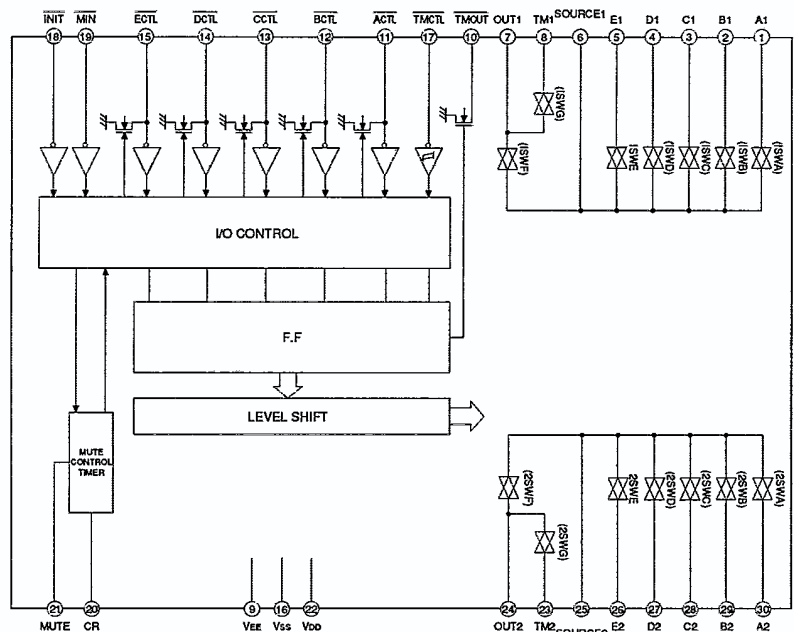
Mark	No.	Description	Parts No.	Mark
△	R323-R326		RD1/8MMF511J	
△	R327-R330		RD1/8MMF680J	
	R371,R372 (For A-203)		RDR1/4PM392J	
	R371,R372 (For A-103)		RDR1/4PM332J	
△	R343-R346		RFA1/4PS4R7J	
	R331,R332		RN1/4PC1501F	
	R335,R336		RN1/4PC6800F	
	Other Resistors		RD1/8PM□□□J	
OTHERS				
	PLUG	(10P)	AKM1037	
	CN2	CONNECTOR(13P)	KPE13	
	CN3	CONNECTOR(7P)	KPE7	

7. IC INFORMATION

● The information shown in the list is basic information and may not correspond exactly to that shown in the schematic diagrams.

■ LC7818 (IC101) Input Selector IC

● Block diagram



● Pin Function

No.	Name	Function
1	A1	Audio signal input
2	B1	
3	C1	
4	D1	
5	E1	
6	SOURCE1	Recording output
7	OUT1	Audio signal output
8	TM1	Audio signal input
9	VEE	1. When power supply (+) is used: VSS=VEE=GND 2. When power supply (+-) is used: VSS=GND, VEE=(-)V
10	TMOUT	TM ON/OFF display LED driver output
11	ACTL	Input/output pin for analog switch control and display LED driver output
12	BCTL	
13	CCTL	
14	DCTL	
15	ECTL	
16	VSS	1. When power supply (+) is used: VSS=VEE=GND 2. When power supply (+-) is used: VSS=GND, VEE=(-)V

No.	Name	Function																						
17	TMCTL	TM control input																						
18	INIT	Mode setting input Operations According to the Combination of INIT and MIN Inputs																						
19	MIN																							
			<table border="1"> <thead> <tr> <th>INIT</th> <th>MIN</th> <th>Operations</th> </tr> </thead> <tbody> <tr> <td>H</td> <td>M</td> <td>Localization</td> </tr> <tr> <td>H</td> <td>L</td> <td>Backup</td> </tr> <tr> <td>H</td> <td>H</td> <td>Auto function</td> </tr> <tr> <td>L</td> <td>M</td> <td>Mute</td> </tr> <tr> <td>L</td> <td>L</td> <td>Initialize (Circuit A)</td> </tr> <tr> <td>L</td> <td>H</td> <td>Reset</td> </tr> </tbody> </table>	INIT	MIN	Operations	H	M	Localization	H	L	Backup	H	H	Auto function	L	M	Mute	L	L	Initialize (Circuit A)	L	H	Reset
INIT	MIN		Operations																					
H	M		Localization																					
H	L	Backup																						
H	H	Auto function																						
L	M	Mute																						
L	L	Initialize (Circuit A)																						
L	H	Reset																						
20	CR	Clock oscillation input/output Connected to C1 and R1																						
21	MUTE	Mute control output																						
22	VDD	Power supply																						
23	TM2	Audio signal input																						
24	OUT2	Audio signal output																						
25	SOURCE2	Recording output																						
26	E2	Audio signal input																						
27	D2																							
28	C2																							
29	B2																							
30	A2																							

8. FOR A-203/HBXJ, HEWZXJ, HLXJ, SDXJ, A-103/HBXJ, HEWZXJ, HLXJ, SDXJ AND YPWXJ

NOTES:

- Parts marked by "NSP" are generally unavailable because they are not in our Master Spare Parts List.
- The Δ mark found on some component parts indicates the importance of the safety factor of the part. Therefore, when replacing, be sure to use parts of identical designation.
- Parts marked by "☉" are not always kept in stock. Their delivery time may be longer than usual or they may be unavailable.

8.1 CONTRAST OF MISCELLANEOUS PARTS FOR A-203/HBXJ, HEWZXJ, HLXJ AND SDXJ.

A-203/HBXJ, HEWZXJ, HLXJ, SDXJ and A-203/HEXJ have the same construction except for the following:

Mark	Symbol & Description	Part No.					Remarks
		A-203 HEXJ	A-203 HBXJ	A-203 HEWZXJ	A-203 HLXJ	A-203 SDXJ	
NSP	AF assembly	AWK1787	AWK1822	AWK1787	AWK1787	AWK1823	
	FUNCTION assembly	AWZ5492	AWZ5521	AWZ5492	AWZ5492	AWZ5492	
	CONTROL assembly	AWZ5493	AWZ5523	AWZ5493	AWZ5493	AWZ5493	
	SP assembly	AWZ5495	AWZ5524	AWZ5495	AWZ5495	AWZ5525	
	POWER SW assembly	AWZ5496	AWZ5526	AWZ5496	AWZ5496	AWZ5496	
Δ	T1 Power transformer (AC220-230V/240V)	ATS1538	ATS1538	ATS1538	ATS1538	
Δ	T1 Power transformer (AC110V/120-127V/220V/240V)	ATS1539	
Δ	Voltage selector (AC110V/120-127V/220V/240V)	AKX-507	Refer to page5.
Δ	AC outlet	AKP-515	Refer to page5.
Δ	FU2 Fuse (1.25A)	REK1023	Refer to page5.
Δ	AC power cord	ADG1154	ADG1156	ADG1154	ADG1154	ADG1158	
	Rear panel	ANC2173	ANC2174	ANC2172	ANC2201	ANC2175	
	Insulator (for front/rear)	PNW1912	PNW1912	PNW1912	
	Insulator (for front)	DXA1490	DXA1490	
	Foot (for rear)	AEC1505	AEC1505	
	Front panel	AMB2231	AMB2233	AMB2231	AMB2231	AMB2231	
	Operating instructions (English/French/German/Italian/ Swedish/Spanish/Dutch/ Portuguese)	ARE1302	
	Operating instructions (English)	ARB1468	
	Operating instructions (German)	ARC1455	
	Operating instructions (English/Chinese)	ARE1300	
	Operating instructions (English/Spanish/Chinese)	ARE1301	
	Packing case	AHD2672	AHD2672	AHD2672	AHD2701	AHD2701	

FUNCTION ASSEMBLY

AWZ5521 and AWZ5492 have the same construction except for the following:

Mark	Symbol & Description	Part No.		Remarks
		AWZ5492	AWZ5521	
	D106-D109 Q106-Q109	1SS252 2SK246	
	R159, R160 R161, R162 R163, R164 R165-R168 R175-R178	RD1/8PM104J RD1/8PM273J RD1/8PM393J RD1/8PM105J RD1/8PM475J	
	C143, C144 C145, C146 C159, C160	CCCSL221J50 CFTXA823J50 CEAS2R2M50	

CONTROL ASSEMBLY

AWZ5523 and AWZ5493 have the same construction except for the following:

Mark	Symbol & Description	Part No.		Remarks
		AWZ5493	AWZ5523	
	Q203, Q204	2SC2878	
	R238 R261, R262 R263, R264 R265, R267 R266	RD1/8PM103J RD1/8PM100J RD1/8PM103J RD1/8PM332J RD1/8PM153J	
	R268	RD1/8PM333J	
	C219 C225	CEANP220M35 CEANP4R7M50	

SP ASSEMBLY

AWZ5524, AWZ5525 and AWZ5495 have the same construction except for the following:

Mark	Symbol & Description	Part No.			Remarks
		AWZ5495	AWZ5524	AWZ5525	
	C403-C406	CKCYB472K50	
	Speaker terminal 8-P	AKE1011	AKE1036	AKE1011	
Δ	CN6 (AC INLET-1P)	AKP1132	AKP1133	AKP1132	

POWER SW ASSEMBLY

Although AWZ5526 and AWZ5496 are different in part number, they have the same service parts.

8.2 CONTRAST OF MISCELLANEOUS PARTS FOR A-103/HBXJ, HEWZXJ, HLXJ SDXJ AND YPWXJ.

A-103/HBXJ, HEWZXJ, HLXJ, SDXJ, YPWXJ and A-103/HEXJ have the same construction except for the following:

Mark	Symbol & Description	Part No.						Remarks
		A-103 HEXJ	A-103 HBXJ	A-103 HEWZXJ	A-103 HLXJ	A-103 SDXJ	A-103 YPWXJ	
NSP	AF assembly	AWK1788	AWK1825	AWK1788	AWK1788	AWK1826	AWK1788	
	SP assembly	AWZ5499	AWZ5529	AWZ5499	AWZ5499	AWZ5530	AWZ5499	
	POWER SW assembly	AWZ5496	AWZ5526	AWZ5496	AWZ5496	AWZ5496	AWZ5496	
△	T1 Power transformer (AC220-230V/240V)	ATS1540	ATS1540	ATS1540	ATS1540	ATS1540	
△	T1 Power transformer (AC110V/120-127V/220V/240V)	ATS1541	
△	Voltage selector (AC110V/120-127V/220V/240V)	AKX-507	Refer to page5.
△	AC outlet	AKP-515	Refer to page5.
△	FU2 Fuse (800mA)	REK1021	Refer to page5.
△	AC power cord	ADG1154	ADG1156	ADG1154	ADG1154	ADG1158	ADG1160	
	Rear panel	ANC2177	ANC2178	ANC2176	ANC2202	ANC2179	ANC2178	
	Insulator	PNW1912	PNW1912	PNW1912	
	Foot	AEC1505	AEC1505	AEC1505	
	Front panel	AMB2232	AMB2232	AMB2232	AMB2234	AMB2234	AMB2234	
	Operating instructions (English/French/German/Italian/ Swedish/Spanish/Dutch/ Portuguese)	ARE1302	
	Operating instructions (English)	ARB1468	ARB1468	
	Operating instructions (German)	ARC1455	
	Operating instructions (English/Chinese)	ARE1300	
	Operating instructions (English/Spanish/Chinese)	ARE1301	
	Packing case	AHD2673	AHD2673	AHD2673	AHD2702	AHD2702	AHD2673	

SP ASSEMBLY

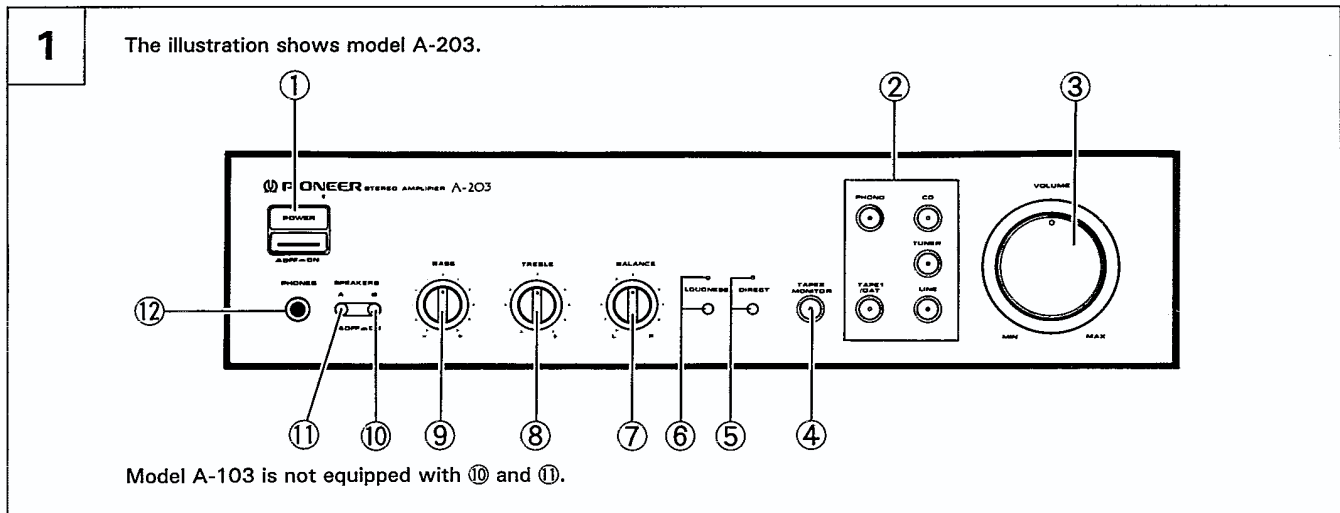
AWZ5529, AWZ5530 and AWZ5499 have the same construction except for the following:

Mark	Symbol & Description	Part No.			Remarks
		AWZ5499	AWZ5529	AWZ5530	
	C403, C404	CKCYB472K50	
△	CN6 (AC INLET-1P)	AKP1132	AKP1133	AKP1132	

POWER SW ASSEMBLY

Although AWZ5526 and AWZ5496 are different in part number, they have the same service parts.

9. PANEL FACILITIES



FRONT PANEL

See Fig. 1

① POWER switch

Press to turn power to the unit ON and OFF.

② Input Selector switch/indicator

Use to select the playback source.

PHONO:

For record playback with a turntable.

CD:

For compact disc playback with a CD player.

TUNER:

For AM or FM broadcast reception with a tuner.

LINE:

Set to this position when listening to the programs from a component connected to the LINE terminals.

TAPE 1/DAT:

For playback with a cassette deck or digital audio tape deck connected to the TAPE 1/DAT terminals.

③ VOLUME control

Use to adjust the volume level.

④ TAPE 2 MONITOR switch/indicator

Use when there is an adaptor component (graphic equalizer, etc.) or cassette deck connected to the TAPE 2 MONITOR terminals.

ON:

Indicator lights when using the adaptor component or listening to the cassette deck.

OFF:

Indicator goes out when not in use.

NOTE:

- When no connections are made to the TAPE 2 MONITOR terminals, or when they are not in use, be sure to set this switch to the OFF position. (No sound will be heard if it is set to the ON position.)
- When the TAPE 2 MONITOR indicator is on and the input selector switch is not set to TAPE 1/DAT, the signals which are input through TAPE 2 MONITOR are then output at TAPE 1/DAT REC OUT.

⑤ DIRECT switch/indicator

Use this switch when you do not wish to pass the output from input terminal equipment through the various frequency adjusting circuits (BASS, TREBLE, BALANCE, LOUDNESS.)

ON:

The indicator lights: The signals input through the input terminals are reproduced without passing through the various frequency adjusting circuits. This results in flat, pure sound which is a more faithful reproduction of the input source.

OFF:

The indicator goes out: The signal passes through the various frequency adjusting circuits.

⑥ MUTING button/indicator

(Only U.K. model of A-203)

Use to temporarily cut sound volume.

ON: (Red illumination)

The indicator lights. The sound volume will be reduced -20dB.

OFF:

The indicator goes off. The sound will return to its previous volume.

⑥ LOUDNESS switch/indicator

(Except U.K. model of A-203)

Use when listening at low volume levels.

ON:

The indicator lights: Boosts low and high frequencies to give added punch to playback even at low volume levels.

OFF:

The indicator goes off: Should normally be left in this position.

NOTE:

This control does not operate when the DIRECT switch is in the ON position.

⑦ BALANCE control

Should normally be left in the center position. Adjust the balance if the sound is louder from one of the speakers. If the right side is louder, turn toward the L (left) position and if the left side is louder, turn toward the R (right) position.

NOTE:

This control does not operate when the DIRECT switch is in the ON position.

⑧ TREBLE tone control

Use to adjust the high-frequency tone. The center position is the flat (normal) position. When turned to the right, high-frequency tone is emphasized; when turned to the left, high-frequency tone is de-emphasized.

NOTE:

This control does not operate when the DIRECT switch is in the ON position.

⑨ BASS tone control

Use to adjust the low-frequency tone. The center position is the flat (normal) position. When turned to the right, low-frequency tone is emphasized; when turned to the left, low-frequency tone is de-emphasized.

NOTE:

This control does not operate when the DIRECT switch is in the ON position.

⑩ SPEAKERS B selector switch (A-203 only)

Use this switch to listen to the speaker system connected to the SPEAKERS B terminals.

ON (■):

Depressed position: Sound is heard from the speaker system.

OFF (■):

Released position: No sound is heard from the speaker system.

Set to this position when listening with headphones

⑪ SPEAKERS A selector switch (A-203 only)

Use this switch to listen to the speaker system connected to the SPEAKERS A terminals.

ON (■):

Depressed position: Sound is heard from the speaker system.

OFF (■):

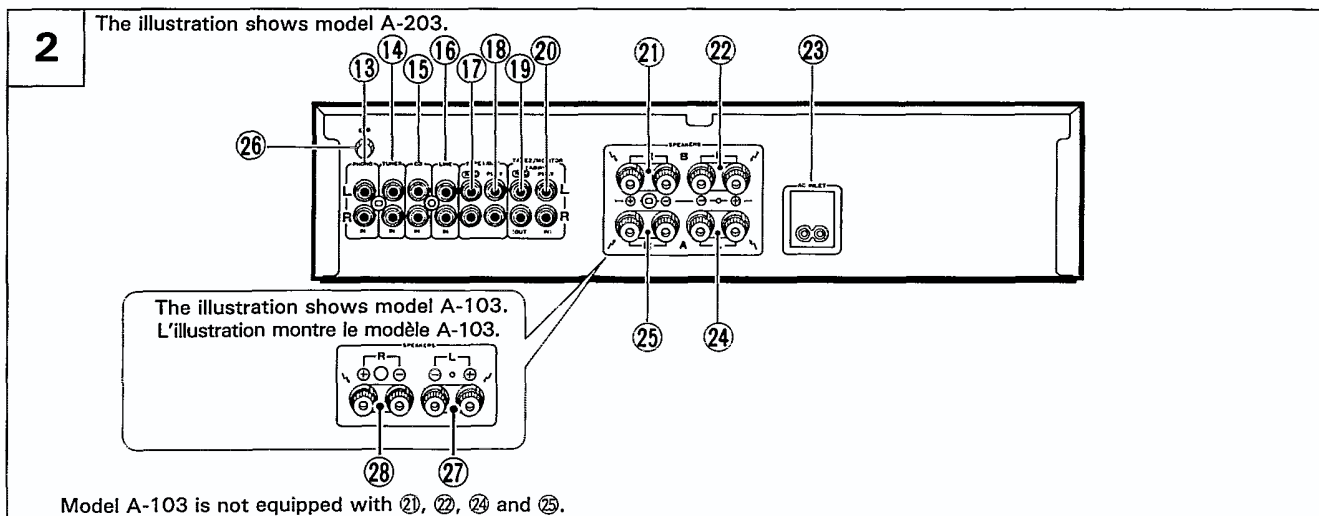
Released position: No sound is heard from the speaker system.

Set to this position when listening with headphones.

⑫ PHONES jack

When using headphones, insert the plug into this jack.

With model A-103 the output to the speakers is cut automatically when connecting headphones.



REAR PANEL See Fig. **2**

- 13 PHONO terminals
- 14 TUNER terminals
- 15 CD terminals
- 16 LINE terminals
- 17 TAPE 1/DAT REC terminals
- 18 TAPE 1/DAT PLAY terminals
- 19 TAPE 2/MONITOR (ADPT) REC (OUT) terminals
- 20 TAPE 2/MONITOR (ADPT) PLAY (IN) terminals
- 21 SPEAKERS B terminals (right channel) (A-203 only)
- 22 SPEAKERS B terminals (left channel) (A-203 only)
- 23 AC INLET jack
Connect power cord to here and an AC wall socket, or the AC outlet of an audio timer.
If you are going to be away from home for a long period of time, disconnect the unit from the wall socket.
- 24 SPEAKERS A terminals (left channel) (A-203 only)
- 25 SPEAKERS A terminals (right channel) (A-203 only)
- 26 GND (Turntable ground) terminal
- 27 SPEAKERS terminals (left channel) (A-103 only)
- 28 SPEAKERS terminals (right channel) (A-103 only)

10. SPECIFICATIONS

[A-203]

Amplifier Section

Continuous power output (both channels driven at 20 Hz to 20 kHz)**	
T.H.D. 0.07 %, 8 Ω	35 W + 35 W*
T.H.D. 0.1 %, 4 Ω	40 W + 40 W*
DIN Continuous power output (both channels driven at 1 kHz)	
T.H.D. 1.0 %, 8 Ω	45 W + 45 W
T.H.D. 1.0 %, 4 Ω	55 W + 55 W
Dynamic power output (E.I.A. test signal)	
4 Ω	66 W
Total harmonic distortion**	
20 Hz to 20 kHz, 17,5 W, 8 Ω	0.05 %*
• Above specifications are for when power supply is 230 V.	
Input sensitivity/impedance	
PHONO (MM)	2.8 mV/50 kΩ
CD, TUNER, LINE, TAPE 1/DAT, TAPE 2 MONITOR	200 mV/50 kΩ
PHONO overload level	
1 kHz, T.H.D. 0.1 % (MM)	150 mV
Output level/impedance	
TAPE REC, ADPT OUT	200 mV/1 kΩ
Frequency response	
PHONO (MM)	20 Hz to 20 kHz ±0.5 dB
CD, TUNER, LINE, TAPE 1/DAT, TAPE 2 MONITOR,	5 Hz to 100 kHz±0.5 dB*
Tone control	
BASS	± 8 dB (100 Hz)
TREBLE	± 8 dB (10 kHz)
Loudness contour (volume control set at -30 dB position)	
Australian model only	
	+5 dB (100 Hz)/+3 dB (10 kHz)
Signal-to-Noise ratio (IHF short circuit, A network)	
PHONO (MM, 5 mV input)	82 dB*
CD, TUNER, LINE, TAPE 1/DAT, TAPE 2 MONITOR	105 dB*
Signal-to-Noise ratio (DIN, continuous power/50 mW)	
PHONO (MM)	68 dB/64 dB*
CD, TUNER, LINE, TAPE 1/DAT, TAPE 2 MONITOR	85 dB/67 dB*

Power Supply/Miscellaneous

Power requirements	AC 220 - 230 Volts, 50/60 Hz
Power consumption	330 W
Dimensions (including knobs and other protruding parts)	
	420 (W) × 312 (D) × 110 (H) mm
Weight (without package)	5.2 kg

Accessories

Operating instructions	1
------------------------	---

NOTE:

Specifications and design subject to possible modification without notice, due to improvements.

* Measured with the DIRECT switch set to ON.

** Measured by Audio Spectrum Analyzer.

[A-103]

Amplifier Section

Continuous power output (both channels driven at 20 Hz to 20 kHz)**	
T.H.D. 0.1 %, 8 Ω	25 W + 25 W*
DIN Continuous power output (both channels driven at 1 kHz)	
T.H.D. 1.0 %, 8 Ω	30 W + 30 W
Total harmonic distortion**	
20 Hz to 20 kHz, 12,5 W, 8 Ω	0.05 %*
• Above specifications are for when power supply is 230 V.	
Input sensitivity/impedance	
PHONO (MM)	2.8 mV/50 kΩ
CD, TUNER, LINE, TAPE 1/DAT, TAPE 2 MONITOR	200 mV/50 kΩ
PHONO overload level	
1 kHz, T.H.D. 0.1 % (MM)	150 mV
Output level/impedance	
TAPE REC, ADPT OUT	200 mV/1 kΩ
Frequency response	
PHONO (MM)	20 Hz to 20 kHz ±0.5 dB
CD, TUNER, LINE, TAPE 1/DAT, TAPE 2 MONITOR,	5 Hz to 100 kHz±0.5 dB*
Tone control	
BASS	± 8 dB (100 Hz)
TREBLE	± 8 dB (10 kHz)
Loudness contour (volume control set at -30 dB position)	
	+5 dB (100 Hz)/+3 dB (10 kHz)
Signal-to-Noise ratio (IHF short circuit, A network)	
PHONO (MM, 5 mV input)	82 dB*
CD, TUNER, LINE, TAPE 1/DAT, TAPE 2 MONITOR	105 dB*
Signal-to-Noise ratio (DIN, continuous power/50 mW)	
PHONO (MM)	68 dB/64 dB*
CD, TUNER, LINE, TAPE 1/DAT, TAPE 2 MONITOR	85 dB/67 dB*

Power Supply/Miscellaneous

Power requirements	AC 220 - 230 Volts, 50/60 Hz
Power consumption	210 W
Dimensions (including knobs and other protruding parts)	
	420 (W) × 312 (D) × 110 (H) mm
Weight (without package)	4,2 kg

Accessories

Operating instructions	1
------------------------	---

NOTE:

Specifications and design subject to possible modification without notice, due to improvements.

* Measured with the DIRECT switch set to ON.

** Measured by Audio Spectrum Analyzer.