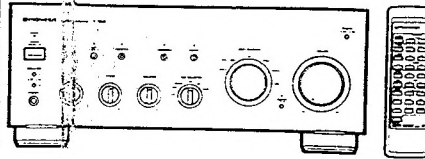


Service Manual

PIONEER
The Art of Entertainment



ORDER NO.
ARP2780

STEREO AMPLIFIER

A-702R

A-602R

— NOW
Tel. 728-37-19

A-702R, A-702R-G, A-602R AND A-602 HAVE THE FOLLOWING :

Type	Model				Power Requirement	Remarks
	A-702R	A-702R-G	A-602R	A-602		
HEWZ	○	—	○	○	AC220-230V, 240V (switchable)*	
HE	○	—	○	○	AC220-230V, 240V (switchable)*	
HEZ	—	○	—	—	AC220-230V, 240V (switchable)*	
HB	—	—	—	○	AC220-230V, 240V (switchable)*	
SD	○	—	○	—	AC110V, 120-127V, 220V, 240V (switchable)	

*Change the connection of the power transformer's primary wiring.

- This manual is applicable to the following : A-702R/HEWZ, HE and SD ; A-702R-G/HEZ ; A-602R/HEWZ, HE and SD ; A-602/HEWZ, HE and HB.
- For the following : A-702R/HE and SD ; A-702R-G/HEZ ; A-602R/HEWZ, HE and SD ; A-602/HEWZ, HE and HB, refer to page 45.

CONTENTS

1. EXPLODED VIEWS, PACKING AND PARTS LIST	2	6. ADJUSTMENTS	44
2. DISASSEMBLY	6	7. FOR A-702R/HE, SD, A-702R-G/HEZ, A-602R/HEWZ, HE, SD, A-602/HEWZ, HE AND HB	45
3. BLOCK DIAGRAM	7	8. PANEL FACILITIES	65
4. SCHEMATIC AND PCB CONNECTION DIAGRAMS	9	9. SPECIFICATIONS	68
5. PCB PARTS LIST	39		

PIONEER ELECTRONIC CORPORATION 4-1, Meguro 1-Chome, Meguro-ku, Tokyo 153, Japan
 PIONEER ELECTRONICS SERVICE INC. P.O. Box 1760, Long Beach, California 90801 U.S.A.
 PIONEER ELECTRONICS OF CANADA, INC. 300 Allstate Parkway Markham, Ontario L3R 0P2 Canada
 PIONEER ELECTRONIC [EUROPE] N.V. Haven 1087 Keetberglaan 1, 9120 Melsele, Belgium
 PIONEER ELECTRONICS AUSTRALIA PTY. LTD. 178-184 Boundary Road, Braeside, Victoria 3195, Australia TEL: [03] 580-9911
 © PIONEER ELECTRONIC CORPORATION 1993

DFE MAY 1993 Printed in Japan

1. EXPLODED VIEWS, PACKING AND PARTS LIST

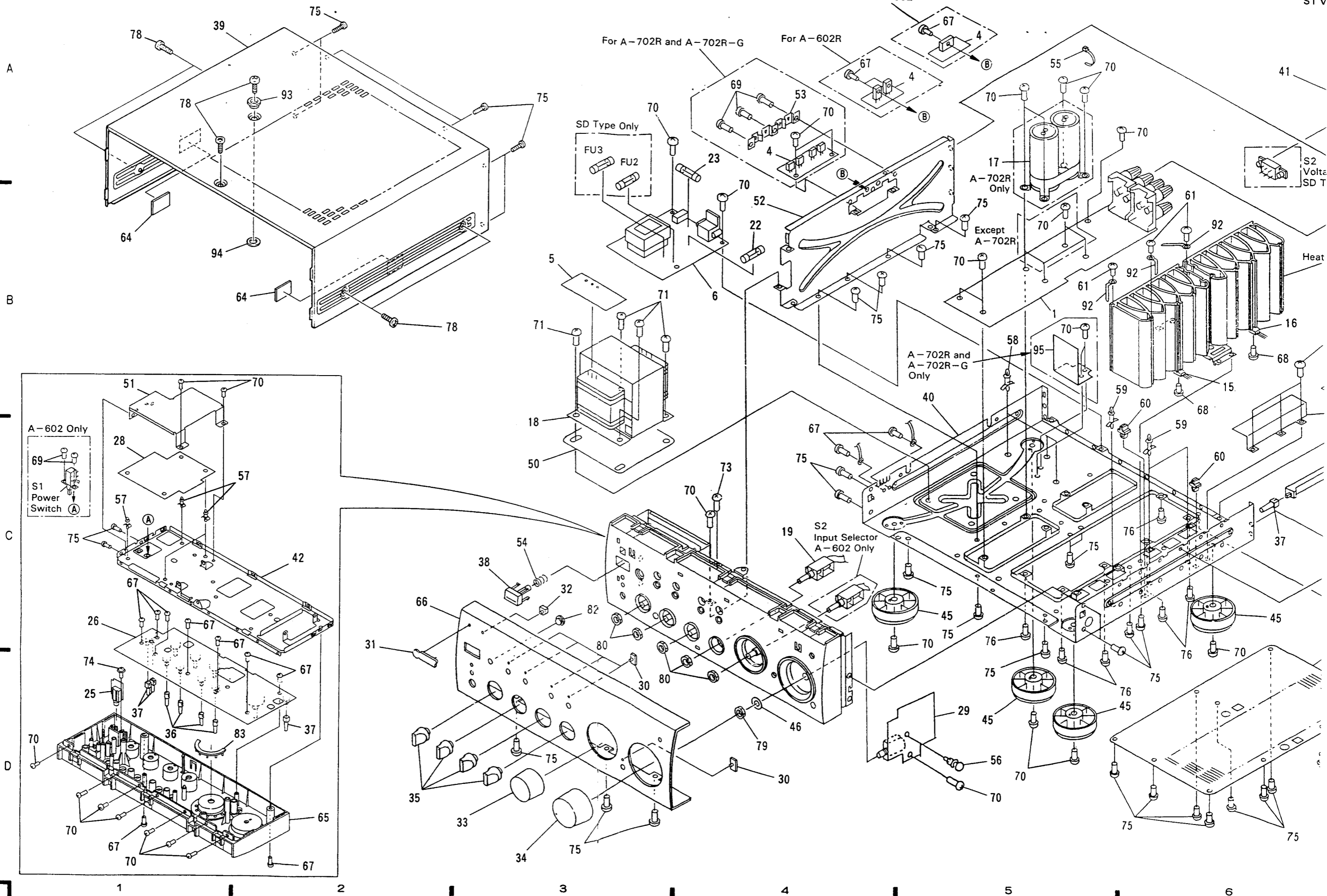
NOTES :

- Parts marked by "NSP" are generally unavailable because they are not in our Master Spare Parts List.
- The Δ mark found on some component parts indicates the importance of the safety factor of the part. Therefore, when replacing, be sure to use parts of identical designation.
- Parts marked by "☉" are not always kept in stock. Their delivery time may be longer than usual or they may be unavailable.

Parts List of Exterior and Packing

Mark	No.	Description	Parts No.	Mark	No.	Description	Parts No.
	1	POWER AMP ASSY	AWZ4882	NSP	49	PCB HOLDER	ANG1826
	2	VOLTAGE AMP ASSY	AWZ4883	NSP	50	TRANS BASE	ANG1848
	3	REC OUT ASSY	AWZ4884				
	4	DIODE ASSY	AWZ4886	NSP	51	SHIELD PLATE A	ANK1244
	5	POWER TRANS ASSY	AWZ4887	NSP	52	SHIELD PLATE B	ANK1245
	6	POWER SW ASSY	AWZ4890	NSP	53	DIODE SHIELD	ANK1246
Δ	7	TRANSISTOR (Q3)	2SA1265N		54	SPRING	ABH1089
Δ	8	TRANSISTOR (Q4)	2SA1265N	NSP	55	NYLON BINDER	AEC-093
Δ	9	TRANSISTOR (Q7)	2SA1265N		56	RIVET	AEC-441
Δ	10	TRANSISTOR (Q8)	2SA1265N	NSP	57	PCB SUPPORT	AEC1006
Δ	11	TRANSISTOR (Q1)	2SC3182N	NSP	58	PCB SPACER	AEC1084
Δ	12	TRANSISTOR (Q2)	2SC3182N	NSP	59	PCB SUPPORT	AEC1231
Δ	13	TRANSISTOR (Q5)	2SC3182N		60	PCB HOLDER	AEC1520
Δ	14	TRANSISTOR (Q6)	2SC3182N		61	SCREW	IPZ30P120FCU
Δ	15	TRANSISTOR (Q231)	2SC4137	NSP	62	SHIELD PLATE	AEC1533
Δ	16	TRANSISTOR (Q232)	2SC4137		63	SHEET	AEE1014
Δ	17	ELECTROLYTIC CAPACITOR (C1)	ACH1236	NSP	64	CUSHION	ABE1074
Δ	18	POWER TRANSFORMER (T1)	ATS1488		65	PANEL BASE	AMB2136
	19	SWITCH (S3, REC SELECTOR)	ASU1047		66	FRONT PANEL	ANB1552
NSP	20	TERMINAL SCREW	AKE-031		67	SCREW	ABA-298
Δ	21	AC SOCKET 3-P	AKP-502		68	SCREW (STEEL)	ABA1007
Δ	22	FUSE (T1A/250V, FU4)	AEK-508		69	SCREW (STEEL)	ABA1009
Δ	23	FUSE (T3.15A/250V, FU1)	AEK-513		70	SCREW (STEEL)	ABA1011
Δ	24	AC POWER CORD	ADG1127		71	SCREW	FBT40P120FCU
Δ	25	HEADPHONE ASSY	AWZ4885		72	SCREW (STEEL)	ABA1050
	26	TONE ASSY	AWZ4891		73	SCREW	ABA1052
	27	INPUT ASSY	AWZ4892		74	SCREW (STEEL)	ABA1095
	28	MPU ASSY	AWZ5071		75	SCREW (STEEL)	ABA1192
	29	VOLUME ASSY	AWZ5072		76	SCREW (STEEL)	ABA1193
	30	LED LENS	AAK2459		77	SCREW (STEEL)	ABA1194
	31	NAME PLATE (METAL)	AAM1058		78	SCREW	FBT40P060FZK
	32	LED LENS	PNW2019		79	NUT	NK70FUC
	33	ROTARY KNOB M	AAB1344		80	NUT	NK90FUC
	34	ROTARY KNOB L	AAB1347		81	PUSH JOINT	AMR2537
	35	ROTARY KNOB S	AAB1367		82	REMOTE SENSOR WINDOW	AAK2457
	36	PUSH KNOB A	AAD2430		83	FUNCTION LENS	AAK2458
	37	PUSH KNOB B	AAD2432		84	OPE. INSTRUCTIONS (German)	ARC1420
	38	POWER KNOB	AAD2434		85	REMOTE CONTROL UNIT (CU-A005)	AXD1354
	39	METAL BONNET	ANE1427				
NSP	40	CHASSIS	ANA1214	NSP	86	BATTERY (R03, AAA)	AEX-021
	41	REAR PANEL	ANC2080		87	STYROL PROTECTOR (R)	AHA1599
NSP	42	PANEL STAY	AND1057		88	STYROL PROTECTOR (L)	AHA1600
NSP	43	BOTTOM PLATE	ANF1102		89	PACKING CASE	AHD2534
NSP	44	HEAT SINK	ANH1434		90	PACKING SHEET	AHG1204
	45	LEG ASSY	AMR2590		91	BATTERY COVER	AZA1375
NSP	46	DAMPER	ABE1008	NSP	92	BINDER	AEF1004
	47	TRANSISTOR COVER L	ANG1724		93	BUSH	ABF1015
NSP	48	HEAT SINK HOLDER	ANG1825	NSP	94	WASHER	ABE1028
					95	SHIELD PLATE D	AEC1539

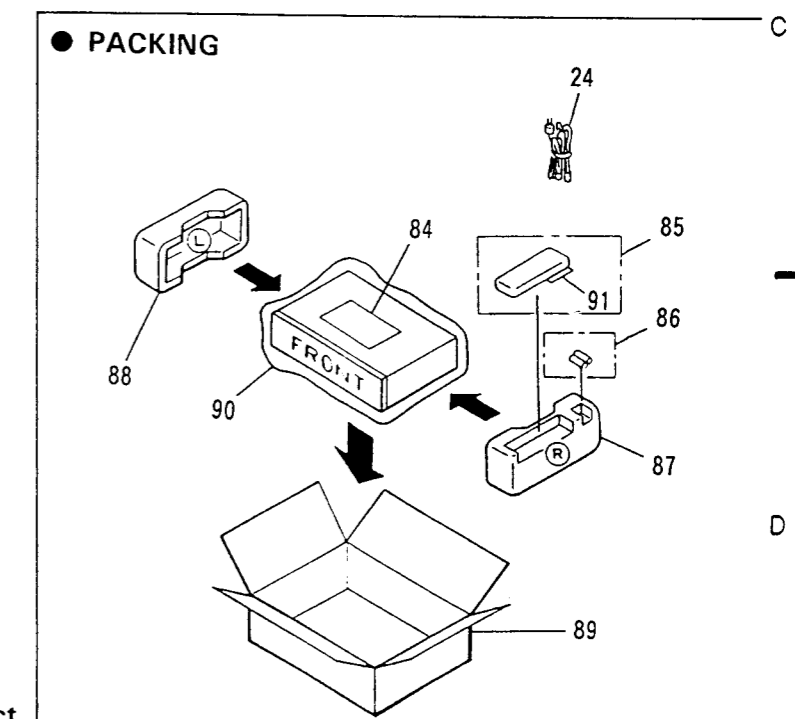
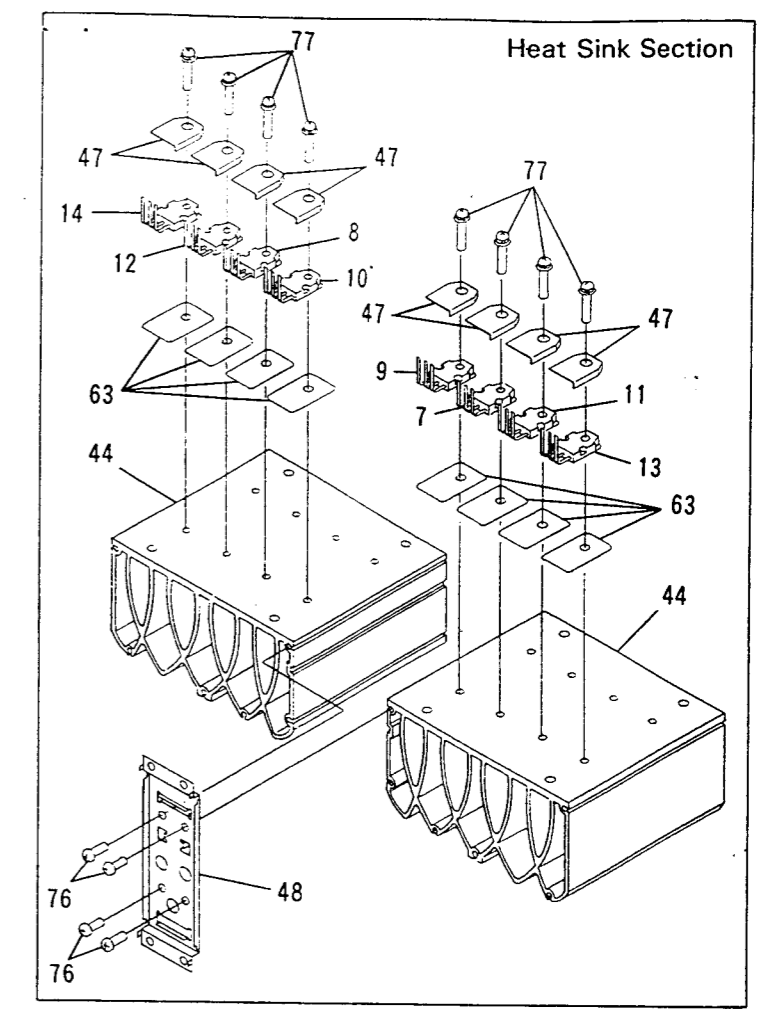
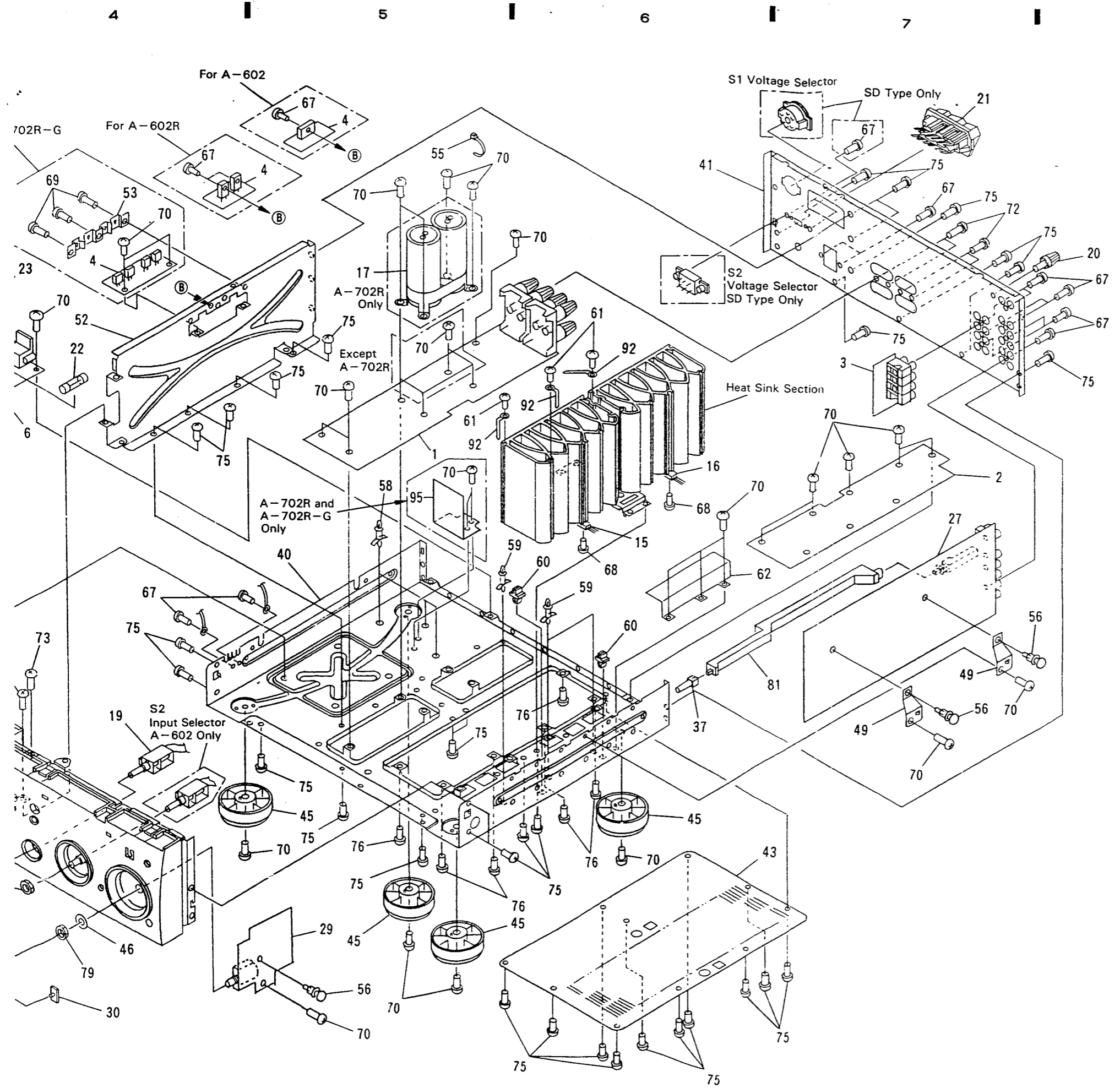
EXTERIOR



S1 V

Heat

S2 Voltage SD T



2. DISASSEMBLY

FRONT PANEL SECTION

(See Fig. 2-1)

1. Remove the metal bonnet.
Remove screws : Top side $\times 2$, L/R side $\times 4$,
Rear side $\times 6$
2. Remove the front panel.
a. screw ① $\times 3$
b. Hooks : Section (a) $\times 1$, Section (b) $\times 3$
- Note :
Double sided tape is set between the surfaces of the front panel and the panel base, therefore, apply a slight force when removing.
3. Remove the push joint from the switch (S101) of INPUT assy.
4. Remove the flat cable (c) from the connector (CN10) of INPUT assy.
5. Cut binder (AEC-093) holding the coiled flat cable (d) from the connector (CN7) of POWER AMP assy.
6. Remove the lead wire (e) from the HEADPHONE assy. (Screw ② $\times 1$)
7. Remove the rotary knob L (VOLUME) and the nut.
8. Remove the rotary knob S (REC SELECTOR) and the nut.
9. Remove the rotary knob M (INPUT SELECTOR) and the nut. (A-602 only)
10. Remove the screw ③ $\times 7$ from the top side of the panel base.
11. Remove the screw ④ $\times 2$ which fasten the panel stay and the panel base.
12. Push down the hook (f) $\times 2$ of the panel base, and free the panel base.

Note :

When installing the panel section, coil the flat cable and fasten with the binder.

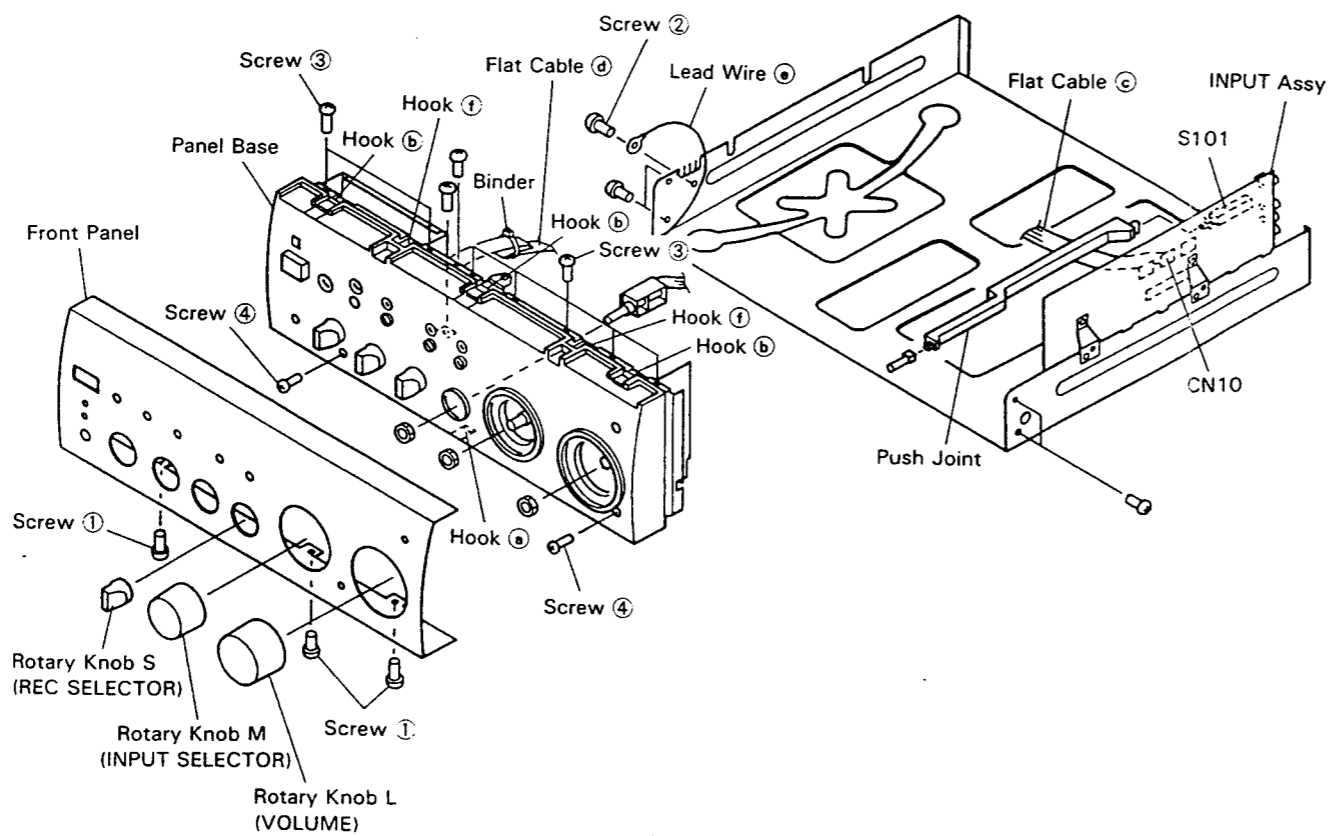
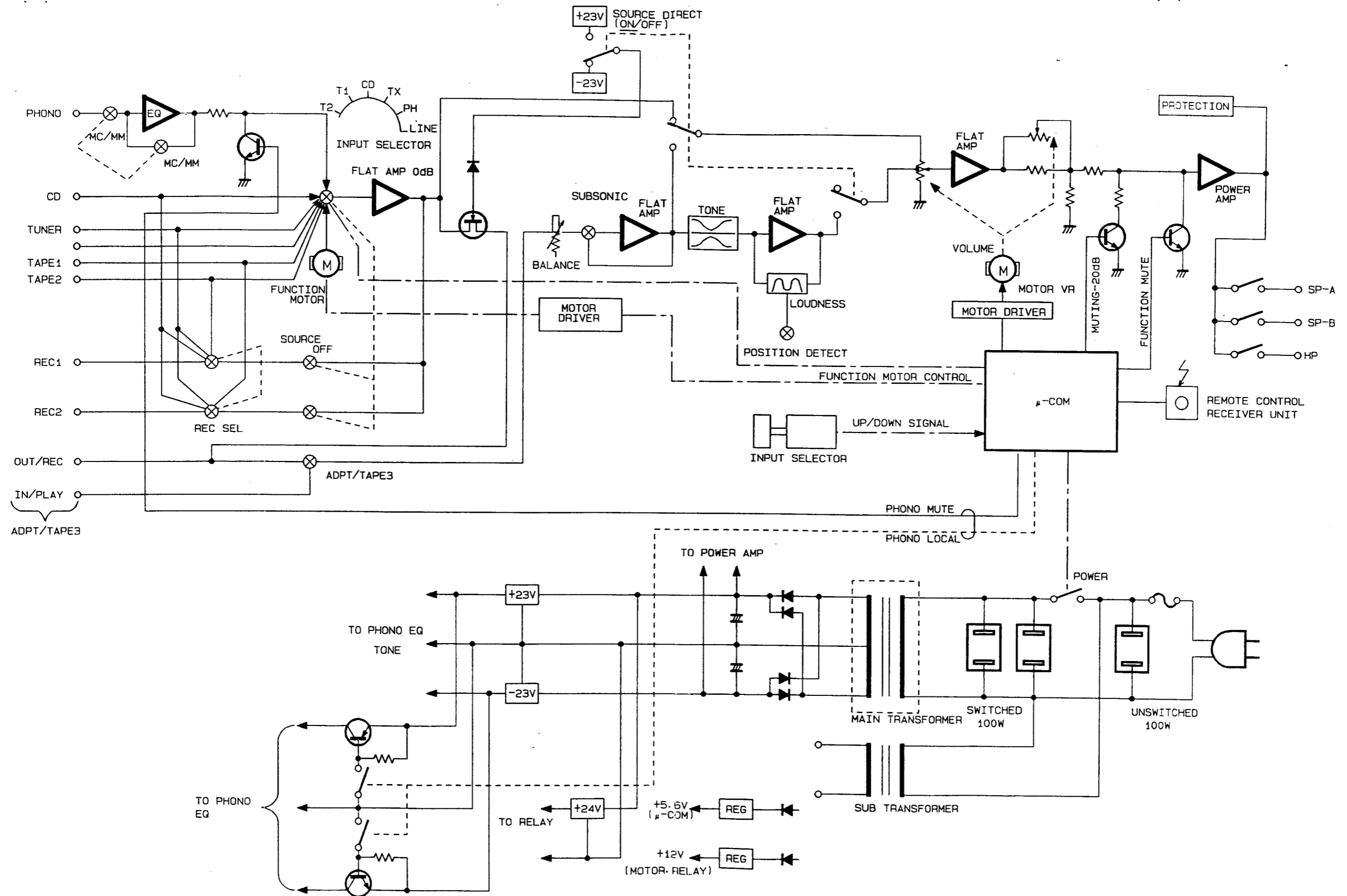
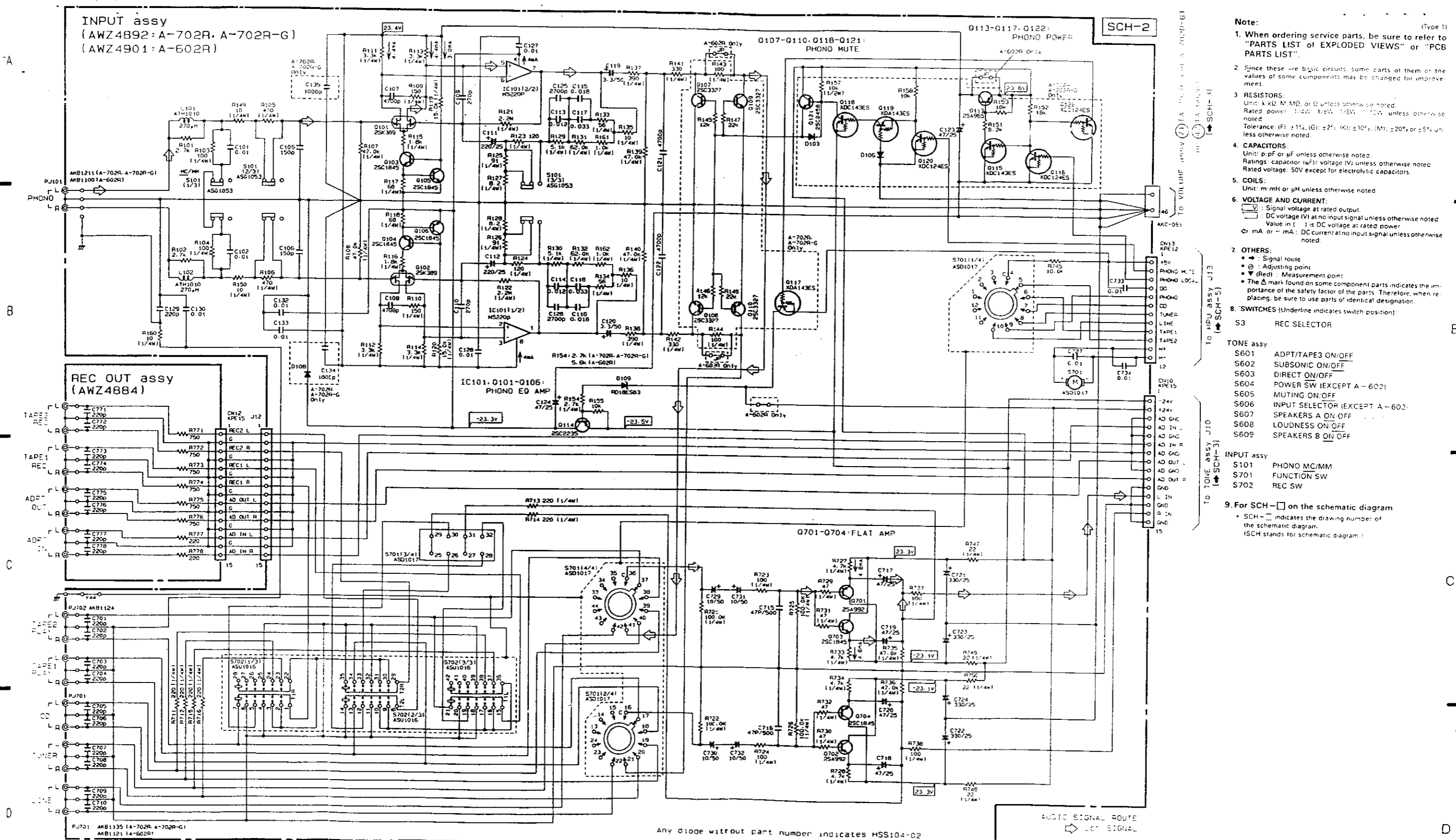


Fig. 2-1

3. BLOCK DIAGRAM



4.2 INPUT ASSY AND REC OUT ASSY



- Note:** (Type 1)
- When ordering service parts, be sure to refer to "PARTS LIST OF EXPLODED VIEWS" or "PCB PARTS LIST".
 - Since these are basic circuits, some parts of them or the values of some components may be changed for improvement.
 - RESISTORS:**
Unit: kΩ, MΩ, or Ω unless otherwise noted.
Rated power: 1/4W, 1/2W, 1/8W, 1/10W unless otherwise noted.
Tolerance: (F) ±1%, (G) ±2%, (K) ±10%, (M) ±20% or ±5% unless otherwise noted.
 - CAPACITORS:**
Unit: p, n, or μF unless otherwise noted.
Ratings: capacitor (μF) / voltage (V) unless otherwise noted.
Rated voltage: 50V except for electrolytic capacitors.
 - COILS:**
Unit: mH or μH unless otherwise noted.
 - VOLTAGE AND CURRENT:**
⊖: Signal voltage at rated output.
⊖: DC voltage (V) at no input signal unless otherwise noted.
⊖: Value in () is DC voltage at rated power.
⊖: mA or -mA: DC current at no input signal unless otherwise noted.
 - OTHERS:**
⊖: Signal route.
⊖: Adjusting point.
⊖ (Red): Measurement point.
⊖ (Δ): The Δ mark found on some component parts indicates the importance of the safety factor of the parts. Therefore, when replacing, be sure to use parts of identical designation.
 - SWITCHES** (Underline indicates switch position):
S3 REC SELECTOR
 - TONE ass'y**
S601 ADPT/TAPE3 ON/OFF
S602 SUBSONIC ON/OFF
S603 DIRECT ON/OFF
S604 POWER SW (EXCEPT A-602)
S605 MUTING ON/OFF
S606 INPUT SELECTOR (EXCEPT A-602)
S607 SPEAKERS A ON/OFF
S608 LOUDNESS ON/OFF
S609 SPEAKERS B ON/OFF
 - INPUT ass'y**
S101 PHONO MC/MM
S701 FUNCTION SW
S702 REC SW
9. For SCH-□ on the schematic diagram
 • SCH-□ indicates the drawing number of the schematic diagram.
 • ISCH stands for schematic diagram.

SCH-2

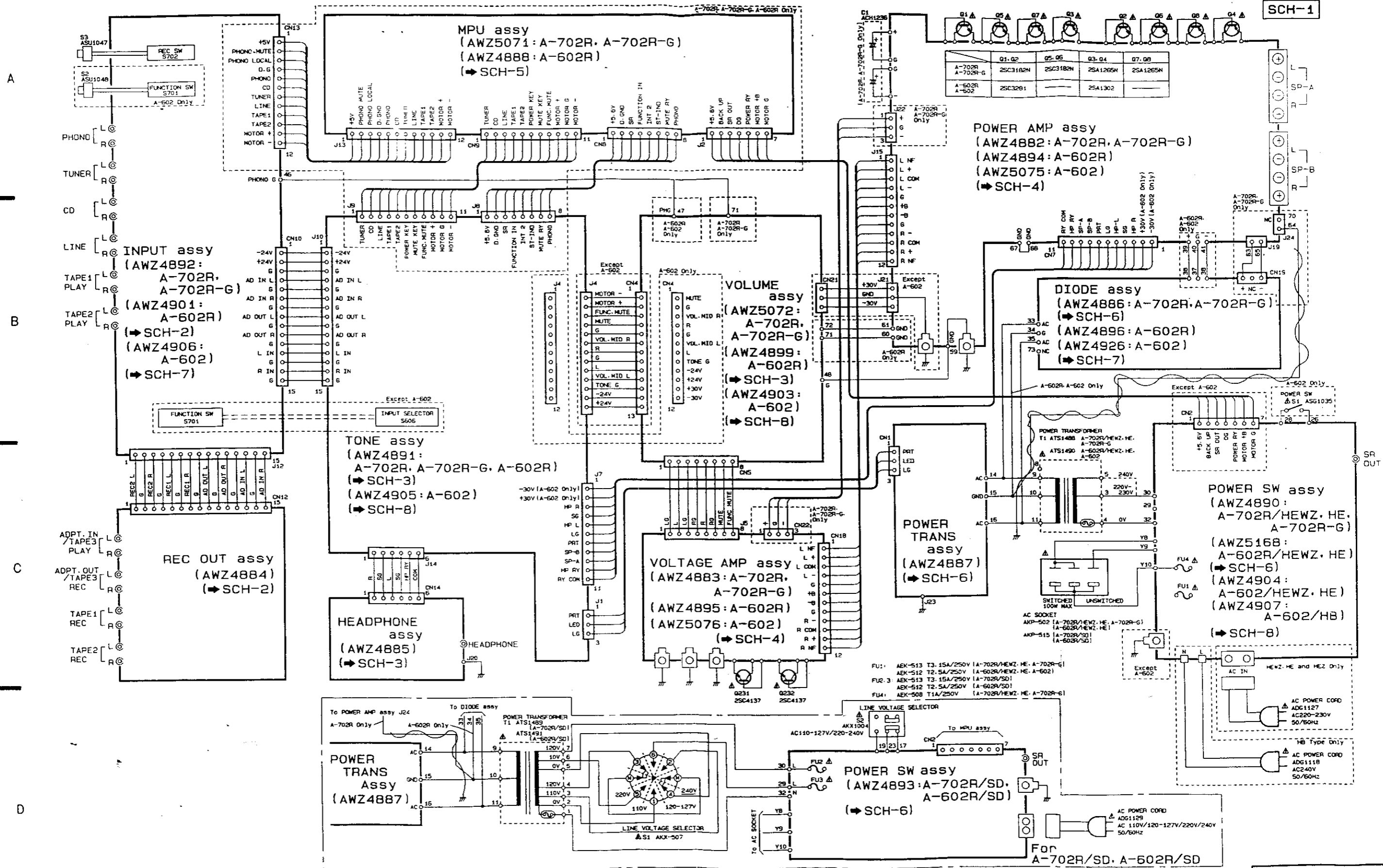
INPUT ASSY, REC OUT ASSY

SCH-2

INPUT ASSY, REC OUT ASSY

4. SCHEMATIC AND PCB CONNECTION DIAGRAMS

4.1 OVERALL SCHEMATIC DIAGRAM



SCH-1

OVERALL SCHEMATIC DIAGRAM

SCH-1

OVERALL SCHEMATIC DIAGRAM

POWER AMP assy

A-602 Only

Except A-602

A-602 Only

Except A-602

To VOLUME assy CN21

To TONE assy J7

To VOLUME assy CN5

To DIODE assy 36 37 38

To DIODE assy CN19

A-602R, A-602 Only

A-702R, A-702R-G Only

To VOLUME assy 72 71 48

This PCB connection diagram is viewed from the parts mounted side.

VOLTAGE AMP assy

Except A-702R, A-702R-G

Except A-702R, A-702R-G

Except A-702R, A-702R-G

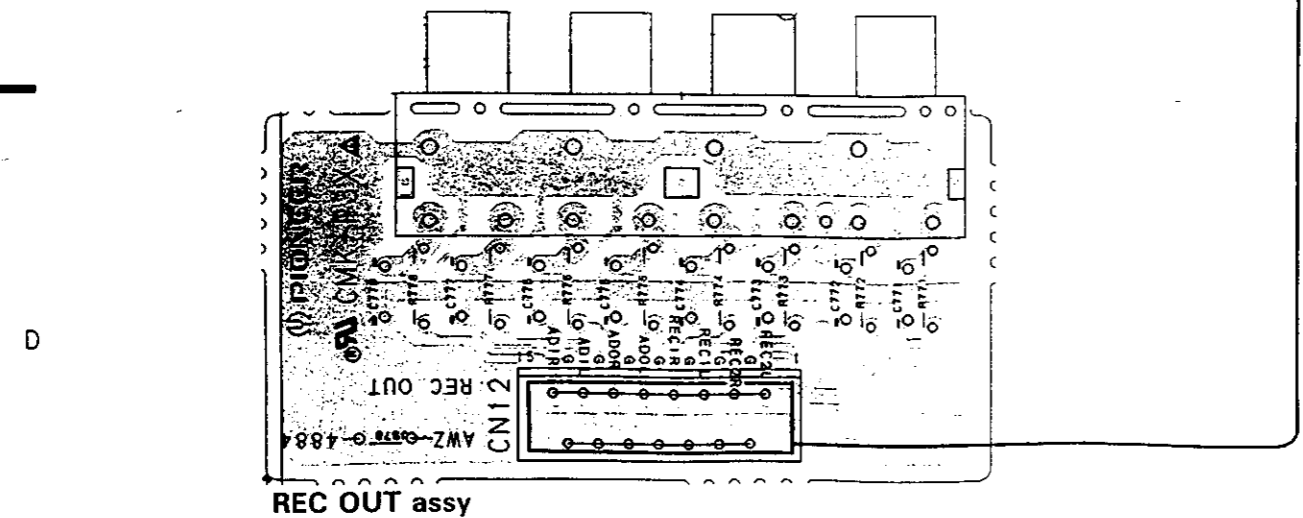
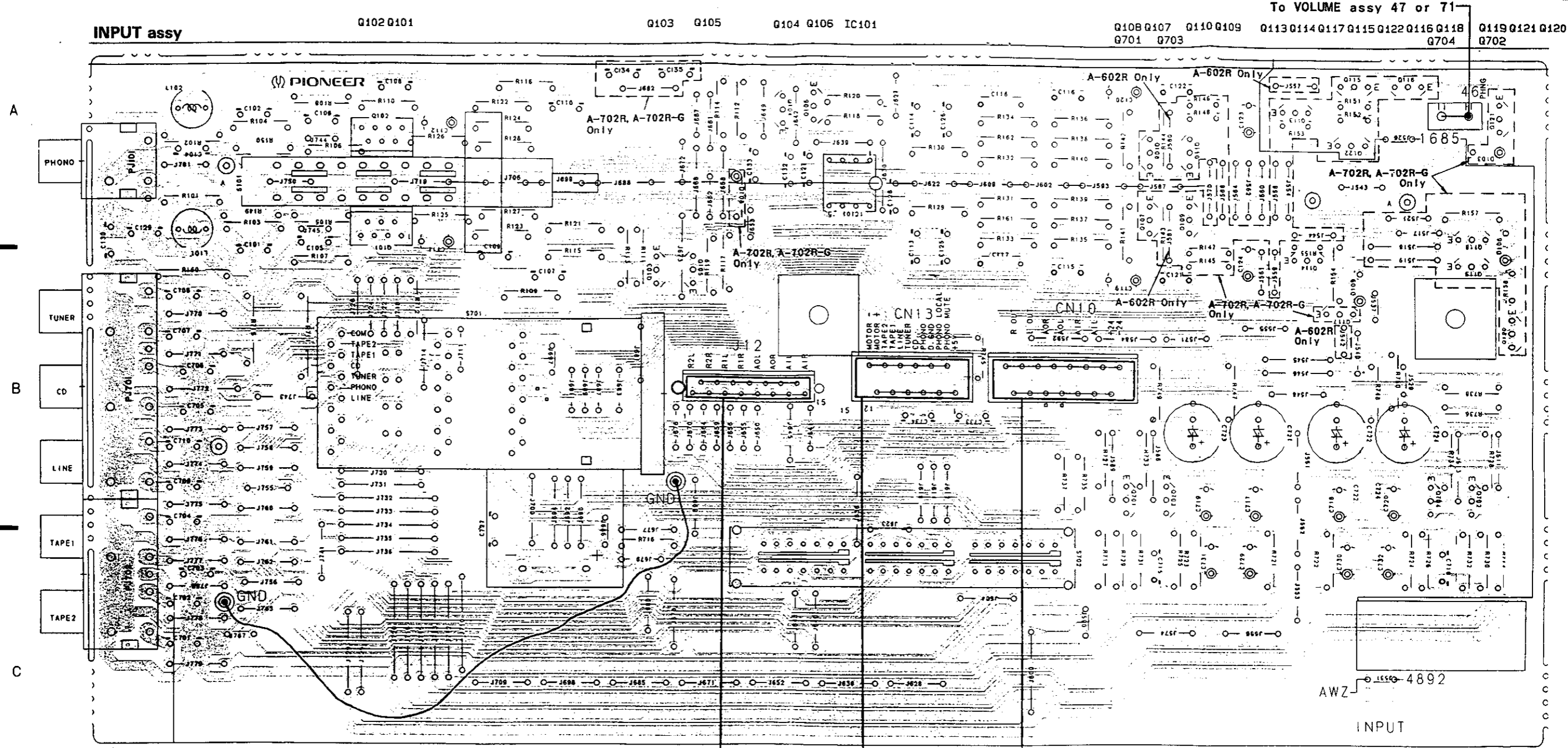
Except A-602 AWZ

CMK-P3X

VOLTAGE AMP.

- | | | | | | | | |
|--------------------------|----------------|--------------------------|-----------|-----------|---------------------|-----------|---------------------|
| VR201 | Q205 Q201 Q209 | Q213 Q231 Q221 Q249 Q217 | Q235 | VR204 | Q218 Q250 Q232 Q222 | VR202 | Q206 Q202 |
| Q245 Q247 Q207 Q203 Q211 | Q215 | Q223 Q251 Q219 | Q233 Q237 | Q236 Q238 | Q234 | Q214 Q210 | Q208 Q204 Q248 Q246 |

This PCB connection diagram is viewed from the parts mounted side.



- NOTE
1. This P.C.B. connection diagram is viewed from the parts mounted side.
 2. The parts which have been mounted on the board can be replaced with those shown with the corresponding wiring symbols listed in the following Table.
 3. The capacitor terminal marked with ⊖ (double circles) shows negative terminal.
 4. The diode terminal marked with ⊕ (double circles) shows cathode side.
 5. The transistor terminal to which E is affixed shows the emitter.

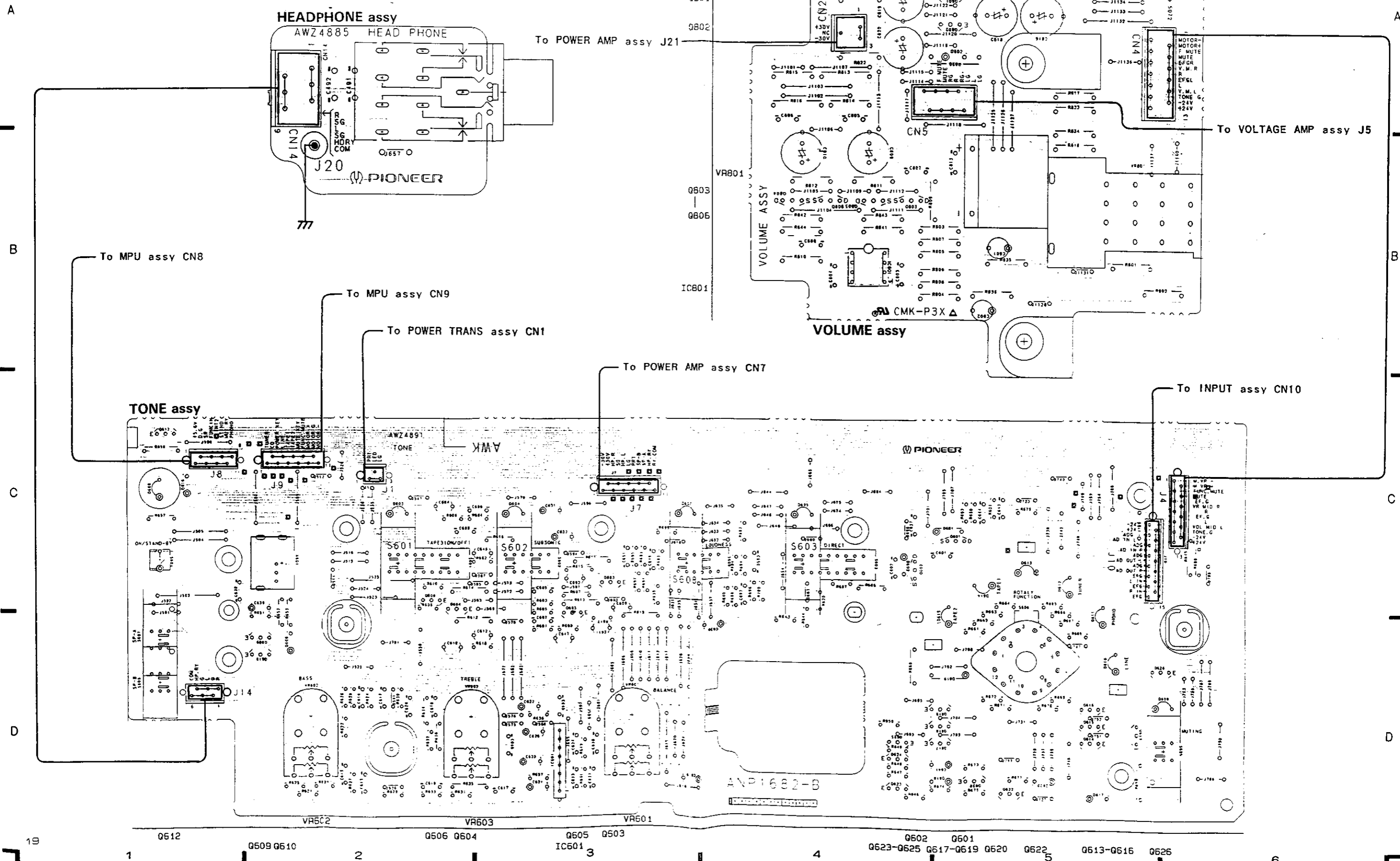
P.C.B. pattern diagram indication	Corresponding part symbol	Part Name	P.C.B. pattern diagram indication	Corresponding part symbol	Part Name
		Transistor			Resistor
		Radiator type transistor			Capacitor (Polarized)
		Diode			Capacitor (Non-polarized)

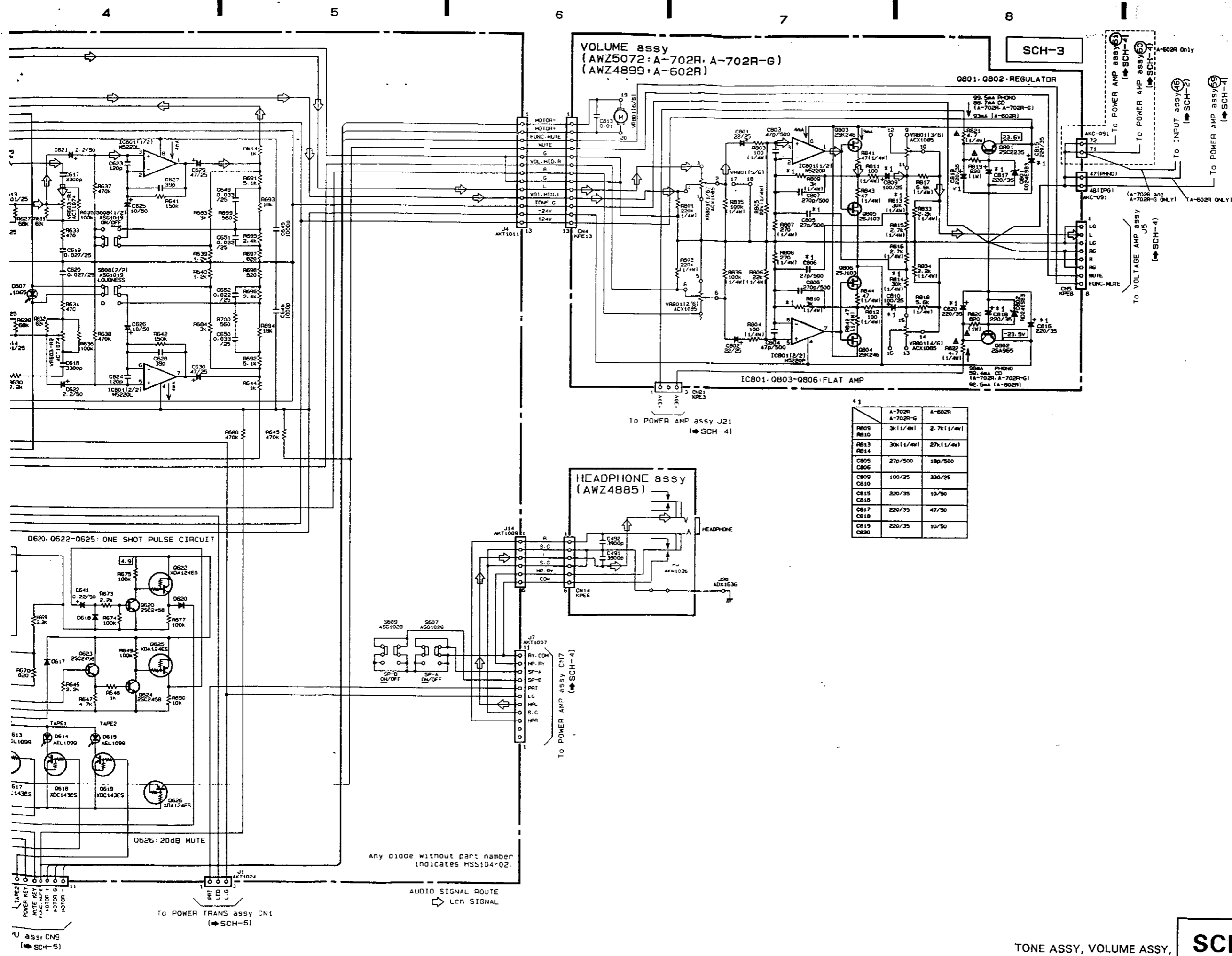
Others

P.C.B. pattern diagram indication	Part Name	P.C.B. pattern diagram indication	Part Name
IC	IC	L	Coil
S	Switch	F	Filter
RY	Relay	VR	Variable resistor or Semi-fixed resistor

4.3 TONE ASSY, VOLUME ASSY AND HEADPHONE ASSY

This PCB connection diagram is viewed from the parts mounted side.



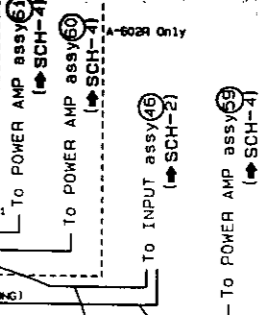


VOLUME assy
(AWZ5072:A-702R, A-702R-G)
(AWZ4899:A-602R)

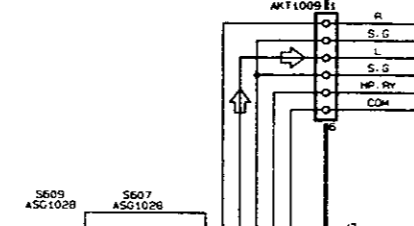
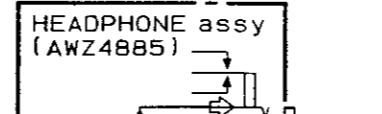
SCH-3

Q801, Q802: REGULATOR

IC801, Q803-Q806: FLAT AMP



Part No.	A-702R A-702R-G	A-602R
R809	3k(1/4W)	2.7k(1/4W)
R810	30k(1/4W)	27k(1/4W)
R813	270/500	180/500
R814	100/25	330/25
C805	220/35	10/50
C810	220/35	10/50
C815	220/35	10/50
C816	220/35	10/50
C817	220/35	10/50
C818	220/35	10/50
C819	220/35	10/50
C820	220/35	10/50



Q620, Q622-Q625: ONE SHOT PULSE CIRCUIT

Q626: 20dB MUTE

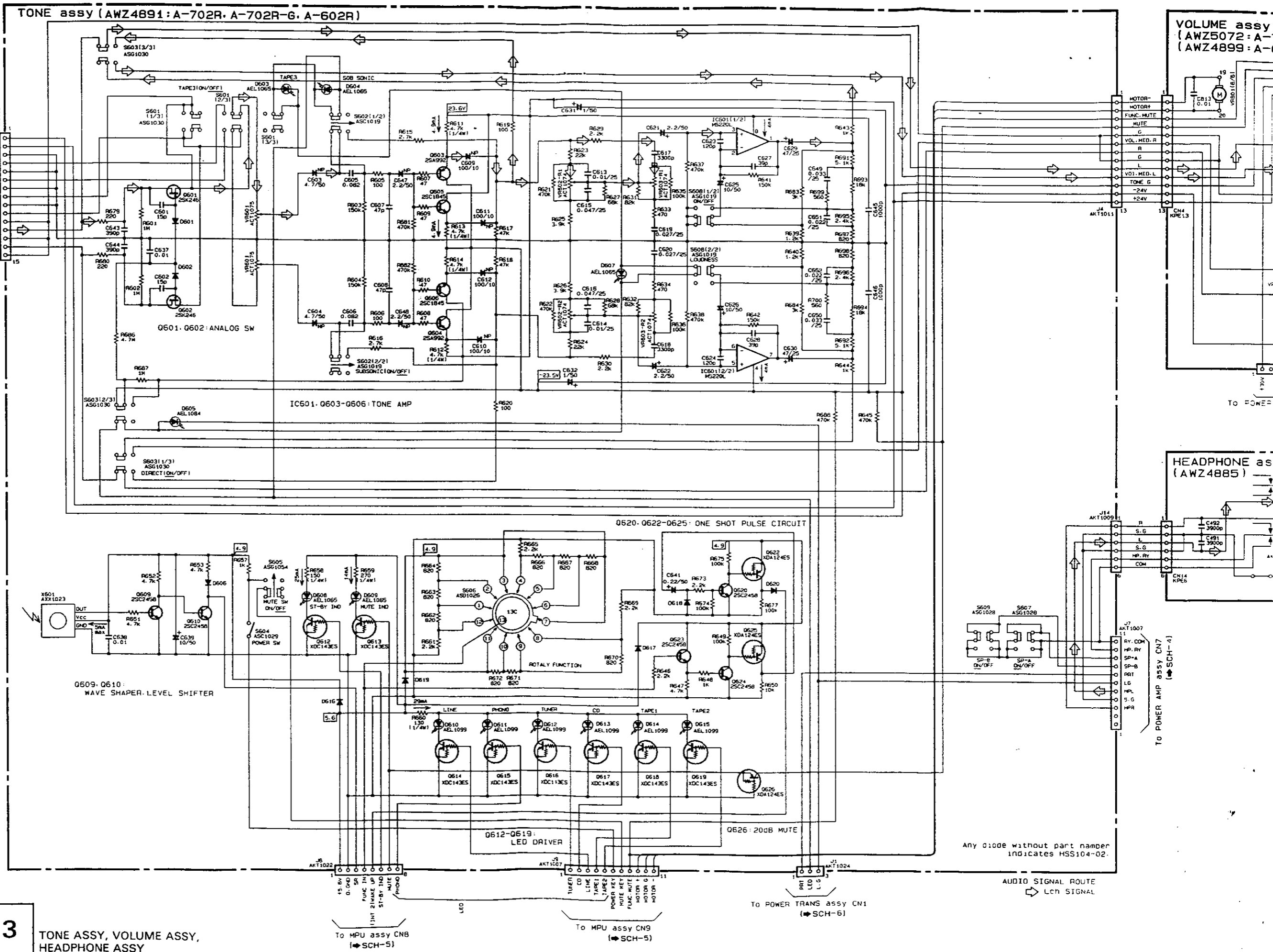
Any D1006 without part number indicates HSS104-02.

To POWER TRANS assy CN1
To POWER AMP assy J21
To POWER AMP assy J5
To INPUT assy J6
To POWER AMP assy J7

TO POWER AMP assy J21
TO POWER AMP assy J5
TO INPUT assy J6
TO POWER AMP assy J7
TO VOLTAGE AMP assy J8
MUTE
FUNC. MUTE

SCH-3

TO VOLTAGE AMP assy J8
MUTE
FUNC. MUTE

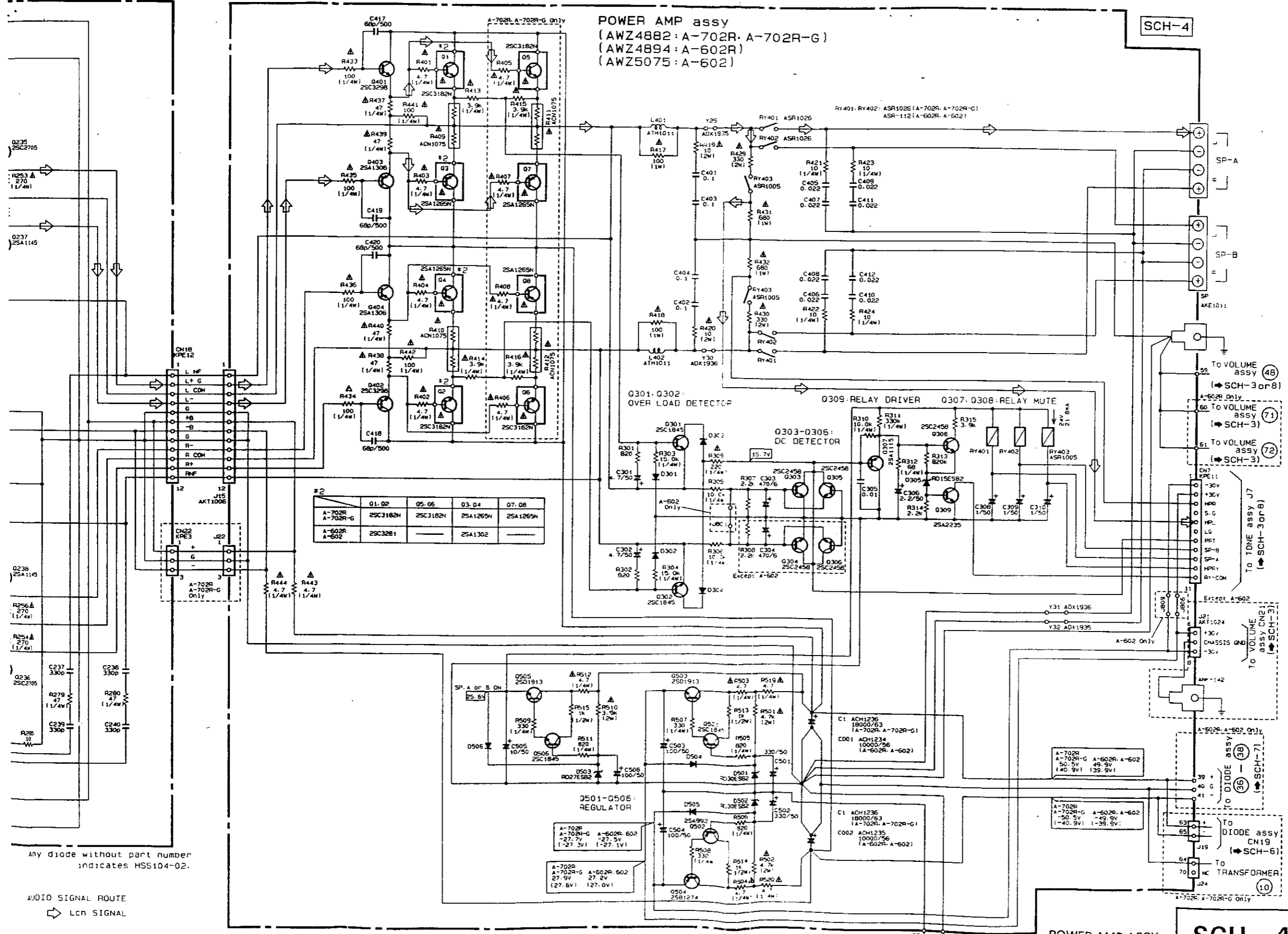


SCH-3

TONE ASSY, VOLUME ASSY,
HEADPHONE ASSY

POWER AMP assy
 (AWZ4882: A-702R, A-702R-G)
 (AWZ4894: A-602R)
 (AWZ5075: A-602)

SCH-4



#2	Q1-Q2	Q5-Q6	Q3-Q4	Q7-Q8
A-702R A-702R-G	2SC3182N	2SC3182N	2SA1265N	2SA1265N
A-602R A-602	2SC3298		2SA1302	

Q301-Q302: OVER LOAD DETECTOR

Q303-Q305: DC DETECTOR

Q309: RELAY DRIVER Q307, Q308: RELAY MUTE

Q501-Q505: REGULATOR

To VOLUME assy (48)
 (SCH-3 or 8)
 A-602R only
 To VOLUME assy (71)
 (SCH-3)
 To VOLUME assy (72)
 (SCH-3)

To TONE assy J7
 (SCH-3 or 8)

To VOLUME assy (71)
 (SCH-3)

To DIODE assy (38)
 (SCH-7)

To DIODE assy CN19
 (SCH-6)

To TRANSFORMER (10)

Any diode without part number indicates HSS104-02.

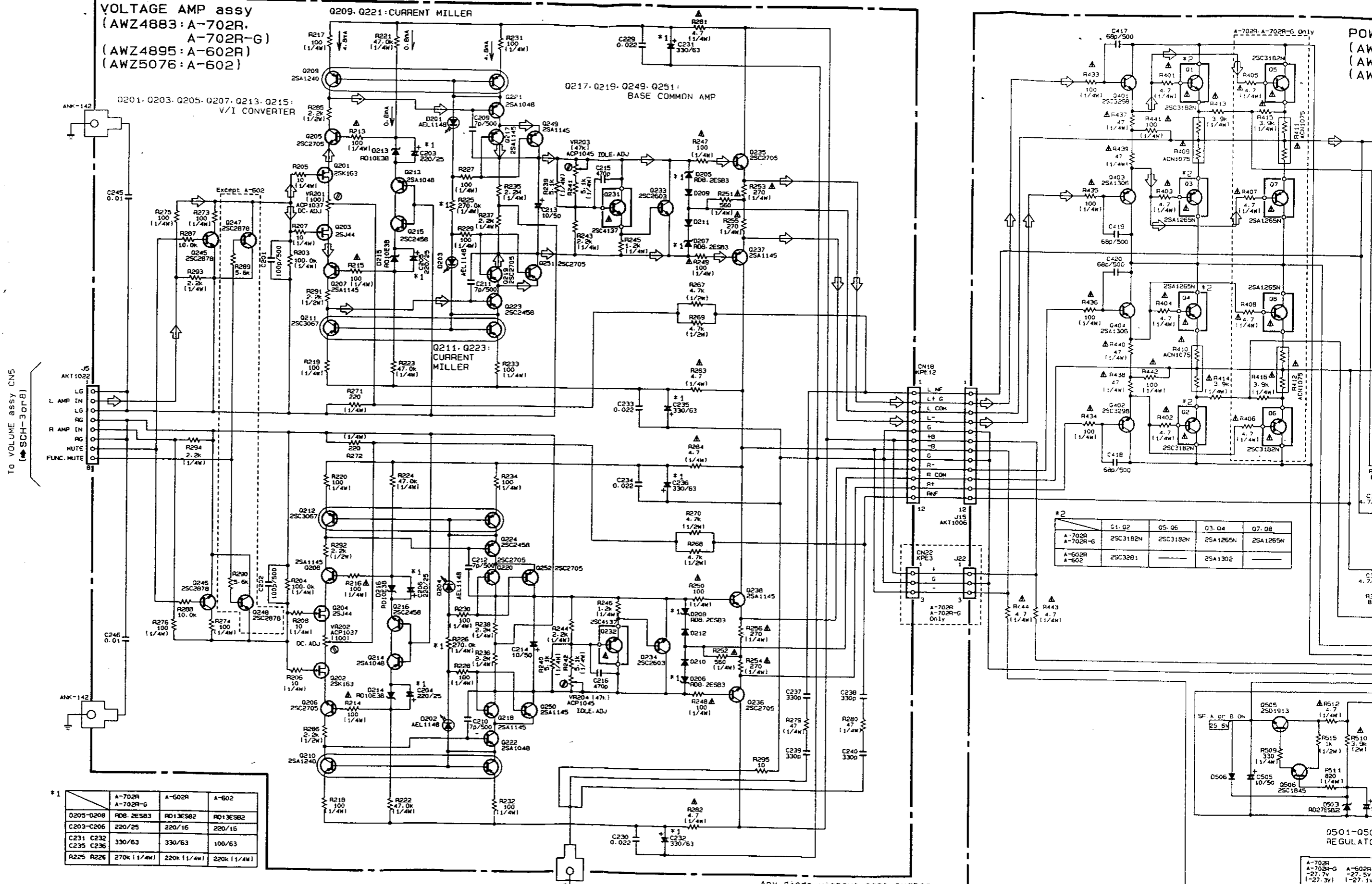
AUDIO SIGNAL ROUTE
 LCR SIGNAL

POWER AMP ASSY, VOLTAGE AMP ASSY

SCH-4

4.4 POWER AMP ASSY AND VOLTAGE AMP ASSY

VOLTAGE AMP assy
 (AWZ4883:A-702R,
 A-702R-G)
 (AWZ4895:A-602R)
 (AWZ5076:A-602)



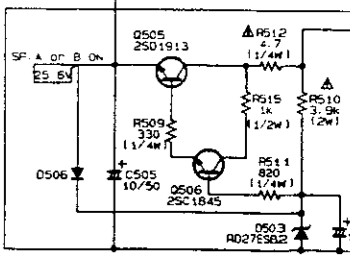
TO VOLUME ASSY CNS
 (SCH-30RB)

*1

	A-702R	A-602R	A-602
Q205-Q208	RDB. 2ESB3	RD13ESB2	RD13ESB2
C203-C206	220/25	220/16	220/16
C231 C232	330/63	330/63	100/63
C235 C236			
R225 R226	270k (1/4W)	220k (1/4W)	220k (1/4W)

*2

	C1-Q2	Q5-Q6	Q3-Q4	Q7-Q8
A-702R	2SC3182N	2SC3182N	2SA1265N	2SA1265N
A-702R-G				
A-602R	2SC3281		2SA1302	
A-602				



Any diode without part number indicates HSS104-02.

AUDIO SIGNAL ROUTE
 Lch SIGNAL

SCH-4

POWER AMP ASSY, VOLTAGE AMP ASSY

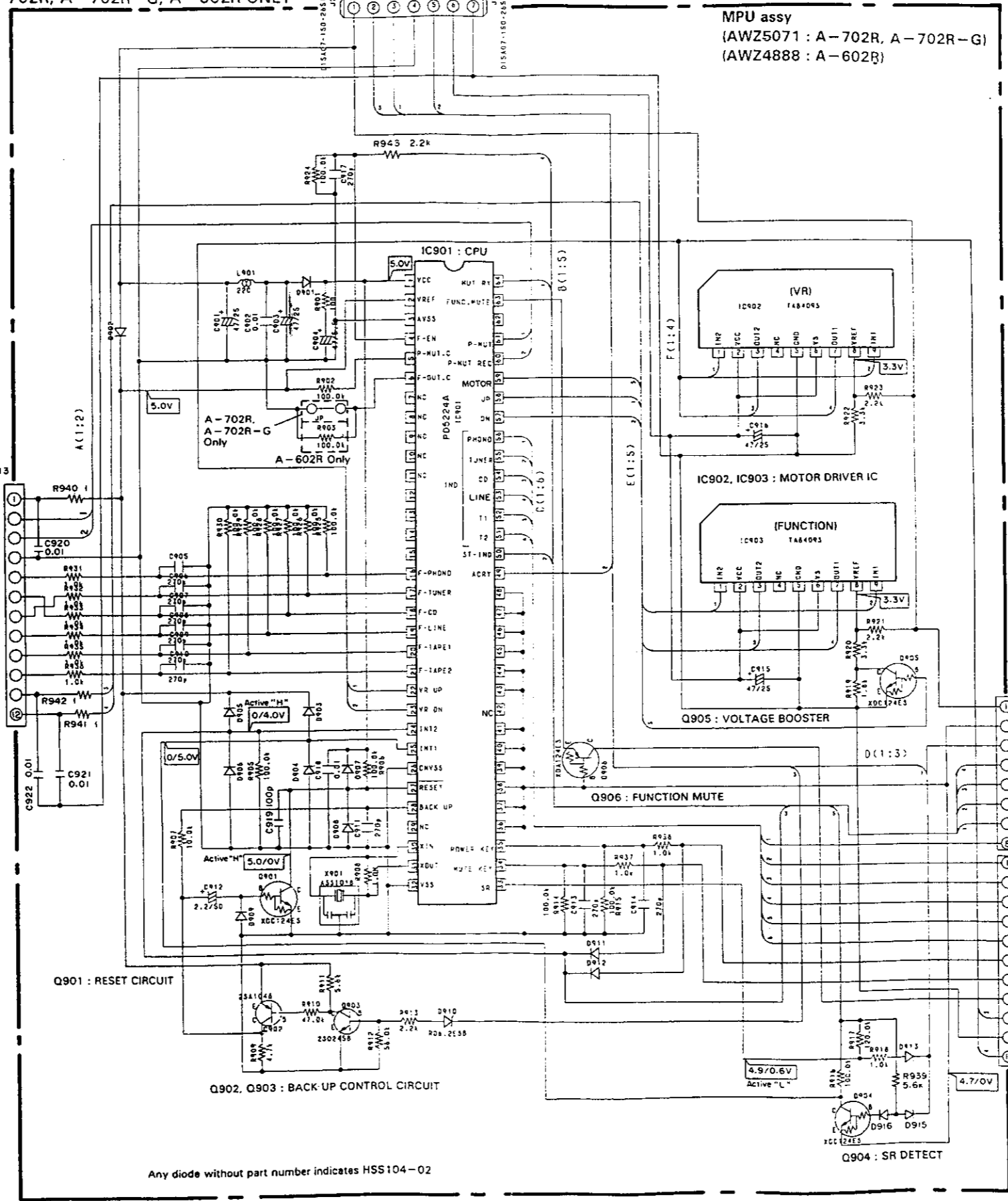
To POWER SW assy CN2 (SCH-6)

SCH-5

A-702R, A-702R-G, A-602R ONLY

MPU assy
(AWZ5071 : A-702R, A-702R-G)
(AWZ4888 : A-602R)

To INPUT assy CN13 (SCH-2 or 7)



Any diode without part number indicates HSS104-02

To TONE assy J8 (SCH-3 or 8)

To TONE assy J9 (SCH-3 or 8)

SCH-5

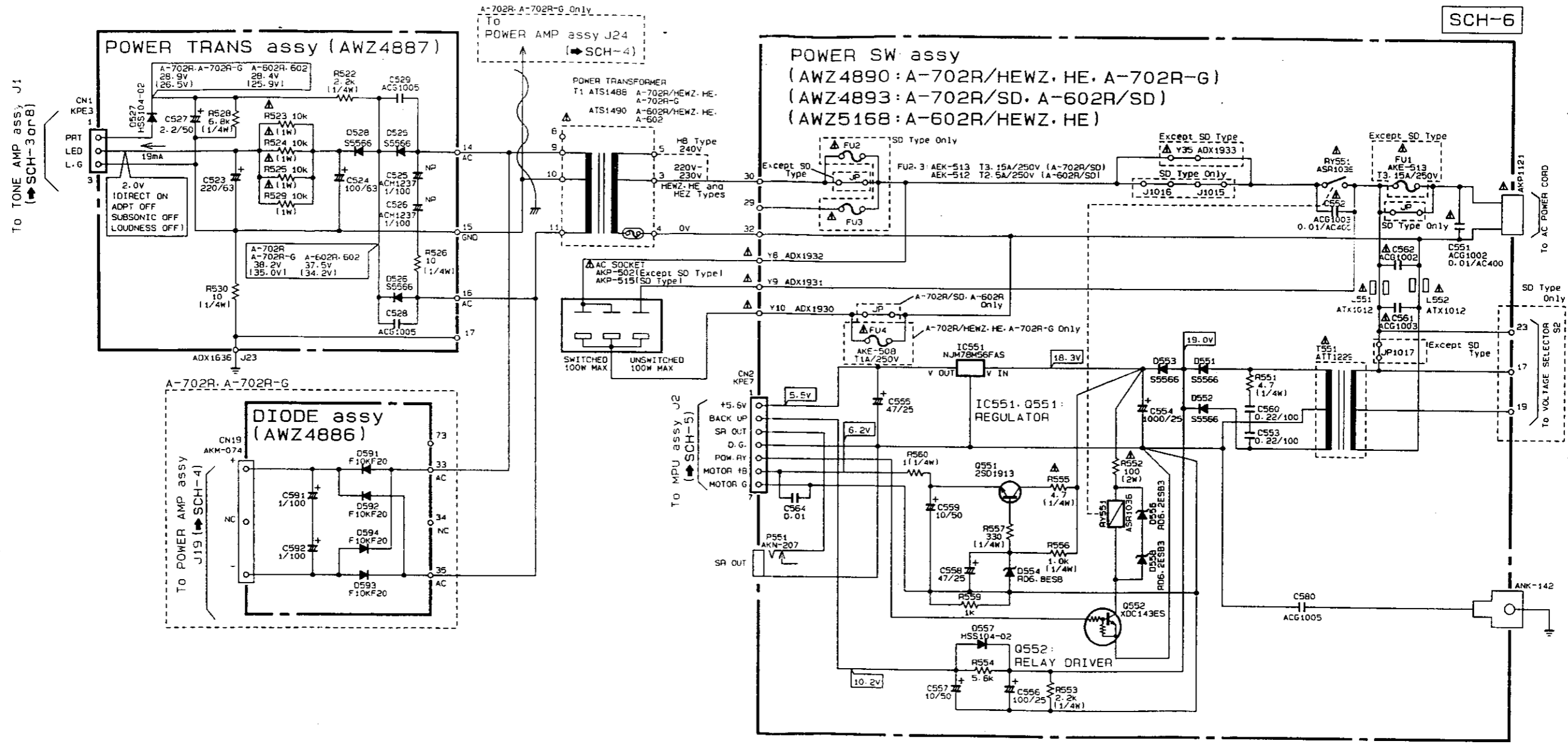
MPU ASSY

SCH-5

MPU ASSY

34

4.6 POWER SW ASSY, POWER TRANS ASSY AND DIODE ASSY



Line Voltage Selection

Line voltage can be changed with the following steps.

1. Disconnect the AC Power cord.
2. Remove the top cover.
3. Change the connection with the power transformer (T1) primary taps.
4. Stick the line voltage label on the rear panel.

Part No.	Description
AAX-193	220V label
AAX-192	240V label

SCH-6

POWER SW ASSY, POWER TRANS ASSY, DIODE ASSY

POWER SW ASSY, POWER TRANS ASSY, DIODE ASSY

SCH-6

7. FOR A-702R/HE, SD, A-702R-G/HEZ, A-602R/HEWZ, HE, SD, A-602/HEWZ, HE AND HB

NOTES:

- Parts marked by "NSP" are generally unavailable because they are not in our Master Spare Parts List.
- The Δ mark found on some component parts indicates the importance of the safety factor of the part. Therefore, when replacing, be sure to use parts of identical designation.
- Parts marked by "⊙" are not always kept in stock. Their delivery time may be longer than usual or they may be unavailable.

7.1 CONTRAST OF MISCELLANEOUS PARTS

A-702R/HE, SD, A-702R-G/HEZ, A-602R/HEWZ, HE, SD, A-602/HEWZ, HE, HB and A-702R/HEWZ have the same construction except for the following :

Mark	Symbol & Description	Part No.										Remarks
		A-702R			A-702R-G	A-602R			A-602			
		HEWZ	HE	SD	HEZ	HEWZ	HE	SD	HEWZ	HE	HB	
NSP	AF assy	AWK1684	AWK1684	AWK1686	AWK1684	AWK1687	AWK1687	AWK1689	AWK1690	AWK1690	AWK1692	
	POWER AMP assy	AWZ4882	AWZ4882	AWZ4882	AWZ4882	AWZ4894	AWZ4894	AWZ4894	AWZ5075	AWZ5075	AWZ5075	
	VOLTAGE AMP assy	AWZ4883	AWZ4883	AWZ4883	AWZ4883	AWZ4895	AWZ4895	AWZ4895	AWZ5076	AWZ5076	AWZ5076	
	DIODE assy	AWZ4886	AWZ4886	AWZ4886	AWZ4886	AWZ4896	AWZ4896	AWZ4896	AWZ4926	AWZ4926	AWZ4926	
	POWER SW assy	AWZ4890	AWZ4890	AWZ4890	AWZ5168	AWZ5168	AWZ4904	AWZ4904	
NSP	POWER SW assy	AWZ4893	AWZ4893	AWZ4907	
	VOLUME assy	AWZ4903	AWZ4903	AWZ4903	AWZ4903	
NSP	INPUT assy	AWK1685	AWK1685	AWK1685	AWK1685	AWK1688	AWK1688	AWK1688	AWK1691	AWK1691	AWK1691	
	tone assy	AWZ4891	AWZ4891	AWZ4891	AWZ4891	AWZ4891	AWZ4891	AWZ4891	AWZ4905	AWZ4905	AWZ4905	
	INPUT assy	AWZ4892	AWZ4892	AWZ4892	AWZ4892	AWZ4901	AWZ4901	AWZ4901	AWZ4906	AWZ4906	AWZ4906	
NSP	COMPLEX CONTROL assy	AWP1050	AWP1050	AWP1050	AWP1050	AWP1047	AWP1047	AWP1047	
	MPU assy	AWZ5071	AWZ5071	AWZ5071	AWZ5071	AWZ4888	AWZ4888	AWZ4888	
	VOLUME assy	AWZ5072	AWZ5072	AWZ5072	AWZ5072	AWZ4899	AWZ4899	AWZ4899	
Δ	Q1, Q2	2SC3182N	2SC3182N	2SC3182N	2SC3182N	2SC3281	2SC3281	2SC3281	2SC3281	2SC3281	2SC3281	
Δ	Q5, Q6	2SC3182N	2SC3182N	2SC3182N	2SC3182N	
Δ	Q3, Q4	2SA1265N	2SA1265N	2SA1265N	2SA1265N	2SA1302	2SA1302	2SA1302	2SA1302	2SA1302	2SA1302	
Δ	Q7, Q8	2SA1265N	2SA1265N	2SA1265N	2SA1265N	
Δ	S1 Voltage selector (AC110V/120-127V/220V/240V)	AKX-507	AKX-507	Refer to page 4.
Δ	S2 Voltage selector (AC110-127V/220V-240V)	AKX1004	AKX1004	Refer to page 4.
Δ	S1 (Power switch)	ASG1035	ASG1035	ASG1035	Refer to page 4.
Δ	S2 (Input selector)	ASU1048	ASU1048	ASU1048	Refer to page 4.
Δ	T1 Power transformer (AC220-230V/240V)	ATS1488	ATS1488	ATS1488	ATS1490	ATS1490	ATS1490	ATS1490	ATS1490	
Δ	T1 Power transformer (AC110V/120-127V/220V/240V)	ATS1489	ATS1491	
Δ	C1 (18000 μ /63V)	ACH1236	ACH1236	ACH1236	ACH1236	
Δ	FU1 Fuse (T3.15A/250V)	AEK-513	AEK-513	AEK-513	
Δ	FU1 Fuse (T2.5A/250V)	AEK-512	AEK-512	AEK-512	AEK-512	AEK-512	
Δ	FU2, FU3 Fuse (T3.15A/250V)	AEK-513	Refer to page 3.
Δ	FU2, FU3 Fuse (T2.5A/250V)	AEK-512	Refer to page 3.
Δ	FU4 Fuse (T1A/250V)	AEK-508	AEK-508	AEK-508	
Δ	AC socket 3-P	AKP-502	AKP-502	AKP-515	AKP-502	AKP-502	AKP-502	AKP-515	
Δ	AC power cord Strain relief	ADG1127	ADG1127	ADG1129	ADG1127	ADG1127	ADG1127	ADG1129	ADG1127	ADG1127	ADG1118	For AC power cord
		AEC-882	

A-702R, A-702R-G, A-602R, A-602

Mark	Symbol & Description	Part No.									Remarks	
		A-702R			A-702R-G	A-602R			A-602			
		HEWZ	HE	SD	HEZ	HEWZ	HE	SD	HEWZ	HE		HB
	Rear panel	ANC2080	ANC2080	ANC2081	ANC2080	ANC2080	ANC2080	ANC2081	ANC2079	ANC2079	ANC2082	
	Name plate	AAM1058	AAM1058	AAM1058	AAM1059	AAM1058	AAM1058	AAM1058	AAM1058	AAM1058	AAM1058	
	Rotary knob M	AAB1344	AAB1344	AAB1344	AAB1346	AAB1344	AAB1344	AAB1344	AAB1345	AAB1345	AAB1345	
	Rotary knob L	AAB1347	AAB1347	AAB1347	AAB1348	AAB1347	AAB1347	AAB1347	AAB1347	AAB1347	AAB1347	
	Rotary knob S	AAB1367	AAB1367	AAB1367	AAB1368	AAB1367	AAB1367	AAB1367	AAB1367	AAB1367	AAB1367	
	Push knob A	AAD2430	AAD2430	AAD2430	AAD2431	AAD2430	AAD2430	AAD2430	AAD2430	AAD2430	AAD2430	
	Push knob B	AAD2432	AAD2432	AAD2432	AAD2433	AAD2432	AAD2432	AAD2432	AAD2432	AAD2432	AAD2432	
	Power knob	AAD2434	AAD2434	AAD2434	AAD2435	AAD2434	AAD2434	AAD2434	AAD2434	AAD2434	AAD2434	
	Bonnet	ANE1427	ANE1427	ANE1427	ANE1428	ANE1427	ANE1427	ANE1427	ANE1427	ANE1427	ANE1429*1	
	Top cover	AME1086	*3
	Screw	BPZ26P080FMC	*2
NSP	Screw	FBT40P060FZK	FBT40P060FZK	FBT40P060FZK	FBT40P060FNI	FBT40P060FZK	FBT40P060FZK	FBT40P060FZK	FBT40P060FZK	FBT40P060FZK	FBT40P060FZK	For Bonnet
	Heat sink	ANH1434	ANH1434	ANH1434	ANH1434	ANH1435	ANH1435	ANH1435	ANH1435	ANH1435	ANH1435	
NSP	Transistor cover L	ANG1724	ANG1724	ANG1724	ANG1724	
	Trans base	ANG1848	ANG1848	ANG1848	ANG1848	
NSP	Shield plate A	ANK1244	ANK1244	ANK1244	ANK1244	ANK1244	ANK1244	ANK1244	
NSP	Diode shield	ANK1246	ANK1246	ANK1246	ANK1246	
	Panel base	AMB2136	AMB2136	AMB2136	AMB2137	AMB2136	AMB2136	AMB2136	AMB2138	AMB2138	AMB2138	
	Front panel	ANB1552	ANB1552	ANB1552	ANB1555	ANB1553	ANB1553	ANB1553	ANB1554	ANB1554	ANB1554	
NSP	PCB support	AEC1006	AEC1006	AEC1006	AEC1006	AEC1006	AEC1006	AEC1006	
	Leg assy	AMR2590	AMR2590	AMR2590	AMR2590	AMR2414	AMR2414	AMR2414	AMR2414	AMR2414	AMR2414	
NSP	Shield plate	AEC1533	AEC1533	AEC1533	AEC1533	
NSP	Shield plate D	AEC1539	AEC1539	
	Remote sensor window	AAK2457	AAK2457	AAK2457	AAK2457	AAK2457	AAK2457	AAK2457	
	Function lens	AAK2458	AAK2458	AAK2458	AAK2458	AAK2458	AAK2458	AAK2458	
	Operating instructions (German)	ARC1420	ARC1420	ARC1419	
	Operating instructions (English, French, German, Italian Dutch, Swedish, Spanish, Portuguese)	ARE1277	ARE1277	ARE1277	ARE1276	
	Operating instructions (English)	ARB1427	ARB1427	ARB1440	
	Operating instructions (Spanish)	ARC1421	ARB1421	
	Remote control unit (CU-A005)	AXD1354	AXD1354	AXD1354	AXD1354	AXD1354	AXD1354	
	Remote control unit (CU-A007)	AXD1355	
	Battery cover	AZA1375	AZA1375	AZA1375	AZN2243	AZA1375	AZA1375	AZA1375	
NSP	Battery (R03, AAA)	AEX-021	AEX-021	AEX-021	AEX-021	AEX-021	AEX-021	AEX-021	
	Packing case	AHD2534	AHD2534	AHD2537	AHD2535	AHD2532	AHD2532	AHD2536	AHD2531	AHD2531	AHD2547	
	Sub pad	AHB1106	*4
NSP	Air cap	AHG1087	*5

Note) *1-~*5 : Refer to "Fig. 7-1".

List of PCB assemblies for A-602

- AF assy
- POWER AMP assy
- VOLTAGE AMP assy
- REC OUT assy
- DIODE assy
- POWER TRANS assy
- POWER SW assy
- VOLUME assy

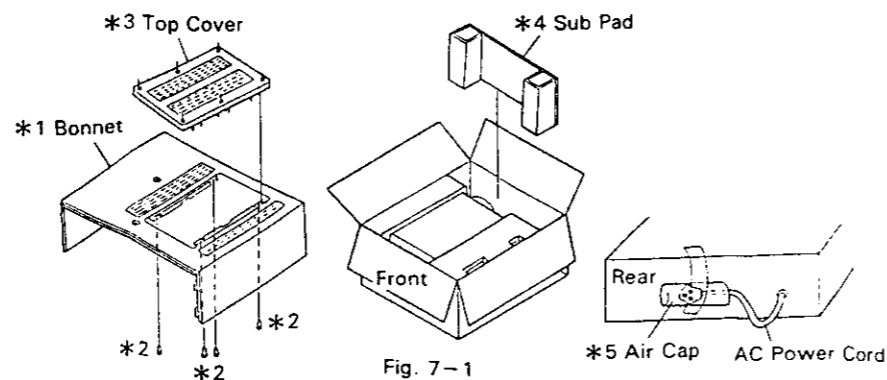


Fig. 7-1

VOLUME ASSY

AWZ4899, AWZ4903 and AWZ5072 have the same construction except for the following :

Mark	Symbol & Description	Part No.			Remarks
		AWZ5072	AWZ4899	AWZ4903	
	IC801	M5220P	M5220P	M5220L	
	C803, C804	CCCSL470K500	CCCSL470K500	CCCSL470J50	
	C805	CCCSL270K500	CCCSL180K500	CCCSL470K500	
	C806	CCCSL270K500	CCCSL180K500	CCCSL180K500	
	C809, C810	CEEA101M25	CEEA331M25	CEEA331M25	
	C813	CKCYF103Z50	CKCYF103Z50	
	C815, C816, C819, C820	CEAS221M35	CEAS100M50	CEAS100M50	
	C817, C818	CEAS221M35	CEAS470M50	CEAS470M50	
	VR801 (20kΩ × 2, 30kΩ × 2 with motor)	ACX1085	ACX1085	
	VR801 (20kΩ × 2, 30kΩ × 2)	ACT1076	
	R801, R802	RD1/4PM224J	RD1/4PM224J	RD1/8PM224J	
	R803, R804, R811, R812	RD1/4PM101J	RD1/4PM101J	RD1/8PM101J	
	R805, R806	RD1/4PM223J	RD1/4PM223J	RD1/8PM223J	
	R807, R808	RD1/4PM271J	RD1/4PM271J	RD1/8PM271J	
	R809, R810	RD1/4PM302J	RD1/4PM272J	RD1/8PM272J	
	R813, R814	RD1/4PM303J	RD1/4PM273J	RD1/8PM273J	
	R815, R816	RD1/4PM272J	RD1/4PM272J	RD1/8PM272J	
	R817, R818	RD1/4PM562J	RD1/4PM562J	RD1/8PM562J	
	R833, R834	RD1/4PM222J	RD1/4PM222J	RD1/8PM222J	
	R835, R836	RD1/4PM104J	RD1/4PM104J	RD1/8PM104J	
	R841 - R844	RD1/4PM470J	RD1/4PM470J	RD1/8PM470J	
	CN4	KPE13	KPE13	KPE12	
	CN21	KPE3	KPE3	

POWER AMP ASSY

AWZ4894, AWZ5075 and AWZ4882 have the same construction except for the following :

Mark	Symbol & Description	Part No.			Remarks
		AWZ4882	AWZ4894	AWZ5075	
	Q304, Q306	2SC2458	2SC2458	
	RY401, RY402	ASR1026	ASR-112	ASR-112	
	C1 (10000μ/56V)	ACH1234	ACH1234	
	C2 (10000μ/56V)	ACH1235	ACH1235	
	C304	CEAS471M6	CEAS471M6	
	R308	RD1/8PM222J	RD1/8PM222J	
△	R405 - R408	RFA1/4PS4R7J	
△	R411, R412 (0.22, 5W)	ACN1075	
△	R415, R416	RD1/4PMFL392J	

POWER SW ASSY

AWZ4893, AWZ5168, AWZ4904, AWZ4907 and AWZ4890 have the same construction except for the following :

Mark	Symbol & Description	Part No.					Remarks
		AWZ4890	AWZ4893	AWZ5168	AWZ4904	AWZ4907	
	IC551	NJM78M56FAS	NJM78M56FAS	NJM78M56FAS	
	Q551	2SD1913	2SD1913	2SD1913	
	Q552	XDC143ES	XDC143ES	XDC143ES	
	D551 - D553	S5566	S5566	S5566	
	D554	RD6.8ESB	RD6.8ESB	RD6.8ESB	
	D556, D558	RD6.2ESB3	RD6.2ESB3	RD6.2ESB3	
	D557	HSS104-02	HSS104-02	HSS104-02	
△	RY551	ASR1036	ASR1036	ASR1036	
△	L551, L552	ATX1012	ATX1012	ATX1012	
△	T551	ATT1229	ATT1229	ATT1229	
	C553, C560	COMXA224J100	COMXA224J100	COMXA224J100	
	C554	CEAS102M25	CEAS102M25	CEAS102M25	
	C555, C558	CEAS470M25	CEAS470M25	CEAS470M25	
	C556	CEAS101M25	CEAS101M25	CEAS101M25	
	C557, C559	CEAS100M50	CEAS100M50	CEAS100M50	
△	C561 (0.01/400V)	ACG1003	ACG1003	ACG1003	
△	C562 (0.01/400V)	ACG1002	ACG1002	ACG1002	
	C564	CKCYF103Z50	CKCYF103Z50	CKCYF103Z50	
	C580 (0.01/150V)	ACG1005	ACG1005	ACG1005	
△	R551	RD1/4PM470J	RD1/4PM470J	RD1/4PM470J	
△	R552	RS2LMF101J	RS2LMF101J	RS2LMF101J	
	R553	RD1/4PM222J	RD1/4PM222J	RD1/4PM222J	
	R554	RD1/8PM562J	RD1/8PM562J	RD1/8PM562J	
△	R555	RFA1/4PS4R7J	RFA1/4PS4R7J	RFA1/4PS4R7J	
	R556	RD1/4PM102J	RD1/4PM102J	RD1/4PM102J	
	R557	RD1/4PM331J	RD1/4PM331J	RD1/4PM331J	
	R559	RD1/8PM102J	RD1/8PM102J	RD1/8PM102J	
	R560	RD1/4PM010J	RD1/4PM010J	RD1/4PM010J	
	Mini jack	AKN-207	AKN-207	AKN-207	
	CN2	KPE7	KPE7	KPE7	
△	AC Inlet (1P)	AKP1121	AKP1121	AKP1121	AKP1121	

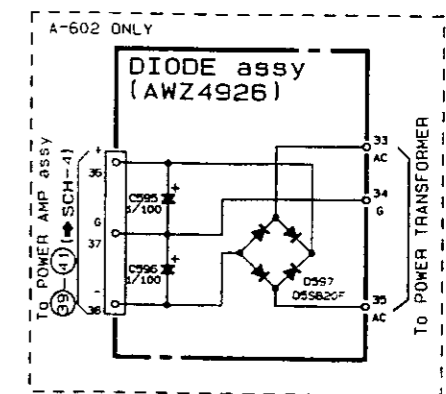
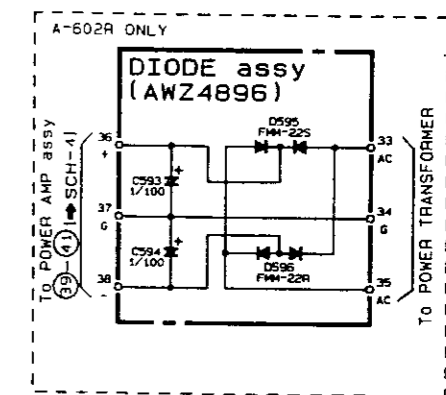
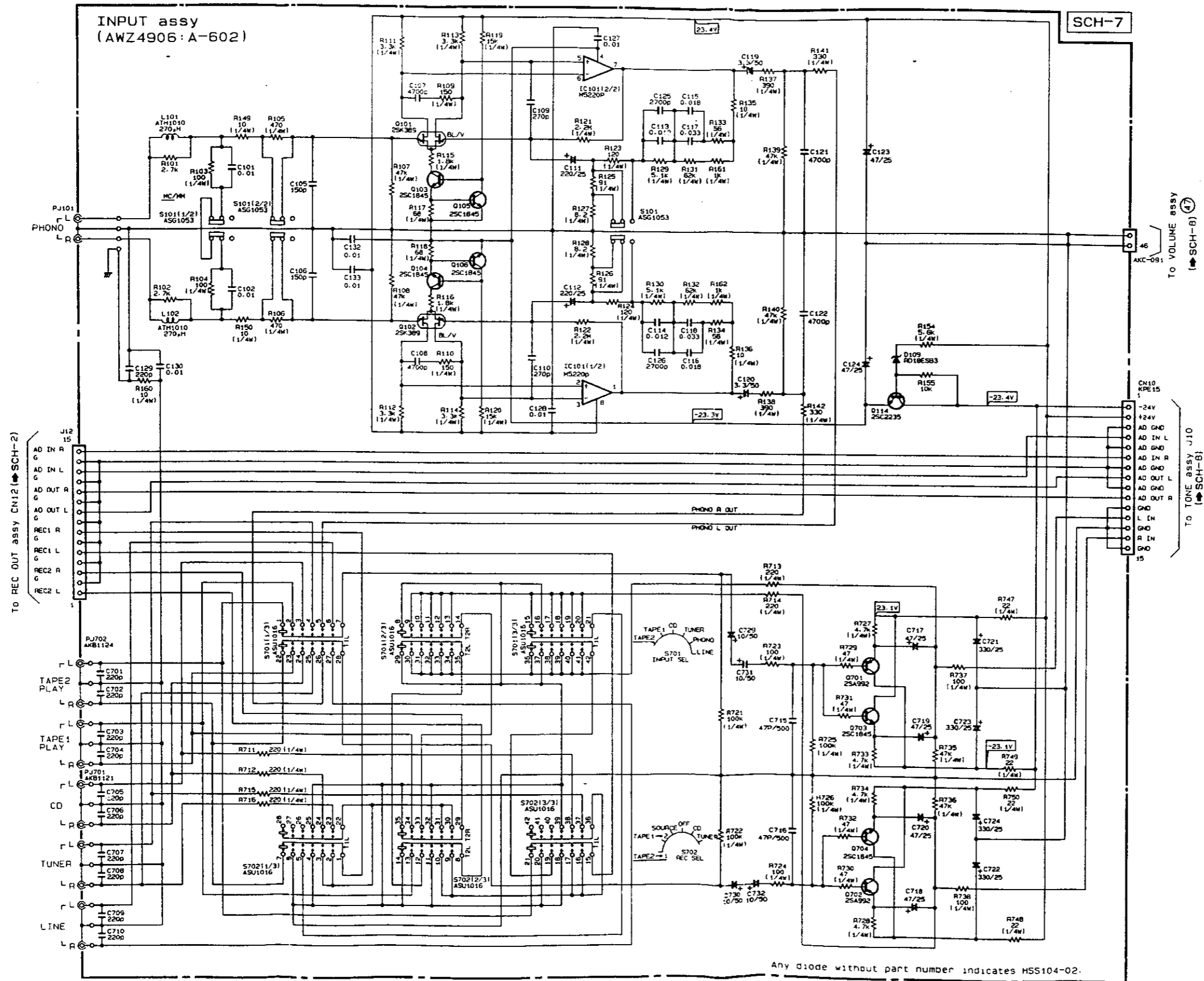
MPU ASSY

AWZ4888 and AWZ5071 have the same construction except for the following :

Mark	Symbol & Description	Part No.		Remarks
		AWZ5071	AWZ4888	
	R903	RD1/8PM104J	

7.2 SCHEMATIC DIAGRAMS AND PCB PATTERNS

7.2.1 INPUT Assy and DIODE Assy



SCH-7

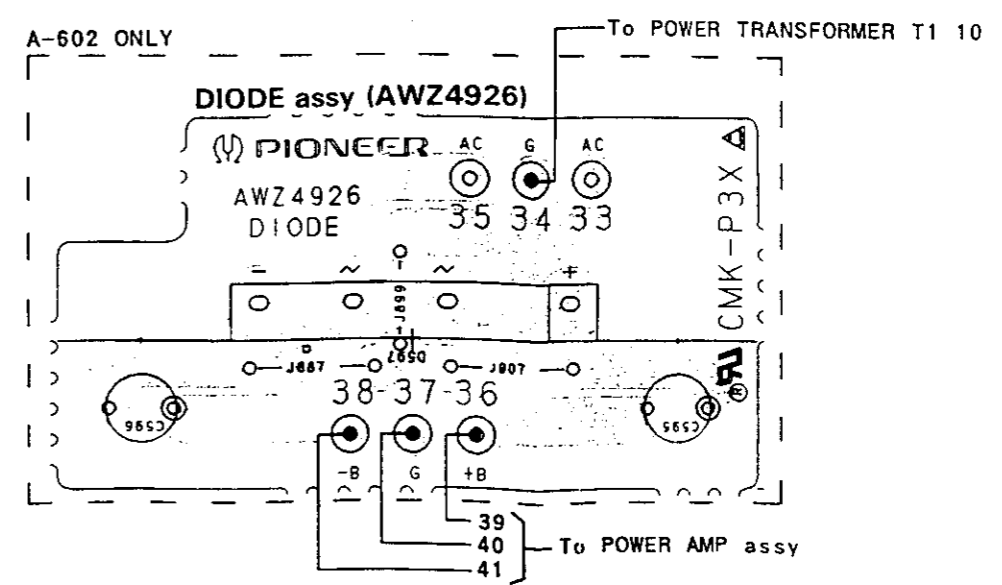
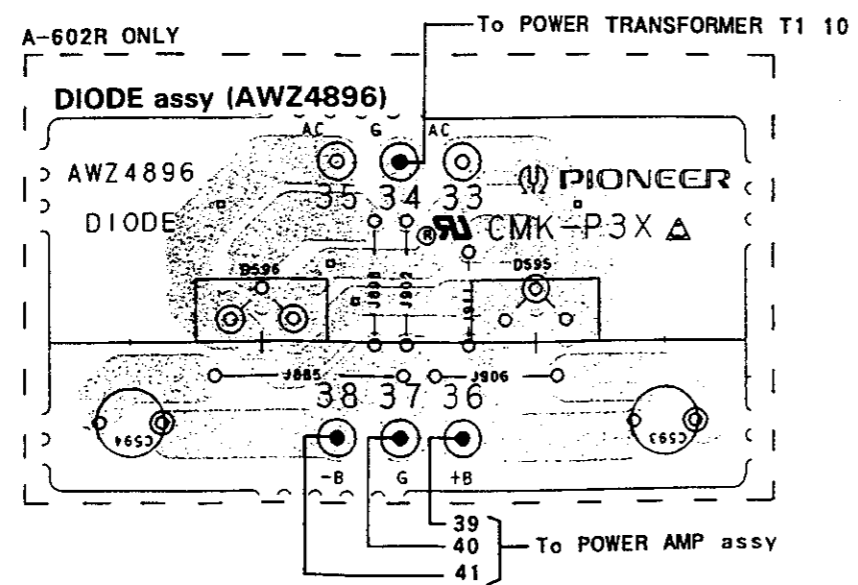
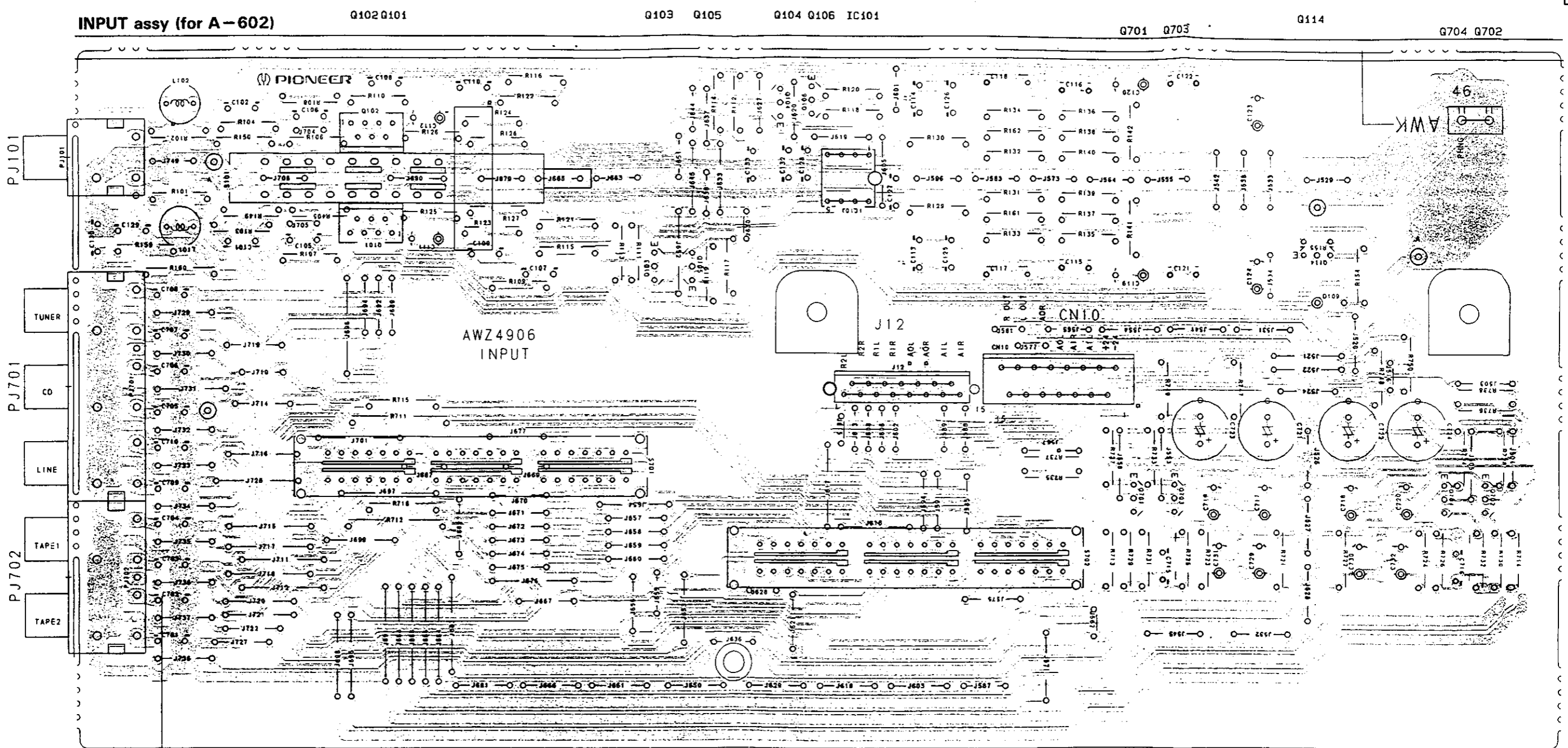
INPUT ASSY, DIODE ASSY

SCH-7

INPUT ASSY, DIODE ASSY

This PCB connection diagram is viewed from the parts mounted side.

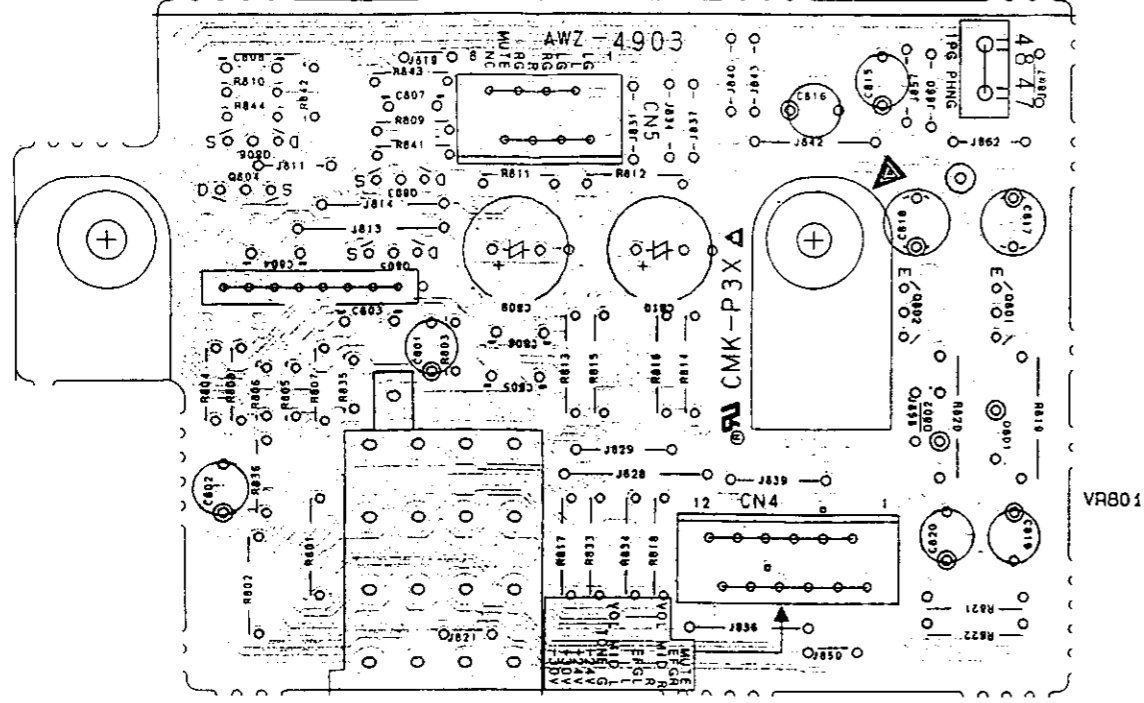
INPUT assy (for A-602)



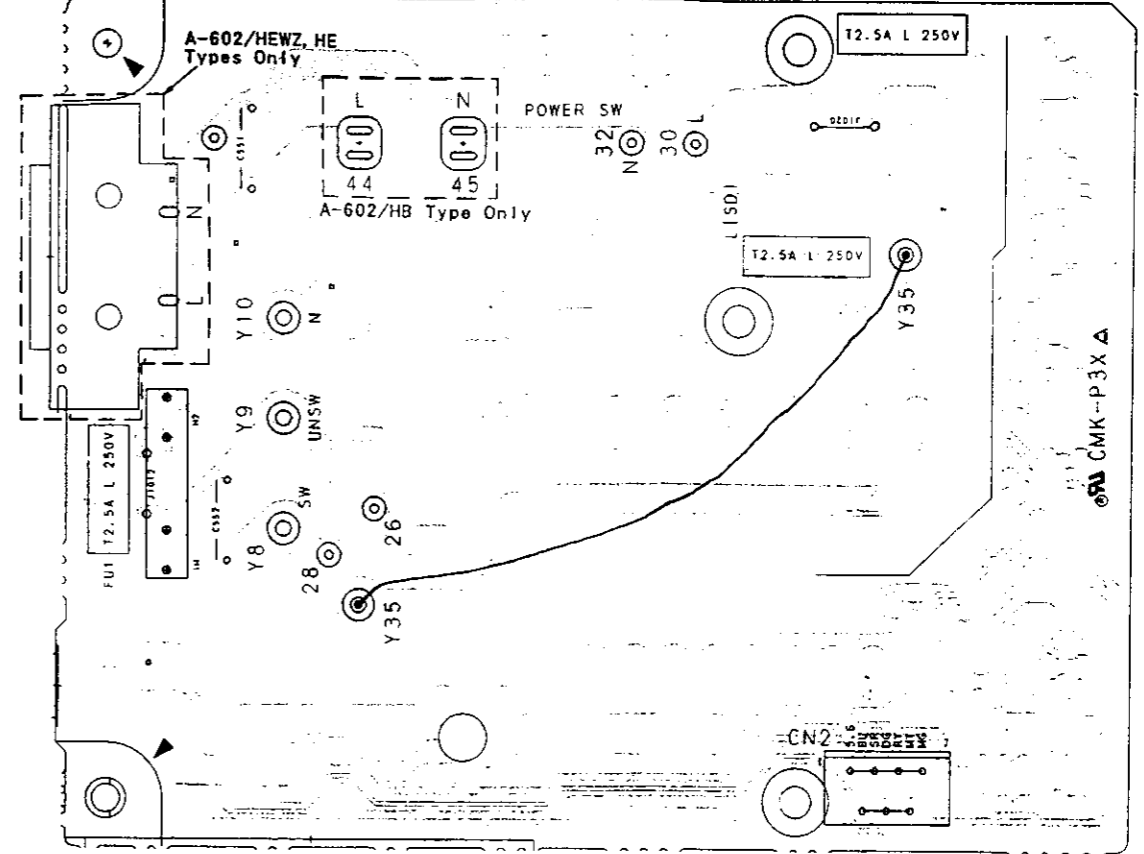
7.2.2 TONE Assy, VOLUME Assy and POWER SW Assy

This PCB connection diagram is viewed from the parts mounted side.

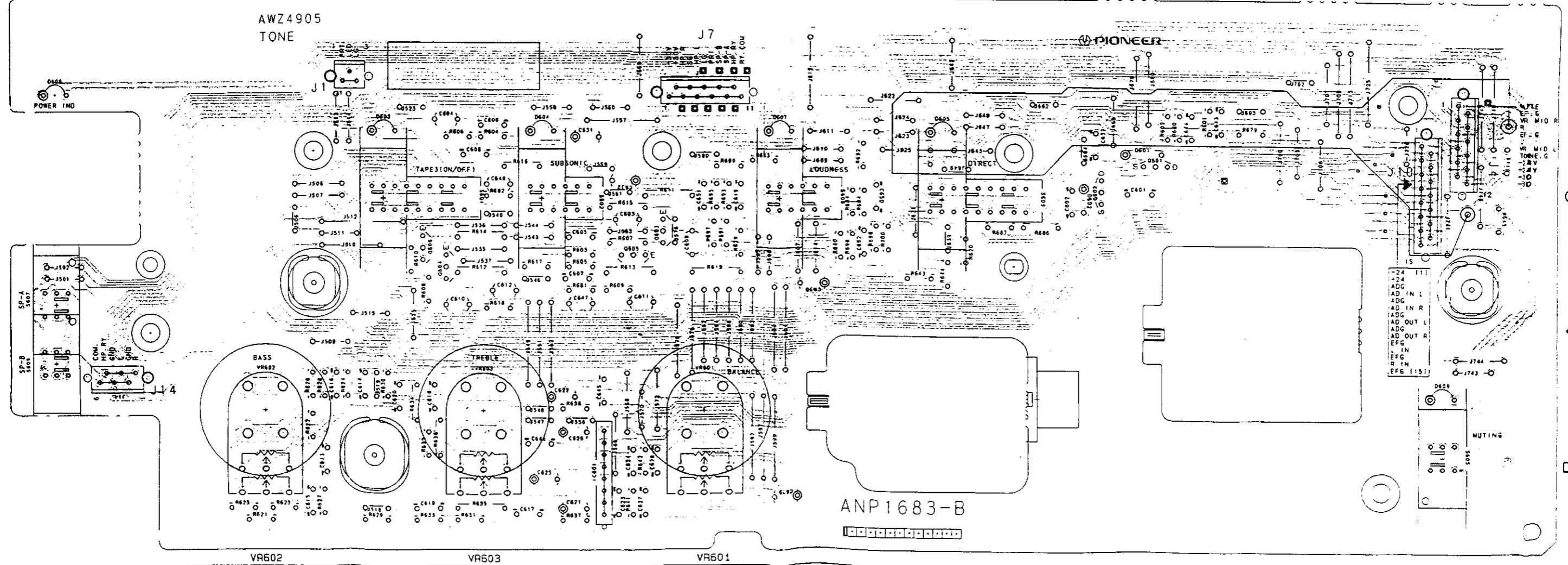
VOLUME assy (for A-602)

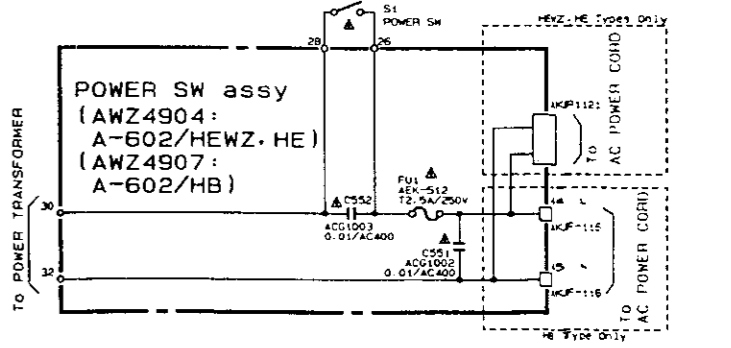
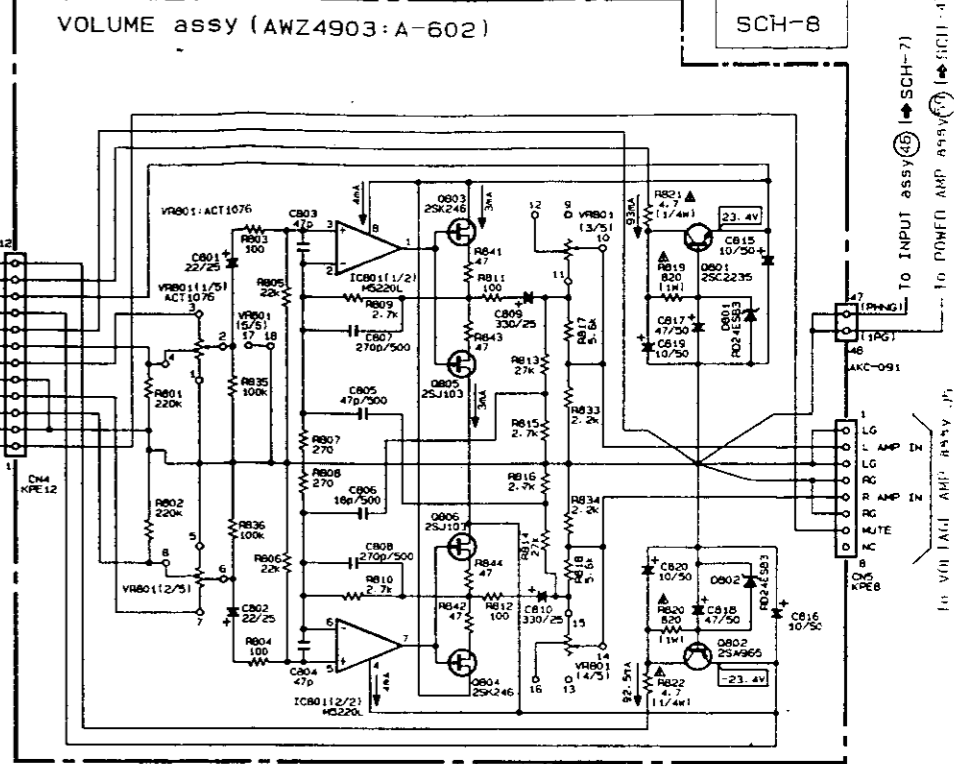
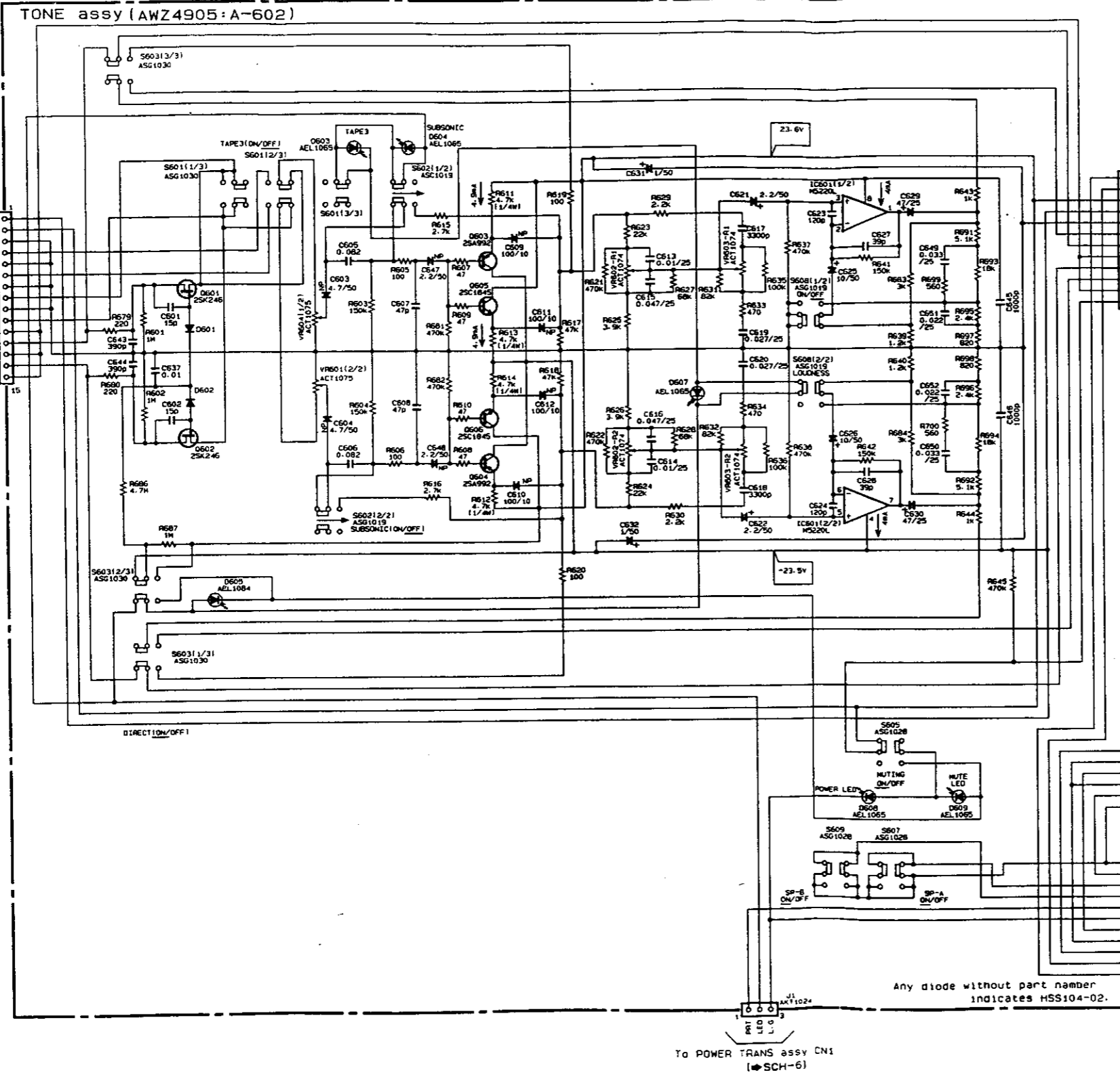


POWER SW assy (for A-602)



TONE assy (for A-602)



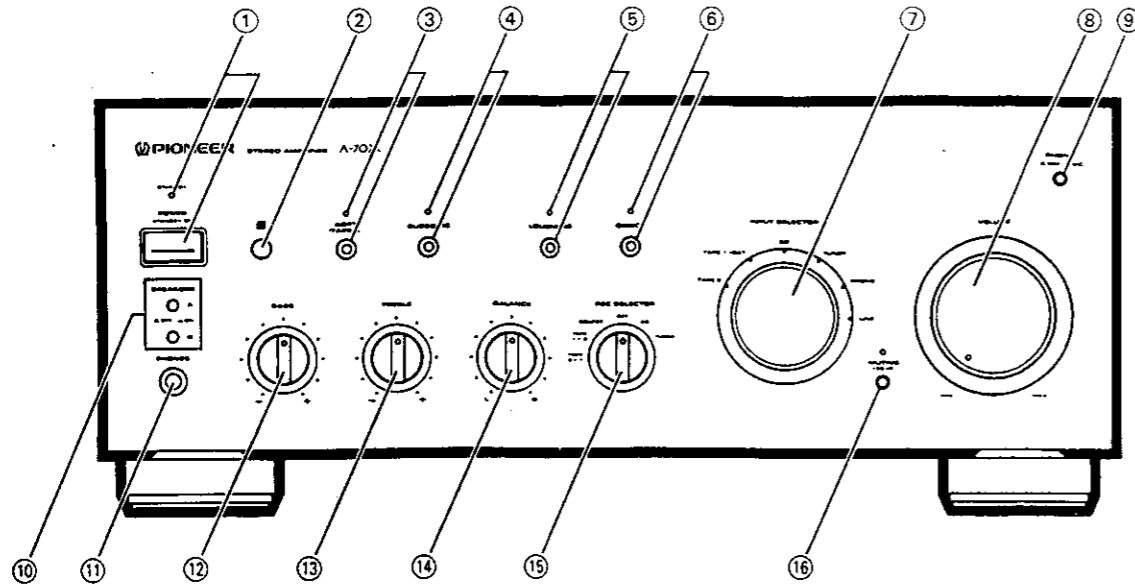


SCH-8 TONE ASSY, VOLUME ASSY, POWER SW ASSY

TONE ASSY, VOLUME ASSY, POWER SW ASSY **SCH-8**

8. PANEL FACILITIES [FRONT PANEL]

The illustration shows model A-702R.



① POWER STANDBY/ON switch/indicator

This is the switch for electric power.

ON : When set to the ON position, power is supplied and the unit becomes operational.

STANDBY : When set to the STANDBY position, the main power flow is cut and the unit is no longer fully operational. A minute flow of power feeds the unit to maintain operation readiness. When the STANDBY indicator lights, the unit is in STANDBY.

NOTE:
When performing timer recording with this unit, be sure to set the POWER STANDBY/ON switch to ON.

② Remote sensor window — Except A-602

③ ADPT (adaptor)/TAPE 3 button/indicator

Use this button to listen to tape playback, or to monitor a tape recording.

On: (Red illumination)

The indicator lights: Press when listening to the playback sound of the cassette deck or the adaptor connected to the ADPT/TAPE 3 IN/PLAY jacks, or to monitor the sound being recorded on the cassette deck connected to the ADPT/TAPE 3 OUT/REC jacks.

Off:
The indicator goes off: Normally leave the button in this position.

NOTE:
When the DIRECT button is set to on, this function does not operate and no signal is output at the ADPT/TAPE 3 OUT/REC jacks. When the DIRECT button is in the off position, only the source signal is output from the ADPT/TAPE 3 OUT/REC jack.

④ SUBSONIC filter button/indicator

Use this button when playing records with coarse grooves.

On: (Red illumination)

The indicator lights: In this position, frequencies of 17 Hz and below are cut, eliminating super-low frequency noise caused by coarse record grooves and thus helping prevent sound distortion.

Off:
The indicator goes off: Leave in this position for normal playback.

NOTE:

This button does not operate when DIRECT button is in the on position. This button operates when PHONO is selected by the INPUT SELECTOR switch

⑤ LOUDNESS button/indicator

Use when listening at low volume levels.

On: (Red illumination)

The indicator lights: Boosts low and high frequencies to give added punch to playback at low volume.

Off:
The indicator goes off: Should normally be left in this position.

NOTES:

- This button does not operate when the DIRECT button is in the on position.
- At volume levels below the 10 o'clock position, the LOUDNESS effect is obtained.
- At volume levels above the 10 o'clock position, the effect becomes increasingly weaker.

⑥ DIRECT button/indicator

Use this button when you wish to bypass the various frequency adjusting circuits and adaptor jacks (ADPT/TAPE 3, SUBSONIC, BASS, TREBLE, BALANCE, LOUDNESS).

On: (Orange illumination)

When this button is in this position, the indicator lights and the signals input from the input jacks are reproduced without passing through the various frequency-adjusting circuits. This results in flat, pure sound which is a more faithful reproduction of the input source.

Off:
When the button is in this position the indicator goes out and the signal passes through the various frequency adjusting circuits.

NOTE:

The settings for ③ — ⑥ and ⑨ when the power was last turned off are memorized and recalled when power is turned on, regardless of whether the AC cord was plugged in or not. When the DIRECT button is in the on position, the SUBSONIC filter is off.

⑦ INPUT SELECTOR switch

Use to select playback source. The selected source's indicator lights. Even if you switch the power off, the last selected source is memorized.

LINE:

Set to this position when listening to the programs from a component connected to the LINE jacks.

PHONO:

When selected, the indicator flashes for 8 seconds.

Set to this position when listening to record playback on a turntable.

TUNER:

Set to this position when listening to AM or FM broadcasts with a tuner.

CD:

Set to this position when listening to a compact disc playback with a CD player.

TAPE 1/DAT:

For playback with a cassette deck or digital audio tape deck connected to the TAPE 1/DAT jacks.

TAPE 2:

For playback with a cassette deck connected to the TAPE 2 jacks.

⑧ VOLUME control

Use to adjust volume level.

NOTE:

This unit is equipped with a circuit that attenuates the effect of tone and loudness controls as volume is turned up.

⑨ PHONO selector button

Set in accordance with the type of cartridge used in your turntable.

MM (■) Released position:

Set to this position when using a moving magnet cartridge, or a MC (moving coil) cartridge with high output of 1 mV or more.

MC (■) Depressed position:

Set to this position when using a moving coil cartridge.

⑩ SPEAKERS selector buttons

Use these buttons to listen to the speaker systems connected to SPEAKERS terminals.

OFF (■) Released position:

No sound is heard from the speaker systems. Set to this position when listening with headphones.

A (■) Depressed position:

For reproduction of sound with the speaker system connected to the SPEAKERS A terminals.

B (■) Depressed position:

For reproduction of sound with the speaker system connected to the SPEAKERS B terminals.

⑪ PHONES jack

When using headphones, insert the plug into this jack. (When you want to listen with headphones only, refer to ⑩.)

⑫ BASS tone control

Use to adjust the low-frequency tone at low volume level. The center position is the flat (normal) position. When turned to the right, low-frequency tones are emphasized; when turned to the left, low-frequency tones are de-emphasized.

NOTES:

- This function does not operate when the DIRECT button is in the on position.
- At volume levels below the 10 o'clock position, the set tone control effect is obtained.
- At volume levels above the 10 o'clock position, the effect becomes increasingly weaker.

⑬ TREBLE tone control

Use to adjust the high-frequency tone at low volume level. The center position is the flat (normal) position. When turned to the right, high-frequency tones are emphasized; when turned to the left, high-frequency tones are de-emphasized.

NOTES:

- This function does not operate when the DIRECT button is in the on position.
- At volume levels below the 10 o'clock position, the set tone control effect is obtained.
- At volume levels above the 10 o'clock position; the effect becomes increasingly weaker.

⑭ BALANCE control

Should normally be left in the center position. Adjust balance if the sound is louder from one of the speakers. If the right side is louder, turn toward the L (left) position and if the left side is louder, turn toward the R (right) position.

NOTE:

This function does not operate when the DIRECT button is in the on position.

⑮ REC SELECTOR switch

Switch to select recording signal. When set at other positions than SOURCE or OFF, signals can be recorded during playback of the equipment selected by INPUT SELECTOR switch.

TUNER:

To record from a TUNER.

CD:

To record from a CD player.

OFF:

In this position nothing from the REC jacks of TAPE 1/DAT and TAPE 2 will be output. Select it when not recording; output to cassette decks will be disconnected, improving sound quality.

SOURCE:

To record the equipment selected by INPUT SELECTOR switch.

TAPE:

1 ▶ 2:

To record (copy) from the cassette deck of TAPE 1/DAT jacks, over to the cassette deck of TAPE 2 jacks.

2 ▶ 1:

To record (copy) from the cassette deck of TAPE 2 jacks, over to the cassette deck of TAPE 1/DAT jacks.

NOTE:

The REC SELECTOR switch has no effect on the recording output of the ADPT/TAPE 3 jacks.

⑯ MUTING button/indicator

Use to temporarily cut sound volume.

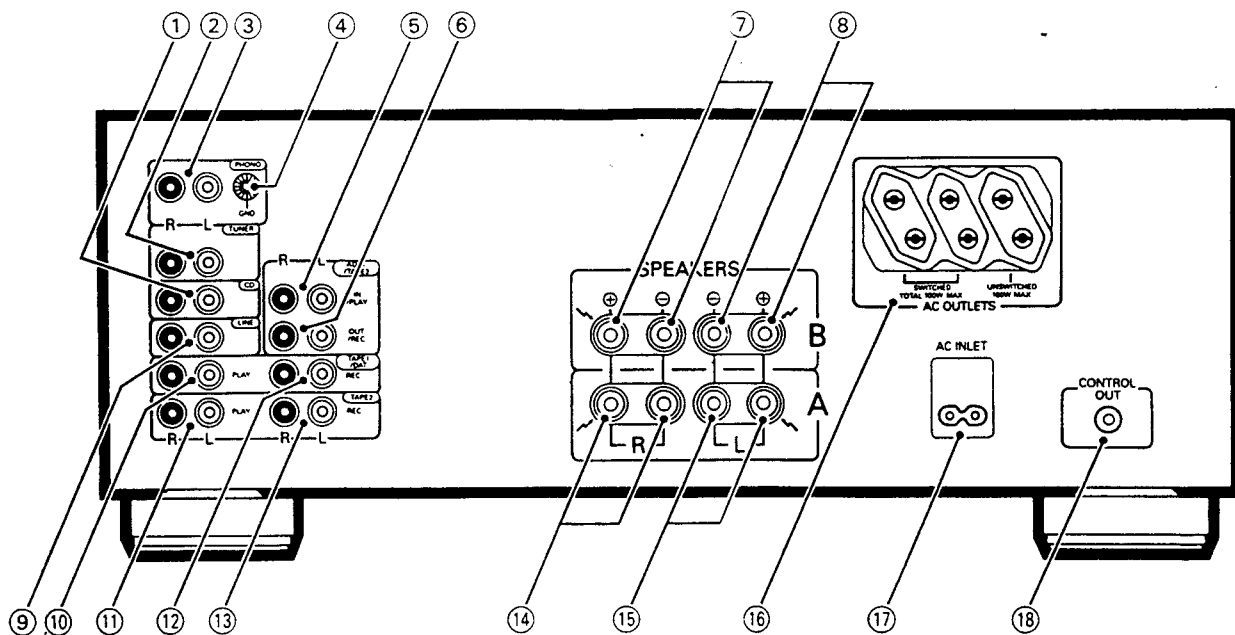
On: (Red illumination)

The indicator lights. The sound volume will be reduced—20 dB.

Off:

The indicator goes off. The sound will return to its previous volume.

[REAR PANEL]



- ① CD jacks
- ② TUNER jacks
- ③ PHONO jacks
- ④ Turntable ground terminal (GND)
- ⑤ ADPT/TAPE 3 IN/PLAY jacks
- ⑥ ADPT/TAPE 3 OUT/REC jacks
- ⑦ SPEAKERS B terminals (right channel)
- ⑧ SPEAKERS B terminals (left channel)
- ⑦ SPEAKERS B terminals (right channel)
- ⑧ SPEAKERS B terminals (left channel)
- ⑨ LINE jacks
- ⑩ TAPE 1/DAT PLAY jacks
- ⑪ TAPE 2 PLAY jacks
- ⑫ TAPE 1/DAT REC jacks
- ⑬ TAPE 2 REC jacks
- ⑭ SPEAKERS A terminals (right channel)
- ⑮ SPEAKERS A terminals (left channel)
- ⑯ AC OUTLETS
- ⑰ AC INLET jack
Connect power cord to here and an AC wall socket, or the AC out of an audio timer.
If you are going to be away from home for a long period of time disconnect the unit from the wall socket.
- ⑱ CONTROL OUT jack

9. SPECIFICATIONS

[A-702R]

Continuous power output (both channels driven at 20 Hz to 20 kHz)**	
T.H.D. 0.03 %, 4 Ω	130 W + 130 W*
T.H.D. 0.015 %, 8 Ω	85 W + 85 W*
DIN Continuous power output (both channels driven at 1 kHz)	
T.H.D. 1.0 %, 4 Ω	140 W + 140 W
T.H.D. 1.0 %, 8 Ω	90 W + 90 W
Power bandwidth	
0.05 %, 8 Ω	5 Hz — 80 kHz*
Damping factor	
(1 kHz/20 Hz to 20 kHz), 8 Ω	160/140
Dynamic power output (on EIA dynamic test signal)	
4 Ω/2 Ω	200 W/300 W
Total harmonic distortion**	
20 Hz to 20 kHz	
(continuous power output/−3 dB), 8 Ω	0.007 %*
Inter-modulation distortion (at rated output)	0.015 %*

• Above specifications are for when power supply is 230 V.

[A-602R] [A-602]

Continuous power output (both channels driven at 20 Hz to 20 kHz)**	
T.H.D. 0.03 %, 4 Ω	100 W + 100 W*
T.H.D. 0.015 %, 8 Ω	70 W + 70 W*
DIN Continuous power output (both channels driven at 1 kHz)	
T.H.D. 1.0 %, 4 Ω	120 W + 120 W
T.H.D. 1.0 %, 8 Ω	80 W + 80 W
Power bandwidth	
0.05 %, 8 Ω	5 Hz — 80 kHz*
Damping factor	
(1 kHz/20 Hz to 20 kHz), 8 Ω	160/140
Dynamic power output (on EIA dynamic test signal)	
4 Ω/2 Ω	150 W/200 W
Total harmonic distortion**	
20 Hz to 20 kHz	
(continuous power output/−3 dB), 8 Ω	0.009 %*
	(A-602R)
Total harmonic distortion**	
20 Hz to 20 kHz, (continuous power output/−3 dB), 8 Ω	0.007 %*
	(A-602)
Inter-modulation distortion (at rated output)	0.015 %*

• Above specifications are for when power supply is 230 V.

Input sensitivity/impedance	
PHONO (MM)	2.8 mV/50 kΩ
PHONO (MC)	0.24 mV/100 Ω
CD, TUNER, LINE, TAPE	200 mV/50 kΩ
PHONO overload level	
1 kHz, T.H.D. 0.1 % (MM/MC)	200 mV/19 mV
Output level/impedance	
TAPE REC, ADAPTOR OUTPUT	200 mV/1 kΩ
Frequency response	
PHONO (MM)	20 Hz to 20 kHz ±0.2 dB
PHONO (MC)	20 Hz to 20 kHz ±0.3 dB
CD, TUNER, LINE, TAPE	1 Hz to 150 kHz ±3 dB*
Tone control (volume control set at −30 dB position)	
BASS	±8 dB (100 Hz)
TREBLE	±8 dB (10 kHz)
Loudness contour (volume control set at −30 dB position)	
	+5 dB (100 Hz)/+3 dB (10 kHz)
Filter (SUBSONIC)	17 Hz (12 dB/oct.)
Muting	−20 dB
Signal-to-Noise ratio (IHF short circuit, A network)	
PHONO (MM, 5 mV input/MC, 0.5 mV input)	90 dB/76 dB*
CD, TUNER, LINE, TAPE	110 dB*
Signal-to-Noise ratio (DIN, continuous power/50 mW)	
PHONO (MM)	74 dB/72 dB*
CD, TUNER, LINE, TAPE	95 dB/81 dB*

Power Supply/Miscellaneous

Power Requirements	AC 220 — 230 V, 50/60 Hz
Power Consumption	
A-702R	720 W
A-602R	650 W
A-602	650 W
AC outlets	
Switched (x 2)	100 W
Unswitched (x 1)	100 W
Dimensions	420 (W) x 432 (D) x 161 (H) mm
Weight (without package)	
A-702R	14.0 kg
A-602R	12.4 kg
A-602	12.0 kg

Accessories (A-702R and A-602R)

Operating instructions	1
Remote control unit	1
Batteries (IEC R03, AAA)	2
Power cord	1

Accessories (A-602)

Operating instructions	1
------------------------	---

NOTE:

Specifications and design are subject to possible modification without notice, due to improvements.

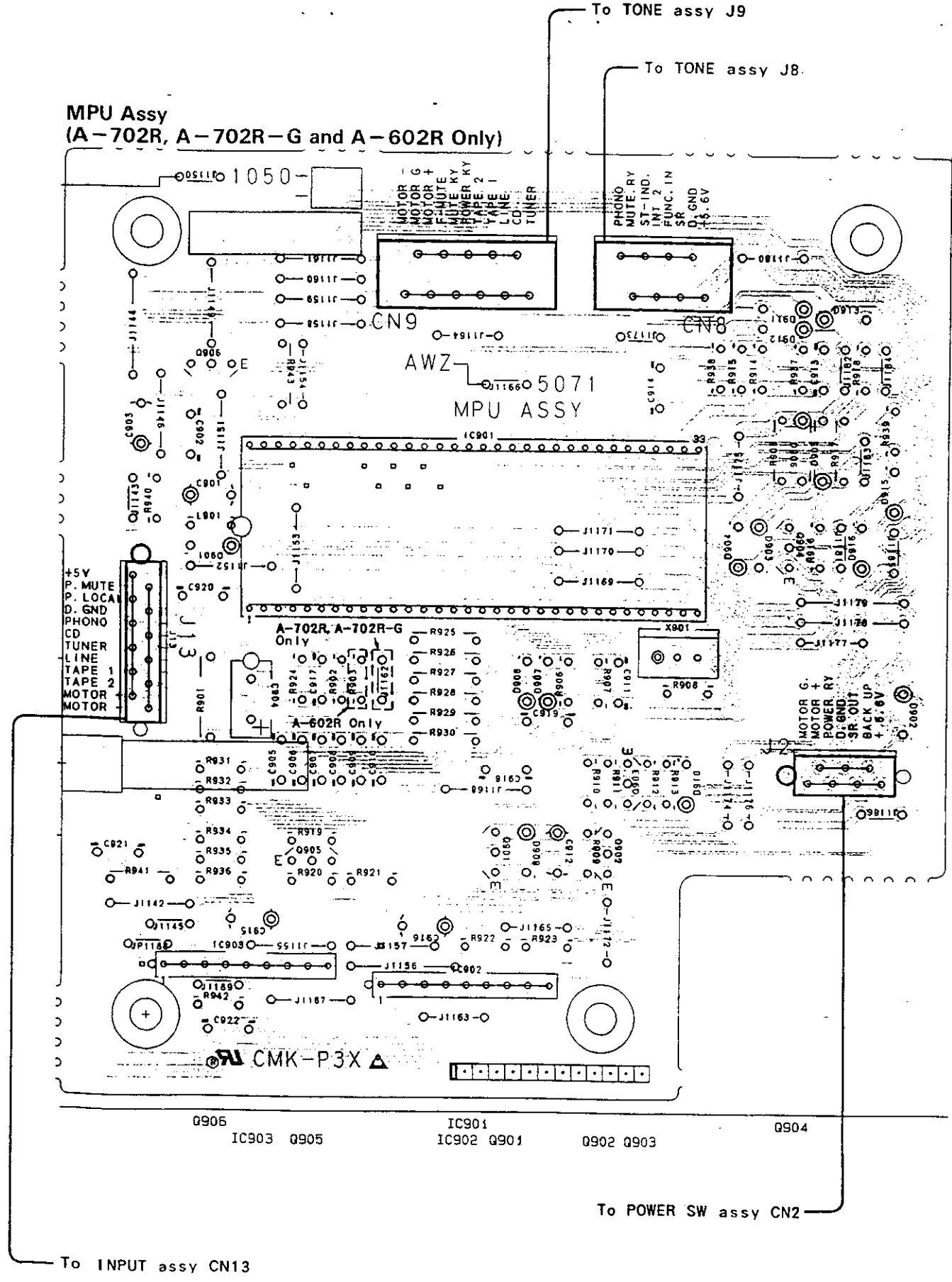
* When the DIRECT button is set to ON.

** Measured by Audio Spectrum Analyzer.

4.5 MPU ASSY

PCB-4

MPU Assy
(A-702R, A-702R-G and A-602R Only)

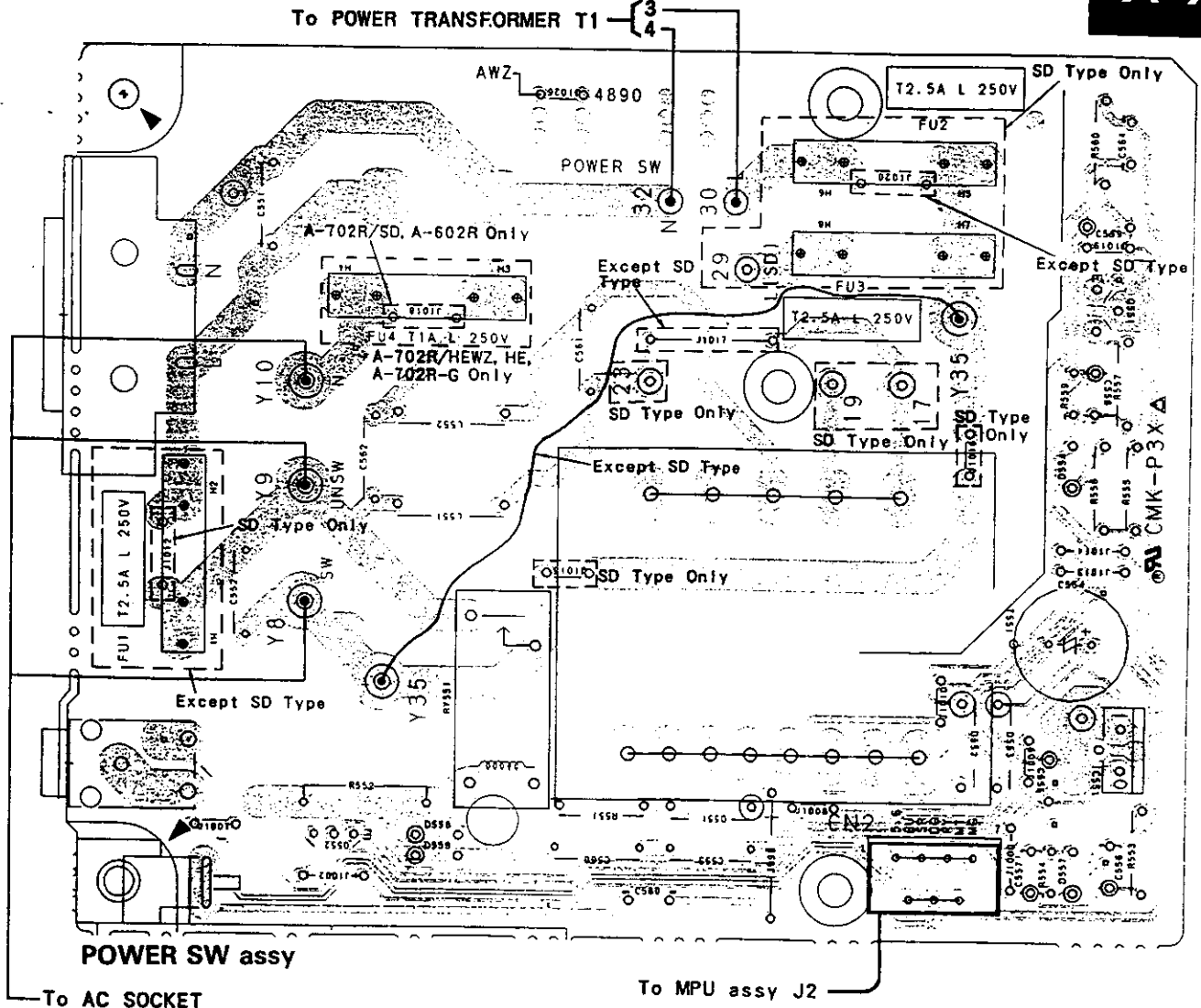


A

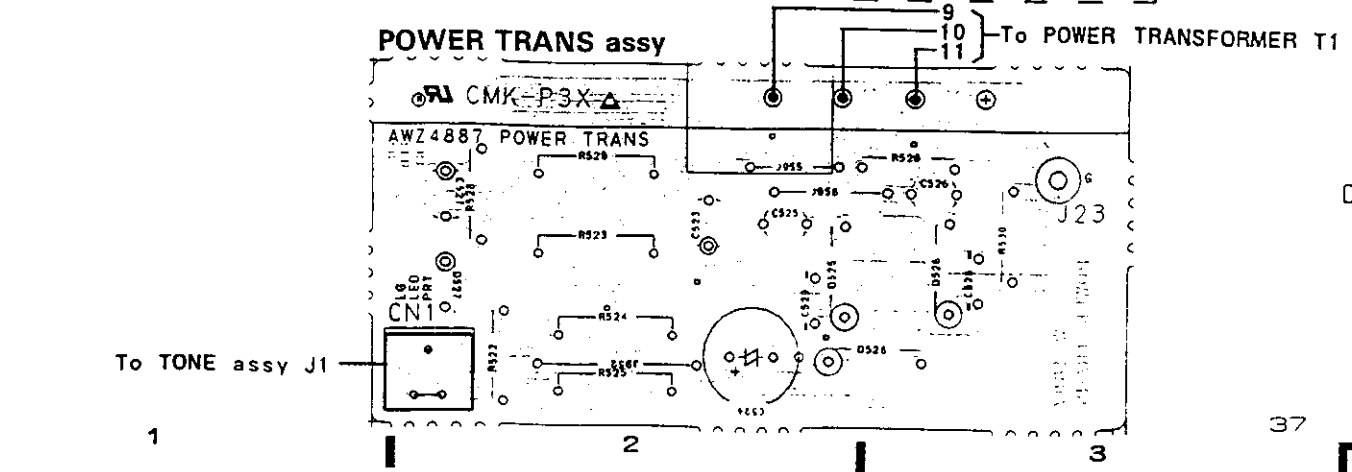
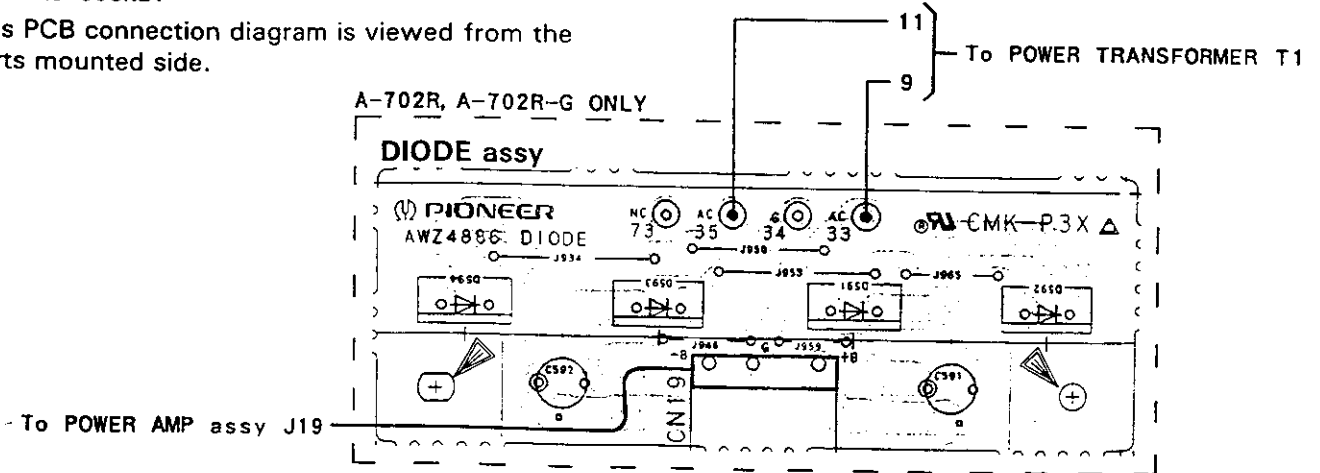
B

C

D



This PCB connection diagram is viewed from the parts mounted side.



5. PCB PARTS LIST

NOTES :

- Parts marked by "NSP" are generally unavailable because they are not in our Master Spare Parts List.
- The Δ mark found on some component parts indicates the importance of the safety factor of the part. Therefore, when replacing, be sure to use parts of identical designation.
- Parts marked by "⊙" are not always kept in stock. Their delivery time may be longer than usual or they may be unavailable.
- When ordering resistors, first convert resistance values into code form as shown in the following examples.

Ex. 1 When there are 2 effective digits (any digit apart from 0), such as 560 ohm and 47k ohm (tolerance is shown by J = 5%, and K = 10%).

560 Ω \rightarrow 56 \times 10¹ \rightarrow 561 RD1/8PM $\begin{matrix} 5 & 6 & 1 \\ \hline & & J \end{matrix}$

47k Ω \rightarrow 47 \times 10³ \rightarrow 473 RD1/4PS $\begin{matrix} 4 & 7 & 3 \\ \hline & & J \end{matrix}$

0.5 Ω \rightarrow 0R5 RN2H $\begin{matrix} 0 & R & 5 \\ \hline & & K \end{matrix}$

1 Ω \rightarrow 010 RS1P $\begin{matrix} 0 & 1 & 0 \\ \hline & & K \end{matrix}$

Ex. 2 When there are 3 effective digits (such as in high precision metal film resistors).

5.62k Ω \rightarrow 562 \times 10¹ \rightarrow 5621 RM1/4PC $\begin{matrix} 5 & 6 & 2 & 1 \\ \hline & & & F \end{matrix}$

Mark	No.	Description	Parts No.	Mark	No.	Description	Parts No.
LIST OF ASSEMBLIES				COILS			
NSP	AF ASSY		AWK1684		L401, L402		ATH1011
	├	POWER AMP ASSY	AWZ4882	CAPACITORS			
	├	VOLTAGE AMP ASSY	AWZ4883				
	├	REC OUT ASSY	AWZ4884				
	├	DIODE ASSY	AWZ4886				
	├	POWER TRANS ASSY	AWZ4887				
	├	POWER SW ASSY	AWZ4890				
NSP	INPUT ASSY		AWK1685		C417-C420		CCCSL680K500
	├	HEADPHONE ASSY	AWZ4885		C308-C310		CEAS010M50
	├	TONE ASSY	AWZ4891		C306		CEAS220M50
	├	INPUT ASSY	AWZ4892		C501, C502		CEAS331M50
NSP	COMPLEX CONTROL ASSY		AWP1050		C303, C304		CEAS471M6
	├	MPU ASSY	AWZ5071		C301, C302		CEAS4R7M50
	├	VOLUME ASSY	AWZ5072		C505		CEHAQ100M50
					C503, C504, C506		CEHAQ101M50
					C401-C404		CFTXA104J50
					C405-C412		CFTXA223J50
					C305		CKCYF103Z50
POWER AMP ASSY				RESISTORS			
SEMICONDUCTORS				Δ	R409-R412 (0.22, 5W)		ACN1075
	Q307		2SA1115		R513-R515		RD1/2PM102J
	Q403, Q404		2SA1306		R421-R424		RD1/4PM100J
	Q502		2SA992		R305, R306, R310		RD1/4PM103J
	Q504		2SB1274		R303, R304		RD1/4PM153J
	Q301, Q302, Q501, Q506		2SC1845		R507-R509		RD1/4PM331J
	Q309		2SC2235		R311		RD1/4PM334J
	Q303-Q306, Q308		2SC2458	Δ	R312		RD1/4PM680J
	Q401, Q402		2SC3298		R505, R506, R511		RD1/4PM821J
	Q503, Q505		2SD1913	Δ	R413-R416		RD1/4PMFL392
	D301-D304, D504-D506		HSS104-02	Δ	R433-R436, R441, R442		RFA1/4PS101J
	D305		RD15ESB2	Δ	R309		RFA1/4PS221J
	D503		RD27ESB2	Δ	R437-R440		RFA1/4PS470J
	D501, D502		RD30ESB2	Δ	R401-R408, R443, R444, R503, R504, R512, R519, R520		RFA1/4PS4R7J
RELAIAS				Δ	R417, R418		RS1LMF101J
	RY403		ASR1005	Δ	R431, R432		RS1LMF681J
	RY401, RY402		ASR1026	Δ	R419, R420		RS2LMF100J
				Δ	R429, R430		RS2LMF331J

Mark	No.	Description	Parts No.
△	R510		RS2LMF392J
△	R501, R502		RS2LMF472J
	Other Resistors		RD1/8PM□□□J

OTHERS

	8P SPEAKER TERMINAL	AKE1011
CN7	11P JUMPER CONNECTOR	KPE11
	SCREW	ABA-298

VOLTAGE AMP ASSY

SEMICONDUCTORS

Q213, Q214, Q221, Q222	2SA1048
Q207, Q208, Q217, Q218, Q237, Q238, Q249, Q250	2SA1145
Q209, Q210	2SA1240
Q215, Q216, Q223, Q224	2SC2458

Q233, Q234	2SC2603
Q205, Q206, Q219, Q220, Q235, Q236, Q251, Q252	2SC2705
Q245-Q248	2SC2878
Q211, Q212	2SC3067

Q203, Q204	2SJ44
Q201, Q202	2SK163

D201-D204	AEL1148
D209-D212	HSS104-02
D213-D216	RD10ESB
D205-D208	RD8.2ESB3

CAPACITORS

C209-C212	CCCSSL070D500
C201, C202	CCCSSL101K500
C213, C214	CEAS100M50
C231, C232, C235, C236	CEAS331M63
C203-C206	CEXA221M25

C237-C240	CKCYB331K50
C215, C216	CKCYB471K50
C245, C246	CKCYF103Z50
C229, C230, C233, C234	CKCYF223Z50

RESISTORS

VR201, VR202 (100)	ACP1037
VR203, VR204 (47k)	ACP1045

R285, R286, R291, R292	RD1/2PM222J
R217-R220, R227-R234, R273, R274	RD1/4PM101J
R203, R204	RD1/4PM104J
R245, R246	RD1/4PM122J

R243, R244	RD1/4PM222J
R235-R238	RD1/4PM225J
R225, R226	RD1/4PM274J
R279, R280	RD1/4PM470J
R221-R224	RD1/4PM473J

Mark	No.	Description	Parts No.
	R239-R242		RD1/4PM512J
△	R251, R252		RD1/4PMF561J
	R267-R270		RDR1/2PM472J
	R205-R208		RDR1/4PM100J
	R275, R276		RDR1/4PM101J

	R271, R272		RDR1/4PM221J
	R293, R294		RDR1/4PM222J
△	R213-R216, R247-R250		RFA1/4PS101J
△	R253-R256		RFA1/4PS271J
△	R281-R284		RFA1/4PS4R7J

Other Resistors

RD1/8PM□□□J

OTHERS

CN18	12P JUMPER CONNECTOR	KPE12
CN22	3P JUMPER CONNECTOR	KPE3

REC OUT ASSY

CAPACITORS

C771-C778	CCCSSL221J50
-----------	--------------

RESISTORS

All Resistors

RD1/8PM□□□J

OTHERS

	8P PIN JACK (TAPE1, 2 ADPT)	AKB1144
CN12	15P JUMPER CONNECTOR	KPE15

DIODE ASSY

SEMICONDUCTORS

D591-D594	F10KF20
-----------	---------

CAPACITORS

C591, C592	CEAS010M100
------------	-------------

POWER TRANS ASSY

SEMICONDUCTORS

D527	HSS104-02
D525, D526, D528	S5566

CAPACITORS

C528, C529 (0.01/150V)	ACG1005
C525, C526 (1/100V)	ACH1237
C524	CEAS101M63
C523	CEEA221M63
C527	CEAS2R2M50

RESISTORS

R526, R530	RD1/4PM100J
R522	RD1/4PM222J
R528	RD1/4PM682J
△ R523-R525, R529	RS1LMF103J

Mark	No.	Description	Parts No.
OTHERS			
	CN1	3P JUMPER CONNECTOR	KPE3
POWER SW ASSY			
SEMICONDUCTORS			
	IC551		NJM78M56FAS
	Q551		2SD1913
	Q552		XDC143ES
	D557		HSS104-02
	D556, D558		RD6.2ESB3
	D554		RD6.8ESB
	D551-D553		S5566
RELAY			
△	RY551		ASR1036
COILS & TRANSFORMER			
△	L551, L552		ATX1012
△	T551		ATT1229
CAPACITORS			
△	C551, C562 (0.01/400V)		ACG1002
△	C552, C561 (0.01/400V)		ACG1003
	C580 (0.01/150V)		ACG1005
	C557, C559		CEAS100M50
	C556		CEAS101M25
	C554		CEAS102M25
	C555, C558		CEAS470M25
	C553, C560		CQMXA224J100
	C564		CKCYF103Z50
RESISTORS			
	R556		RD1/4PM102J
	R553		RD1/4PM222J
	R557		RD1/4PM331J
	R551		RD1/4PM470J
△	R555		RFA1/4PS4R7J
△	R552		RS2LMF101J
	R560		RD1/4PM010J
	Other Resistors		RD1/8PM□□□□
OTHERS			
△		MINI JACK	AKN-207
		1P AC INLET	AKP1121
	CN2	7P JUMPER CONNECTOR	KPE7
HEADPHONE ASSY			
CAPACITORS			
	C491, C492		CKCYB392K50
OTHERS			
	CN8103	HEADPHONE JACK	AKN1025
	CN14	6P JUMPER CONNECTOR	KPE6

Mark	No.	Description	Parts No.
TONE ASSY			
SEMICONDUCTORS			
	IC601		M5220L
	Q603, Q604		2SA992
	Q605, Q606		2SC1845
	Q609, Q610, Q620, Q623, Q624		2SC2458
	Q601, Q602		2SK246
	Q622, Q625, Q626		XDA124ES
	Q612-Q619		XDC143ES
	D603, D604, D607-D609		AEL1065
	D605		AEL1084
	D610-D615		AEL1099
	D601, D602, D606, D616-D620		HSS104-02
SWITCHES			
	S606		ASD1026
	S602, S608		ASG1019
	S604		ASG1029
	S601, S603		ASG1030
	S605		ASG1054
	S607, S609		ASG1028
CAPACITORS			
	C623, C624		CCCSL121J50
	C601, C602		CCCSL150J50
	C627, C628		CCCSL390J50
	C607, C608		CCCSL470J50
	C609-C612		CEANP101M10
	C647, C648		CEANP2R2M50
	C603, C604		CEANP4R7M50
	C631, C632		CEAS010M50
	C625, C626, C639		CEAS100M50
	C621, C622		CEAS2R2M50
	C629, C630		CEAS470M25
	C641		CEASR22M50
	C605, C606		CFTXA823J50
	C645, C646		CKCYB102K50
	C617, C618		CKCYB332K50
	C643, C644		CKCYB391K50
	C637, C638		CKCYF103Z50
	C613, C614		CKCYX103M25
	C651, C652		CKCYX223M25
	C619, C620		CKCYX273M25
	C649, C650		CKCYX333M25
	C615, C616		CKCYX473M25
RESISTORS			
	VR602, VR603 (100k-20A x 2)		ACT1074
	VR601 (100k-B x 2)		ACT1075
	R660		RD1/4PM1131J
	R658		RD1/4PM1151J
	R659		RD1/4PM1271J
	R611-R614		RD1/4PM1472J
	Other Resistors		RD1/8PM□□□□

Mark	No.	Description	Parts No.
OTHERS			
		REMOTE RECEIVER UNIT	AXX1023
INPUT ASSY			
SEMICONDUCTORS			
	IC101		M5220P
	Q113		2SA965
	Q701, Q702		2SA992
	Q103-Q106, Q703, Q704		2SC1845
	Q114		2SC2235
	Q121		2SC2458
	Q107-Q110		2SC3327
	Q101, Q102		2SK389
	Q117, Q119		XDA143ES
	Q116, Q120, Q122		XDC124ES
	Q115, Q118		XDC143ES
	D103, D106, D108 D109		HSS104-02 RD18ESB3
SWITCHES			
	S701		ASD1017
	S101		ASG1053
	S702		ASU1016
COILS			
	L101, L102		ATH1010
CAPACITORS			
	C105, C106		CCCSL151J50
	C129, C701-C710		CCCSL221J50
	C109, C110		CCCSL271J50
	C715, C716		CCCSL470K500
	C111, C112		CEAS221M25
	C119, C120		CEAS3R3M50
	C123, C124		CEAS470M25
	C729-C732		CEEA100M50
	C721-C724		CEEA331M25
	C717-C720		CEEA470M25
	C101, C102		CFTXA103J50
	C113, C114		CFTXA123J50
	C115, C116		CFTXA183J50
	C117, C118		CFTXA333J50
	C107, C108		CKCYB472K50
	C134, C135		CKCYB102K50
	C127, C128, C130, C132, C133, C727, C733, C734		CKCYF103Z50
	C125, C126		CQMA272J50
	C121, C122		CQMA472J50
RESISTORS			
	R135, R136, R149, R150, R160		RD1/4PM100J
	R103, R104, R143, R144, R723, R724, R737, R738		RD1/4PM101J

Mark	No.	Description	Parts No.
	R721, R722, R725, R726 R109, R110 R119, R120 R115, R116 R747-R750		RD1/4PM104J RD1/4PM151J RD1/4PM153J RD1/4PM182J RD1/4PM220J
	R711-R716 R121, R122 R154 R141, R142 R111-R114		RD1/4PM221J RD1/4PM225J RD1/4PM272J RD1/4PM331J RD1/4PM332J
	R729-R732 R105, R106 R727, R728, R733, R734 R107, R108, R139, R140, R735, R736 R117, R118		RD1/4PM470J RD1/4PM471J RD1/4PM472J RD1/4PM473J RD1/4PM680J
	R161, R162 R123, R124 R137, R138 R129, R130 R133, R134		RDR1/4PM102F RDR1/4PM121F RDR1/4PM391F RDR1/4PM512F RDR1/4PM560F
	R131, R132 R127, R128 R125, R126 R157		RDR1/4PM623F RDR1/4PM8R2F RDR1/4PM910F RD1/2PM103J
	Other Resistors		RD1/8PM□□□J

OTHERS

PJ702	4P PIN JACK (TAPE1, 2 PLAY)	AKB1124
PJ701	6P PIN JACK (CD, TUNER, LINE)	AKB1135
PJ101	2P PIN JACK (PHONO)	AKB1211
CN13	12P JUMPER CONNECTOR	KPE12
CN10	15P JUMPER CONNECTOR	KPE15

MPU ASSY

SEMICONDUCTORS

IC901		PD5224A
IC902, IC903		TA8409S
Q902		2SA1048
Q903		2SC2458
Q906		XDA124ES
Q901, Q904, Q905		XDC124ES
D901-D909, D911-D913, D915, D916 D910		HSS104-02 RD6.2ESB

COIL

L901		LAU220K
------	--	---------

Mark	No.	Description	Parts No.
CAPACITORS			
	C904		ACH1135
	C919		CCMSL101J50
	C912		CEAS2R2M50
	C901, C903, C915, C916		CEAS470M25
	C902, C918, C920-C922		CKCYF103Z50
	C905-C911, C913, C914, C917		CKMYB271K50

RESISTORS			
	R901		RD1/4PM101J
	Other Resistors		RD1/8PM□□□J

OTHERS			
	X901	(4.19MHz)	ASS1018
	CN9	11P JUMPER CONNECTOR	KPE11
	CN8	8P JUMPER CONNECTOR	KPE8

VOLUME ASSY

SEMICONDUCTORS			
	IC801		M5220P
	Q802		2SA965
	Q801		2SC2235
	Q805, Q806		2SJ103
	Q803, Q804		2SK246
	D801, D802		RD24ESB3

CAPACITORS			
	C805, C806		CCCSSL270K500
	C807, C808		CCCSSL271K500
	C803, C804		CCCSSL470K500
	C801, C802		CEAS220M25
	C815-C820		CEAS221M35
	C809, C810		CEEA101M25
	C813		CKCYF103Z50

RESISTORS			
	VR801	(20k × 2 30k × 2)	ACX1085
	R803, R804, R811, R812		RD1/4PM101J
	R835, R836		RD1/4PM104J
	R833, R834		RD1/4PM222J
	R805, R806		RD1/4PM223J
	R801, R802		RD1/4PM224J
	R807, R808		RD1/4PM271J
	R809, R810		RD1/4PM302J
	R813, R814		RD1/4PM303J
	R815, R816		RD1/4PM272J
	R841-R844		RD1/4PM470J
	R817, R818		RD1/4PM562J
△	R821, R822		RFA1/4PS4R7J
△	R819, R820		RS1LMF821J

Mark	No.	Description	Parts No.
OTHERS			
	CN4	13P JUMPER CONNECTOR	KPE13
	CN5	8P JUMPER CONNECTOR	KPE8
	CN21	3P JUMPER CONNECTOR	KPE3

6. ADJUSTMENTS

1) IDLE CURRENT ADJUSTMENT

1. Connect the measuring instrument as Fig. 6-1. (R409 or R410)
2. Set the VOLUME CONTROL to minimum.
3. Set the POWER switch to ON.
4. Adjust VR203 (VR204) so that the voltage between both sides of R409 (R410) becomes $16\text{mV} \pm 3\text{mV}$.

Note)

After turning on the power, wait at least 5 minutes before adjustment.

2) DC OFFSET ADJUSTMENT

1. Connect the measuring instrument as Fig. 6-1. (SP terminal)
2. Adjust VR201 (VR202) so that the voltage between speaker terminal becomes $80\text{mV} \pm 20\text{mV}$.

Note)

After turning on the power, wait at least 5 minutes before starting the adjustment and complete the adjustment within 10 minutes after turning on the power.

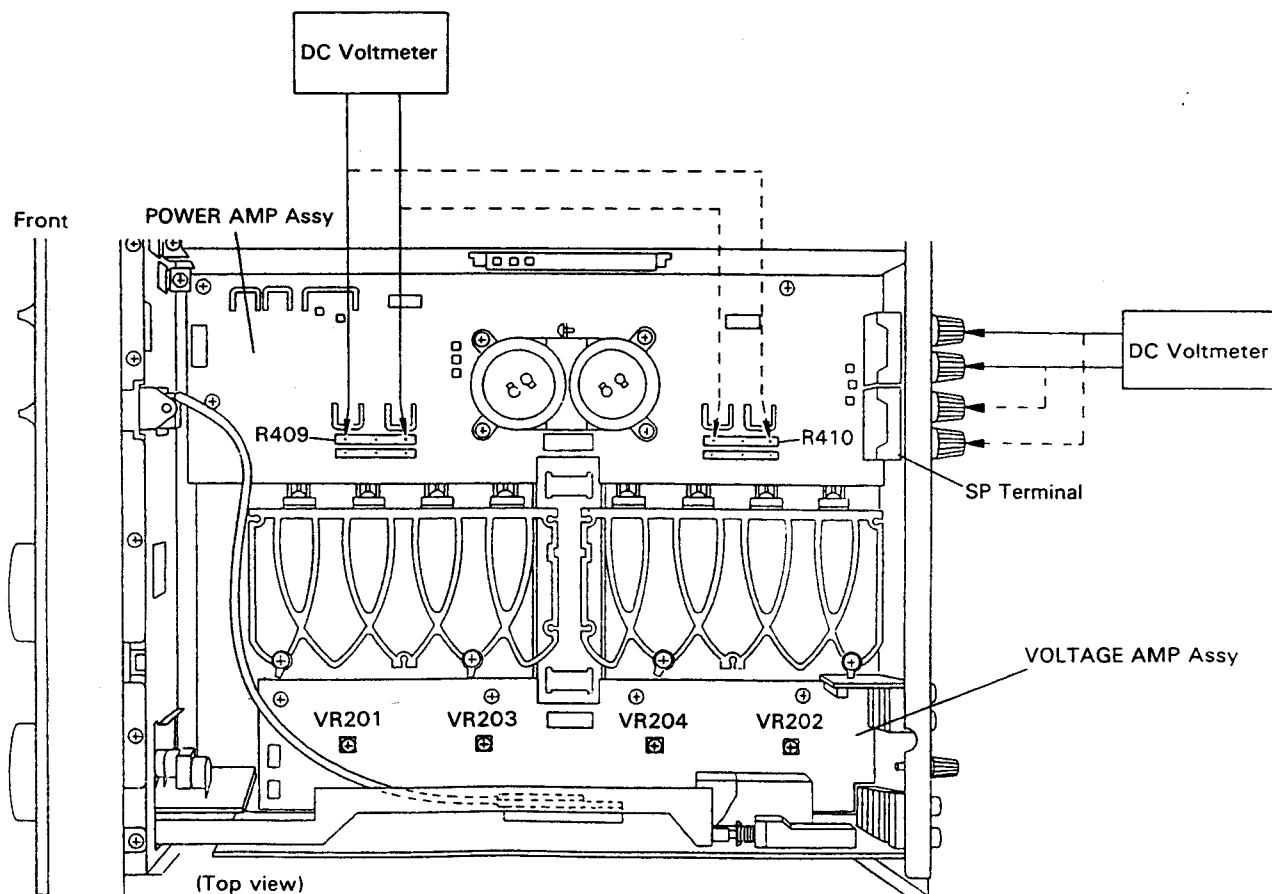


Fig. 6-1 Adjustment Method

TONE ASSY

AWZ4905 and AWZ4891 have the same construction except for the following :

Mark	Symbol & Description	Part No.		Remarks
		AWZ4891	AWZ4905	
	Q612-Q619 Q609, Q610, Q620, Q623, Q624 Q622, Q625, Q626	XDC143ES 2SC2458 XDA124ES	
	D606, D616-D620 D610-D615	HSS104-02 AEL1099	
	S604 S605 S606	ASG1029 ASG1054 ASD1026 ASG1028	
	C638 C639 C641	CKCYF103Z50 CEAS100M50 CEASR22M50	
	R647, R651-R653 R648, R657 R649, R674, R675, R677 R650 R658	RD1/8PM472J RD1/8PM102J RD1/8PM104J RD1/8PM103J RD1/4PM151J	
	R659 R660 R662-R664, R666-R668, R670-R672 R646, R661, R665, R669, R673 R688	RD1/4PM271J RD1/4PM131J RD1/8PM821J RD1/8PM222J RD1/8PM474J	
	Remote receiver unit	AXX1023	

DIODE ASSY

AWZ4896, AWZ4926 and AWZ4886 have the same construction except for the following :

Mark	Symbol & Description	Part No.			Remarks
		AWZ4886	AWZ4896	AWZ4926	
	D591-D594 D595 D596 D597	F10KF20 FMM-22S FMM-22R D5SB20F	
	C591, C592 C593, C594 C595, C596	CEAS010M100 CEAS010M100 CEAS010M100	

A-702R, A-702R-G, A-602R, A-602

INPUT ASSY

AWZ4901, AWZ4906 and AWZ4892 have the same construction except for the following :

Mark	Symbol & Description	Part No.			Remarks
		AWZ4892	AWZ4901	AWZ4906	
	Q107-Q110	2SC3327	
	Q113	2SA965	
	Q115, Q118	XDC143ES	
	Q116, Q120, Q122	XDC124ES	
	Q117, Q119	XDA143ES	
	Q121	2SC2458	
	D103, D106, D108	HSS104-02	
	S701	ASD1017	ASD1017	ASU1016	
	C134, C135	CKCYB102K50	
	C727, C733, C734	CKCYF103Z50	CKCYF103Z50	
	R143, R144	RD1/4PM101J	
	R145, R146	RD1/8PM123J	
	R147, R148	RD1/8PM223J	
	R151	RD1/8PM822J	
	R152	RD1/8PM183J	
	R153, R158	RD1/8PM103J	
	R154	RD1/4PM272J	RD1/4PM562J	RD1/4PM562J	
	R157	RD1/2PM103J	
	R745	RD1/8PM103J	RD1/8PM103J	
	PJ701 Pin jack (6P)	AKB1135	AKB1121	AKB1121	
	PJ101 Pin jack (2P)	AKB1211	AKB1100	AKB1100	
	CN13 Connector (12P)	KPE12	KPE12	

VOLTAGE AMP ASSY

AWZ4895, AWZ5076 and AWZ4883 have the same construction except for the following :

Mark	Symbol & Description	Part No.			Remarks
		AWZ4883	AWZ4895	AWZ5076	
	Q247, Q248	2SC2878	2SC2878	
	D205-D208	RD8.2ESB3	RD13ESB2	RD13ESB2	
	C203-C206	CEXA221M25	CEAS221M16	CEAS221M16	
	C231, C232, C235, C236	CEAS331M63	CEAS331M63	CEAS101M63	
	R205-R208	RDR1/4PM100J	RD1/4PM100J	RD1/4PM100J	
	R225, R226	RD1/4PM274J	RD1/4PM224J	RD1/4PM224J	
	R267-R270	RDR1/2PM472J	RD1/2PM472J	RD1/2PM472J	
	R271, R272	RDR1/4PM221J	RD1/4PM221J	RD1/4PM221J	
	R275, R276	RDR1/4PM101J	RD1/4PM101J	RD1/4PM101J	
	R289, R290	RD1/8PM562J	RD1/8PM562J	
	R293, R294	RDR1/4PM222J	RD1/4PM222J	RD1/4PM222J	
	CN22	KPE3	