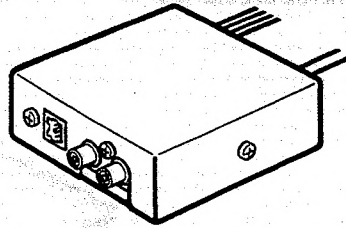


Service Manual



ORDER NO.
CRT1657

RCA TO IP-BUS INTERCONNECTOR

CD-RB20

E

● This Service Manual has been written in English and Japanese.

CONTENTS

1. PACKING METHOD.....	2	4. CONNECTION DIAGRAM.....	5
2. EXPLODED VIEW.....	3	5. ELECTRICAL PARTS LIST.....	6
3. SCHEMATIC CIRCUIT DIAGRAM.....	4		

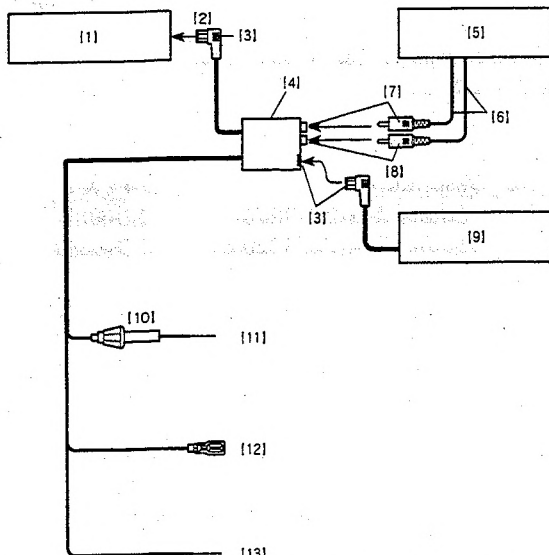
SPECIFICATIONS

Power source
..... 14.4 V DC (10.8 — 15.6 V allowable)
Grounding system Negative type
Max. current consumption 50 mA
Maximum rated input level 1V
Dimensions 84 (W) × 30 (H) × 87 (D) mm
Weight 300 g

Note:

Specifications and the design are subject to possible modification without prior notice due to improvements.

CONNECTING THE UNITS



- Before mounting, connect the units temporarily. Check that the units are connected correctly by operating the multi-CD controller.
 - Be sure to connect the ground lead (black) to the vehicle body or some other metal part that is properly grounded to the chassis. If the ground lead is not properly connected, noise may occur or the player or multi-CD controller may not operate correctly.
 - This unit is for vehicles with a 12-volt battery and negative grounding. Before installing it in a recreational vehicle, truck, or bus, check the battery voltage.
 - To avoid shorts in the electrical system, be sure to disconnect the battery (-) cable before beginning installation.
 - Check whether installation and wiring have been completed correctly. Replace the removed car components, then connect the end of the cable to the negative (-) terminal of the battery.
 - Secure the wiring with cable clamps or adhesive tape. To protect the wiring, wrap adhesive tape around them where they lie against metal parts.
 - Route and secure all wiring so it cannot touch any moving parts, such as the gear shift, handbrake, and seat rails. Do not route wiring in places that get hot, such as near the heater outlet. If the insulation of the wiring melts or gets torn, there is a danger of the wiring short-circuiting to the vehicle body.
 - Don't pass the orange lead through a hole into the engine compartment to connect to the battery. This will damage the lead insulation and cause a very dangerous short.
 - Do not shorten any leads. If you do, the protection circuit may fail to work when it should.
 - Never feed power to other equipment by cutting the insulation of the power supply lead of the unit and tapping into the lead. The current capacity of the lead will be exceeded, causing over heating.
 - Replace fuses only with the types stipulated on the fuse holder.
- | |
|---|
| [1] IP-BUS main unit |
| [2] Connected to IP-BUS input (blue) |
| [3] IP-BUS (blue) |
| [4] This unit |
| [5] External device with RCA output (car navigation units, VCRs, DAT decks, etc.) |
| [6] RCA output |
| [7] Red |
| [8] White |
| [9] IP-BUS multi-CD player |
| [10] Fuse folder |
| [11] Orange |
| To a terminal always supplied with power regardless of ignition switch position. |
| [12] Orange |
| Connect to Multi-CD unswitched power supply. |
| [13] Black (ground) |
| To vehicle (metal) body. |

PIONEER ELECTRONIC CORPORATION

4-1, Meguro 1-Chome, Meguro-ku, Tokyo 153, Japan

PIONEER ELECTRONICS SERVICE INC. P.O.Box 1760, Long Beach, California 90801 U.S.A.

PIONEER ELECTRONICS OF CANADA, INC. 300 Allstate Parkway Markham, Ontario L3R OP2 Canada

PIONEER ELECTRONIC [EUROPE] N.V. Haven 1087 Keetberglaan 1, 9120 Melsele, Belgium

PIONEER ELECTRONICS AUSTRALIA PTY.LTD. 178-184 Boundary Road, Braeside, Victoria 3195, Australia TEL:[03]580-9911

© PIONEER ELECTRONIC CORPORATION 1995

K-FFS. JAN. 1995 Printed in Japan

1. PACKING METHOD/包装仕様

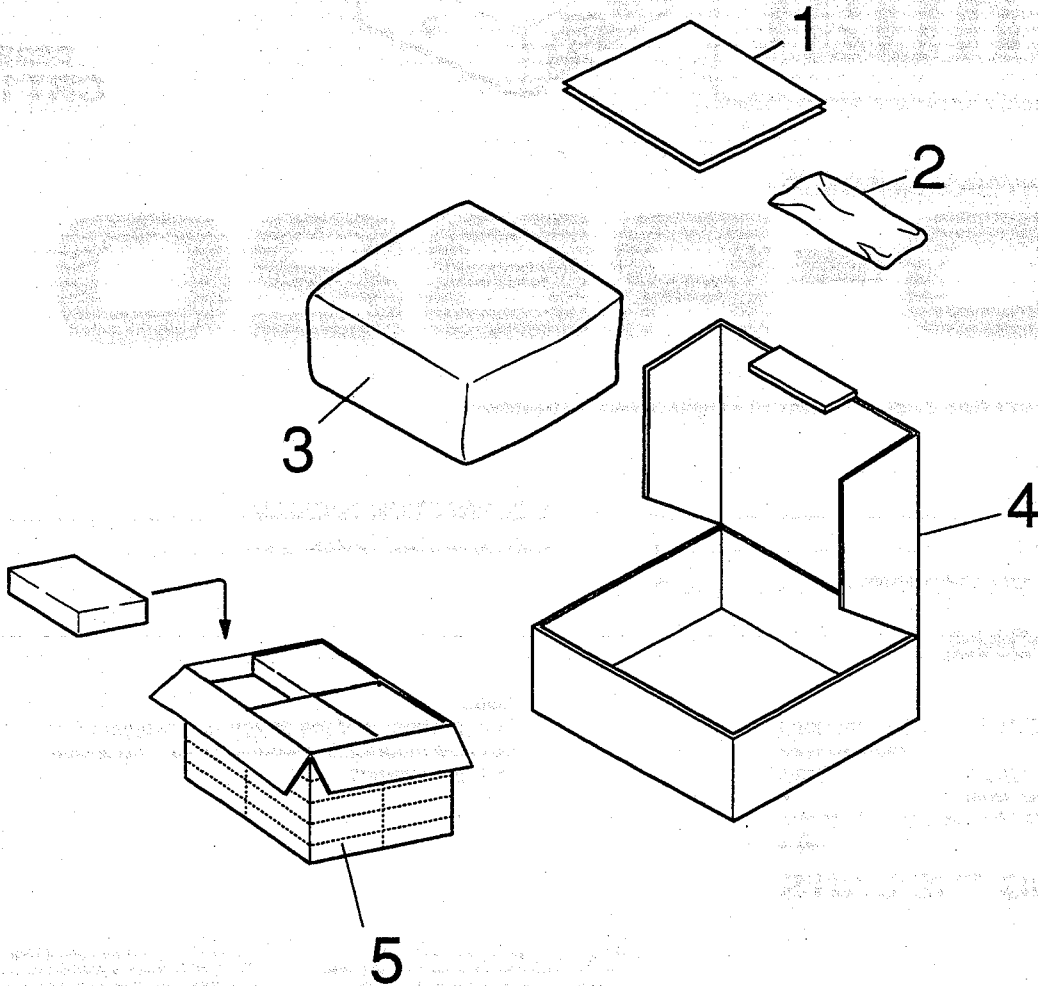


Fig.1

- Parts marked by “*” are generally unavailable because they are not in our Master Spare Parts List.
- *印の部品は、サービス用部品ではありません。従って原則として供給できません。

● Parts List

Mark	No.	Description	Part No.
	1	Owner's Manual(CD-RB20)	CZR3149
		Owner's Manual(CD-RB20/E)	CZR3153
	2	Fastener(Rough)(X2)	CNM-667
*	3	Polyethylene Bag	E36-637
	4	Carton(CD-RB20)	CZH6056
		Carton(CD-RB20/E)	CZH6062

Mark	No.	Description	Part No.
	5	Contain Box(CD-RB20)	CZH6057
		Contain Box(CD-RB20/E)	CZH6063

● Owner's Manual

Part No.	Language
CZR3153	English, French, German, Spanish, Italian

2. EXPLODED VIEW/分解図および部品表

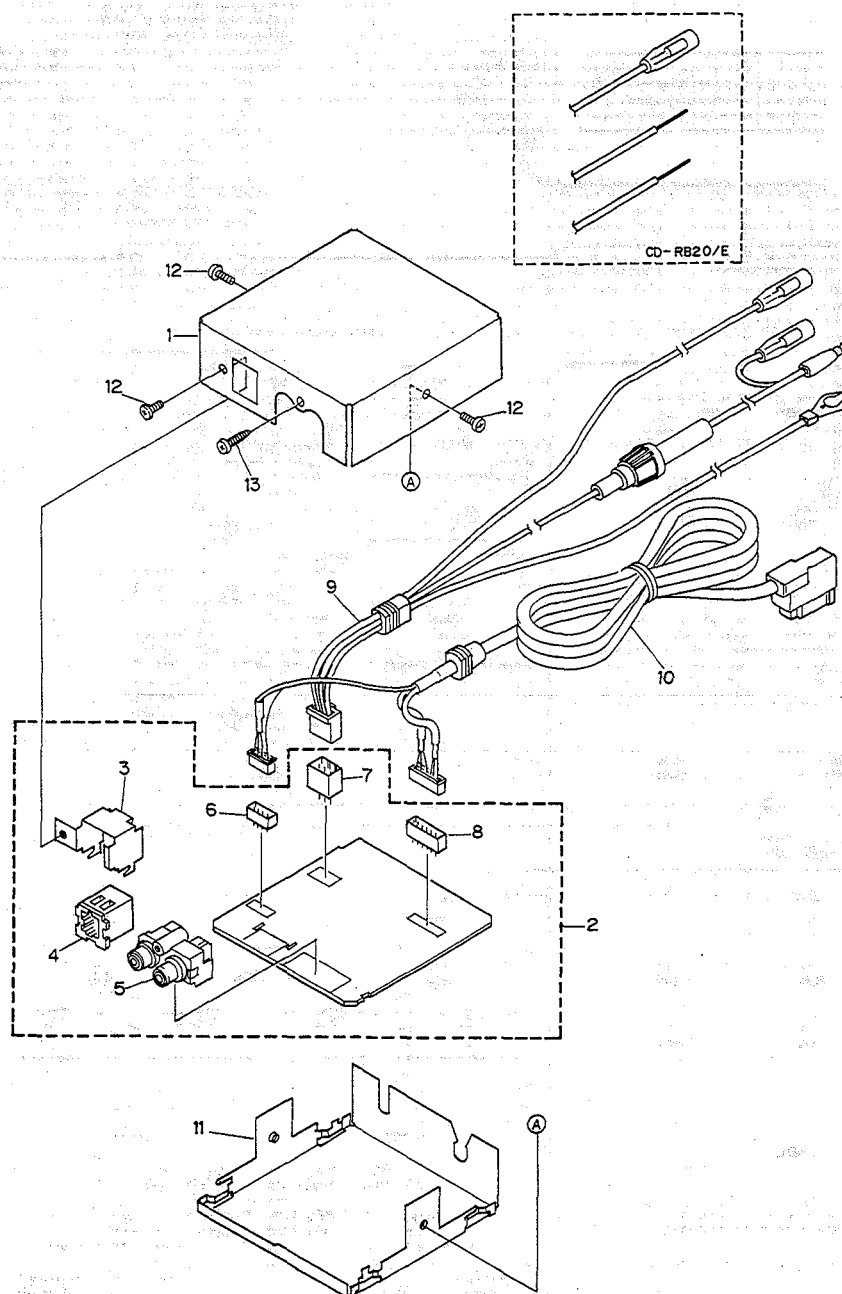
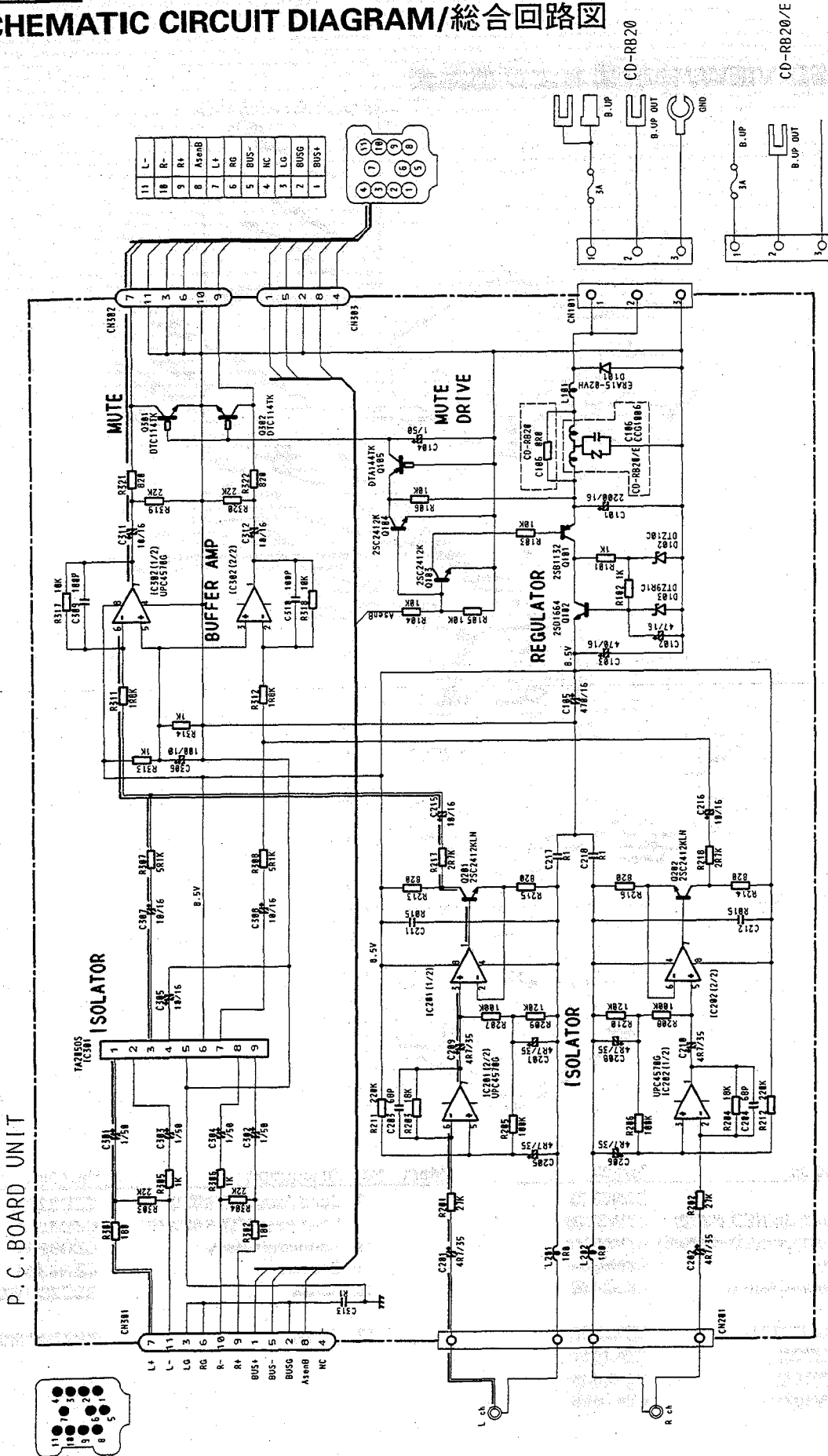


Fig.2

● Parts List

Mark No.	Description	Part No.	Mark No.	Description	Part No.
1	Case	CZN6335	9	Cord Assy(CD-RB20)	CZD3253
2	P.C.Board Unit(CD-RB20)	CZW3268		Cord Assy(CD-RB20/E)	CZD3256
	P.C.Board Unit(CD-RB20/E)	CZW3272	10	Connector Assy	CZD3254
3	Bracket	CZN6234	11	Chassis	CZN6334
4	Connector(CN301)	CKS2486	12	Screw	BSZ30P050FMC
5	Pin Jack(CN201)	CZK2058	13	Screw	BPZ30P080FMC
6	Plug(CN303)	CZK2057			
7	Plug(CN 101)	CZK2035			
8	Plug(CN302)	CZK2056			

3. SCHEMATIC CIRCUIT DIAGRAM/総合回路図



NOTE

Symbol indicates a resistor. No differentiation is made between chip resistors and discrete resistors.

—||— Symbol indicates a capacitor. No differentiation is made between chip capacitors and discrete capacitors.

Decimal points for resistor and capacitor fixed values are expressed as:
 2.2→2R2
 0.022→R022

NOTE

□ は抵抗器を表現します。
 チップ抵抗と普通抵抗との区別はありません。
 —||— はコンデンサを表現します。
 チップコンデンサと普通抵抗との区別はありません。

抵抗器とコンデンサの数値で、小数点のあるものを次のように表現しています。
 例) 2.2→2R2
 0.022→R022

Fig.3

4. CONNECTION DIAGRAM/総合パターン図

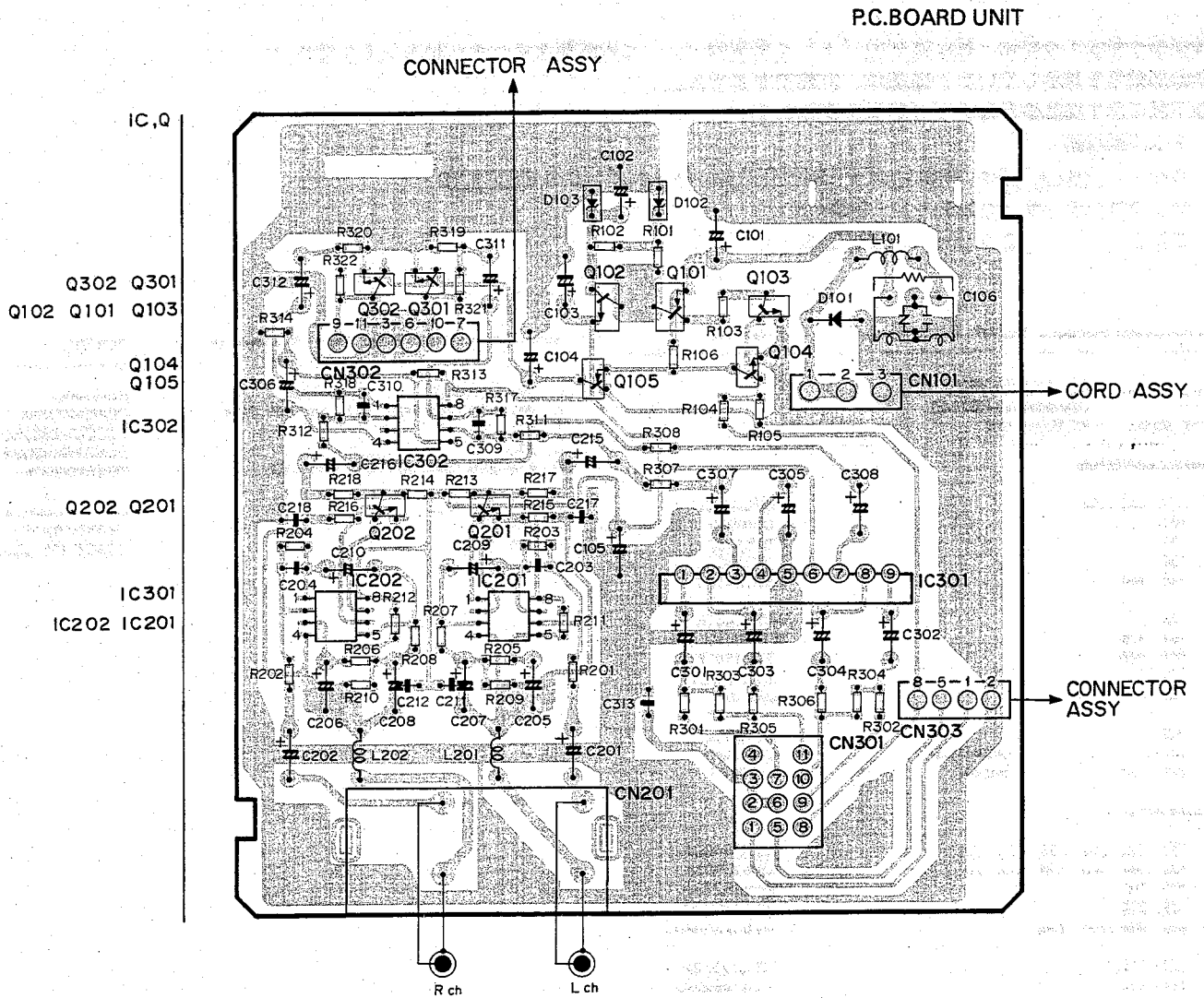


Fig.4

5. ELECTRICAL PARTS LIST/電気部品表

NOTE:

- Parts whose parts numbers are omitted are subject to being not supplied.
- The part numbers shown below indicate chip components.

Chip Resistor

RS1/○S○○○J, RS1/○○S○○○J

Chip Capacitor (except for CQS.....)

CKS....., CCS....., CSZS.....

- 部品を発注する際は、特に数字の“1”と英字の“1”との区別をはっきり記入してください。
- 部品番号を表示していない部品は、供給できません。
- 下記に示す部品番号はチップ部品を表します。

チップ抵抗器

RS1/□S□□□J, RS1/□□S□□□J, RN1/10SE□□□D

チップコンデンサ (CQS.....を除く)

CKS....., CCS....., CSZS.....

====Circuit Symbol & No. Part Name====	Part No.	====Circuit Symbol & No. Part Name====	Part No.
Unit Number : CZW3268(CD-RB20)		C 106(CD-RB20/E) EMI Filter	CCG1006
CZW3272(CD-RB20/E)		C 201 202 205 206 207 208 209 210	CEAS4R7M35
Unit Name : P.C.Board Unit		C 203 204	CCSQCH680J50
		C 211 212	CKSQYB153K50
		C 215 216 305 307 308 311 312	CEAS100M16
MISCELLANEOUS		C 217 218 313	CKSQYB104K25
IC 201 202 302	UPC4570G	C 306	CEAS101M10
IC 301	TA2050S	C 309 310	CCSQCH101J50
Q 101	2SB1132		
Q 102	2SD1664		
Q 103 104	2SC2412K		
Q 105	DTA144TK		
Q 201 202	2SC2412KLN		
Q 301 302	DTC114TK		
D 101	ERA15-02VH		
D 102	DTZ10C		
D 103	DTZ9R1C		
L 101	CTH1122		
L 201 202	CZT2017		
	Choke Coil		
	Inductor		
RESISTORS			
R 101 102 305 306 313 314	RS1/10S102J		
R 103 104 105 106 317 318	RS1/10S103J		
R 201 202	RS1/10S273J		
R 203 204	RS1/10S183J		
R 205 206 207 208	RS1/10S104J		
R 209 210	RS1/10S124J		
R 211 212	RS1/10S224J		
R 213 214 215 216 321 322	RS1/10S821J		
R 217 218	RS1/10S272J		
R 301 302	RS1/10S181J		
R 303 304 319 320	RS1/10S223J		
R 307 308	RS1/10S512J		
R 311 312	RS1/10S182J		
CAPACITORS			
C 101	2200 μ F/16V	CCH1001	
C 102		CEAS470M16	
C 103 105		CEAS471M16	
C 104 301 302 303 304		CEAS010M50	
C 106(CD-RB20)		RD1/4VS0R0JL	