

# Service Manual

ORDER NO.  
CRT1366

RCA TO DIN ADAPTOR

# CD-RD100 E

## SPECIFICATIONS

Power source .... 14.4 V DC (10.8–15.6 V allowable)  
Grounding system ..... Negative type  
Dimensions ..... 83 (W) × 30 (H) × 57 (D) mm  
Weight ..... 210 g  
Frequency response ..... 20–20,000 Hz  
Rated output level/output impedance  
..... 100 mV/1 k $\Omega$  (at 500mV input level)

**Note:**

Specifications and the design are subject to possible modification without notice due to improvements.

## CONTENTS

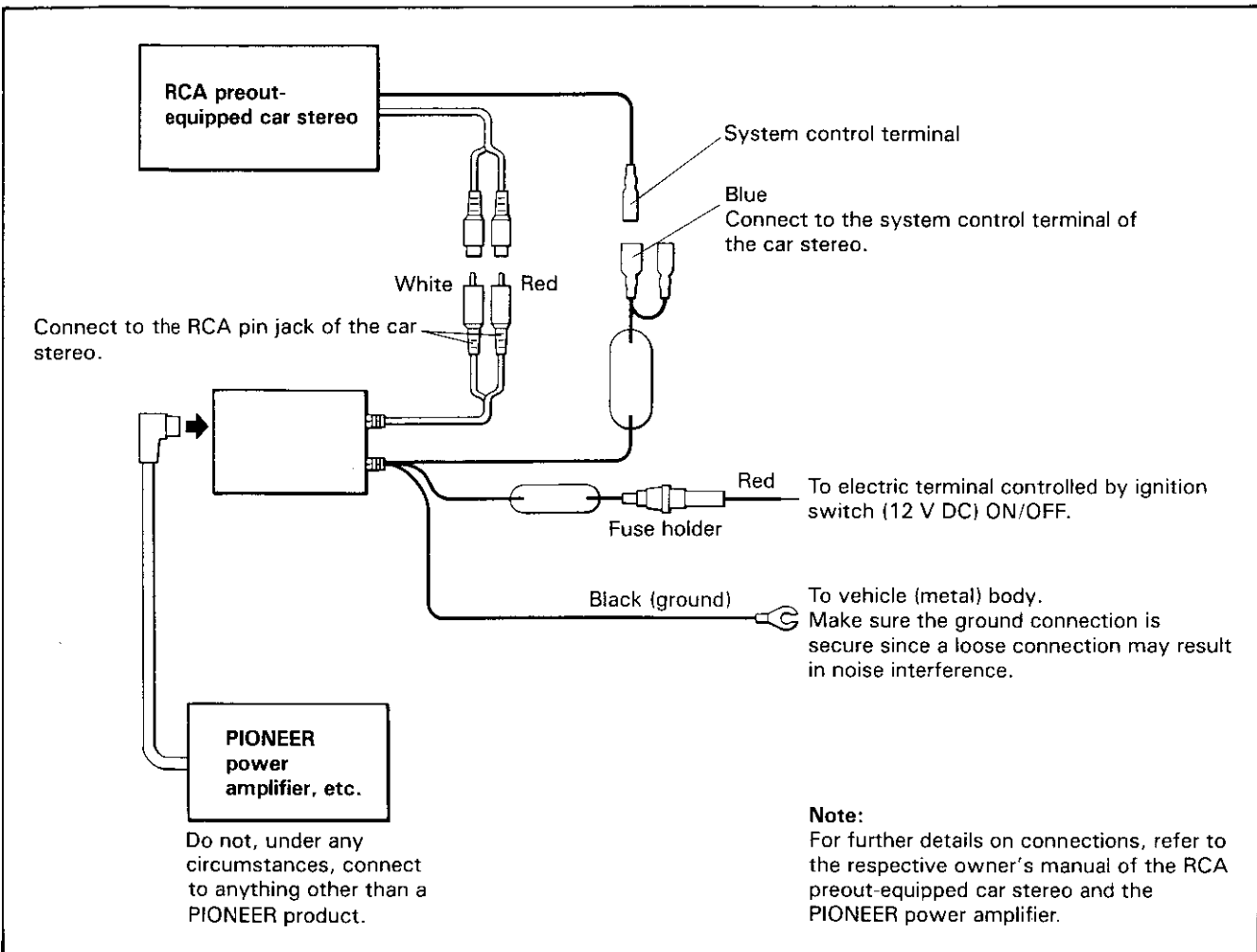
1. CONNECTIONS .....	2
2. SCHEMATIC CIRCUIT DIAGRAM .....	3
3. CONNECTION DIAGRAM .....	5
4. EXPLODED VIEWS AND PARTS LIST .....	7
5. ELECTRICAL PARTS LIST .....	9

---

**PIONEER ELECTRONIC CORPORATION** 4-1, Meguro 1-Ch $\ddot{u}$ me, Meguro-ku, Tokyo 153, Japan  
**PIONEER ELECTRONICS SERVICE INC.** P.O. Box 1760, Long Beach, California 90801 U.S.A.  
**PIONEER ELECTRONICS OF CANADA, INC.** 505 Cochrane Drive, Markham, Ontario L3R 8E3 Canada  
**PIONEER ELECTRONIC [EUROPE] N.V.** Keetberglaan 1, 2740 Beveren, Belgium  
**PIONEER ELECTRONICS AUSTRALIA PTY. LTD.** 178-184 Boundary Road, Braeside, Victoria 3195, Australia TEL: [03] 580-9911  
© PIONEER ELECTRONIC CORPORATION 1991

ET MAR. 1991 Printed in Japan

# 1. CONNECTIONS



## PRODUCT DESCRIPTION

CD-RD100, an adaptor connecting RCA preout-equipped car stereo (500 mV output level) and a unit (Example: Power amplifier) with PIONEER DIN input.

## CAUTIONS

- Do not install the unit at the foot of the driver's seat, or at any other location that impair driving operations.
- Do not install the unit near heater vents to prevent malfunction of the unit due to heat.
- Replace the fuse only with the type stipulated on the fuse holder.

2. SCHEMATIC CIRCUIT DIAGRAM

A

B

C

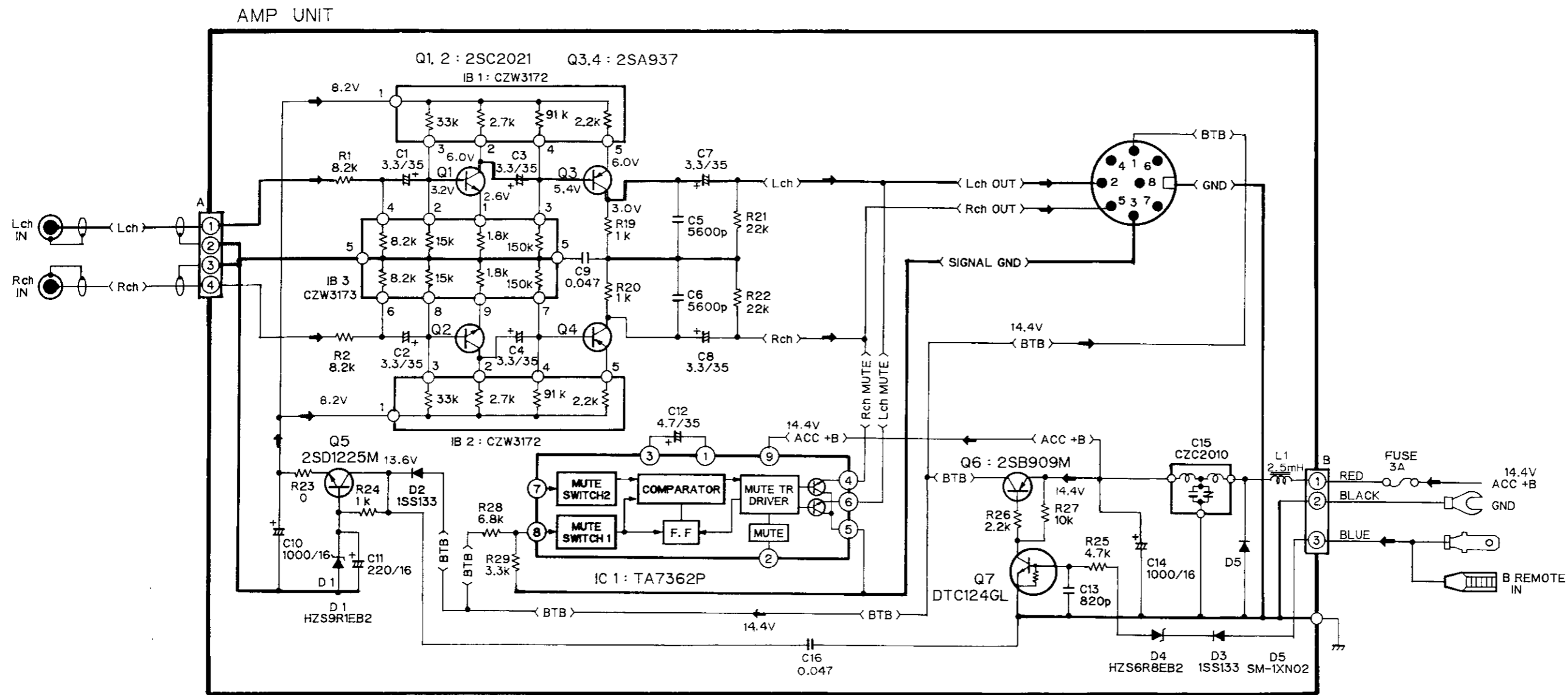
D

A

B

C

D



TA7362P

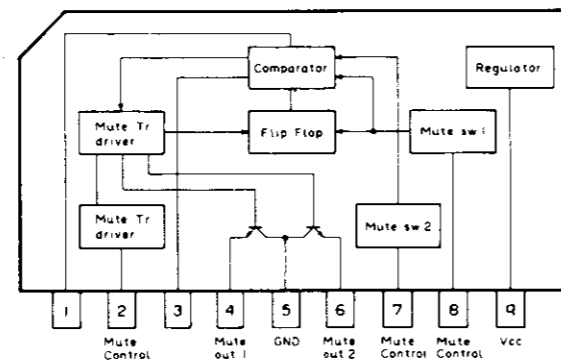
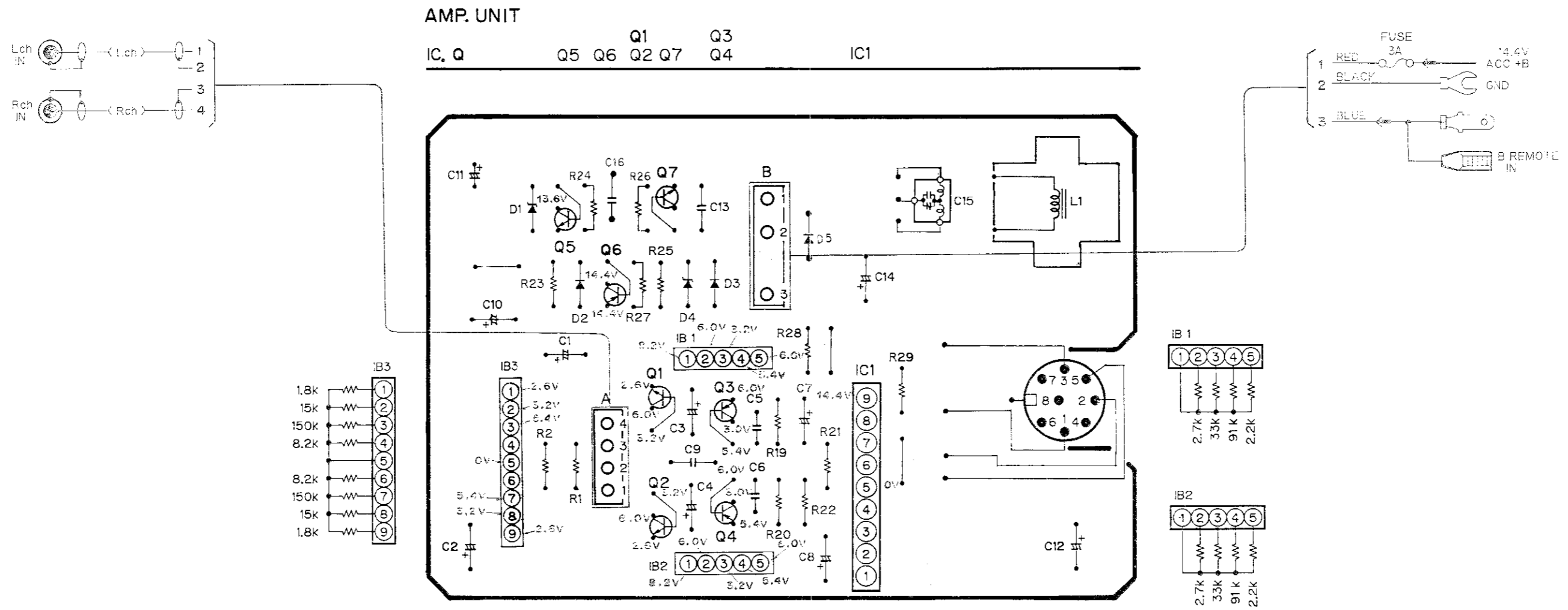


Fig. 1

3. CONNECTION DIAGRAM

A

A



B

B

C

C

D

D

Fig. 2

1

2

3

4

5

6

6

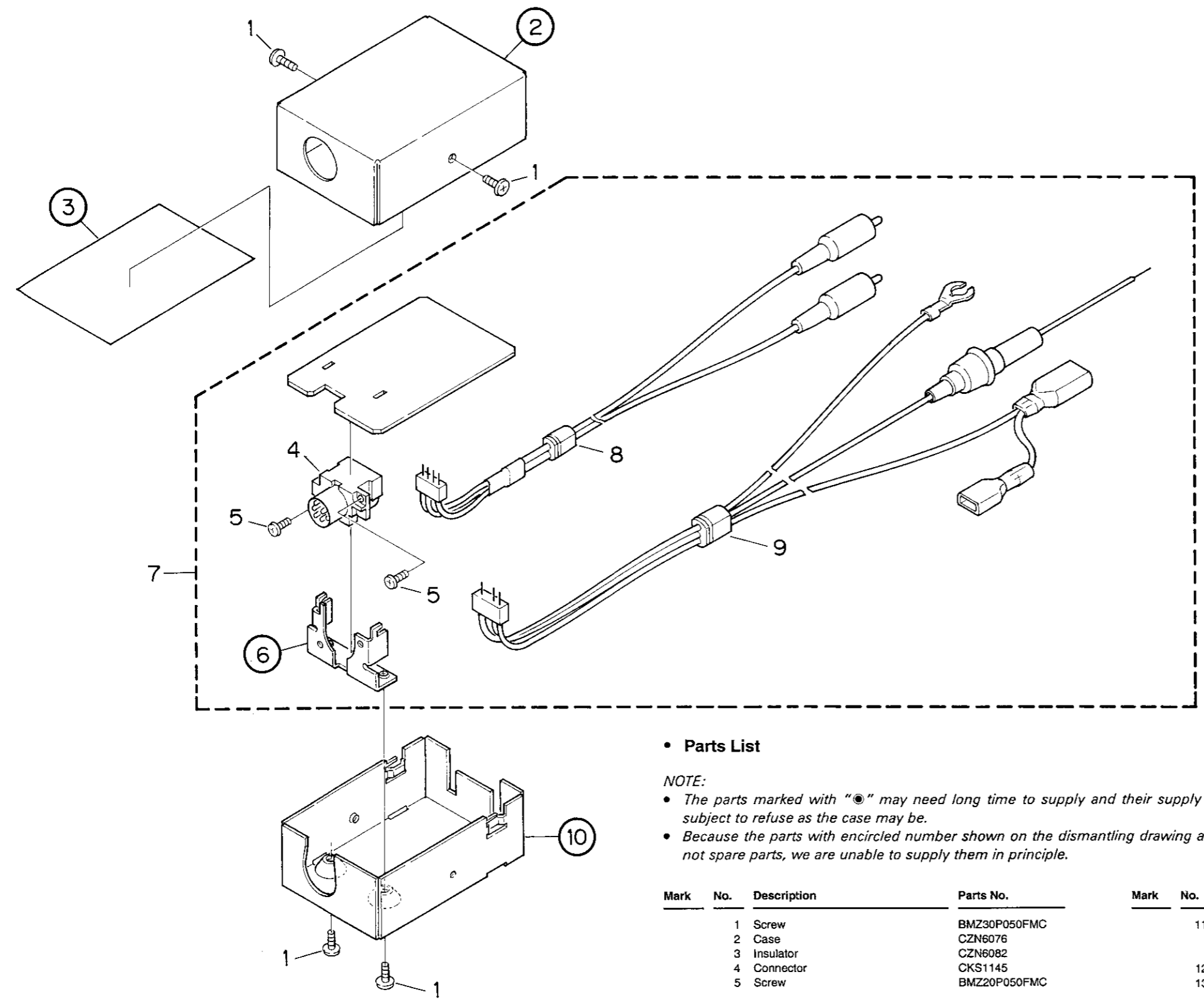
4. EXPLODED VIEWS AND PARTS LIST

A

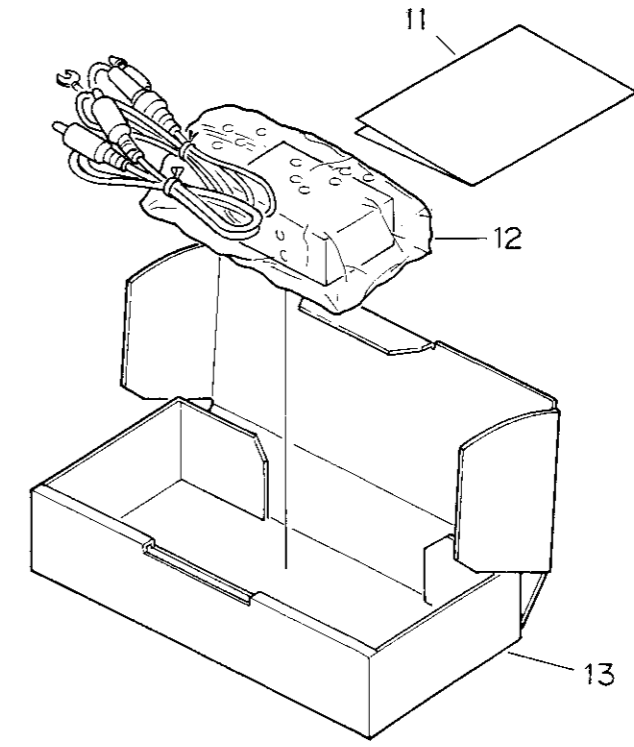
B

C

D



• PACKING METHOD



A

B

C

D

• Parts List

NOTE:  
 • The parts marked with "●" may need long time to supply and their supply is subject to refuse as the case may be.  
 • Because the parts with encircled number shown on the dismantling drawing are not spare parts, we are unable to supply them in principle.

Mark	No.	Description	Parts No.	Mark	No.	Description	Parts No.
	1	Screw	BMZ30P050FMC		11	Owner's Manual (English, French, Spanish, German, Swedish)	CZR3107
	2	Case	CZN6076		12	Air Cushioned Bag	CZE2083
	3	Insulator	CZN6082		13	Carton	CZH3259
	4	Connector	CKS1145				
	5	Screw	BMZ20P050FMC				
	6	Bracket	CZN6081				
●	7	Amp Unit	CZW3177				
	8	Connector Assy	CZD3181				
	9	Connector Assy	CZD3180				
	10	Chassis	CZN6075				

Fig. 3

## 5. ELECTRICAL PARTS LIST

### NOTE:

- Parts whose parts numbers are omitted are subject to being not supplied.
- The part numbers shown below indicate chip components.

Chip Resistor

RS1/8S □□□J, RS1/10S □□□J

Chip Capacitor (except for CQS.....)

CKS....., CCS....., CSZS.....

Unit Number :

Unit Name : Amp Unit

### MISCELLANEOUS

Mark	====	Circuit Symbol & No.	====	Part Name	Part No.
IC	1				TA7352P
Q	1	2			2SC2021
Q	3	4			2SA937
Q	5				2SD1225M
Q	6				2SB909M
Q	7				DTC124GL
D	1				HZS9R1EB2
D	2	3			1SS133
D	4				HZS6R8EB2
D	5				SM-1XN02
IB	1	2			GZW3172
IB	3				GZW3173
L	1		Choke Coil	2.5mH	CZT2013

### RESISTORS

Mark	====	Circuit Symbol & No.	====	Part Name	Part No.
R	1	2			RD1/4PS822JL
R	19	20 24			RD1/4PS102JL
R	21	22			RD1/4PS223JL
R	23				RD1/4PS0R0JL
R	25				RD1/4PS472JL
R	26				RD1/4PS222JL
R	27				RD1/4PS103JL
R	28				RD1/4PS682JL
R	29				RD1/4PS332JL

### CAPACITORS

Mark	====	Circuit Symbol & No.	====	Part Name	Part No.
C	1	2 3 4 7 8			CEA3R3M35L2
C	5	6			CQMA562J50L
C	9	16			CQFA473J50L
C	10	14	1000 $\mu$ F/16V		CZC2014
C	11				CEA221M16L2
C	12				CEA4R7M35L2
C	13				CKPYB821K50L
C	15				CZC2010