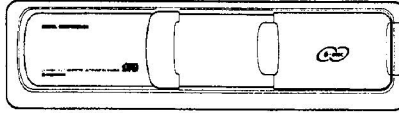


Service Manual

PIONEER®
The Art of Entertainment

CDX-P626S/UC



ORDER NO.
CRT1854

MULTI-COMPACT DISC PLAYER

CDX-P626S UC

CDX-P620S UC, ES, EW

COMPACT
disc
DIGITAL AUDIO

- See the separate manual CX-652(CRT1857) for the CD mechanism description, disassembly and circuit description.
- The CD mechanism employed in this model is one of CX-652 series.

CONTENTS

1. SAFETY INFORMATION	2	7. IC INFORMATION	17
2. SPECIFICATIONS	3	8. ELECTRICAL PARTS LIST	23
3. OPERATION AND CONNECTION	4	9. BLOCK DIAGRAM	25
4. DISASSEMBLY	6	10. CIRCUIT DIAGRAM AND PATTERN	26
5. ADJUSTMENT	7	11. EXPLODED VIEW AND PARTS LIST	42
6. TEST MODE	14	12. PACKING METHOD	47

PIONEER ELECTRONIC CORPORATION

4-1, Meguro 1-Chome, Meguro-ku, Tokyo 153, Japan

PIONEER ELECTRONICS SERVICE INC. P.O.Box 1760, Long Beach, CA 90801-1760 U.S.A.

PIONEER ELECTRONIC [EUROPE] N.V. Haven 1087 Keetberglaan 1, 9120 Melsele, Belgium

PIONEER ELECTRONICS ASIACENTRE PTE.LTD. 501 Orchard Road, #10-00, Lane Crawford Place, Singapore 0923

© PIONEER ELECTRONIC CORPORATION 1996

K-FFM. JUNE 1996 Printed in Japan

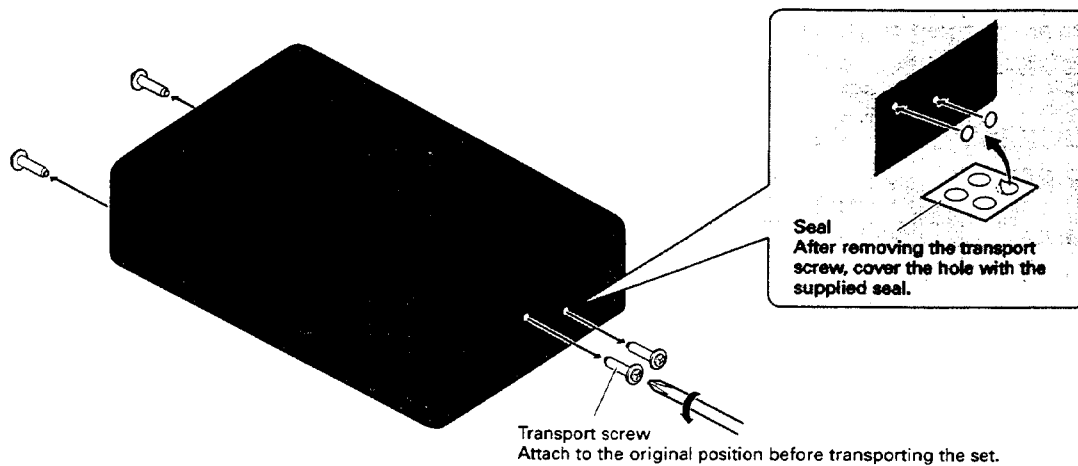
● CD Player Service Precautions

1. For pickup unit(Service)(CXX1235) handling, please refer to "Disassembly"(CX-652 Service Manual CRT1857).

During replacement, handling precautions shall be taken to prevent an electrostatic discharge(protection by a short pin).

2. During disassembly, be sure to turn the power off since an internal IC might be destroyed when a connector is plugged or unplugged.

3. Please checking the grating after changing the pickup unit(see page 8) since these screws protects the mechanism during transport, be sure to affix it when it is transported for repair, etc.



A transport screw has been attached to the set in order to protect it during transportation. After removing the transport screw, cover the hole with the supplied seal.

Be sure to remove the transport screw before mounting the set. The removed transport screw should be retained in the accessory bag for use the next time the set is transported.

Seal
After removing the transport screw, cover the hole with the supplied seal.

Transport screw
Attach to the original position before transporting the set.

fig. 1

1. SAFETY INFORMATION

1.1 CDX-P626S/UC, P620S/UC

CAUTION

This service manual is intended for qualified service technicians; it is not meant for the casual do-it-yourselfer. Qualified technicians have the necessary test equipment and tools, and have been trained to properly and safely repair complex products such as those covered by this manual.

Improperly performed repairs can adversely affect the safety and reliability of the product and may void the warranty. If you are not qualified to perform the repair of this product properly and safely; you should not risk trying to do so and refer the repair to a qualified service technician.

WARNING

Lead in solder used in this product is listed by the California Health and Welfare agency as a known reproductive toxicant which may cause birth defects or other reproductive harm (California Health & Safety Code, Section 25299.5). When servicing or handling circuit boards and other components which contain lead in solder, avoid unprotected skin contact with the solder. Also, when soldering do not inhale any smoke or fumes produced.

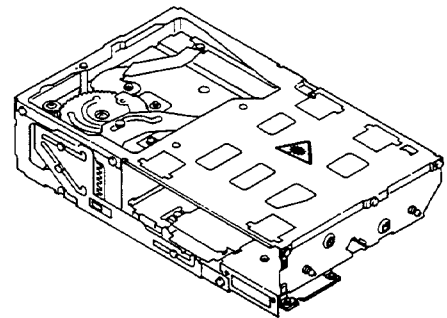
1.2 CDX-P620S/EW

1. Safety Precautions for those who Service this Unit.

- Follow the adjustment steps (see pages 8 through 13) in the service manual when servicing this unit. When checking or adjusting the emitting power of the laser diode exercise caution in order to get safe, reliable results.

Caution:

1. During repair or tests, minimum distance of 13cm from the focus lens must be kept.
 2. During repair or tests, do not view laser beam for 10 seconds or longer.
2. A "CLASS 1 LASER PRODUCT" label is affixed to the rear of the player.
3. The triangular label is attached to the mechanism unit frame.



4. Specifications of Laser Diode

Specifications of laser radiation fields to which human access is possible during service.

Wavelength = 800 nanometers

2. SPECIFICATIONS

General

System	Compact disc audio system
Usable discs	Compact Disc
Signal format	Sampling frequency: 44.1 kHz
	Number of quantization bits: 16; linear
Power source	14.4 V DC
	(10.8 — 15.1 V allowable)
Max. current consumption	1.0 A
Weight	1.8 kg (4.0 lbs.)
Dimensions	248 (W) × 66 (H) × 158 (D) mm
	[9-3/4 (W) × 2-5/8 (H) × 6-1/4 (D) in.]

Audio

Frequency characteristics	5 — 20,000 Hz (± 1dB)
Signal-to-noise ratio(UC model)	92 dB (IHF-A NETWORK)
Signal-to-noise ratio(ES,EW model)	92 dB (IEC-A NETWORK)
Distortion	0.005 %
Dynamic range	90 dB (1 kHz)
Output level	1,000 mV (1 kHz, 0 dB)
Number of channels	2 (stereo)

Note:

Specifications and design are subject to possible modification without prior notice due to improvements.

3. OPERATION AND CONNECTION

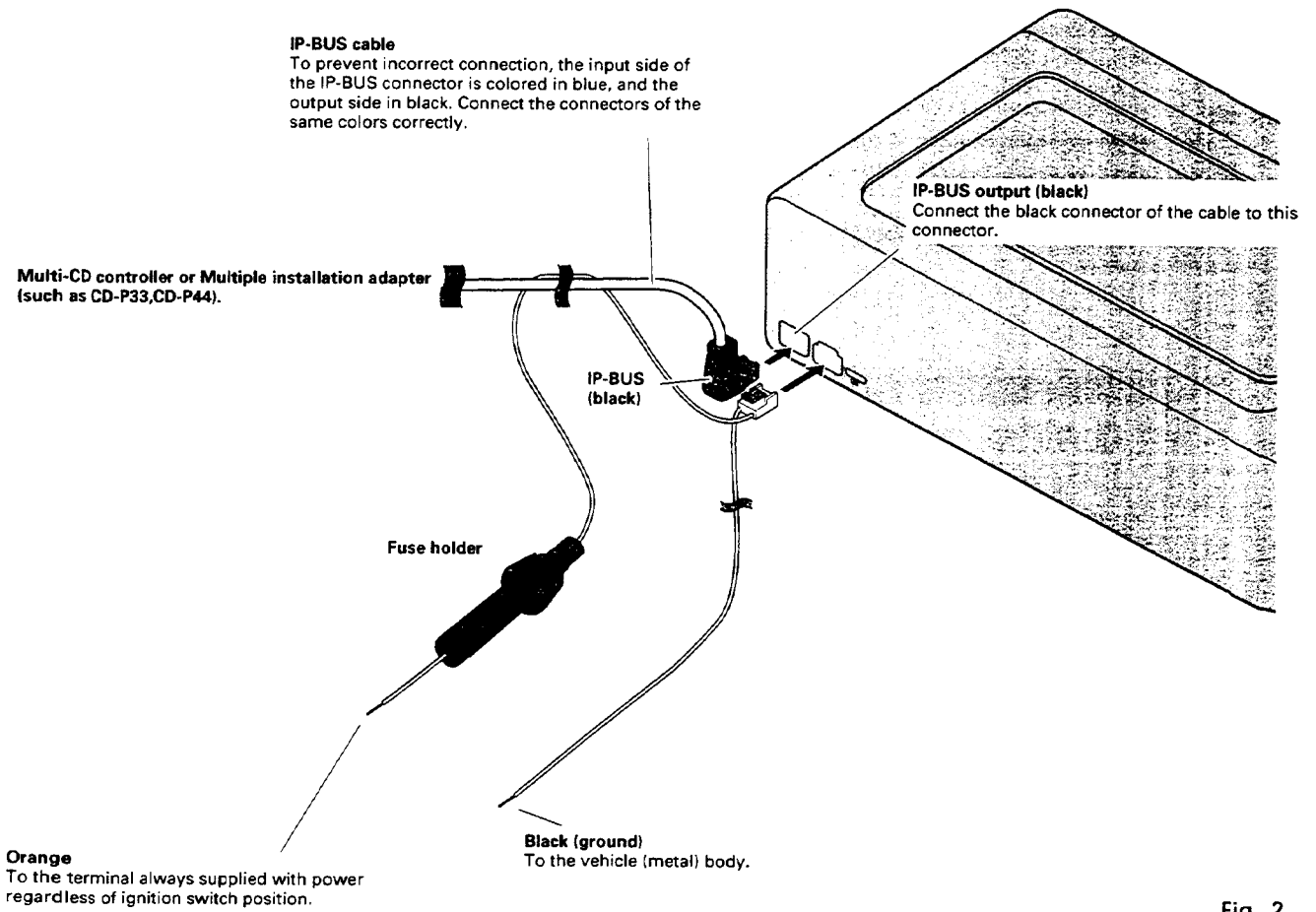


Fig. 2

Changing the Address Switch

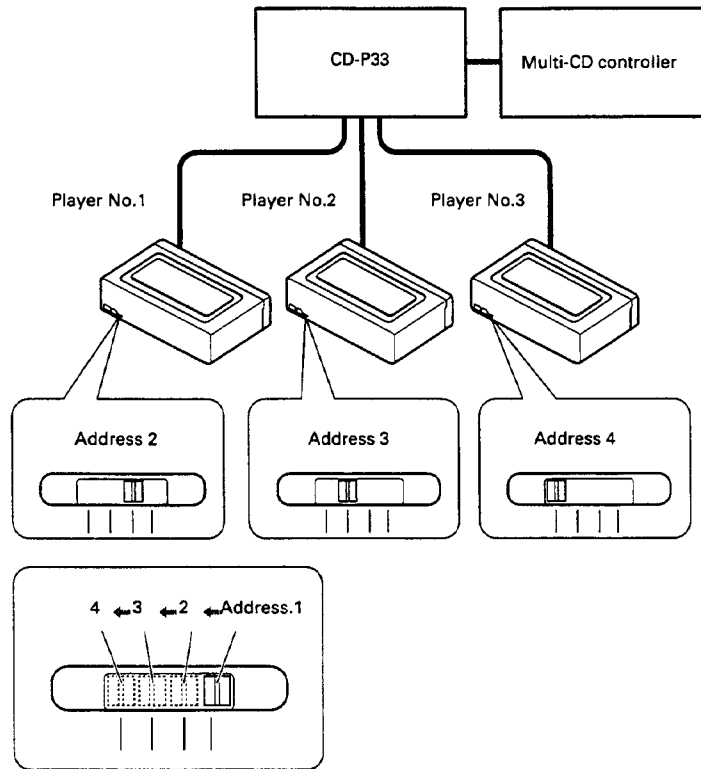


Fig. 3

Pressing the clear button

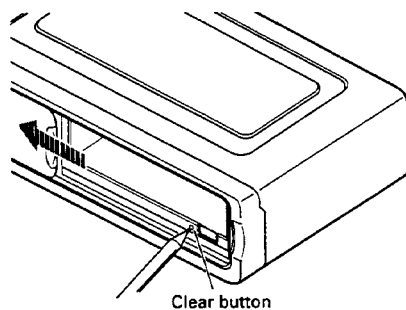


Fig. 4

If the power does not switch on or if the compact disc player does not operate when the button on the multi-CD controller is pressed, or if the multi-CD controller display is incorrect, press this button on the player with the tip of a pencil to restore normal operation. (This button is located inside the door.) **Always press the clear button on the multi-CD controller, too, after pressing this button.**

- If the clear button is pressed when the player contains a magazine or the ignition switch is set to the ON or ACC position, the CD title display and ITS memory are cleared.

4. DISASSEMBLY

● Removing the Upper Case

- 1.Remove the nine screws and then remove the upper case.

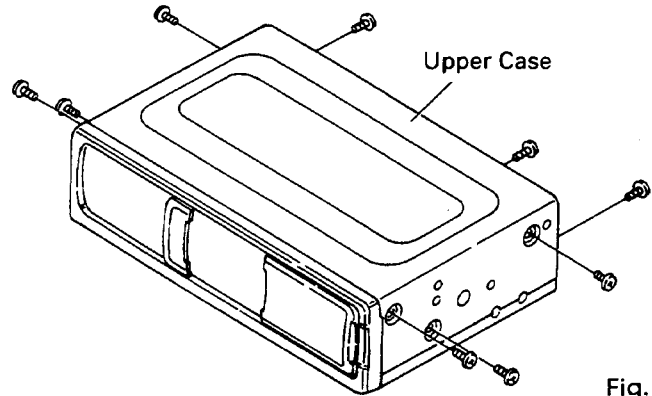


Fig. 5

● Removing the CD Mechanism Module

- 1.Remove the four dampers.
- 2.Remove the two springs.
- 3.Disconnect the connector and then remove the CD mechanism module.

● Removing the Grille Assy

- 1.Press the two tabs indicated by arrows and then pull out the grille assy.

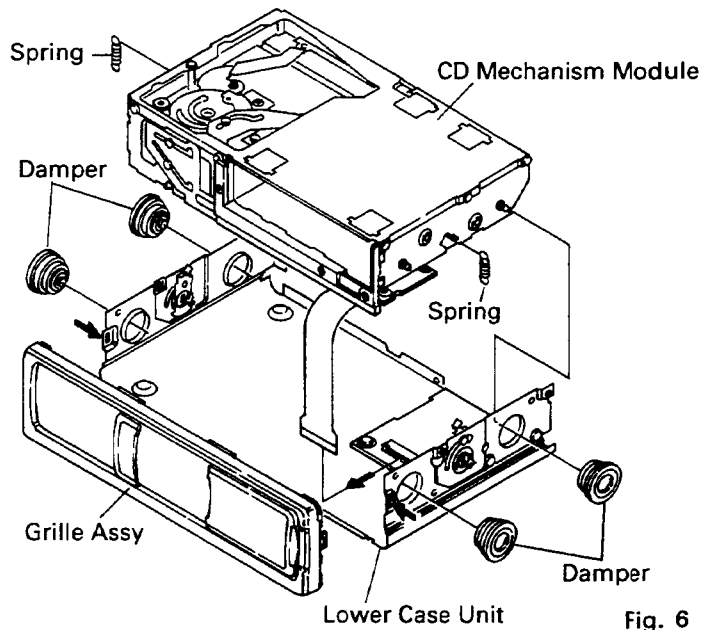


Fig. 6

● Removing the Extension Unit

- 1.Remove the two screws A and the screw B.
- 2.Stretch the claw indicated by arrow and then remove the extension unit.

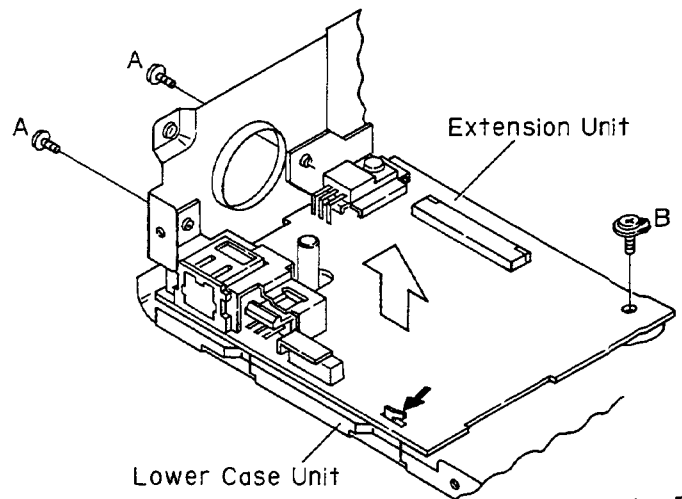


Fig. 7

5. ADJUSTMENT

5.1 CD ADJUSTMENT

1)Precautions

- This unit uses a single power supply (+5V) for the regulator. The signal reference potential, therefore, is connected to REFO(approx. 2.5V) instead of GND. If REFO and GND are connected to each other by mistake during adjustments,not only will it be impossible to measure the potential correctly,but the servo will malfunction and a severe shock will be applied to the pick-up. To avoid this,take special note of the following.

Do not connect the negative probe of the measuring equipment to REFO and GND together. It is especially important not to connect the channel 1 negative probe of the oscilloscope to REFO with the channel 2 negative probe connected to GND.

Since the frame of the measuring instrument is usually at the same potential as the negative probe,change the frame of the measuring instrument to floating status.

If by accident REFO comes in contact with GND,immediately switch the regulator or power OFF.
- Always make sure the regulator is OFF when connecting and disconnecting the various filters and wiring required for measurements.
- Before proceeding to further adjustments and measurements after switching regulator ON,let the player run for about one minute to allow the circuits to stabilize.
- Since the protective systems in the unit's software are rendered inoperative in test mode,be very careful to avoid mechanical and /or electrical shocks to the system when making adjustment.
- This unit is adjusted in a combination with the CD control unit (KEH-P7000, etc.). Each regulator key should be operated at the unit.

With the KEH-P7000 taken up for reference, a description will be given below concerning how to enter into the test mode, including key operations. The key in the adjustment text is also one of the KEH-P7000 keys.
- How to enter into the test mode

Switch ACC,back-up ON while pressing the 4 and 6 keys together.
- Resetting the test mode

Switch ACC,back-up Off.
- Disc detection during loading and eject operations is performed by means of a photo transistor in this unit.Consequently,if the inside of the unit is exposed to a strong light source when the outer casing is removed for repairs or adjustment,the following malfunctions may occur.
 - *During PLAY, even if the eject button is pressed,the disc will not be ejected and the unit will remain in the PLAY mode.
 - *The unit will not load a disc.

When the unit malfunctions this way,either re-position the light source,move the unit or cover the photo transistor.
- When loading and unloading discs during adjustment procedures,always wait for the disc to be properly clamped or ejected before pressing another key. Otherwise, there is a risk of the actuator being destroyed.
- Turn power off when pressing the button **FF** or the button **REV** key for focus search in the test mode. (Or else lens may stick and the actuator may be damaged.)
- SINGLE/4TRK/10TRK/32TRK will continue to operate even after the key is released.Tracking is closed the moment C-MOVE is released.
- JUMP MODE resets to SINGLE as soon as power is switched off.

5.2 CHECKING THE GRATING

● Checking the Grating After Changing the PU Unit

Note :

Unlike previous CD mechanism modules the grating angle of the PU unit cannot be adjusted after the PU unit is changed. The PU unit in the CD mechanism module is adjusted on the production line to match the CD mechanism module and is thus the best adjusted PU unit for the CD mechanism module. Changing the PU unit is thus best considered as a last resort. However, if the PU unit must be changed, the grating should be checked using the procedure below.

Purpose :

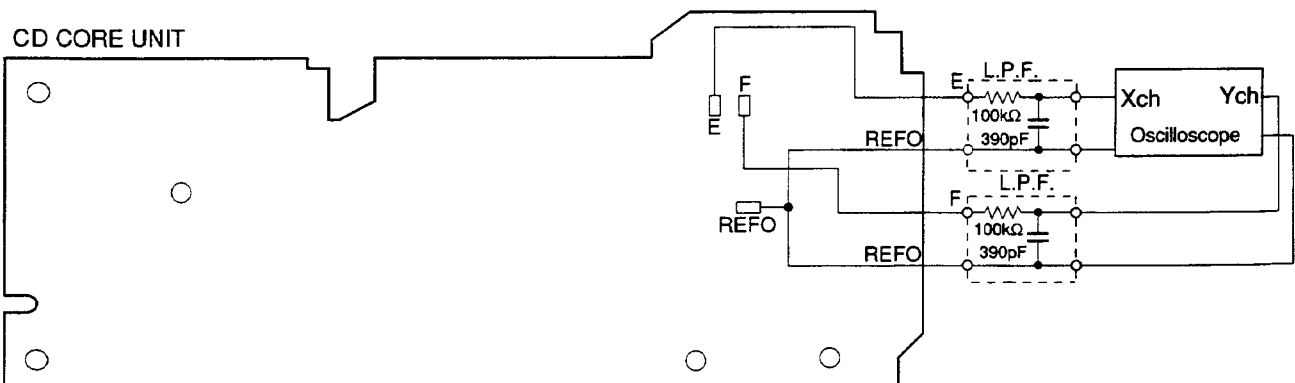
To check that the grating is within an acceptable range.

Symptoms of Mal-adjustment :

If the grating is off by a large amount symptoms such as being unable to close tracking, being unable to perform track search operations, or track searching taking a long time, may appear.

Method :

- | | |
|-----------------------|----------------------------|
| · Measuring Equipment | · Oscilloscope, Two L.P.F. |
| · Measuring Points | · E, F, REFOUT |
| · Disc | · ABEX TCD-784 |
| · Mode | · TEST MODE |



Checking Procedure

1. In test mode, load the disc and switch the 5V regulator on.
2. Using the FF and REV buttons, move the PU unit to the innermost track.
3. Press key 9 to close focus, the display should read "91". Press key 8 to implement the tracking balance adjustment the display should now read "81". Press key 9 4 times. The display will change, returning to "81" on the fourth press.
4. As shown in the diagram above, monitor the L.P.F. outputs using the oscilloscope and check that the phase difference is within 75°. Refer to the photographs supplied to determine the phase angle.
5. If the phase difference is determined to be greater than 75° try changing the PU unit to see if there is any improvement. If, after trying this a number of times, the grating angle does not become less than 75° then the mechanism should be judged to be at fault.

Note

Because of eccentricity in the disc and a slight misalignment of the clamping center the grating waveform may be seen to "wobble" (the phase difference changes as the disc rotates). The angle specified above indicates the average angle.

Hint

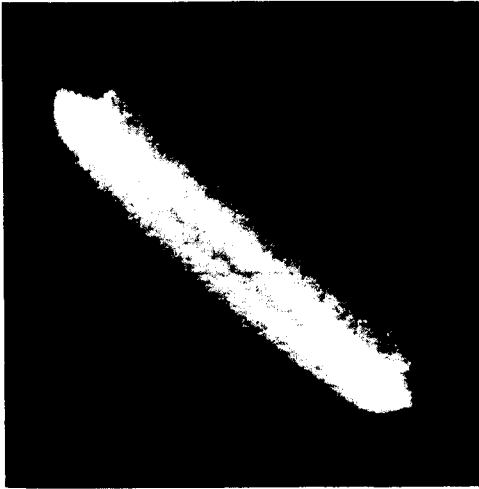
Reloading the disc changes the clamp position and may decrease the "wobble".

Grating waveform

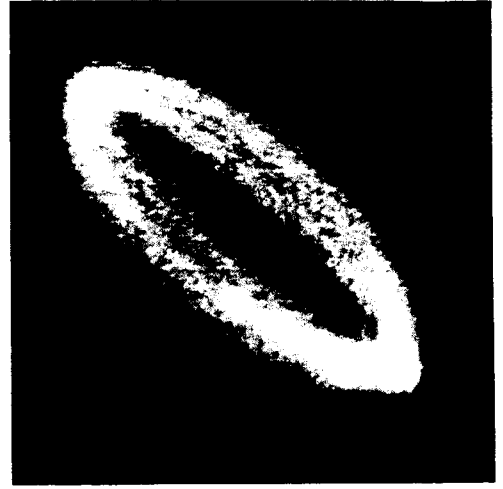
Ech → Xch 20mV/div, AC

Fch → Ych 20mV/div, AC

0°



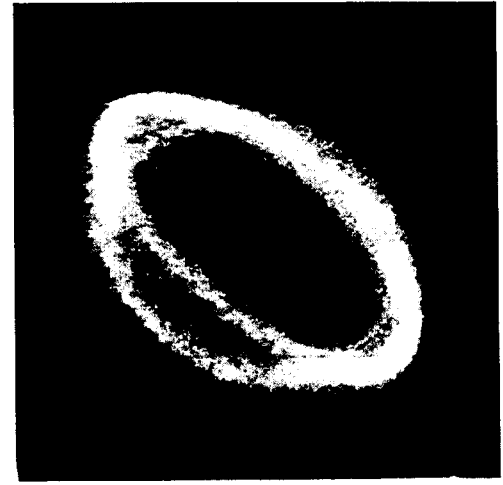
30°



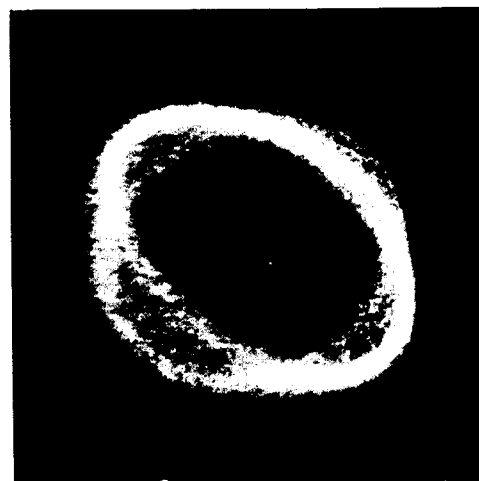
45°



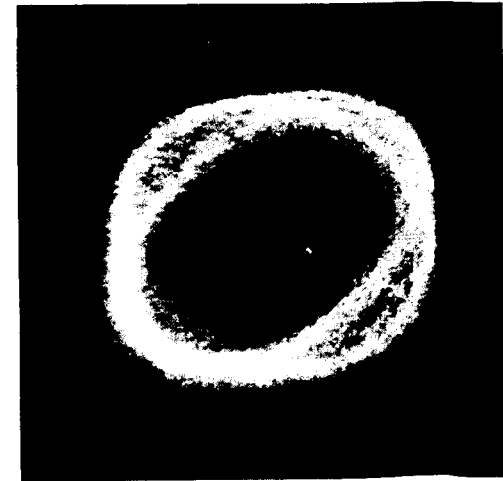
60°



75°



90°



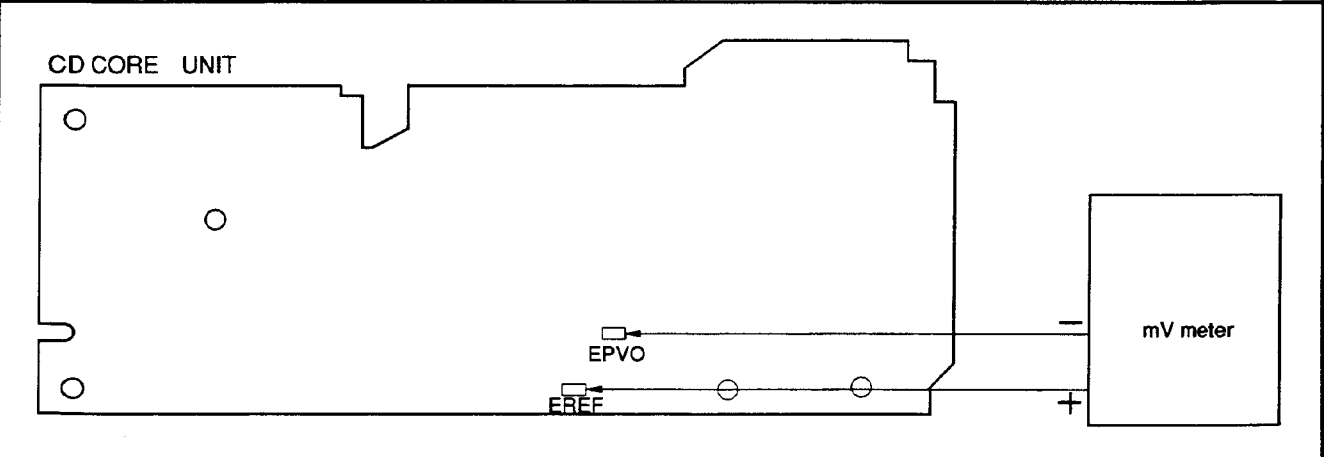
5.3 ADJUSTMENT OF ELEVATION WHEN THE CD CORE UNIT HAS BEEN REMOVED FOR MAINTENANCE

● Adjustment When Error Code 60 is Displayed Because of Malfunctioning Elevation

Note:
 Unlike the conventional mechanisms, the new mechanism detects the height of the stage using slide-variable resistance.
 To absorb dislocation of the stage height caused by differences in the mechanism and the CD core unit, adjustment must be made for each CD-mechanism module using a variable resistor.
 Normally, readjustment is not needed, as this has been adjusted at the factory. However, adjustment of elevation is required according to the procedure explained below if an elevation error has occurred or if the CD core unit has been removed.

Purpose:
 To adjust and confirm whether or not elevation operates correctly.

Adjustment Method:
 · Measuring Equipment: Millivoltmeter
 · Measuring Points: EREF, EPVO
 · Setting: Without a magazine in Test mode
 With the mechanism placed upside-down (Place the CD mechanism module so that the CD core unit is above.)



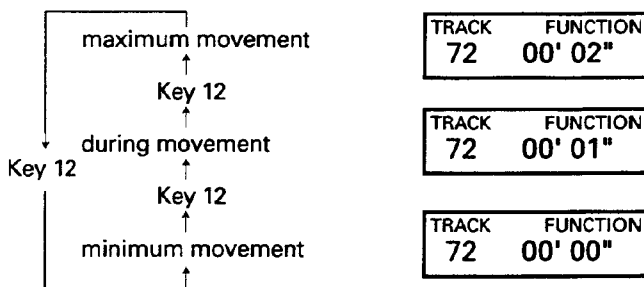
Confirmation Procedure

1. Enter Test mode, then select Multi-CD player.
2. Press key 7 to enter Mechanism Test mode.
3. Press key 12 twice to specify the amount of movement.

Examples of display

TRACK	FUNCTION
72	00' 00"

The amount of movement changes each time key 12 is pressed.



4. Press key **9** to set ELV/TRAY mode to TRAY.

Examples of display

TRACK	FUNCTION
72	01' 02"

5. Press key **FF** to release the clamp and return the tray to the magazine.

Release the clamp

6. Press key **9** to enter Elevation Move mode.

TRACK	FUNCTION
72	00' 02"

7. Use key **FF/REV** to operate elevation and set it to the graduation of the fourth step (Fig. 8).

8. Make the adjustment.

Use **VR802** to adjust the difference in potential between **EREF** and **EPVO** to 0 ± 20 mV.

9. When adjustment is completed, press key **BAND** to exit Mechanism Test mode.

TRACK	FUNCTION
72	00' 02"

10. Confirm operation of the mechanism.

Place the mechanism horizontally (CD core unit below). Take care not to short-circuit the P.C.B.

TRACK	FUNCTION
	' "

11. Confirm the height of the stage. Use the **4** key to select Disc No.4.

Check if the stopper bend of the clamp lever is engaged in the groove of the frame stopper (Fig. 9~11).

TRACK	FUNCTION
04	00' 00"

-Note :

The stopper bend will be pressed downward into the groove for final clamping. Confirm the engagement position of the stopper bend.

·If the stopper bend is engaged in the center and pressed downward, adjustment is completed. Go to step 15.

·If the stopper bend is dislocated, check the amount of dislocation by following steps 12 to 14.

12. To see the amount of dislocation, place the mechanism upside-down. If the stopper bend has been dislocated in the direction of the first CD, turn VR802 to the left(fig 9).

To lower the stage toward the sixth step by 0.1 mm, reduce the voltage of EREF (adjusted in step 8) by 20 mV.

If the stopper bend has been dislocated in the direction of the sixth CD, turn VR802 to the right(fig 11).

To raise the stage toward the first step by 0.1 mm, increase the voltage of EREF (adjusted in step 8) by 20 mV.

13. Place the mechanism horizontal. Go back to step 11 to reconfirm the stage height.

14. When adjustment of the stage height is completed, proceed as follows:

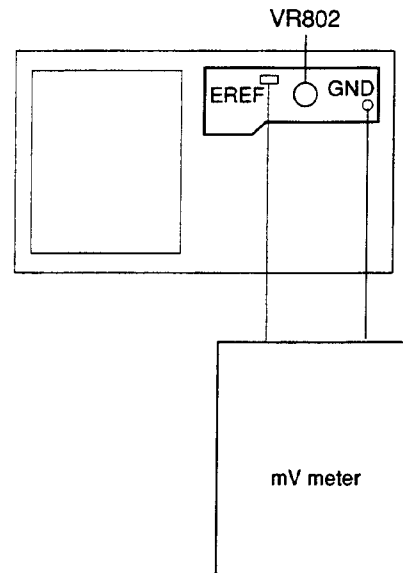
15. Press the **EJECT** switch.

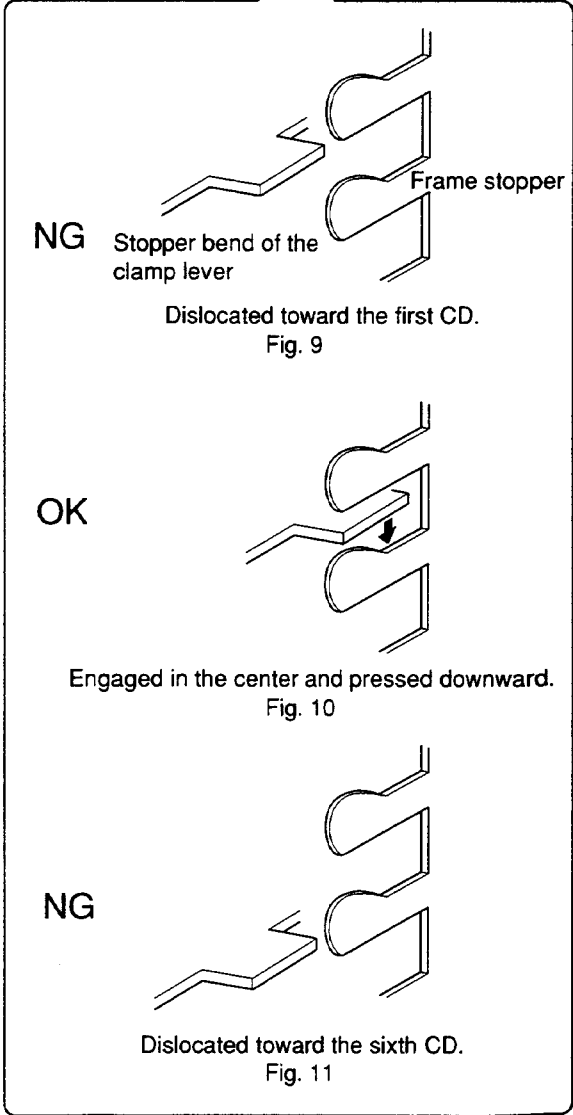
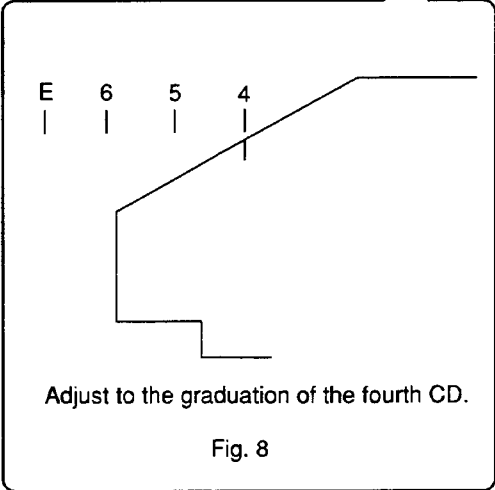
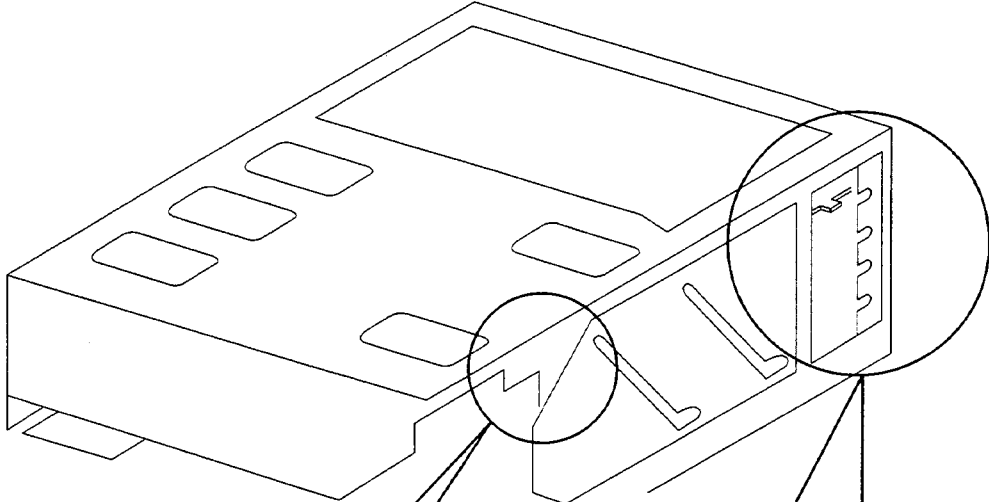
16. Once operation of the mechanism has stopped, turn the power OFF.

17. Wait more than one minute after the power is turned off, then turn the power ON and insert a magazine.

18. Check if the mechanism operates correctly with the first and fourth CDs.

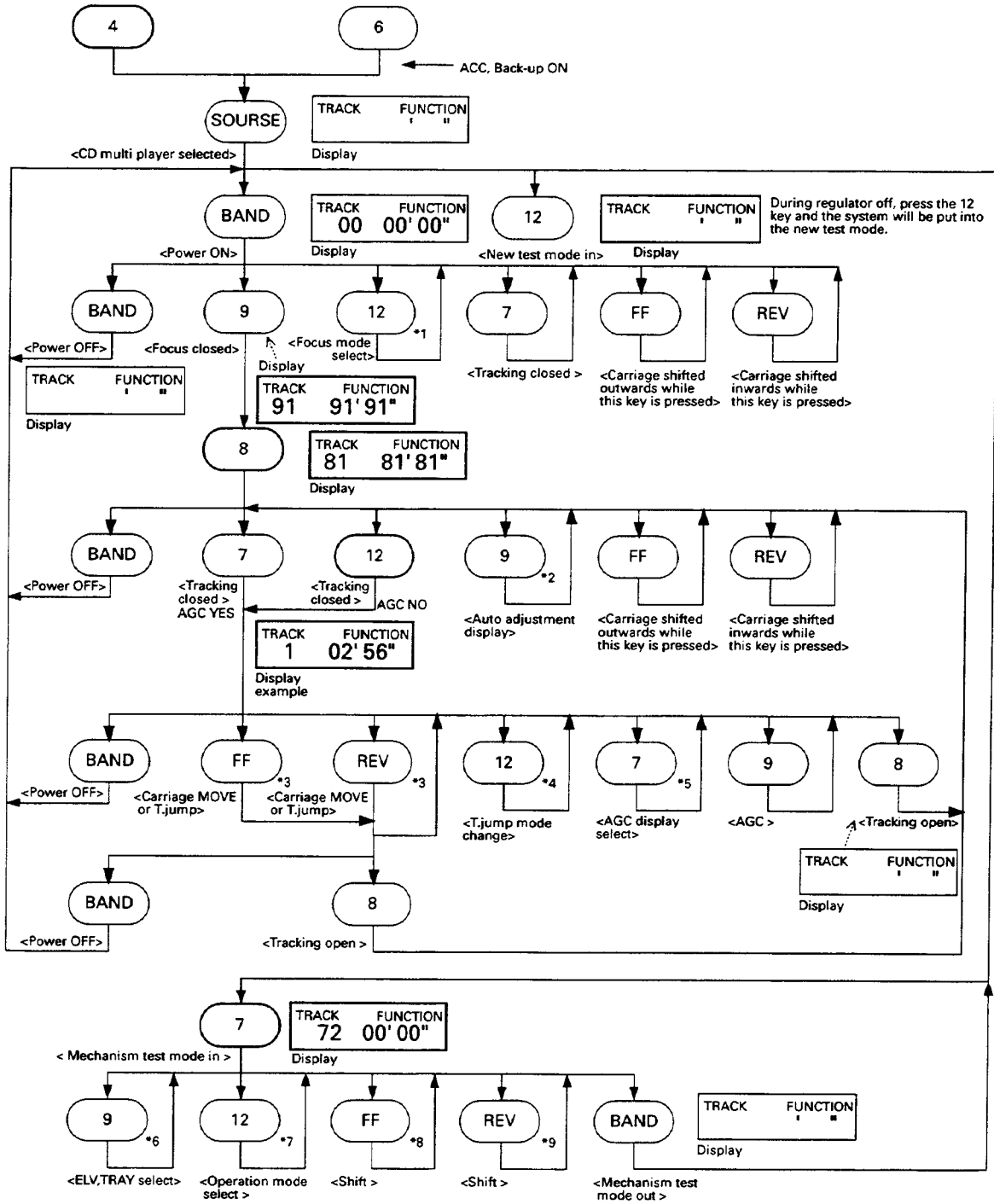
19. If the mechanism operates properly, adjustment is completed. If the mechanism operates improperly, make the adjustment again.





6. TEST MODE

● Flow Chart



*1 Normal focus close → S curve check → Focus EQ check
 00 00' 00" Display 01 01' 01" 02 02' 02"

*2 Normal display → Focus cancel → Tracking offset → Tracking balance (Close spindle-rough)

*3 100 TRK jump & carriage MOVE continue only while the keys are released

*4 SINGLE → 4TRK → 10TRK → 32TRK → 100TRK → C.MOVE
 81 Display 82 83 84 85 86

*5 Normal display → Focus gain → Tracking gain → Focus bias

*6 ELV motor select → TRAY motor select
 72 00' 0X" Display 72 10' 0X"

*7 8ms pulse drive → 24ms pulse drive → DC drive
 72 00' 00" Display 72 00' 01" 72 00' 02"

48ms pulse drive → 100ms pulse drive → DC drive
 72 10' 00" Display 72 10' 01" 72 10' 02"

*8 ELV select : ELV down (Disc 1 → 6)
 TRAY select : TRAY out

*9 ELV select : ELV up (Disc 6 → 1)
 TRAY select : TRAY in

6.1 ERROR NUMBERS AND NEW TEST MODE

● New Test Mode(aging operation and setup analysis)

The single CD player plays in normal mode. After being set up, it will display FOK (focus), LOCK (spindle), subcode, sound skip, protection against a mechanical error or the like, occurrence of an error, cause and time of an expiry, if any, (and disc number)

During the setup, the CD software operation status (internal RAM and C-point)is displayed.

(1) How to enter NEW TEST Mode

See the test mode flow chart Page 14.

(2) Relations of keys between TEST and NEW TEST Modes

Keys	Test Mode		New Test Mode	
	Regulator OFF	Regulator ON	PLAY in progress	Error Occurred, Protection Activated
BAND	Regulator ON	Regulator OFF	—	Time of occurrence/ cause of error select
FF	—	FWD-Kick	FF/TRACK+	—
REV	—	REV-Kick	REV/TRACK-	—
7	—	Tracking close	SCAN	—
8	—	Tracking open	MODE	—
9	—	Focus close	—	—
12	To New Test Mode	Jump Mode Select	AUTO/MANU	TRACK No./ time of occurrence select

Operations,such as EJECT, CD ON/OFF, etc. are performed normally

(3) Error Cause (Error Number) Code

Error Code	Classification	Mode	Description	Cause/Detail	Scratch, Stain, Vibration, Servo defect, etc...
40	ELECTRIC	PLAY	FOK=L 100ms	Put out of focus	
41	ELECTRIC	PLAY	LOCK=L 100ms	Spindle unlock	
42	ELECTRIC	PLAY	Subcode unacceptable 500ms	Failed to read subcode	
43	ELECTRIC	PLAY	Sound skipped	Last address memory operated	

(4) Indicating an Operation Status During Setup

Status No.	Description	Protection operation
01	Carriage home mode started	None
02	Carriage moving inwards	10-second time out, Home switch failed
03	Carriage moving outwards	10-second time out, Home switch failed
05	Carriage moving outwards	None
11	Setup started	None
12	Spindle turn/Focus search started	None
13	Waiting for focus closure (XSI=L)	Failure to close focus
10,14	Waiting for focus closure (FOK=H)	Failure to close focus
15, 16, 17	Focus closed, Tracking open	Focus disrupted
18	During focus AGC	Focus disrupted
19	During tracking AGC	Disrupted focus
20	Waiting for MIRR, LOCK or subcode read Carriage closed, SPINDLE=ADAPTIVE	Focus disrupted, MIRR NG, Failure to lock, failed to read subcode

CDX-P626S,P620S

(5) Example of Display.

- SET UP in progress
- 8 digits display LCD

TNo.	Min	Sec
11	11	11

- Operation (PLAY, SEARCH, etc.) in progress perfectly identical with that in the normal mode.

- Protection/Error upon occurrence(8 digits display LCD)

(a) Error number indicated

ERROR-xx

Select the display with the BAND key.

(b) Track number and absolute time indicated

TNo.	Min	Sec
10	40	05

● Error Number Indication

If the CD should fail to operate or if an error has taken place during operation the player will enter into the error mode, and the cause of the error will be numerically indicated.

This is aimed at assisting in analysis or repair.

(1) Basic Means of Display

- Examples of Display ERROR-xx

(2) Error Codes

Error Code	Classification	Description	Cause/Detail
10	ELECTRIC	Carriage home failure	Carriage doesn't move to or from the innermost position →Home switch failed and/or carriage immobile
11	ELECTRIC	Focus failure	Focus failed →Defects, disc upside-down, severe vibration
12	ELECTRIC	SETUP failure Subcode failure	Spindle failed to lock or subcode unreadable →Spindle defective, defect, severe vibration
14	ELECTRIC	Mirror failure	Unrecorded CD-R The disc is upside-down, defects, vibration
17	ELECTRIC	Set up failure	AGC protect failed →Defects, disc upside-down, severe vibration
19	ELECTRIC	Set up failure	Tracking error waveform is too unbalanced (>50%) or level is too small →The P.U.unit or tracking error circuitry is N.G.
30	ELECTRIC	Search time out	Failed to reach target address →Carriage/tracking defective and/or defects
A0	SYSTEM	Power failure	Power overvoltage or short circuit detected →Switching transistor defective and/or power abnormal
A1	SYSTEM	Mechanism power failure	Mechanism elevation reference voltage is out of prescription →EREF adjustment VR and/or power abnormal
50	MECHANISM	An error upon ejection	MAG switch release time has time out Elevation time out when eject
60	MECHANISM	An error while putting in and out the tray	Tray in / out time has time out Tray is caught when put in
70	MECHANISM	An error upon elevation	Elevation time has time out
80	MECHANISM	An error with an empty magazine inserted	No disc is available

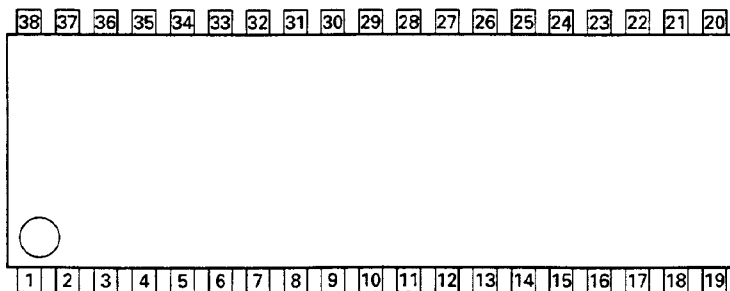
* Setup means a series of operations after focusing up to sound output.

7. IC INFORMATION

● Pin Functions (UPC2572GS)

Pin No.	Pin Name	I/O	Function and Operation
1	EFM-IN	I	EFM comparator input
2	AGC-OUT	O	AGC amplifier output
3	C. AGC		Connects AGC peak detection condenser
4	RF-IN	I	RF signal DC component cut input
5	RF-OUT	O	RF amplifier output
6	RF-	I	RF amplifier inverted input
7	C1, 3T		Connects RF3T component detection condenser
8	C2, 3T		Connects RF3T component detection condenser
9	Vcc		Power supply
10	A	I	A signal input
11	C	I	C signal input
12	B	I	B signal input
13	D	I	D signal input
14	F	I	F signal input
15	E	I	E signal input
16	PD	I	APC amplifier input
17	LD	O	APC amplifier output
18	LDON	I	Laser diode ON/OFF input
19	VREF-OUT	O	Reference voltage output
20	VREF-IN	I	Reference voltage input
21	DET-OUT	O	Vibration detection circuit output
22	DET-IN	I	Vibration detection circuit input
23	TE-OUT2	O	Tracking error amplifier output (fourfold gain)
24	TE-OUT1	O	Tracking error amplifier output (singlefold gain)
25	TE-	I	Tracking error amplifier inverted input
26	GND		GND
27	FE-	I	Focus error amplifier inverted input
28	FE-OUT	O	Focus error amplifier output
29	C.FE	I	Focus error signal DC component cut input
30	3T-OUT	O	RF3T component output
31	MIRR	O	MIRR signal output
32	RFOK	O	RFOK signal output
33	DEFECT	O	DEFECT signal output
34	C. DEF		Connects DEFECT signal detection condenser
35	EFM-OUT	O	EFM comparator output
36	ASY	I	EFM comparator level input
37	TE-BAL	I	Tracking balance control
38	FE-BAL	I	Focus balance control

UPC2572GS



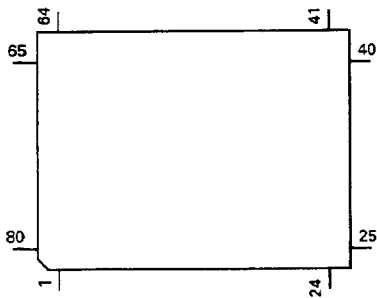
CDX-P626S,P620S

● Pin Functions (UPD63702GF)

Pin No.	Pin Name	I/O	Function and Operation
1	D.VDD		Supplies current of positive voltage to the logic circuits
2	RST	I	System reset input pin
3	AO	I	Microcomputer interface AO="L": STB active and set to address register AO="H": STB active and set to parameter
4	STB	I	Signal to latch serial data within the LSI
5	SCK	I	Clock input pin to input and output serial data
6	SO	O	Outputs serial data and status signal
7	SI	I	Serial data input pin
8	D.GND		Logic circuit GND
9	X.GND		Crystal oscillation circuit GND
10	XTAL	I	Crystal oscillator connection pin
11	XTAL	O	Crystal oscillator connection pin
12	X.VDD		Supplies current of positive voltage to the crystal oscillation circuit
13	DA.VDD		Supplies current of positive voltage to the D/A converter
14	R+	O	Right channel analog audio data output pin
15	R-	O	Right channel analog audio data output pin
16,17	DA.GND		D/A converter GND
18	L-	O	Left channel analog audio data output pin
19	L+	O	Left channel analog audio data output pin
20	DA.VDD		Supplies current of positive voltage to the D/A converter
21	D.VDD		Supplies current of positive voltage to logic circuit
22	FLAG	O	Flag output pin to indicate that audio data currently being output consists of noncorrectable data
23	WDCK	O	Pin to output double the frequency of LRCK
24	C16M	O	Pin to output the clock
25	EMPH	O	Output pin for the pre-emphasis data in the sub-Q code
26	DIN	I	Input pin for serial audio data
27	DOUT	O	Output pin for the serial audio data
28	SCKO	O	Output pin for the clock for the serial audio data
29	LRCK	O	Signals to distinguish the right and left channels of the audio data output from DOUT. Frequency is 44.1kHz at 50% duty at normal regeneration
30	TX	O	Output pin for the digital audio interface data
31	CTLV	I	Oscillation control pin for high-frequency clock generation VCO used for the digital PLL upon regeneration at fast speed of 2- or 4-fold
32	POUT	O	Output point for phase comparison
33	D.GND		GND for the logic circuit
34	VCO	I	Input pin for the inverter
35	VCO	O	Output pin for the inverter
36	D.VDD		Supplies current of positive voltage to the logic circuit
37	PLCK	O	Pin for monitoring the bit clock
38	LOCK	O	Indicates "H" when the synchronized pattern detection signal matches the frame counter output at the EFM recovery modulation, and "L" when they don't match
39	WFCK	O	Minute-cycle signal for the bit clock, the signal indicates the cycle of 1 frame (approx. 7.35kHz)
40	RFCK	O	Minute-cycle signal for the clock, the signal indicates cycle of 1 frame (approx. 7.35kHz)
41	D.GND		GND for the logic circuit
42,43	TEST0,1	I	Test pins
44,45	TM2, TM4	I	Pins for controlling regeneration at fast speed of 2- or 4-fold
46-49	T4-T7	I	Test pins
50,51	C1D1, C1D2	O	Output pin for indicating the C1 error correction results
52-54	C2D1-C2D3	O	Output pin for indicating the C2 error correction results
55	D.VDD		Supplies current of positive voltage to the logic circuit
56	SFSY	O	Outputs 1 word of the subcode. Generally, 1 cycle is approx 136 micro seconds
57	SBSY	O	The signal indicates the beginning of the subcode block. The SFSY signal is output at high level every 98 times
58	SBSO	O	Output pin for the subcode data

Pin No.	Pin Name	I/O	Function and Operation
59	SBCK	I	Input pin for the clock signal for read-out of the subcode data
60	A.GND		GND for the analog circuit
61	MD	O	Output pin for the spindle drive
62	SD	O	Output pin for the sled drive
63	TD	O	Output pin for the tracking drive
64	FD	O	Output pin for the focus drive
65	FBAL	O	Output pin for the focus balance control
66	TBAL	O	Output pin for the tracking balance control
67	A.VDD		Supplies current of positive voltage to the analog circuit
68	TBC	I	Switches coefficient banks for the tracking filter
69	EFM	I	Input pin for the EFM signal
70	HOLD	I	Input pin for the hold control signal
71	RFOK	I	Input pin for the RFOK signal
72	MIRR	I	Input pin for the MIRR signal
73	A.GND		GND for the analog circuit
74	HOME	I	Home position detector input
75	VR1	I	The signal input through these pins is digitized to 8-bit by the A/D converter, which by operation of the assigned register, can be read into the microcomputer
76	FE	I	Inputs a focus-error signal from the RF amplifier
77	TE	I	Inputs a tracking-error signal from the RF amplifier
78	TEC	I	Input pin for the tracking comparator
79	REFOUT	O	Output point for midpoint potential for the A/D converter for the LSI portion
80	A.VDD		Supplies current of accurate voltage to the analog circuit

*UPD63702GF



IC's marked by* are MOS type.

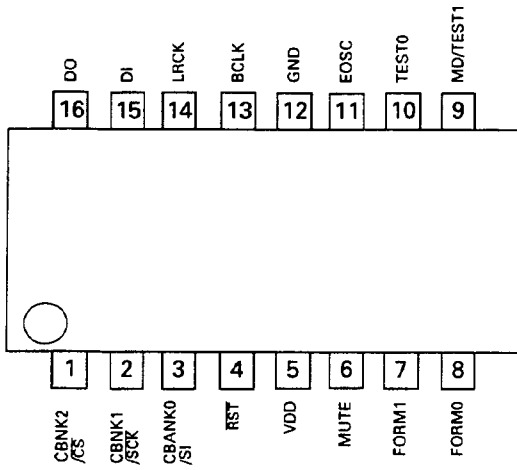
Be careful in handling them because they are very liable to be damaged by electrostatic induction.

● Pin Functions (PD4501A)

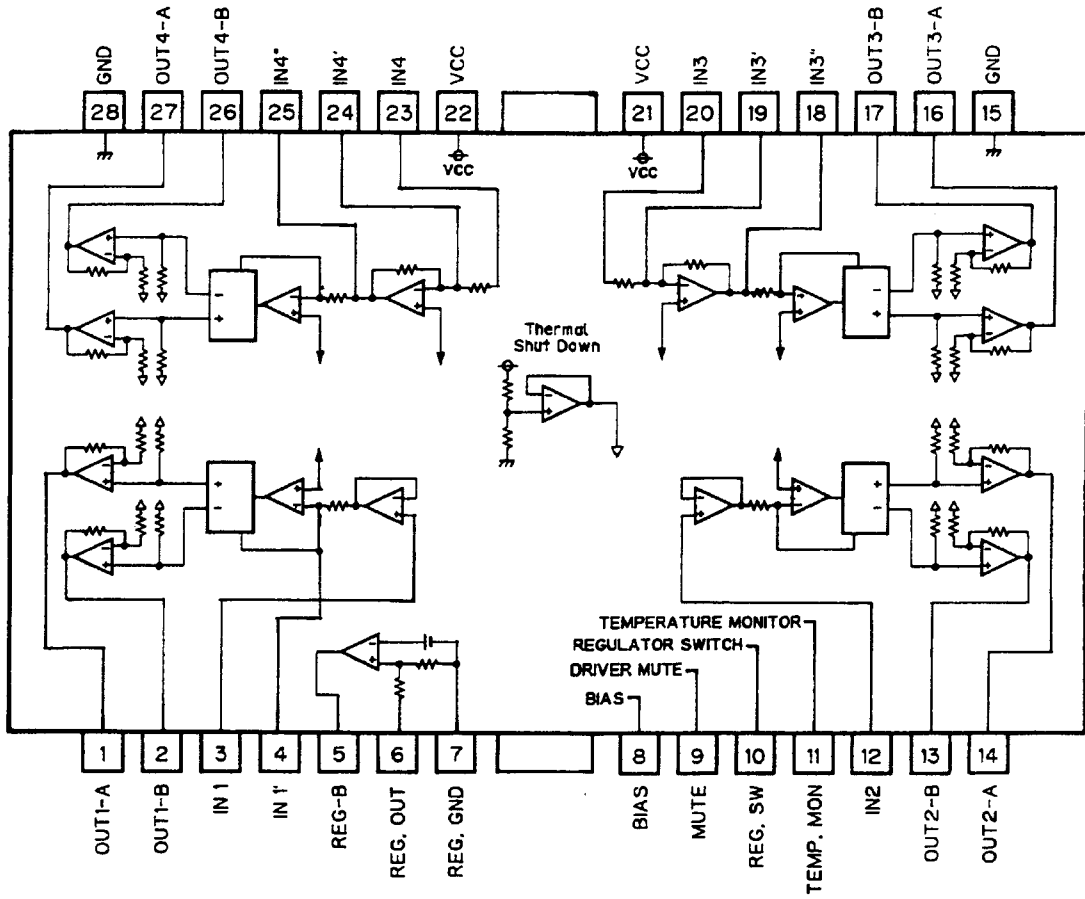
Pin No.	Pin Name	I/O	Function and Operation
1	CBNK2/CS	I	CROM bank select signal input/Chip select
2	CBNK1/SCK	I	CROM bank select signal input/Clock
3	CBNK0/SI	I	CROM bank select signal input/Data
4	RST	I	Reset signal input
5	VDD		Power supply
6	MUTE	I	Mute control input
7	FORM1	I	Bit clock rate select signal input
8	FORM0	I	Bit clock rate select signal input
9	MD/TEST1	I	CROM bank select /test mode select
10	TEST0	I	Test mode select
11	EOSC	I	External clock input
12	GND		GND
13	BCLK	I	Bit clock signal input
14	LRCK	I	L/R clock signal input
15	DI	I	Audio data serial input
16	DO	O	Audio data serial output

CDX-P626S, P620S

*PD4501A (CDX-P626S)



XLA6997FM

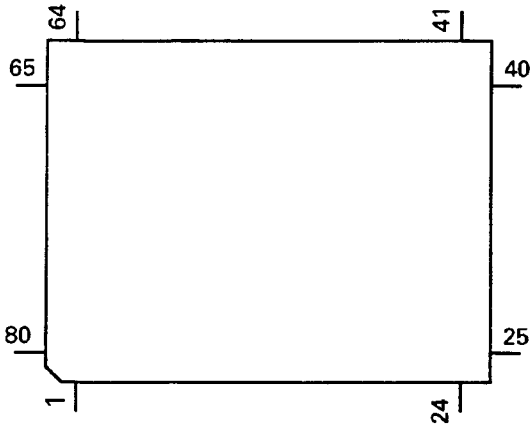


● Pin Functions (PD5355A)

Pin No.	Pin Name	I/O	Format	Function and Operation
1	VDIN	I		Power supply short sensor input
2	NC			Not used
3	IPIN	I		IP-BUS serial data receiver
4	IPOUT	O	C	IP-BUS serial data transmission
5	IPPW	O	C	IP-BUS driver power supply control output
6	XA0	O	C	Control signal distinguishing data from microcomputer
7	XSCK	I/O	C	LSI clock input/output
8	XSO	O	C	LSI data output
9	XSI	I		LSI data input
10	XSTB	O	C	CD LSI strobe output
11	XRST	O	C	CD LSI reset output
12	DCE	O	C	Chip enable output
13	NC			Not used
14	ASENS	I		ACC power sense input
15	BSENS	I		Back up power sense input
16-21	NC			Not used
22	EJSW	I		Eject key switch interrupt input
23	MAG	I		Magazine lock switch interrupt input
24	CNVSS			GND
25	RESET	I		Reset input
26	POWER	O	C	CD +5V control
27	CONT	O	C	Server driver power control output (CD)
28	XIN	I		Crystal oscillating element connection pin
29	XOUT	O		Crystal oscillating element connection pin
30	VSS			GND
31-38	D7-D0	I/O	C	External RAM data line
39	WE	O	C	External RAM write enable
40	PROT	O	C	External RAM output enable
41	CS	O	C	External RAM chip select
42,43	NC			Not used
44-54	A10-A0	O	C	External RAM address line
55	NC			Not used
56	6/12	I		6/12 switching input
57	NC			Not used
58	MIRR	I		Mirror detection input (CD)
59	LOCK	I		Spindle lock input (CD)
60	FOK	I		FOK signal input
61	CSEL	I		Compression select
62-64	NC			Not used
65	I1,3	O	C	Motor driver control output
66	I2	O	C	Motor driver control output
67	I4	O	C	Motor driver control output
68	CDMUTE	O	C	CD mute control output (CD)
69	ADENA	O	C	A/D reference voltage output
70	TESTIN	I		Test program mode input
71	VCC			Power supply
72	VREF	I		A/D converter reference voltage input
73	AVSS			(A/D converter GND)
74	UNIT	I		UNIT input
75	U/C	I		ELV position switch input
76	DISK			Disc detector and 8/12cm detect
77	ELVPVO	I		Slide voltage input for ELV detector
78	ELVREF	I		ELV reference voltage input
79	MSW	I		Disc detect timing and tray position input
80	NC			Not used

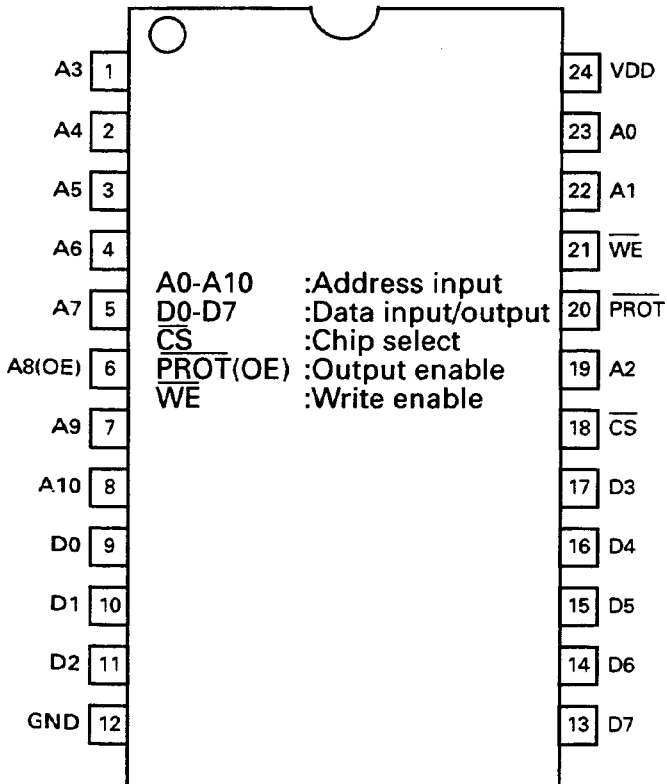
CDX-P626S, P620S

*PD5355A

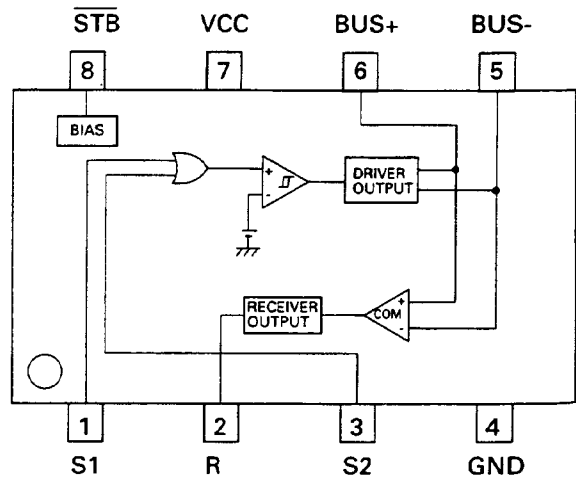


Output Format	Meaning
C	C MOS

LH5116HN



HA12187FP



8. ELECTRICAL PARTS LIST

NOTE:

- Parts whose parts numbers are omitted are subject to being not supplied.
- The part numbers shown below indicate chip components.

Chip Resistor

RS1/OSOOOJ,RS1/OOSOOOJ

Chip Capacitor (except for CQS.....)

CKS....., CCS....., CSZS.....

====Circuit Symbol & No. Part Name=====	Part No.	====Circuit Symbol & No. Part Name=====	Part No.
Unit Number : CWX1944 Unit Name : CD Core Unit		C 106 113 801 C 107 C 108 C 109 C 110 122 611 802	CKSRYP103K25 CEV4R7M35 CKSQYB273K25 CCSRCH101J50 CKSQYB104K16
MISCELLANEOUS		C 111 C 112 C 114 C 115 C 116	CKSRYP332K50 CKSQYB473K25 CKSRYP391K50 CCSRCH121J50 CKSRYP682K50
IC 101 IC 201 IC 301 IC 302 IC 501	UPC2572GS UPD63702GF XLA6997FM LB1836M PD4501A	C 117 C 118 119 C 120 121 C 123 C 125	CKSQYB333K25 CKSQYB334K16 CKSQYB224K16 CKSRYP472K50 CCSRCH060D50
IC 601 IC 602 IC 604 IC 701 Q 101	XRA4560F XRA4560F NJM78L05UA PQ05TZ51 2SD1664	C 126 C 201 702 C 206 C 207 C 208	CKSRYP153K25 CKSQYB334K16 CKSQYB224K16 CKSRYP102K50 CKSQYB224K16
Q 102 D 701 702 X 201 S 801 802 S 803	UMD2N 1SR154-400 CSS1363 CSG1076 CSN1028	C 301 C 601 602 C 603 604 C 605 606 C 607 608	CEV101M10 CCSRCH181J50 CCSRCH820J50 CCSRCH820J50 CKSRYP222K50
VR 802	Semi-fixed 1kΩ(B) CCP1175	C 609 610 C 613 C 614 C 615 C 701	CCSRCH331J50 CKSQYB104K16 CKSQYB104K16 CEV101M10 CCH1233
RESISTORS		C 803	CKSRYP103K25
R 101 R 102 R 103 116 R 104 107 R 105	RS1/8S100J RS1/8S120J RS1/16S102J RS1/16S822J RS1/16S682J	Unit Number : CWX1948 Unit Name : Extension Unit	
R 106 R 108 R 109 R 110 R 111	RS1/16S183J RS1/16S333J RS1/16S683J RS1/16S134J RS1/16S273J	MISCELLANEOUS	
R 113 R 114 115 601 602 603 604 R 117 118 R 201 R 202	RS1/16S222J RS1/16S103J RS1/16S163J RS1/16S104J RS1/16S104J	IC 1701 IC 1702 IC 1703 IC 1704 Q 1694	PD5355A LH5116HN HA12187FP PAJ002A DTC124XS
R 504 507 806 R 505 R 506 R 605 606 607 608 R 609 610	RS1/16S102J RS1/16S221J RA3C221J RS1/16S912J RS1/16S153J	Q 1696 1901 Q 1698 Q 1701 Q 1702 Q 1770	IMD3A IMH3A DTA144EK DTC114EK 2SB1238
R 611 612 R 613 614 615 616 617 618 R 619 620 R 801 R 804	RS1/16S153J RS1/16S562J RS1/16S101J RS1/10S681J RS1/16S622J	Q 1902 Q 1903 D 1730 D 1770 D 1901 1902	IMX1 2SD2396 1SS292 1SS133 ERA15-02VH
R 805 R 807	RS1/16S562J RS1/16S0R0J	D 1903 L 1901 X 1701 SW1799	HZS6LB1 CTH1047 CSS1310 CSH1038
CAPACITORS		D 1903 L 1901 X 1701 SW1799	Choke Coil 1mH Ceramic 6.29MHz Slide Switch
C 101 205 703 C 102 124 202 612 C 103 C 104 C 105	CEV101M6R3 CKSQYB104K16 CEV470M6R3 CKSQYB334K16 CCSRCH330J50		

====Circuit Symbol & No. Part Name=====	Part No.	====Circuit Symbol & No. Part Name=====	Part No.
RESISTORS		Unit Number : Unit Name : P.C.Board (A)	
R 1695 1703 1704 1707 1708 1732 1771 1772 1902 R 1696 1697 R 1698 1699 R 1701 1715 1775 R 1702	RS1/10S104J RS1/10S362J RS1/10S112J RS1/10S103J RS1/10S433J	Q 851 S 853 Switch (HOME)	PT4800 CSN1012
R 1705 1706 1719 1723 R 1709 1725 1726 1774 1791 R 1710 R 1711 1720 R 1714 1792 1793 1794	RS1/10S222J RS1/10S102J RS1/10S223J RS1/10S0R0J RS1/10S513J	Unit Number : Unit Name : P.C.Board (B)	
R 1718 R 1722 R 1724 R 1730 1740 1741 R 1773	RS1/10S823J RS1/10S473J RS1/10S473J RS1/10S101J RD1/4PU3R9J	D 851 S 851 852 Switch (TRP,DSP) R 851 R 852	CN504-2 CSN1033 RS1/8S473J RS1/8S753J
R 1776 R 1901 R 1903 R 1904 R 1905	RD1/4PU471J RS1/10S204J RS1/10S152J RS1/10S750J RD1/4PU121J	Unit Number : Unit Name : P.C.Board (C)	
R 1906 R 1907 R 1909	RS1/10S391J RS1/10S751J RS1/10S512J	M853 Motor Unit (TRAY)	CXA9139
CAPACITORS		Miscellaneous Parts List	
C 1698 1699 C 1701 C 1702 1705 1731 1740 1771 1772 1773 1774 1906 1908 C 1703 1704 C 1706 1707 1708 1741 1742	CEA330M10LS CKSQYB104K16 CKSQYB103K25 CKSQYB473K16 CKSQYB102K50	M851 Motor Unit (SPINDLE) M852 Motor Unit (ELV) M854 Motor Unit (CARRIAGE) VR 801 Volume 10kΩ Pickup Unit (Service)	CXA8772 CXA9146 CXA9131 CCW1021 CXX1235
C 1730 C 1770 C 1775 C 1901 1904 1905 470μF/16V C 1902	CEA221M6R3LL CSZA220M10 CKSQYB104K16 CCH1183 CKSQYB103K50		
C 1903 C 1907 C 1909	CKSQYB223K25 CEA220M10LS CKSQYB103K25		

The CDX-P620S/UC, P620S/ES and P620S/EW Parts Lists enumerated the parts which differ from those enumerated in the CDX-P626S/UC Parts List only. The parts other than those enumerated in the former are identical with those in the latter, to which you are requested to refer, accordingly. CDX-P626S/UC Parts List is given on page 23.

CD Core Unit

	CDX-P626S/UC	CDX-P620S/UC P620S/ES P620S/EW
Circuit Symbol & No.	Part No.	Part No.
IC 501 R 203	PD4501A *****	***** RS1/16S0R0J

Extension Unit

	CDX-P626S/UC	CDX-P620S/UC P620S/ES P620S/EW
Circuit Symbol & No.	Part No.	Part No.
R1721 R1720	***** RS1/10S0R0J	***** RS1/10S104J

====Circuit Symbol & No. Part Name====	Part No.	====Circuit Symbol & No. Part Name====	Part No.
RESISTORS			
R 1695 1703 1704 1707 1708 1732 1771 1772 1902	RS1/10S104J	Q 851	PT4800
R 1696 1697	RS1/10S362J	S 853	Switch (HOME)
R 1698 1699	RS1/10S112J		
R 1701 1715 1775	RS1/10S103J		
R 1702	RS1/10S433J		
Unit Number : Unit Name : P.C.Board (A)			
R 1705 1706 1719 1723	RS1/10S222J	D 851	CN504-2
R 1709 1725 1726 1774 1791	RS1/10S102J	S 851 852	Switch (TRP,DSP)
R 1710	RS1/10S223J	R 851	CSN1033
R 1711 1720	RS1/10S0R0J	R 852	RS1/8S473J
R 1714 1792 1793 1794	RS1/10S513J		RS1/8S753J
Unit Number : Unit Name : P.C.Board (B)			
R 1718	RS1/10S823J		
R 1722	RS1/10S473J		
R 1724	RS1/10S473J		
R 1730 1740 1741	RS1/10S101J		
R 1773	RD1/4PU3R9J		
Unit Number : Unit Name : P.C.Board (C)			
R 1776	RD1/4PU471J		
R 1901	RS1/10S204J		
R 1903	RS1/10S152J		
R 1904	RS1/10S750J		
R 1905	RD1/4PU121J		
R 1906	RS1/10S391J		
R 1907	RS1/10S751J		
R 1909	RS1/10S512J		
Miscellaneous Parts List			
	MB53	Motor Unit (TRAY)	CXA9139
	MB51	Motor Unit (SPINDLE)	CXA8772
	MB52	Motor Unit (ELV)	CXA9146
	MB54	Motor Unit (CARRIAGE)	CXA9131
	VR 801	Volume 10kΩ	CCW1021
		Pickup Unit (Service)	CXX1235
CAPACITORS			
C 1698 1699	CEA330M10LS		
C 1701	CKSQYB104K16		
C 1702 1705 1731 1740 1771 1772 1773 1774 1906 1908	CKSQYB103K25		
C 1703 1704	CKSQYB473K16		
C 1706 1707 1708 1741 1742	CKSQYB102K50		
C 1730	CEA221M6R3LL		
C 1770	CSZA220M10		
C 1775	CKSQYB104K16		
C 1901 1904 1905	470μF/16V		
C 1902	CCH1183		
	CKSQYB103K50		
C 1903	CKSQYB223K25		
C 1907	CEA220M10LS		
C 1909	CKSQYB103K25		

The CDX-P620S/UC, P620S/ES and P620S/EW Parts Lists enumerated the parts which differ from those enumerated in the CDX-P626S/UC Parts List only. The parts other than those enumerated in the former are identical with those in the latter, to which you are requested to refer, accordingly. CDX-P626S/UC Parts List is given on page 23.

CD Core Unit		
Circuit Symbol & No.	Part No.	Part No.
IC 501	PD4501A	*****
R 203	*****	RS1/16S0R0J

Extension Unit		
Circuit Symbol & No.	Part No.	Part No.
R1721	*****	RS1/10S104J
R1720	RS1/10S0R0J	*****

9. BLOCK DIAGRAM

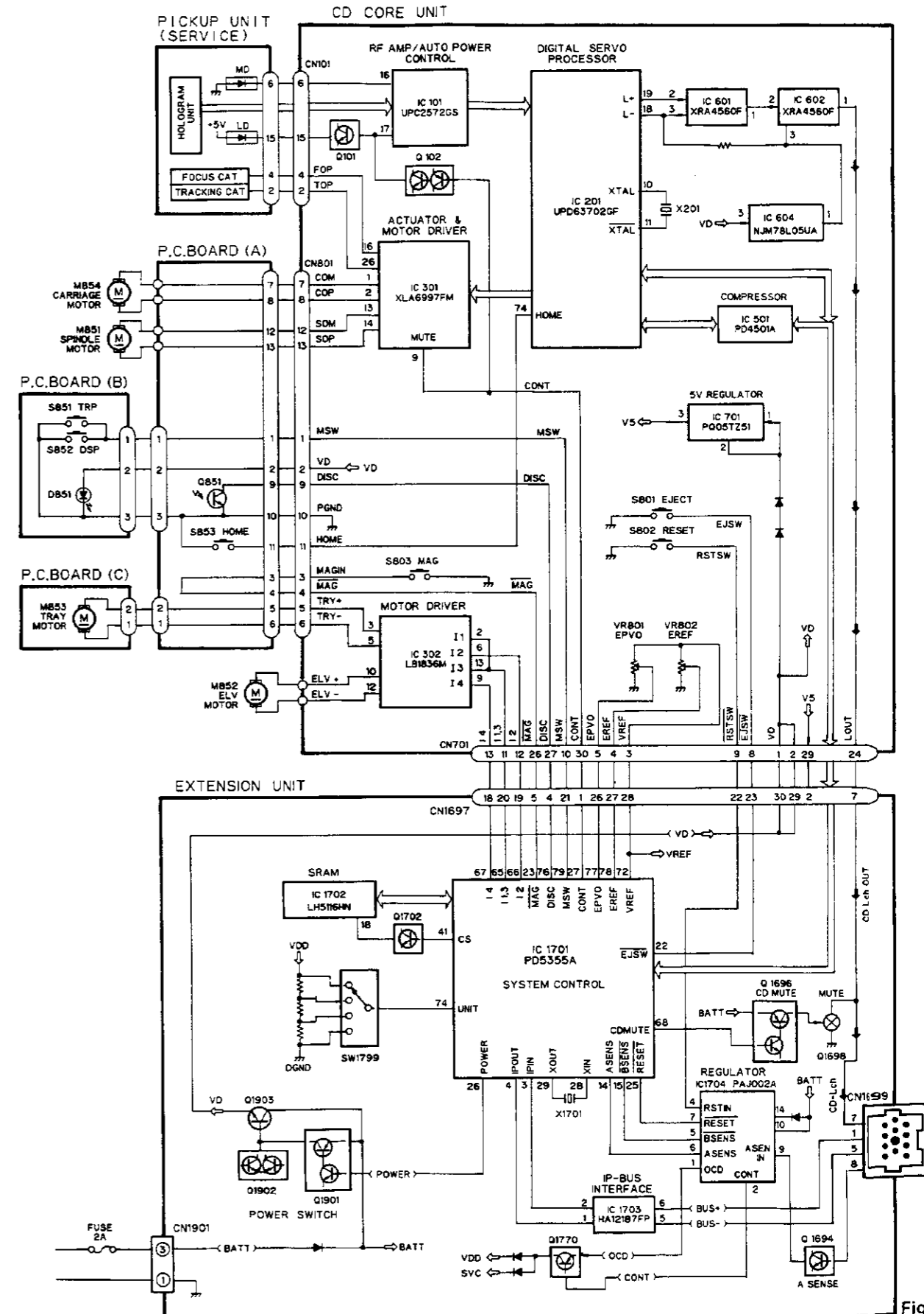


Fig. 12

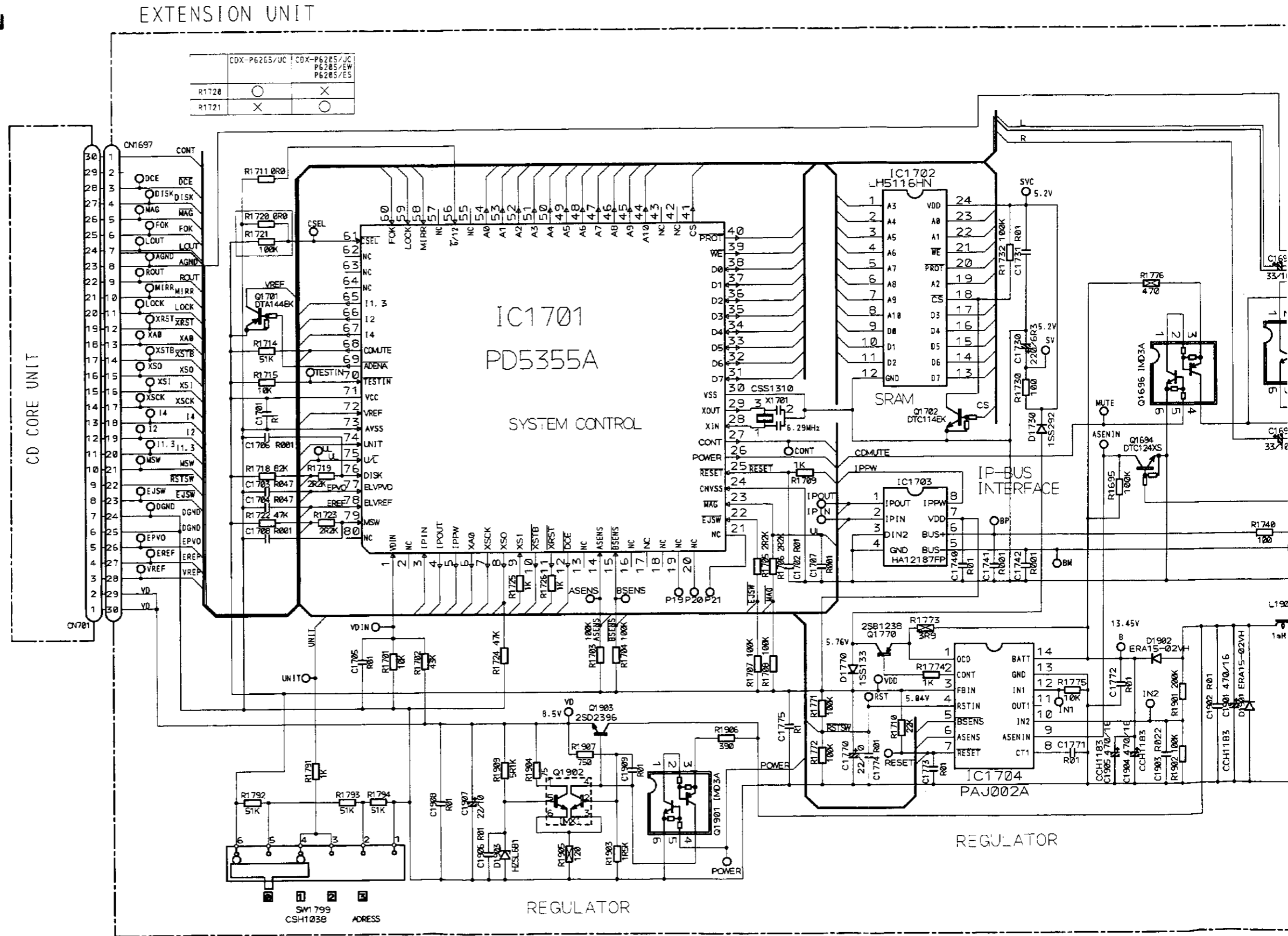
- Part No.
- CKSRB103K25
 - CEV4R7M35
 - CKSQYB273K25
 - CCSRCH101J50
 - CKSQYB104K16
 - CKSRB332K50
 - CKSQYB473K25
 - CKSRB391K50
 - CCSRCH121J50
 - CKSRB682K50
 - CKSQYB333K25
 - CKSQYB334K16
 - CKSQYB224K16
 - CKSRB472K50
 - CCSRCH060D50
 - CKSRB153K25
 - CKSQYB334K16
 - CKSQYB224K16
 - CKSRB102K50
 - CKSQYB224K16
 - CEV101M10
 - CCSRCH181J50
 - CCSRCH820J50
 - CCSRCH820J50
 - CKSRB222K50
 - CCSRCH331J50
 - CKSQYB104K16
 - CKSQYB104K16
 - CEV101M10
 - CCH1233
 - CKSRB103K25

- PD5355A
- LH5116HN
- HA12187FP
- PAJ002A
- DTC124XS
- IMD3A
- IMH3A
- DTA144EK
- DTC114EK
- 25B1238
- IMX1
- 2SD2396
- 1SS292
- 1SS133
- ERA15-02VH
- HZS6L81
- CTH1047
- CSS1310
- CSH1038

10. CIRCUIT DIAGRAM AND PATTERN

10.1 EXTENSION UNIT

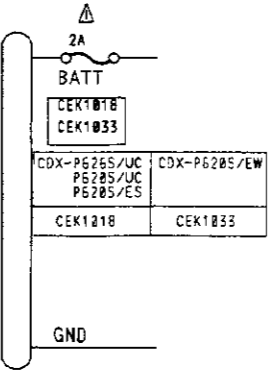
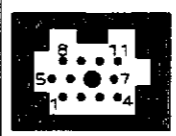
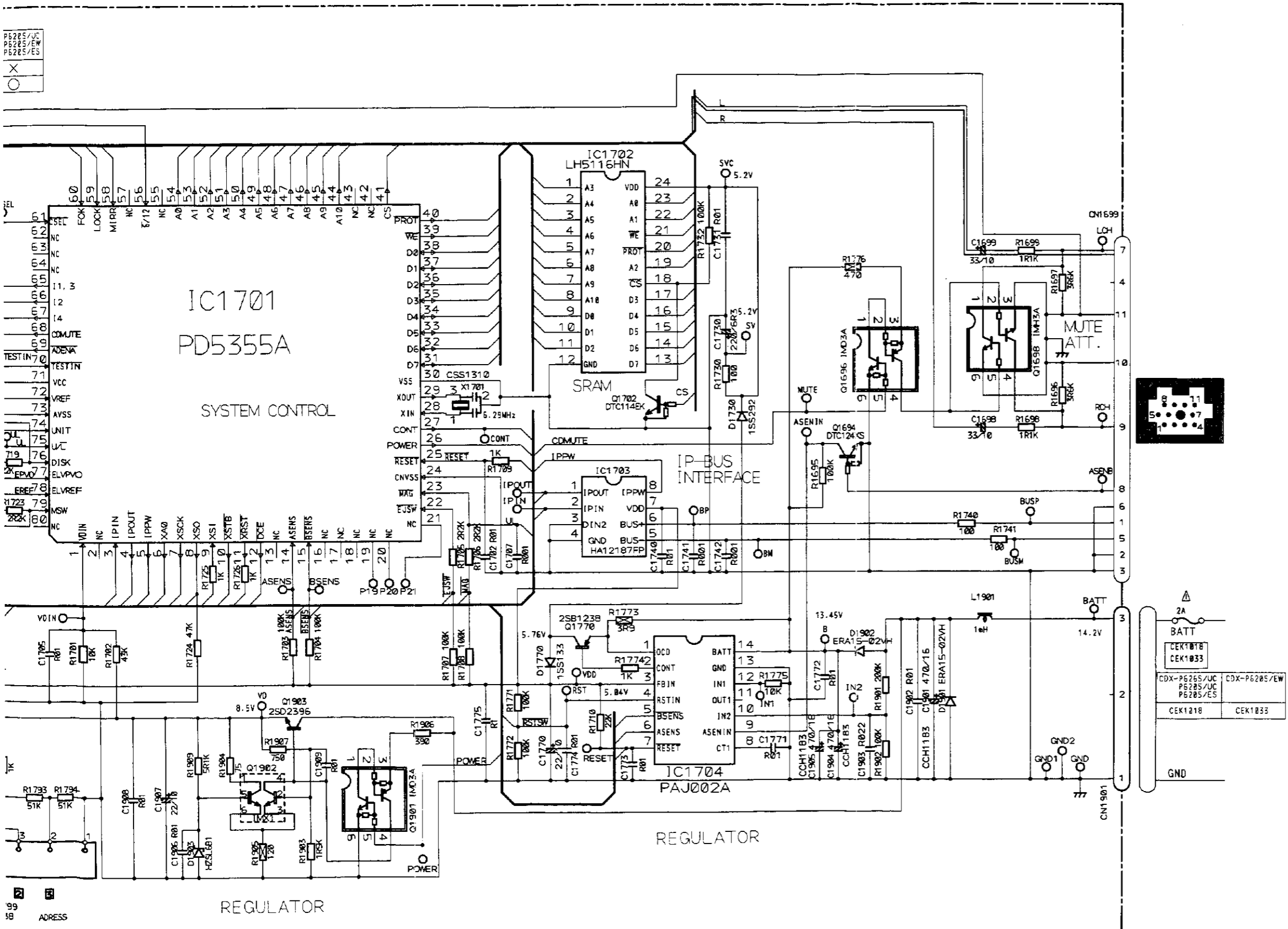
● Circuit Diagram



NOTE:
The Δ mark found on some component parts indicates the importance of the safety factor of the part. Therefore, when replacing, be sure to use parts of identical designation.

P5225/UC
P5225/EW
P5225/ES

X
O



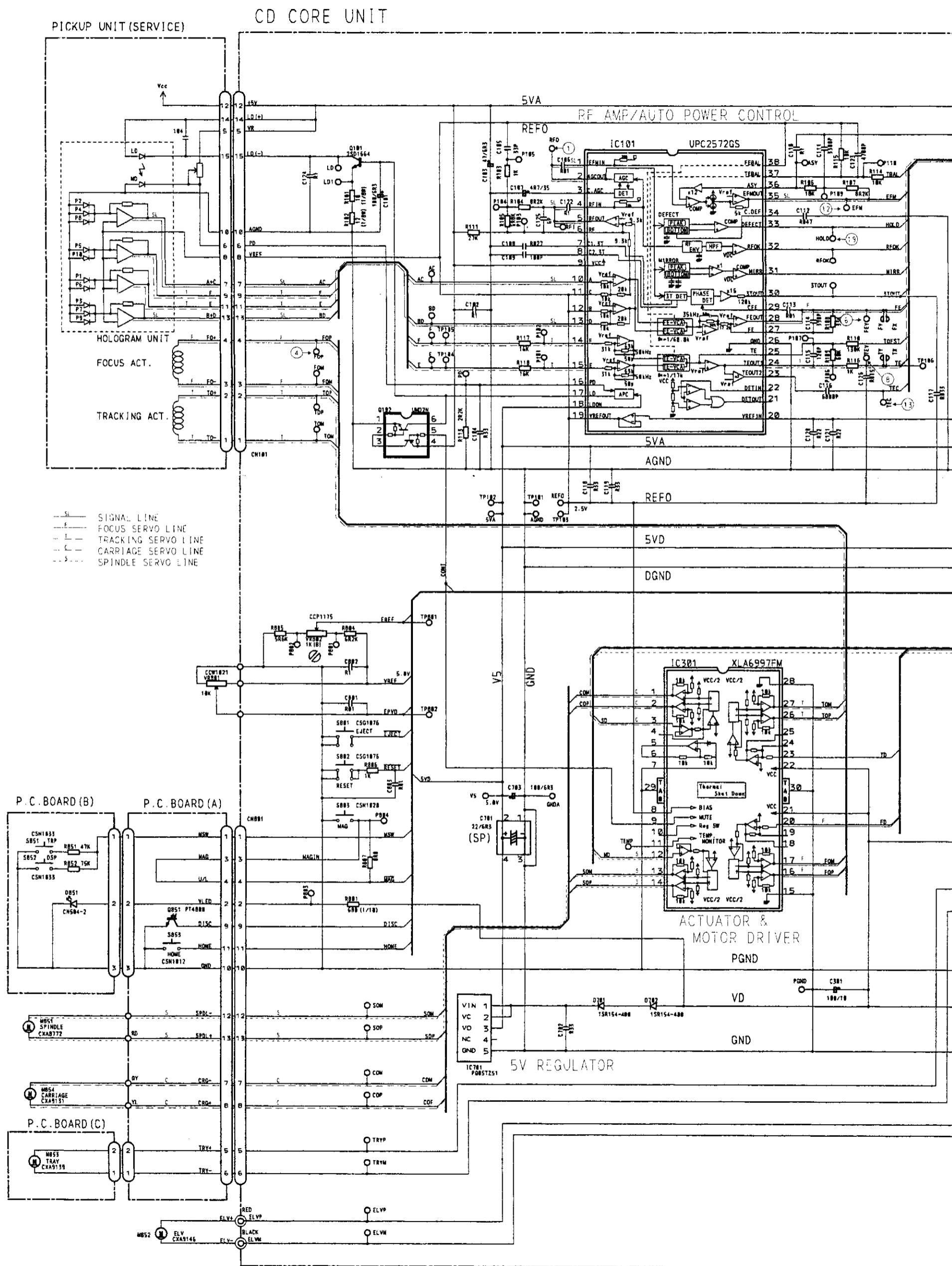
1699 ADDRESS

NOTE:
The Δ mark found on some component parts indicates the importance of the safety factor of the part. Therefore, when replacing, be sure to use parts of identical designation.

Fig. 13

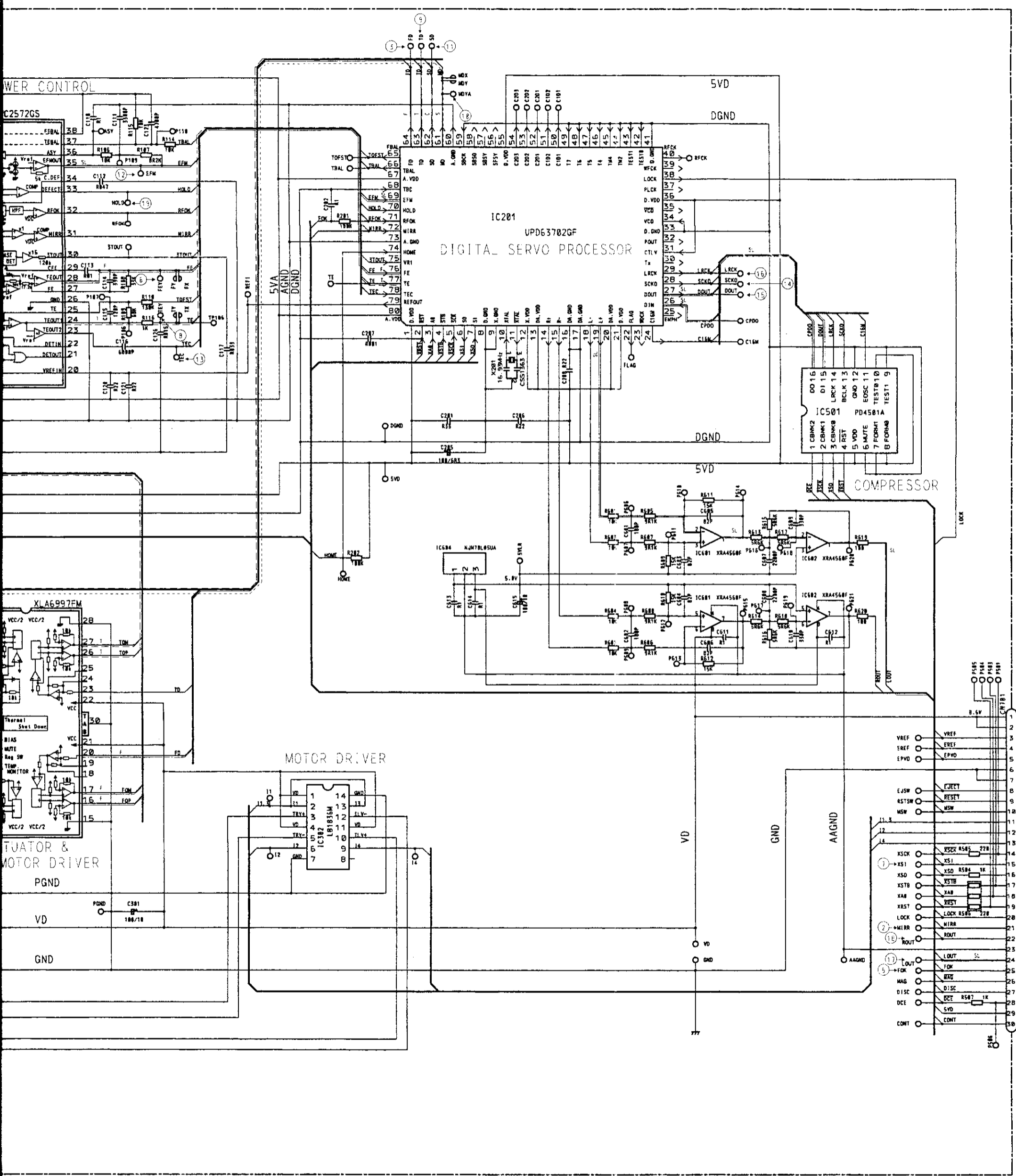
10.2 CD MECHANISM MODULE

● Circuit Diagram (CDX-P626S/UC)



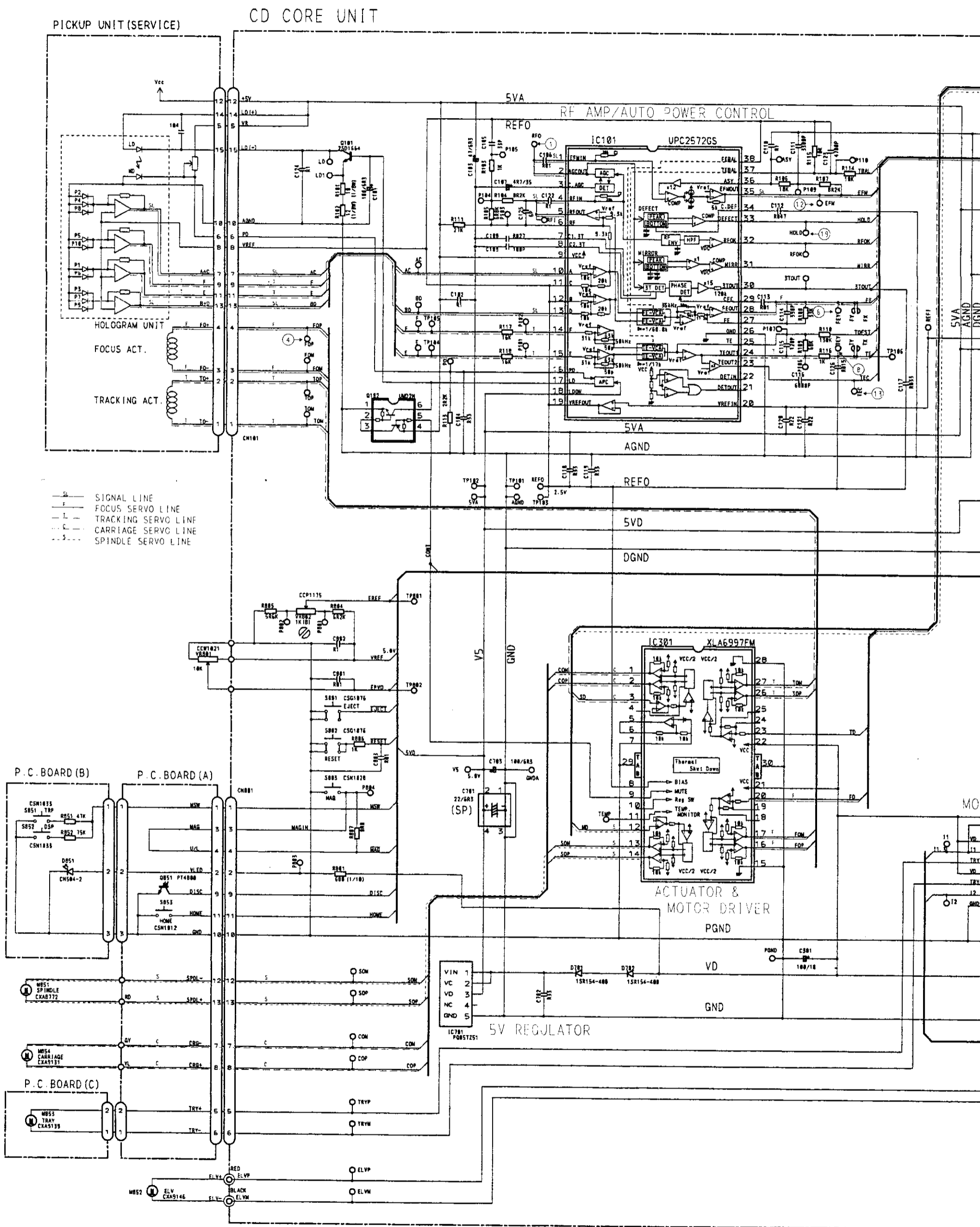
NOTE:

- Symbol indicates a resistor. No differentiation is made between chip and discrete resistors.
- C— Symbol indicates a capacitor. No differentiation is made between chip and discrete capacitors.

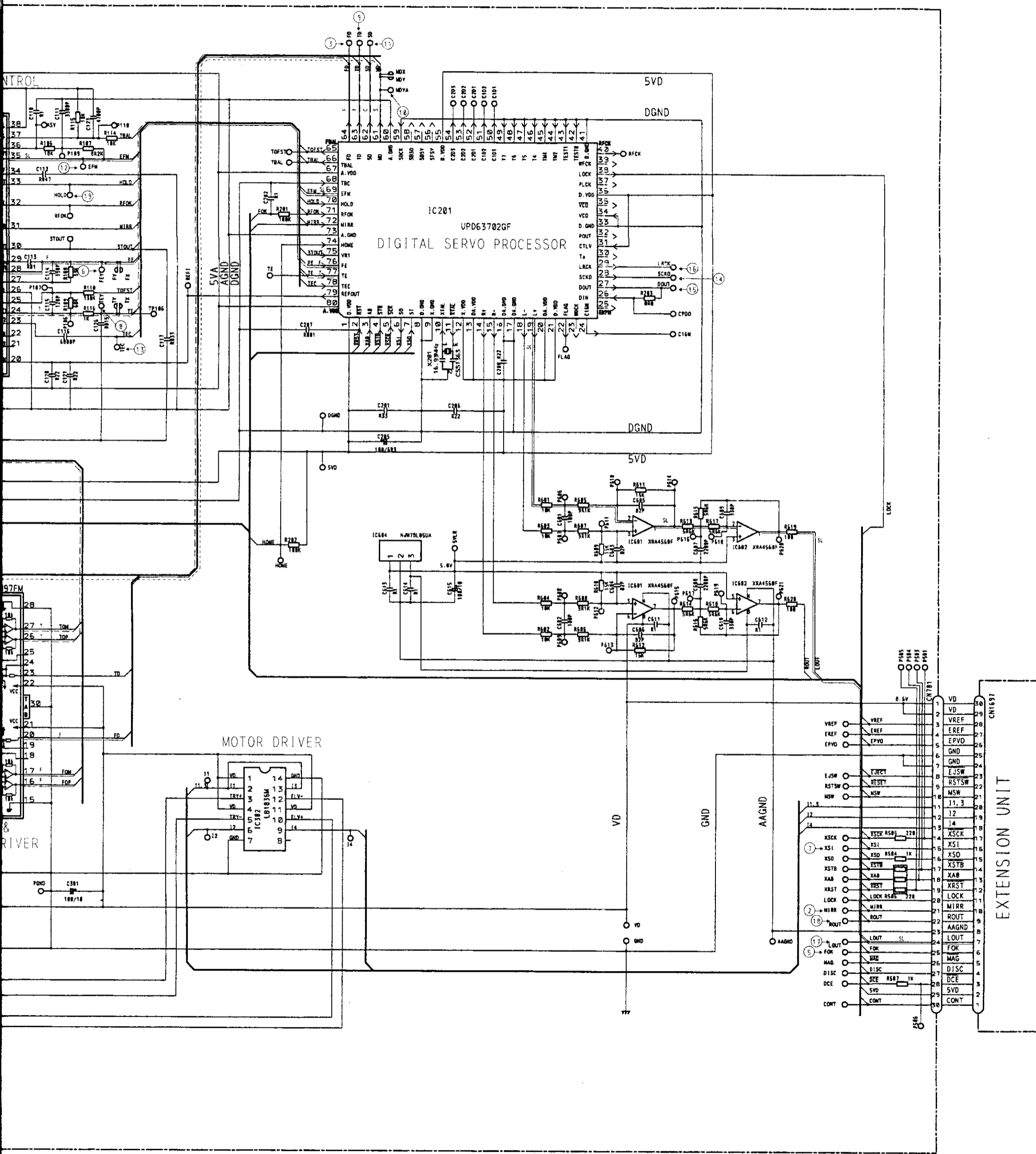


NOTE:
 □ Symbol indicates a resistor. No differentiation is made between chip resistors and discrete resistors.
 □ Symbol indicates a capacitor. No differentiation is made between chip capacitors and discrete capacitors.

Decimal points for resistor and capacitor fixed values are expressed as:
 2.2→R22
 0.022→R022



NOTE:
 □ Symbol indicates a resistor. No differentiation is made between chip resistors and discrete resistors.
 □ Symbol indicates a capacitor. No differentiation is made between chip capacitors and discrete capacitors.



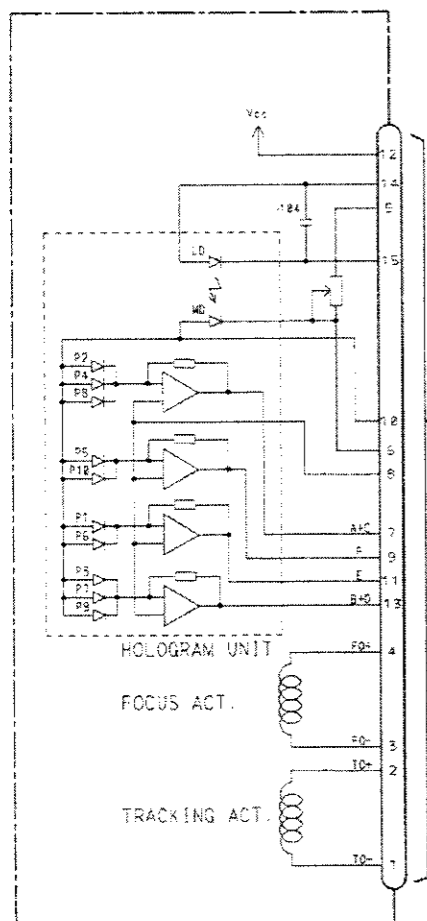
R indicates a resistor.
 Orientation is made between chip resistors and
 resistors.
 C indicates a capacitor.
 Orientation is made between chip capacitors and
 capacitors.

Decimal points for resistor
 and capacitor fixed values
 are expressed as:
 2.2→2R2
 0.022→R022

Fig. 1

● Connection Diagram

PICKUP UNIT (SERVICE)



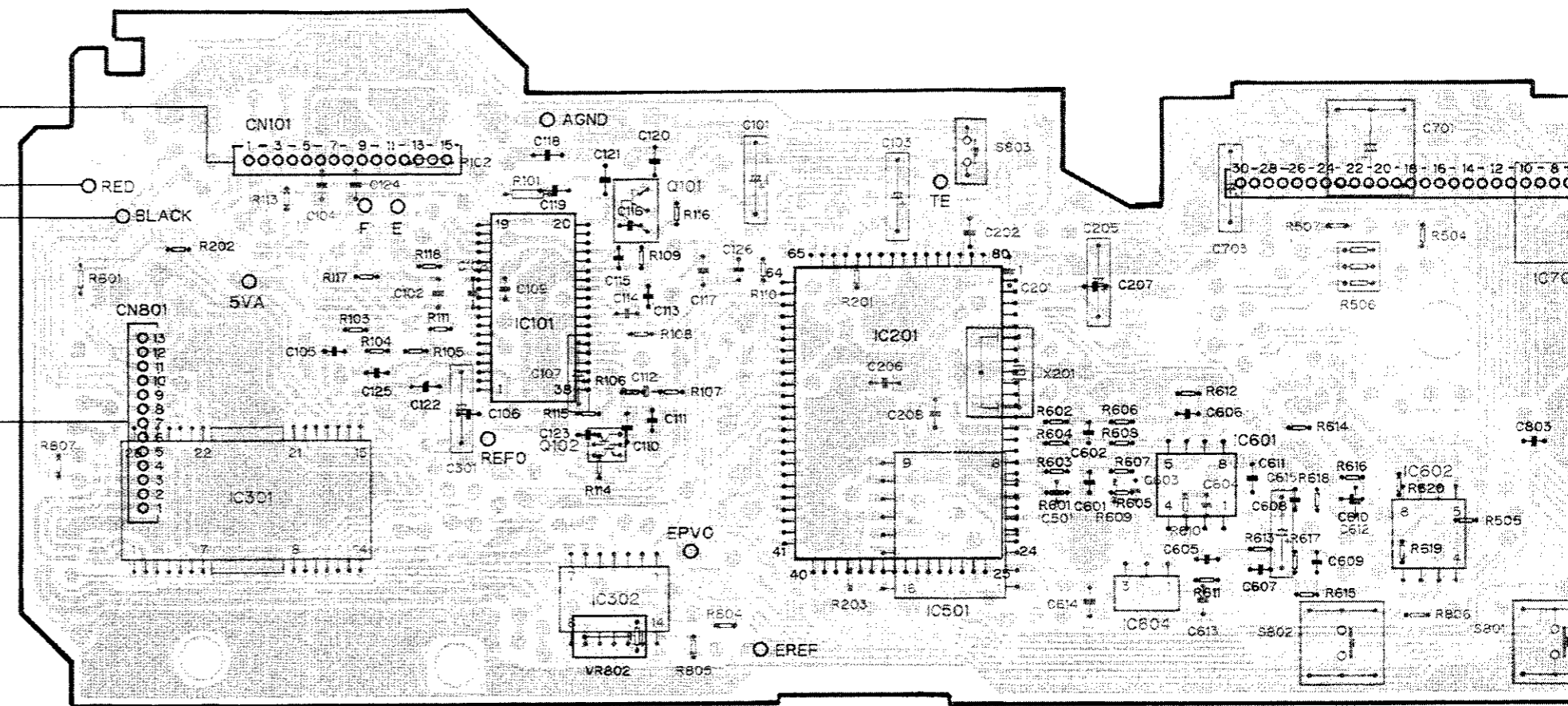
CD CORE UNIT
CN101

P.C. BOARD (A)

CD CORE UNIT

IC, Q	IC301	IC101	Q102 IC302 Q101	IC201 IC501	IC604 IC601	IC602	IC701
ADJ			VR802				

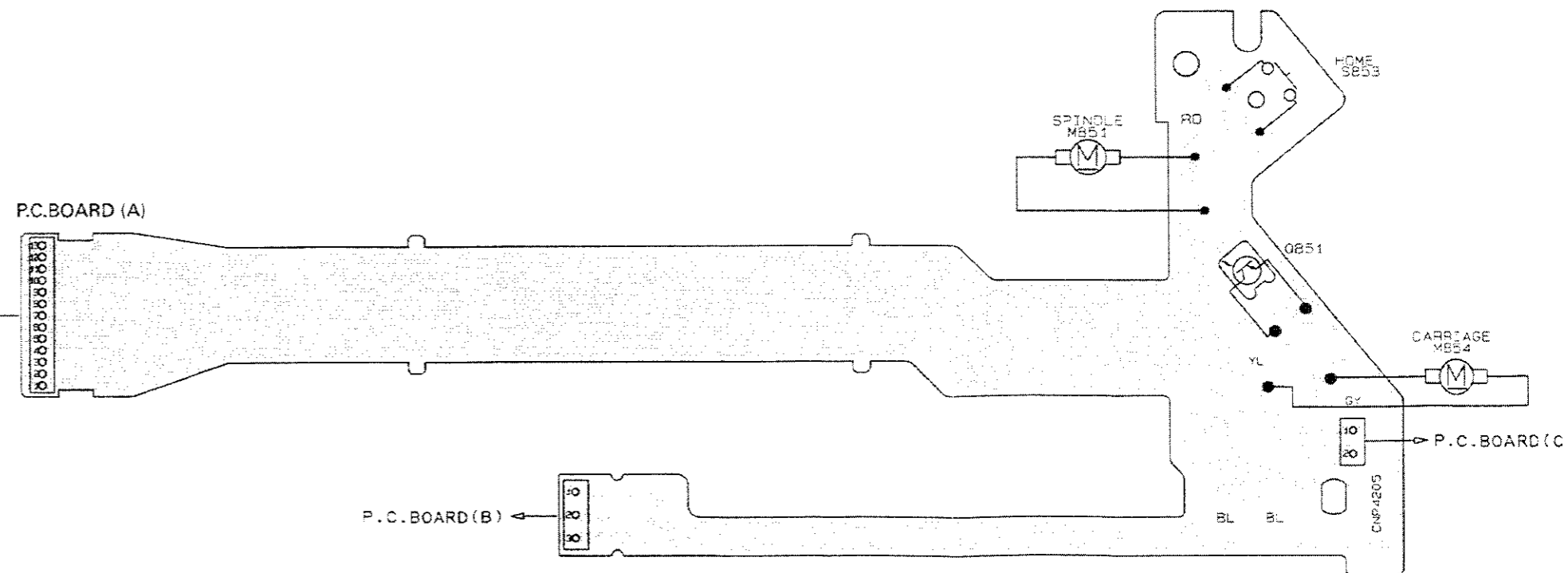
PICKUP UNIT
(SERVICE)

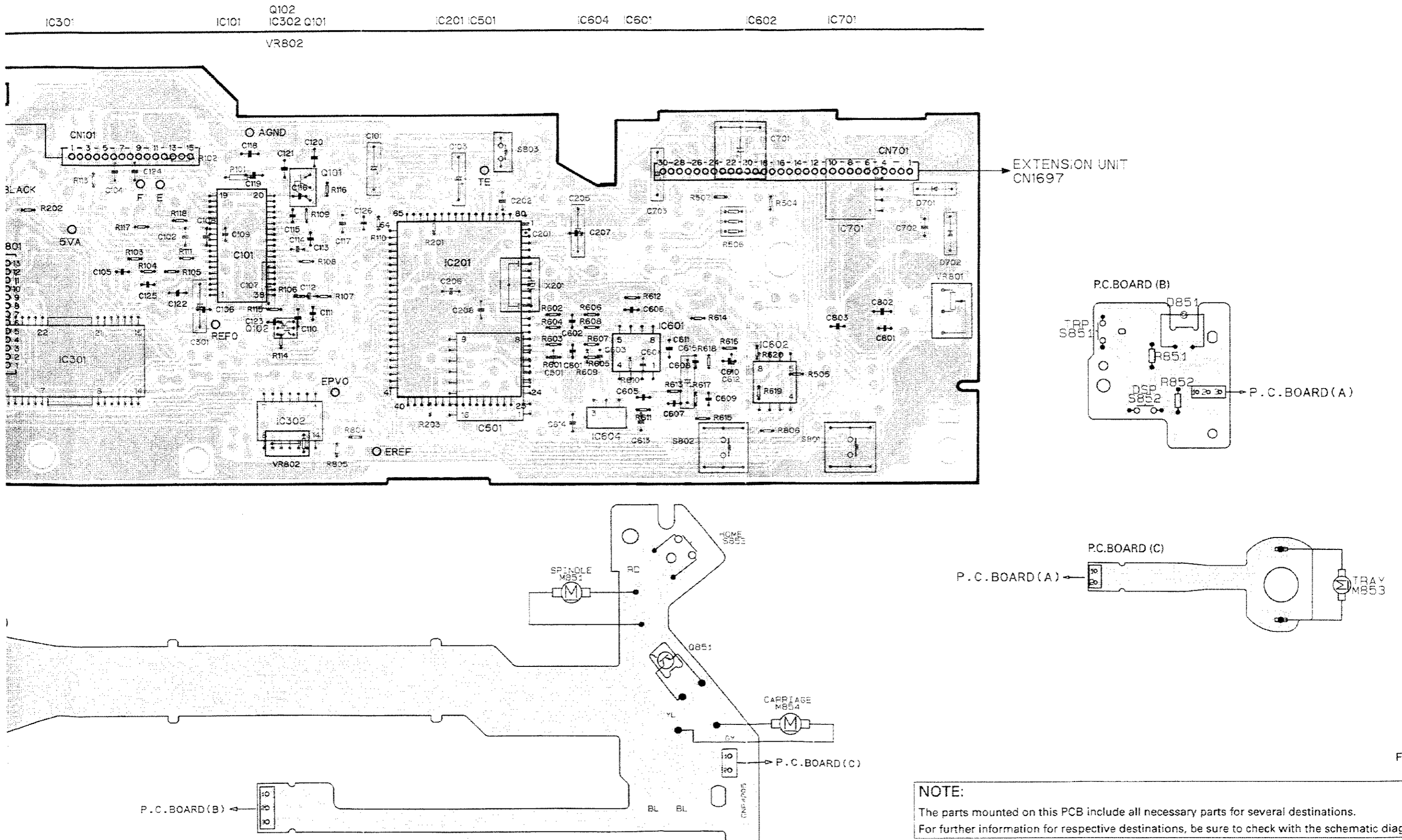


P.C. BOARD (A)

CD CORE UNIT
CN801

P.C. BOARD (B)



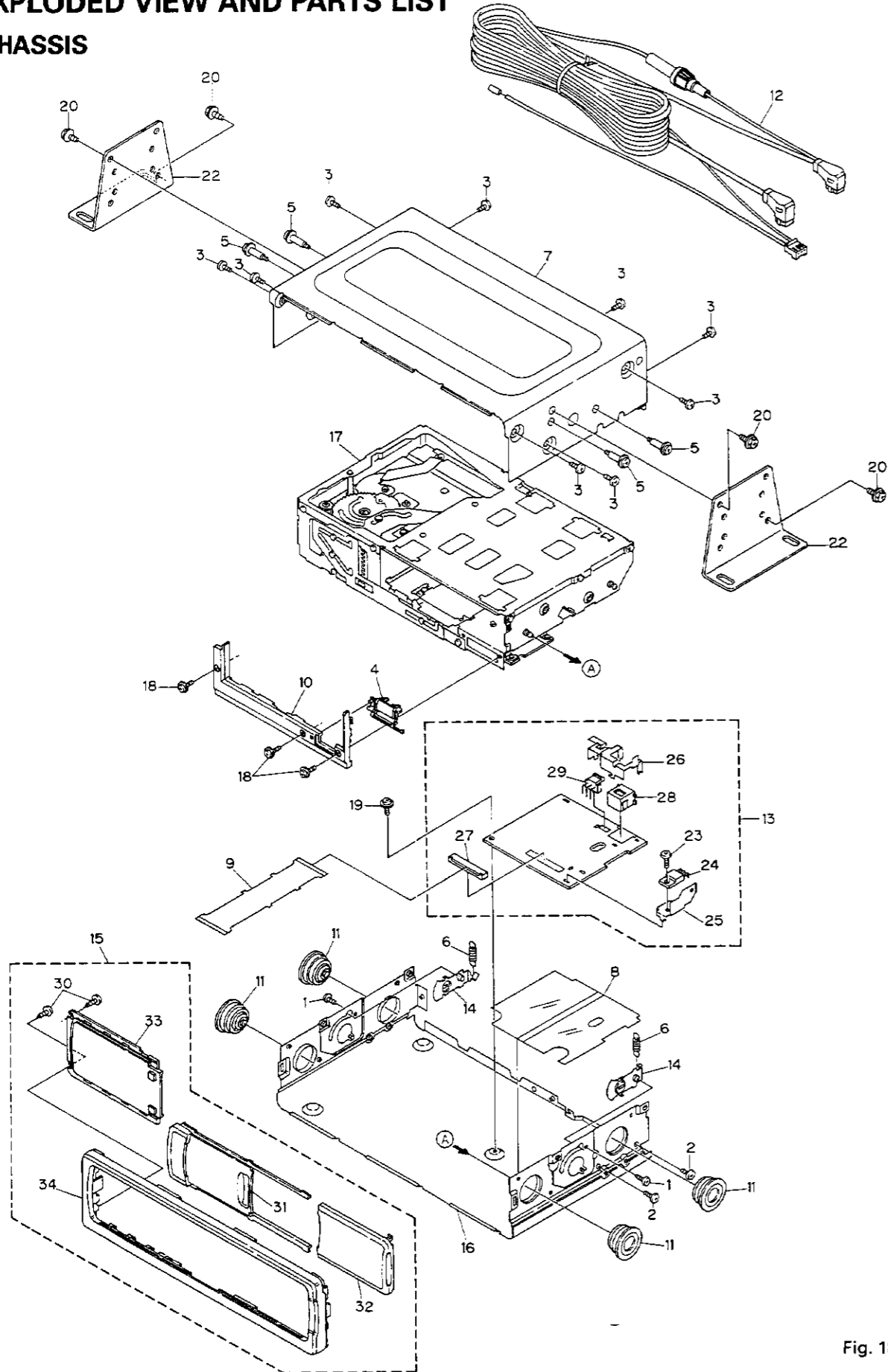


NOTE:
The parts mounted on this PCB include all necessary parts for several destinations.
For further information for respective destinations, be sure to check with the schematic diagram.

Fig. 17

11. EXPLODED VIEW AND PARTS LIST

11.1 CHASSIS



NOTES:

●Parts marked by "*" are generally unavailable because they are not in our Master Spare Parts List.

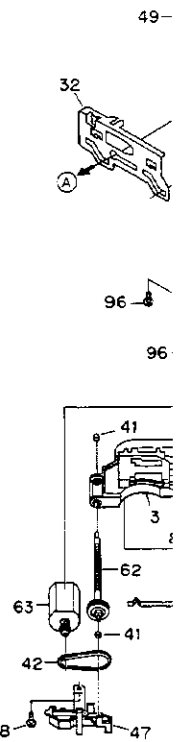
● Parts List

Mark No.	Description	Part No.	Mark No.	Description	Part No.
1	Screw	BMZ20P040FMC	21	*****	
2	Screw	BMZ26P040FMC	22	Angle	CNB2019
3	Screw	BMZ30P040FZK	23	Screw	BMZ26P060FMC
4	Button	CAC4632	24	Transistor(Q1903)	2SD2396
5	Screw	CBA1352	25	Holder	CNC6313
6	Spring	CBH1859	26	Holder	CNC6312
7	Upper Case	CNB2079	27	Connector(CN1697)	CKS2233
8	Insulator	CNM4640	28	Connector(CN1699)	CKS3407
9	P.C.Board	CNP4402	29	Plug(CN1901)	CKS-460
10	Panel	CNS3867	30	Screw	BPZ26P080FMC
11	Damper	CNV4501	31	Door	CAT1812
12	Cord	CDE5055	32	Door	CAT1778
13	Extension Unit	CWX1948	33	Panel	CNS4105
14	Arm Unit	CXA8606	34	Grille	CNS3865
15	Grille Assy	CXA9290	35	*****	
16	Lower Case Unit	CXA9322			
17	CD Mechanism Module(C5)	CXK4410			
18	Screw	IMS20P040FZK			
19	Screw	IMS26P040FMC			
20	Screw	HMF40P080FZK			

The CDX-P620S/UC, P620S/ES and P620S/EW Parts Lists enumerated the parts which differ from those enumerated in the CDX-P626S/UC Parts List only. The parts other than those enumerated in the former are identical with those in the latter, to which you are requested to refer, accordingly.

Mark No. Description	CDX-P626S/UC Part No.	CDX-P620S/UC Part No.	CDX-P620S/ES Part No.	CDX-P620S/EW Part No.
12 Cord	CDE5055	CDE5055	CDE5055	CDE5054
13 Extension Unit	CWX1948	CWX1949	CWX1949	CWX1949
15 Grille Assy	CXA9290	CXA9289	CXA9289	CXA9289
17 CD Mechanism Module(C5)	CXK4410	CXK4400	CXK4400	CXK4400
32 Door	CAT1778	CAT1777	CAT1777	CAT1777
33 Panel	CNS4105	CNS4104	CNS4104	CNS4104

Fig. 18



NOTES:

●Parts marked by "*" are generally unavailable because they are not in our Master Spare Parts List.

● **Parts List**

Mark No.	Description	Part No.	Mark No.	Description	Part No.
1	Screw	BMZ20P040FMC	21	*****	
2	Screw	BMZ26P040FMC	22	Angle	CNB2019
3	Screw	BMZ30P040FZK	23	Screw	BMZ26P060FMC
4	Button	CAC4632	24	Transistor(Q1903)	2SD2396
5	Screw	CBA1352	25	Holder	CNC6313
6	Spring	CBH1859	26	Holder	CNC6312
7	Upper Case	CNB2079	27	Connector(CN1697)	CKS2233
8	Insulator	CNM4640	28	Connector(CN1699)	CKS3407
9	P.C.Board	CNP4402	29	Plug(CN1901)	CKS-460
10	Panel	CNS3867	30	Screw	BPZ26P080FMC
11	Damper	CNV4501	31	Door	CAT1812
12	Cord	CDE5055	32	Door	CAT1778
13	Extension Unit	CWX1948	33	Panel	CNS4105
14	Arm Unit	CXA8606	34	Grille	CNS3865
15	Grille Assy	CXA9290	35	*****	
16	Lower Case Unit	CXA9322			
17	CD Mechanism Module(C5)	CXK4410			
18	Screw	IMS20P040FZK			
19	Screw	IMS26P040FMC			
20	Screw	HMF40P080FZK			

The CDX-P620S/UC, P620S/ES and P620S/EW Parts Lists enumerated the parts which differ from those enumerated in the CDX-P626S/UC Parts List only. The parts other than those enumerated in the former are identical with those in the latter, to which you are requested to refer, accordingly.

Mark No. Description	CDX-P626S/UC Part No.	CDX-P620S/UC Part No.	CDX-P620S/ES Part No.	CDX-P620S/EW Part No.
12 Cord	CDE5055	CDE5055	CDE5055	CDE5054
13 Extension Unit	CWX1948	CWX1949	CWX1949	CWX1949
15 Grille Assy	CXA9290	CXA9289	CXA9289	CXA9289
17 CD Mechanism Module(C5)	CXK4410	CXK4400	CXK4400	CXK4400
32 Door	CAT1778	CAT1777	CAT1777	CAT1777
33 Panel	CNS4105	CNS4104	CNS4104	CNS4104

11.2 CD MECHANISM MODULE

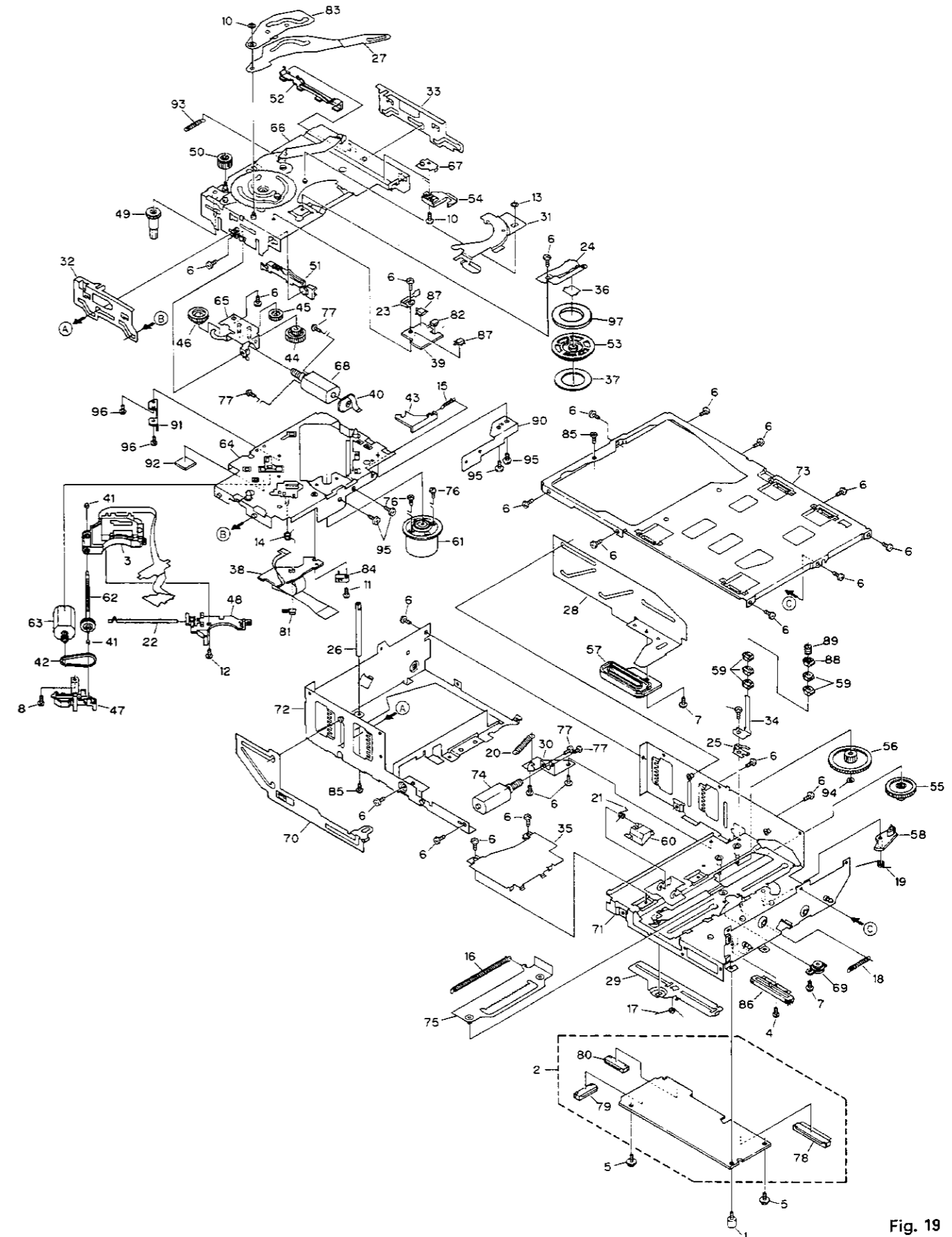


Fig. 19

● Part List

Mark No.	Description	Part No.	Mark No.	Description	Part No.
1	Screw	CBA1369	48	Holder	CNV4412
2	CD Core Unit (CDX-P626S/UC)	CWX1944	49	Gear	CNV4416
	CD Core Unit (CDX-P620S/UC, P620/ES, P620/EW)	CWX1943	50	Gear	CNV4417
3	Pickup Unit(Service)	CXX1235	51	Rail(White)	CNV4419
4	Screw	JFZ17P020FNI	52	Rail(Black)	CNV4420
5	Screw	IMS26P040FMC	53	Clamper	CNV4421
6	Screw(M2×2.5)	CBA1037	54	Lever	CNV4422
7	Screw(M2×2.5)	CBA1077	55	Gear	CNV4423
			56	Gear	CNV4424
8	Screw(M2×2.5)	CBA1085	57	Rack	CNV4425
9	Screw(M2×6)	CBA1166	58	Arm	CNV4426
10	Screw(M2×4)	CBA1176	59	Guide	CNV4597
11	Screw(M2×6)	CBA1229	60	Arm	CNV4670
12	Screw(M2×4)	CBA1362	61	Motor Unit(C5)(M851)(Spindle)	CXA9371
			62	Screw Unit	CXA9130
13	Washer	CBF1002	63	Motor Unit(C5)(M854)(Carriage)	CXA9131
14	Spring	CBH1822	64	Chassis Unit	CXA9133
15	Spring	CBH1944	65	Bracket Unit	CXA9134
16	Spring	CBH1826	66	Chassis Unit	CXA9137
17	Spring	CBH1827	67	Plate Unit	CXA9138
18	Spring	CBH1828	68	Motor Unit(C5)(M853)(Tray)	CXA9139
19	Spring	CBH1829	69	Damper Unit	CXA7714
20	Spring	CBH1830	70	Lever Unit	CXA9141
21	Spring	CBH1919	71	Magazine Holder Unit	CXA9143
22	Spring	CBL1241	72	Frame Unit	CXA9144
23	Spring	CBL1242	73	Frame Unit	CXA9145
24	Spring	CBL1249	74	Motor Unit(C5)(M852)(ELV)	CXA9146
25	Spring	CBL1295	75	Lever Unit	CXA9147
26	Shaft	CLA2803	76	Screw	JFZ17P020FNI
27	Arm	CNC6181	77	Screw	JFZ20P025FNI
28	Lever	CNC6191	78	Connector(CN701)	CKS1968
29	Lever	CNC6194	79	Connector(CN801)	CKS3484
30	Bracket	CNC6292	80	Connector(CN101)	CKS3486
31	Lever	CNC6534	81	Photo-Transistor(Q851)	PT4800
32	Lever	CNC6535	82	LED(D851)	CN504-2
33	Lever	CNC6536	83	Arm	CNC6799
34	Holder	CNC6538	84	Switch(S853)	CSN1012
35	Cover	CNC6657	85	Screw(M2×3)	CBA1062
36	Spacer	CNM4879	86	Volume(VR801)	CCW1021
37	Sheet	CNM4932	87	Switch(S851,852)	CSN1033
38	P.C.Board	CNP4205	88	Guide	CNV4722
* 39	P.C.Board	CNP4537	89	Spring	CBH1033
40	P.C.Board	CNP4382	90	Holder	CNC6819
41	Bearing	CNR1423	91	Holder	CNC6827
42	Belt	CNT1071	92	Sheet	CNM5020
43	Plate	CNV4761	93	Spring	CBH1931
44	Gear	CNV4403	94	Washer	CBF1031
45	Gear	CNV4404	95	Screw(M2×2)	CBA1250
46	Gear	CNV4406	96	Screw(M2×2)	CBA1250
47	Cover	CNV4411	97	Plate	CNC6847

11.3 MAGAZINE ASSY(CXA9156)

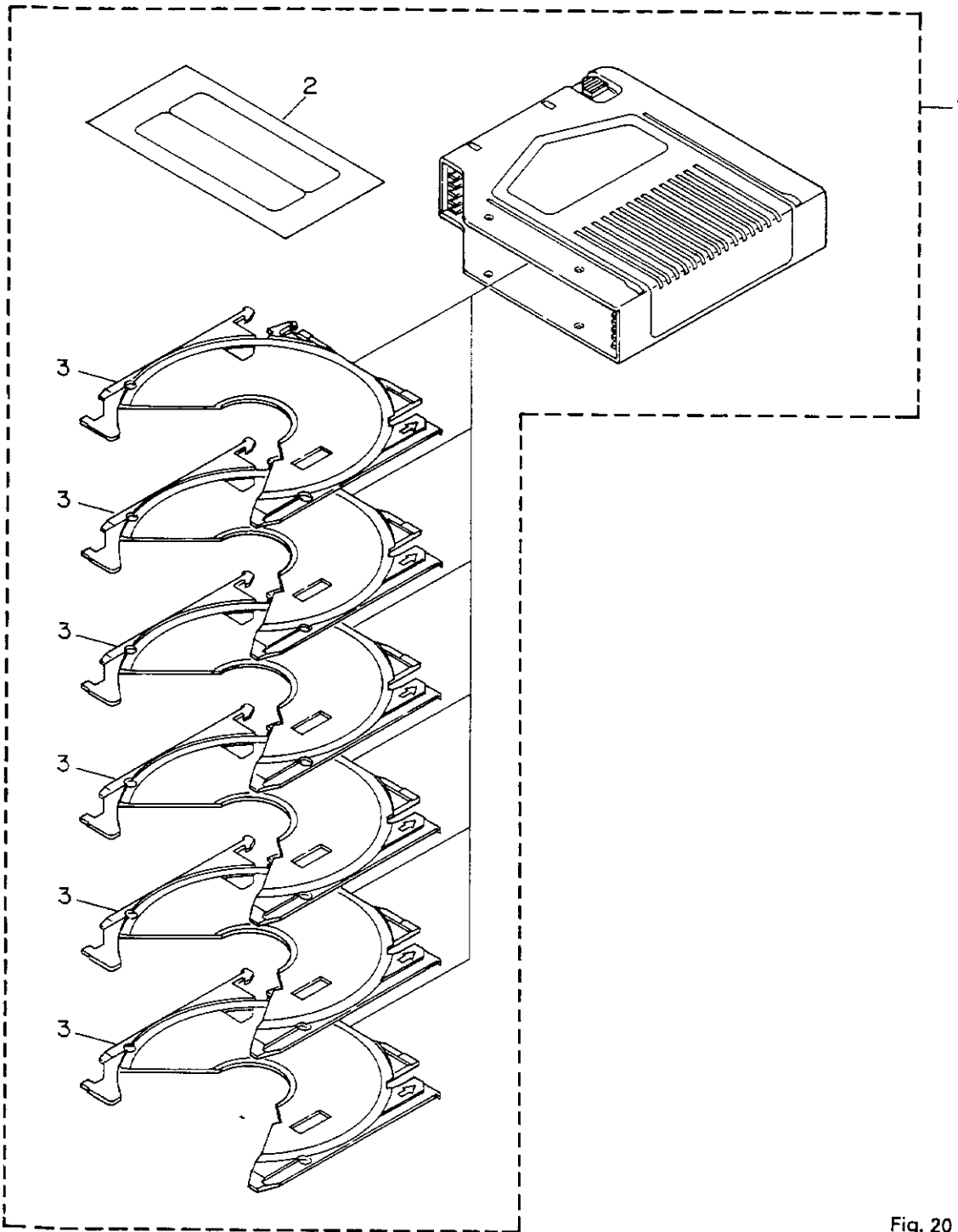


Fig. 20

● Parts List

Mark No.	Description	Part No.
1	Magazine Assy	CXA9156
2	Label	CRW1348
3	Tray Assy	CXA9161

12. PACKING METHOD

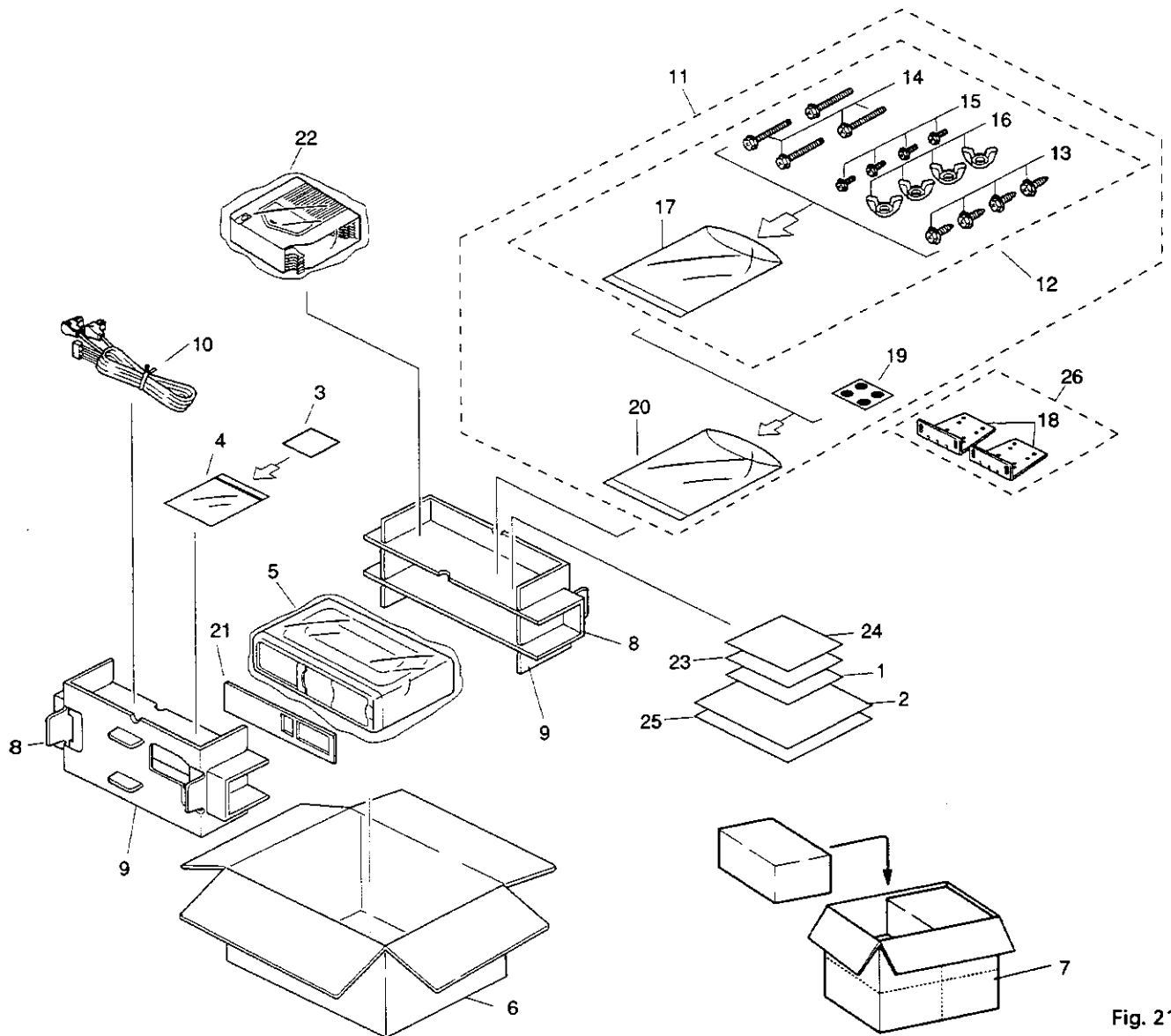


Fig. 21

● Parts List

Mark No.	Description	Part No.
*	1	
	2 Owner's Manual	CRD2081
*	3 Caution Card	CRP1090
*	4 Polyethylene Bag	CEG1099
	5 Polyethylene Bag	CEG1185
	6 Carton	CHG3044
	7 Contain Box	CHL3044
	8 Protector	CHP1817
	9 Protector	CHP1818
	10 Cord	CDE5055
*	11 Accessory Assy	CEA2238
	12 Screw Assy	CEA1962
	13 Screw	CBA1295
	14 Screw	HMB60P500FMC
	15 Screw	HMF40P080FZK

Mark No.	Description	*: Non Spare Parts Part No.
	16 Nut	NF60FMC
*	17 Polyethylene Sheet	CNM4338
	18 Angle	CNB2019
	19 Seal	CNM4918
*	20 Polyethylene Bag	E36-634
	21 Spacer	CHW1528
	22 Magazine Assy	CXA9156
*	23 Caution Card	CRD1149
*	24 Warranty Card	CRY1070
	25	
	26 Angle Assy	CXA9655

CDX-P626S,P620S

- The CDX-P620S/UC, P620S/ES and P620S/EW Parts Lists enumerated the parts which differ from those enumerated in the CDX-P626S/UC Parts List only. The parts other than those enumerated in the former are identical with those in the latter, to which you are requested to refer, accordingly. CDX-P626S/UC Parts List is given on page 47.

Mark No.	Description	CDX-P626S/UC	CDX-P620S/UC	CDX-P620S/ES	CDX-P620S/EW
		Part No.	Part No.	Part No.	Part No.
*	1 Card	*****	ARY1048	*****	*****
	2 Owner's Manual	CRD2081	CRD2080	CRD2084	CRD2082
	5 Polyethylene Bag	CEG1185	CEG1185	CEG1042	CEG1042
	6 Carton	CHG3044	CHG3043	CHG3042	CHG3041
	7 Contain Box	CHL3044	CHL3043	CHL3042	CHL3041
*	24 Warranty Card	CRY1070	*****	*****	CRY1087
	25 Owner's Manual	*****	*****	*****	CRD2083

● Owner's Manual

Part No.	Model	Language
CRD2081	CDX-P626S/UC	English, French
CRD2080	CDX-P620S/UC	English, French
CRD2084	CDX-P620S/ES	English, Spanish, Portuguese, Arabic
CRD2082	CDX-P620S/EW	English, French, Italian
CRD2083	CDX-P620S/EW	German, Dutch, Spanish

Service Manual

 **PIONEER**
The Art of Entertainment



PION-05236

ORDER NO.
CRT1857

CD MECHANISM MODULE

CX-652

- This service manual describes operation of the CD mechanism incorporated in models listed in the table below.
- When performing repairs use this manual together with the specific manual for model under repair.

Model	Service Manual	CD Mechanism Module	CD Mechanism Unit
CDX-P626S/UC	CRT1854	CXK4410	CXA9005
CDX-P620S/UC, ES, EW	CRT1854	CXK4400	CXA9005
CDX-FM629S/UC	CRT1858	CXK4410	CXA9005
CDX-FM627S/UC, ES, EW	CRT1858	CXK4400	CXA9005
CDX-FM623S/UC, ES, GB	CRT1859	CXK4400	CXA9005

CONTENTS

1. SERVICING PRECAUTIONS	2
2. DISASSEMBLY	2
3. MECHANICAL DESCRIPTION	6
4. CIRCUIT DESCRIPTION	11

PIONEER ELECTRONIC CORPORATION 4-1, Meguro 1-Chome, Meguro-ku, Tokyo 153, Japan
PIONEER ELECTRONICS SERVICE INC. P.O.Box 1760, Long Beach, CA 90801-1760 U.S.A.
PIONEER ELECTRONIC [EUROPE] N.V. Haven 1087 Keetberglaan 1, 9120 Melsele, Belgium
PIONEER ELECTRONICS ASIACENTRE PTE.LTD. 501 Orchard Road, #10-00, Lane Crawford Place, Singapore 09

© PIONEER ELECTRONIC CORPORATION 1996

K-FFD. JUNE 1996 Printed in Japan

1. SERVICING PRECAUTIONS

- 1) Do not carry out any work holding the upper surface of the magazine insert slot on the mechanism, marked by an arrow, since it deforms easily.
- 2) When the Stage Mechanism is positioned below the 5th level, it protrudes below the chassis. Do not leave it in this position as it may become damaged.

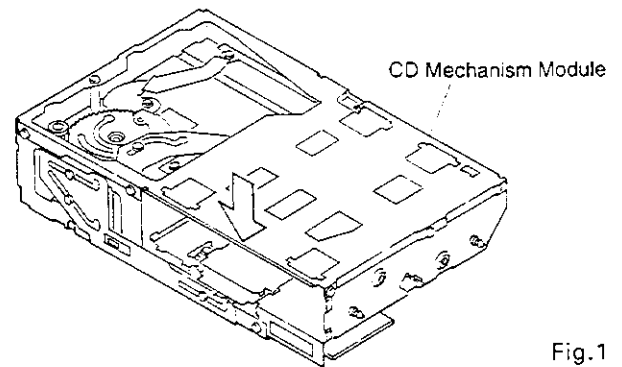


Fig.1

2. DISASSEMBLY

● Removing the Pick-up Unit

1. Attach the Short Pin onto the Flexible P.C.Board of the Pick-up Unit.(Fig.2)
2. Remove the Flexible P.C.Board from the connector.(Fig.2)
3. Remove the Torsion Spring which is pressed against the leading edge of the Feed Screw.(Fig.3)
4. Remove the Screw and Pulley Cover.(Fig.3)
5. Remove the Belt and the Pick-up Unit with the Feed Screw still attached.(Fig.3)
6. Lift the Tabs of the rack section of the Holder and remove the Feed Screw. While doing so, be careful not to lose the Bearings on the ends of the Feed Screw.(Fig.3)

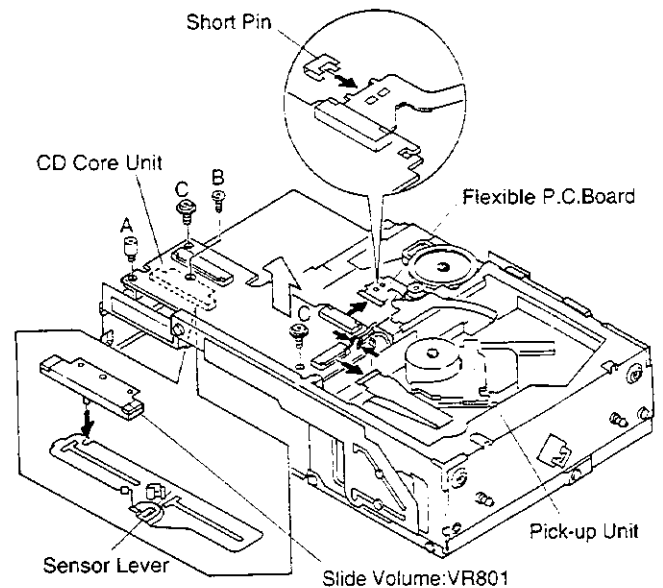


Fig.2

● Removing the CD Core Unit (Fig.2)

1. After procedures 1 and 2 for removing the Pick-up Unit, remove the connector.
2. Remove the Elevation Motor Assy lead wires marked with an arrow which are soldered onto the CD Core Unit.
3. Remove screw (A), screw (B) and screws (C)(2 screws), then remove the CD Core Unit.

● Precautions for Installing the CD Core Unit

If the sensor lever of the Linear Position Sensor (Slide Volume: VR801) of the CD Core Unit is not inserted properly in the U-shaped Groove the elevation operation may not function properly. When installing the CD Core Unit in the CD Mechanism Unit insert the Linear Position Sensor (Slide Volume: VR801) securely in the U-shaped Groove.

● Removing the Carriage Motor Assy (Fig.3)

1. After procedures 3 and 4 for removing the Pick-up Unit, remove the Belt, and the Carriage Motor Assy.

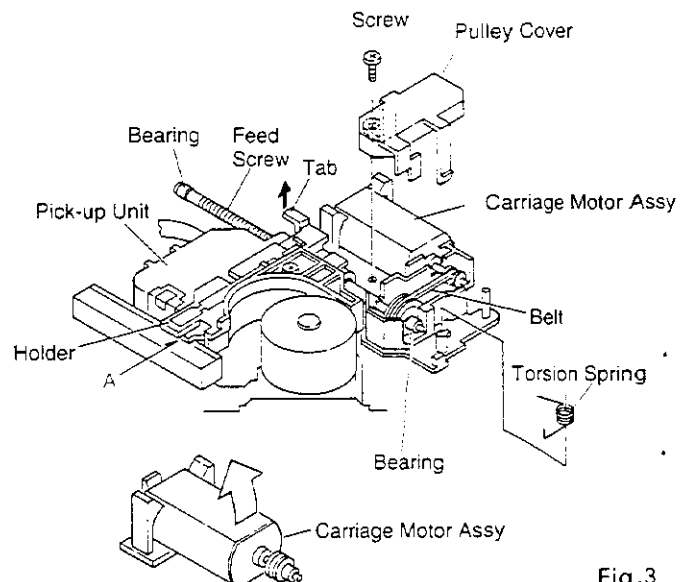


Fig.3

● **Removing the Spindle Motor Assy**

1. Turn the Tray Motor using an 8V DC voltage supply, and move the Tray Extending Arm.
2. Remove screw (D) and remove the Clamp Spring.
3. Remove the Clamper.
4. Remove the two screws (E) and remove the Spindle Motor.

● **Precautions for Installing the Spindle Motor Assy**

When installing the Spindle Motor Assy be sure the lead wires trail forward the magazine insert slot. Furthermore, make sure that the Side Pressure Holder is correctly pressed against the Shaft.

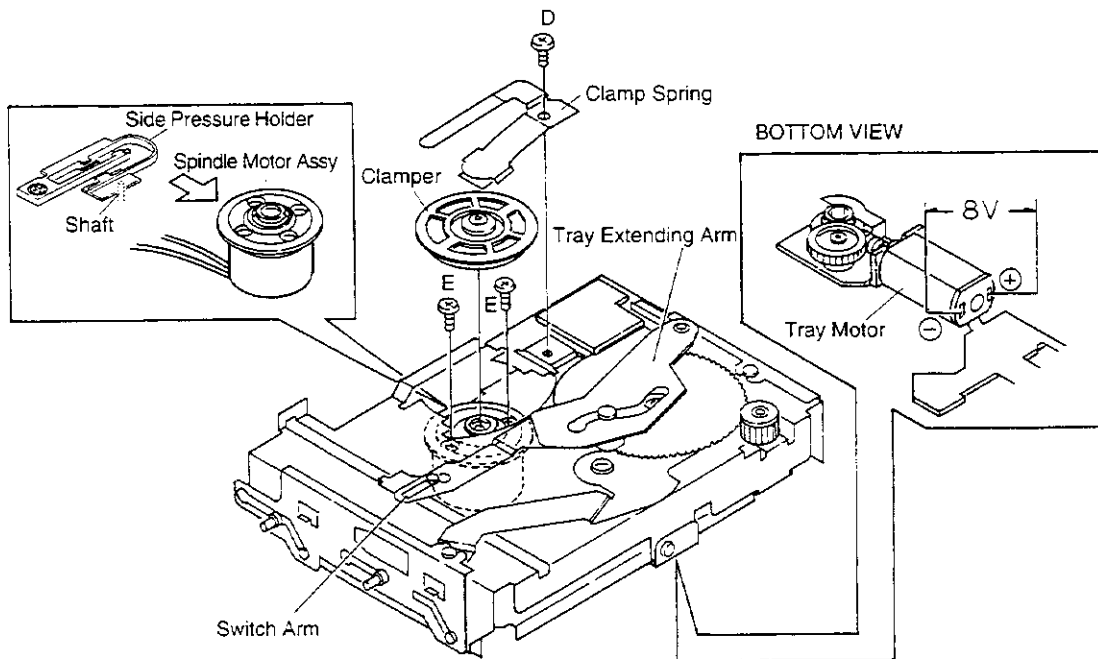


Fig.4

● **Removing the Tray Motor Assy**

1. Remove screw (F).
2. Remove the Polyslider and the Two-level Gear.
3. By moving the Front Lever, bring the Stage Mechanism to the position between markings "6" and "E" on the Front Lever.
4. Remove screw (G).
5. Moving the Front Lever again, bring the Stage Mechanism to the highest level.
6. Remove the Tray Motor Bracket (not shown in diagram).
7. Remove the two screws and remove the Tray Motor Assy (not shown in diagram).

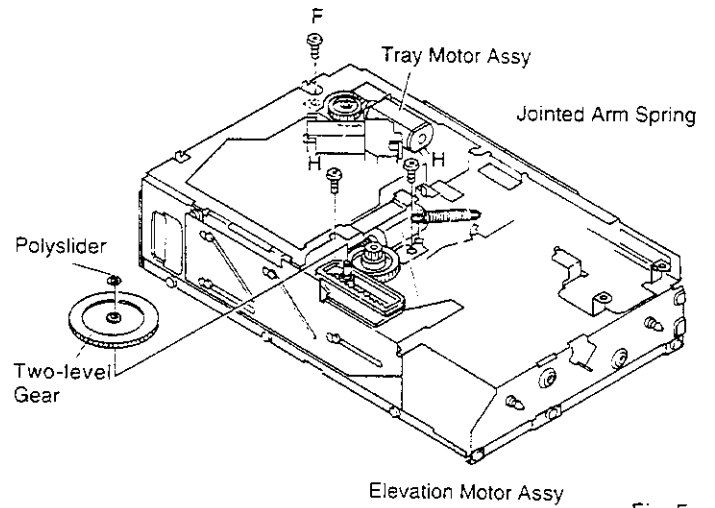


Fig.5

● **Removing the Elevation Motor Assy**

1. Remove the Jointed Arm Spring.
2. Remove the two screws (H) and remove the Motor Bracket.
3. Remove the two screws and remove the Elevation Motor Assy (not shown in diagram).

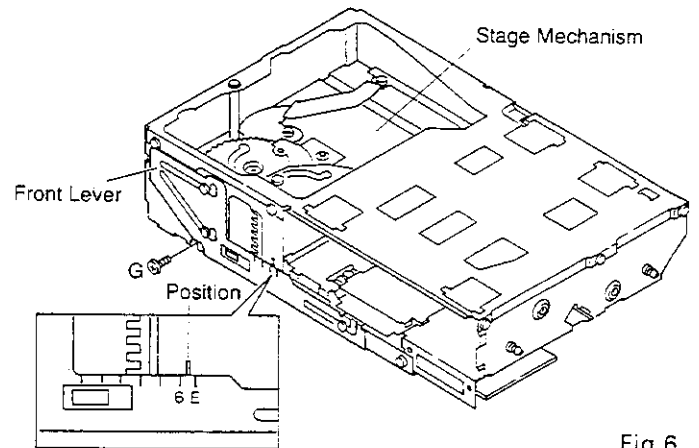


Fig.6

● **Removing the Stage Mechanism**

1. Remove the Two-level Gear.
2. Remove the screw (J), and remove the Rack.
3. When the Front Lever is moved until the Stage Mechanism is at its lowest position, the Front Lever, Rear Lever and Sensor Lever may all be removed at the same time.
4. Remove the nine screws (K), and screw (L) and then remove the Upper Frame. Do this carefully, as the Coil Spring of the Multiple Insertion Prevention Mechanism may fall off.
5. Remove the five screws (M) and screw (N) and remove the Stage Mechanism by separating the front and back of the Frame.

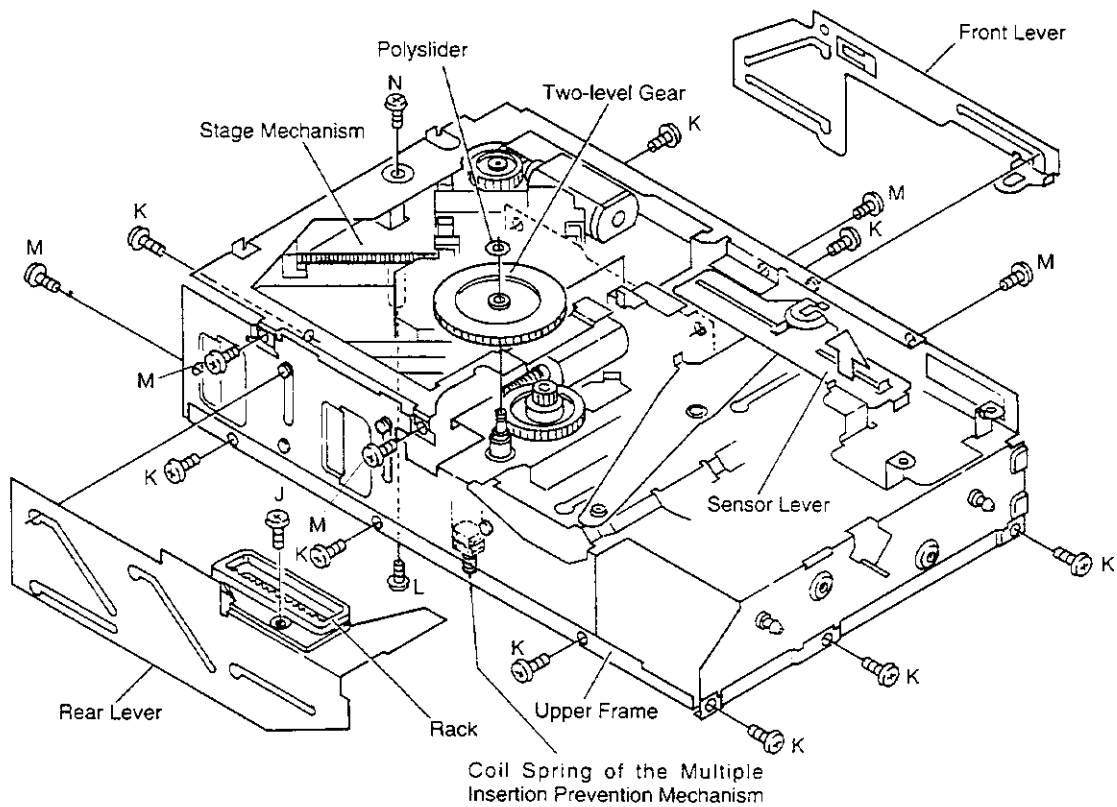


Fig.7

3. MECHANICAL DESCRIPTION

● Inserting the Magazine

1. Inserting the magazine while countering the spring force of the EJECT Lever, the Lock Arm will slide along the groove on the reverse side of the magazine and lock into place (due to the Torsion Spring on the reverse side of the Lock Arm).

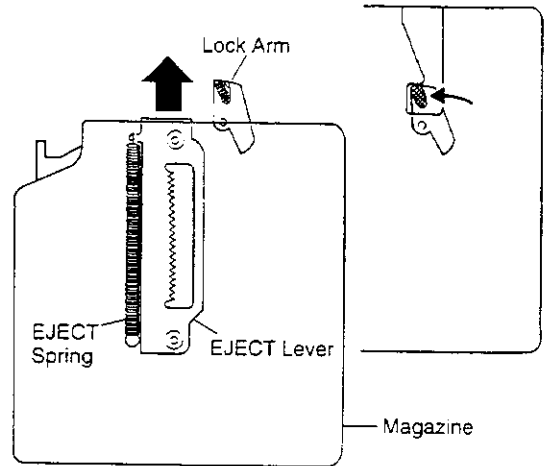


Fig.8

2. The magazine lock is detected when the Sensor Arm moves along the EJECT Lever Cam Section and presses against the MAG Switch (S803) located on the CD Core Unit. Initially, the Sensor Arm is held by the cam section of the EJECT Lever until the Magazine Lock Arm is pushed off by the groove on the reverse side of the magazine. When the Lock Arm is pushed off the cam section is released, but is held again by the Lock Arm. When the magazine lock is released, the Sensor Arm presses the MAG Switch (S803).

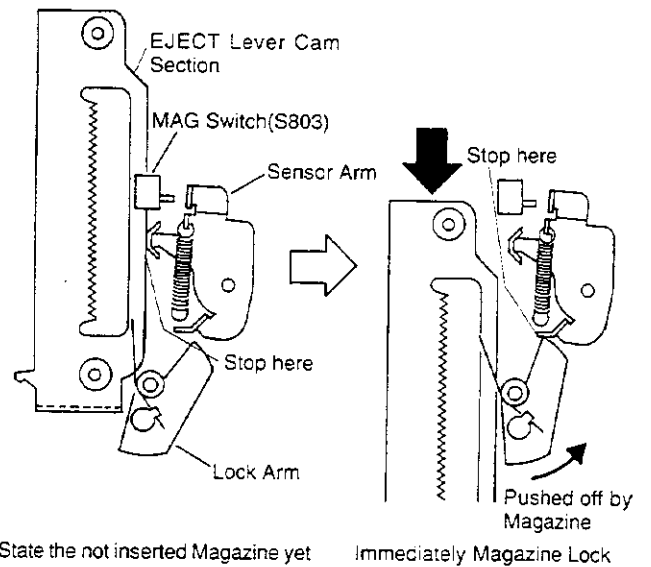


Fig.9

● Elevation Operation

The drive operation is the same as the CX-624, except that there is no motive force cancellation spring. There is a spring which is similar to this spring but its effect is the opposite in function.

● Elevation Detection

When the Rear Lever is driven the Front Lever and Sensor Lever are also driven via the Jointed Arm. The voltage is detected, and drive initiated, when the knob of the Linear Position Sensor (Slide Volume: VR801) enters the U-shaped Groove of the Sensor Lever.

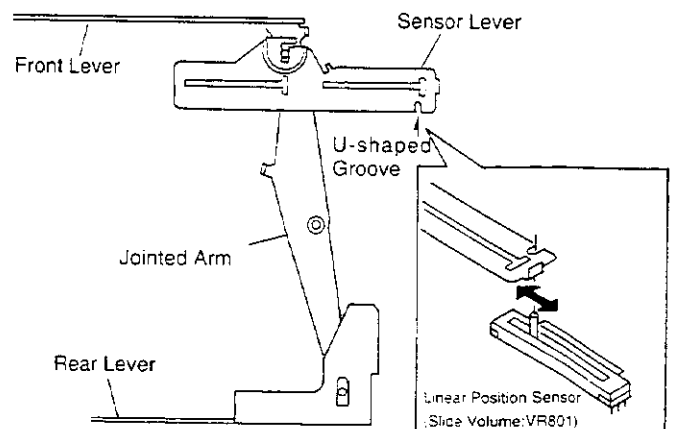


Fig.10

● Operation from the Tray Dispenser to the Clamp

When the Loading Motor drives the Cam Gear, the Tray is pulled out by the Tray Extending Arm which moves along the gear cam, and clamping is performed by sliding the Clamp Lever. During disk loading the Carriage Chassis and Spindle Motor hold positions where they do not get in the way of the Tray. However when the Cam Gear starts to turn (after completion of tray dispensation) the Clamp Lever moves and the Shaft of the Carriage Chassis is lifted by the Stepped Holes and the Carriage Chassis is drawn to the Stage Chassis. The Spindle Motor then move to the disk and lifts it from the Tray.

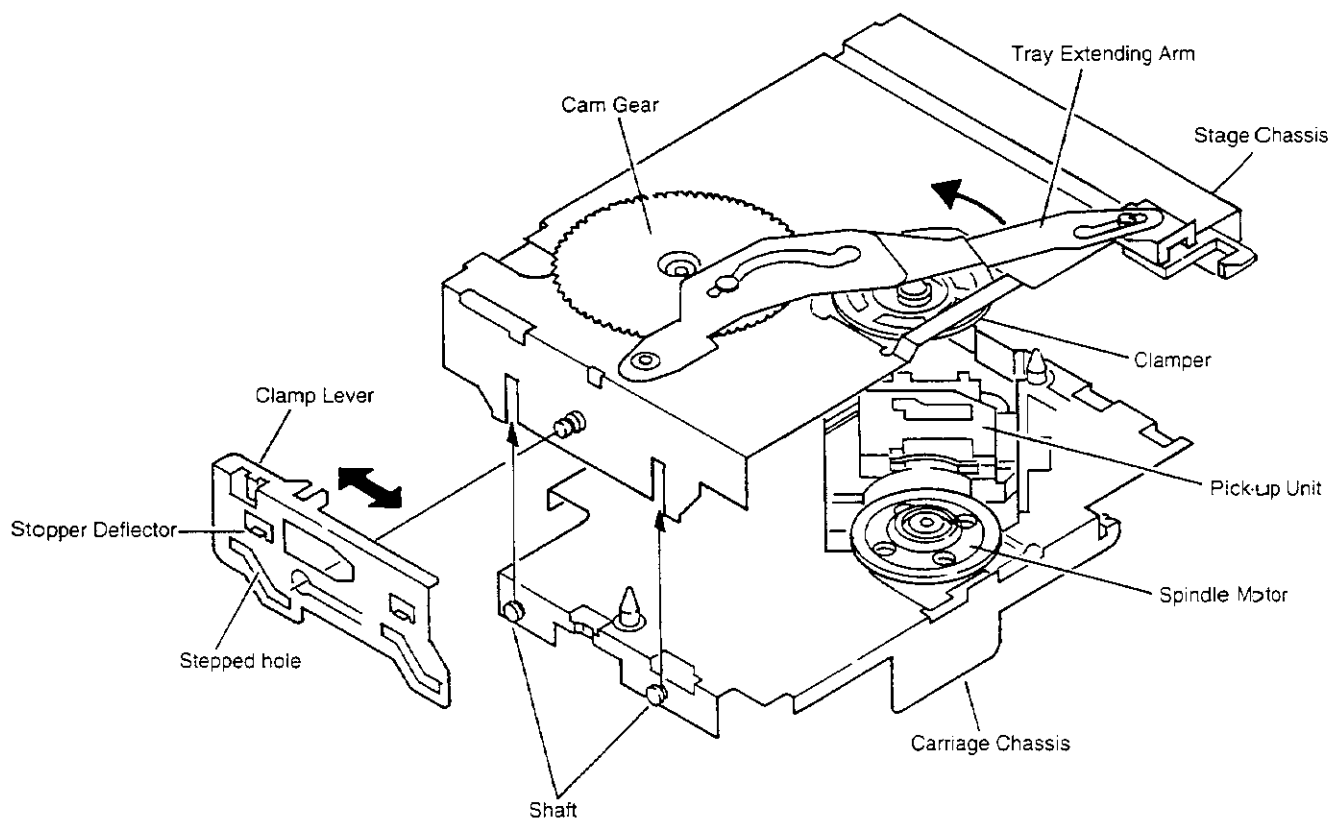


Fig.11

● **Stabilizing the Elevation Rattle**

During clamping, the Clamp Lever slides and moves the Carriage Chassis. At the same time, the Stopper of the Clamp Lever enters the Stopper of the Frame, controlling the up and down motion of the stage section.

Due to the elevation structure, the shaft of the Stage Chassis is pushed down and the stage section is stabilized. The Elevation Motor doesn't stop when the lowered position is detected, but a fixed interval after the limit of motion of the structure has been reached.

At this point, if some rattling space as shown in figure 12 is not provided, the shaft of the Stage Chassis pushes on the Clamp Lever directly (marked with ★). No force is transmitted to the Carriage Chassis and rattling occurs, resulting in a deterioration of the anti-vibration characteristics. Therefore, to reduce the rattling at each section an improvement in the anti-vibration characteristics is made by providing enough rattling space to reduce the rattling at each section and ensuring that the force is transmitted in the order of the Stage Chassis → Carriage Chassis → Clamp Lever → Frame.

* The spring of the Jointed Arm is set in such a manner that these relationships do not fall out of place.

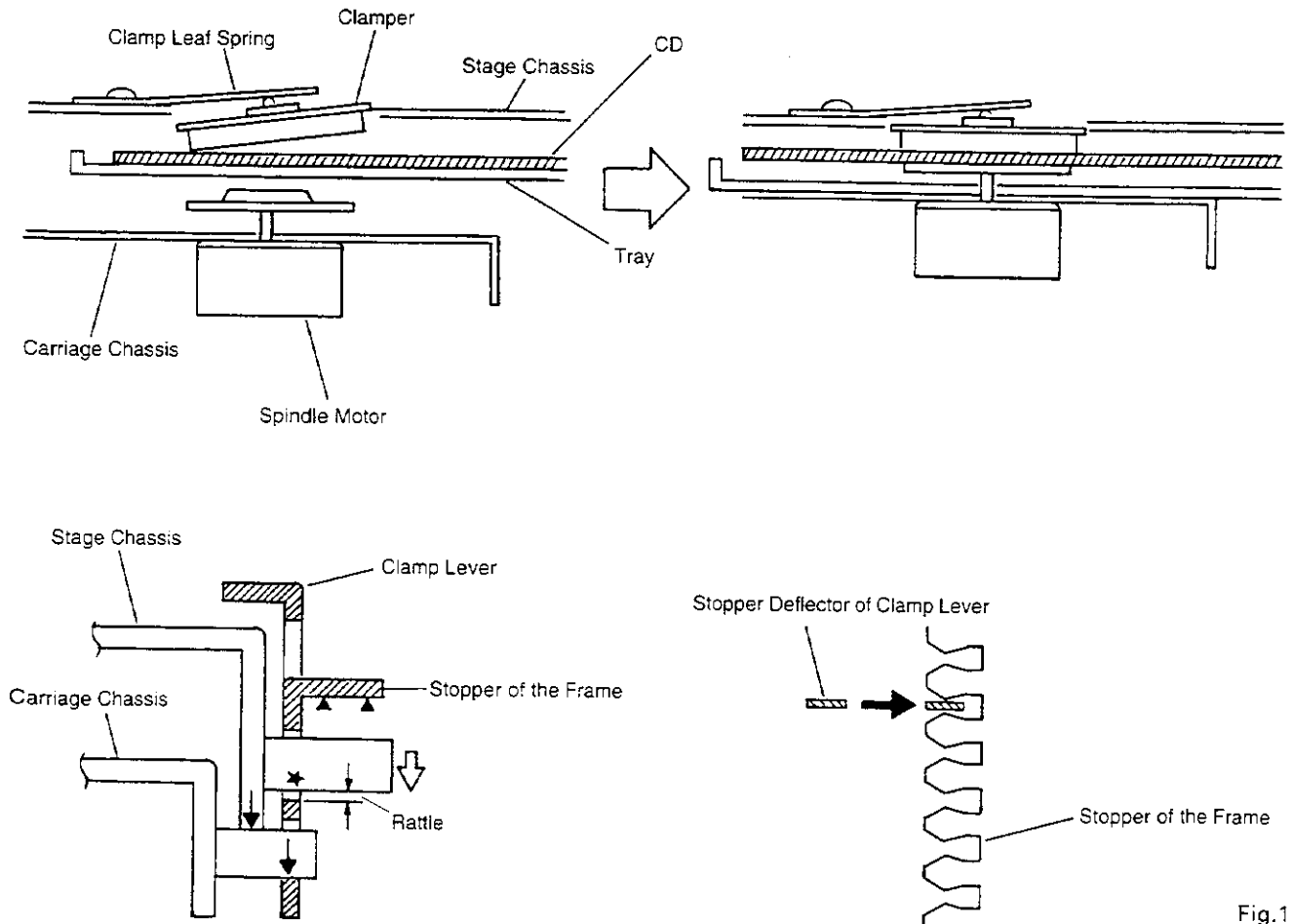


Fig.12

● Disk Detection

DSP Switch (S852) is turned ON and OFF by the DSP Switch Lever driven by the Cam Gear which controls the tray extending motion. The Photo Sensor (Q851, D851) is timed with this ON and OFF status, detecting the existence and non-existence of the disk as well as the type of disk.

● Tray Extension and Retraction Detection

A) Clamp

When the clamp motion of the Clamp Lever is complete the Jointed Arm moves and the protruding section of the arm pushes the TRP Switch (S851) ON via the Leaf Spring.

B) Tray retraction

When the tray retracts the Switch Arm, which operates on the same fulcrum as the Tray Extending Arm, moves and the TRP Switch (S851) is pushed ON by the protruding section of the arm via the Leaf Spring.

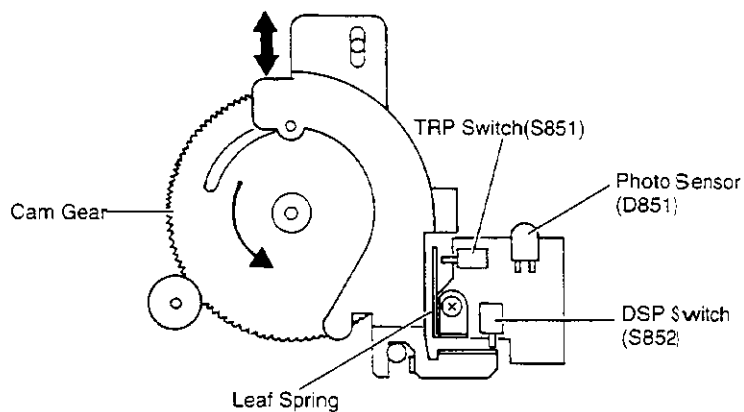


Fig. 13

● **Over-extension Prevention Structure of the Tray**

In standby mode the Stoppers are maintained in a neutral position by the upper and lower Springs. When the Tray is being dispensed the Stoppers are pushed apart by their Tapers. In this condition, even if an impact force is applied and the Tray is pushed outward, the Tray does not actually get dispensed due to the straight section of the Stopper.

Further, since force F_2 of the lower Spring is set smaller than force F_1 of the upper Spring ($F_1 > F_2$) while the Stoppers are being pushed apart, the dispensed Tray is being pushed downward at all times ($F = F_1 - F_2$), preventing vertical rattling of the Tray due to vibrations.

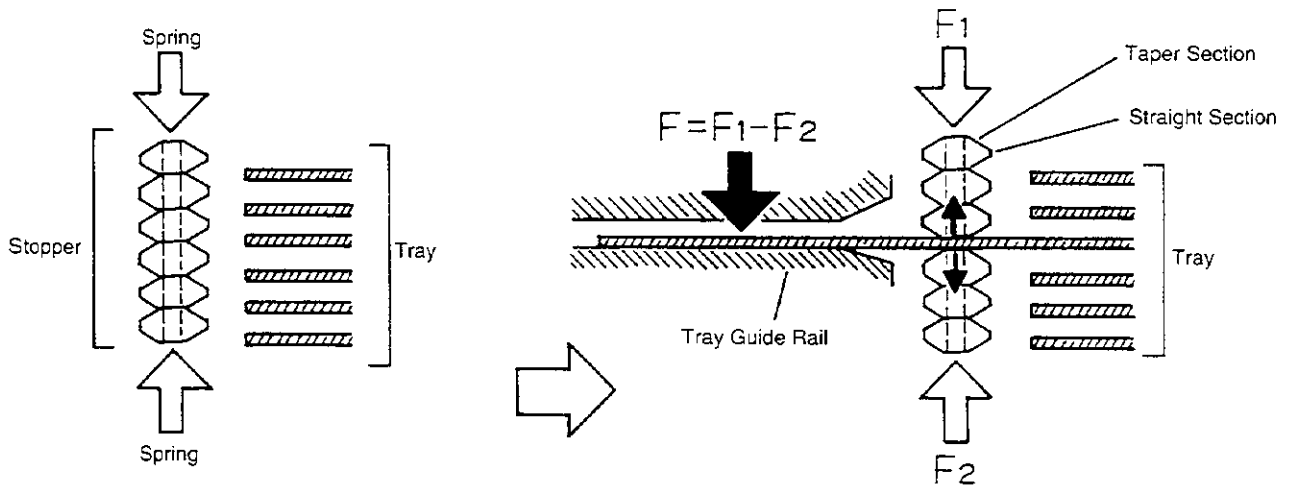


Fig.14

● **Magazine Ejection**

When the Lever is driven beyond the lowest position of the elevation the bent section of the Rear Lever pushes on the boss of the Lock Arm, releasing the lock. The magazine is ejected by the EJECT Lever.

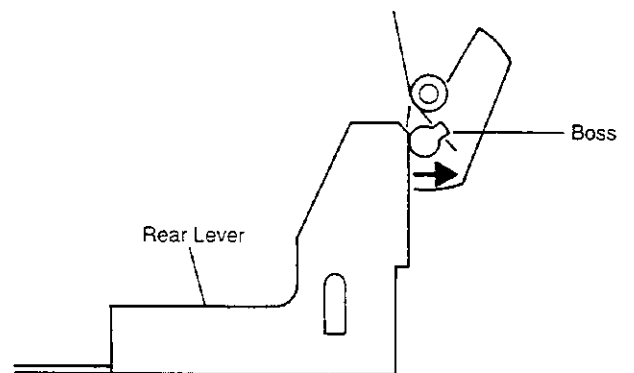


Fig.15

4. CIRCUIT DESCRIPTION

4.1 POWER SUPPLY UNIT CONFIGURATION

The power supply unit of this system consists of 4 power sources, VD(8.6V), 5VA(5V), 5VLR(5V) and VREF(5V).

- VD : Main power source. Generated in the expansion board.
- 5VA : Power source for IC101, IC201 and the Pick-up Unit. Generated by the regulator IC (IC701) from VD.
- 5VLR : Audio midpoint voltage. Generated by the regulator IC (IC604) from VD.
- VREF : Power source for Linear Position Sensor. A/D reference voltage of the microcomputer. Usually taken from the microcomputer's VDD line via an enabling switch.

4.2 MECHANISM OPERATION

1) Elevation Operation

The microcomputer determines the present elevation position from the voltage value (EPVO) obtained from the potential divider VR801.

The voltage of the position of the requested disk is calculated from figure 16 and the ELV Motor is controlled so that the EPVO voltage is matched to the value obtained from the calculation.

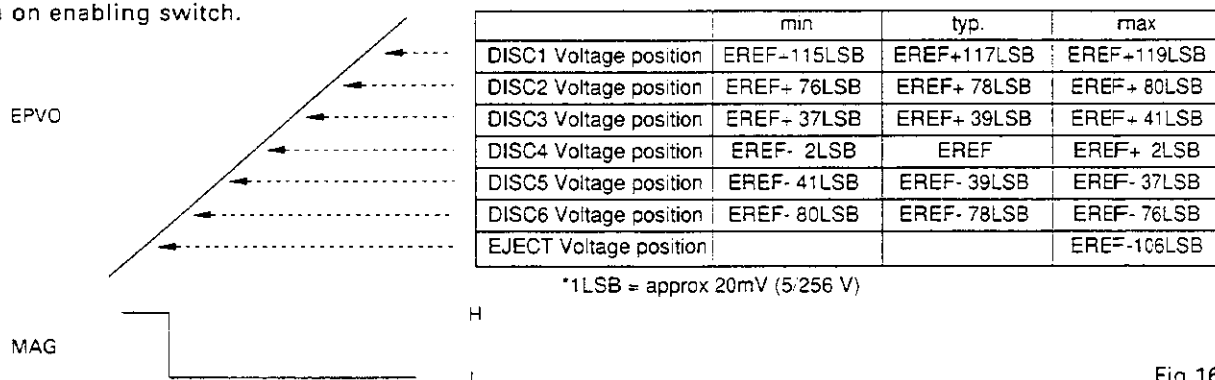


Fig.16

2) Tray Extension and Retraction

The microcomputer detects tray retraction, tray extension and clamp completion by the MSW signal waveform (voltage) created by potential division of the voltage DSP Switch and the voltage TRP Switch and controls the Tray Motor.

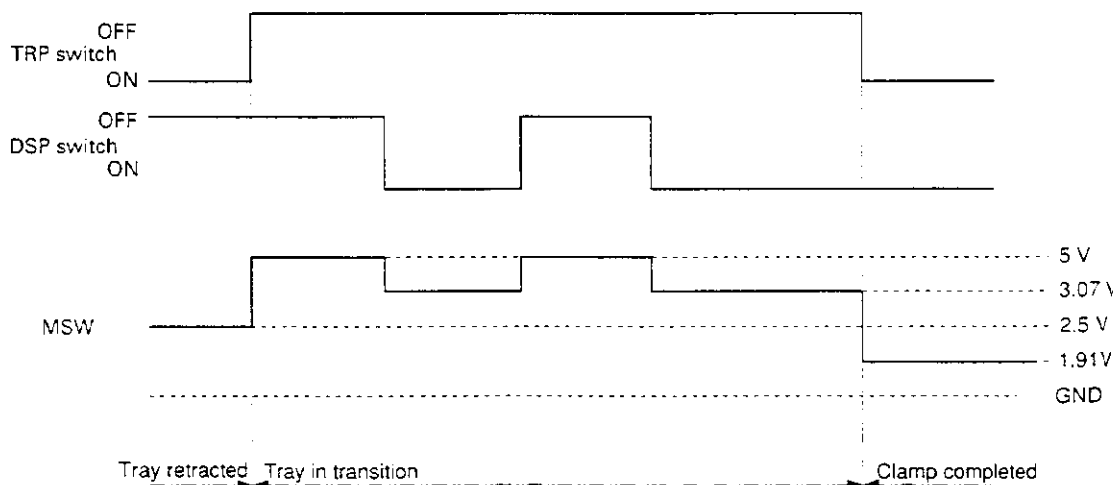


Fig.17

3) 0.6mm UP/DOWN Operation

In order to secure clearance with the neighboring disk the Stage Mechanism is driven down by the ELV Motor (M852) when clamping is complete. The microcomputer detects the completion of clamping, and when the Tray Motor is brought to a full stop, the ELV Motor (M852) is forcibly driven for a 240 ms interval in the downward direction.

When the tray is being retracted, the ELV Motor (M852) is controlled to match the value of EPVO calculated during the elevation operation. The tray retraction operation is started when the Tray has been moved to the prescribed position.

Each motor is driven by the driver IC302(LB1836M). LB1836M is an IC which usually operates through the combination of H and L of the 4 lines I1, I2, I3 and I4. With this system, I1=I3 and control is realized through a combination of H and L of the 3 lines I1, I2 and I4.

ELV Motor	Tray Motor	I1, 3	I2	I4
Forward	Brake	H	H	L
Reverse	Stand-by	L	L	H
Brake	Forward	H	L	H
Stand-by	Reverse	L	H	L
Brake	Brake	H	H	H
Stand-by	Stand-by	L	L	L

* ELV Motor Forward : ELV-up (Disc No. Down)
 Tray Motor Forward : Tray Ejection

4) Disc Detection

The MSW signal is not only used for the timing of the disk extension and retraction motion but also for determining the existence and non-existence of a disk and the disk type (8cm or 12cm). The disk detection operations are carried out while the Tray is being pulled out of the magazine. Disk detection is determined when the light passes through (DISC waveform L:less than 1.5V) or is interrupted (DISC waveform H:1.5V or above) with an array of LEDs and photo transistors above and below the Tray.

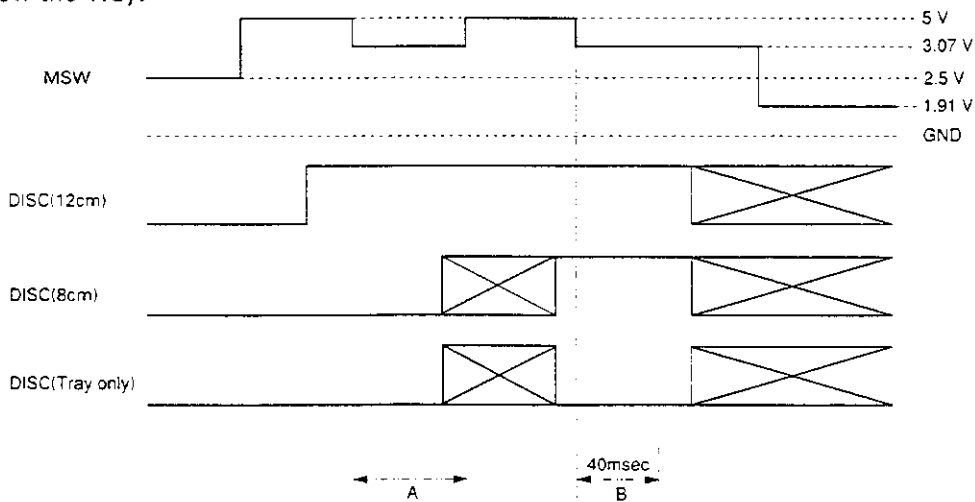


Fig.18

The DISC waveform is continuously monitored within the intervals A and B above and if a L is detected even once, that interval is determined as L. If a L is not detected at all then that interval is determined as H in the following.

	A	B
12cm	H	H
8cm	L	H
No Disk	—	L

4.3 PRE-AMP SECTION (UPC2572GS: IC101)

This section processes the pickup output signals to create the signals for the servo, demodulator & control.

The pickup output signals are I-V converted by the pre-amp with built in photo-detector in the pickup, and added by the RF amp (IC101) to obtain the RF, FE, TE, TE zero cross, and other signals.

The main component is the UPC2572GS and each section is explained below. Because this system has a single power supply (+5V), the reference voltage for this IC, the PU and the servo circuit is the voltage REFO (+2.5V). The REFO signal is obtained by buffering REFOUT from the servo LSI (IC201: UPD63702GF) and is available from Pin 19 of IC101. All measurements should be done using this REFO as reference.

Note: During measurement, do not short REFO and GND.

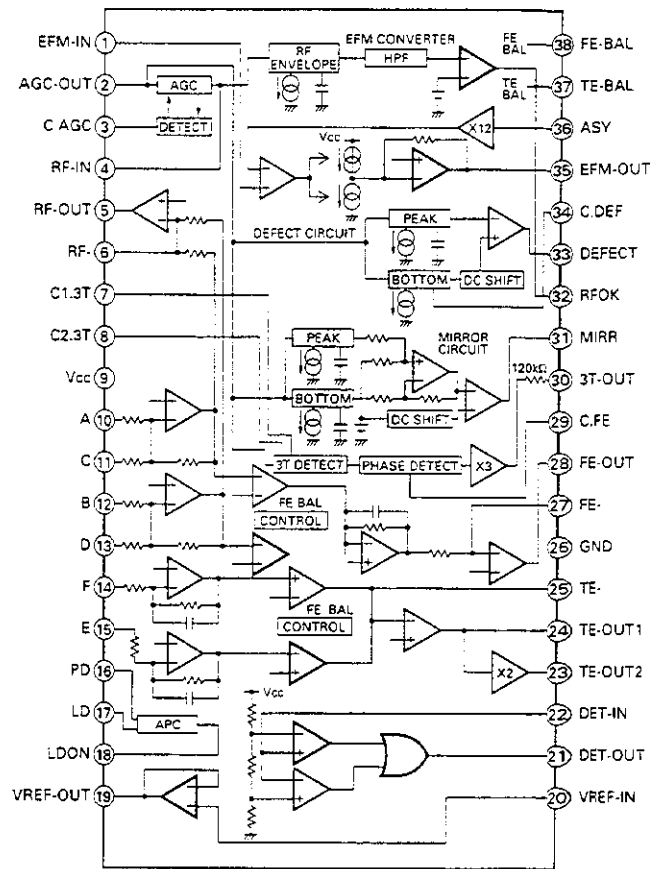


Fig.19 : UPC2572GS BLOCK DIAGRAM

1) APC Circuit (Automatic Power Control)

When the laser diode is driven with constant current, the optical output has large negative temperature characteristics. So the current must be controlled to hold the output constant with the monitor diode. The circuit that carries out this function is the APC circuit. The LD current is obtained by measuring the voltage between LD1 and ground and the value of this current is about 35mA.

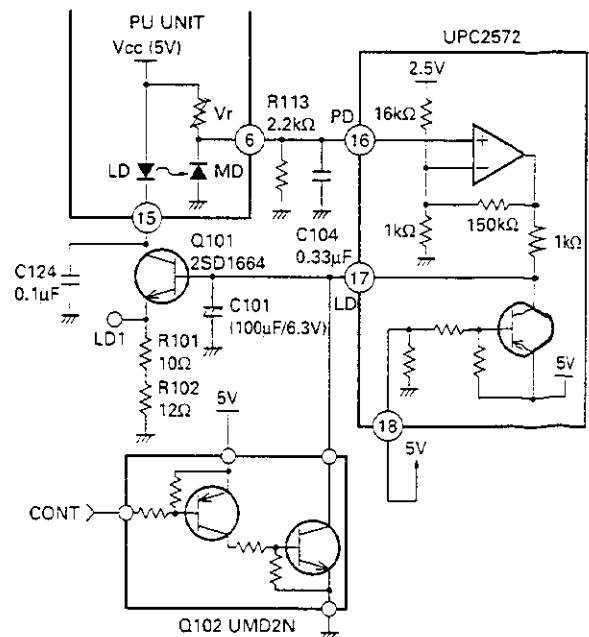


Fig.20 : APC CIRCUIT

2) RF Amp, RF AGC Amp

The photo-detector outputs (A+C) and (B+D) are added, amplified, and equalized in IC101 and output to the RFI pin. (The eye pattern can be checked at this pin.)

The RFI voltage low-frequency component is:

$$RFI = (A+B+C+D) \times 3.22$$

R111 is the offset resistor for holding the RFI signal in the pre-amp's output range. The RFI signal is AC coupled and input to Pin 4 (RFIN pin).

This IC contains an RF AGC circuit, which holds the RFO output at Pin 2 at a fixed level ($1.2 \pm 0.2Vp-p$). This RFO signal is used in the EFM, DFCT, and MIRR circuits.

3) EFM Circuit

This circuit, "squares" up the analog RF signal into a digital EFM signal. In order to ensure minimum errors it is necessary to use a feedback circuit to match the DC level of the threshold to the center of the RF waveform.

This circuit uses the fact that the EFM signal should have no DC component. By feeding back the EFM signal's DC level the threshold level changes until the DC level is zero and the threshold, by definition, is at the exact center of the RFO waveform. The filtering in the feedback has been adjusted to ensure minimum error. The EFM signal is output from Pin 35. The signal is a 2.5Vp-p amplitude signal centering on REFO.

4) DFCT (Defect) Circuit

The DFCT circuit detects defects on the disc surface, and outputs a "H" signal from Pin 33.

If there is dirt on the disc, drop outs may appear. The DFCT signal output is input to the servo LSI HOLD pin and the focus and tracking servo drives are held while the DFCT output is "H" in order to improve playability.

5) RFOK Circuit

This circuit produces the signal indicating the focus close state during play and the timing for closing the focus servo. This signal is output from Pin 32. This RFOK signal output is input to the servo LSI RFOK pin and the focus close command is issued by the servo LSI. This signal is high during play when the focus is closed.

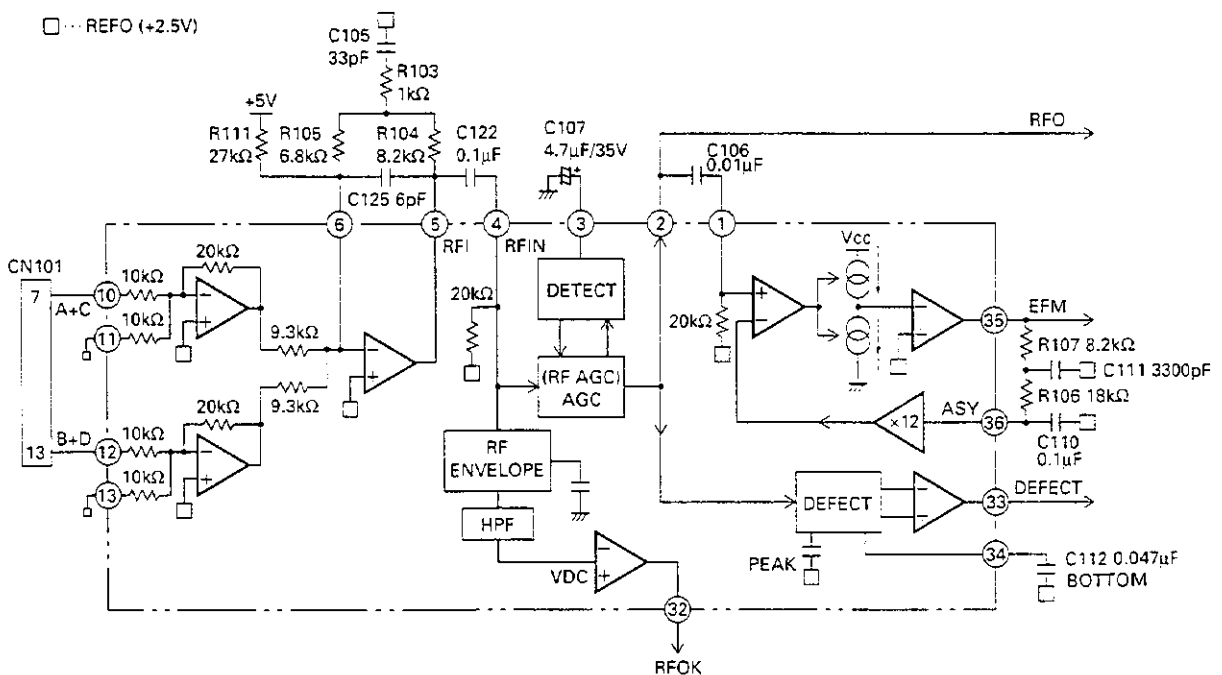


Fig.21 : RF AMP, RF AGC, EFM, DFCT, RFOK CIRCUIT

6) Focus Error Amp

The photo-detector outputs (A+C) and (B+D) are passed through a differential amp, and an error amp and (A+C-B-D) is output from Pin 28 as the FE signal. The FEY voltage low-frequency component is:

$$FEY = (A+C-B-D) \times \frac{20k}{10k} \times \frac{90k}{68.8k} \times \frac{R108}{17.2k}$$

: (PU FE level × 5.02)

An S curve of about 1.6Vp-p is obtained with REFO as the reference. The final-stage amp cutoff frequency is 12.4kHz.

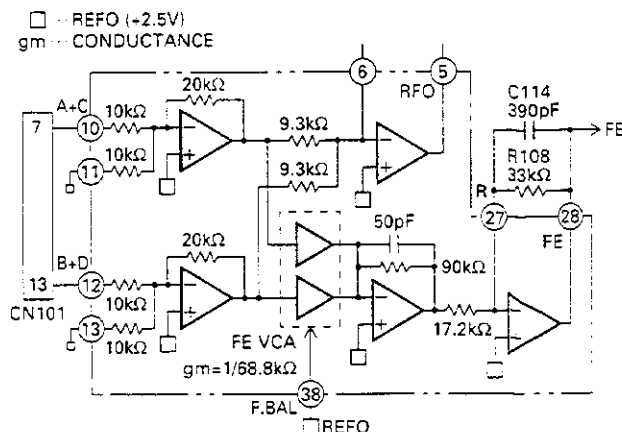


Fig.22 : FOCUS ERROR AMPLIFIER

7) Tracking Error Amp

The photo-detector E and F outputs are passed through a differential amp and an error amp and (E-F) is output from Pin 24 as the TE signal.

The TEY voltage low-frequency component is:

$$TEY = (E-F) \times \frac{63k}{(31k + 16k)} \times \frac{R109}{17k}$$

: (PU TE output level × 5.36)

The TE waveform of about 1.5Vp-p with REFO as the reference is obtained as the TE output (Pin 24). The final-stage amp cutoff frequency is 19.5kHz.

8) Tracking Zero Crossing Amp

The tracking zero crossing signal (below, TEC signal) is the TE waveform (Pin 24 voltage) amplified four times and is used to find the zero crossing points of the tracking error with the UPD63702GF servo LSI. This zero crossing point is found for the following two reasons.

- (1) To count tracks for carriage moves and track jumps
- (2) To detect the direction in which the lens is moving for tracking closing (This is used in the tracking brake circuit, described Page 20 b.)

The TEC signal frequency range is 500Hz - 19.5kHz.

$$TEC \text{ voltage} = TE \text{ level} \times 4$$

In other words, the TEC signal level is calculated at 6Vp-p. This level exceeds the op-amp's output range and the signal is clipped, but this can be ignored because this signal is used by the servo LSI only at the zero crossing point.

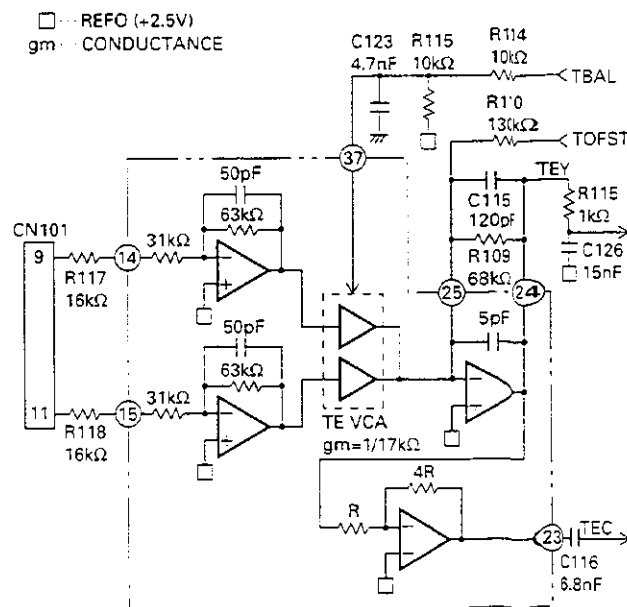


Fig.23 : TRACKING ERROR AMPLIFIER & TRACKING ZERO CROSSING AMPLIFIER

9) MIRR (Mirror) Circuit

The MIRR signal shows the on track and off track data and is output from Pin 31.

When the laser beam is

On track: MIRR = "L"

Off track: MIRR = "H"

This signal is used in the brake circuit, described Page 20.

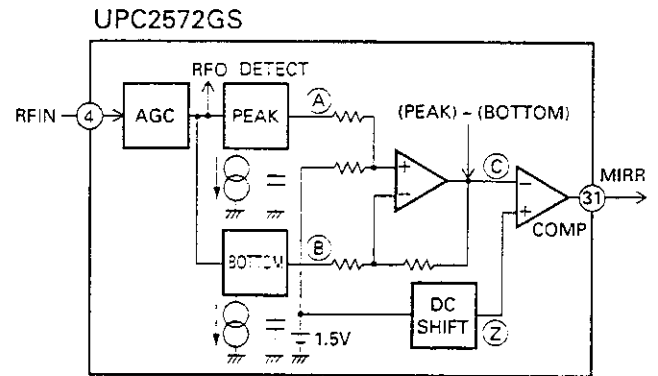


Fig.24 : MIRR CIRCUIT

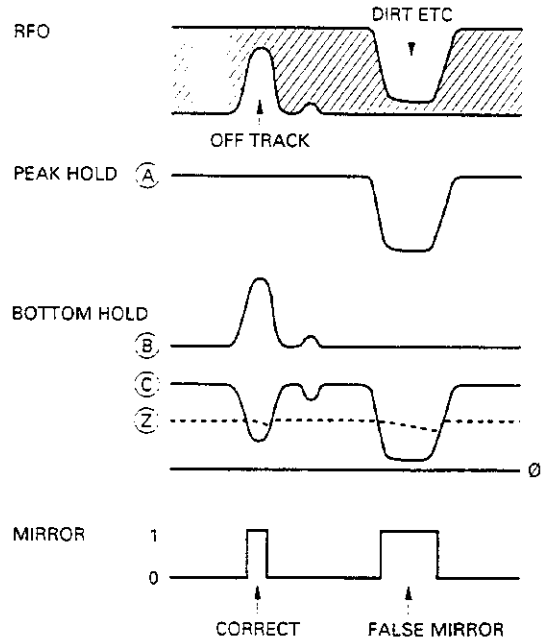


Fig.25 : MIRR CIRCUIT & SIGNAL DIAGRAM

10) 3TOUT Circuit

This circuit detects variations of the RF signal when an external interference is input into the focus servo loop and outputs the phase difference between the FE signal and the RF level variation signal from Pin 30. The signal has been passed through a low-pass filter ($f_c = 40\text{Hz}$). This signal is used for the FE bias automatic adjustment, described Page 23.

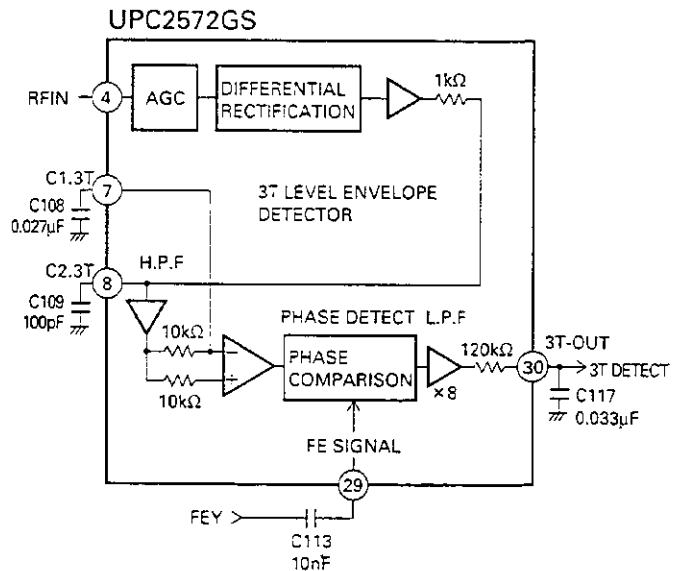


Fig.26 : 3T OUT CIRCUIT

4.4 SERVO SECTION (UPD63702GF: IC201)

This section can be divided into two parts.

One is the servo processing section, which handles such servo controls as error signal equalizing, in focus, track jump, and carriage move. The other is the signal processing section, which handles data decoding, error correction, and interpolation processing.

This IC converts the FE and TE signals from analog to digital and outputs the focus, tracking, and carriage drive signals via the servo block. Also, the EFM signal from the pre-amp is decoded in the signal processing section and finally output as audio signals after D/A conversion. (This IC has a built in audio digital-analog converter.) The decoding process also creates the spindle servo error signals, which is fed to the spindle servo block to create the spindle drive signal.

The focus, tracking, carriage, and spindle drive signals are then amplified by IC301, XLA6997FM and fed to their respective actuators and motors.

1) Focus Servo System

The main focus servo equalizer is in the UPD63702GF. Figure 27 is the focus servo block diagram.

In the focus servo system, the lens must be brought within the in-focus range for focus closing. Therefore, the lens is raised and lowered according to the triangular focus search voltage to find the focus point. During this time the spindle motor is kicked and kept rotating at a set speed.

The servo LSI monitors the FE signal and the RFOK signal and automatically carries out the focus close operation at the appropriate point.

Focus closing is carried out when the following four conditions are all met.

- (1) The lens is moving from far to near toward the disc surface.
- (2) RFOK = H
- (3) The FZD signal (within the IC) is latched at high.
- (4) FE = 0 (REFO reference)

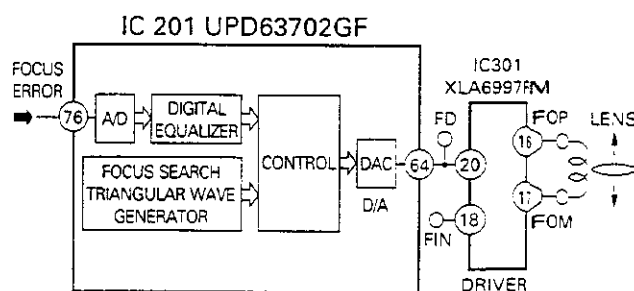


Fig.27 : FOCUS SERVO BLOCK DIAGRAM

When the above conditions are all met and the focus is closed, the XSO signal is shifted from high to low, then 40ms later, the microcomputer begins to monitor the RFOK signal that is passed through the low pass filter.

When the RFOK signal is judged to be low, the microcomputer carries out various actions such as protection.

Figure 28 shows the series of operations for focus closing (for the case where focus cannot be closed.) Also, in focus-mode-selection during test mode when the display is 01, if the focus close button is pressed, the S curve, search voltage, and actual lens movements can be checked.

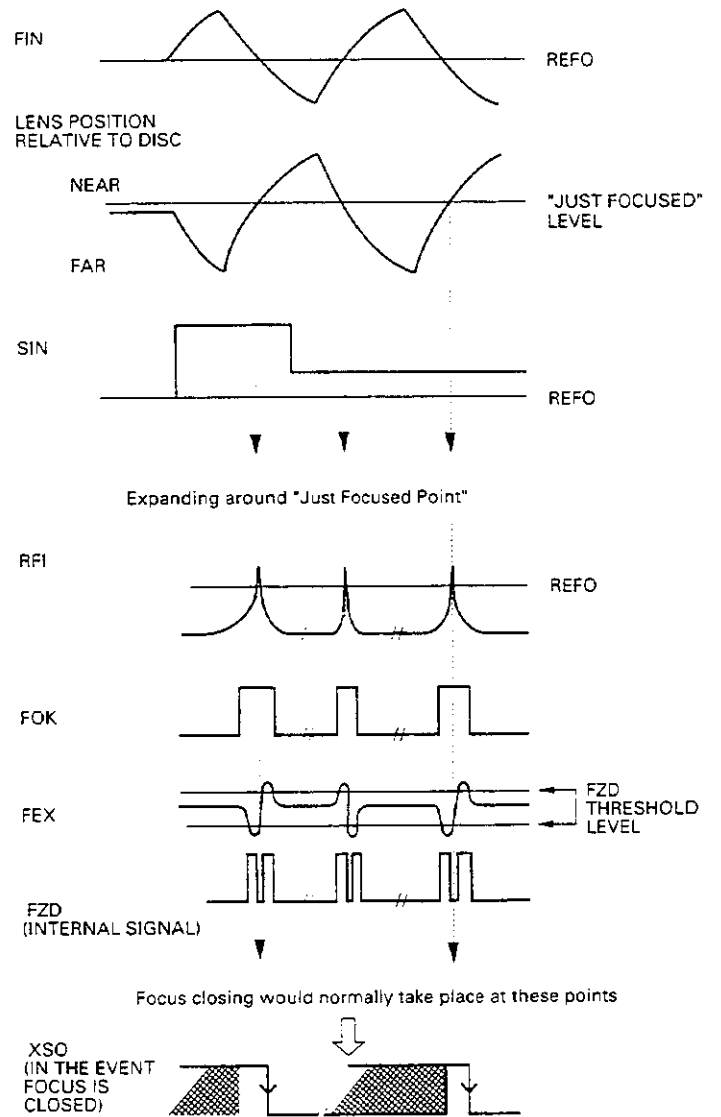


Fig.28: FOCUS CLOSING SEQUENCE

2) Tracking Servo System

The main tracking servo equalizer is in the UPD63702GF. Figure 29 is the tracking servo block diagram.

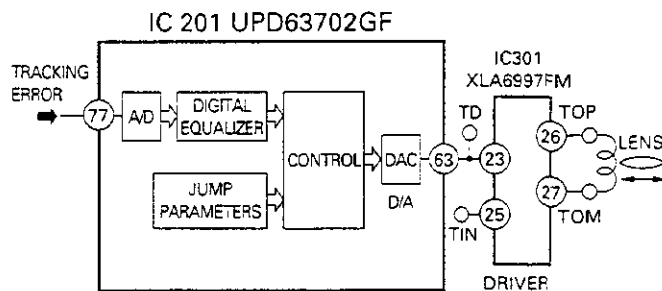


Fig.29 : TRACKING SERVO BLOCK DIAGRAM

a) Track Jump

When the LSI receives the track jump command from the microcomputer, the track jump is carried out automatically by the auto sequence function within the LSI. This system has six types of track jumps used for searches: 1, 4, 10, 32, 32 x 2, and 32 x 3. In test mode, in addition to these jumps, CRG moves can be executed and checked by mode selection. For track jumps, the microcomputer sets half of the total number of jumps (2 tracks for a 4 track jump) and counts the set number of tracks using the TEC signals. From the point when it has counted the set number of tracks, it outputs the brake pulse for a fixed period of time (set by the microcomputer) to stop the lens. In this way, it can close the tracking and continue normal play.

To improve the servo loop re-closing performance just after track jump, the brake circuit comes on for 60ms after the end of the brake pulse and the tracking servo gain is increased.

Fast forward and reverse operations in normal mode are realized by executing consecutive single track jumps. The speed is about 10 times as high as in normal play.

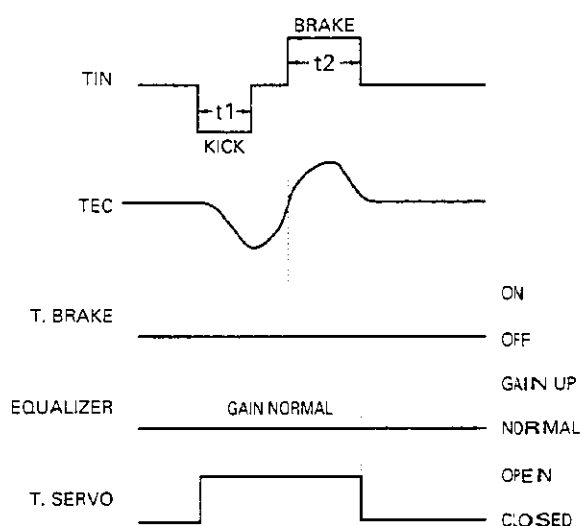


Fig.30 : SINGLE TRACK JUMP

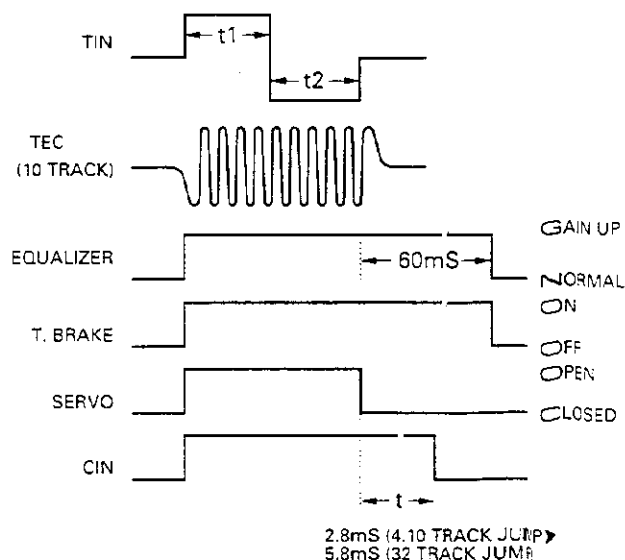
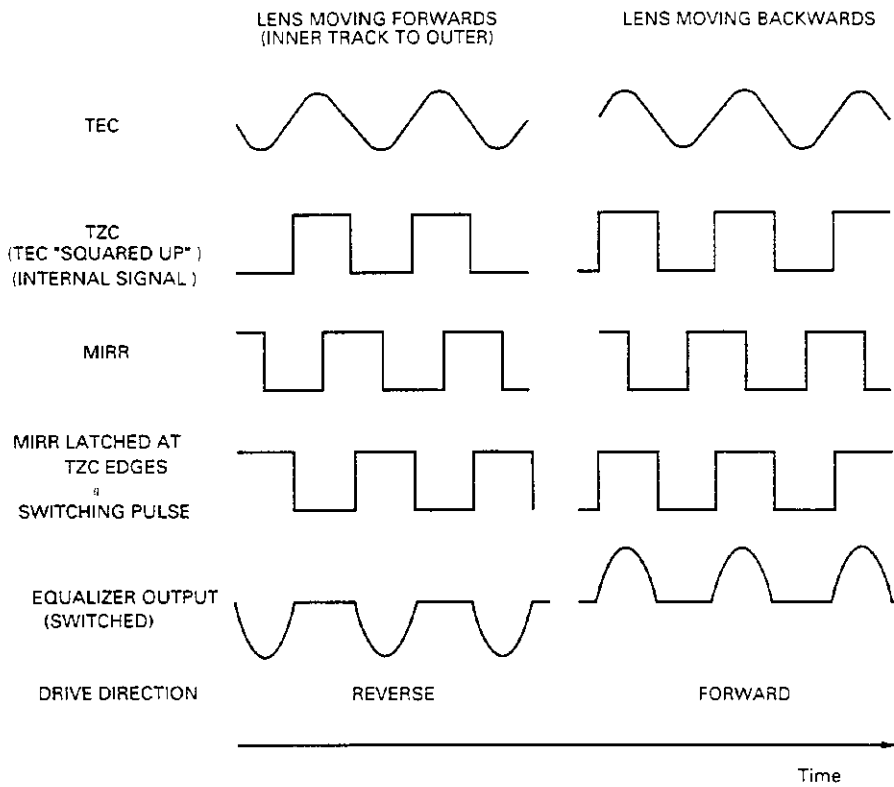


Fig.31 : MULTI-TRACK JUMP

b) Brake Circuit

This relies on determining which direction the lens is moving and only outputting the portion of the drive waveform which acts to oppose this motion. Direction of motion is deduced from TEC and the MIRR signal and knowledge of their phase relation.



Note: Equalizer output assumed to have same phase as TEC.

Fig.32 : TRACKING BRAKE CIRCUIT

3) Carriage Servo System

The carriage servo supplies the tracking equalizer's low-frequency component (lens position information) output to the carriage equalizer and after applying a fixed amount of gain, outputs the drive signal from the servo LSI. This signal is applied to the carriage motor through the driver IC.

When the lens offset reaches a certain level during play, the entire PU must be moved in the forward direction. Therefore, the equalizer gain is adjusted to output a voltage higher than the carriage motor starting voltage. In actual operations, a certain threshold level is set for the equalizer output within the servo LSI and the drive voltage is output from the servo LSI only when the equalizer output level exceeds that threshold level. This reduces power consumption. Also, due to disc eccentricity and other factors, the equalizer output voltage may cross the threshold level a number of times before the entire PU starts to move. In this case, the drive voltage waveform, (which is applied) from the LSI, becomes pulsative.

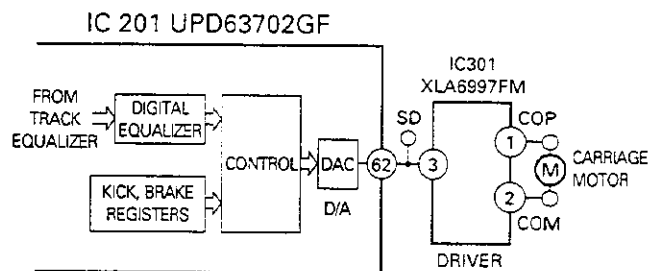


Fig.33 : CARRIAGE SERVO CIRCUIT

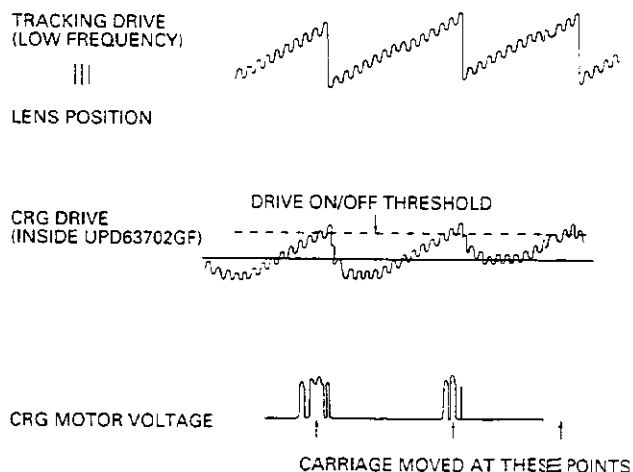


Fig.34 : CARRIAGE WAVEFORM

4) Spindle Servo System

The spindle servo has the following modes.

- (1) Kick: The mode used for disc rotation acceleration during setup
- (2) Offset:
 - a) Used during setup from the end of kick until the AGC end
 - b) Used during play when the focus is unlocked until it is recovered

Both of these are for holding the disc rotation rate near the normal rotation rate.

- (3) Adaptive servo: CLV servo mode for normal operation

In the EFM demodulation block, the frame sync signal and internal frame counter output signal are sampled each WFCK/16 and a signal is produced indicating whether or not they match. Only after this signal is in non-match mode eight consecutive times, is the system treated as out of sync, at other times it is treated as in sync. In this adaptive servo mode, a servo mode for pulling the system into sync is automatically selected when the system is out of sync and the regular servo is automatically selected when the system is in sync.

- (4) Brake: The mode for stopping the spindle motor rotation

The brake voltage is output by the microcomputer from the servo LSI. At this time, the EFM wave form is monitored within the LSI and if the longest EFM pattern exceeds a certain interval (when the rotation is slow enough), a flag is registered within the LSI and the microcomputer switches the brake voltage off. If the flag is not registered within a certain period of time, the microcomputer switches from brake mode to stop mode which lasts for a fixed period of time. In this case, ejection of the disc can only occur after this period of time.

- (5) Stop: The mode used during power on and ejection

At this time, the voltage across the spindle motor is 0V.

- (6) Rough servo: The mode used for carriage feed (carriage move during a long search)

The linear speed is calculated from the EFM wave form and a high level or low level is input to the spindle equalizer. In test mode, this mode is also used for the grating check.

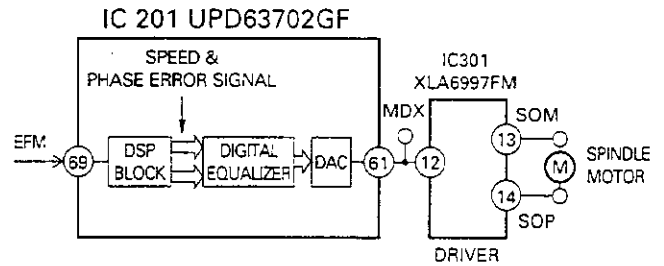


Fig.35 : SPINDLE SERVO BLOCK DIAGRAM

4.5 AUTOMATIC ADJUSTMENT FUNCTIONS

This system uses a pre-amp (UPD2572GS) and servo LSI (UPD63702GF) to automate all circuit adjustment. All adjustments are carried out automatically each time a disc is inserted or the CD mode is selected with the source key. Here is how each automatic adjustment works.

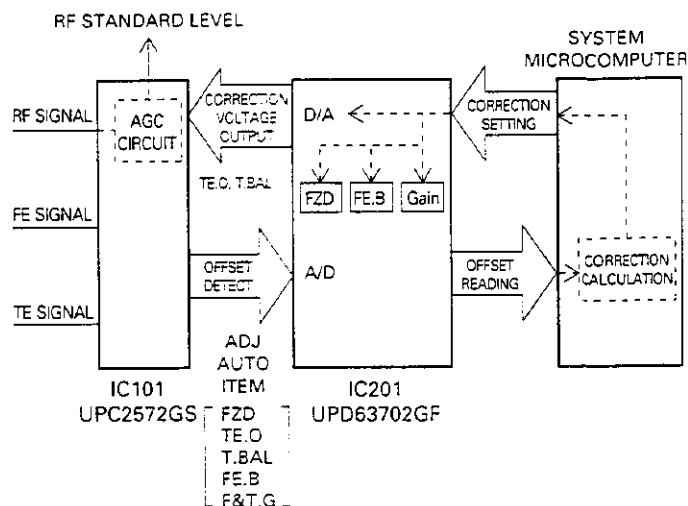


Fig.36 : AUTOMATIC GAIN CONTROL

1) FZD Cancel Setting

This setting is to make the focus closing reliable. When the power is switched on, the FE offset level is read and a voltage opposite to this offset value is written to the CRAM in the IC to cancel the offset. In this way, the FZD threshold level can be set to a constant value (+150mV) and one of the conditions within the IC for focus closing "that the FZD signal is latched at high" can be fulfilled reliably.

2) TE Offset Automatic Adjustment

This function adjusts the pre-amp TE amp offset to 0 V when the power is switched on.

The adjustment procedure is:

- (1) The TE offset (LD off) is read by the microcomputer via the servo LSI (offset = TE1).
- (2) The microcomputer calculates the voltage to be corrected from the value of TE1 and sets the output of Pin 65 of the servo LSI (signal name: TOFST). The concrete calculation method is as follows.

$$TOFST2 = TOFST1 + TE1 \times R110/R109$$

3) Tracking Balance Automatic Adjustment

This adjustment equalizes the difference in sensitivity of the E channel and F channel of the TE output. In actual practice, the TE waveform is adjusted to be vertically symmetrical about REFO.

The adjustment procedure is:

- (1) After focus closing, the lens is kicked in the radial direction to reliably generate the TE waveform.
- (2) At this time, the microcomputer reads the peak and bottom of the TE waveform through the servo

LSI.

- (3) The microcomputer calculates the value of the offset and the correction voltage to output from Pin 66 of the servo LSI (signal name: TBAL).
- (4) The voltage output from the servo LSI is input to Pin 37 of the pre-amp (IC101: UPC2572). This pin is the TEVCA amp control voltage pin. The gain for the E channel and F channel within the pre-amp is varied according to the input voltage to adjust the tracking balance and make the TE waveform vertically symmetrical about REFO.

4) FE Bias Automatic Adjustment

This adjustment is made to maximize the RFI level during play by optimizing the focus point. This adjustment utilizes the phase difference between the RF waveform 3T level signal and the focus error signal. Since an external interference is input into the focus loop, this adjustment uses the same timing as the auto gain control, explained below.

The adjustment procedure is:

- (1) External interference is injected into the focus loop by command from the microcomputer (within the servo LSI).
- (2) The RF signal 3T component level variation is detected within the pre-amp.
- (3) The phase difference between the FE signal due to external interference input and the above 3T component is detected, to sense the focus deviation direction, and the result is output as an ADC voltage from Pin 30 (3T-OUT) of the pre-amp.

- (4) The 3T-OUT voltage is input to Pin 75 (A/D port) of the servo LSI and the microcomputer reads the 3T-OUT voltage through the servo LSI.
- (5) The microcomputer calculates the required correction and adjusts the focus loop offset in the servo LSI.

In the same manner as the auto gain control, this adjustment is repeated a number of times to raise the adjustment precision.

5) Auto Gain Control (AGC)

This adjustment has already been used in the previous generation of CD modules. This function automatically adjusts the focus and tracking servo loop gain.

The adjustment procedure is:

- (1) External interference is injected into the servo loop.
- (2) The error signals (FE, TE) when the external interference is injected are passed through a band pass filter and the G1 and G2 signals are obtained.
- (3) The microcomputer reads the G1 and G2 signals through the servo LSI.
- (4) The microcomputer calculates the required correction and adjusts the loop gain within the servo LSI.

To raise the adjustment precision, the same adjustment procedure is repeated a number of times.

6) Initial Adjustment Values

All the automatic adjustments use the previous adjustment value as the initial value as long as the microcomputer power supply is not cut off (the backup is not cut off). If the backup is cut off, automatic adjustment does not start from the previous adjustment value, but rather from the default setting.

7) The Coefficient Display for Adjustment Result

The results of all automatic adjustments can be displayed and checked in test mode.

The coefficient displays for each automatic adjustment are as follows.

- (1) FZD cancel, TE.OFST cancel, T.BAL, FE.bias
Reference value = 32 (A coefficient of 32 indicates that no adjustment was necessary).
The display is in units of about 40mV.
Example: FZD cancel coefficient = 35
 $35-32 = 3 \quad 3 \times 40\text{mV} = 120\text{mV}$
Since the corrected value is approximately + 120mV, the FE offset before adjustment was - 120mV.
- (2) Focus and tracking gain adjustment
Reference value: Focus = 13, tracking = 20
The coefficient display shows the gain decrease relative to the reference value.
Example: AGC coefficient = 40
 $\text{Gain} = 20\log (20/40) = - 6\text{dB}$