

Service Manual

PIONEER®

**ORDER NO.
ARP-581-0**

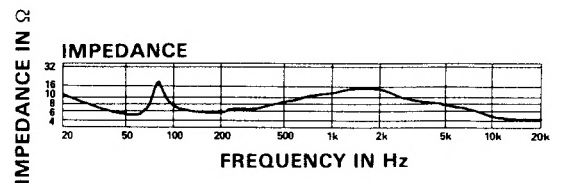
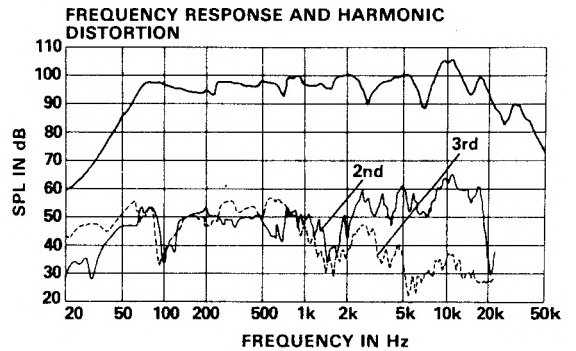
SPEAKER SYSTEM

CS-705 G, E, US

SPECIFICATIONS

- Enclosure Book-shelf style, Bass-reflex type
- System 4 way, 4 speaker system
- Speakers
 - Woofer 40 cm (16 in) cone type
 - Mid Range 12 cm (4-3/4 in) cone type
 - Tweeter Hone type
 - Super Tweeter Horn-loaded Ribon type
- Accessory Power Indicator
 - LED—green x 5, red x 1 (over load)
 - yellow x 2 (E.B.D.)
 - Tone Selector
 - NORMAL—SOFT—CRISP
- Impedance 8 ohms
- Frequency Range 20 Hz to 40,000 Hz
- Sensitivity 98 dB/W (at 1-meter distance)
- Maximum Music Power 200 W
- Rated Power 70 W
- Crossover Frequency 1,500 Hz, 5,000 Hz, 8,000 Hz
- External Dimensions 450(W) x 710(H) x 259(D) mm
17-11/16(W) x 27-15/16(H) x 10-3/16(D) in
- Weight 21 kg/44 lb 1 oz
- Accessory Parts Operating Guide x 1
Speaker Cords x 1

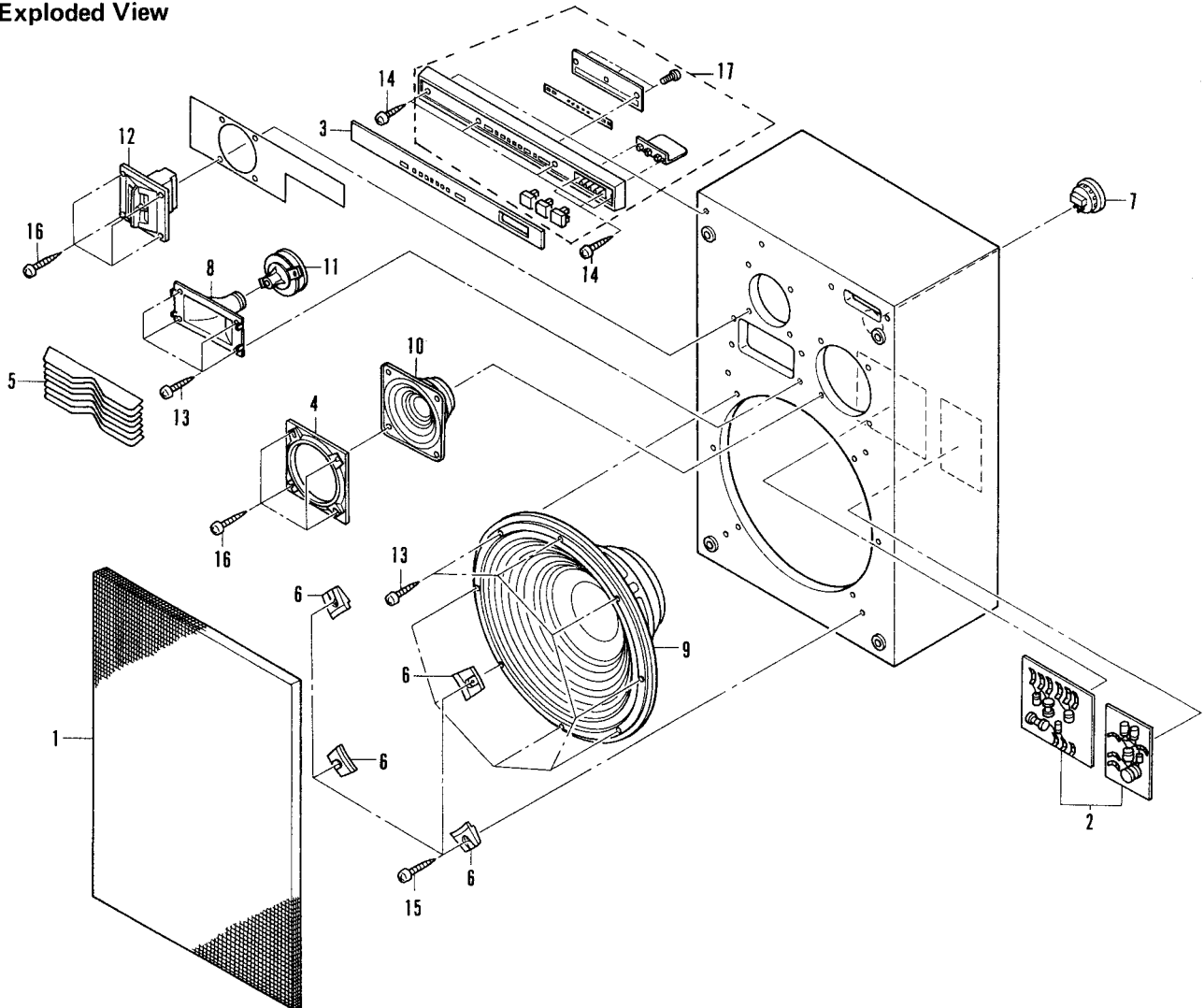
NOTE:
Specifications and design subject to possible modification without notice, due to improvements.



PIONEER ELECTRONIC CORPORATION 4-1, Meguro 1-Chome, Meguro-ku, Tokyo 153, Japan
PIONEER ELECTRONICS (USA) INC. P.O. Box 1760, Long Beach, California 90801 U.S.A.
 TEL: (800) 421-1404, (800) 237-0424
PIONEER ELECTRONIC (EUROPE) N.V. Keetbergplein 1, 2740 Beveren, Belgium TEL: 03/775-28-08
PIONEER ELECTRONICS AUSTRALIA PTY. LTD. 178-184 Boundary Road, Braeside, Victoria 3195, Australia
 TEL: (03) 580-9911

EXPLODED VIEW AND PARTS LIST

Exploded View



NOTES:

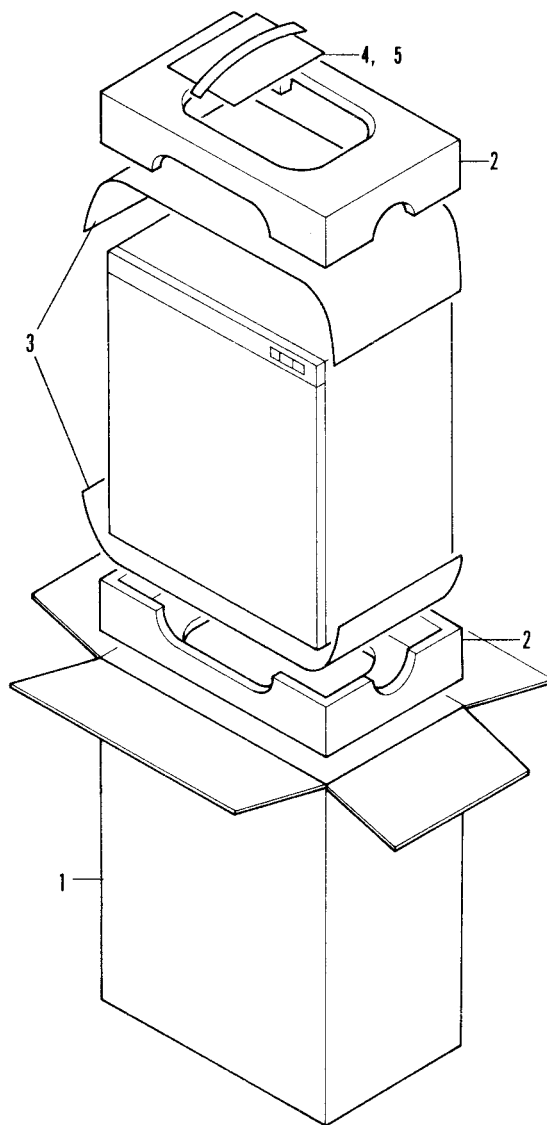
- Parts without part number cannot be supplied.
 - For your Parts Stock Control, the fast moving items are indicated with the marks ★★ and ★. ★★ GENERALLY MOVES FASTER THAN ★.
- This classification shall be adjusted by each distributor because it depends on model number, temperature, humidity, etc.*

Parts List

Mark	No.	Part No.	Description	Mark	No.	Part No.	Description
	1.	SMG-333	Grille	★★	11.	PD-009A-3	Driver
	2.	SWN-442	Network assembly	★★	12.	PT-R20A	Super tweeter
	3.	SAX-312	Panel		13.	SBA-122	Bind twin screw
	4.	SNK-781	Flange		14.	RWC38P320FMC	Screw
	5.	SNK-782	Defuser		15.	SBA-145	Bind twin screw
	6.	SNK-783	Cushion		16.	SBA-180	Bind twin screw
	7.	SKX-012	Input terminal plate		17.	SWX-102	Power indicator assembly
	8.	SFH-025	Horn				
★★	9.	40-808A	Woofer				
★★	10.	12-736A	Mid-range				

PACKING VIEW AND PARTS LIST

Packing View



Parts List

Mark	No.	Part No.	Description
1.		SHG-725	Packing case (G type)
		SHG-776	Packing case (E type)
		SHG-777	Packing case (US type)
2.		SHA-556	Protector
3.		SHC-430	Cover
4.		KDD-012	Speaker cord
5.		SRB-392	Instruction manual