

Service Manual

 PIONEER®



SPEAKER SYSTEM

CS-922A /G,E

CS-822A /G,E

CS-722A /G,E

PIONEER ELECTRONIC CORPORATION 4-1, Meguro 1-Chome, Meguro-ku, Tokyo 153, Japan
U.S. PIONEER ELECTRONICS CORPORATION 85 Oxford Drive, Moonachie, New Jersey 07074, U.S.A.
PIONEER ELECTRONIC (EUROPE) N.V. Luthagen-Haven 9, 2030 Antwerp, Belgium
PIONEER ELECTRONICS AUSTRALIA PTY. LTD. 176-184 Boundary Road, Braeside, Victoria 3185, Australia

<ART-445-0>

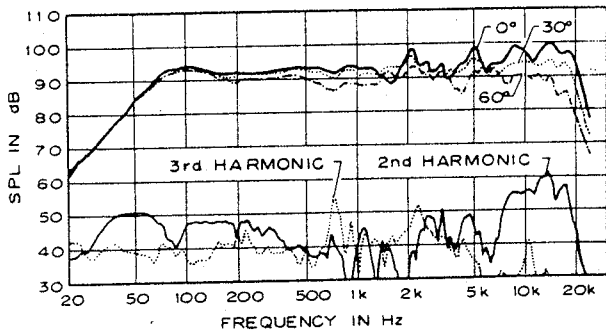
Y © JAN. 1979 Printed in Japan

CS-722A/G, E

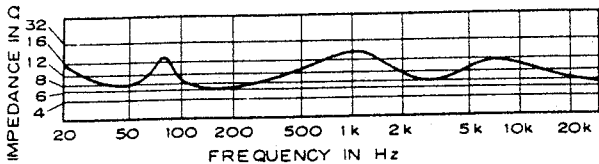
- Enclosure Book-shelf style, Bass-reflex type
- System 3-way 3-speaker system
- Loudspeakers
 - Woofers 30cm (13in) cone type
 - Mid-range 12cm (5-1/8in) cone type
 - Tweeter 40x7.7cm (16x3-1/8in) horn type
- Nominal Impedance 8 ohms
- Frequency Range 25 to 22,000Hz
- Sensitivity 97dB/W at 1-meter distance
- Maximum Input Power 120W
- Rated Input Power 60W
- Crossover Frequency 1,000Hz, 3,000Hz
- Subfunction
 - Power Indicators LED: green x 4
red x 1 (over load)
- External Dimensions 410(W)x646(H)x280(D)mm
16-1/8(W)x25-1/2(H)x11(D)in
- Weight 17 kg/37 lb 8 oz
- Accessory Parts Speaker cords x 1
Operating guide x 1

NOTE:
Specifications and design subject to possible modification without notice due to improvements.

FREQUENCY RESPONSE & HARMONIC DISTORTION

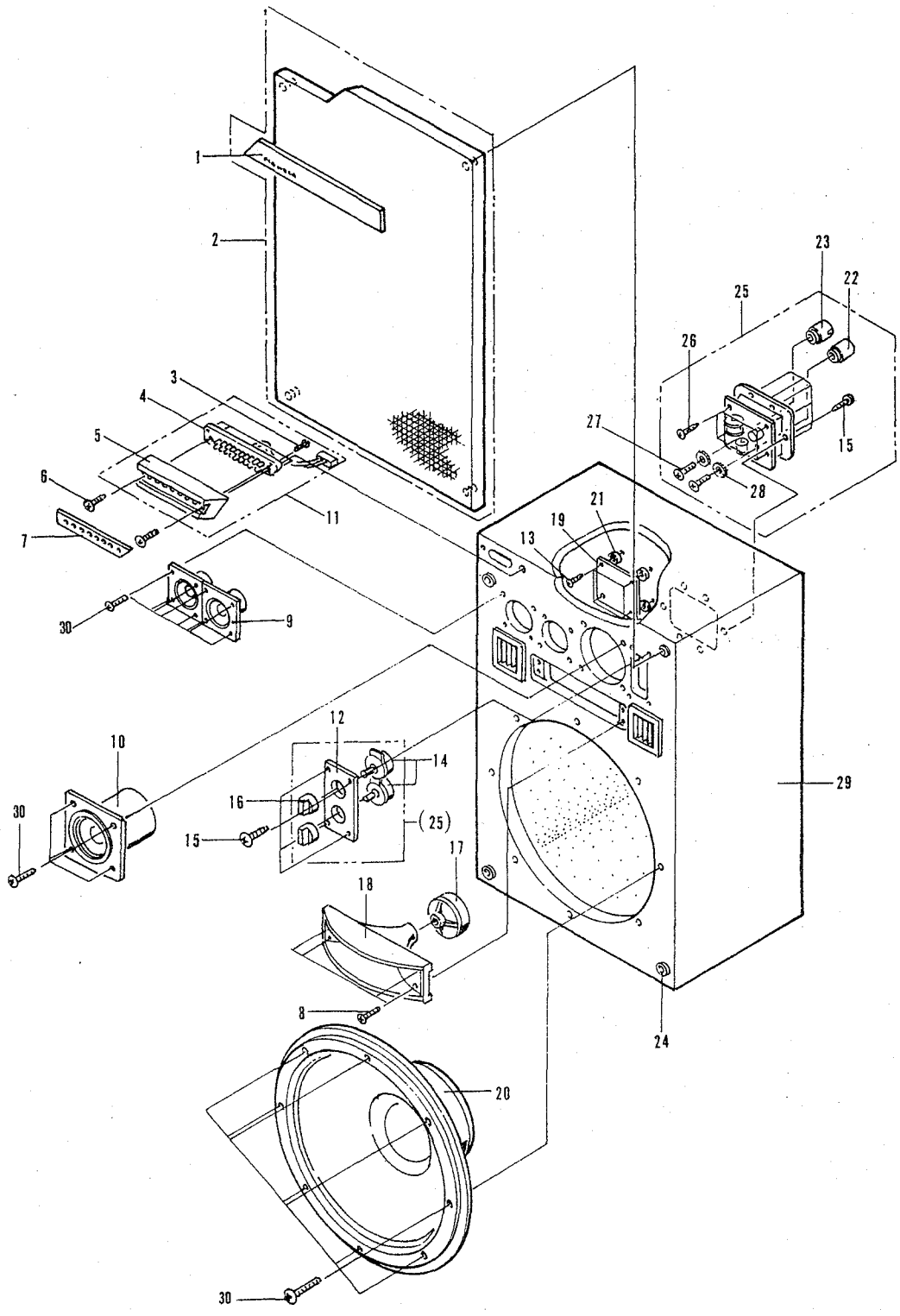


IMPEDANCE



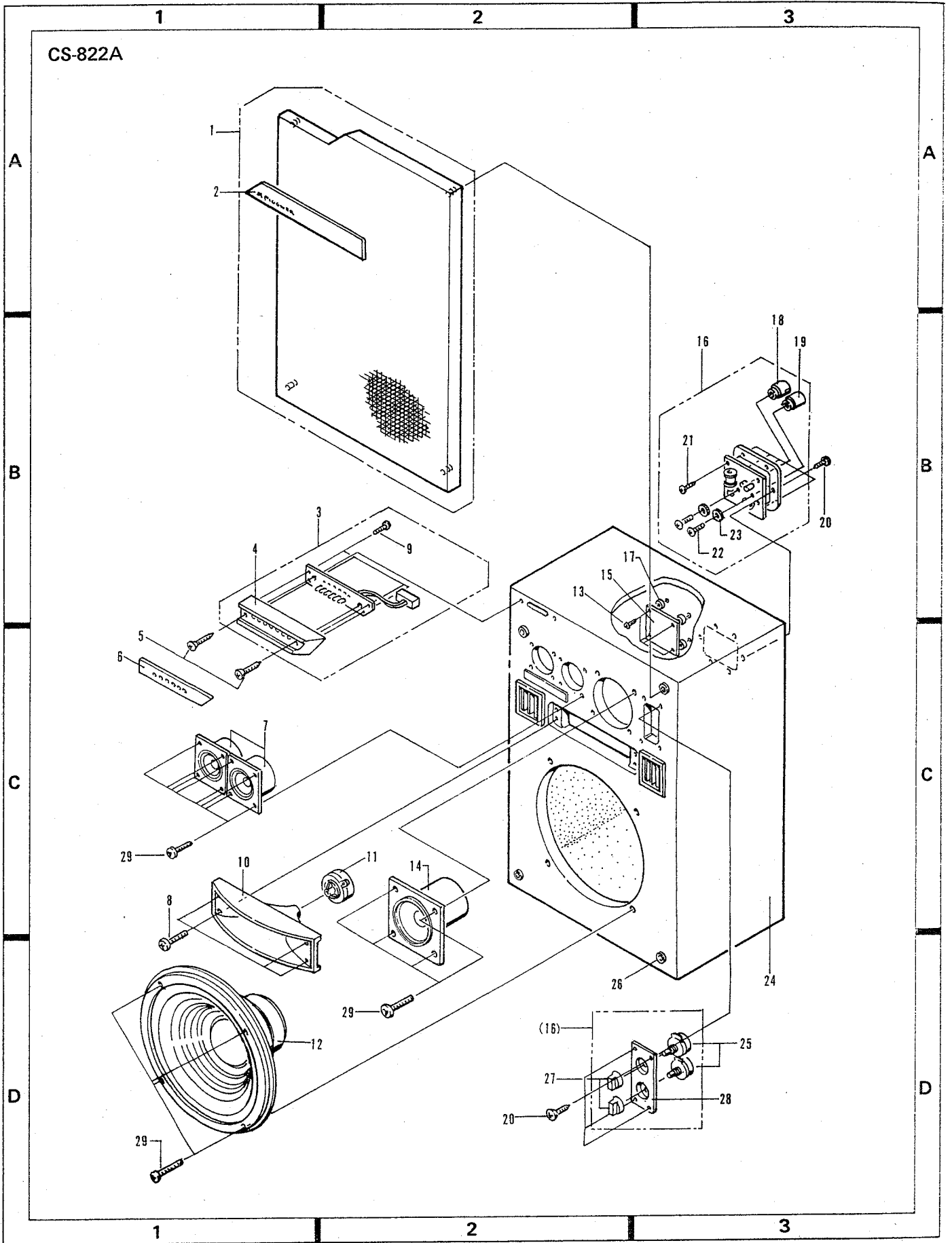
2. EXPLODED VIEW

CS-922A



1 2 3

A
B
C
D



CS-722A

1

2

3

A

A

B

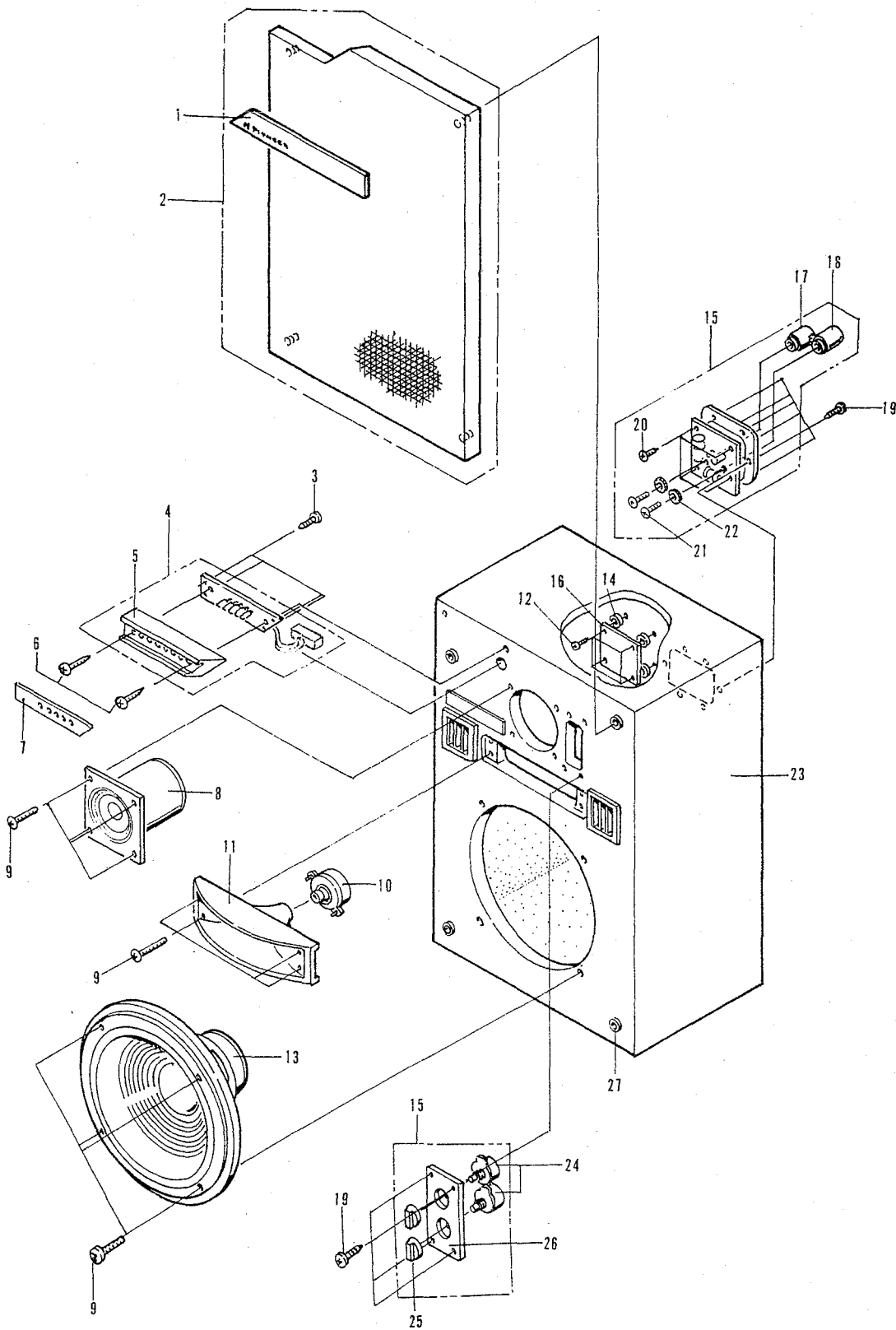
B

C

C

D

D



1

2

3

CS-922A/G,E

Parts List of Exploded View

NOTE:

• *Parts without part number cannot be supplied.*

Key No.	Part No.	Description
1.		Badge
2.	SMG-217	Net assembly
3.		TT2.6x10
4.		P.C board
5.		Escutcheon
6.		CW3.8x38
7.	SAX-162	Panel
8.	SBA-061	Screw
9.	66-715A	Tweeter
10.	12-724A	Mid range
11.	SWX-057	Power indicator assembly
12.	SAX-117	Level control holder
13.		OCW4.1x20
14.	SCS-025	Attenuator
15.		OCW3.1x16 (black)

Key No.	Part No.	Description
16.	SAA-009	Knob
17.	PD-009A	Driver
18.	PH-012A	Horn
19.	SWX-060	Power indicator driver assembly
20.	40-804A	Woofers
21.	SEC-357	Spacer
22.	SKE-007	Terminal (black)
23.	SKE-008	Terminal (red)
24.		Catch assembly
25.	SWN-218	Network assembly
26.		TT3x8
27.		BM3x16
28.		OTW3
29.		Cabinet
30.		BT4x20 (black)

CS-822A/G,E

Parts List of Exploded View

Key No.	Part No.	Description
1.	SMG-218	Net assembly
2.		Badge
3.	SWX-058	Power indicator assembly
4.		Escutcheon
5.		CW3.8x38
6.	SAX-163	Panel
7.	66-715A	Tweeter
8.	SBA-061	Screw
9.		TT2.6x10
10.	PH-012A	Horn
11.	PD-009A	Driver
12.	30-748A	Woofers
13.		OCW4.1x20
14.	12-724A	Mid range

Key No.	Part No.	Description
15.	SWX-061	Power indicator driver assembly
16.	SWN-217	Network assembly
17.	SEC-357	Spacer
18.	SKE-008	Terminal (red)
19.	SKE-007	Terminal (black)
20.		OCW3.1x16 (black)
21.		TT3x8
22.		BM3x16
23.		OTW3
24.		Cabinet
25.	SCS-025	Attenuator
26.		Catch assembly
27.	SAA-009	Knob
28.	SAX-117	Level control holder
29.		BT4x20

CS-722A/G, E

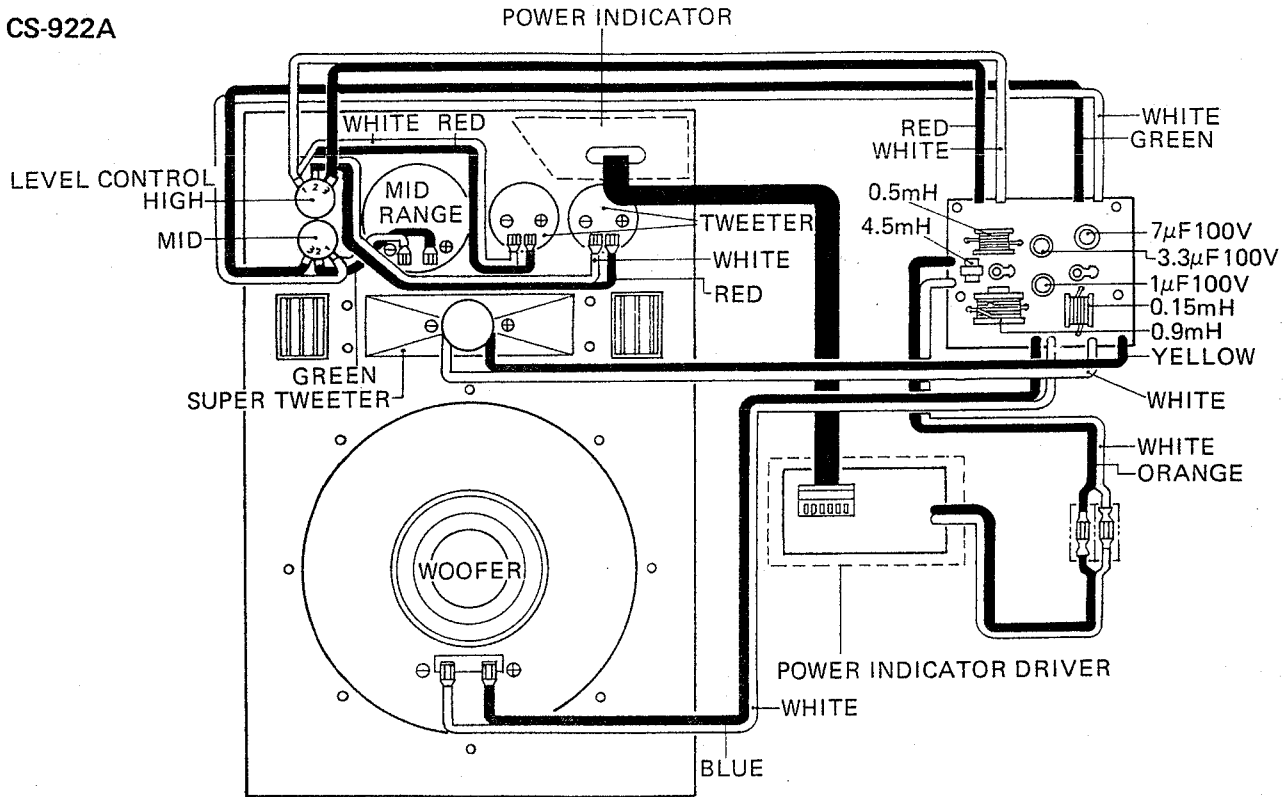
Parts List of Exploded View

Key No.	Part No.	Description
1.		Badge
2.	SMG-219	Net assembly
3.		TT 2.6x10
4.	SWX-059	Power indicator assembly
5.		Escutcheon
6.		CW3.8x38
7.	SAX-164	Panel
8.	12-724A	Mid range
9.	SBA-061	Screw
10.	PD-009A	Driver
11.	PH-012A	Horn
12.		OCW4.1x20
13.	30-748A	Woofers
14.	SEC-357	Spacer

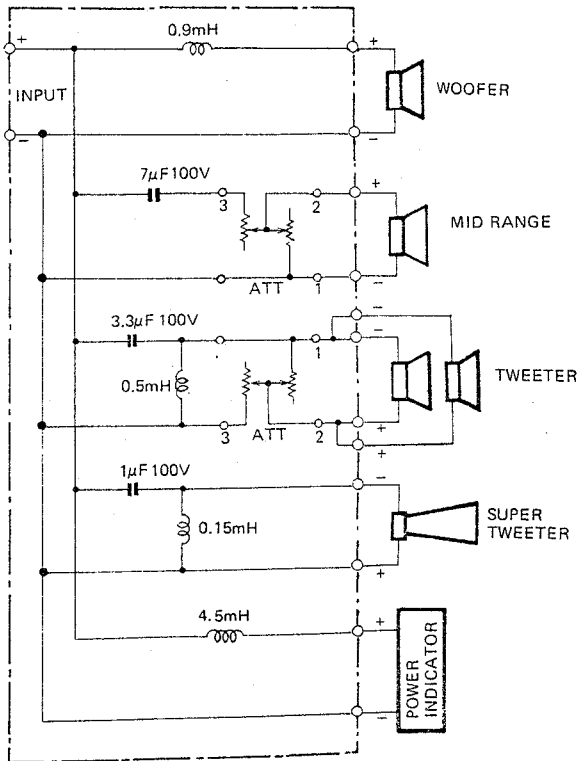
Key No.	Part No.	Description
15.	SWN-216	Network assembly
16.	SWX-062	Power indicator driver assembly
17.	SKE-008	Terminal (red)
18.	SKE-007	Terminal (black)
19.		OCW3.1x16 (black)
20.		TT3x8
21.		BM3x16
22.		OTW3
23.		Cabinet
24.	SCS-025	Attenuator
25.	SAA-009	Knob
26.	SAX-117	Level control holder
27.		Catch assembly

3. WIRING

CS-922A



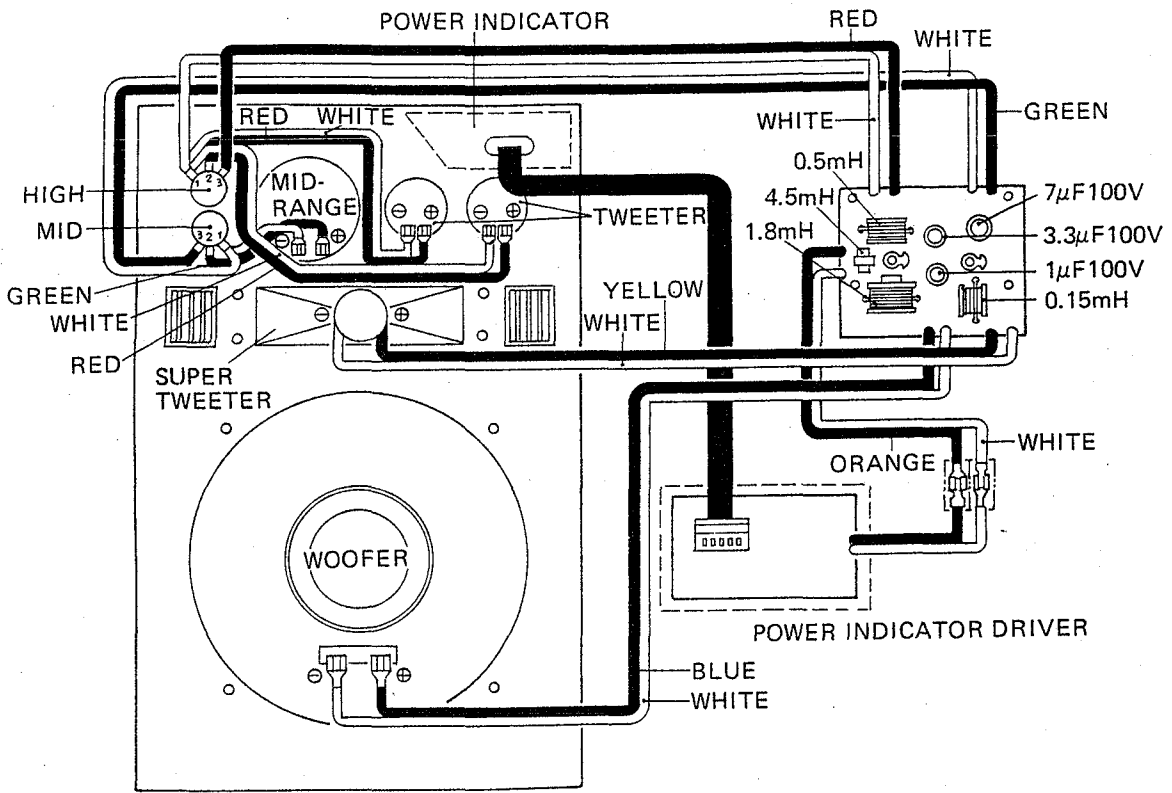
NETWORK ASSEMBLY (SWN-218)



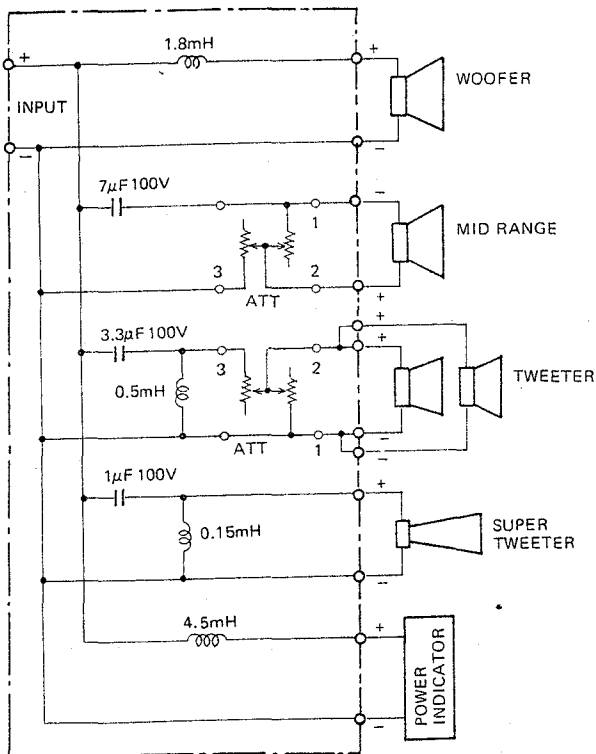
Network assembly (SWN-218)

Part No.	Symbol & Description
SCS-025	Attenuator
CES04 3R3K 100	Capacitor
CES04 1R0K 100	Capacitor
CES04 7R0K 100	Capacitor

CS-822A

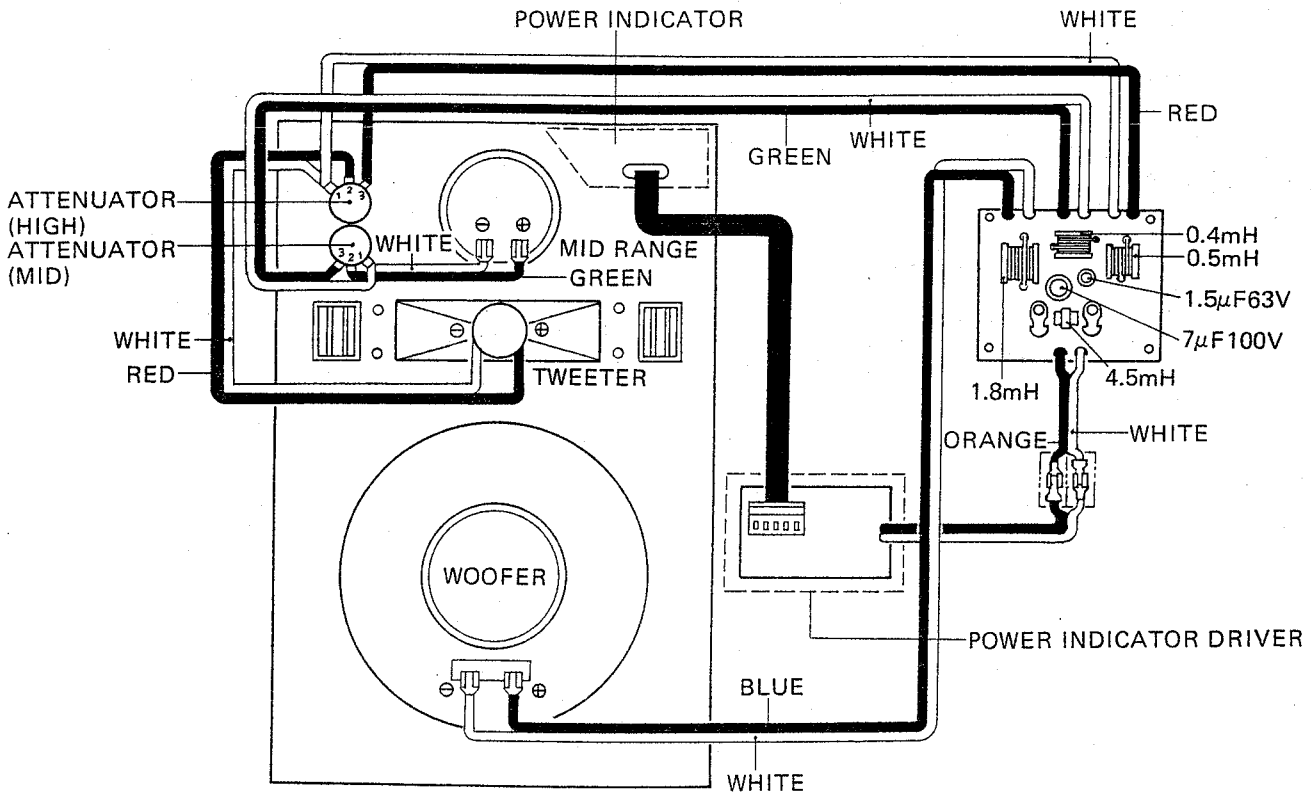


NETWORK ASSEMBLY (SWN-217)

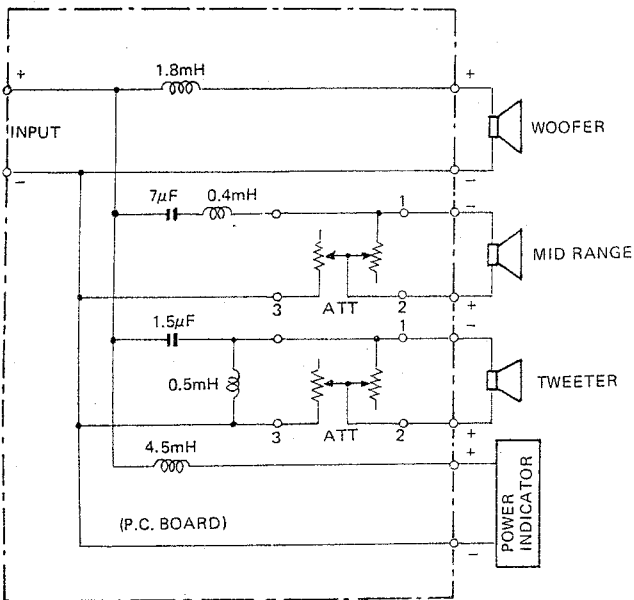


Network Assembly (SWN-217)

Part No.	Symbol & Description
SCS-025	Attenuator
CES04 070K 100	Capacitor
CES04 3R3K 100	Capacitor
CES04 010K 100	Capacitor



NETWORK ASSEMBLY (SWN-216)



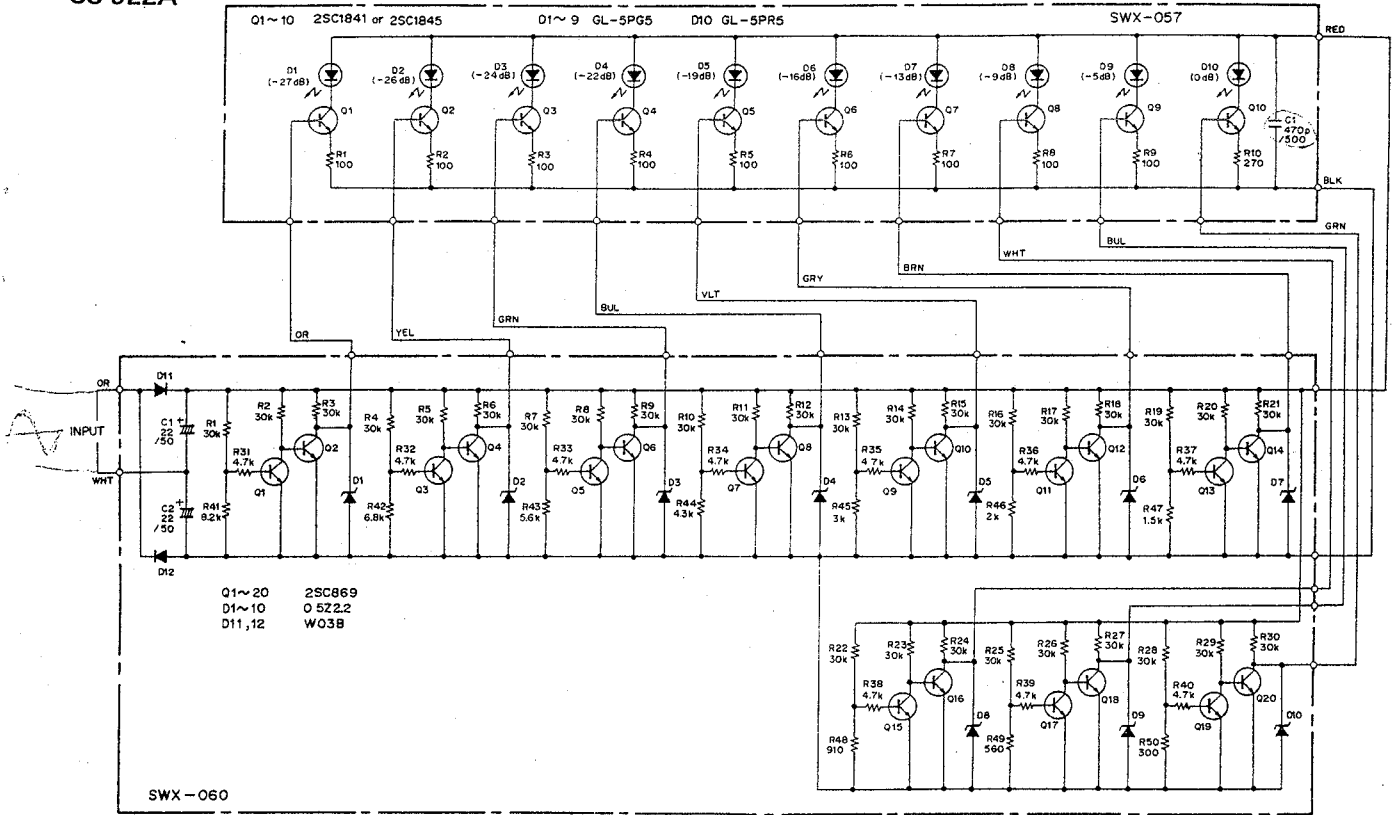
Network assembly (SWN-216)

Part No.	Symbol & Description
SCS-025	Attenuator
CES04 070K 100	Capacitor
CES04 1R5K 63	Capacitor

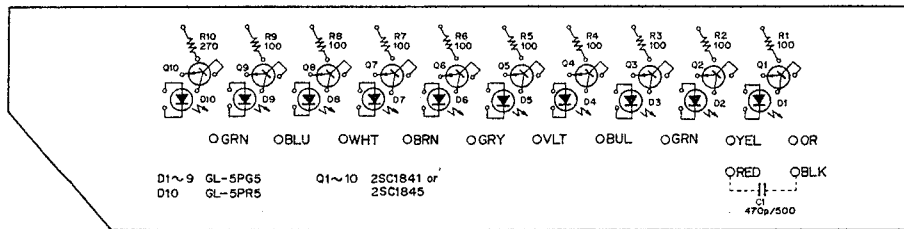
470p

4. POWER INDICATOR CIRCUIT

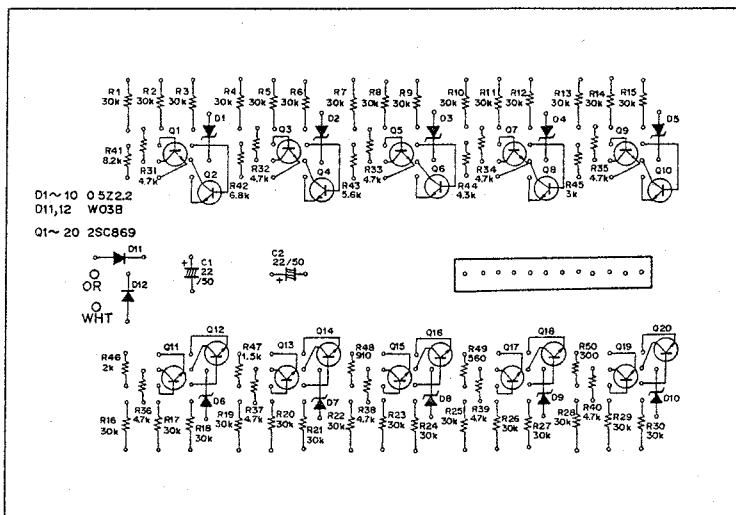
CS-922A

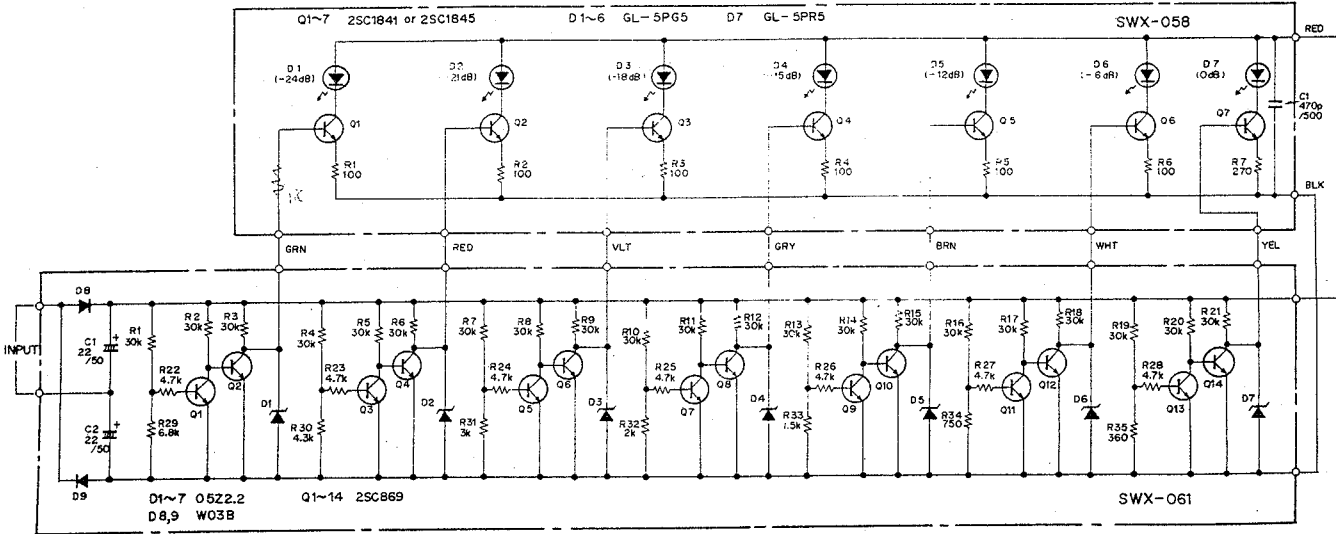


POWER INDICATOR ASSEMBLY (SWX-057)

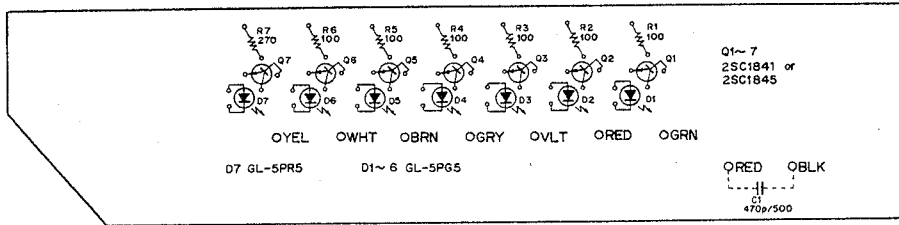


POWER INDICATOR DRIVER ASSEMBLY (SWX-060)

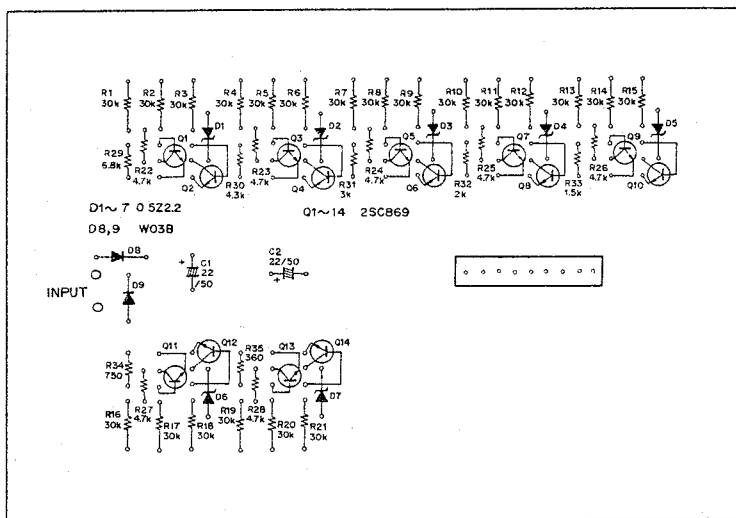




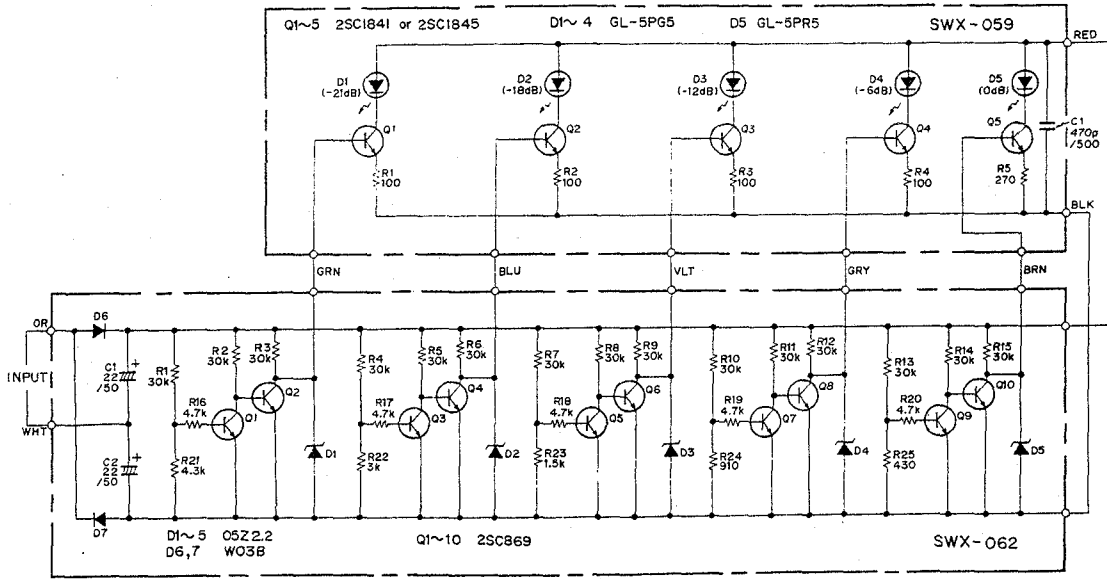
POWER INDICATOR ASSEMBLY (SWX-058)



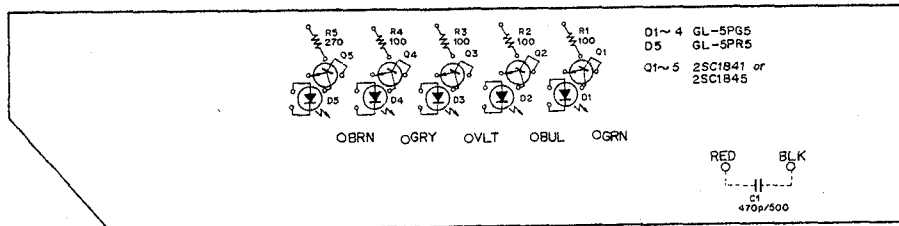
POWER INDICATOR DRIVER ASSEMBLY (SWX-061)



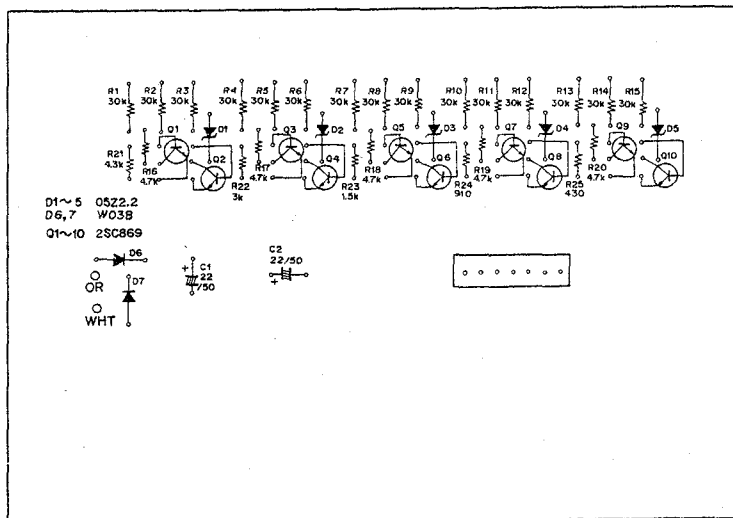
CS-722A



POWER INDICATOR ASSEMBLY (SWX-059)



POWER INDICATOR DRIVER ASSEMBLY (SWX-062)



Parts List CS-922A

Power indicator driver assembly (SWX-060)

Part No.	Symbol & Description
2SC869	Q1-Q20 Transistor
05Z2.2	D1-D10 Diode
W03B	D11-D12 Diode
RD%VS 303J	R1-R30 Resistor
RD%VS 472J	R31-R40 Resistor
RD%VS 822J	R41 Resistor
RD%VS 682J	R42 Resistor
RD%VS 562J	R43 Resistor
RD%VS 432J	R44 Resistor
RD%VS 302J	R45 Resistor
RD%VS 202J	R46 Resistor
RD%VS 152J	R47 Resistor
RD%VS 911J	R48 Resistor
RD%VS 561J	R49 Resistor
RD%VS 301J	R50 Resistor
	C1, C2 Capacitor (22 μ F 50V)

Power indicator assembly (SWX-057)

Part No.	Symbol & Description
2SC1841	Q1-Q10 Transistor
GL-5PG5	D1-D9 LED
GL-5PR5	D10 LED
RD%VS 101J	R1-R9 Resistor
RD%VS 271J	R10 Resistor
SDF-001	Connector
CKDYB 471K 500	C1 Capacitor

Parts List CS-822A

Power Indicator Driver Assembly (SWX-061)

Part No.	Symbol & Description
2SC869	Q1-Q14 Transistor
05Z2.2	D1-D7 Diode
W03B	D8, D9 Diode
RD%VS 303J	R1-R21 Resistor
RD%VS 472J	R22-R28 Resistor
RD%VS 682J	R29 Resistor
RD%VS 432J	R30 Resistor
RD%VS 302J	R31 Resistor
RD%VS 202J	R32 Resistor
RD%VS 152J	R33 Resistor
RD%VS 751J	R34 Resistor
RD%VS 361J	R35 Resistor
	C1, C2 Capacitor (22 μ F 50V)

Power Indicator Assembly (SWX-058)

Part No.	Symbol & Description
2SC1841	Q1-Q7 Transistor
GL-5PG5	D1-D6 LED
GL-5PR5	D7 LED
RD%VS 101J	R1-R6 Resistor
RD%VS 271J	R7 Resistor
SDF-002	Connector
CKDYB 471K 500	C1 Capacitor

Parts List CS-722A

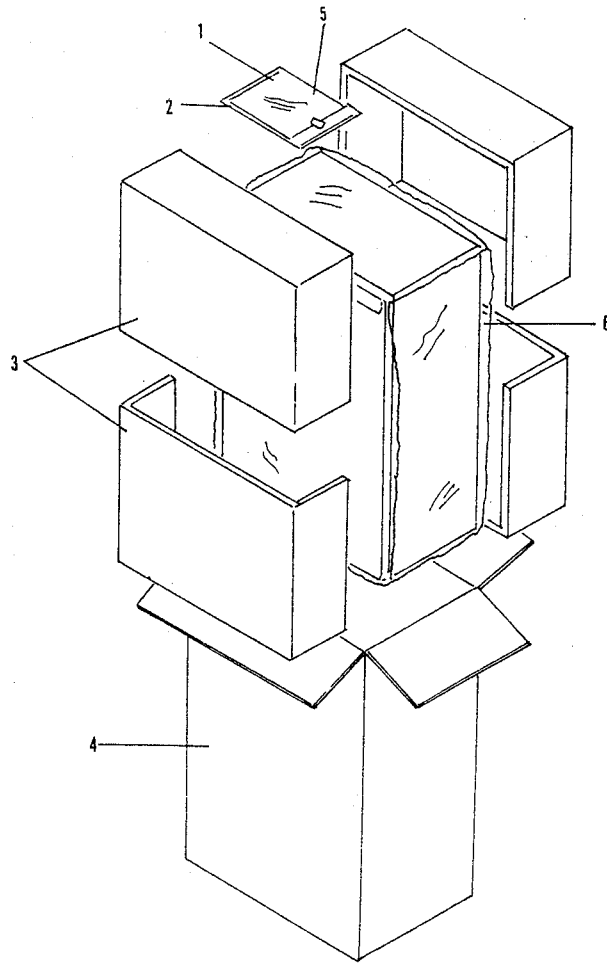
Power indicator driver assembly (SWX-062)

Part No.	Symbol & Description
2SC869	Q1-Q10 Transistor
05Z2.2	D1-D5 Diode
W03B	D6, D7 Diode
RD%VS 303J	R1-R15 Resistor
RD%VS 472J	R16-R20 Resistor
RD%VS 432J	R21 Resistor
RD%VS 302J	R22 Resistor
RD%VS 152J	R23 Resistor
RD%VS 911J	R24 Resistor
RD%VS 431J	R25 Resistor
	C1, C2 Capacitor (22 μ F 50V)

Power indicator assembly (SWX-059)

Part No.	Symbol & Description
2SC1841	Q1-Q5 Transistor
GL-5PG5	D1-D4 LED
GL-5PR5	D5 LED
RD%VS 101J	R1-R4 Resistor
RD%VS 271J	R5 Resistor
SDF-003	Connector
CKDYB 471K 500	C1 Capacitor

PACKING



Parts List

No.	Model		CS-922A	CS-822A	CS-722A
	Description				
1	Vinyl bag		E11-024	E11-024	E11-024
2	Operating guide		SRB-207	SRB-208	SRB-209
3	Protector		SHA-170	SHA-171	SHA-171
4	Packing case (E model)		SHG-381	SHG-382	SHG-383
4	Packing case (G model)		SHG-378	SHG-379	SHG-380
5	Service cord		KDD-012	KDD-012	KDD-012
6	Vinyl bag		SHL-104	SHL-105	SHL-105