

4198



Service Manual

ORDER NO.
RRV1111

SPEAKER SYSTEM

CS-5030 XE

CS-3030 XE

PRECAUTIONS FOR REASSEMBLY AND DISASSEMBLY

CS-5030/XE

- The grille is attached to the cabinet by catches. Detach it by pulling it toward you.
- The woofer is attached to the baffle by 6 external screws. To detach it, unfasten these screws. When attaching it, face its terminal downward.
- The midrange is attached to the baffle by 4 external screws. To detach it, unfasten these screws. When attaching it, face its terminal downward.
- The tweeter is attached to the baffle by 4 external screws. To detach it, unfasten these screws. When attaching it, face its terminal downward.

CS-3030/XE

- The grille is attached to the cabinet by catches. Detach it by pulling it toward you.
- Each speaker is attached to the baffle by 4 external screws. To detach it, unfasten these screws. When attaching it, face its terminal downward.

4198

PARTS LIST

NOTES:

- Parts marked by "NSP" are generally unavailable because they are not in our Master Spare Parts List.
- The "▲" mark found on some component parts indicates the importance of the safety factor of the part. Therefore, when replacing, be sure to use parts of identical designation.
- Parts marked by "◎" are not always kept in stock. Their delivery time may be longer than usual or they may be unavailable.

●CS-5030/XE

Mark	No.	Description	Parts No.
		Grille	FRMG-058
		Network assy	FRWN-044
		Acoustic absorbent	FRMT-031
		Speaker (Woofer)	R20EC70-52E
		Speaker (Midrange)	P77CP60-51D
		Speaker (Tweeter)	P66AP45-65F
		Screw (for Tweeter, Midrange)	BYC40P200FZB
		Screw (for Woofer)	BYC50P250FZB

●CS-3030/XE

Mark	No.	Description	Parts No.
		Grille	FRMG-057
		Network assy	FRWN-073
		Input terminal	FRKX-004
		Acoustic absorbent	FRMT-030
		Speaker (Woofer)	A18EC70-55F
		Speaker (Midrange)	P77CP60-53F
		Speaker (Tweeter)	P66AP45-76F
		Screw (for Tweeter, Midrange)	BYC40P160FZB
		Screw (for Woofer)	BYC40P200FZB

For Packing

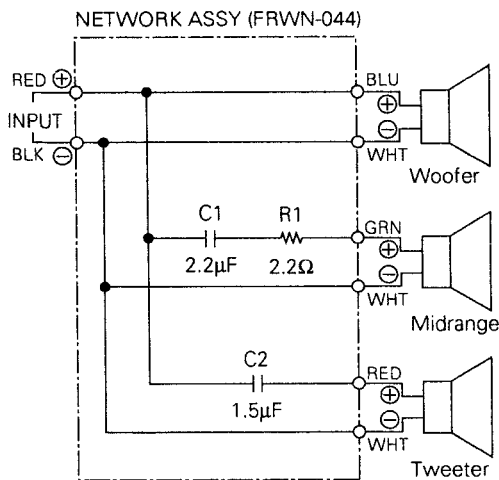
Mark	No.	Description	Parts No.
		Speaker cord	FRDD-002
		Operating instructions (English, French, German, Italian, Dutch, Swedish, Spanish, Portu- guese, Danish, Finnish, Norwegian)	FRRD-085
		Protector (Top)	FRHA-040
		Protector (Bottom)	FRHA-041
		Protection mat	FRHC-011
		Packing case	FRHG-117

For Packing

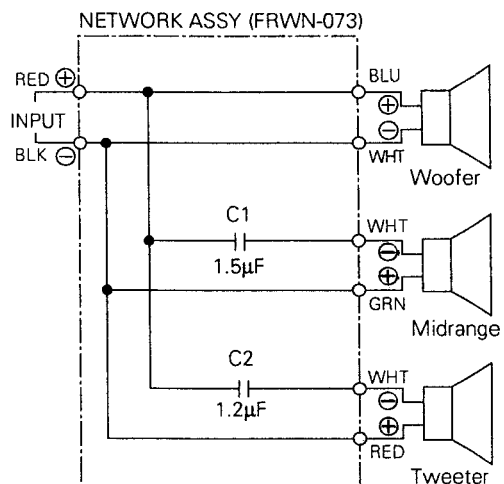
Mark	No.	Description	Parts No.
		Speaker cord	FRDD-002
		Operating instructions. (English, French, German, Italian, Dutch, Swedish, Spanish, Portu- guese, Danish, Finnish, Norwegian)	FRRD-084
		Protector	FRHA-017
		Protection mat	FRHC-007
		Packing case	FRHG-116

SCHEMATIC DIAGRAM AND PARTS LIST

●CS-5030/XE



●CS-3030/XE



Parts List

Mark	No.	Description	Parts No.
	C1	Capacitor (2.2µF)	CES42R2KJ
	C2	Capacitor (1.5µF)	CES41R5KJ
	R1	Resistor (2.2Ω)	RT5B2R2K
		Input terminal	FRKX-004
		Screw	VTZ30P080FMC

Parts List

Mark	No.	Description	Parts No.
	C1	Capacitor (1.5µF)	CES41R5KJ
	C2	Capacitor (1.2µF)	CES41R2KJ