

# Service Manual

ORDER NO.  
ARP1106-0

## SPEAKER SYSTEM **CS-G301WA II** xc

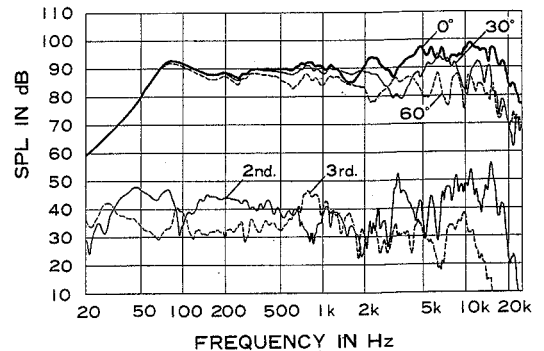
### SPECIFICATIONS

Enclosure	Book-shelf style, Bass-reflex type
System	3-way 3-speaker system
Loudspeakers:	
Woofer	30 cm (12 in) cone type
Mid-range	12 cm (4-3/4 in) cone type
Tweeter	6.6 cm (2-5/8 in) cone type
Nominal Impedance	6 ohms
Frequency Range	35 Hz to 20,000 Hz
Sensitivity	91.5 dB/W at 1 m distance
Maximum Music Power	120 W
Rated Power	40 W
Crossover Frequency	3,500 Hz, 7,000 Hz
External Dimensions	380(W) x 673(H) x 330(D) mm 14-15/16(W) x 26-1/2(H) x 13(D) in
Weight	13.5 kg (29 lb 12 oz)
Accessory Parts	Operating Guide x 1 Speaker Cord x 2

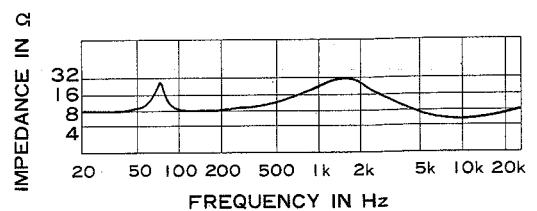
**NOTE:**

*Specifications and design subject to possible modification without notice, due to improvements.*

### FREQUENCY RESPONSE & HARMONIC DISTORTION



### IMPEDANCE

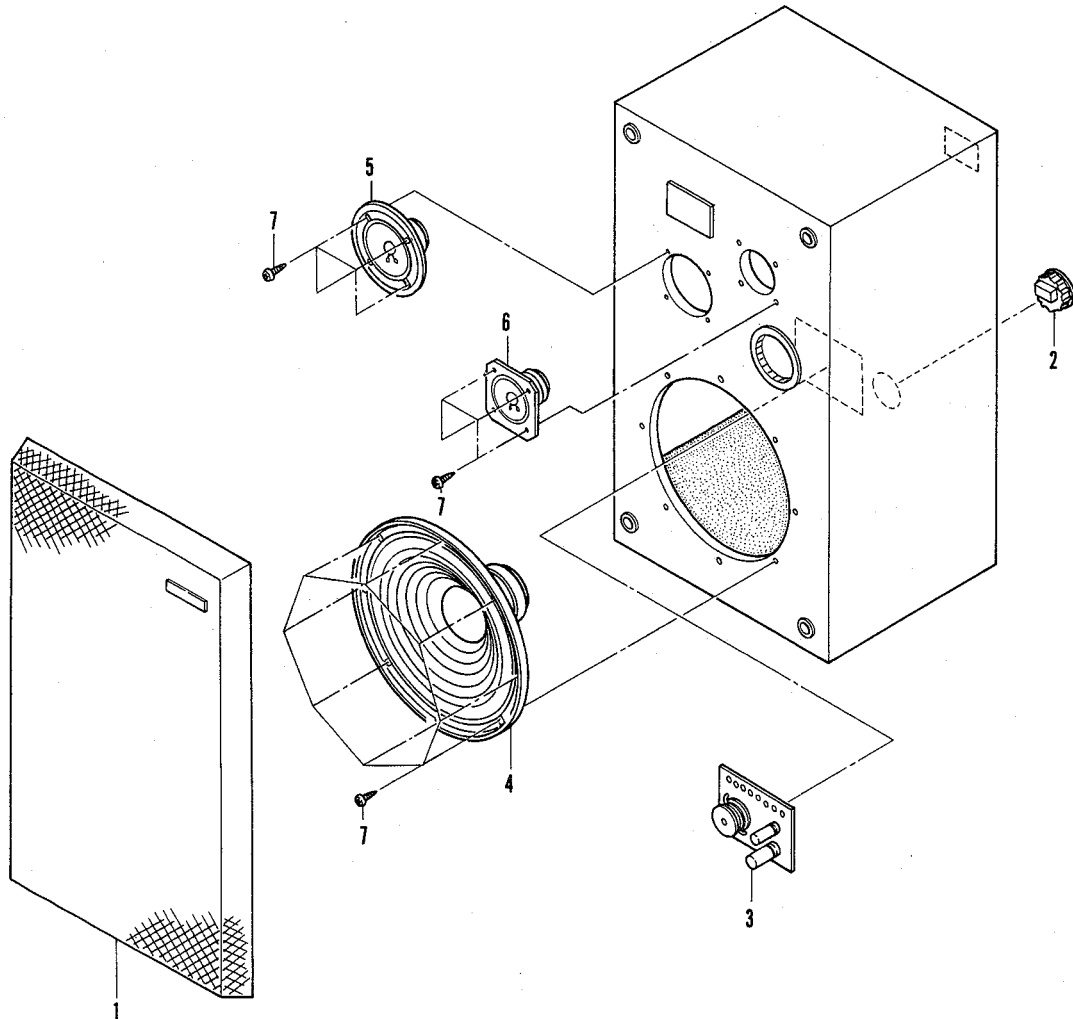


**PIONEER ELECTRONIC CORPORATION**  
PIONEER ELECTRONICS SERVICE AND ENGINEERING, INC.

PIONEER ELECTRONIC (EUROPE) N.V.  
PIONEER ELECTRONICS AUSTRALIA PTY. LTD.

# EXPLODED VIEW AND PARTS LIST

## Exploded View



**NOTES:**

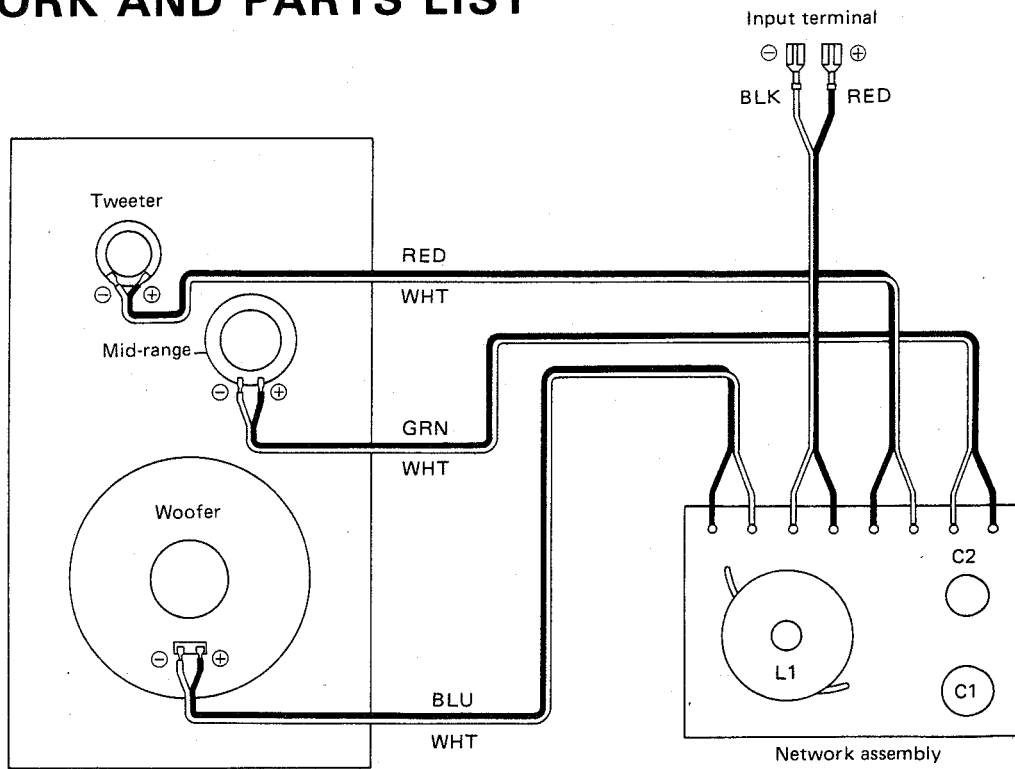
- Parts without part number cannot be supplied.
- The  $\Delta$  mark found on some component parts indicates the importance of the safety factor of the part. Therefore, when replacing, be sure to use parts of identical designation.
- For your Parts Stock Control, the fast moving items are indicated with the marks **★★** and **★**.  
**★★ GENERALLY MOVES FASTER THAN ★**  
 This classification shall be adjusted by each distributor because it depends on model number, temperature, humidity, etc.
- Parts marked by "⊙" are not always kept in stock. Their delivery time may be longer than usual or they may be unavailable.

**Parts List**

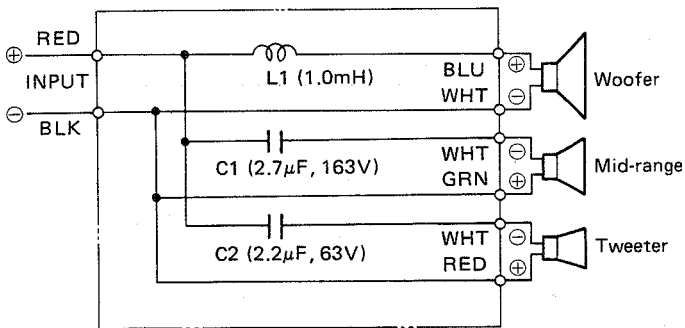
Mark	No.	Part No.	Description	Mark	No.	Part No.	Description
	1.	142669	Grille	★★	6.	P66AP45-51F	Tweeter
	2.	119317	Input terminal		7.	109068	Screw
⊙	3.	142703	Network assembly				
★★	4.	A30FU80-75F	Woofer				
★★	5.	H12DP61-53F	Mid-range				

# NETWORK AND PARTS LIST

## Wiring



## Circuit Diagram



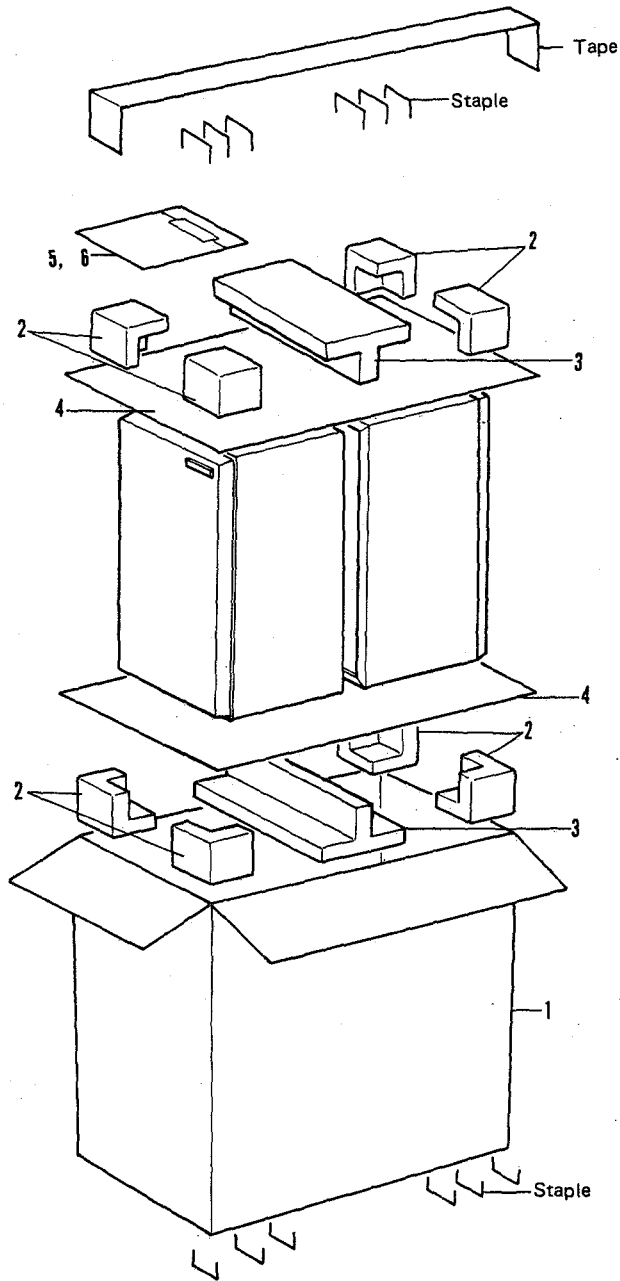
## NETWORK ASSEMBLY (142703)

### Parts List

Mark	Symbol & Description	Part No.
L1	Choke coil (1.0mH)	STH-014
C1	Capacitor (2.7μF, 63V)	Non supply
C2	Capacitor (2.2μF, 63V)	Non supply

# PACKING VIEW AND PARTS LIST

## Packing View



### Parts List

Mark	No.	Part No.	Description
	1.	142629	Packing case
	2.	133175	Corner pad
	3.	133160	Center pad
	4.	125699	Poly sheet
	5.	101717	Speaker cord
	6.	142649	Instruction manual