

# Service Manual

ORDER NO.  
**ARP2035**

## SPEAKER SYSTEM

# CS-G403 XC

## CS-G303 XC

## CS-G203 XC

## CS-G103 XC

This service manual is intended for qualified service technicians; it is not meant for the casual do-it-yourselfer. Qualified technicians have the necessary test equipment and tools, and have been trained to properly and safely repair complex products such as those covered by this manual. Improperly performed repairs can adversely affect the safety and reliability of the product and may void the warranty. If you are not qualified to perform the repair of this product properly and safely, you should not risk trying to do so and refer the repair to a qualified service technician.

**WARNING**  
Lead in solder used in this product is listed by the California Health and Welfare agency as a known reproductive toxicant which may cause birth defects or other reproductive harm (California Health & Safety Code, Section 25249.5).  
When servicing or handling circuit boards and other components which contain lead in solder, avoid unprotected skin contact with the solder. Also, when soldering do not inhale any smoke or fumes produced.

## PARTS LIST OF PACKING

### (CS-G403)

Mark	Part No.	Description
	184143	Packing case
	149744	Corner pad
	162905	Poly bag
	101717	Service cord
	184158	Operating instructions

### (CS-G303)

Mark	Part No.	Description
	183997	Packing case
	149744	Corner pad
	133160	Center pad
	602951	Poly bag
	184009	Operating instructions

### (CS-G203)

Mark	Part No.	Description
	183828	Packing case
	149744	Corner pad
	133160	Center pad
	142505	Poly bag
	183833	Operating instructions

### (CS-G103)

Mark	Part No.	Description
	183680	Packing case
	149744	Corner pad
	133160	Center pad
	142372	Poly bag
	183695	Operating instructions

**PIONEER ELECTRONIC CORPORATION** 4-1, Meguro 1-Chome, Meguro-ku, Tokyo 153, Japan  
**PIONEER ELECTRONICS SERVICE INC.** P.O. Box 1760, Long Beach, California 90801 U.S.A.  
**PIONEER ELECTRONICS OF CANADA, INC.** 505 Cochrane Drive, Markham, Ontario L3R 8E3 Canada  
**PIONEER ELECTRONIC [EUROPE] N.V.** Keetberglaan 1, 2740 Beveren, Belgium  
**PIONEER ELECTRONICS AUSTRALIA PTY. LTD.** 178-184 Boundary Road, Braeside, Victoria 3195, Australia TEL: [03] 580-9911  
**© PIONEER ELECTRONIC CORPORATION 1990**

## PARTS LIST OF EXPLODED

### NOTES:

- Parts without part number cannot be supplied.
- The  $\Delta$  mark found on some component parts indicates the importance of the safety factor of the part. Therefore, when replacing, be sure to use parts of identical designation.
- Parts marked by "⊙" are not always kept in stock. Their delivery time may be longer than usual or they may be unavailable.

### (CS-G403)

Mark	Part No.	Description
	184163	Grille
	119317	Input terminal
⊙	162910	Network assembly
	184198	Woofer
	184054	Mid-range
	183759	Tweeter
	101584	Screw (For Woofer)
	110721	Screw (For Mid-range, Tweeter)

### (CS-G303)

Mark	Part No.	Description
	184014	Grille
	119317	Input terminal
⊙	142703	Network assembly
	184049	Woofer
	184054	Mid-range
	183759	Tweeter
	109068	Screw (For Woofer)
	110721	Screw (For Mid-range, Tweeter)

### (CS-G203)

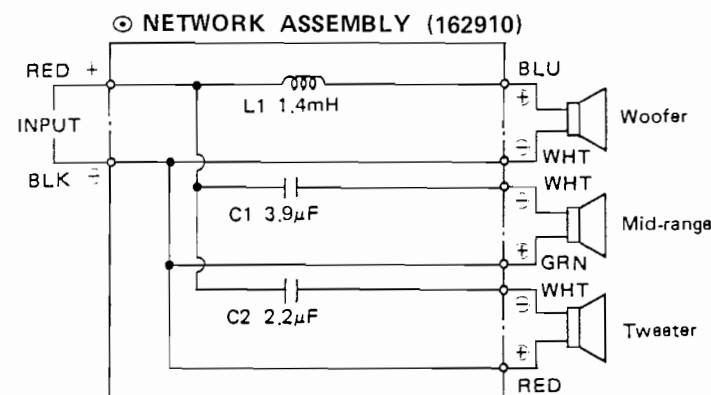
Mark	Part No.	Description
	183848	Grille
	119317	Input terminal
⊙	142585	Network assembly
	183873	Woofer
	183888	Mid-range
	183759	Tweeter
	109068	Screw (For Woofer)
	110721	Screw (For Mid-range, Tweeter)

### (CS-G103)

Mark	Part No.	Description
	183704	Grille
⊙	142461	Network assembly
	183744	Woofer
	183759	Tweeter
	109093	Screw (For Woofer)
	100289	Screw (For Tweeter)

## NETWORK AND PARTS LIST

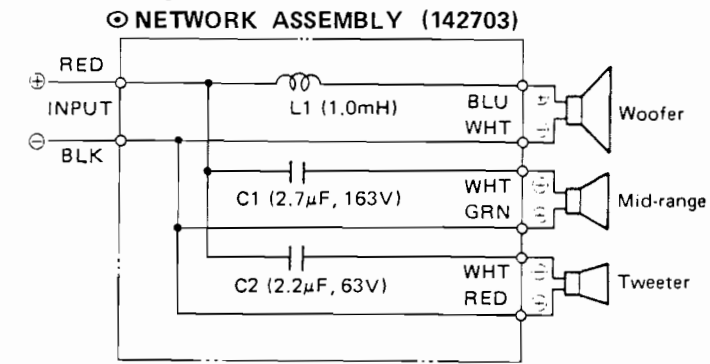
Circuit Diagram (CS-G403)



Parts List (CS-G403)

Mark	Symbol & Description	Part No.
	L1 Choke coil (1.4mH)	Non supply
	C1 Capacitor (3.9µF, 63V)	Non supply
	C2 Capacitor (2.2µF, 63V)	Non supply

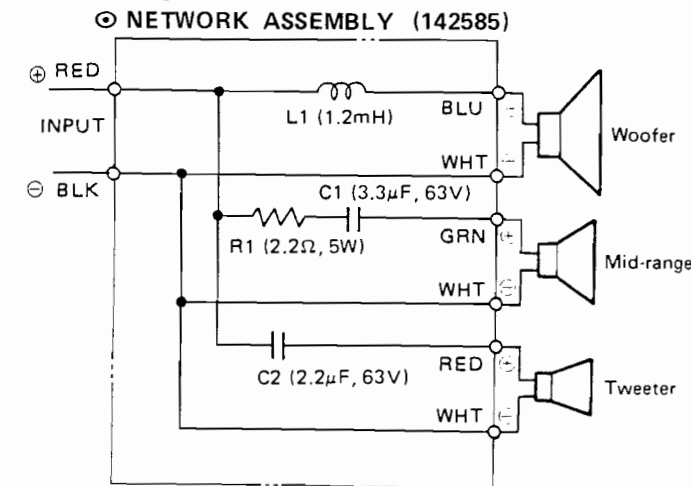
Circuit Diagram (CS-G303)



Parts List (CS-G303)

Mark	Symbol & Description	Part No.
	L1, Choke coil (1.0mH)	Non supply
	C1, Capacitor (2.7µF, 63V)	Non supply
	C2, Capacitor (2.2µF, 63V)	Non supply

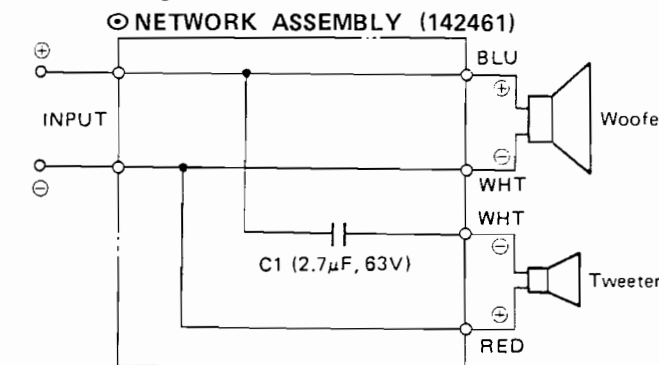
Circuit Diagram (CS-G203)



Parts List (CS-G203)

Mark	Symbol & Description	Part No.
	L1, Choke coil (1.2mH)	Non supply
	C1, Capacitor (3.3µF, 63V)	Non supply
	C2, Capacitor (2.2µF, 63V)	Non supply
	R1, Resistor (2.2Ω, 5W)	Non supply

Circuit Diagram (CS-G103)



Parts List (CS-G103)

Mark	Symbol & Description	Part No.
	Input terminal	Non supply
	C1, Capacitor (2.7µF, 63V)	Non supply