



PIONEER®
The future of sound and vision.

Service Manual

**ORDER NO.
ARP1398**

SPEAKER SYSTEM

CS-V110 E

SPECIFICATIONS

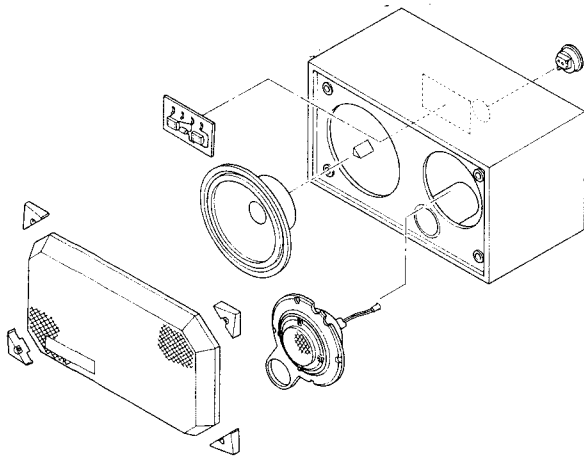
Enclosure	Book-shelf style, Bass-reflex type
System	2-way, 2-speaker system
Loudspeakers:	
Woofer	20 cm (8 in) cone type
Tweeter	7.7 cm (3 in) cone type
Nominal Impedance	6 ohms
Frequency Range	45 to 20,000 Hz
Sensitivity	88 dB/W at 1 m distance
Maximum Power	150 W
Music Power (DIN)	150 W
Crossover Frequency	2,000 Hz
External Dimentions	455(W) x 256 (H) x 287 (D) mm 18(W) x 10(H) x 11-1/4(D) in
Weight	7.0 kg/15 lb 7 oz
Accessory Parts	Operating Guide x 1 Speaker Cords x 2

NOTE:
Specifications and design subject to possible modification without notice, due to improvements.

PIONEER ELECTRONIC CORPORATION 4-1, Meguro 1-Chome, Meguro-ku, Tokyo 153, Japan
PIONEER ELECTRONICS SERVICE INC. P.O. Box 1760, Long Beach, California 90801 U.S.A.
PIONEER ELECTRONICS OF CANADA, INC. 505 Cochrane Drive, Markham, Ontario L3R 6B8 Canada TEL: [416] 479-4411
PIONEER ELECTRONIC [EUROPE] N.V. Keetberglaan 1, 2740 Beveren, Belgium TEL: 03/775 · 28 · 08
PIONEER ELECTRONICS AUSTRALIA PTY. LTD. 178-184 Boundary Road, Braeside, Victoria 3195, Australia TEL: [03] 580-9911

EXPLODED VIEW AND PARTS LIST

Exploded View (Showing the right speaker)



NOTES:

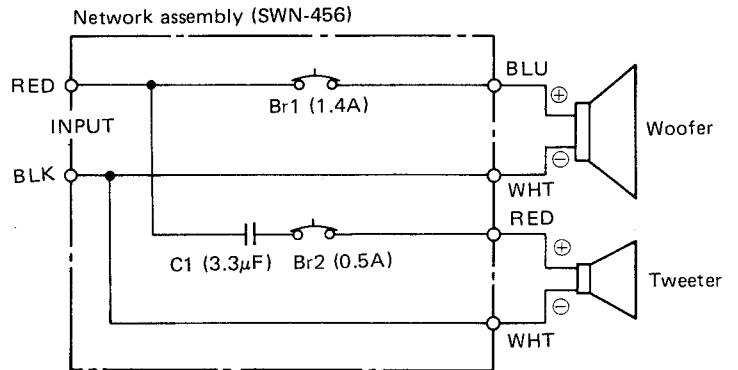
- Parts without part number cannot be supplied.
- The Δ mark found on some component parts indicates the importance of the safety factor of the part. Therefore, when replacing be sure to use parts of identical designation.
- For your parts Stock Control, the fast moving items are indicated with the marks **★★** and **★**.
★★ GENERALLY MOVES FASTER THAN ★
 This classification shall be adjusted by each distributor because it depends on model number, temperature, humidity, etc.
- Parts marked by "⊙" are not always kept in stock. Their delivery time may be longer than usual or they may be unavailable.

Parts List

Mark	Part No.	Description
	SMG-347	Grille
	SKX-029	Input terminal
⊙	SWN-456	Network assembly
	SNK-810	Corner protector
★★	20-761A	(Speaker) Woofer
★★	SWX-104	(Speaker) Tweeter (L)
★★	SWX-105	(Speaker) Tweeter (R)
	SBA-122	Screw (For Woofer and Tweeter)
	SBA-180	Screw (For Corner protector)

NETWORK AND PARTS LIST

Circuit Diagram



⊙ NETWORK ASSEMBLY (SWN-456)

Parts List

Mark	Symbol & Description	Part No.
	C1 Capacitor (3.3µF, 63V)	CES043R3K63
	Br 1 Circuit protector (1.4A)	SSG-014
	Br 2 Circuit protector (0.5A)	SSG-005

PACKING PARTS LIST

Parts List

Mark	Part No.	Description
	SHG1071	Packing case
	SHA-922	Corner pad (F)
	SHA-923	Corner pad (R)
	SHC-790	Protection mat
	SDS-015	Speaker cord
	SRB1032	Operating guide