

 **PIONEER**

Service Manual



ORDER NO.
ART-744-0

AUDIO DIGITAL TIMER

DT-510

MODEL DT-510 COMES IN SIX VERSIONS DISTINGUISHED AS FOLLOWS:

Type	Voltage	Remarks
KU	120V only	U.S.A. model
KC	120V only	Canada model
S	110V, 120V, 220V and 240V (Switchable)	General export model
S/G	110V, 120V, 220V and 240V (Switchable)	U.S. Military model
YB	240V only	United Kingdom model
NE	220V only	Europe model

- This service manual is applicable to the DT-510/S,S/G. When repairing the DT-510/KU, please see page 11, and for the other types, please refer to the additional service manuals.

CONTENTS

1. SPECIFICATIONS	2	ADDITIONAL SERVICE MANUAL (For KU model)	
2. PARTS LOCATIONS	2	1. CONTRAST OF MISCELLANEOUS PARTS	11
3. FRONT PANEL FACILITIES	3	2. SPECIFICATIONS	11
4. EXPLODED VIEW	4	3. PARTS LIST	12
5. SCHEMATIC DIAGRAMS	5	4. SCHEMATIC DIAGRAM	13
6. P.C. BOARD CONNECTION DIAGRAM	7	5. P.C. BOARD PATTERNS	15
7. PARTS LIST	9		
8. PACKING	10		

1. SPECIFICATIONS

Time display Digital display with fluorescent display tube
 Timer type 24-hour type (AM/PM, 12-hour display)
 Timer setting Only one ON/OFF time setting in minimum units of minutes within a 24-hour period
 Sleep timer Setting in minimum units of minutes up to 1 hour 59 minutes
 Time accuracy Synchronized with line frequency
 Timer accuracy Within ± 0.1 sec. of time displayed
 Sleep timer accuracy Within 59 sec. of set time
Power section, others
 Power requirements AC 110V/120V/220V/240V (switchable) 50Hz/60Hz (switchable)
 AC outlets Total of 2 outlets, 1,200 W max. capacity power (500 W for audio equipment)
 Power consumption 6 W

Other functions

- AC OUTLET "on" display (red LED lights)
- Timer operation display (green LED lights)
- Power failure display (time display winks)

Dimensions 420 (W) x 50 (H) x 144 (D) mm
 16-9/16 (W) x 2 (H) x 5-11/16 (D) in
 Weight 1.7 kg (3 lb 12 oz)

Accessories

Operating Instructions 1

NOTE:
 Specifications and design are subject to possible modification without notice due to improvements.

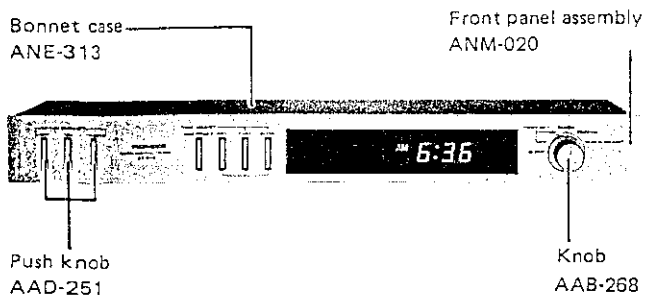
2. PARTS LOCATIONS

* These parts locations are applicable to the DT-510/KU.

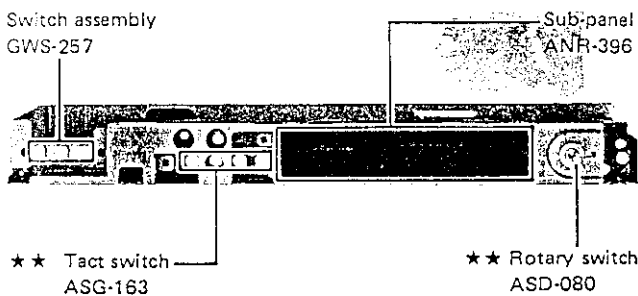
NOTES:

- The Δ mark found on some component parts indicates the importance of the safety factor of the part. Therefore, when replacing, be sure to use parts of identical designation.
- For your Parts Stock Control, the fast moving items are indicated with the marks **★★** and **★**.
★★ GENERALLY MOVES FASTER THAN ★
 This classification shall be adjusted by each distributor because it depends on model number, temperature, humidity, etc.

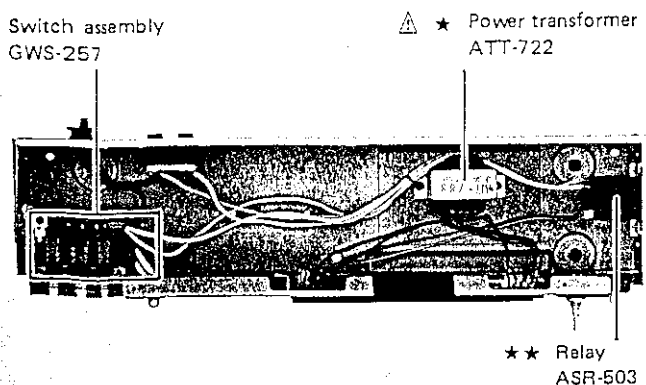
Front Panel



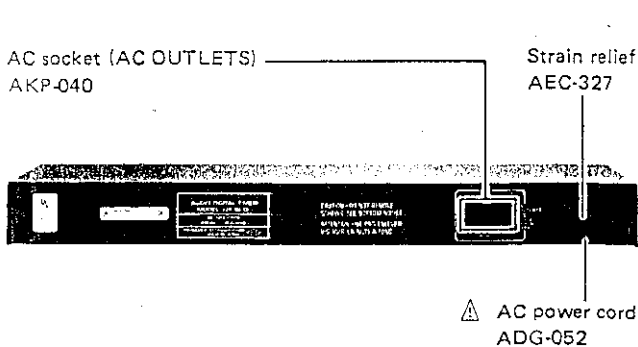
Front View with Panel Removed



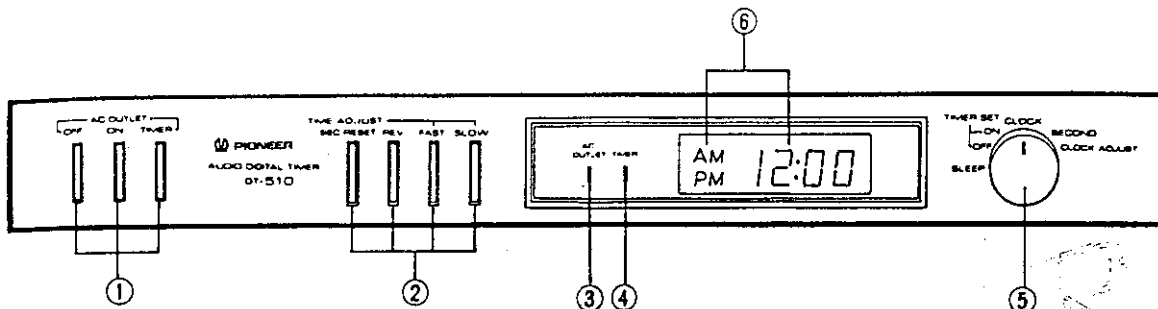
Top View with Bonnet Removed



Rear Panel



3. FRONT PANEL FACILITIES



① AC OUTLET SELECTORS

These switch on and off the power flowing to the rear panel AC outlets.

- OFF:** Used to switch off the power of the connected audio components regardless of the timer operation (set times).
- ON:** Used to switch on the power of the connected audio components regardless of the timer operation (set times).
- TIMER:** Used to switch ON and OFF the power of the connected audio components with the timer operation.

② TIME ADJUST SWITCHES

These are used to adjust the time/displayed times in line with the setting of the mode selector.

- SEC RESET:** When this switch is depressed with the mode selector in the SECOND position, the second display of the present time is reset to **00** and when released the seconds are counted up from **00** → **01** → **02** → etc., and the rightmost minute digit and seconds are displayed.
- REV:** When the FAST or SLOW switch is depressed while this switch is in the depressed position, the displayed time is reversed rapidly or slowly. (This function does not work when the sleep timer function is set.)
- FAST:** When this switch is depressed, the displayed time is forwarded rapidly.
- SLOW:** When this switch is depressed, the displayed time is forwarded slowly.

③ AC OUTLET INDICATOR (red)

This lights when power is being supplied to the AC OUTLETS on the rear panel.

④ TIMER INDICATOR (green)

This lights when the AC OUTLET-TIMER selector is depressed.

⑤ MODE SELECTOR

This is used to select the timer's function.

- SLEEP:** Used to set the operating time (1 minute to 1 hour 59 minutes) until the power of the audio components operating is to be set OFF.

- TIMER SET-OFF:** Used to set the time at which the power to the connected audio components is set OFF.
- TIMER SET-ON:** Used to set the time at which the power to the connected audio component is set ON.
- CLOCK:** Used to display the present time (hours & minutes).
- SECOND:** Used to adjust the seconds of the present time and check the seconds of the present time.
- CLOCK ADJUST:** Used to adjust the clock to the present time.

⑥ TIME DISPLAY

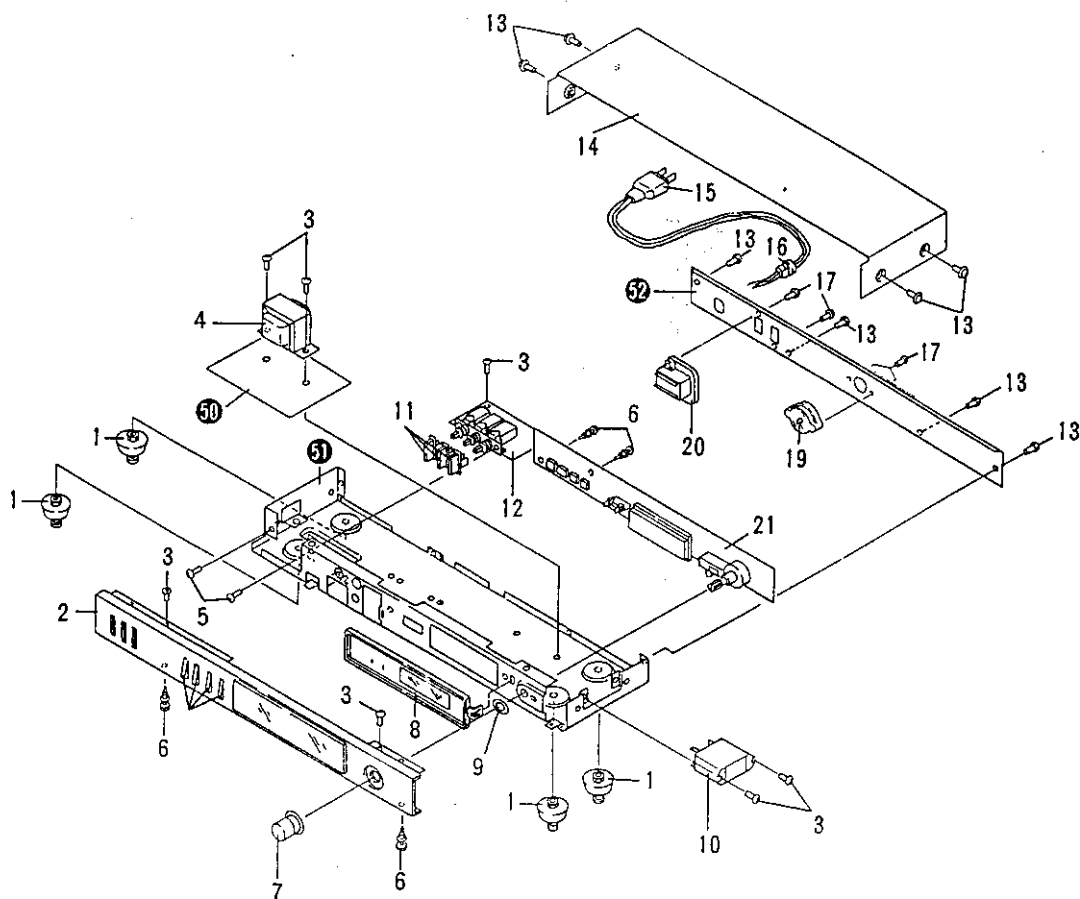
The time is displayed as it relates to the mode selector or TIME ADJUST switch settings in the following table.

Mode selector	TIME ADJUST switch	Display	Example of display
SLEEP	FAST SLOW	Time until sleep operation is due to go OFF.	1:30 1 hr 30 min.
TIMER SET-OFF	FAST SLOW REV	Display of OFF time set by timer.	AM 8:00
TIMER SET-ON	FAST SLOW REV	Display of ON time set by timer	AM 7:30
CLOCK	—	Display of present time	PM 5:38
SECOND	—	Display of seconds and rightmost digit of present time minute	8:25 8 min. 25 sec.
	SEC RESET	Display for adjusting seconds correctly of present time	5:00 5 min. 00 sec.
CLOCK ADJUST	FAST SLOW REV	Display for adjusting hours and minutes of present time	PM 12:05

NOTE:

When the unit's power plug is connected to a household AC outlet, the "AM 12:00" or "0:00" time display will wink. It also winks when there has been a power failure while the unit was working and the power has been restored.

4. EXPLODED VIEW



NOTES:

- Parts without part number cannot be supplied.
- The Δ mark found on some component parts indicates the importance of the safety factor of the part. Therefore, when replacing, be sure to use parts of identical designation.

Parts List

Mark	No.	Part No.	Description	Mark	No.	Part No.	Description
	1.	AEC-609	Foot assembly		16.	AEC-327	Strain relief
	2.	ANM-020	Front panel assembly		17.	MTZ30P100FZK	Screw
	3.	VBZ30P060FMC	Screw		18.	
Δ	* 4.	ATT-724	Power transformer	Δ **	19.	AKX-063	Line voltage selector
	5.	PMZ30P060FZB	Screw		20.	AKP-040	AC socket (AC OUTLETS)
	6.	AEC-510	Nylon rivet		21.	GWX-526	Timer assembly
	7.	AAB-268	Knob				
	8.	ANR-396	Sub-panel		50.		Plate
	9.	ABN-024	Nut		51.		Chassis
Δ	** 10.	ASR-502	Relay		52.		Rear panel
	11.	AAO-251	Push knob				
	12.	GWS-256	Switch assembly				
	13.	BBT30P080FZK	Screw				
	14.	ANE-313	Bonnet case				
Δ	15.	ADG-046	AC power cord				

5. SCHEMATIC DIAGRAMS

NOTE:

The indicated semiconductors are representative ones only. Other alternative semiconductors may be used and are listed in the parts list.

- 1. RESISTORS: Indicated in Ω, %W, ±5% tolerance unless otherwise noted k : kΩ, M : MΩ, (F) : ±1%, (G) : ±2%, (K) : ±10% tolerance
- 2. CAPACITORS: Indicated in capacity (μF)/voltage (V) unless otherwise noted p : pF. Indication without voltage is 50V except electrolytic capacitor.
- 3. VOLTAGE: : DC voltage (V) at TIMER, RELAY ON. Value in () is DC voltage at AC OUTLET OFF.
- 4. OTHERS: The mark found on some component parts indicates the importance of the safety factor of the part. Therefore, when replacing, be sure to use parts of identical designation.

SWITCHES:

- S1-1 : AC OUTLET(OFF) ON - OFF
- S1-2 : AC OUTLET (ON) ON - OFF
- S1-3 : AC OUTLET (TIMER) ON - OFF
- S2 : TIME ADJUST (FAST) ON - OFF
- S3 : TIME ADJUST (SLOW) ON - OFF
- S4 : TIME ADJUST (SEC RESET) ON - OFF
- S5 : TIME ADJUST (REV) ON - OFF
- S6 : MODE SLEEP-TIMER SET OFF-TIMER SET ON - CLOCK-SECOND-CLOCK ADJUST
- S8 : LINE FREQUENCY 50Hz - 60Hz
- S9 : LINE VOLTAGE SELECTOR 110V - 120V - 220V - 240V

The underlined indicates the switch position.

This is the basic schematic diagram, but the actual circuit may vary due to improvements in design.

A

B

C

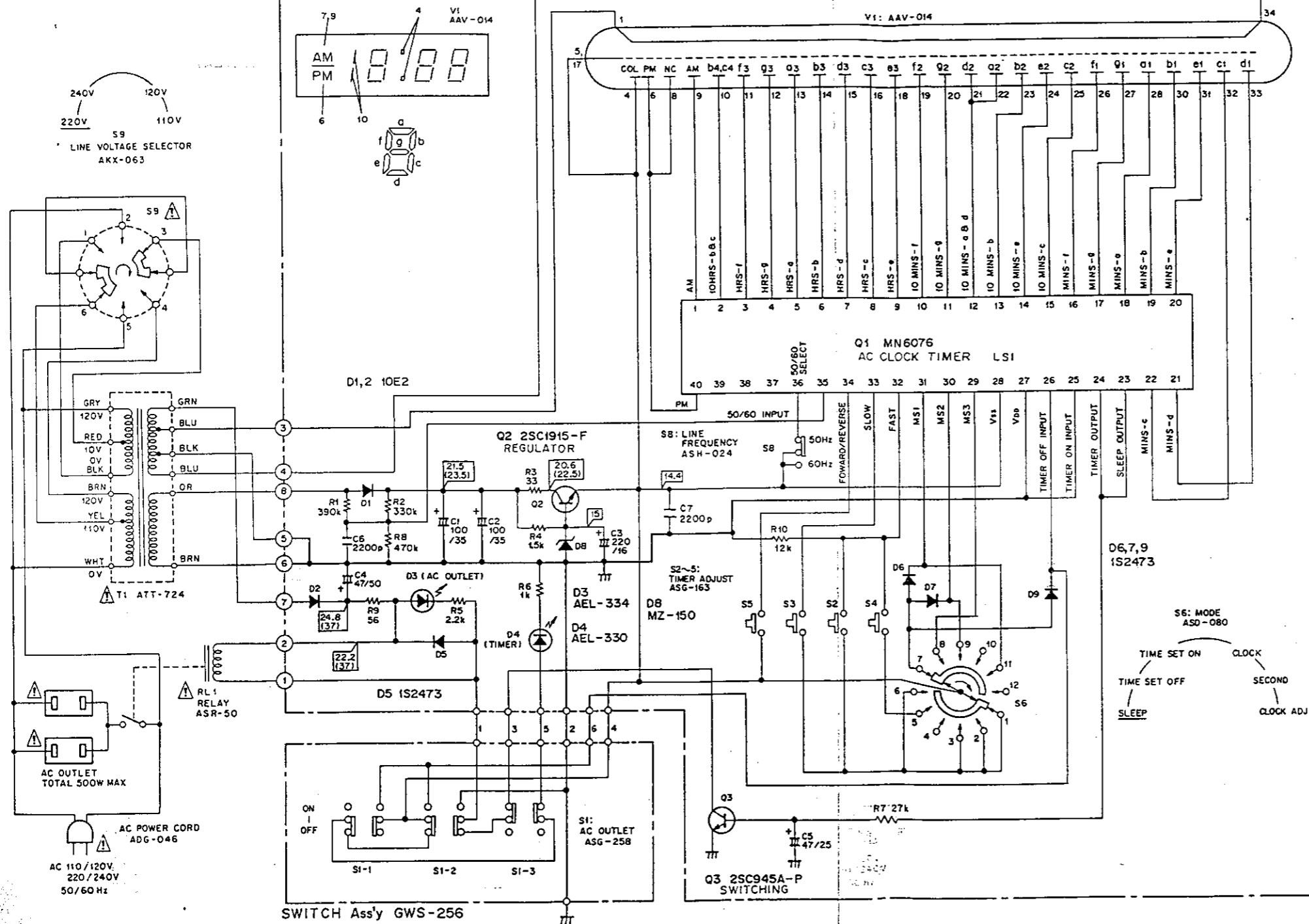
D

A

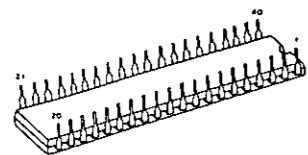
B

C

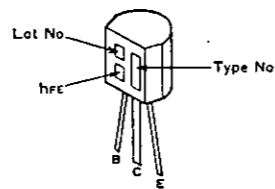
TIMER Ass'y GWX-526



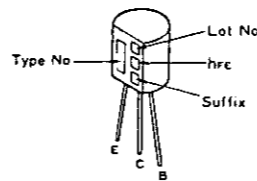
Appearance of Transistors and ICs MN6076



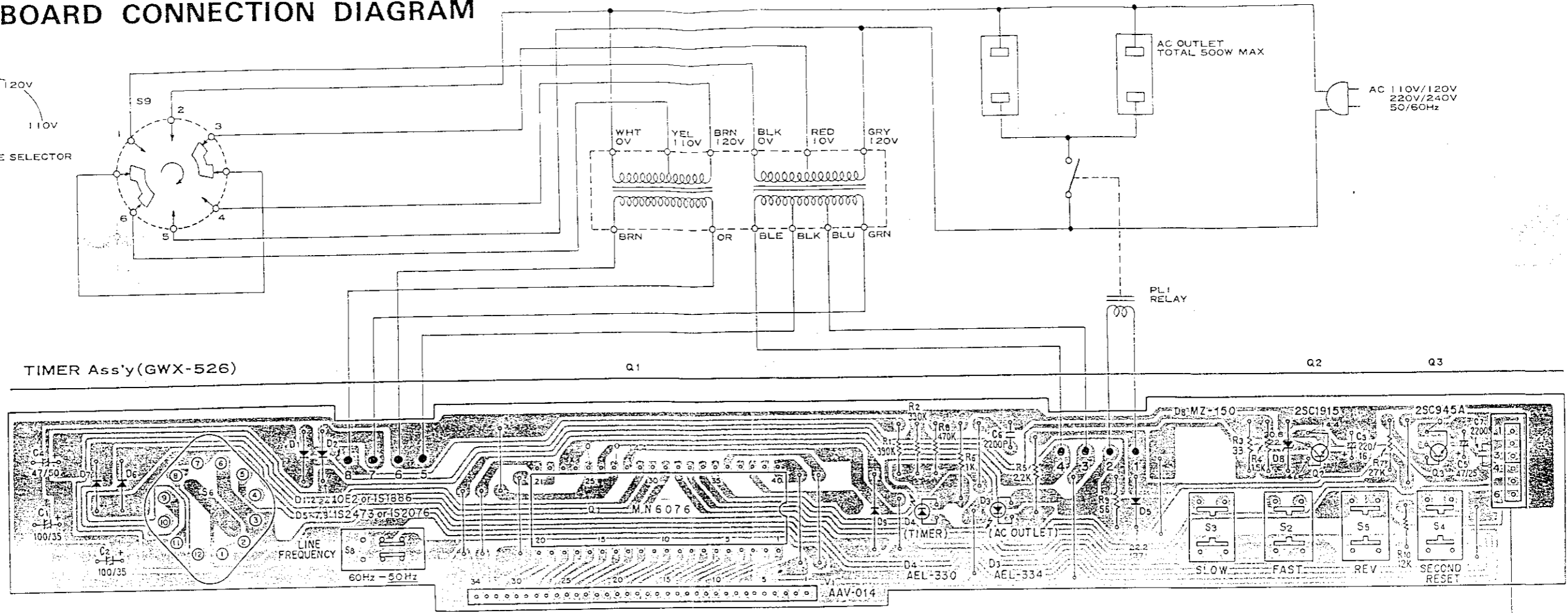
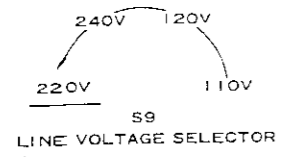
2SC1915



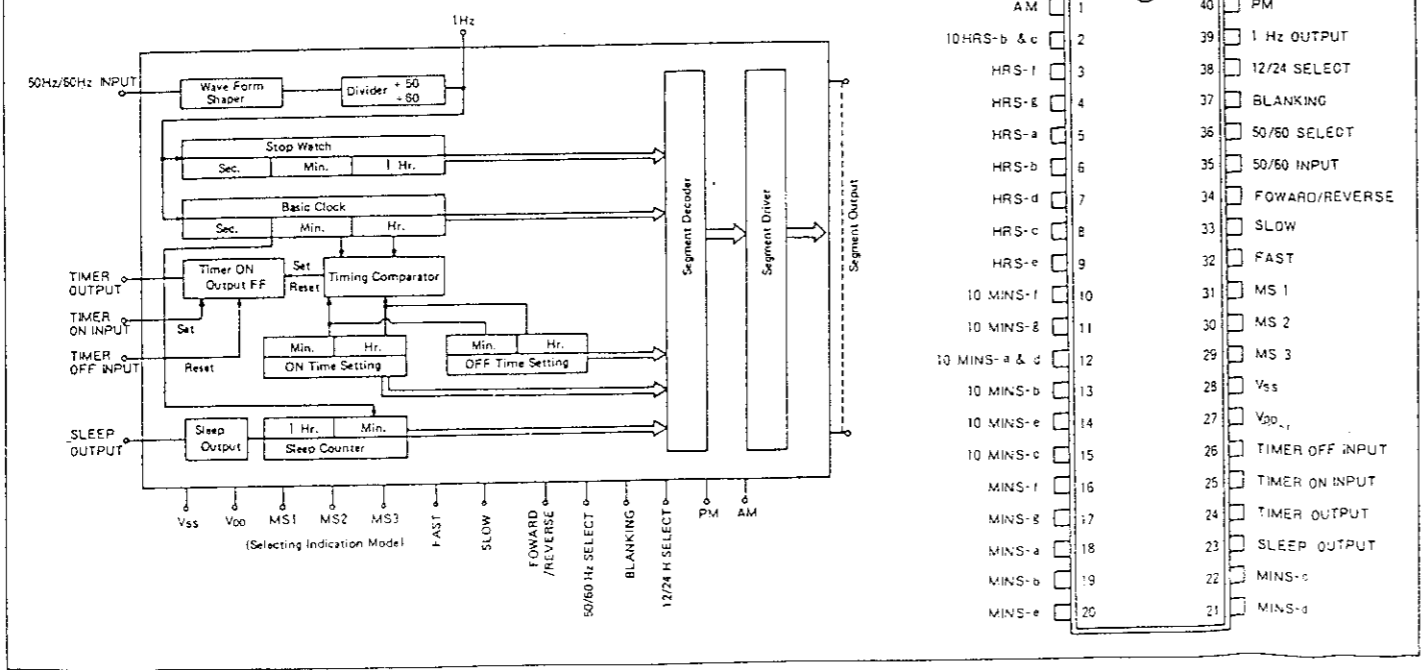
2SC945A



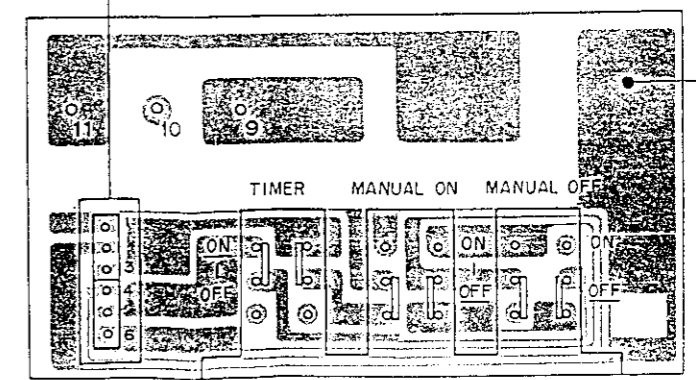
6. P.C. BOARD CONNECTION DIAGRAM



MN6076 BLOCK DIAGRAM



SWITCH Ass'y (GWS-256)



7. PARTS LIST

NOTES:

- When ordering resistors, first convert resistance values into code form as shown in the following examples.
Ex. 1 When there are 2 effective digits (any digit apart from 0), such as 560 ohm and 47k ohm (tolerance is shown by J=5%, and K=10%).
 560Ω 56 × 10¹ 561..... RD4PS 560 J
 57kΩ 47 × 10³ 473..... RD4PS 470 J
 0.5Ω 0R5 RN2H 050 K
 1Ω 010 RS1P 010 K
Ex. 2 When there are 3 effective digits (such as in high precision metal film resistors).
 5.62kΩ 562 × 10¹ 5621 RN4SR 562 F
- The Δ mark found on some component parts indicates the importance of the safety factor of the part. Therefore, when replacing, be sure to use parts of identical designation.
- For your Parts Stock Control, the fast moving items are indicated with the marks ** and *.
 ** GENERALLY MOVES FASTER THAN *
 This classification shall be adjusted by each distributor because it depends on model number, temperature, humidity, etc.

7.1 TIMER ASSEMBLY (GWX-526)

SWITCHES

Mark	Part No.	Symbol & Description	Mark	Part No.	Symbol & Description
**	ASG-163	S2-S5 Tact switch	*	10E2	D1, D2
**	ASD-080	S6 Rotary switch		(1S1886)	
**	ASH-024	S8 Slide switch	*	AEL-334	D3
			*	AEL-330	D4
			*	1S2473	D5-D7, D9
				(1S2076)	
			*	MZ-150	D8
				(WZ-150)	

CAPACITORS

Mark	Part No.	Symbol & Description
	CEA 101M 35L	C1, C2
	CEA 221M 16L	C3
	CEA 470M 50L	C4
	CEA 470M 25L	C5
	CKDYB 222K 50	C6, C7

OTHER

Mark	Part No.	Symbol & Description
*	AAV-014	V1 Fluorescent indicator tube

RESISTORS

NOTE: When ordering resistors, convert the resistance value into code form, and then rewrite the part no. as before.

Mark	Part No.	Symbol & Description
	RD4PM 000 J	R1-R10

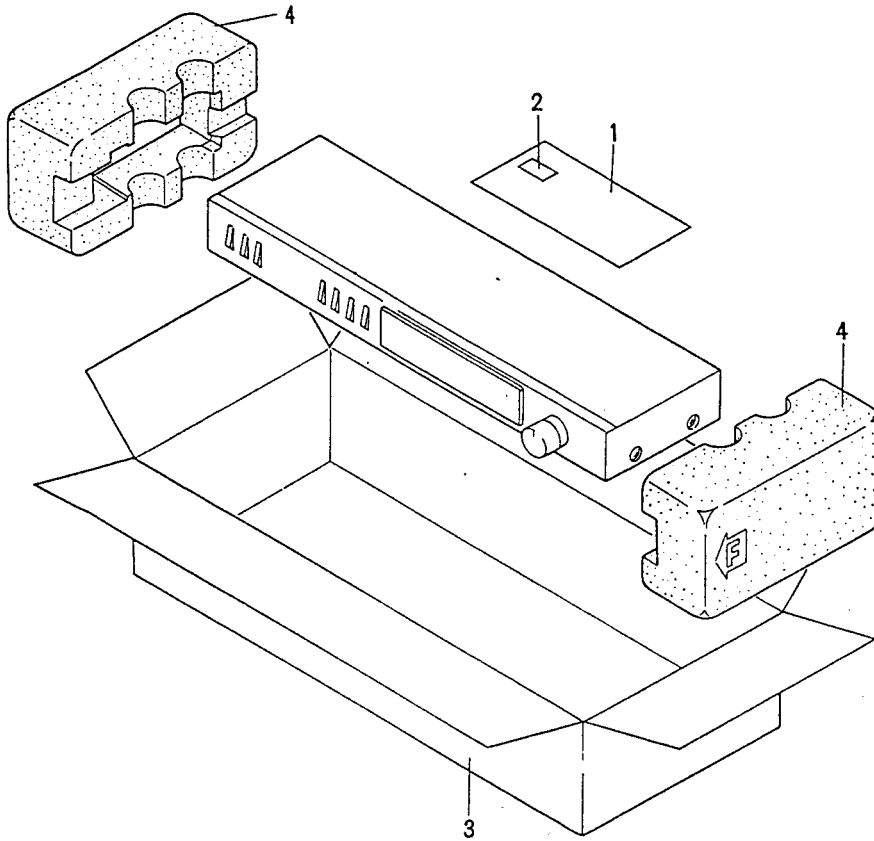
7.2 SWITCH ASSEMBLY (GWS-256)

Mark	Part No.	Symbol & Description	Part N
**	ASG-258	S1 Push switch	ROW

SEMICONDUCTORS

Mark	Part No.	Symbol & Description
**	MN6076	Q1
**	2SC1915	Q2
**	2SC945A	Q3

PACKING



Parts list

Mark	No.	Part No.	Description
	1.	ARB-409	Operating instructions
	2.	AEA-049	Rubber cushion assembly
	3.	AHD-909	Packing case
	4.	AHA-256	Side pad
	5.	AHX-018	Master box

ADDITIONAL

 PIONEER®

Service Manual



AUDIO DIGITAL TIMER

DT-510 KU

1. CONTRAST OF MISCELLANEOUS PARTS

NOTES:

- Parts without part number cannot be supplied.
- The Δ mark found on some component parts indicates the importance of the safety factor of the part. Therefore, when replacing, be sure to use parts of identical designation.
- For your Parts Stock Control, the fast moving items are indicated with the marks **★★** and **★**.
★★ GENERALLY MOVES FASTER THAN ★
 This classification shall be adjusted by each distributor because it depends on model number, temperature, humidity, etc.

Mark	Symbol & Description	Part No.			Remarks
		S type	S/G type	KU type	
	Timer assembly	GWX-526	GWX-526	GWX-527	
	Switch assembly	GWS-256	GWS-256	GWS-257	
Δ ★★ RL1	Relay	ASR-502	ASR-502	ASR-503	
Δ ★★ S9	Line voltage selector	AKX-063	AKX-063	
Δ ★ T1	Power transformer	ATT-724	ATT-724	ATT-722	
Δ	AC power cord	ADG-046	ADG-046	ADG-052	
	Operating instructions	ARB-409	ARB-409	ARB-410	

2. SPECIFICATIONS

Time display Digital display with fluorescent display tube

Timer type 24-hour type (AM/PM, 12-hour display)

Timer setting Only one ON/OFF time setting in minimum units of minutes within a 24-hour period

Sleep timer Setting in minimum units of minutes up to 1 hour 59 minutes

Time accuracy Synchronized with line frequency

Timer accuracy Within ± 0.1 sec. of time displayed

Sleep timer accuracy Within 59 sec. of set time

Power section, others

Power requirements AC 120 V 60 Hz

AC outlets Total of 2 outlets, 1,200 W max. capacity power (500 W for audio equipment)

Power consumption 6 W

Other functions

- AC OUTLET "on" display (red LED lights)
- Timer operation display (green LED lights)
- Power failure display (time display winks)

Dimensions 420 (W) x 50 (H) x 144 (D) mm

16.9/16 (W) x 2 (H) x 5.11/16 (D) in

Weight 1.7 kg (3 lb 12 oz)

Accessories

Operating Instructions 1

NOTE:

Specifications and design are subject to possible modification without notice due to improvements.

3. PARTS LIST

NOTES:

- When ordering resistors, first convert resistance values into code form as shown in the following examples.

Ex. 1 When there are 2 effective digits (any digit apart from 0), such as 560 ohm and 47k ohm (tolerance is shown by J=5%, and K=10%).

560Ω	56 × 10 ¹	561.....	RD½PS	561 J
57kΩ	47 × 10 ³	473.....	RD½PS	473 J
0.5Ω	0R5	RN2H	050 K
1Ω	010	RS1P	010 K

Ex. 2 When there are 3 effective digits (such as in high precision metal film resistors).

5.62kΩ	562 × 10 ¹	5621	RN½SR	562 F
--------	-----------------------	-----------	-------	-------

- The Δ mark found on some component parts indicates the importance of the safety factor of the part. Therefore, when replacing, be sure to use parts of identical designation.
- For your Parts Stock Control, the fast moving items are indicated with the marks **★★** and *****.
★★ **GENERALLY MOVES FASTER THAN ***
 This classification shall be adjusted by each distributor because it depends on model number, temperature, humidity, etc.

257)

3.1 TIMER ASSEMBLY (GWX-527)

SWITCHES

Mark	Part No.	Symbol & Description
★★	ASG-163	S2-S5 Tact switch
★★	ASD-080	S6 Roatry switch

CAPACITORS

Mark	Part No.	Symbol & Description
	CEA 101M 35L	C1, C2
	CEA 221M 16L	C3
	CKDYB 222K 50	C6, C7
	CEA 470M 25L	C5
	CEA 470M 50L	C4

RESISTORS

NOTE: When ordering resistors, convert the resistance value into code form, and then rewrite the part no. as before.

Mark	Part No.	Symbol & Description
	FD½PM □□□J	R1-R10

SEMICONDUCTORS

Mark	Part No.	Symbol & Description
★★	MN6076	Q1
★★	2SC1915	Q2
★★	2SC945A	Q3
*	10E2 (1S1886)	D1, D2
*	AEL-334	D3
*	AEL-330	D4
*	1S2473 (1S2076)	D5-D7, D9
*	MZ-150 (WZ-150)	D8

OTHER

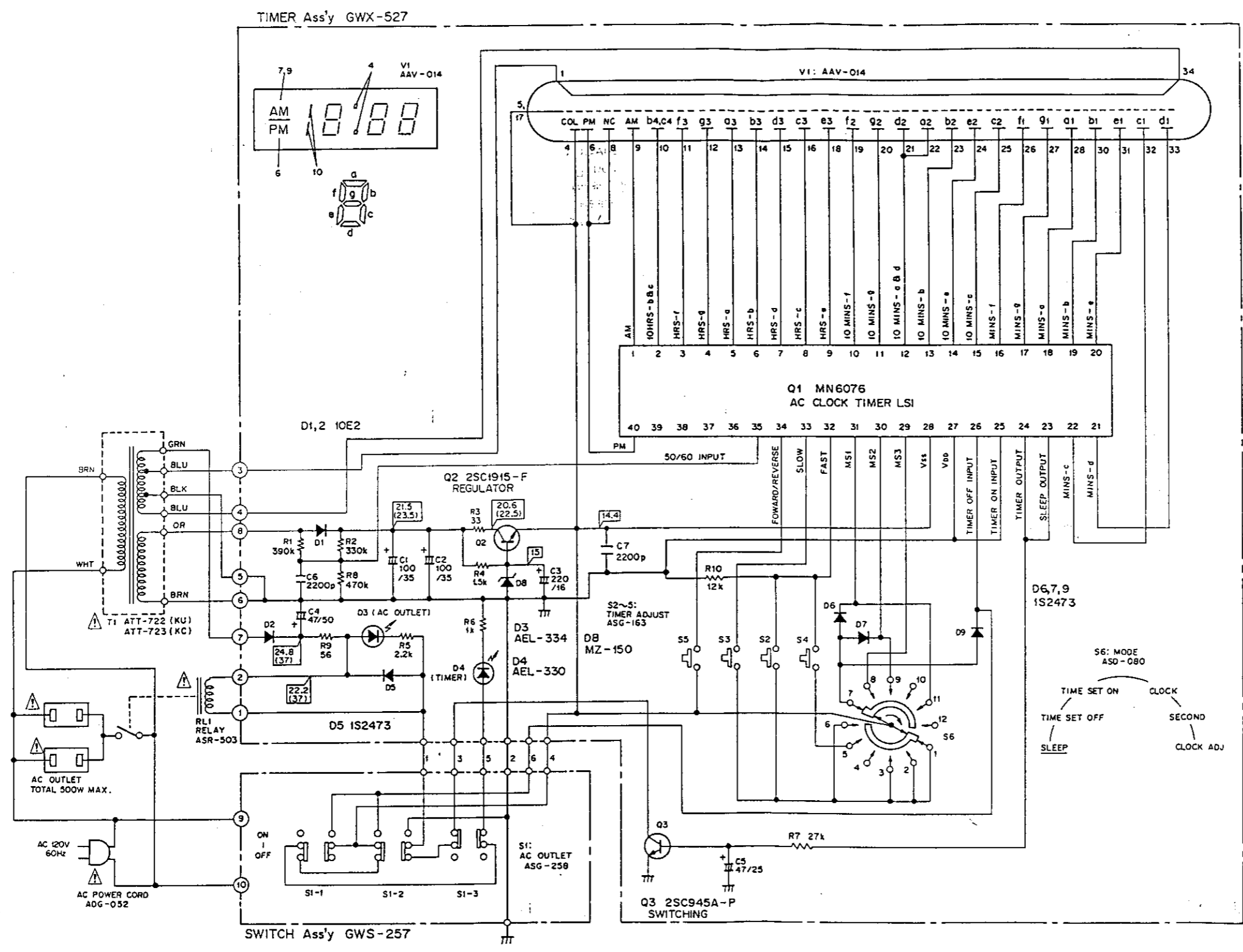
Mark	Part No.	Symbol & Description
*	AAV-014	V1 Fluorescent indicator tube

3.2 SWITCH ASSEMBLY (GWS-257)

Mark	Part No.	Symbol & Description
★★	ASG-258	S1 Push switch

4. SCHEMATIC DIAGRAM

NOTE:
 The indicated semiconductors are representative ones only. Other alternative semiconductors may be used and are listed in the parts list.



1. RESISTORS:
 Indicated in Ω, ¼W, ±5% tolerance unless otherwise noted k : kΩ, M : MΩ, (F) : ±1%, (G) : ±2%, (K) : ±10% tolerance

2. CAPACITORS:
 Indicated in capacity (µF)/voltage (V) unless otherwise noted p : pF
 Indication without voltage is 50V except electrolytic capacitor.

3. VOLTAGE:
 □ : DC voltage (V) at TIMER, RELAY ON.
 Value in () is DC voltage at AC OUTLET OFF.

4. OTHERS:
 The Δ mark found on some component parts indicates the importance of the safety factor of the part. Therefore, when replacing, be sure to use parts of identical designation.

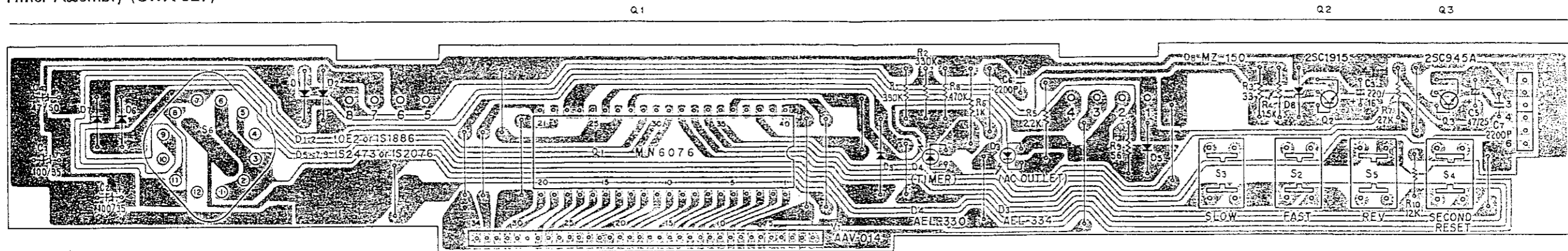
- SWITCHES:**
- S1-1 : AC OUTLET (OFF) ON - OFF
 - S1-2 : AC OUTLET (ON) ON - OFF
 - S1-3 : AC OUTLET (TIMER) ON - OFF
 - S2 : TIME ADJUST (FAST) ON - OFF
 - S3 : TIME ADJUST (SLOW) ON - OFF
 - S4 : TIME ADJUST (SEC RESET) ON - OFF
 - S5 : TIME ADJUST (REV) ON - OFF
 - S6 : MODE
 SLEEP - TIMER SET OFF - TIMER SET ON -
 CLOCK - SECOND - CLOCK ADJUST

The underlined indicates the switch position.

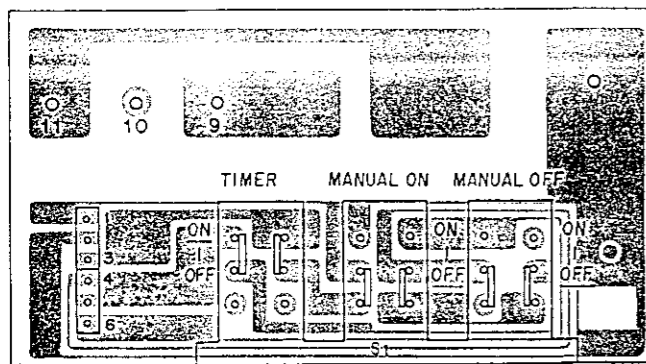
This is the basic schematic diagram, but the actual circuit may vary due to improvements in design.

5. P.C.BOARD PATTERNS

Timer Assembly (GWX-527)



Switch Assembly (GWS-257)



ADDITIONAL

 PIONEER®

Service Manual

ORDER NO.
ART-745-0

AUDIO DIGITAL TIMER

DT-510

NE, YB

MODEL DT-510 COMES IN SIX VERSIONS DISTINGUISHED AS FOLLOWS:

Type	Voltage	Remarks
KU	120V only	U.S.A model
KC	120V only	Canada model
S	110V, 120V, 220V and 240V (Switchable)	General export model
S/G	110V, 120V, 220V and 240V (Switchable)	U.S. Military model
YB	240V only	United Kingdom model
NE	220V only	Europe model

- This additional service manual is applicable to the DT 510/YB, NE.
- The basic performance of the DT-510/YB, NE types are the same as the DT-510/S type. Please refer to the DT-510/S type service manual (ART-744) with exception of this supplements.

1. SPECIFICATIONS

Time display Digital display with fluorescent display tube

Timer type 24-hour type (24-hour display)

Timer setting Only one ON/OFF time setting in minimum units of minutes within a 24-hour period

Sleep timer Setting in minimum units of minutes up to 1 hour 59 minutes

Time accuracy Synchronized with line frequency

Timer accuracy Within ± 0.1 sec. of time displayed

Sleep timer accuracy Within 59 sec. of set time

Power section, others

Power requirements NE model; AC 220 V, 50 Hz
YB model; AC 240 V, 50 Hz

AC outlet capacity power 500 W max. (inductive load)

Power consumption 6 W

Other functions

- AC OUTLET "on" display (red LED lights)
- Timer operation display (green LED lights)
- Power failure display (time display winks)

Dimensions 420 (W) x 50 (H) x 144 (D) mm
16-9/16 (W) x 2 (H) x 5-11/16 (D) in

Weight 1.7 kg (3 lb 12 oz)

Accessories

Operating Instructions (English/German/French/Italian) 1

NOTE:

Specifications and design are subject to possible modification without notice due to improvements.

PIONEER ELECTRONIC CORPORATION 4-1, Meguro 1-Chome, Meguro-ku, Tokyo 153, Japan
U.S. PIONEER ELECTRONICS CORPORATION 85 Oxford Drive, Moonachie, New Jersey 07074, U.S.A.
PIONEER ELECTRONIC (EUROPE) N.V. Luthagen-Haven 9, 2030 Antwerp, Belgium
PIONEER ELECTRONICS AUSTRALIA PTY. LTD. 17B-184 Boundary Road, Braeside, Victoria 3195, Australia

FU © APR. 1981 Printed in Japan

2. CONTRAST OF MISCELLANEOUS PARTS

NOTES:

- *Parts without part number cannot be supplied.*
- *The \triangle mark found on some component parts indicates the importance of the safety factor of the part. Therefore, when replacing, be sure to use parts of identical designation.*
- *For your Parts Stock Control, the fast moving items are indicated with the marks **★★** and **★**.*
★★ GENERALLY MOVES FASTER THAN ★
This classification shall be adjusted by each distributor because it depends on model number, temperature, humidity, etc.

Mark	Symbol & Description	Part No.			Remarks
		S type	YB type	NE type	
	Timer assembly	GWX-526	GWX-525	GWX-525	
	Switch assembly	GWS-256	GWS-255	GWS-255	
\triangle	AC socket (AC OUTLETS)	AKP-040	AKP-044	AKP-026	
\triangle ★★	S9 Line voltage selector	AKX-063	
\triangle ★★	S7 Power switch	ASH-501	ASH-501	
\triangle ★	T1 Power transformer	ATT-724	ATT-726	ATT-713	
\triangle ★★	RL1 Relay	ASR-502	ASR-501	ASR-501	
\triangle	AC power cord	ADG-046	ADG-051	ADG-041	
\triangle ★★	FU1 Fuse (T 2.5A)	AEK-403	
	Operating instructions	ARB-409	ARD-162	ARD-162	
	Front panel assembly	ANM-020	ANM-031	ANM-031	
	Packing case	AHD-909	AHD-912	AHD-912	

3. PARTS LIST

3.1 TIMER ASSEMBLY (GWX-525)

Mark	Part No.	Symbol & Description
★★	ASG-163	S2-S5 Tact switch
★★	ASD-080	S6 Rotary switch

CAPACITORS

Mark	Part No.	Symbol & Description
	CEA 101M 35L	C1,C2
	CEA 221M 16L	C3
	CEA 470M 50L	C4
	CEA 470M 25L	C5
	CKDYB 222K 50	C6,C7

RESISTORS

NOTE: When ordering resistors, convert the resistance value into code form, and then rewrite the part no. as before.

Mark	Part No.	Symbol & Description
	RD¼PM □□□J	R1-R10

SEMICONDUCTORS

Mark	Part No.	Symbol & Description
★★	MN6076	Q1
★★	2SC1915	Q2
★★	2SC945A	Q3
★	10E2 (1S1886)	D1,D2
★	AEL-334	D3
★	AEL-330	D4
★	1S2473 (1S2076)	D5-D7,D9
★	MZ-150 (WZ-150)	D8

OTHER

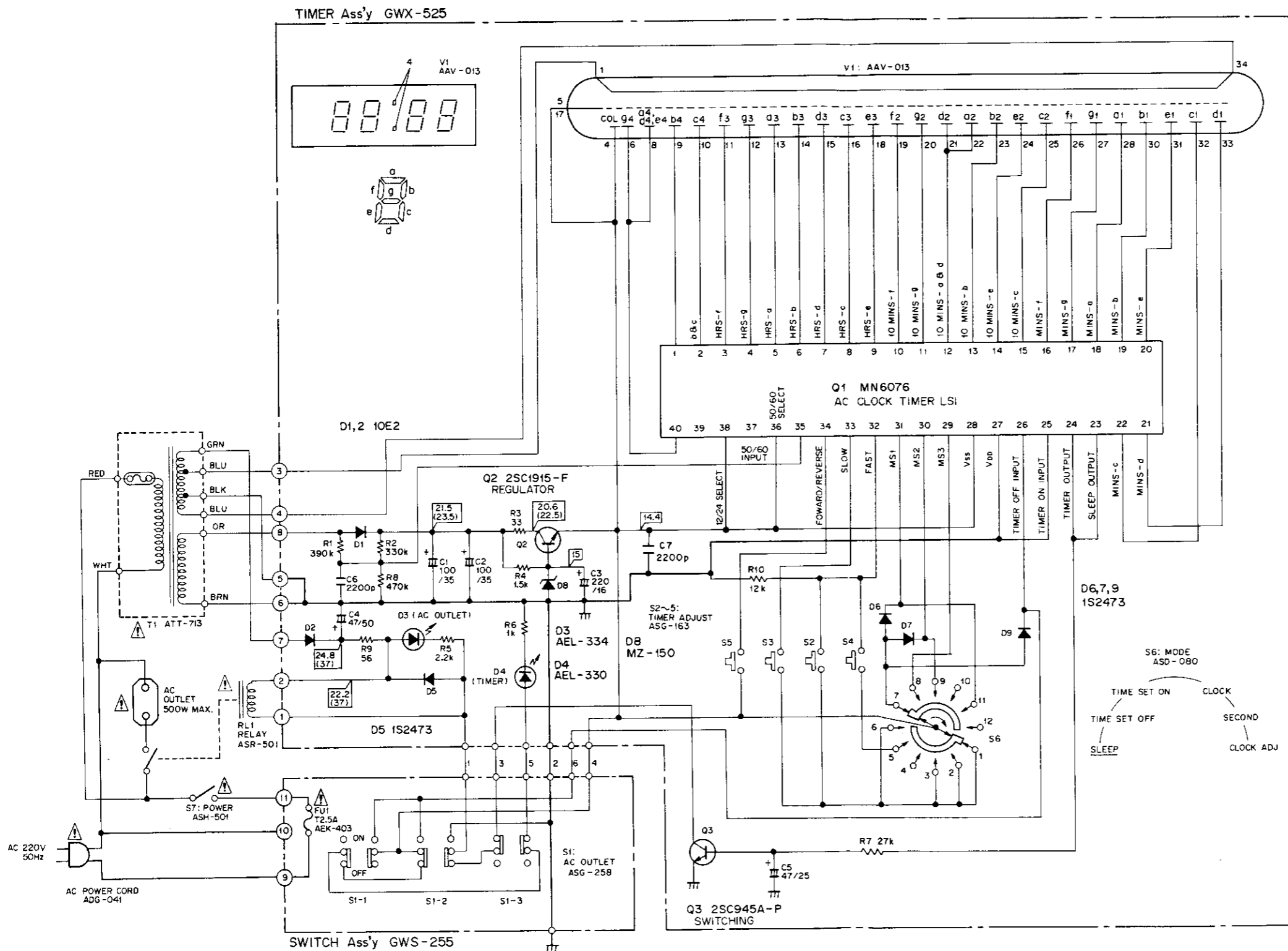
Mark	Part No.	Symbol & Description
★	AAV-013	V1 Fluorescent indicator tube

3.2 SWITCH ASSEMBLY (GWS-255)

Mark	Part No.	Symbol & Description
★★	ASG-258	S1 Push switch

4. SCHEMATIC DIAGRAM

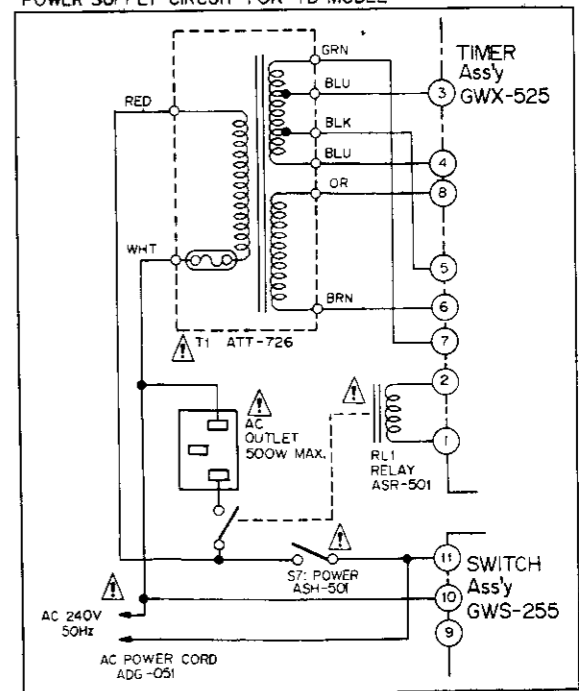
NOTE:
The indicated semiconductors are representative ones only. Other alternative semiconductors may be used and are listed in the parts list.



1. RESISTORS:
Indicated in Ω , $\frac{1}{4}W$, $\pm 5\%$ tolerance unless otherwise noted k : k Ω , M : M Ω , (F) : $\pm 1\%$, (G) : $\pm 2\%$, (K) : $\pm 10\%$ tolerance
 2. CAPACITORS:
Indicated in capacity (μF)/voltage (V) unless otherwise noted p : pF
Indication without voltage is 50V except electrolytic capacitor.
 3. VOLTAGE

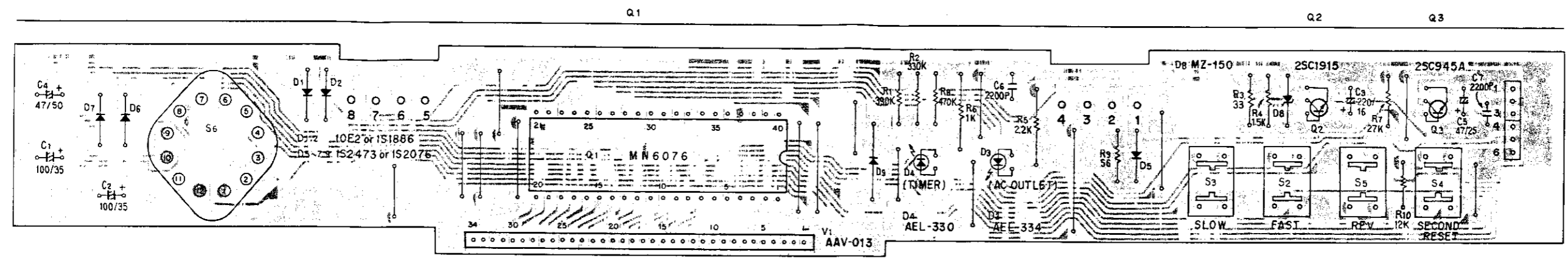
□	: DC voltage (V) at TIMER, RELAY ON.
()	: DC voltage at AC OUTLET OFF.
 4. OTHERS:
The Δ mark found on some component parts indicates the importance of the safety factor of the part. Therefore, when replacing, be sure to use parts of identical designation.
- SWITCHES:**
- | | | |
|------|---------------------------|---|
| S1-1 | : AC OUTLET (OFF) | ON - OFF |
| S1-2 | : AC OUTLET (ON) | ON - OFF |
| S1-3 | : AC OUTLET (TIMER) | ON - OFF |
| S2 | : TIME ADJUST (FAST) | ON - OFF |
| S3 | : TIME ADJUST (SLOW) | ON - OFF |
| S4 | : TIME ADJUST (SEC RESET) | ON - OFF |
| S5 | : TIME ADJUST (REV) | ON - OFF |
| S6 | : MODE | SLEEP - TIMER SET OFF - TIMER SET ON -
CLOCK - SECOND - CLOCK ADJUST |
| S7 | : POWER | ON - OFF |
- The underlined indicates the switch position.

POWER SUPPLY CIRCUIT FOR YB MODEL



5. P.C.BOARD PATTERNS

Timer Assembly (GWX-525)



Switch Assembly (GWS-255)

