

In this photo you can see Model SA-6800

Service Manual

STEREO AMPLIFIER

SA-6800

SA-608

 **PIONEER®**

3. SCHEMATIC DIAGRAM, P.C. BOARD PATTERNS AND

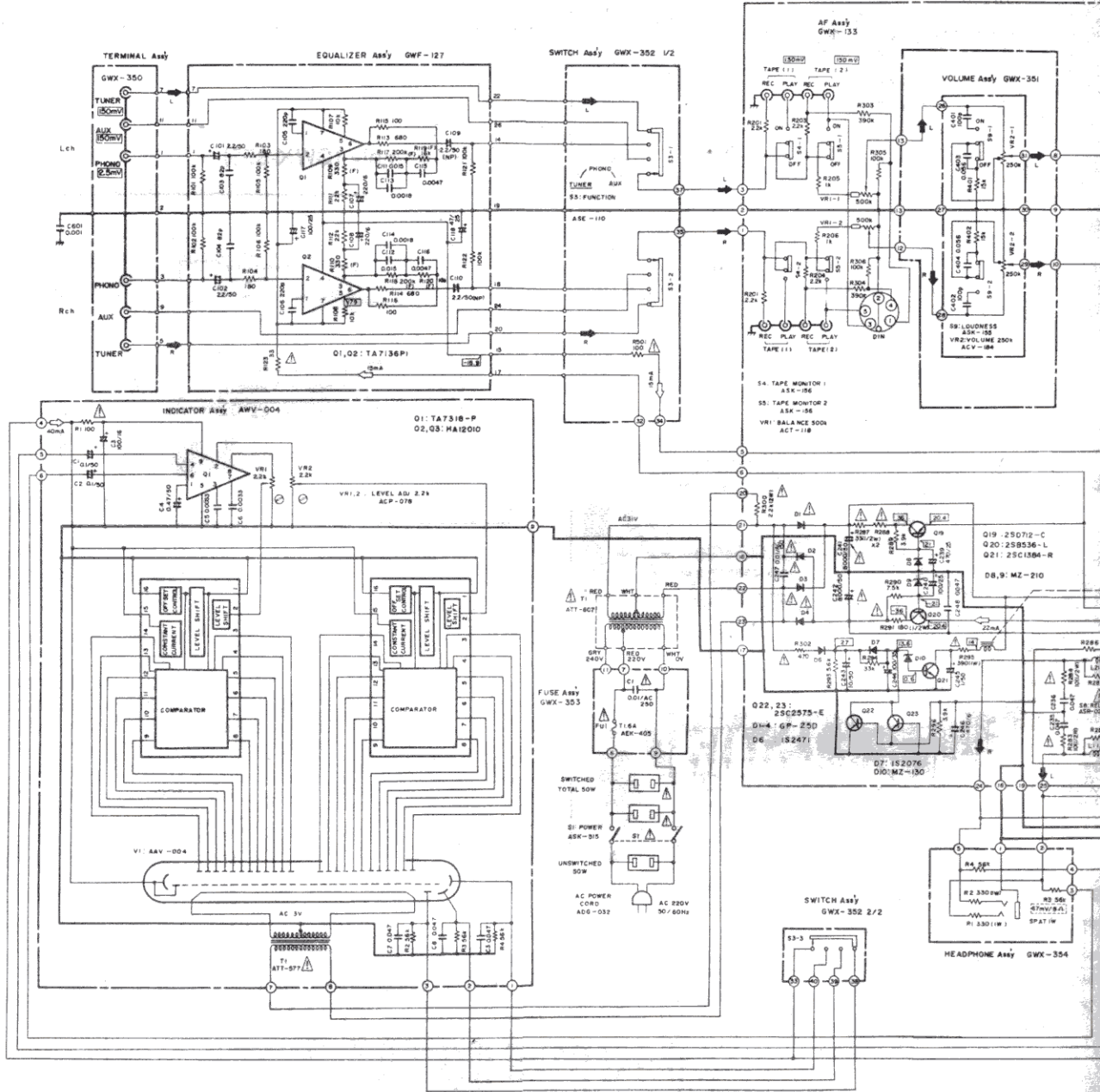
3.1 SCHEMATIC DIAGRAM

A

B

C

D



1

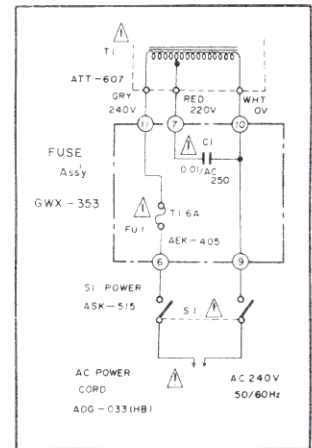
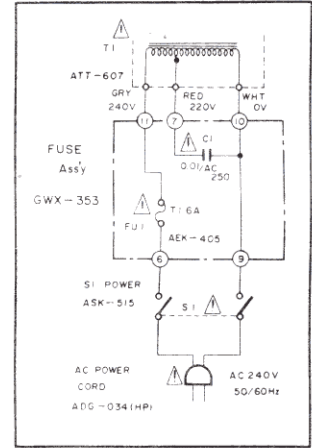
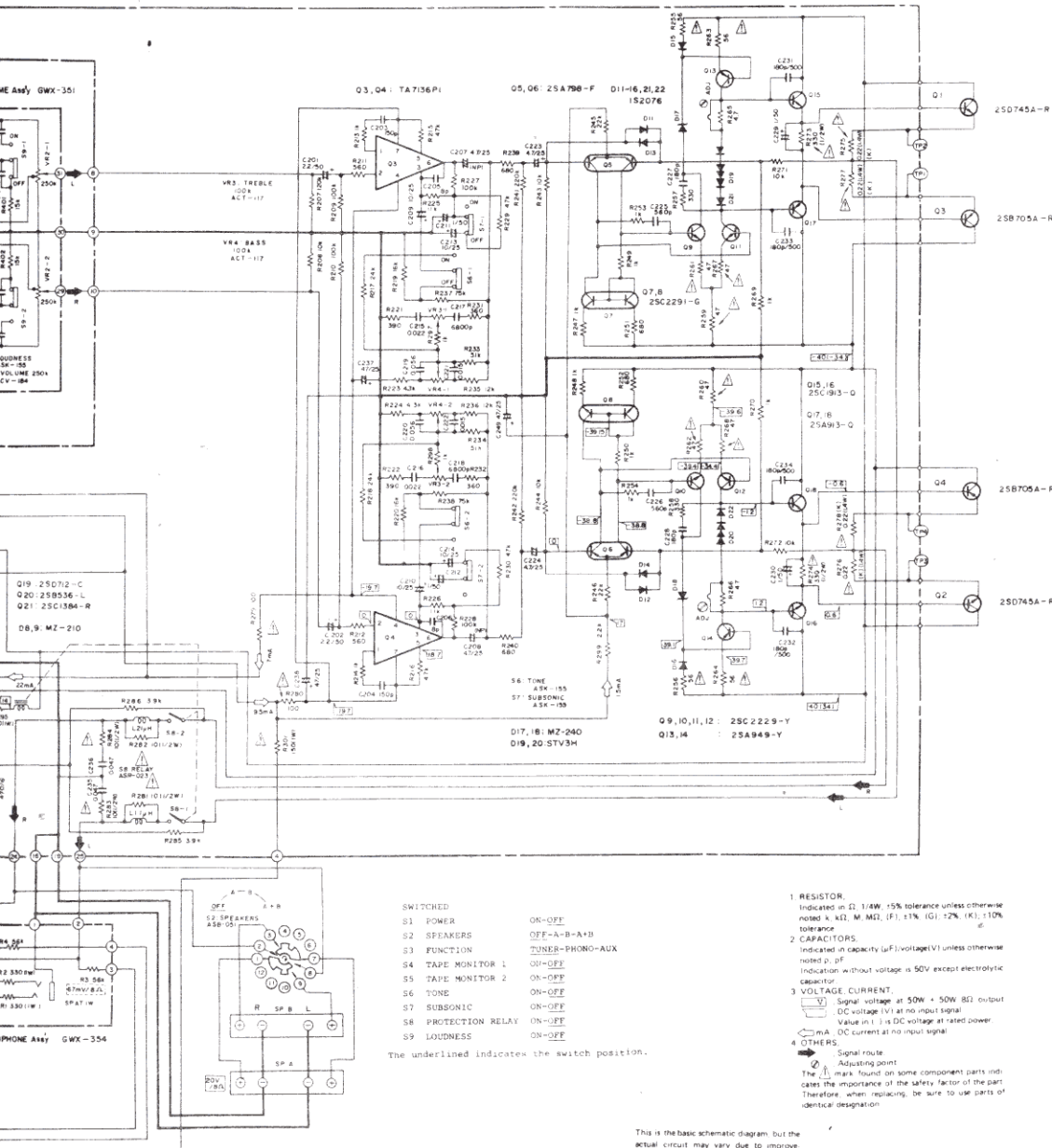
2

3

S AND PARTS LIST

NOTE:

The indicated semiconductors are representative ones only. Other alternative semiconductors may be used and are listed in the parts list.



- RESISTOR:** Indicated in Ω, 1/4W, ±5% tolerance unless otherwise noted; k Ω, M, MΩ, (F), 1/2W, (G), 1/2W, (K), 10% tolerance.
- CAPACITORS:** Indicated in capacity (μF), voltage (V) unless otherwise noted; pF. Indication without voltage is 50V except electrolytic capacitor.
- VOLTAGE, CURRENT:** Signal voltage at 50W + 50W (R) output; DC voltage (V) at no input signal; Value in () is DC voltage at rated power; mA, CC current at no input signal.
- OTHERS:** Signal route; Adjusting point; The (I) mark found on some component parts indicates the importance of the safety factor of the part. Therefore, when replacing, be sure to use parts of identical designation.

A
B
C
D