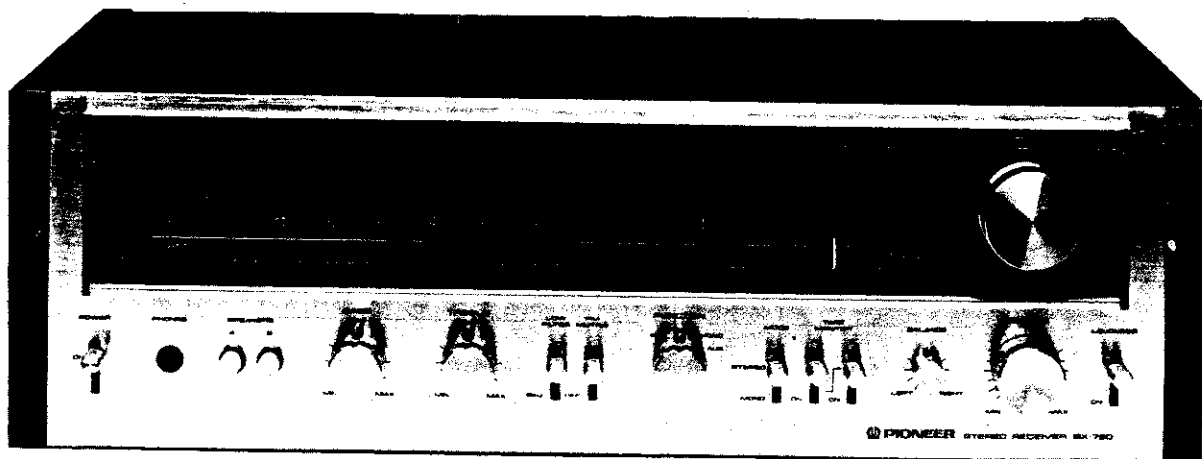


AM/FM STEREO RECEIVER

SX-790

HG
HGW₄

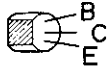
SERVICE MANUAL



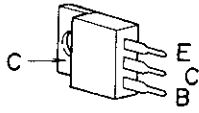
 **PIONEER®**

External Appearance of Transistors and ICs

2SA750
2SC1775A
2SC945A
2SA893A



2SD712



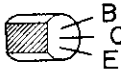
2SC1735
2SA850



2SK34



2SC1885
2SA912
2SC1384



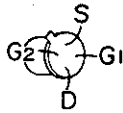
2SK117



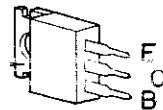
2SA726S
2SA904A
2SC1914A



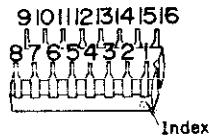
3SK59



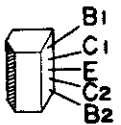
2SA968
2SB536
2SD325



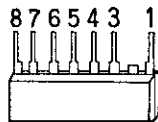
PA3001-A
PA1001-A
HA1197



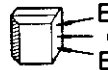
2SA979



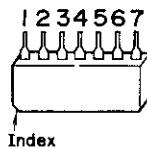
PA3004
HA1457



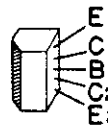
2SC461
2SC535A



TA7136P1

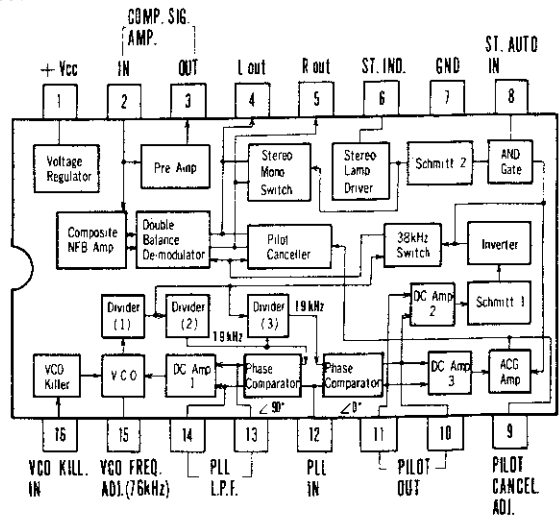


2SC2291

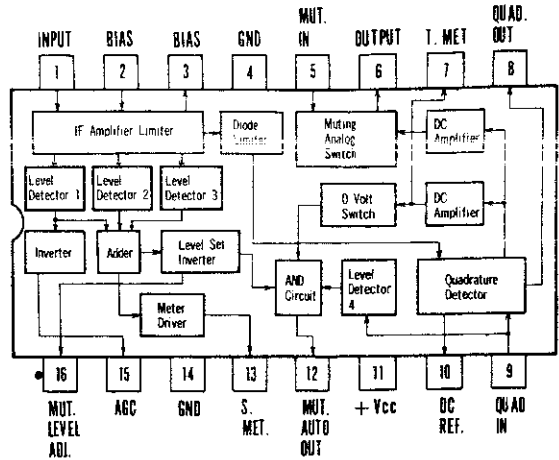


Block Diagram of ICs

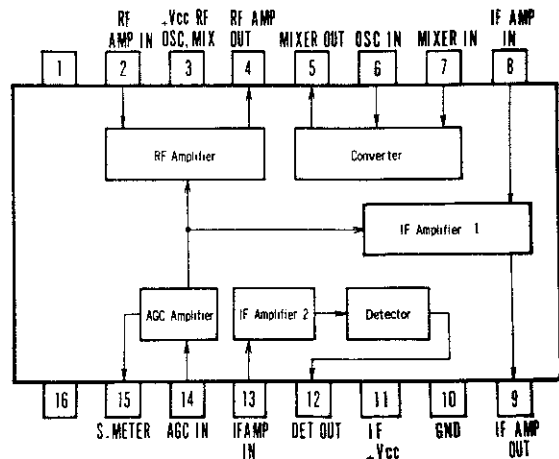
PA1001-A



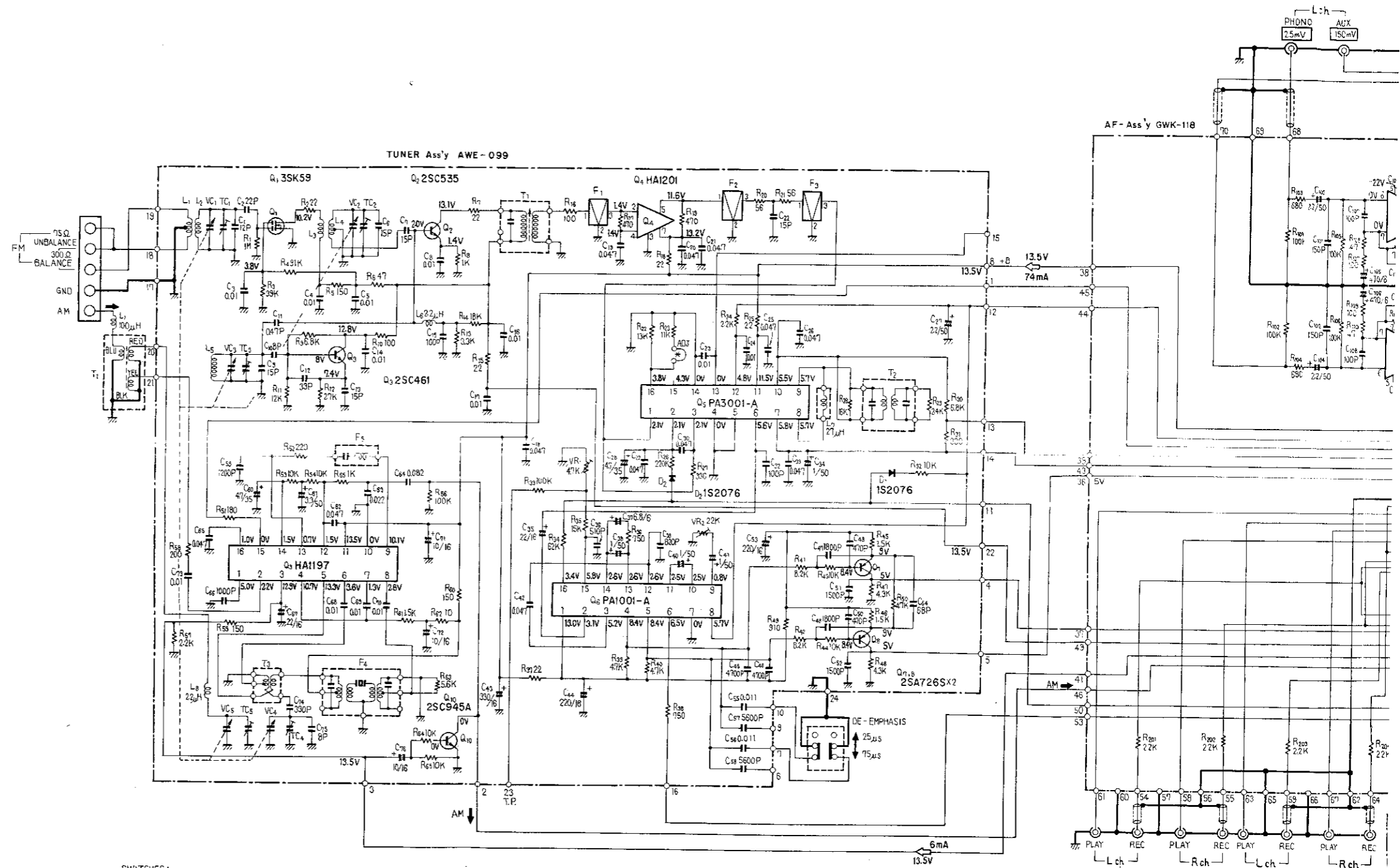
PA3001-A



HA1197



SCHMATIC DIAGRAM



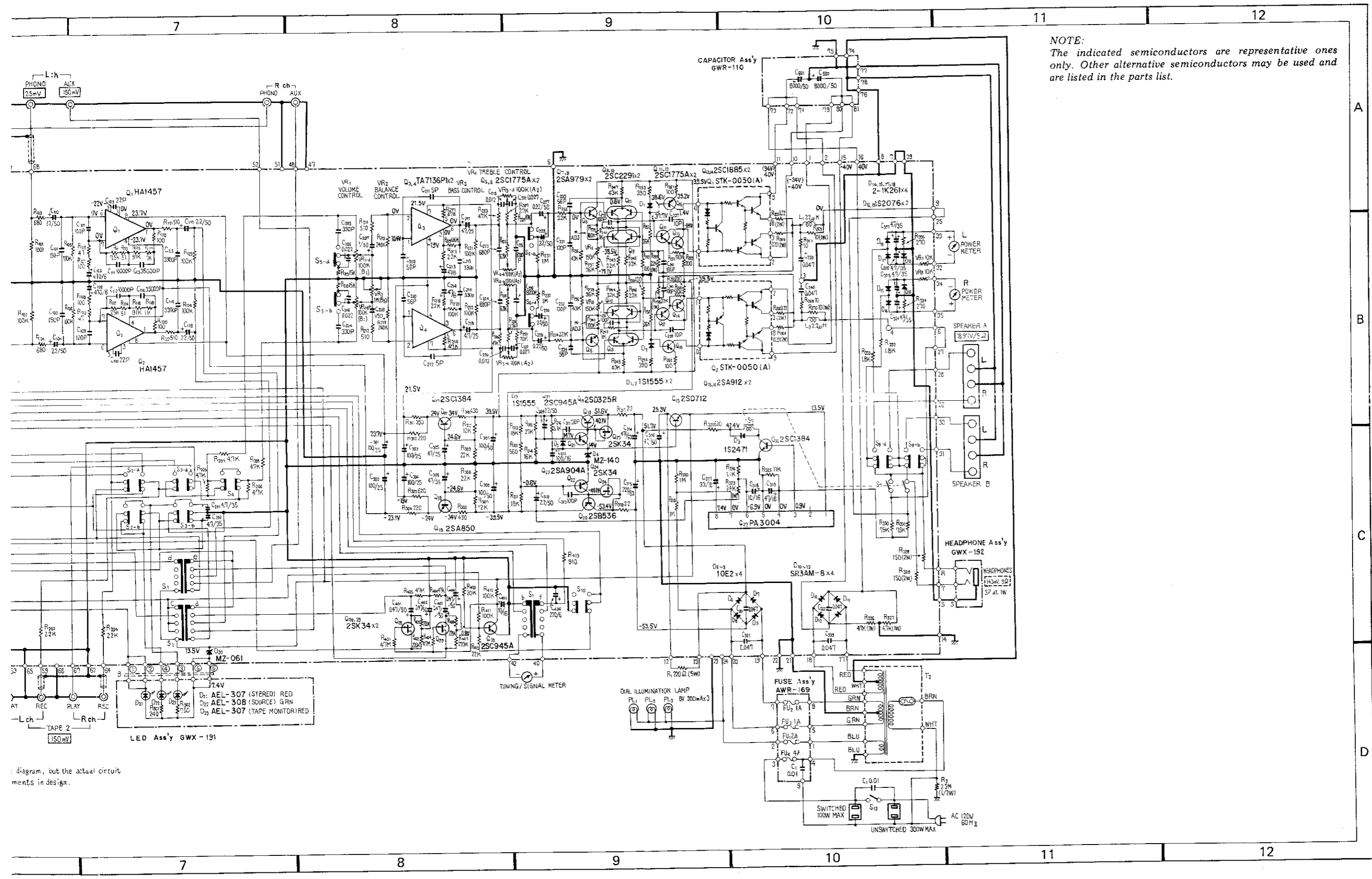
- SWITCHES:
- | | | | | | | | | | |
|-------------------------|-------------------------------|-------------------------------|---------------------|-------------------------|---------------------------|---------------------------------|----------------------------|-------------------------------|----------------------|
| S ₁ FUNCTION | S ₂ TAPE MONITOR 1 | S ₃ TAPE MONITOR 2 | S ₄ MODE | S ₅ LOUDNESS | S ₆ LOW FILTER | S ₇ PROTECTION RELAY | S _{8-a} SPEAKER A | S _{8-b} SPEAKER B | S ₉ POWER |
| 1 AM | OFF — ON | OFF — ON | STEREO — MONO | OFF — ON | OFF — 15Hz | OFF — ON | OFF — ON | OFF — ON | OFF — ON |
| 2 FM | | | | | | OFF — ON | | | |
| 3 PHONO | | | | | | OFF — ON | | | |
| 4 AUX | | | | | | OFF — ON | | | |
| | S ₂ TAPE MONITOR 1 | S ₅ LOUDNESS | | | | | S _{8-a} SPEAKER A | S ₁₁ DE — EMPHASIS | |
| | OFF — ON | OFF — ON | | | | | OFF — ON | 75μs — 25μs | |

RESISTORS:
 IN OHM 1/4W ±5% TOLERANCE UNLESS OTHERWISE NOTED
 K: kΩ M: MΩ

CAPACITORS:
 IN μF UNLESS OTHERWISE NOTED P: pF

⊖ : SIGNAL VOLTAGE AT 45W + 45W 8Ω OUTPUT (1kHz)
 V : DC VOLTAGE AT NO INPUT SIGNAL
 mA : DC CURRENT AT NO INPUT SIGNAL
 (V) : DC VOLTAGE AT 45W OUTPUT

This is the basic schematic diagram, but the actual circuit may vary due to improvements in design.

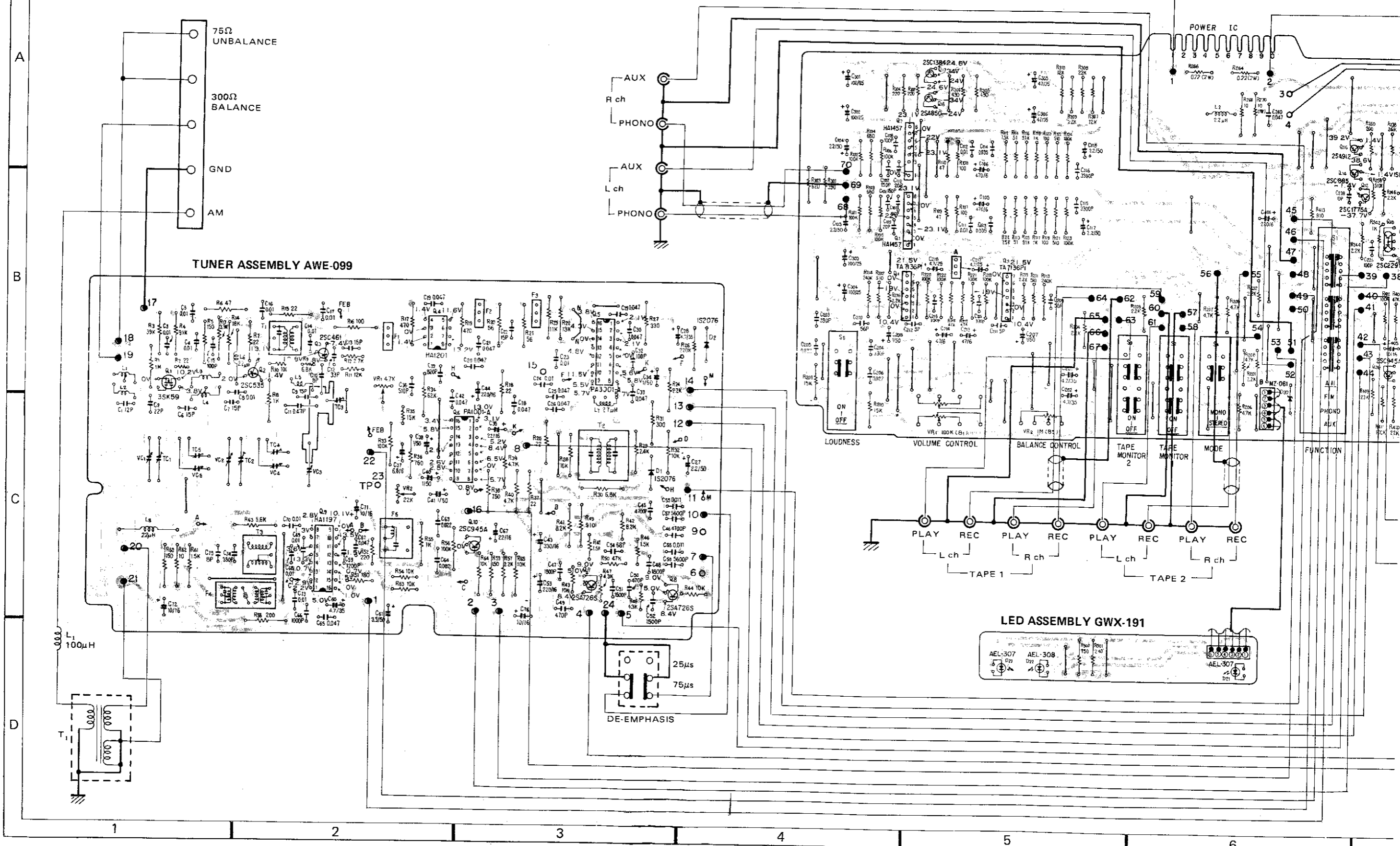


NOTE:
The indicated semiconductors are representative ones only. Other alternative semiconductors may be used and are listed in the parts list.

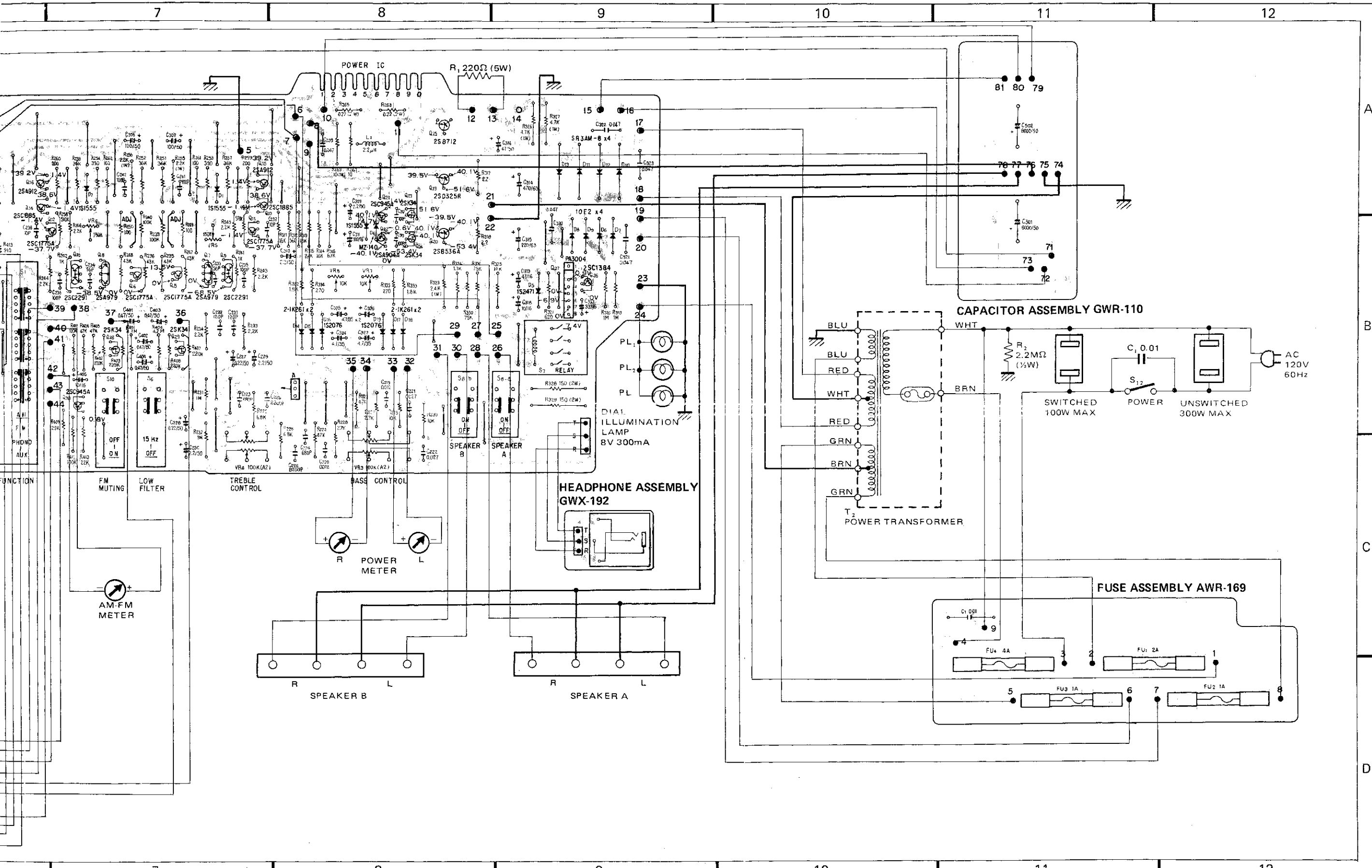
Diagram, but the actual circuit components in design.

SX-790

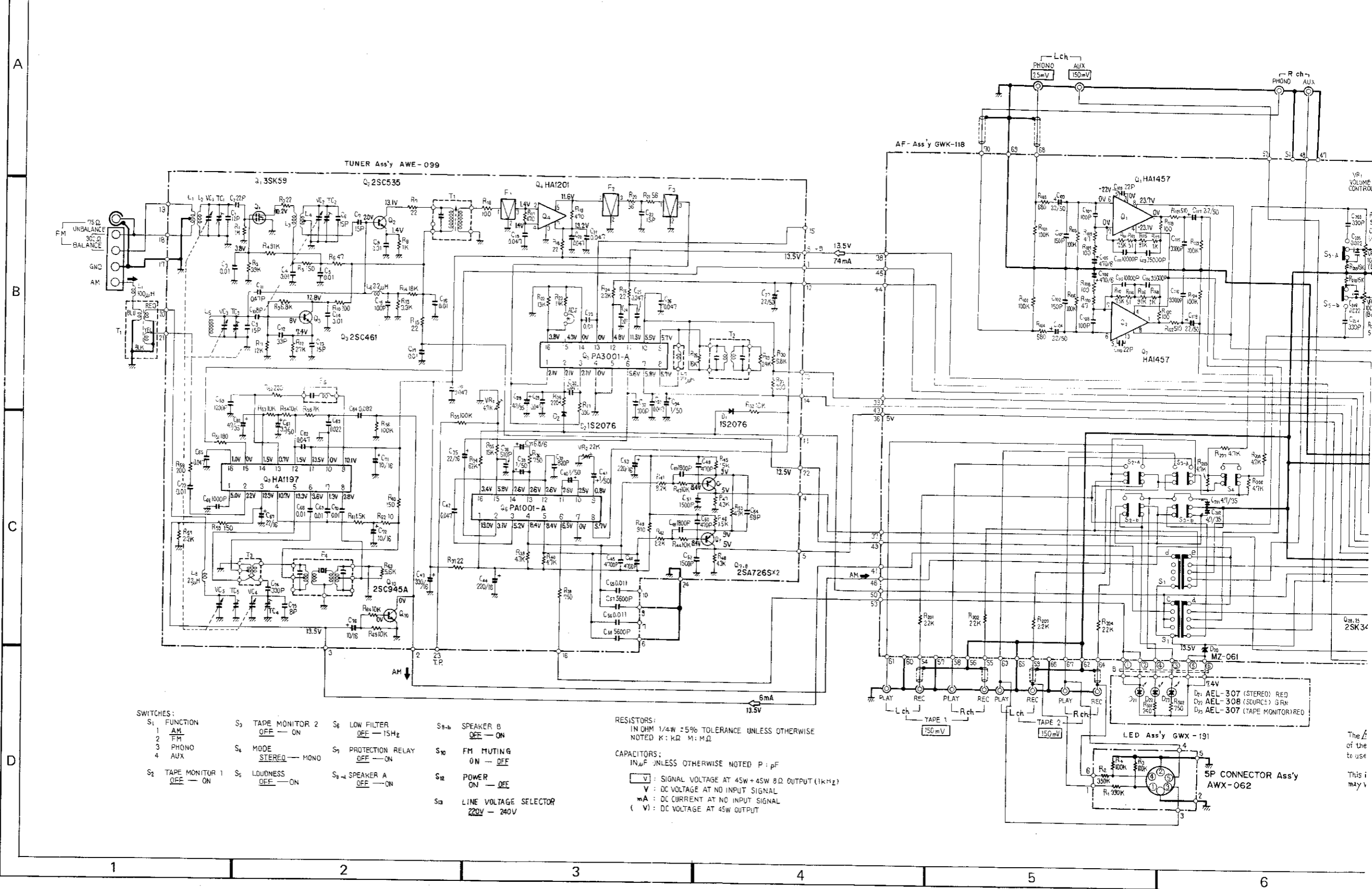
P.C. BOARD CONNECTION DIAGRAM



SX-790



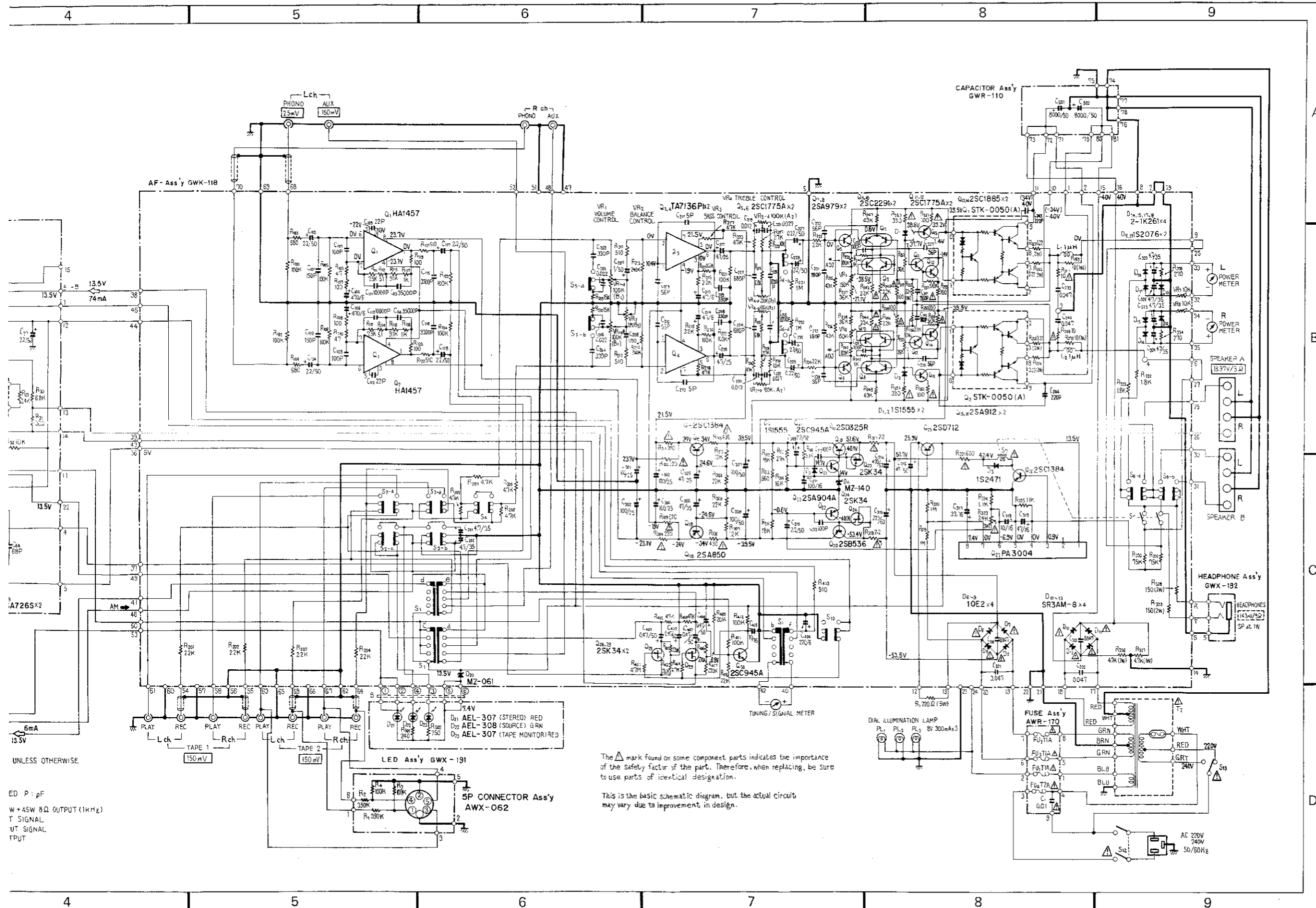
SCHEMATIC DIAGRAM



- SWITCHES:**
- S₁ FUNCTION
 - 1 AM
 - 2 FM
 - 3 PHONO
 - 4 AUX
 - S₂ TAPE MONITOR 1
 - OFF — ON
 - S₃ TAPE MONITOR 2
 - OFF — ON
 - S₄ MODE
 - STEREO — MONO
 - S₅ LOUDNESS
 - OFF — ON
 - S₆ LOW FILTER
 - OFF — 15Hz
 - S₇ PROTECTION RELAY
 - OFF — ON
 - S_{8-a} SPEAKER A
 - OFF — ON
 - S_{8-b} SPEAKER B
 - OFF — ON
 - S₁₀ FM MUTING
 - ON — OFF
 - S₁₂ POWER
 - ON — OFF
 - S₁₃ LINE VOLTAGE SELECTOR
 - 220V — 240V

- RESISTORS:**
 IN OHM 1/4W ±5% TOLERANCE UNLESS OTHERWISE NOTED K: KΩ M: MΩ
- CAPACITORS:**
 IN μF UNLESS OTHERWISE NOTED P: pF
- V: SIGNAL VOLTAGE AT 45W +45W 8Ω OUTPUT (1kHz)
 V: DC VOLTAGE AT NO INPUT SIGNAL
 mA: DC CURRENT AT NO INPUT SIGNAL
 (V): DC VOLTAGE AT 45W OUTPUT

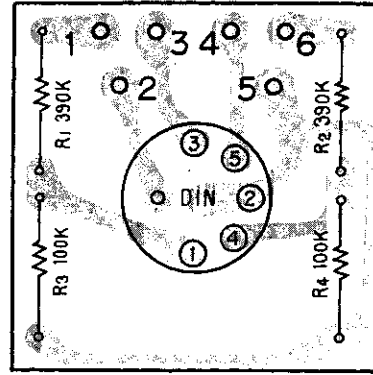
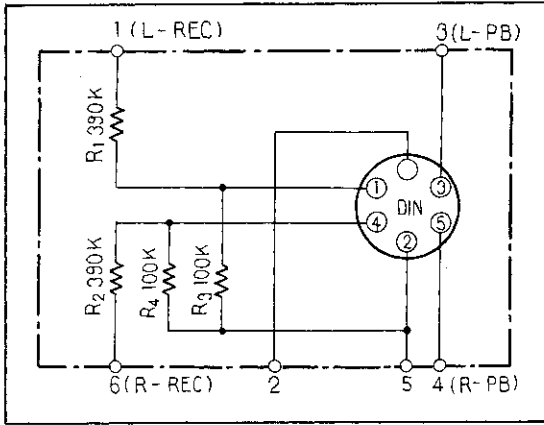
The $\frac{1}{2}$ of the tube
 This may



UNLESS OTHERWISE
 ED P: pF
 W + 45W 8Ω OUTPUT (1kHz)
 T SIGNAL
 U? SIGNAL
 FPUT

The Δ mark found on some component parts indicates the importance of the safety factor of the part. Therefore, when replacing, be sure to use parts of identical designation.
 This is the basic schematic diagram, but the actual circuit may vary due to improvement in design.

CONNECTOR ASSEMBLY (AWX-062)



FUSE ASSEMBLY (AWR-170)

