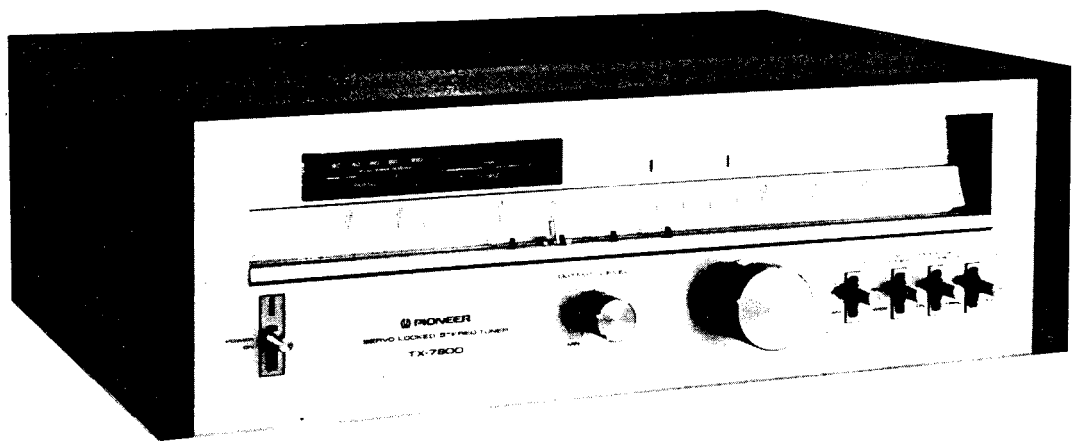


AM/FM STEREO TUNER

TX-7800

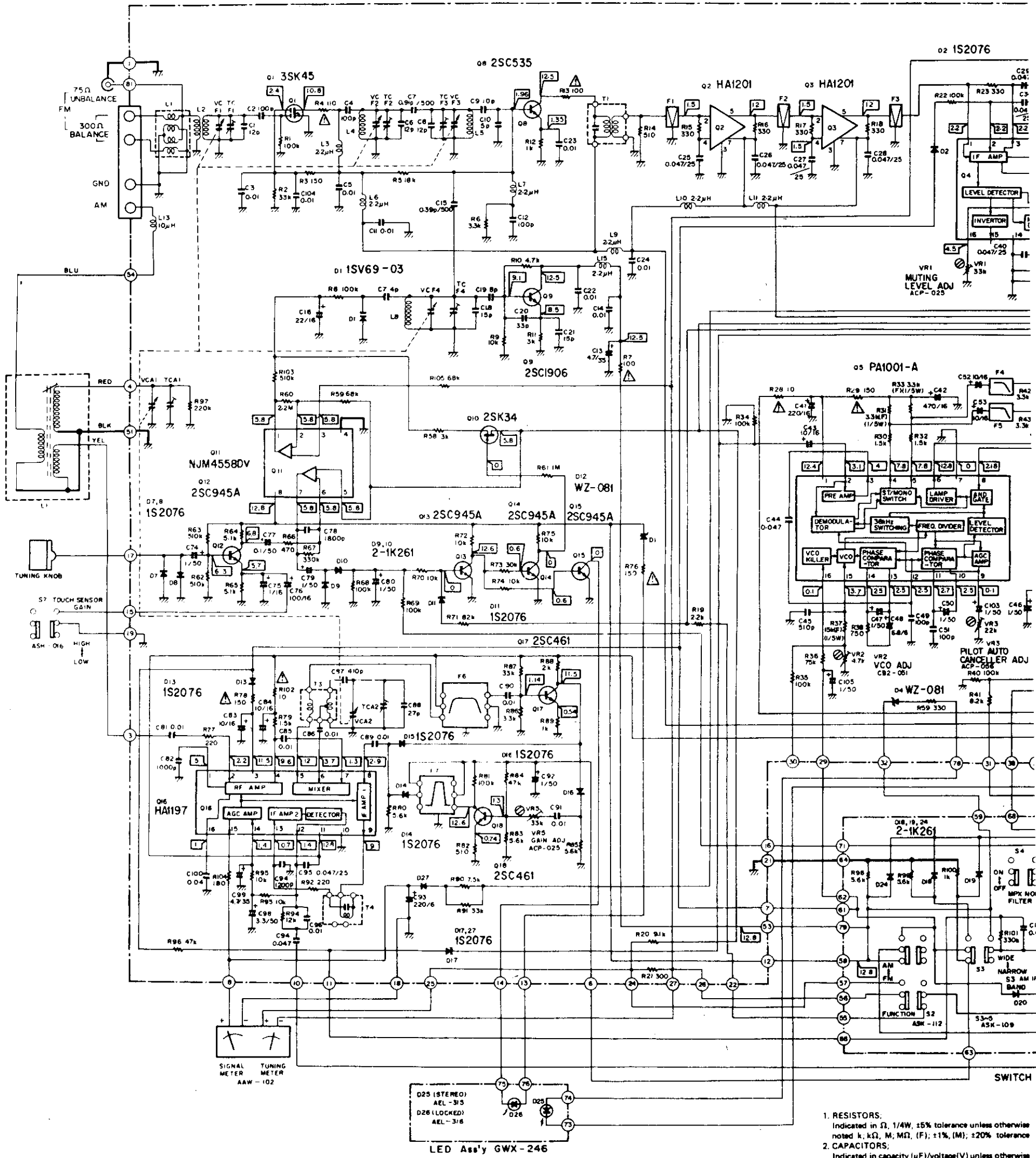
SERVICE MANUAL



 PIONEER®

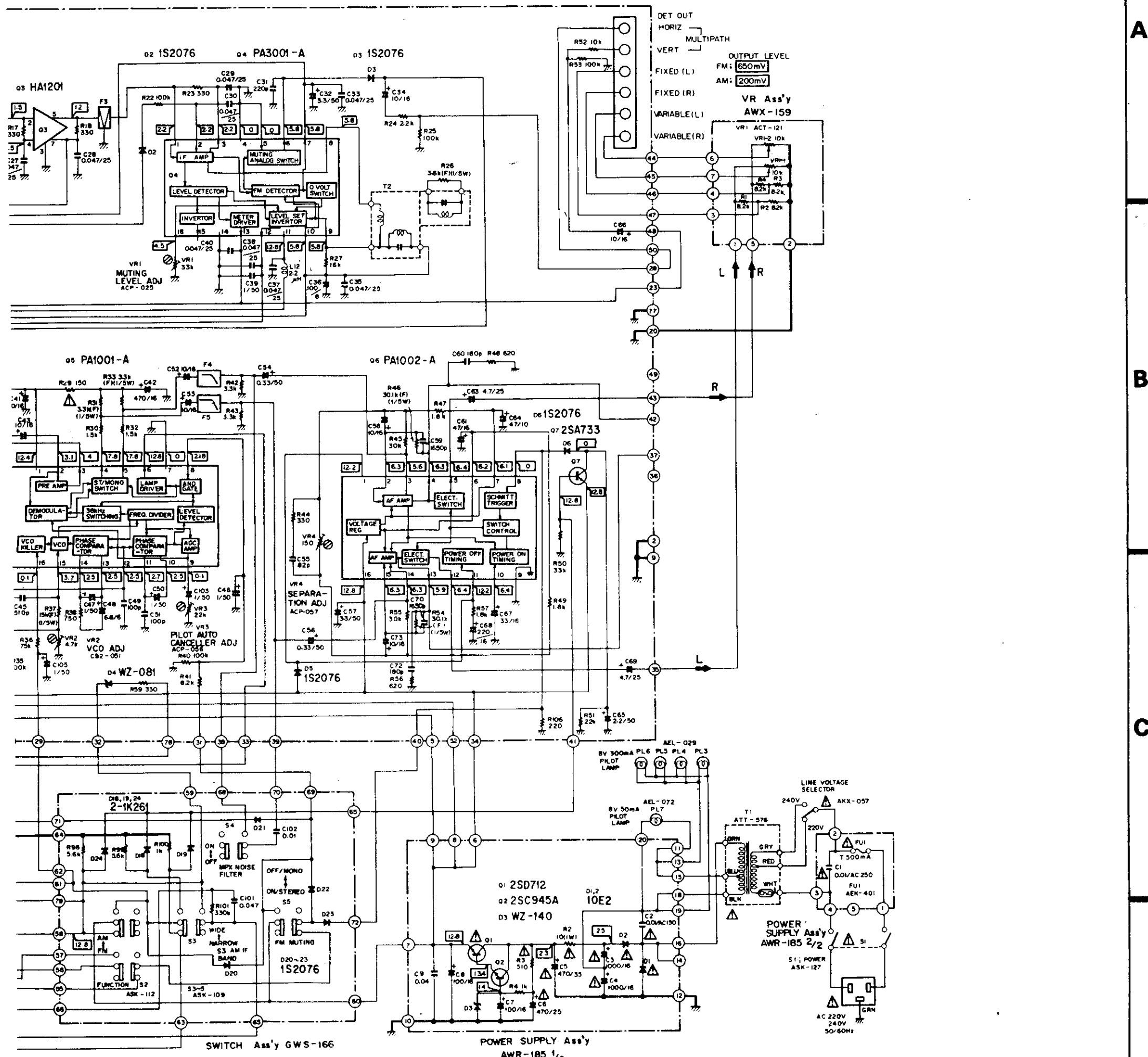
SCHEMATIC DIAGRAM

TUNER Ass'y GWE-112



1. RESISTORS:
Indicated in Ω , 1/4W, $\pm 5\%$ tolerance unless otherwise noted k, k Ω , M, M Ω , (F); $\pm 1\%$, (M); $\pm 20\%$ tolerance
2. CAPACITORS:
Indicated in capacity (μ F)/voltage(V) unless otherwise noted p; pF
Indication without voltage is 50V except electrolytic capacitor.

NOTE:
The indicated semiconductors are representative ones only. Other alternative semiconductors may be used and are listed in the parts list.



1. RESISTORS:
Indicated in Ω , 1/4W, 5% tolerance unless otherwise noted k, $k\Omega$, M, $M\Omega$, (F); $\pm 1\%$, (M); $\pm 20\%$ tolerance

2. CAPACITORS:
Indicated in capacity (μF)/voltage(V) unless otherwise noted p, pF
Indication without voltage is 50V except electrolytic capacitor.

3. VOLTAGE, CURRENT,
DC voltage (V) at no input signal
mV: Signal voltage at FM 400Hz, 75kHz DEV.

4. OTHERS:
Signal route.
Adjusting point

SWITCHES:
S1 POWER ON - OFF
S2 FUNCTION AM - FM
S3 AM IF BAND WIDE - NARROW
S4 MPX NOISE FILTER ON - OFF
S5 FM MUTING/MODE OFF/MONO - ON/STEREO
S7 TOUCH SENSOR GAIN HIGH - LOW

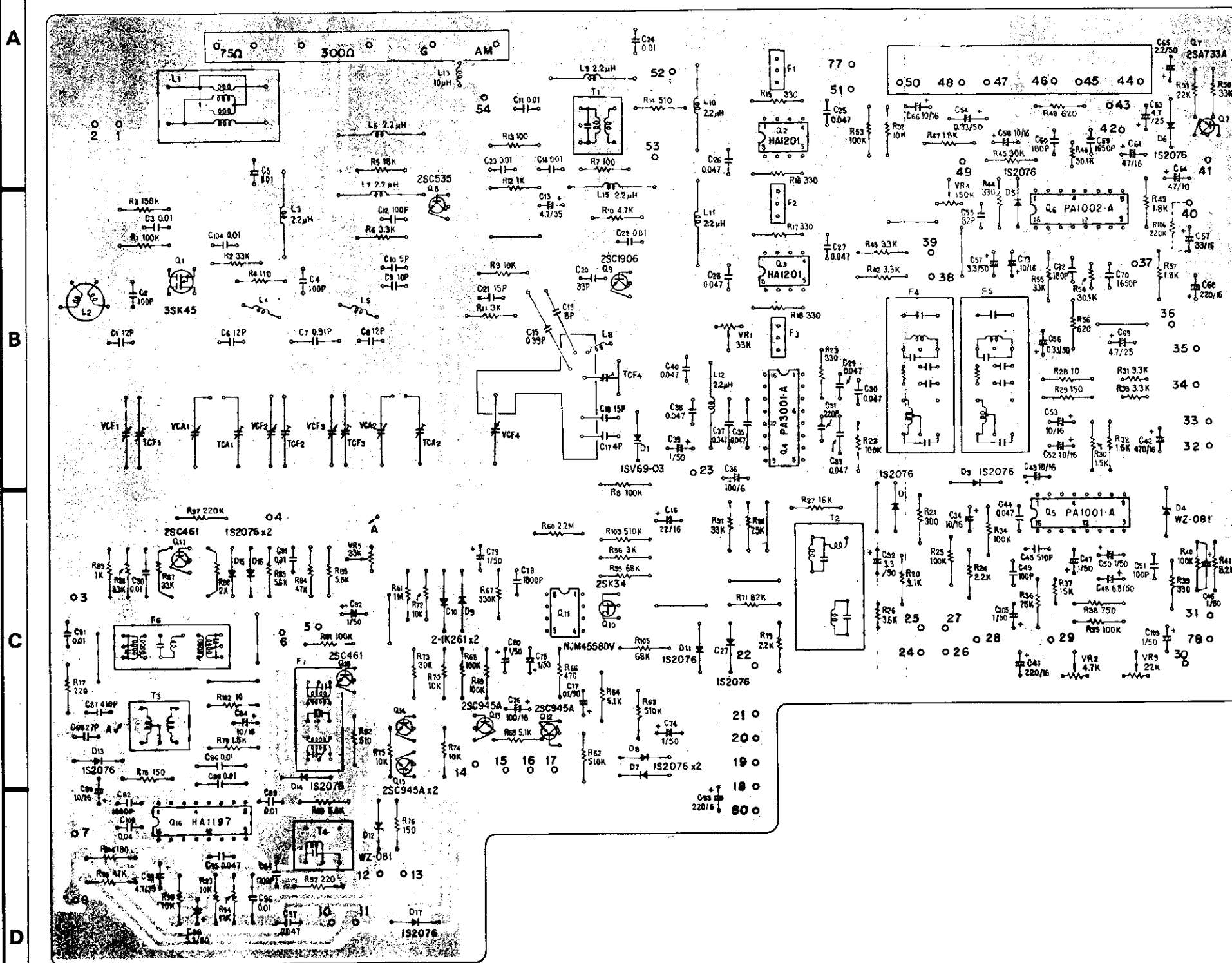
The underlined indicates the switch position.

This is the basic schematic diagram, but the actual circuit may vary due to improvements in design.

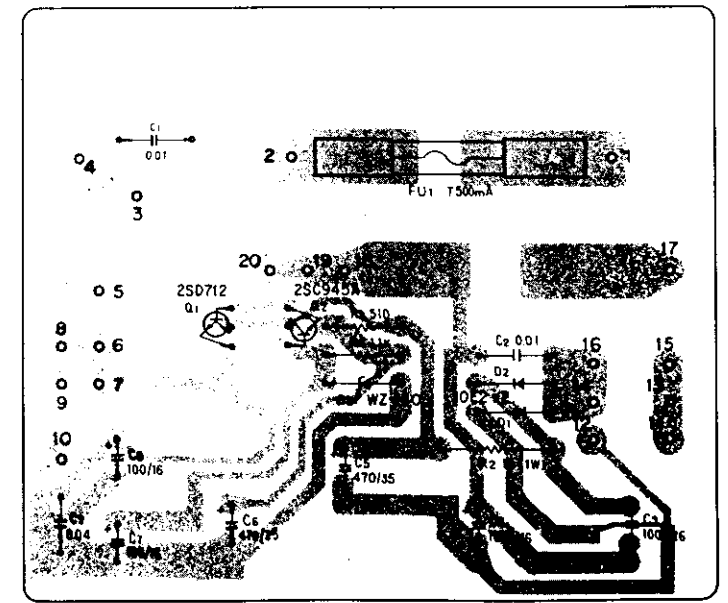
The Δ mark found on some component part indicates the importance of the safety factor of the part. Therefore, when replacing, be sure to use parts of identical designation.

P.C. BOARDS

Tuner Assembly (GWE-112)

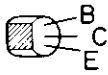


Power Supply Assembly (AWR-185)



External Appearance of Transistors and ICs

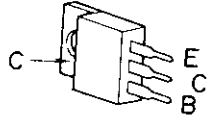
2SA733A-Q
2SC945A
2SC1906



2SC461-B
2SC535-B



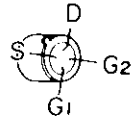
2SD712-D



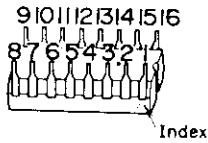
2SK34-C



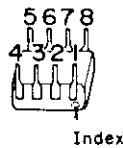
3SK45-B



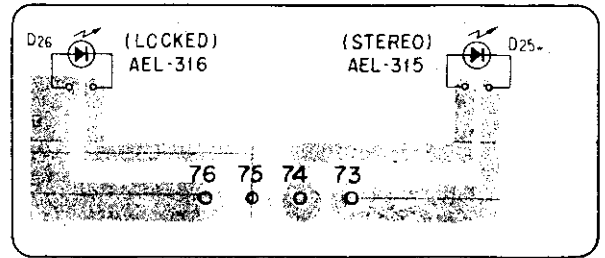
PA1001-A
PA1002-A
PA3001-A
HA1197



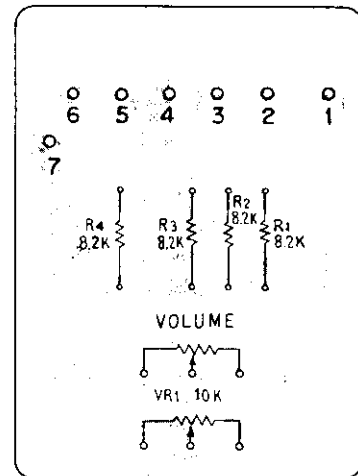
HA1201
NKM4558DV



LED Ass'y (GWX-245)



VR Ass'y (AWX-159)



SWITCH Ass'y (GWS-165)

