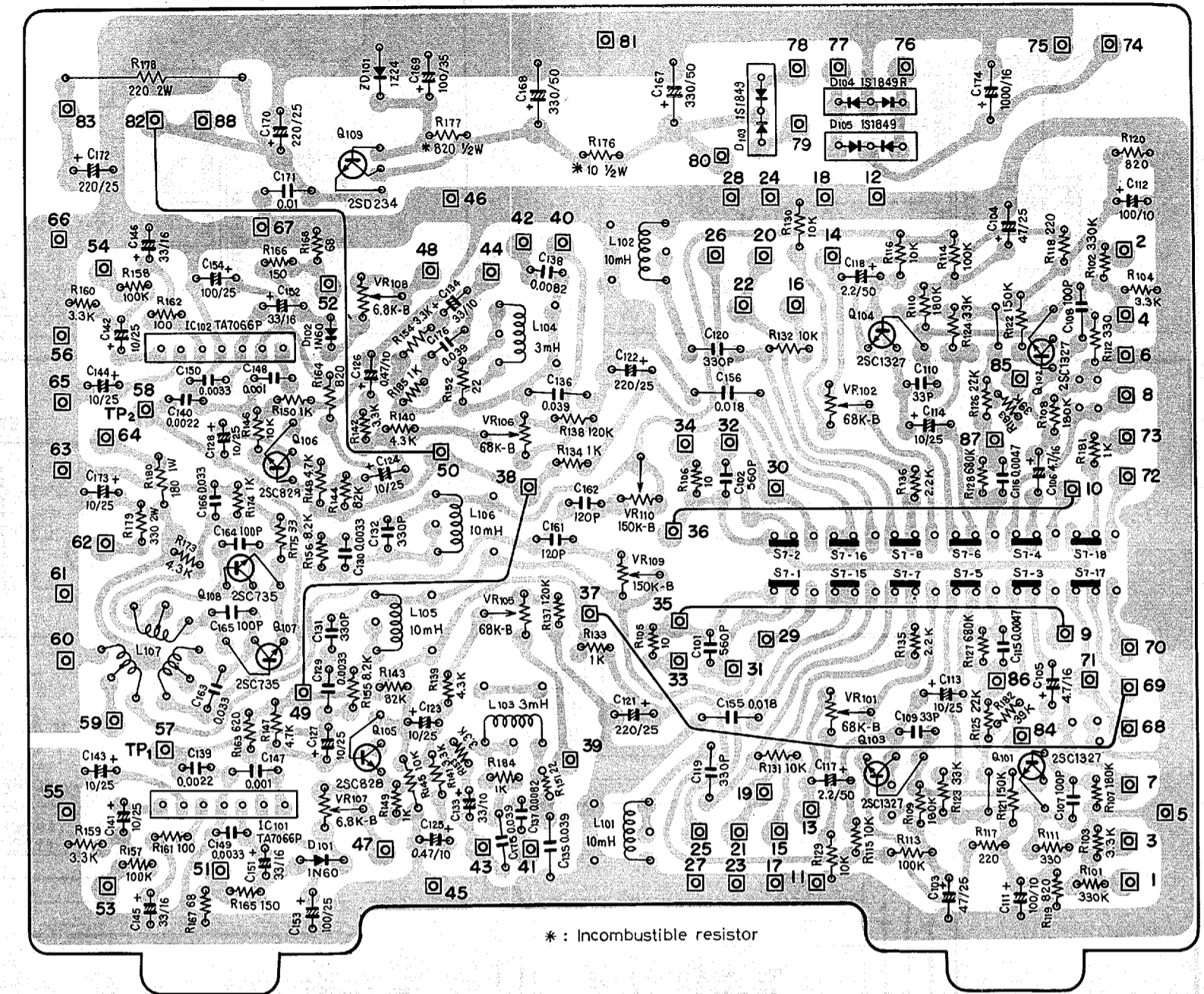
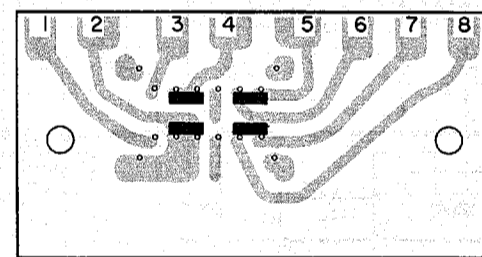


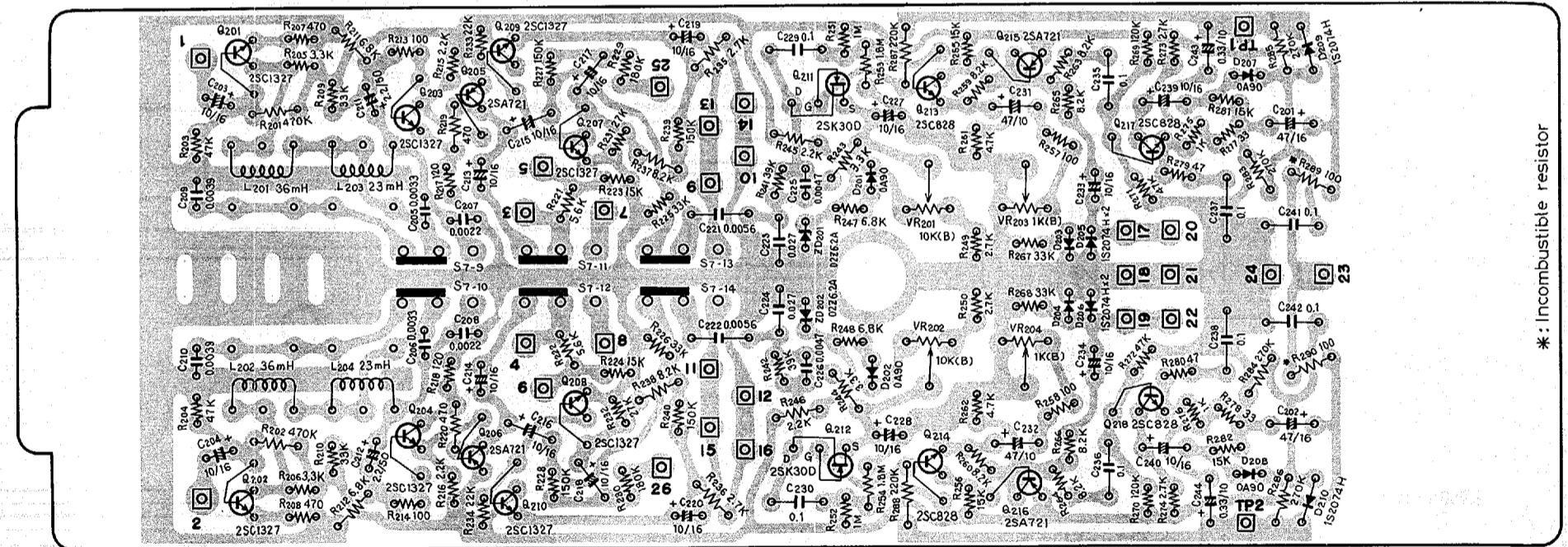
REC/PB amp ass'y RWF-019



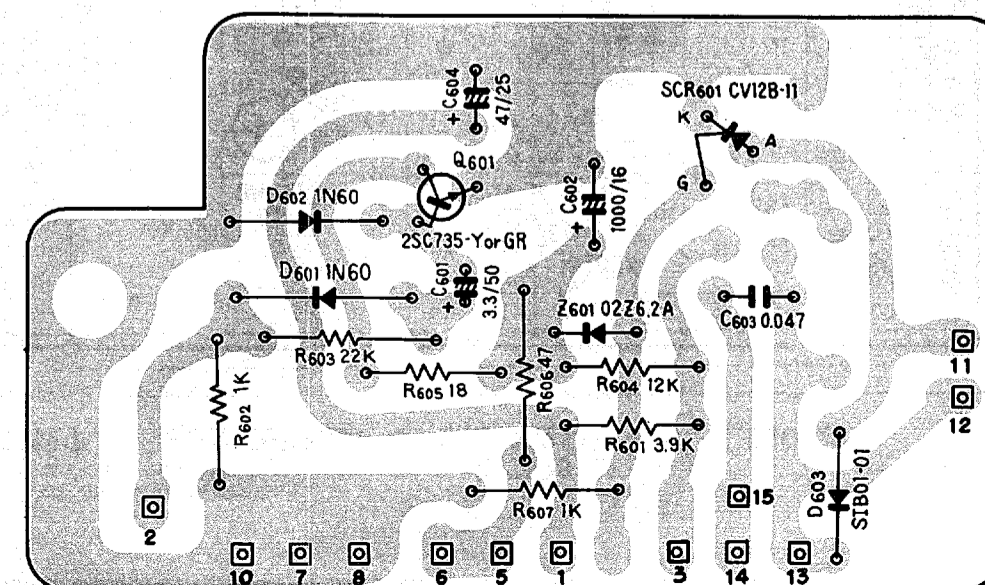
Switch circuit ass'y RWS-010



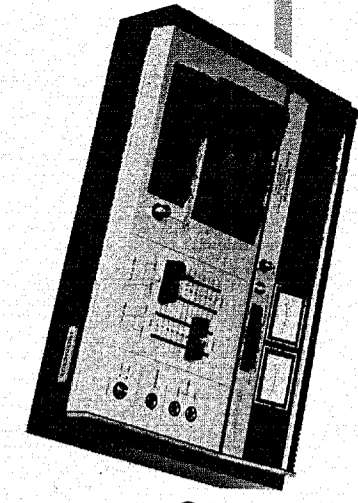
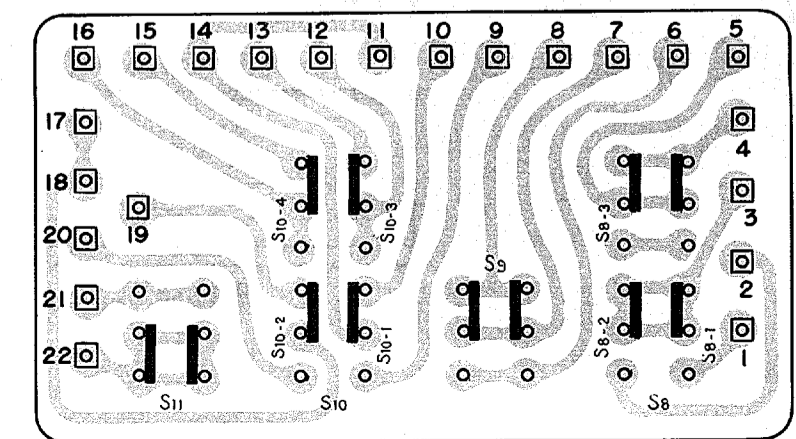
Dolby processor ass'y RWX-043



Sensing circuit ass'y RWG-043

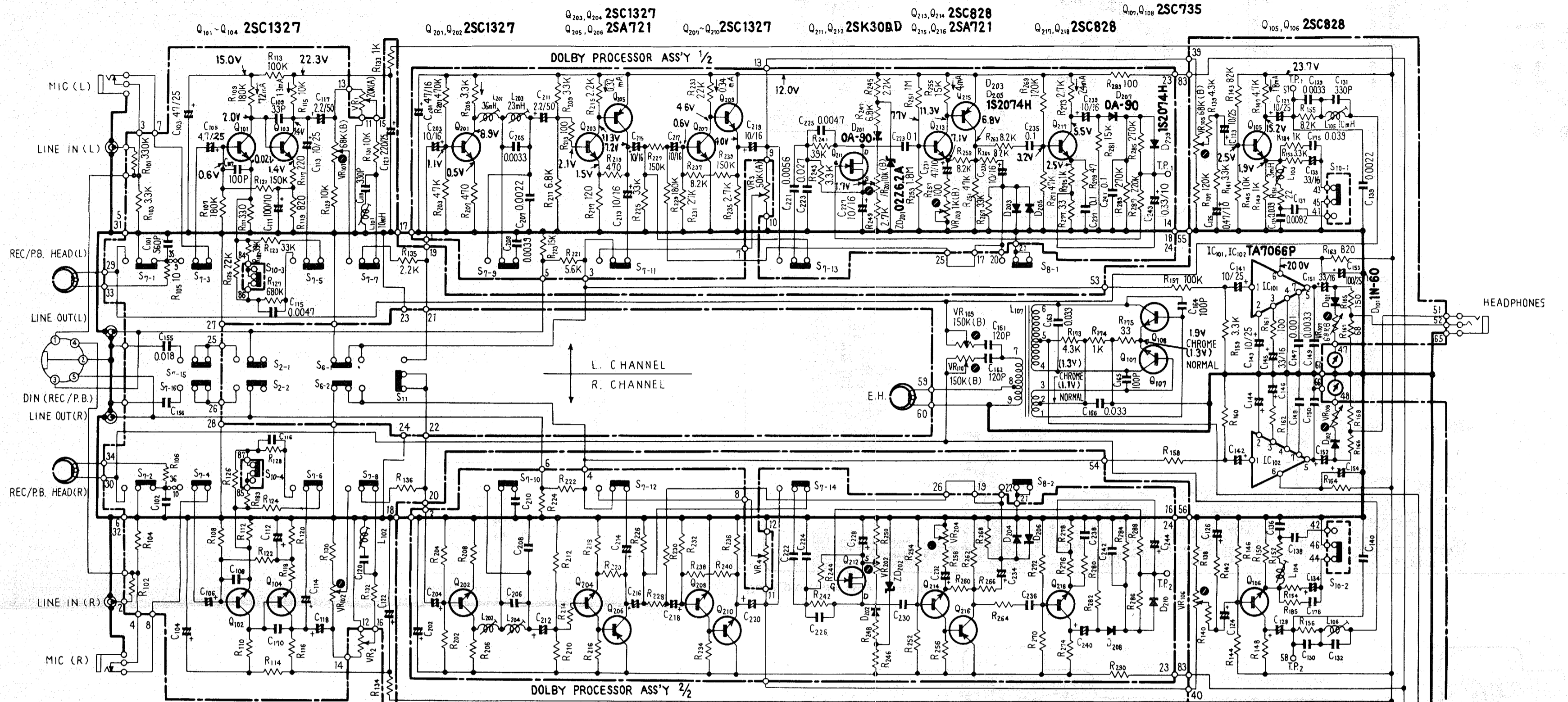


Push switch ass'y RWS-015

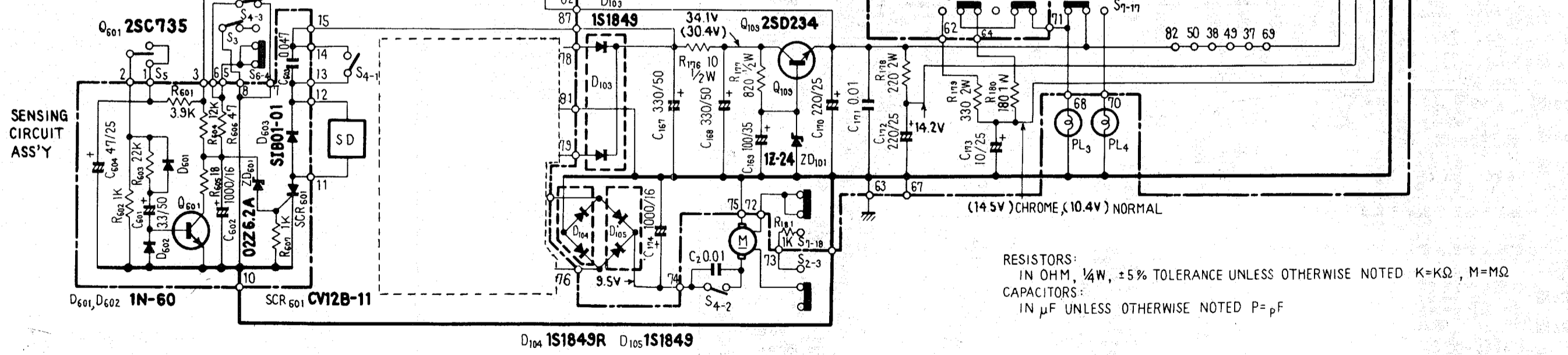


CASSETTE TAPE DECK  
**CT-4141A**  
 KCU BP PV Q

**CT-4141A**

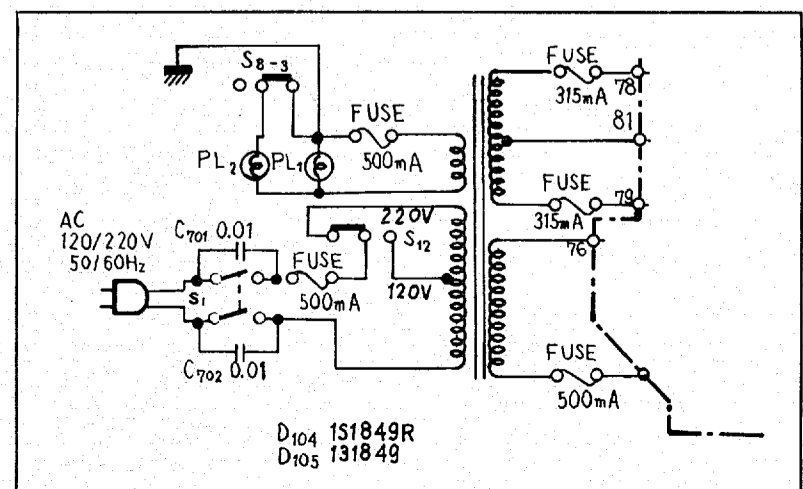


- S<sub>1</sub> : POWER SW. (OFF)
  - S<sub>2-1</sub> ~ S<sub>2-3</sub> : SKIP (OFF)
  - S<sub>3</sub> : PAUSE (OFF)
  - S<sub>4-1</sub> ~ S<sub>4-3</sub> : PLAY SW. (OFF)
  - S<sub>5</sub> : SENSING SW.
  - S<sub>6-1</sub> ~ S<sub>6-4</sub> : MUTING SW. (STOP)
  - S<sub>7-1</sub> ~ S<sub>7-18</sub> : REC-P.B. SELECTOR (REC)
  - S<sub>8-1</sub> ~ S<sub>8-3</sub> : DOLBY (ON)
  - S<sub>9</sub> : BIAS (CHROME)
  - S<sub>10-1</sub> ~ S<sub>10-4</sub> : EQ. (CHROME)
  - S<sub>11</sub> : MODE (STEREO)
- ( V ) : DC VOLTAGE AT RECORD FUNCTION  
 V : DC VOLTAGE AT PLAYBACK FUNCTION

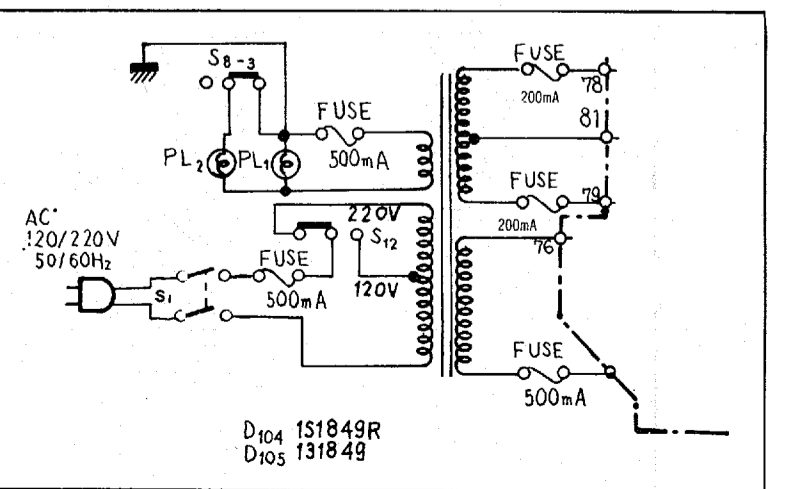


RESISTORS:  
 IN OHM, 1/4W, ±5% TOLERANCE UNLESS OTHERWISE NOTED K=KΩ, M=MΩ  
 CAPACITORS:  
 IN μF UNLESS OTHERWISE NOTED P=pF

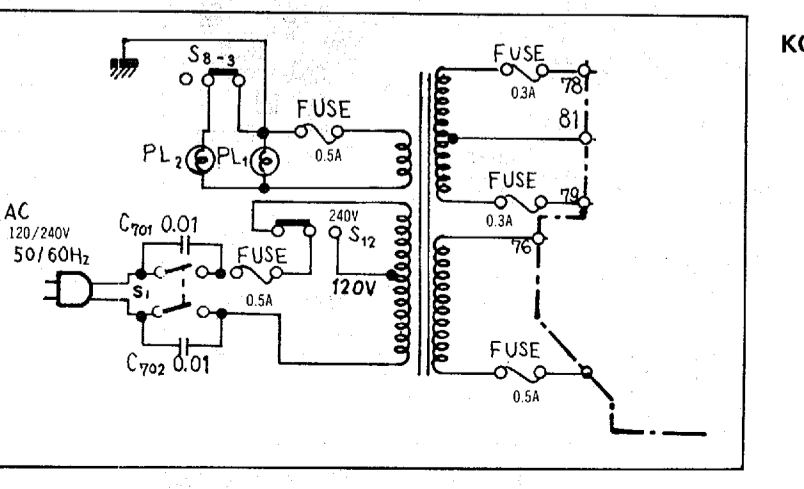
PV model



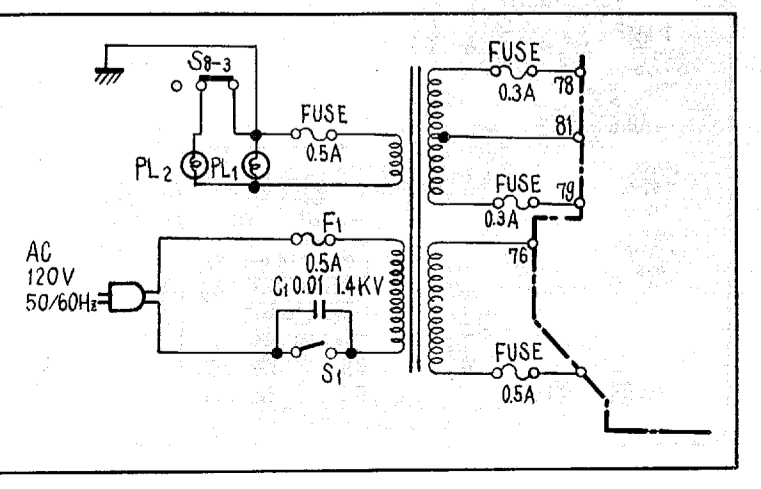
BP model



Q model



KCU model



D104 1S1849R  
 D105 1S1849

D104 1S1849R  
 D105 1S1849

D104 1S1849R D105 1S1849