

# CASSETTE TAPE DECK

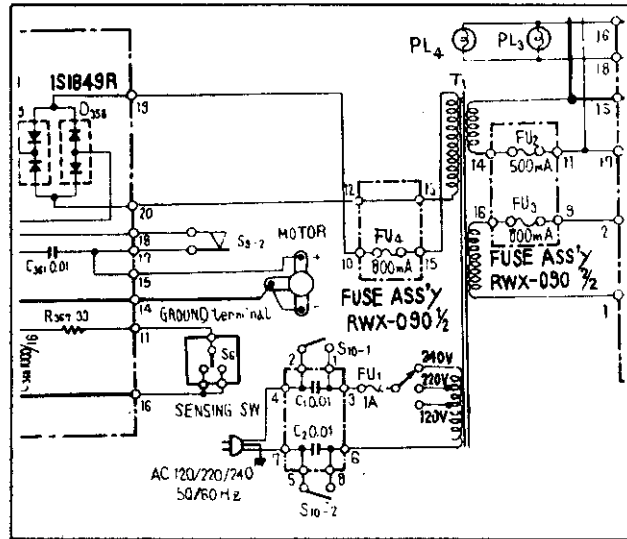
# CT-F2121

KCU, DV, NB, DP

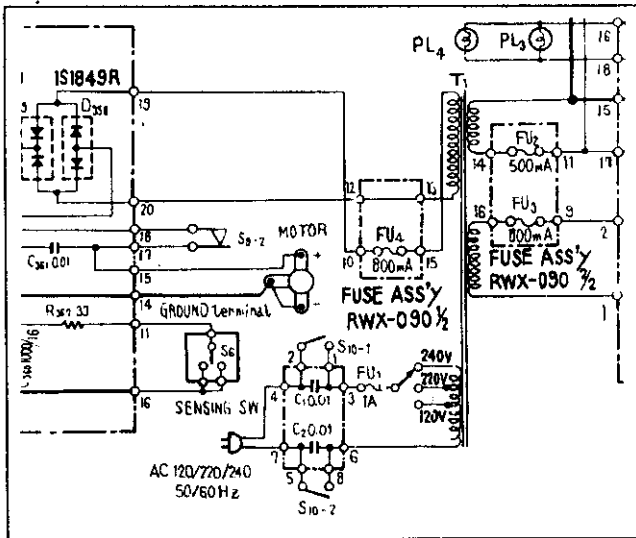
## SERVICE MANUAL



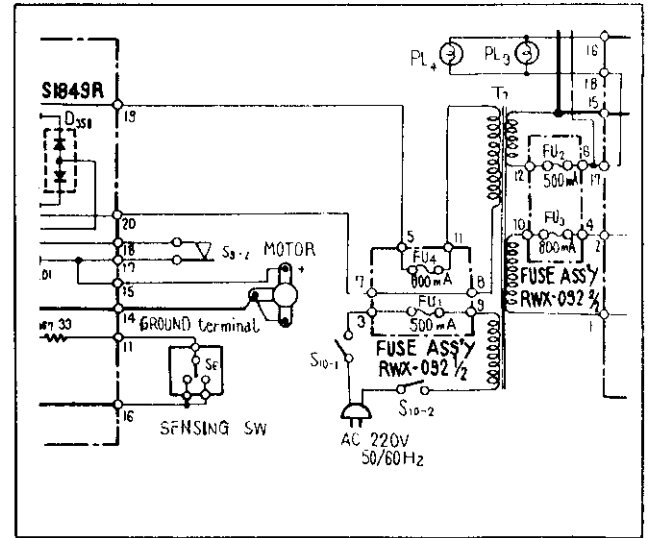
**DP model**



**DV model**



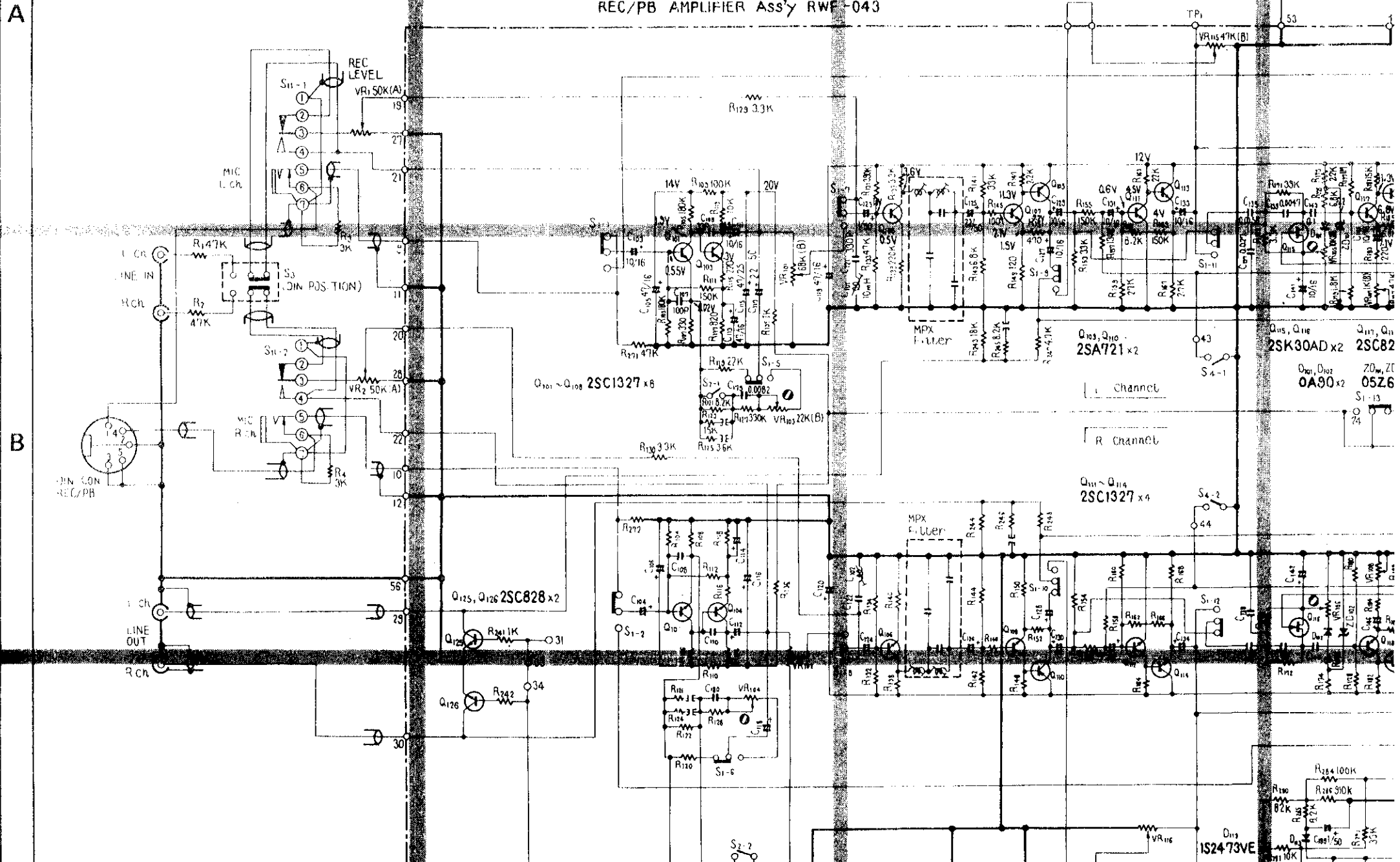
**NB model**



# SCHEMATIC DIAGRAMS, P.C. BOARD PATTERNS AND PARTS

## SCHEMATIC DIAGRAMS AND MISCELLANEOUS PARTS

REC/PB AMPLIFIER Ass'y RWG-043

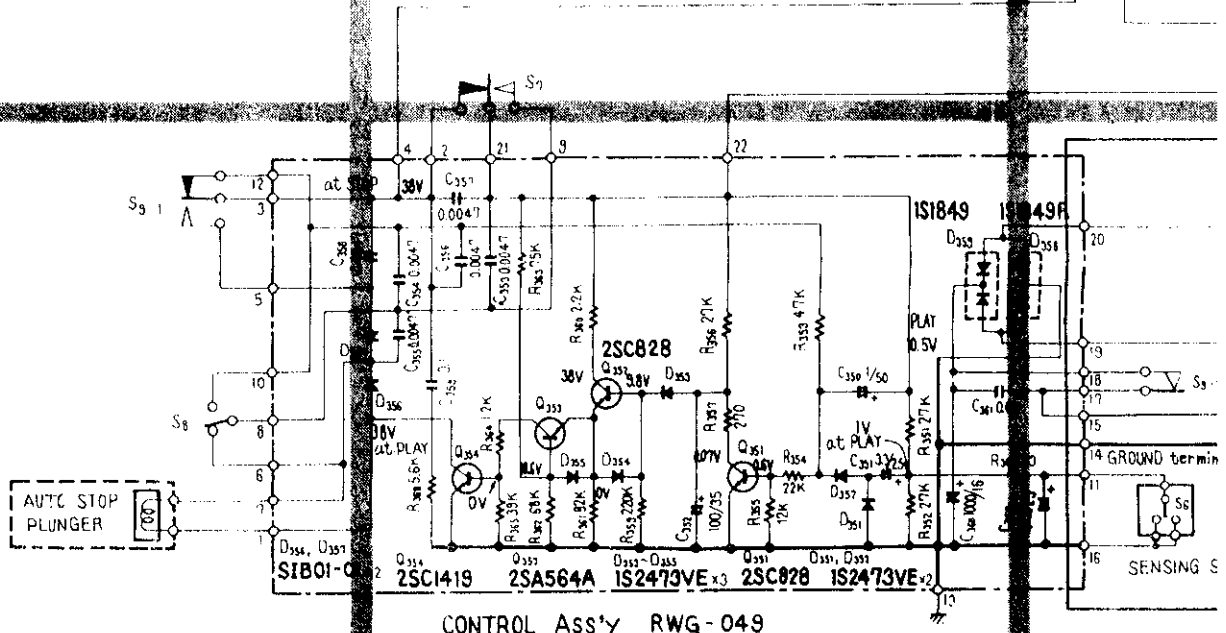


- SWITCHES:**
- S<sub>1</sub> : REC/PB SELECTOR SW (REC POSITION)
  - S<sub>2</sub> : EQ SW (STD POSITION)
  - S<sub>3</sub> : INPUT SELECTOR SW (DIN POSITION)
  - S<sub>4</sub> : DOLBY SW (ON POSITION)
  - S<sub>5</sub> : BIAS SW (STD POSITION)
  - S<sub>6</sub> : SENSING SW
  - S<sub>7</sub> : MUTING SW (STOP POSITION)
  - S<sub>8</sub> : PAUSE SW (OFF POSITION)
  - S<sub>9</sub> : PLAY SW (STOP POSITION)
  - S<sub>10</sub> : POWER SW (OFF POSITION)
  - S<sub>11</sub> : MIC JACK SW

- LAMPS:**
- PL<sub>1</sub> : DOLBY INDICATOR LAMP
  - PL<sub>2</sub> : METER LAMP
  - PL<sub>3</sub>, PL<sub>4</sub> : ILLUMINATION LAMP

- RESISTORS:**
- IN OHM, 1/4W, ±5% TOLERANCE UNLESS OTHERWISE NOTED  
K: KΩ M: MΩ

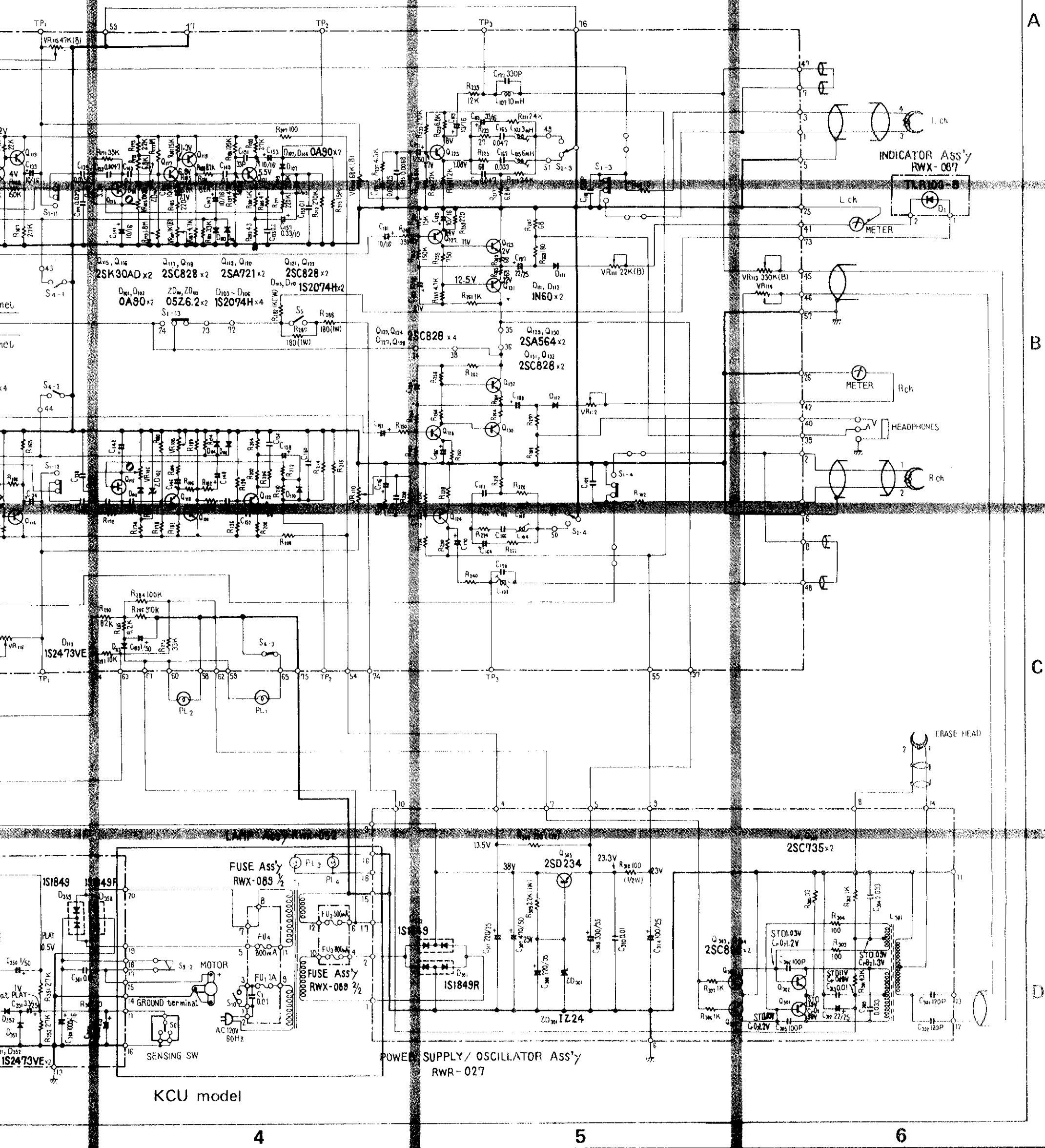
- CAPACITORS:**
- IN μF UNLESS OTHERWISE NOTED  
P: pF



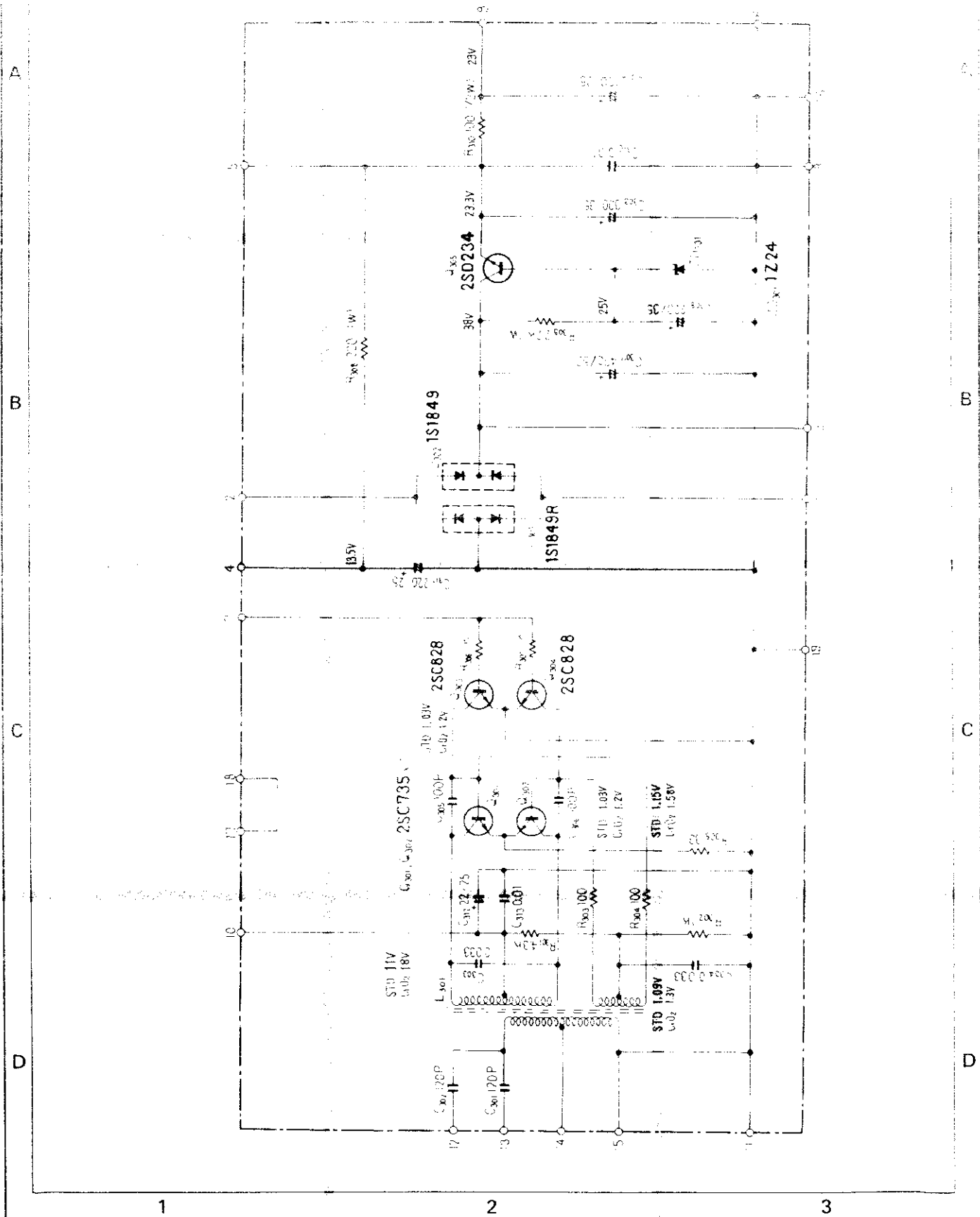
CONTROL Ass'y RWG-049

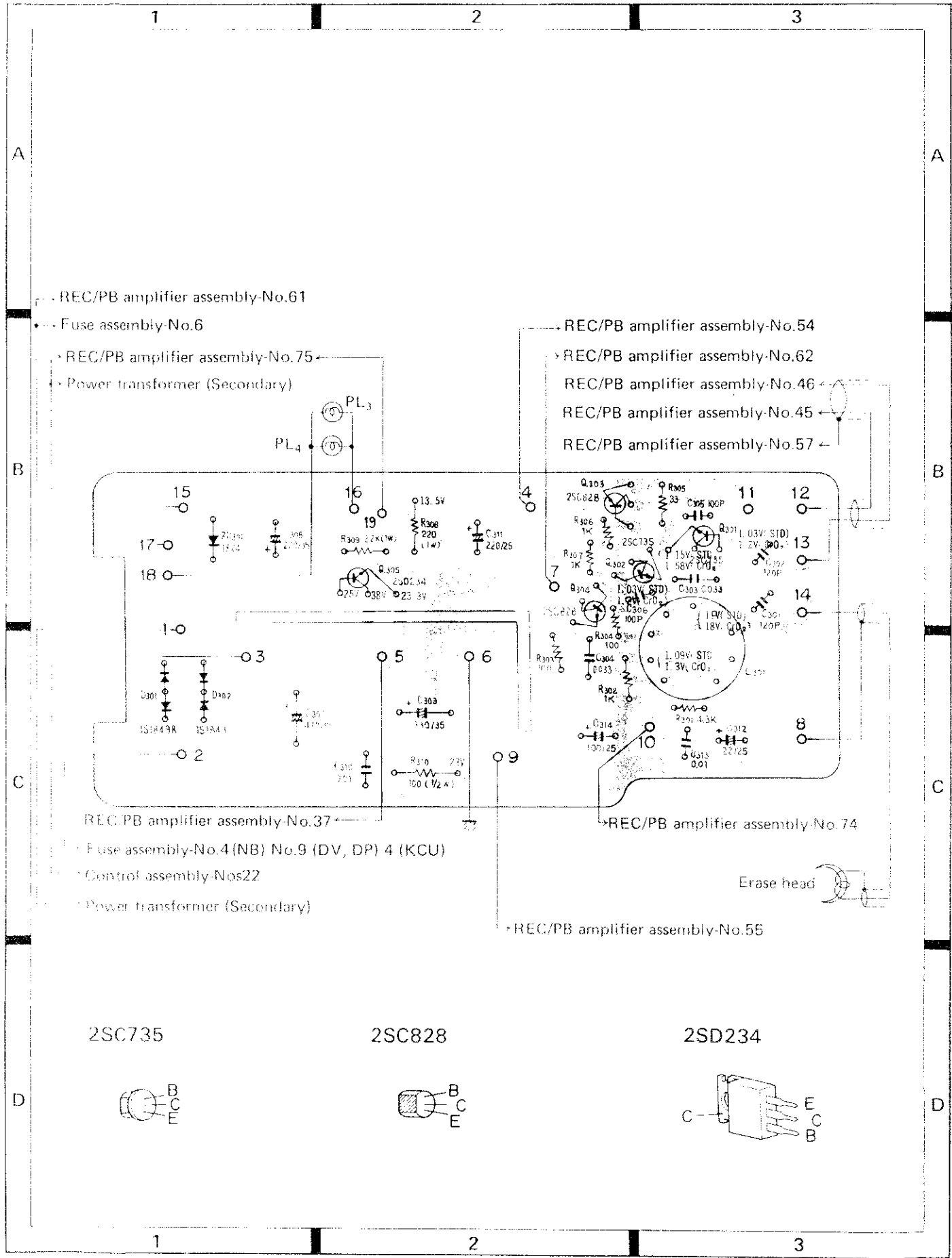
KCU

# S AND PART LISTS

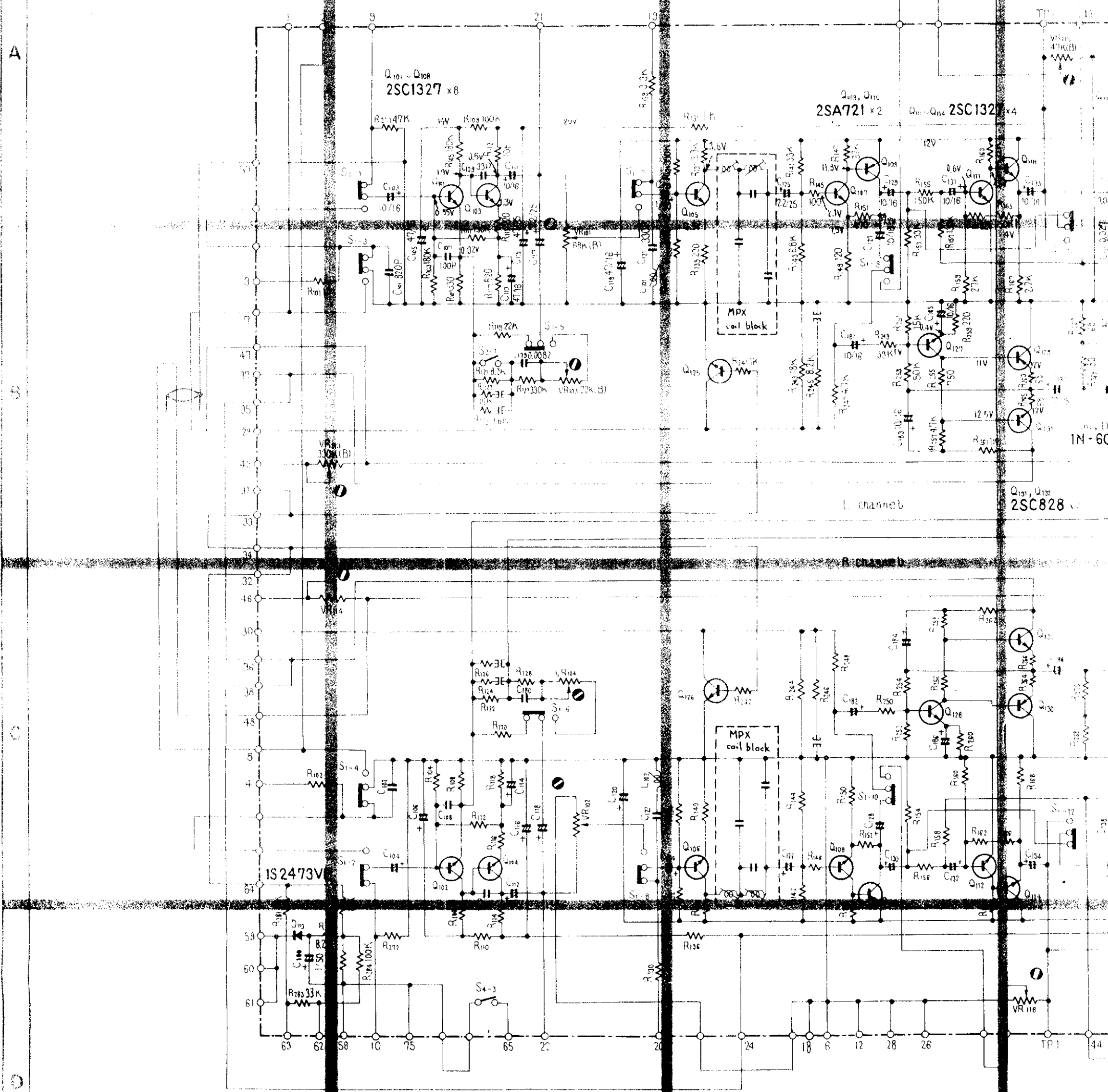


1 2 3  
**POWER SUPPLY AND O.C.P. ASSEMBLY (RWR-027)**

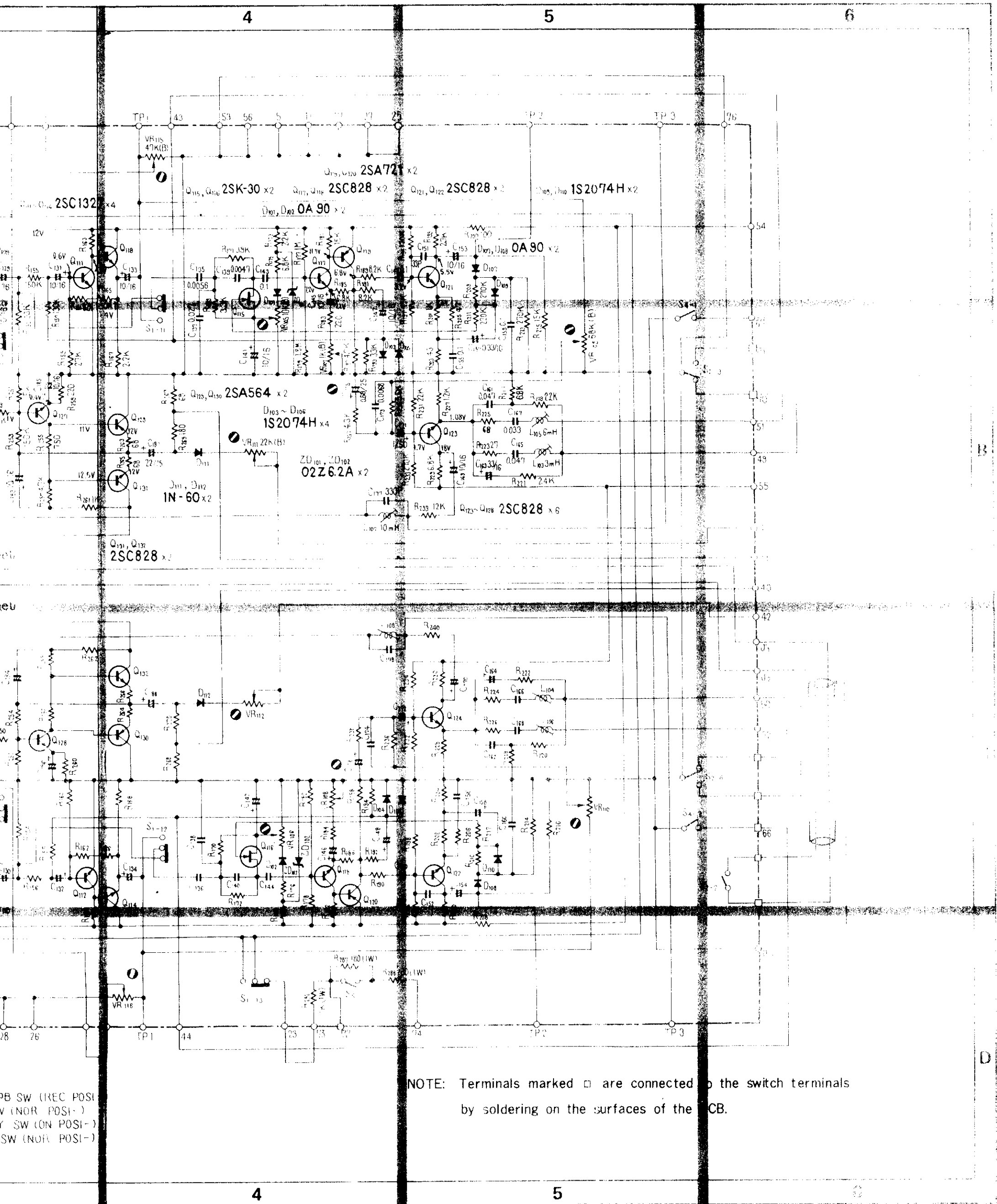




1 2 3  
REC/PB AMPLIFIER ASSEMBLY (RWF-043)



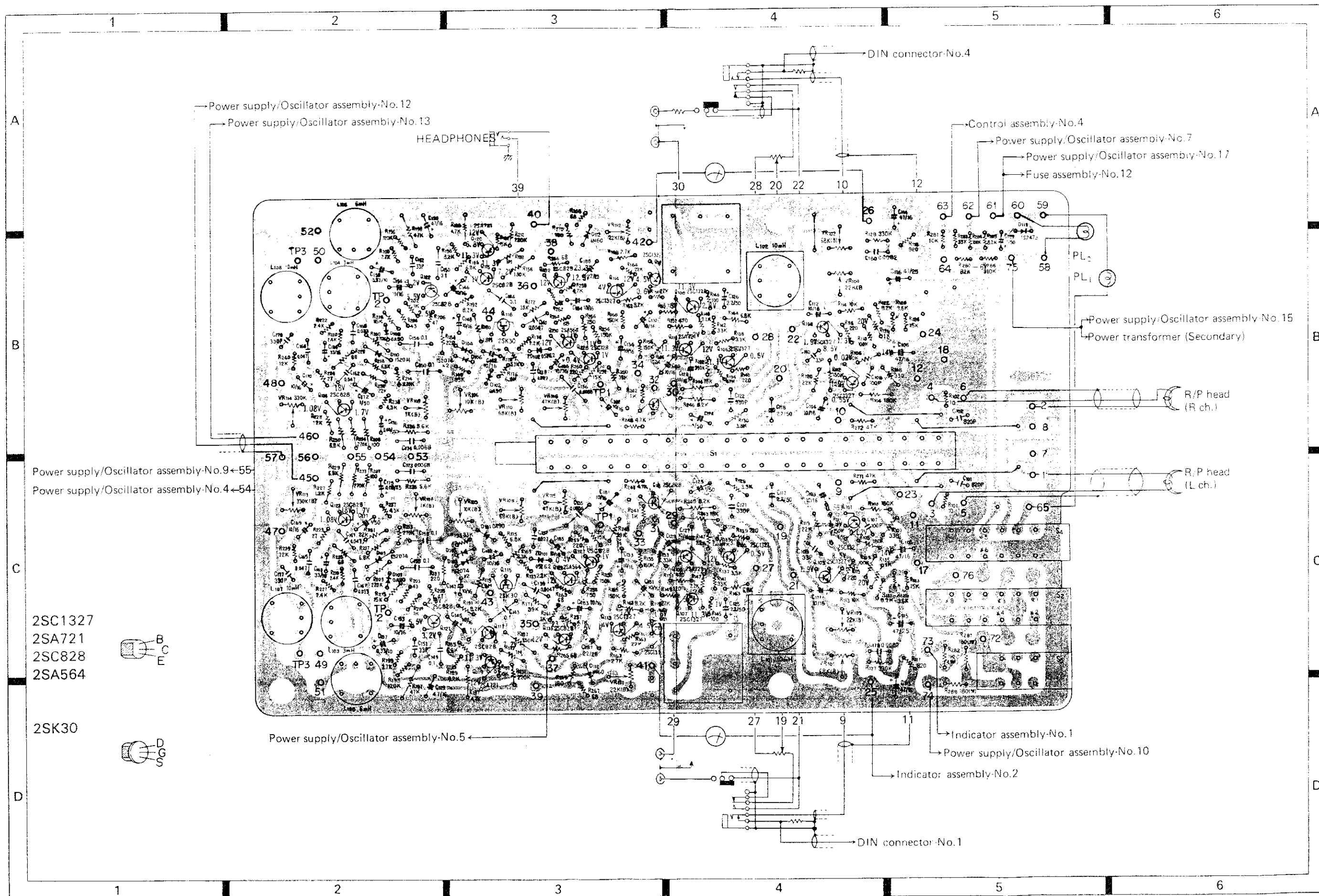
- S<sub>1</sub> REC/PB SW (REC POSI-)
- S<sub>2</sub> EQ SW (NOR POSI-)
- S<sub>4</sub> DOLBY SW (ON POSI-)
- S<sub>5</sub> BIAS SW (NOR POSI-)



NOTE: Terminals marked □ are connected to the switch terminals by soldering on the surfaces of the PCB.

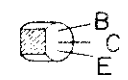
PB SW (REC POSI-)  
V (NOR POSI-)  
Y SW (ON POSI-)  
SW (NOR POSI-)





Power supply/Oscillator assembly-No.9 ← 55  
 Power supply/Oscillator assembly-No.4 ← 54

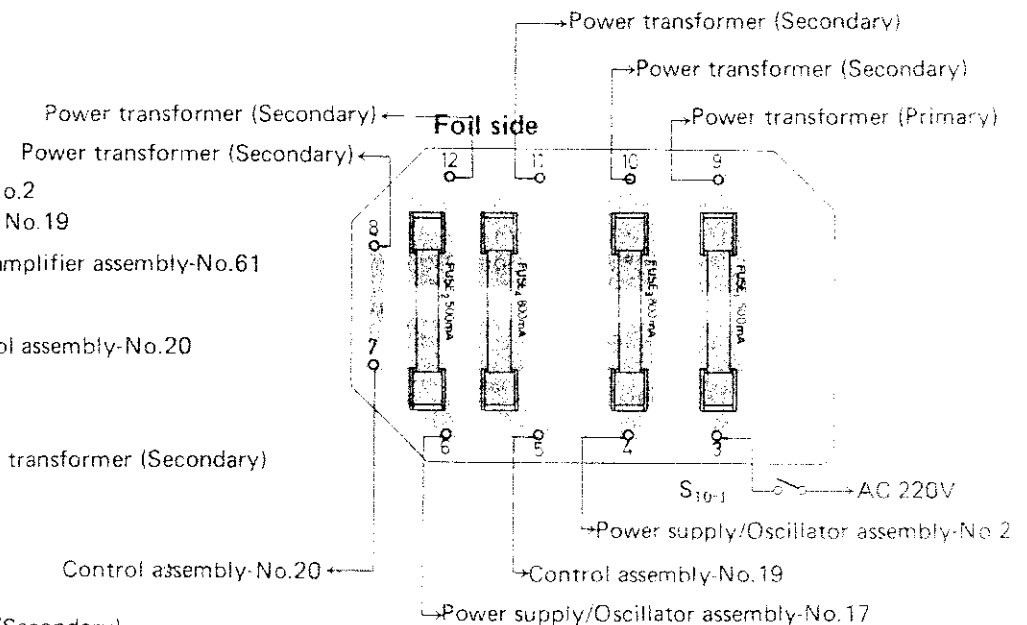
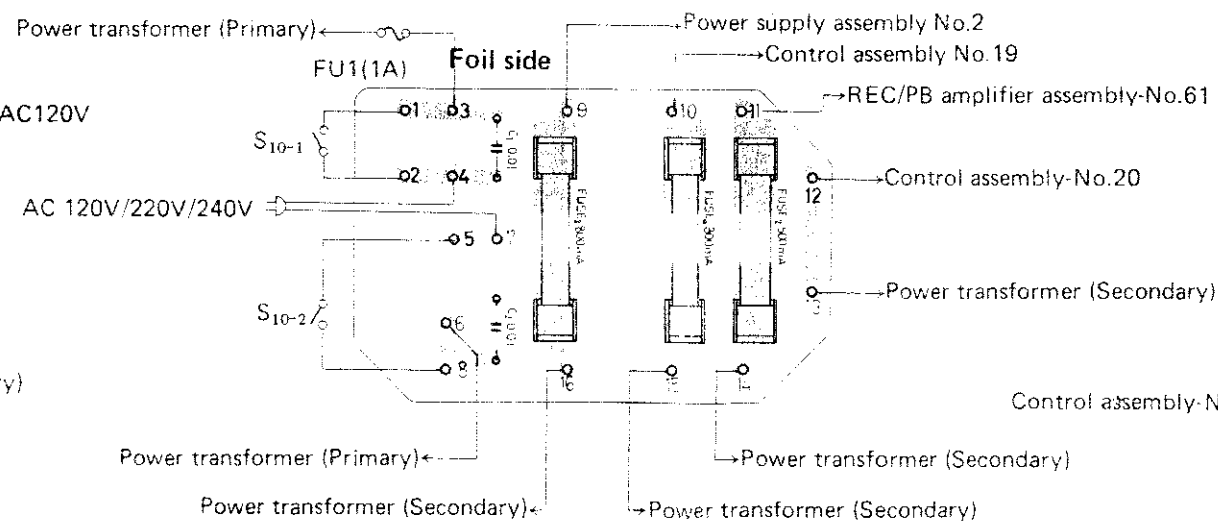
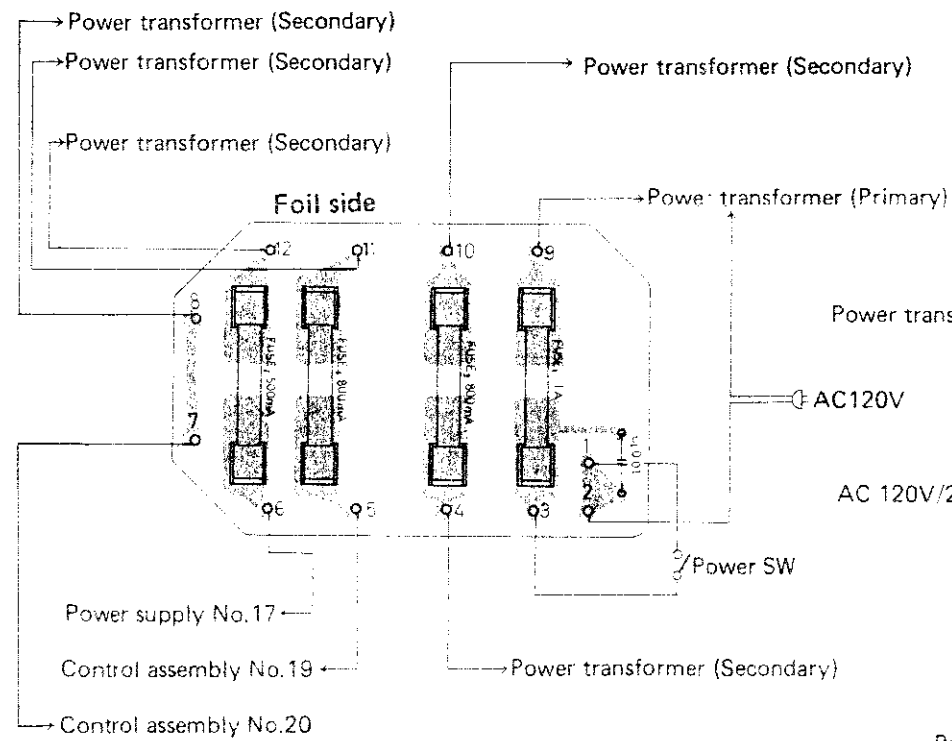
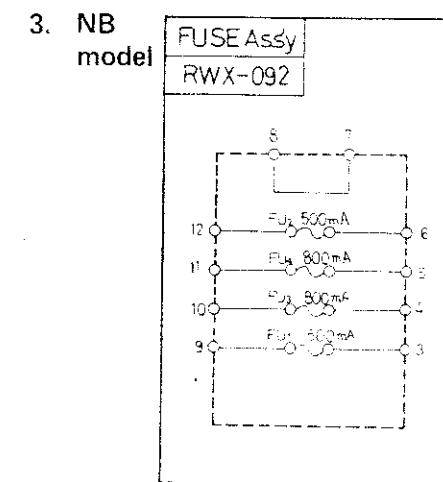
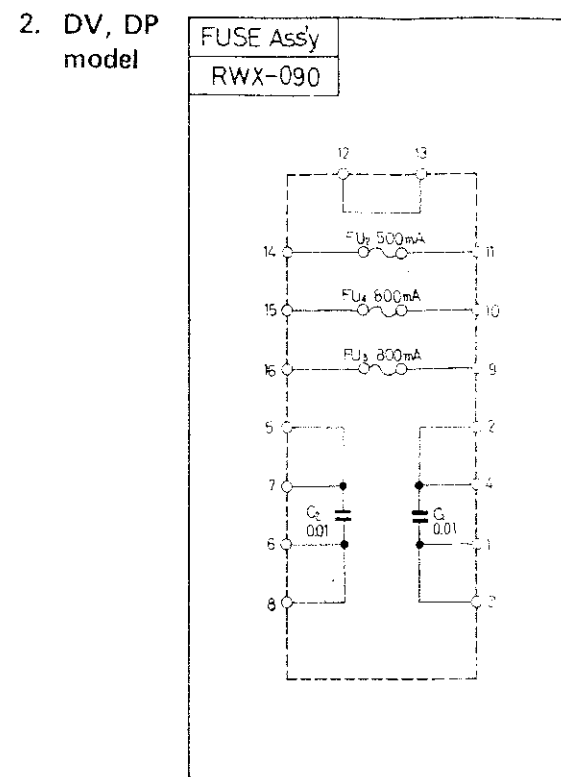
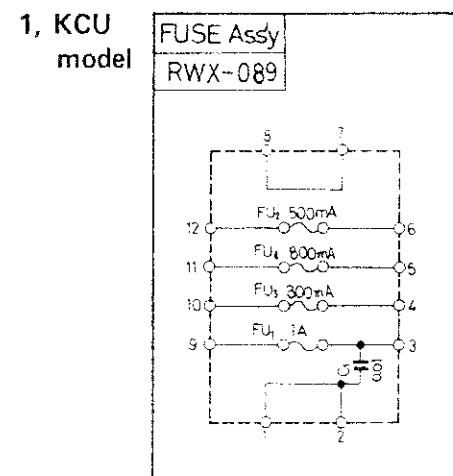
- 2SC1327
- 2SA721
- 2SC828
- 2SA564



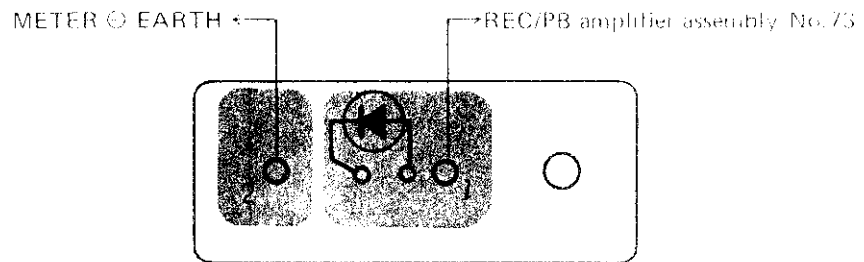
2SK30



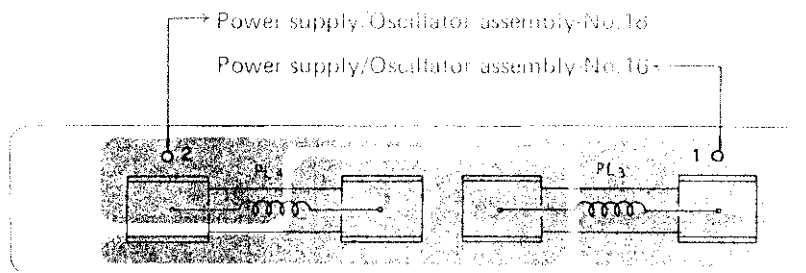
FUSE BOARD ASSEMBLY



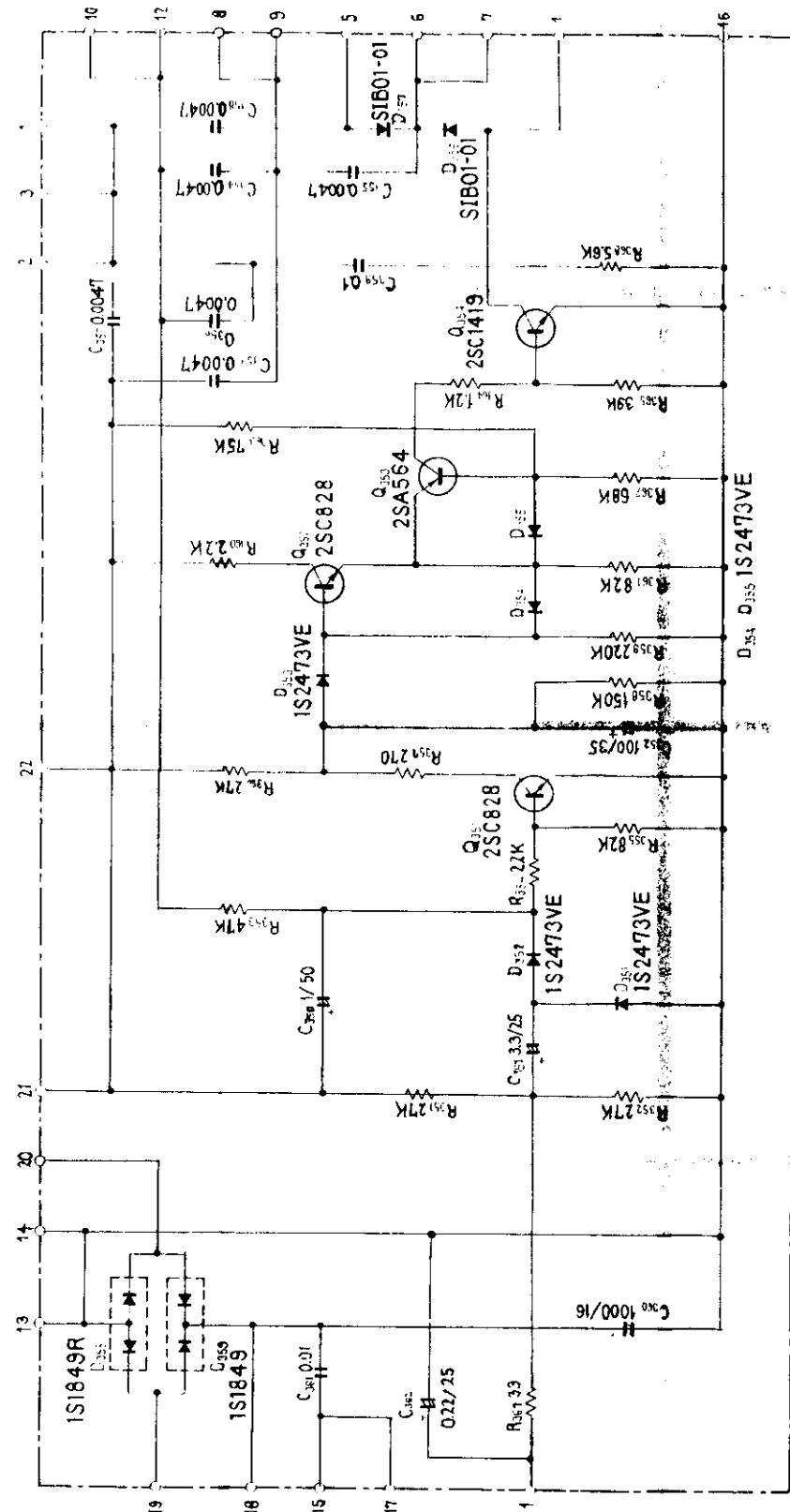
# INDICATOR ASSEMBLY (RWX-087)

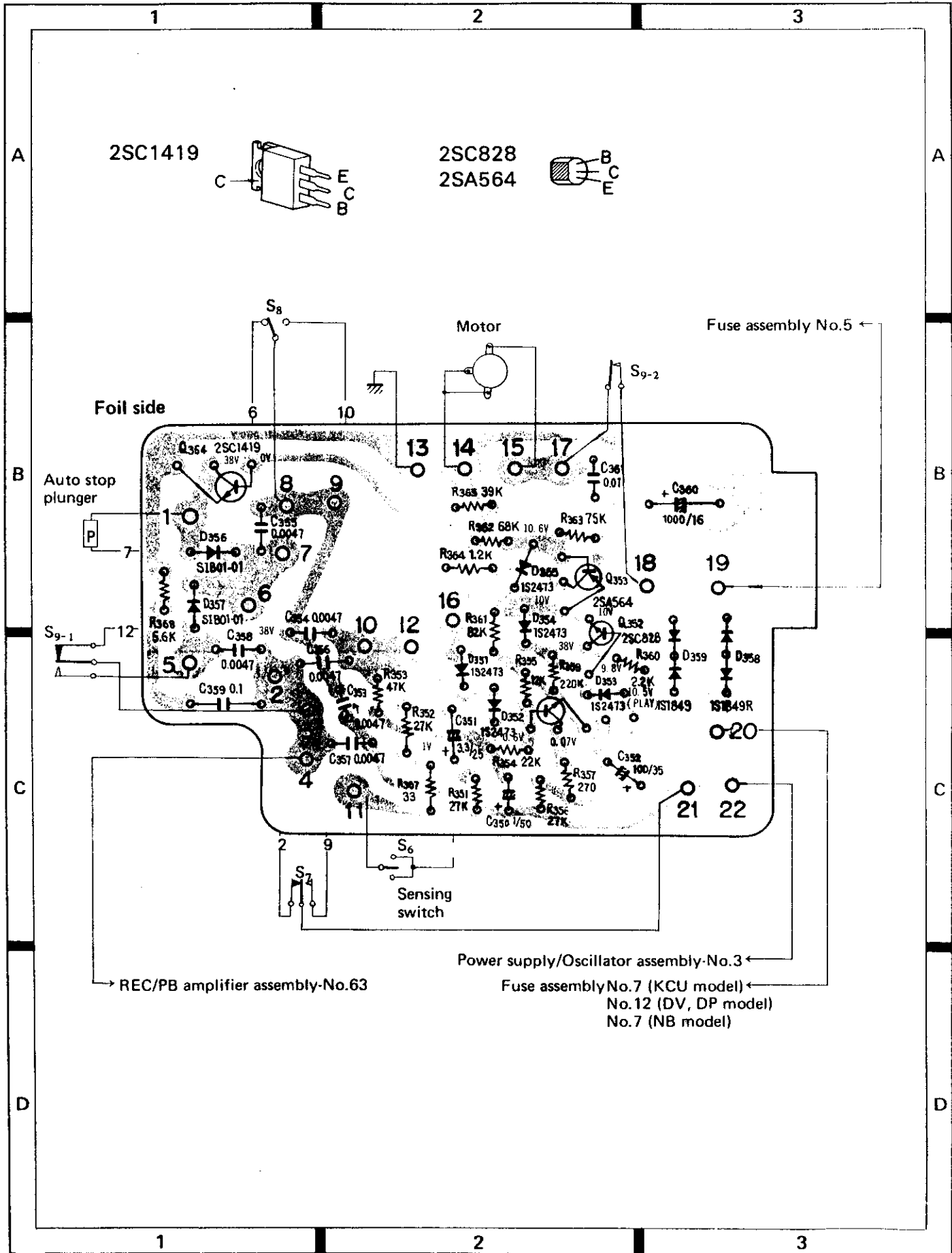


# LAMP ASSEMBLY (RWX-052)



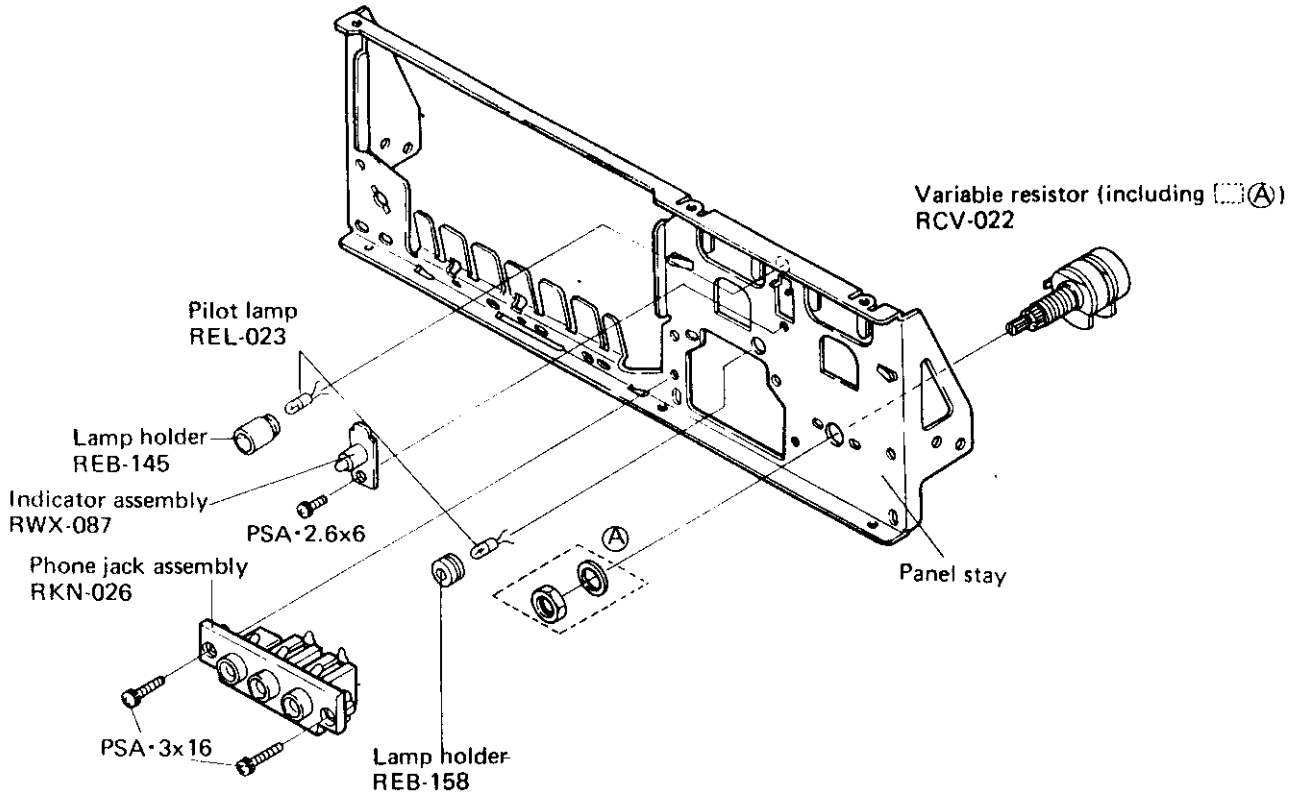
CONTROL ASSEMBLY (RWG-049)





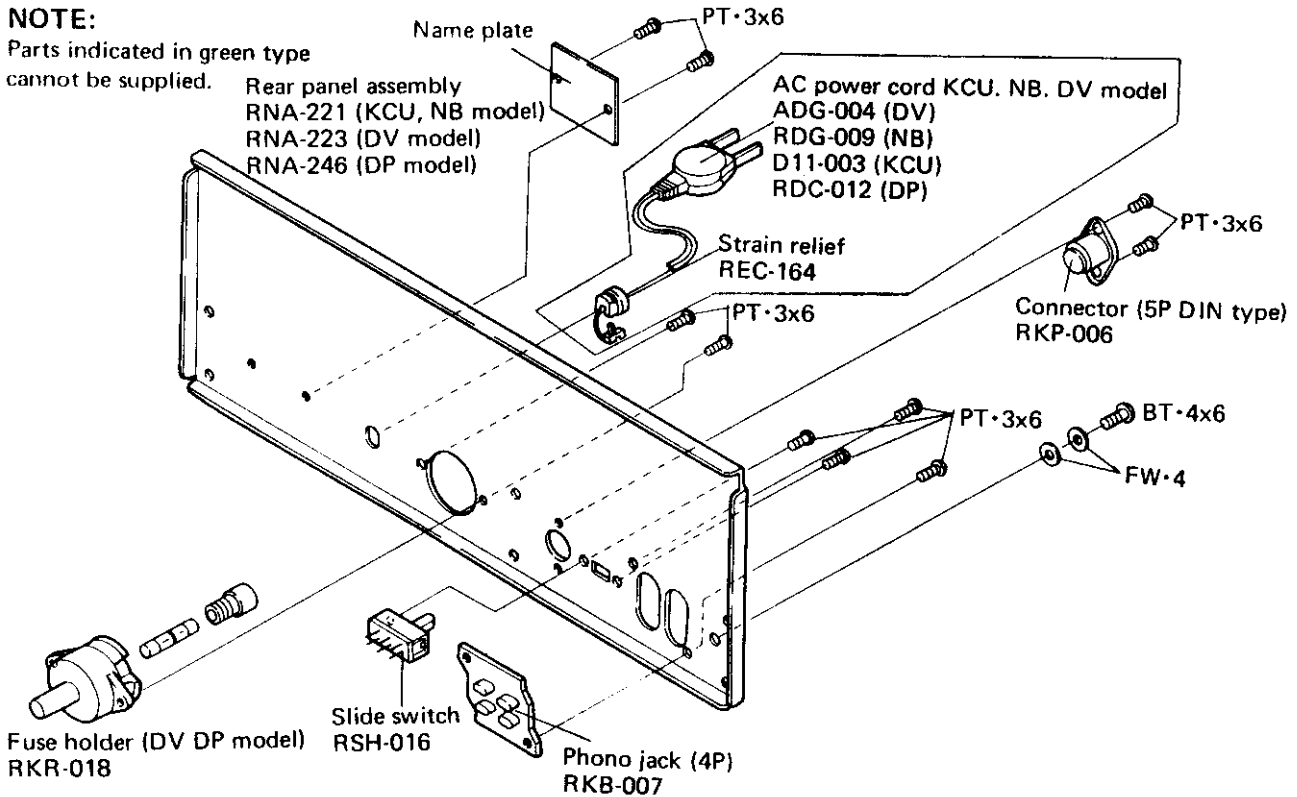
## PANEL STAY

**NOTE:**  
Parts indicated in green type cannot be supplied.



## REAR PANEL

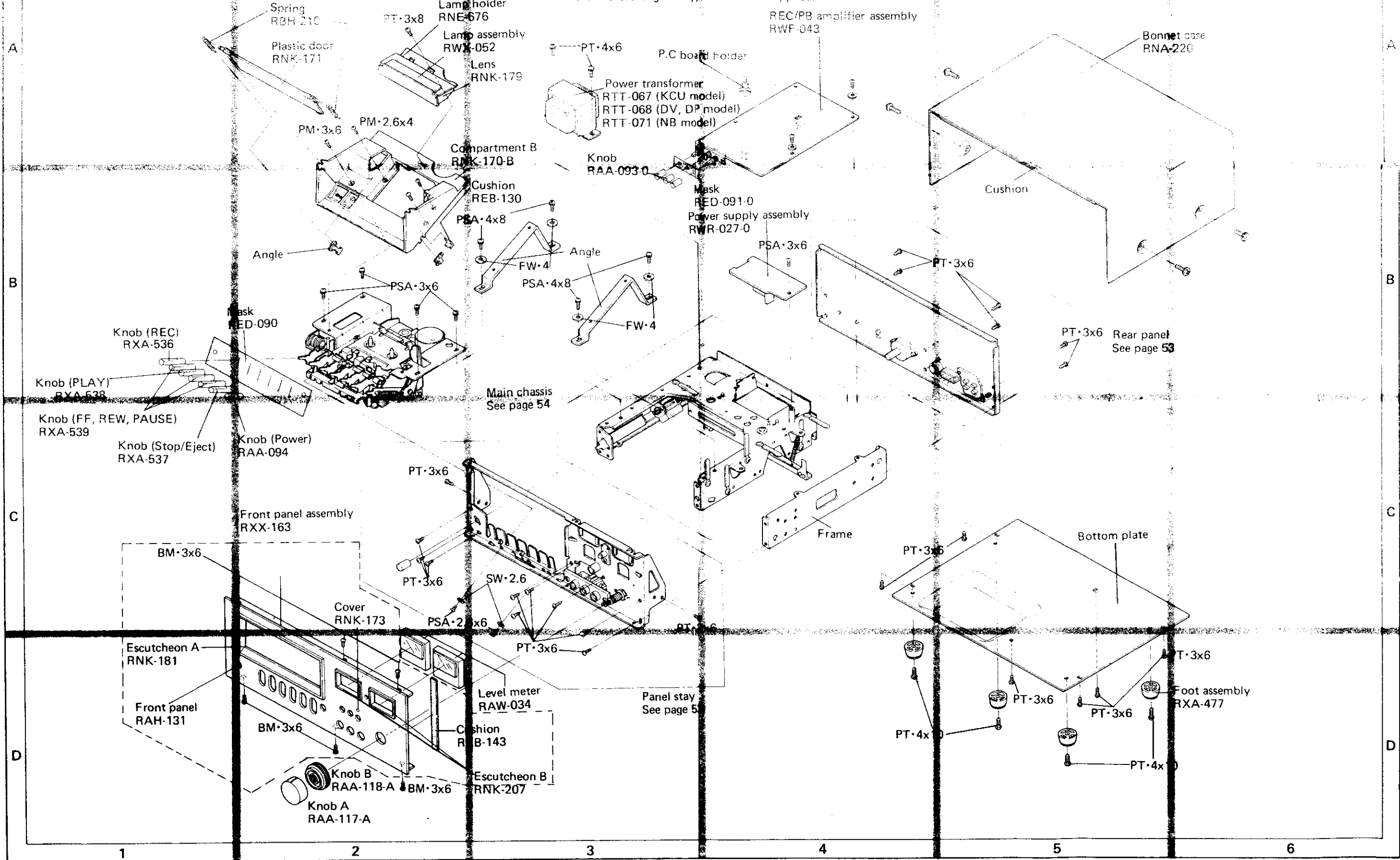
**NOTE:**  
Parts indicated in green type cannot be supplied.



# EXPLODED VIEW

**NOTE:**

Parts indicated in green type cannot be supplied.



# EXPLODED VIEW TRANSPORT

**NOTE:**

Parts indicated in green type cannot be supplied. Tape counter. See page 57

Head Reel page 57

Sensing switch See page 58

PSA-2.6x6

PSA-3x6

PSA-2.6x4

Operating button See page 61

M-2.6x6

Transport shassis See page 59

Eject bracket See page 62

PSA-2.6x6

Spring RBH-190

Arm assembly RXA-430

Spring RBH-221

Bracket RXA-421

Idler A See page 57

EW-2.5

Plate RXA-490

Cushion

FF Spring RBH-187

FF Plate RXA-431

TP-45 Flywheel assembly RXA-432

Flywheel plate

Belt REB-116

Spring RBH-220

PSA-2.6x6  
Adjusting screw  
RNK-154

Spring RBH-184

EW-4

EW-2.5

Plate

Plate

Spring RBH-189

Spring RBH-188

W-2.5

Angle

Cushion

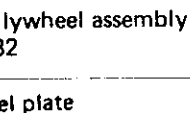
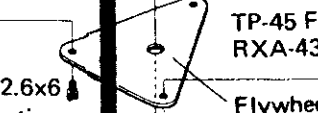
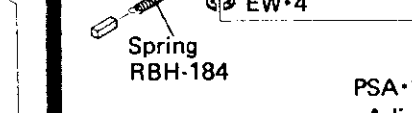
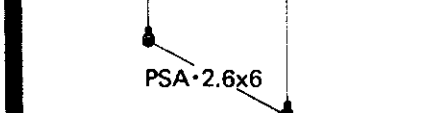
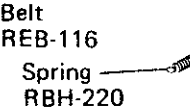
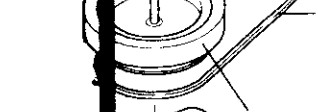
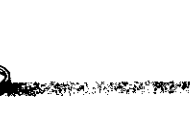
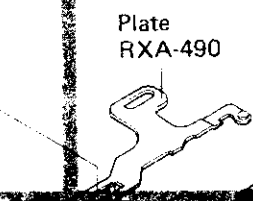
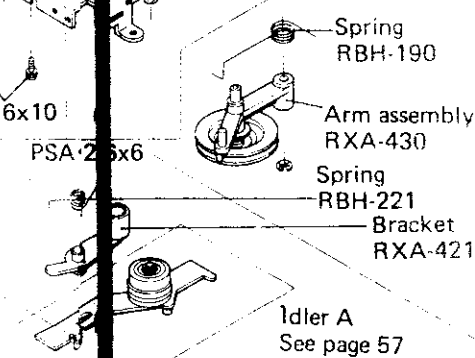
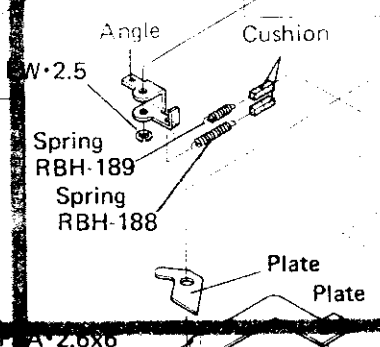
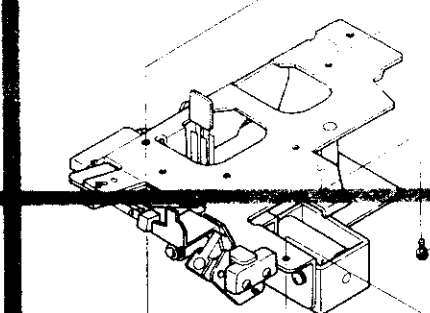
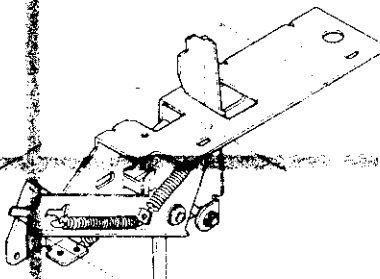
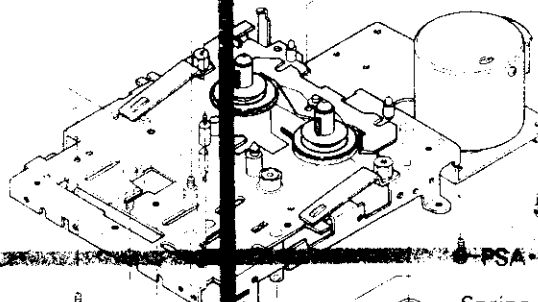
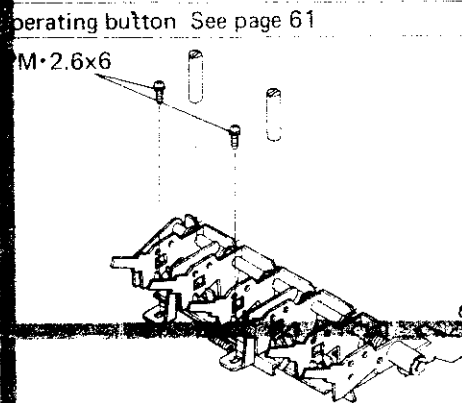
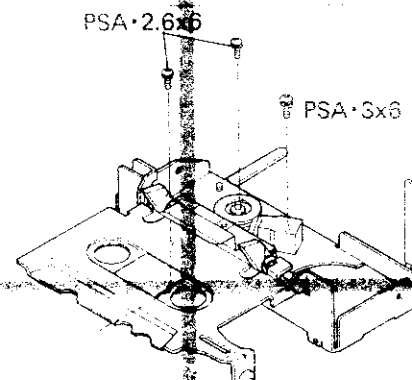
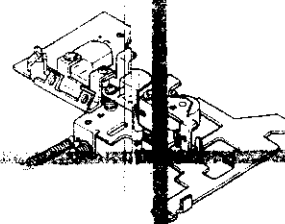
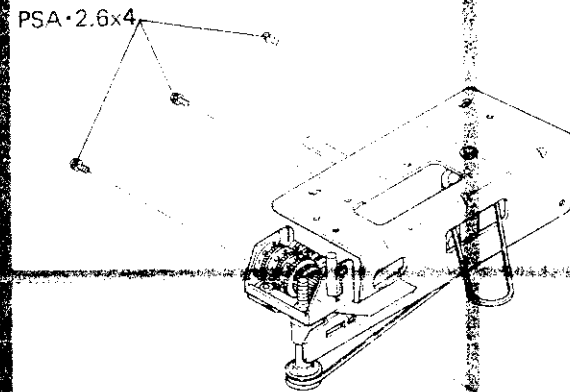
PSA-2.6x10

PSA-2.6x6

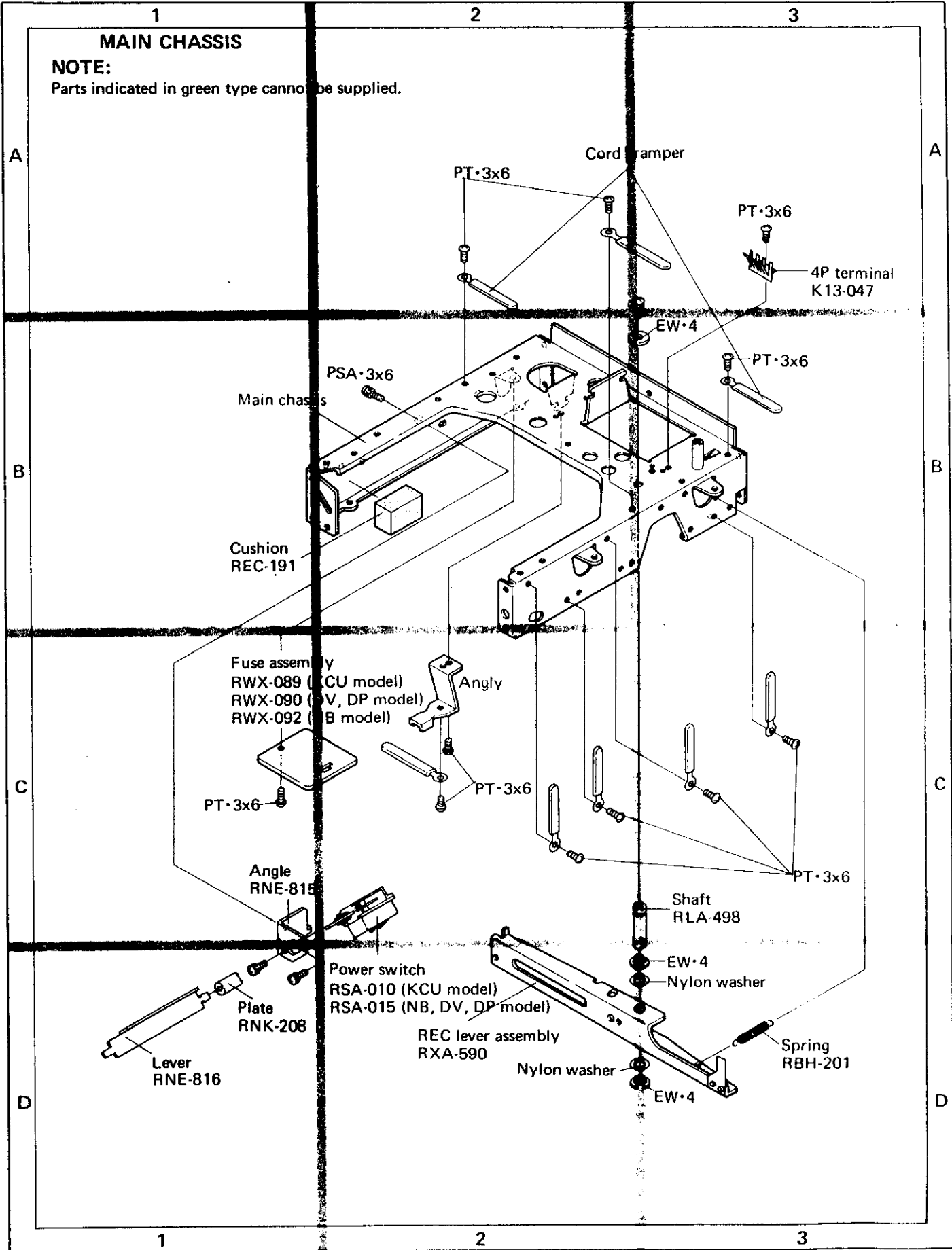
Plate, Muting switch See page 60

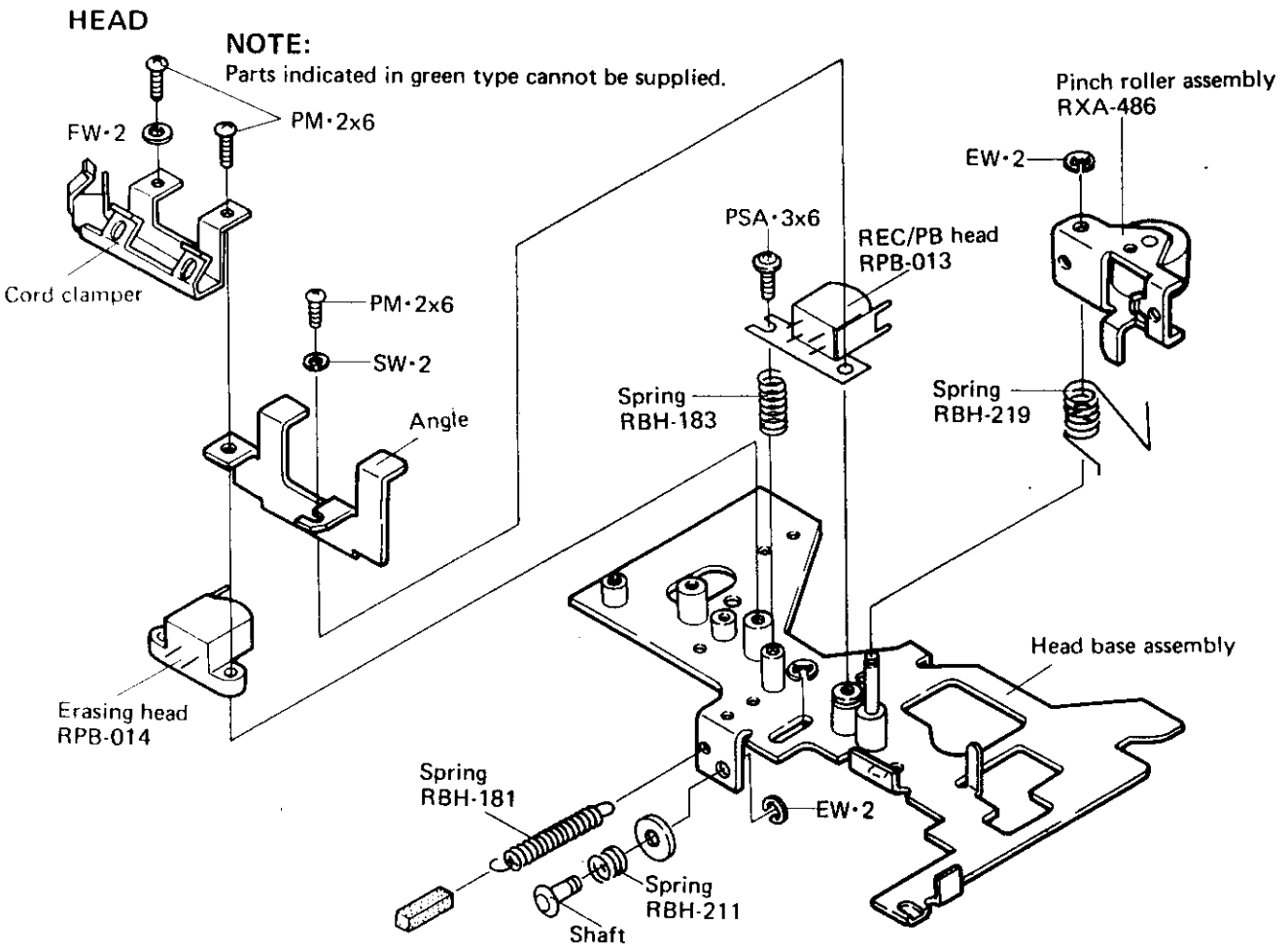
PSA-2.6x6

PSA-2.6x6



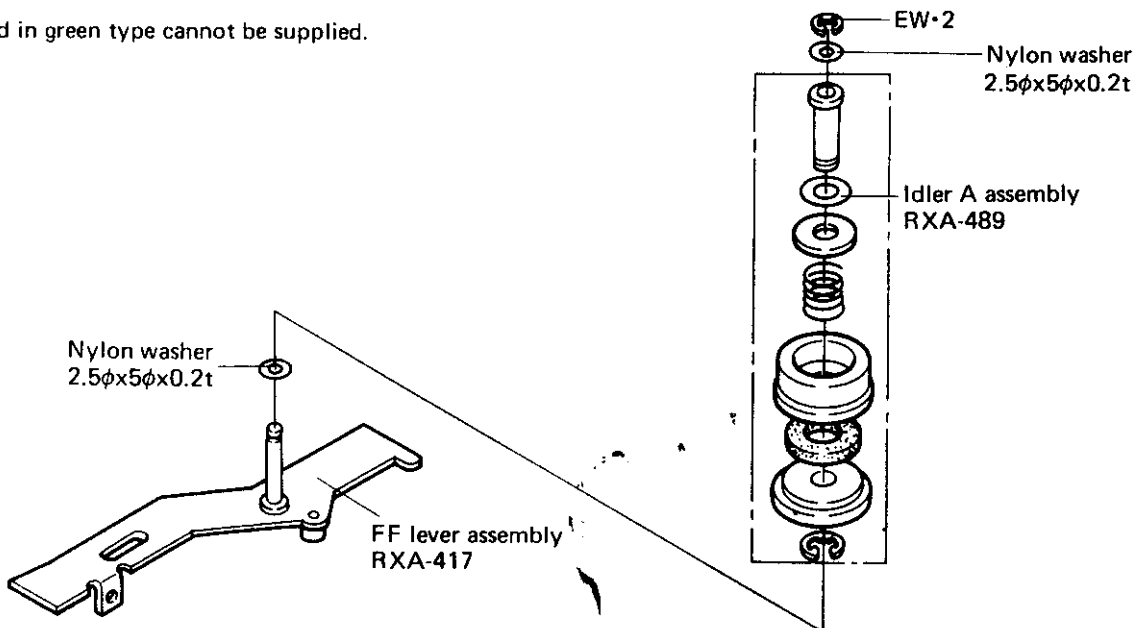


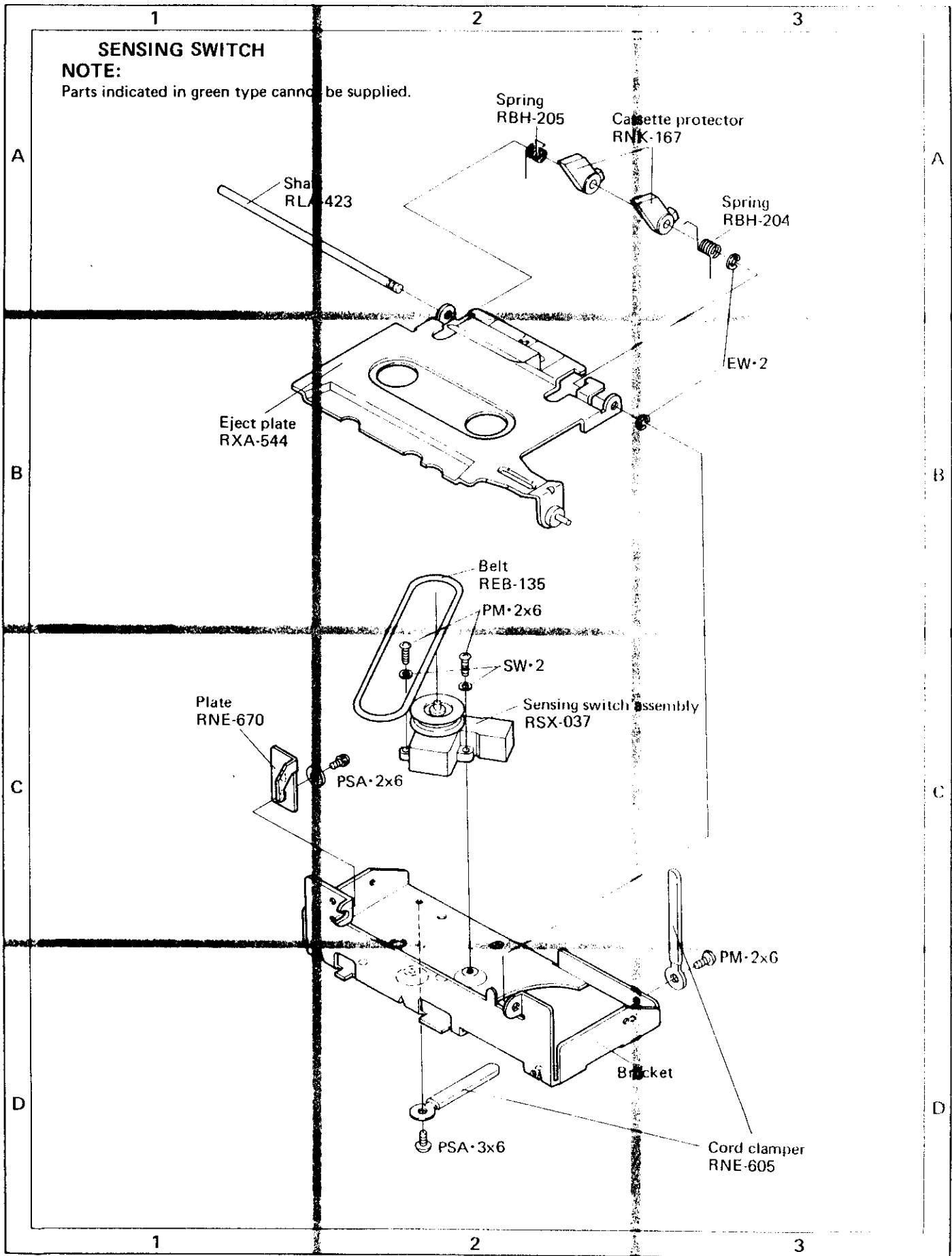




**IDLER A**

**NOTE:**  
Parts indicated in green type cannot be supplied.



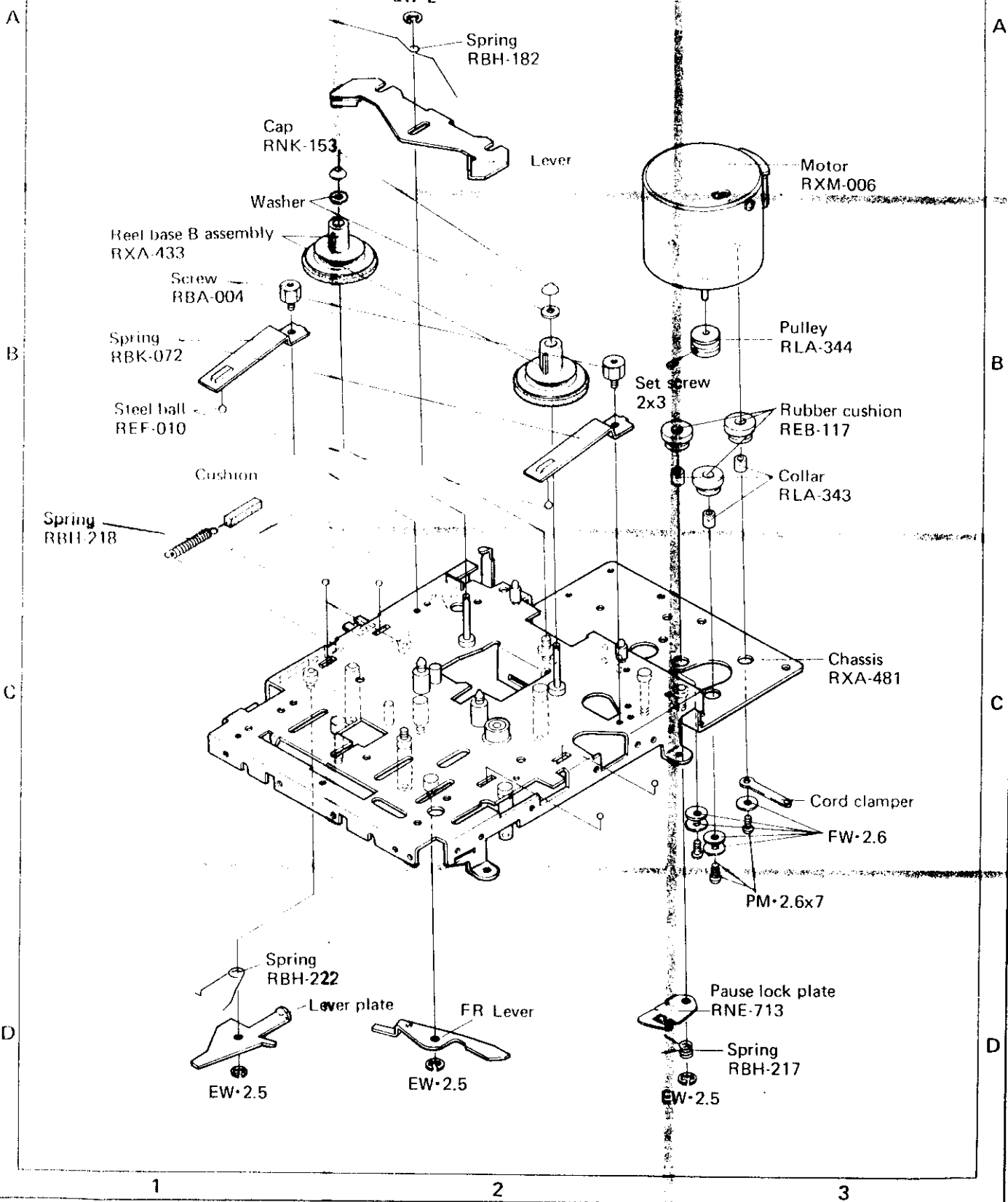


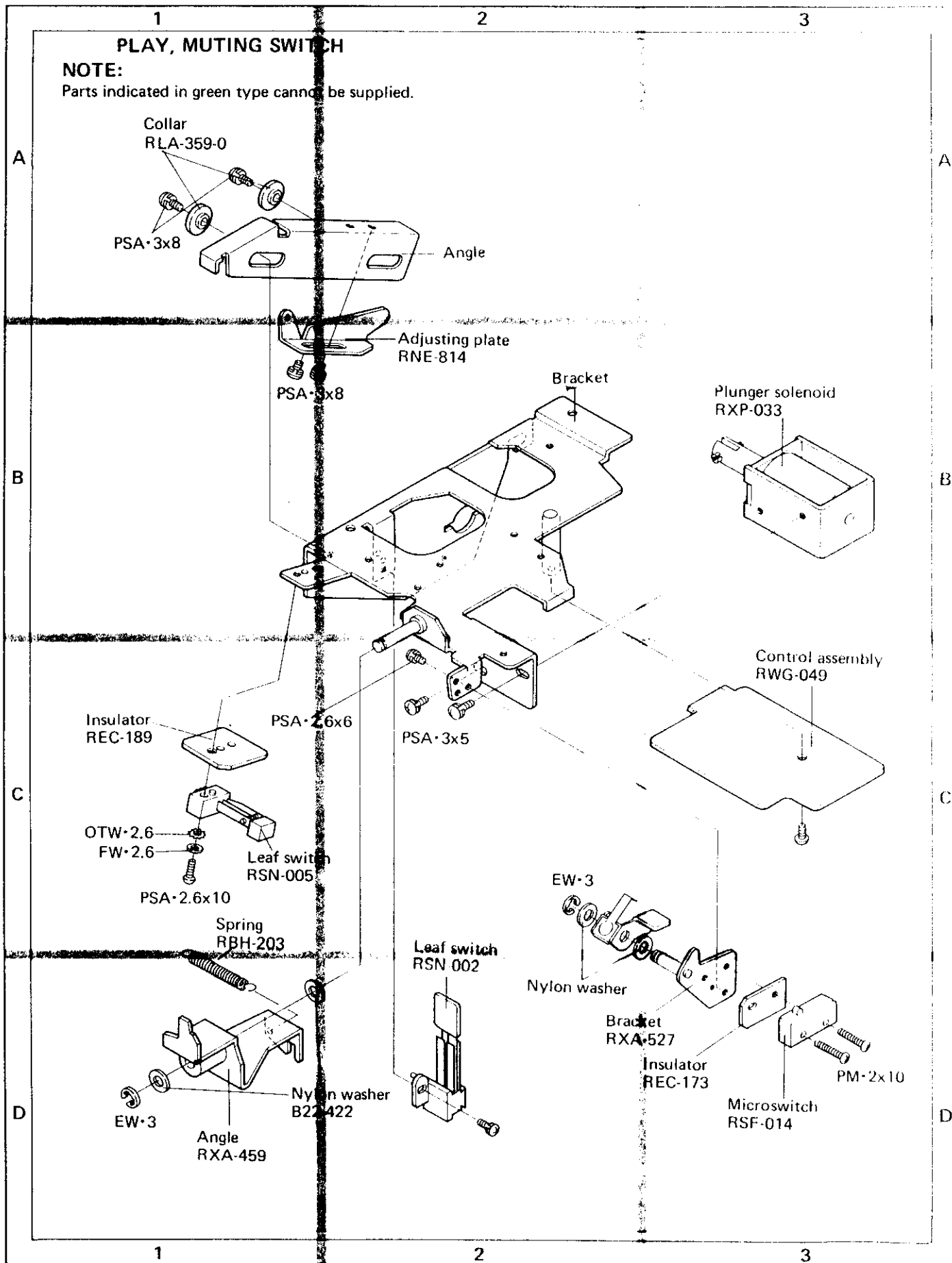
1 2 3

**TRANSPORT CHASSIS**

**NOTE:**

Parts indicated in green type cannot be supplied.

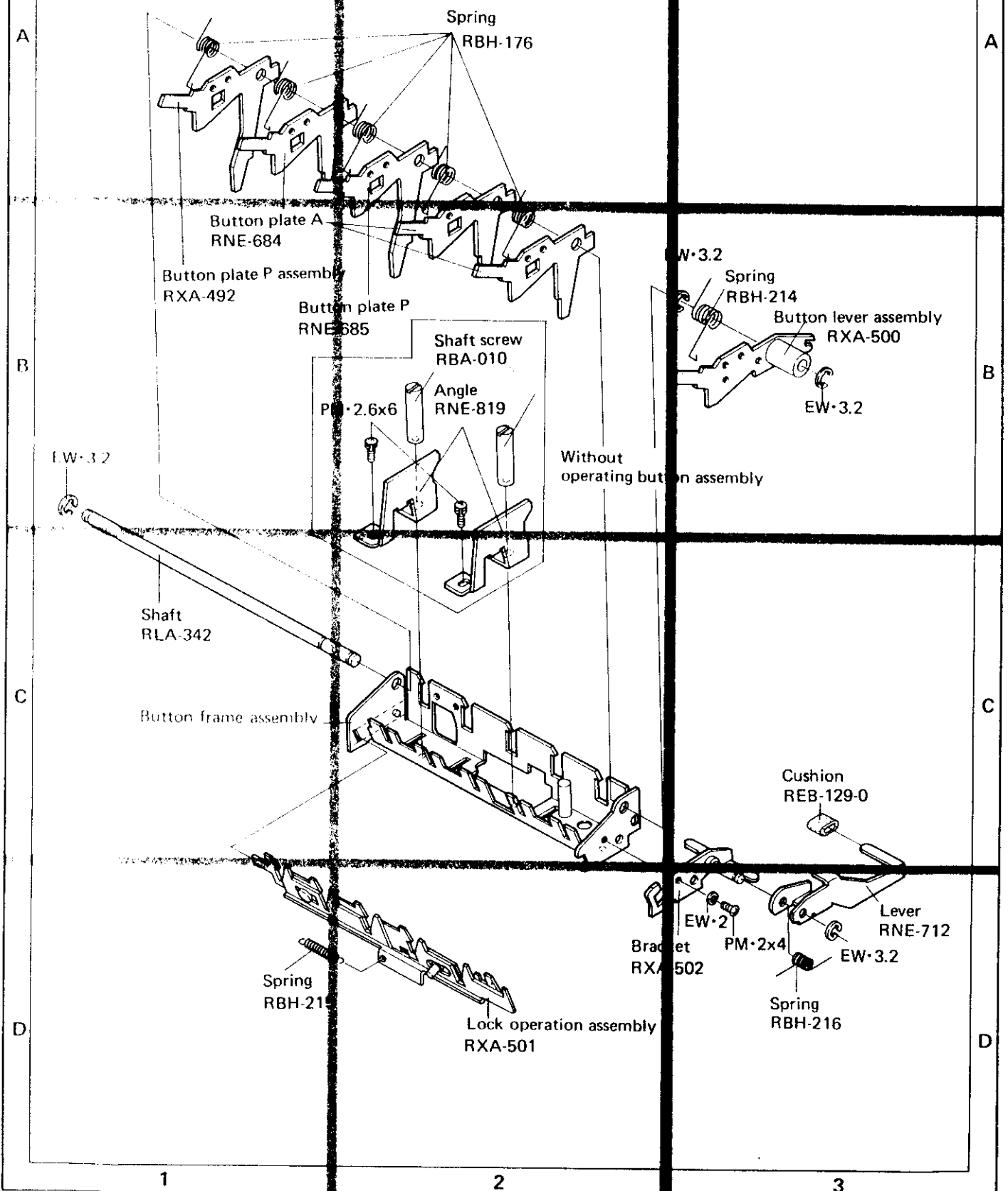




1 2 3  
**OPERATING BUTTON ASSEMBLY (RXA-498)**

**NOTE:**

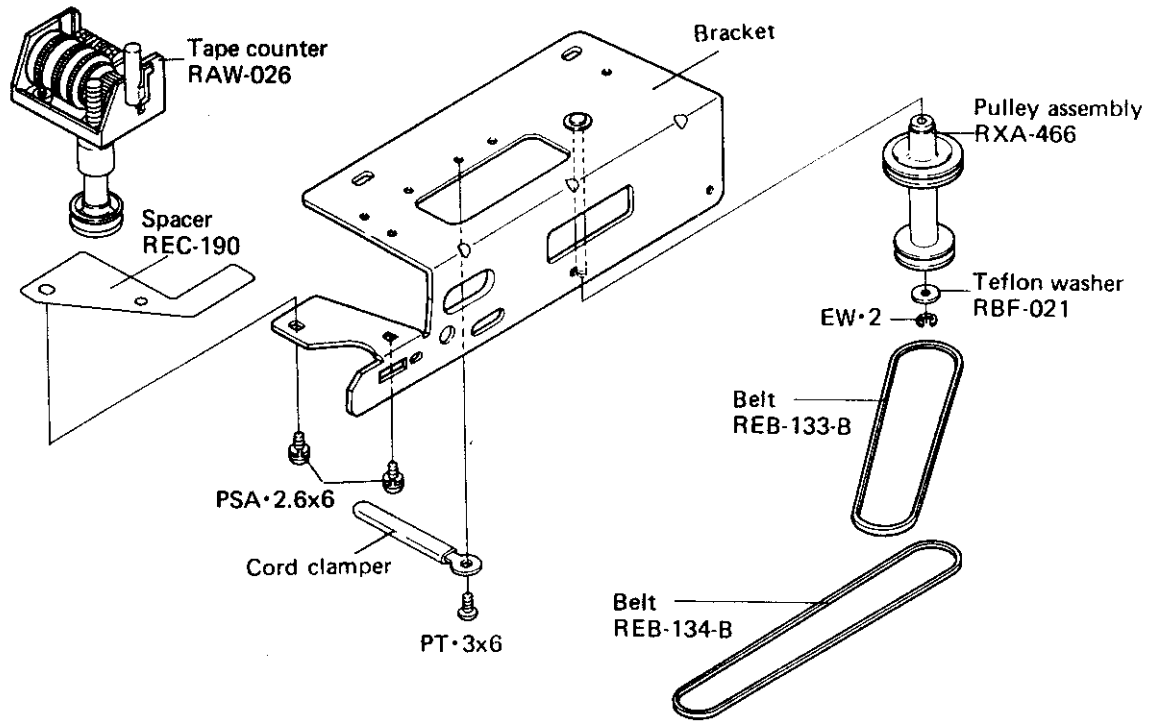
Part indicated in green type cannot be supplied.



## TAPE COUNTER

### NOTE:

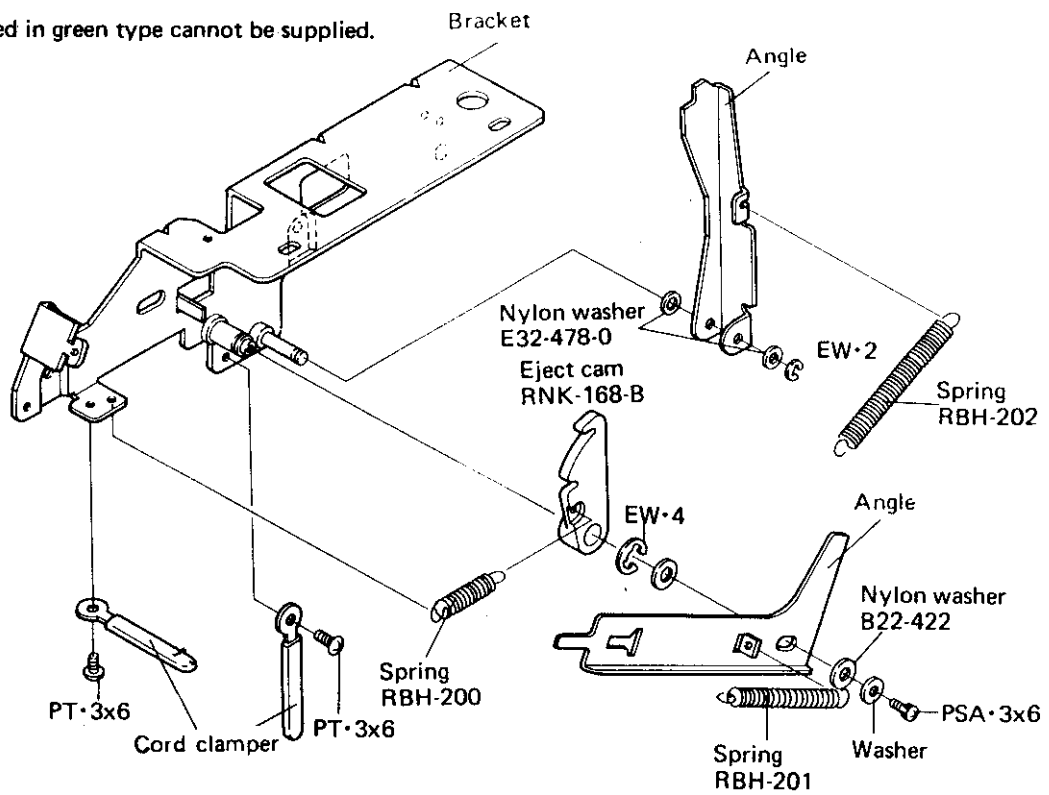
Parts indicated in green type cannot be supplied.



## EJECT BRACKET

### NOTE:

Parts indicated in green type cannot be supplied.



# CASSETTE TAPE DECK

# CT-F2121

NB, DV, DP

<ART-186-0>

**Additional**

# *Service Manual*

Employ this additional service manual for the units with serial numbers indicated in the table.

For detailed please refer to the Service Manual of CT-F2121/KCU, NB, DV, DP.

Model	Serial No.
NB	4206301 ~
DV	9425701 ~
DP	9512801 ~

 **PIONEER®**



# 1. ADJUSTMENTS

## 1.1 MUTING SWITCH ADJUSTMENT

When PLAY button is pressed, perform adjustment so that configuration shown in Fig. A-1 is obtained after contact 1 in Fig. A separates from contact 2.

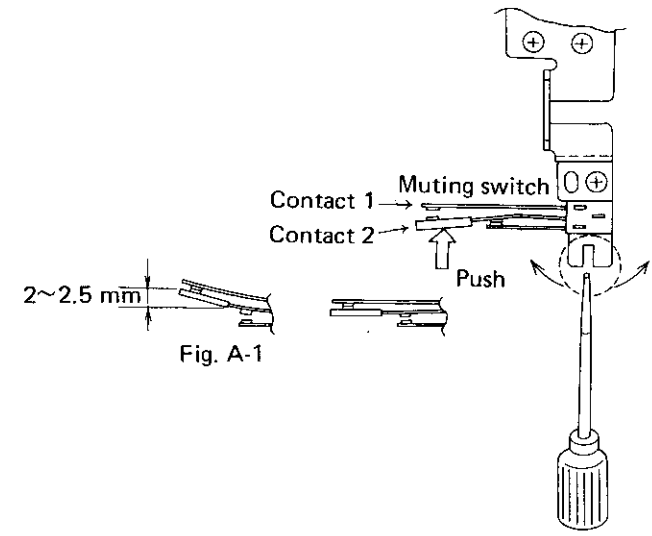


Fig. A

## 1.2 MOTOR SWITCH ADJUSTMENT

Set all FUNCTION buttons to OFF positions. Perform adjustment so that space A shown in Fig. B becomes 0.05 ~ 0.15 mm.

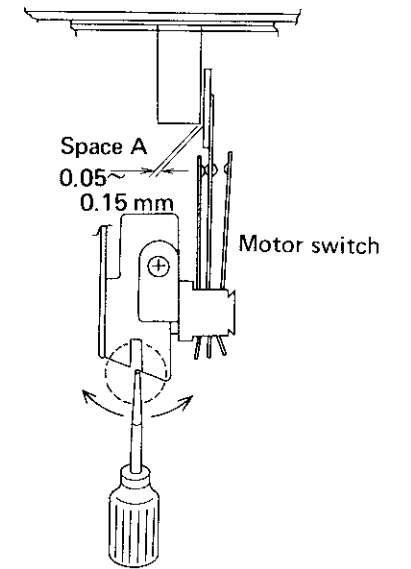
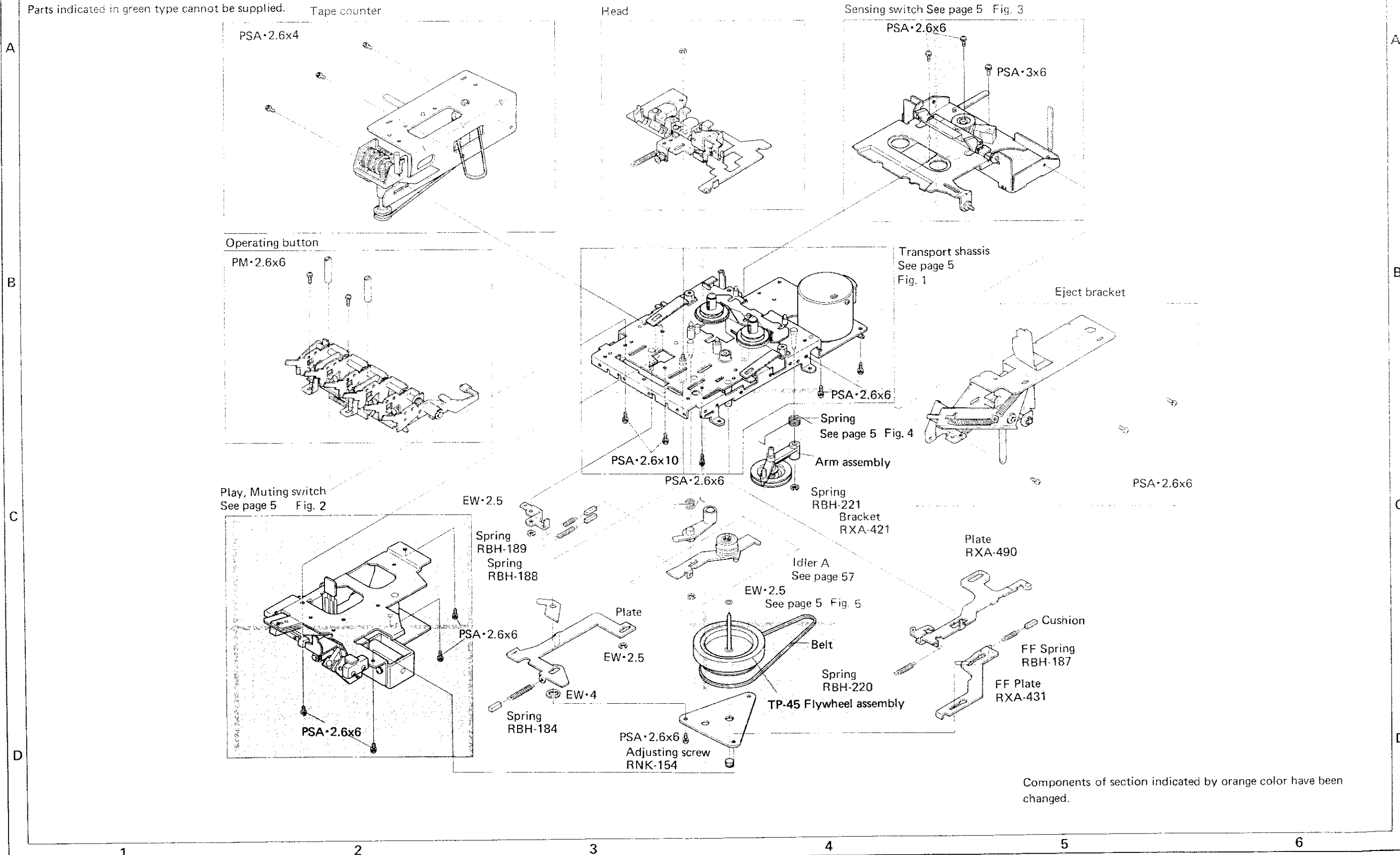


Fig. B

## 2. EXPLODED VIEW TRANSPORT

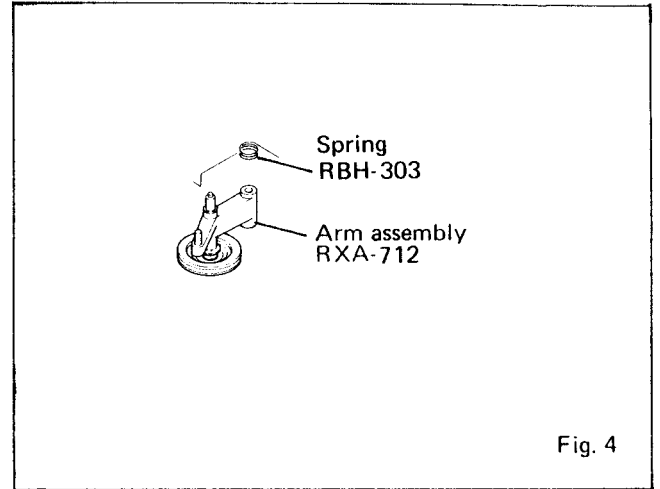
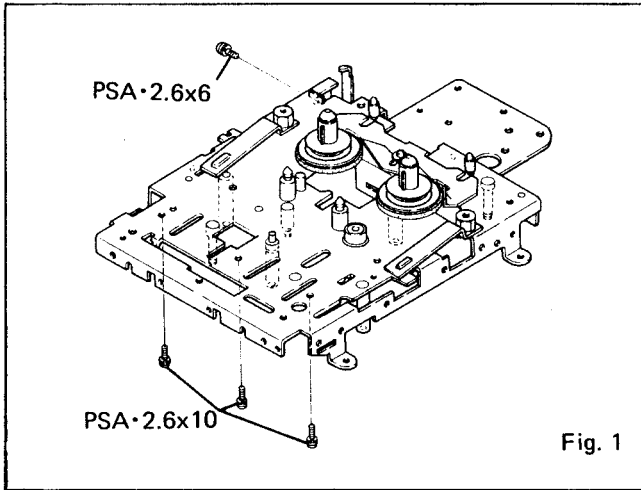
### NOTE:

Parts indicated in green type cannot be supplied.

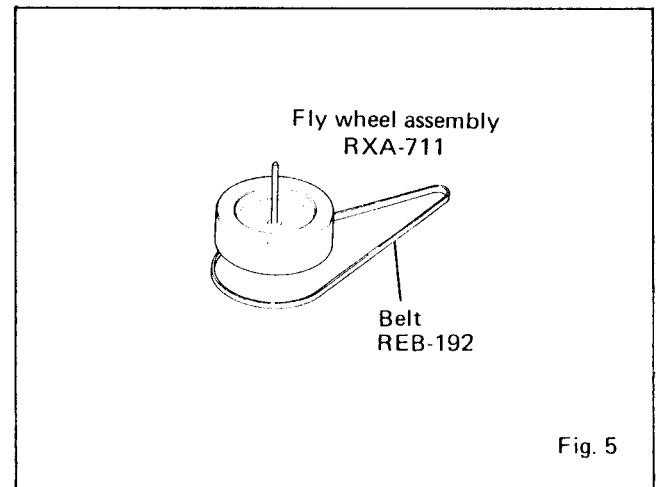
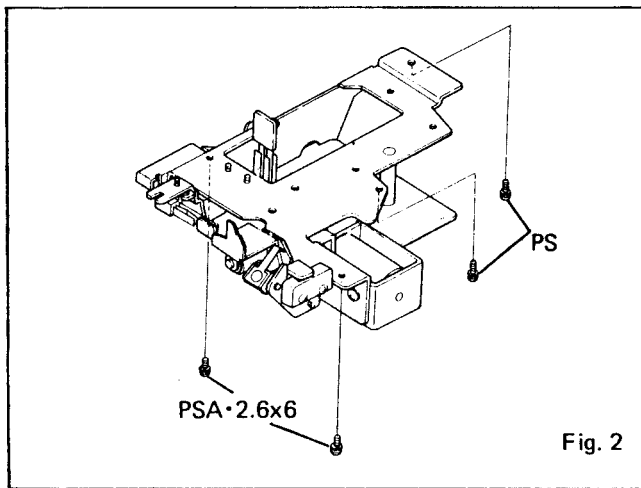


Components of section indicated by orange color have been changed.

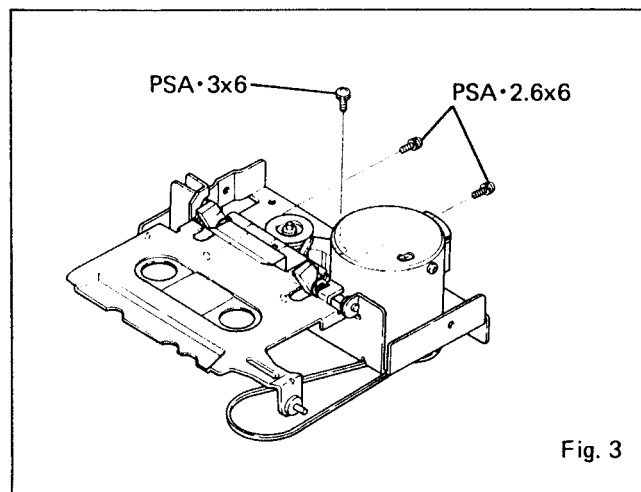
Transport shassis See page 6



Play, Muting switch See page 7



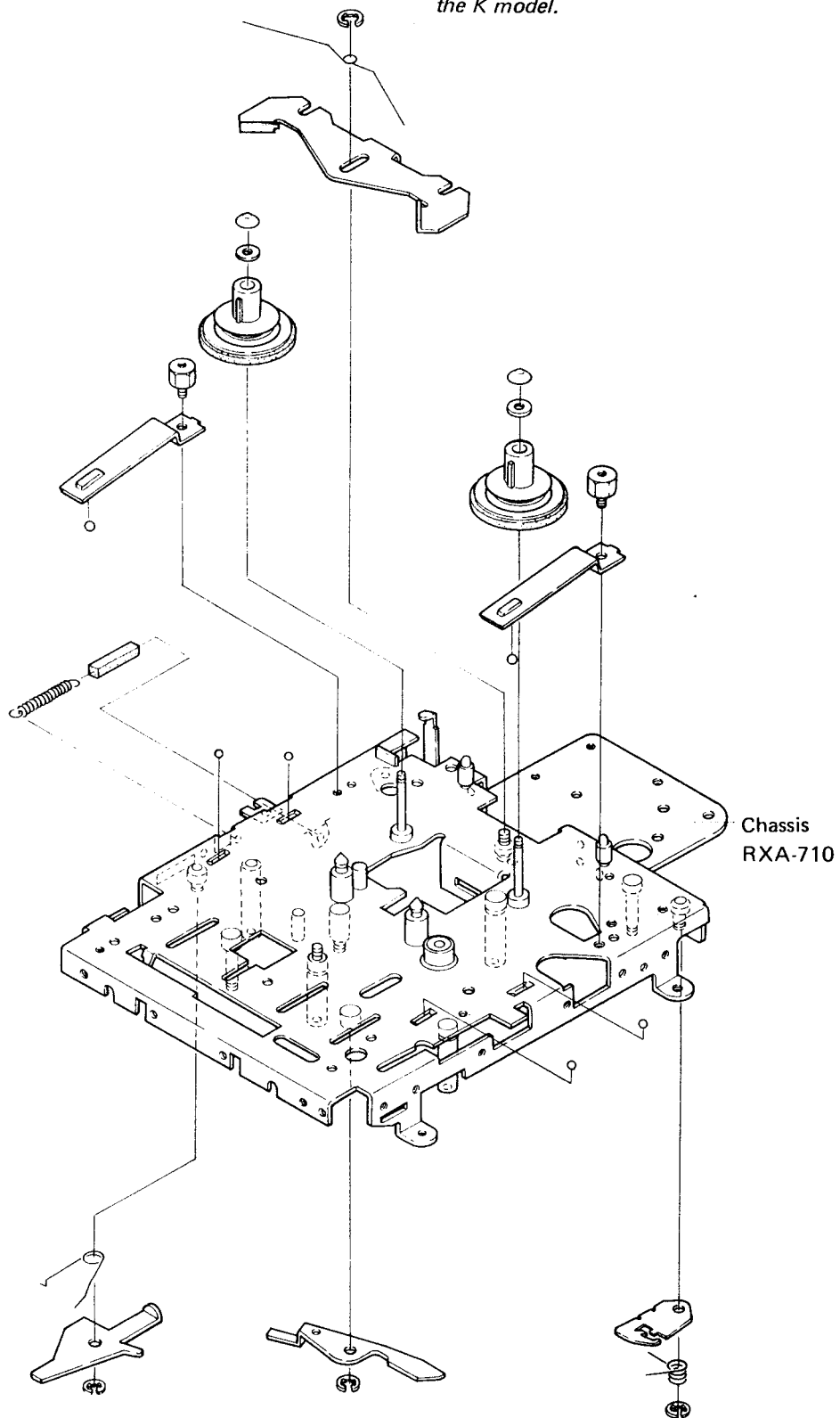
Sensing switch, Motor See page 8



## 2.1 TRANSPORT CHASSIS

*The parts indicated by designation and part numbers are newly-employed in the NB, DV, DP model.*

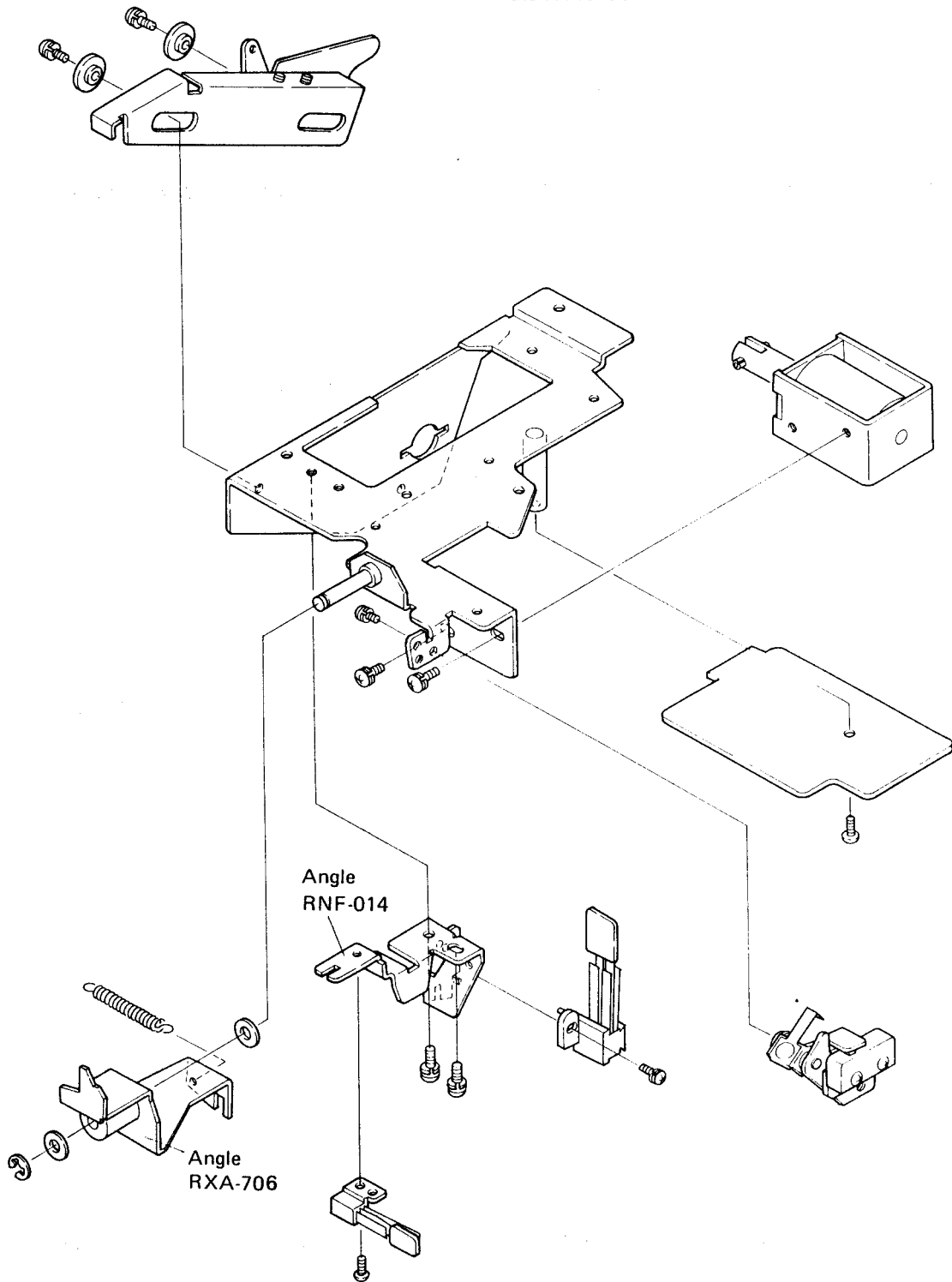
*The parts without description are the same as the parts in the K model.*



## 2.2 PLAY MUTING SWITCH

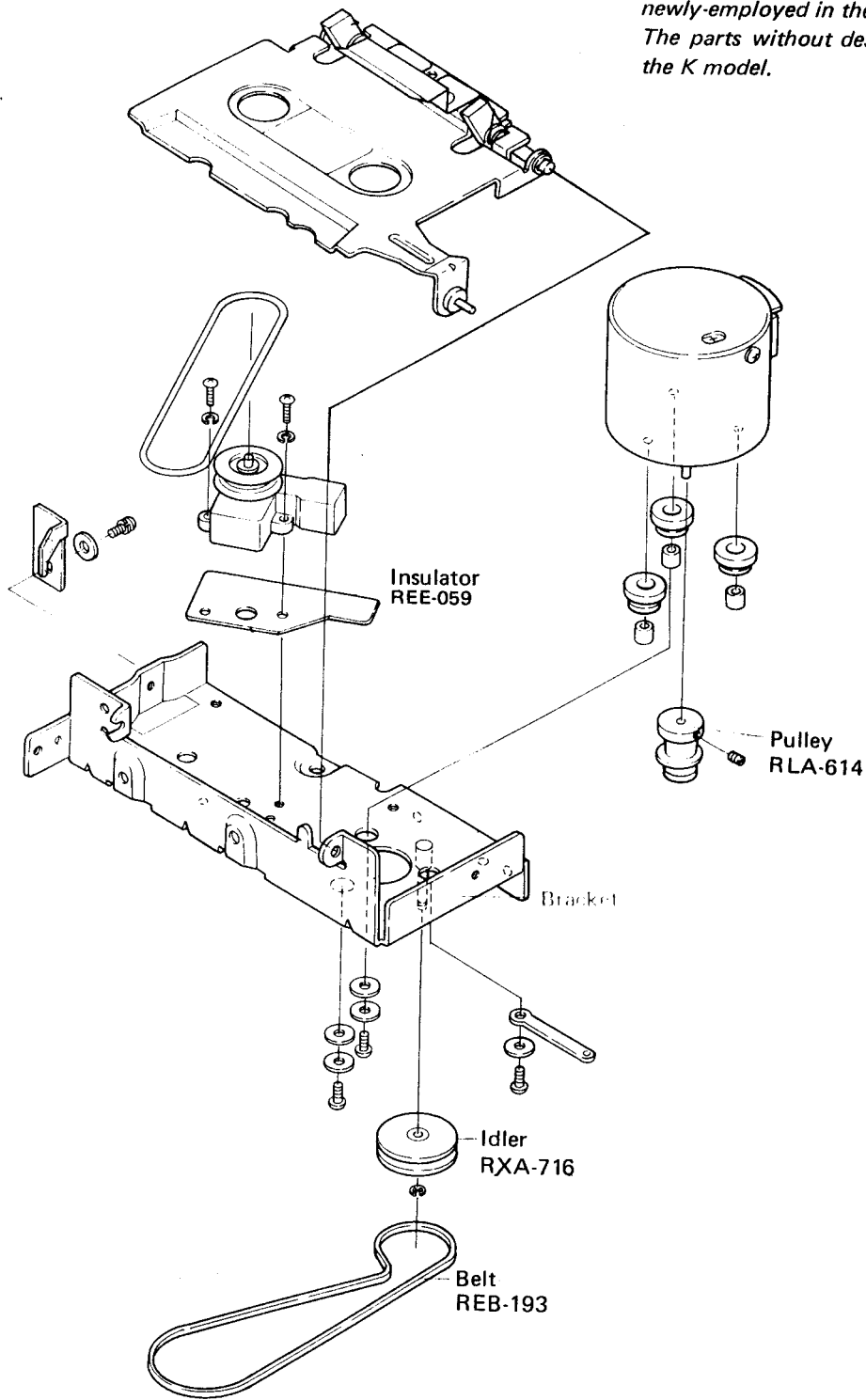
*The parts indicated by designation and part numbers are newly-employed in the NB, DV, DP model.*

*The parts without description are the same as the parts in the K model.*



## 2.3 SENSING SWITCH MOTOR

*The parts indicated by designation and part numbers are newly-employed in the NB, DV, DP model.  
The parts without description are the same as the parts in the K model.*



### **PIONEER ELECTRONIC CORPORATION**

4-1, Meguro 1-Chome, Meguro-ku, Tokyo 153, Japan  
**U.S. PIONEER ELECTRONICS CORPORATION**  
75 Oxford Drive, Moonachie, New Jersey 07074, U.S.A.  
**PIONEER ELECTRONIC (EUROPE) N.V.**  
Luithagensteenweg no. 9, 2030 Antwerp, Belgium  
**PIONEER ELECTRONICS AUSTRALIA PTY. LTD.**  
178-184 Boundary Road, Braeside, Victoria 3195, Australia