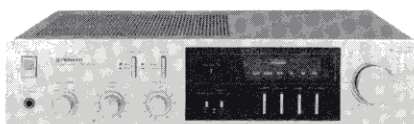


# Service Manual

**REPAIR & ADJUSTMENTS**



**ORDER NO.  
ART-640-0**

**STEREO AMPLIFIER**

# SA-620

**MODEL SA-620 COMES IN SIX VERSIONS DISTINGUISHED AS FOLLOWS:**

Type	Voltage	Remarks
KU	120V only	U.S.A. model
S	110V, 120V, 220V and 240V (Switchable)	General export model
S/G	110V, 120V, 220V and 240V (Switchable)	U.S. Military model
YP	240V only	Australia model
HE	220V and 240V (Switchable)	Europe model
HB	220V and 240V (Switchable)	United Kingdom model

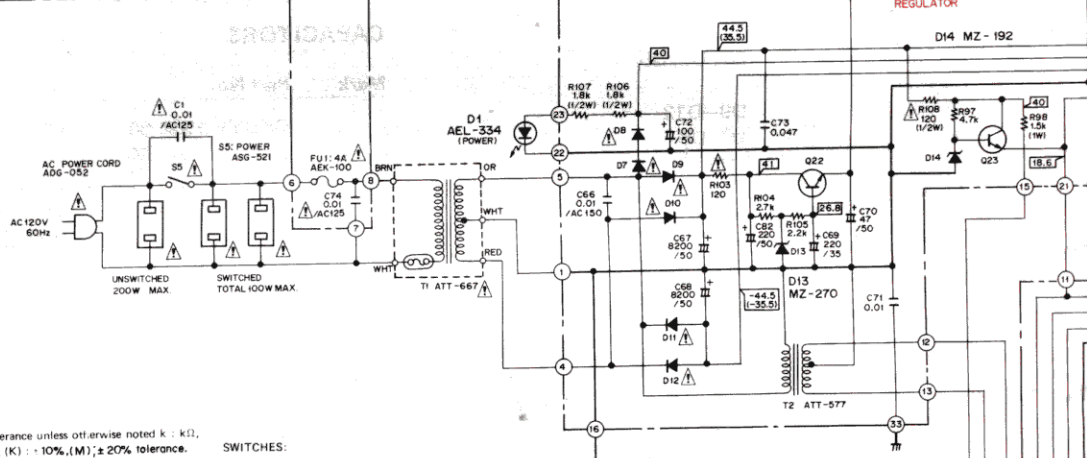
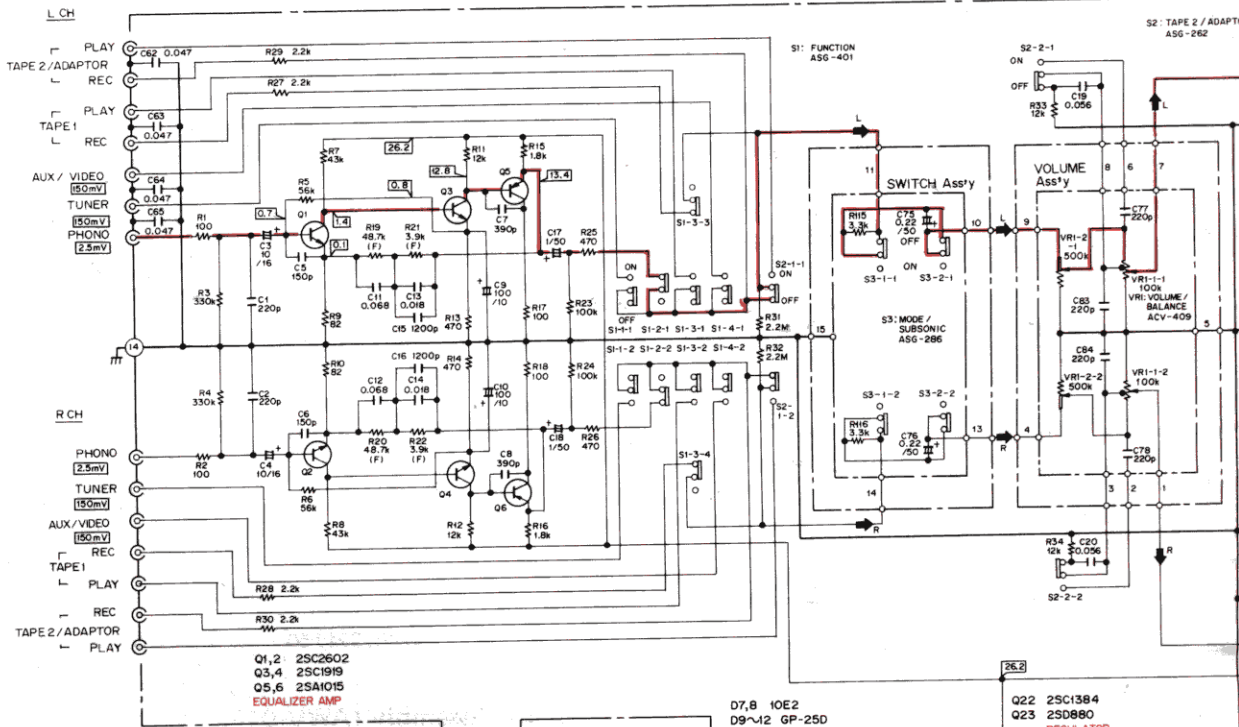
- This service manual is applicable to the KU type (pp. 1 – 18), YP type (pp. 19 – 26) and S, S/G types (pp. 27 – 32). When repairing the HE, HB types, please see the additional service manual (ART-641).
- For the circuit description, please refer to the supplement of model SA-720 service manual (ART-765).
- Ce manuel d'instruction se réfère au mode de réglage, en français.
- Este manual de servicio trata del método de ajuste escrito en español.

## CONTENTS

1. SPECIFICATIONS .....	2	8. ELECTRICAL PARTS LIST .....	13
2. FRONT PANEL FACILITIES .....	3	9. PACKING .....	15
3. BLOCK DIAGRAM .....	4	10. ADJUSTMENTS .....	16
4. PARTS LOCATION .....	5	RÉGLAGE .....	17
5. EXPLODED VIEWS .....	6	AJUSTE .....	18
6. P.C. BOARDS CONNECTION DIAGRAM .....	8	ADDITIONAL SERVICE MANUAL FOR YP, S AND S/G TYPES .....	19
7. SCHEMATIC DIAGRAM .....	11		

# SCHEMATIC DIAGRAM

AF Assy



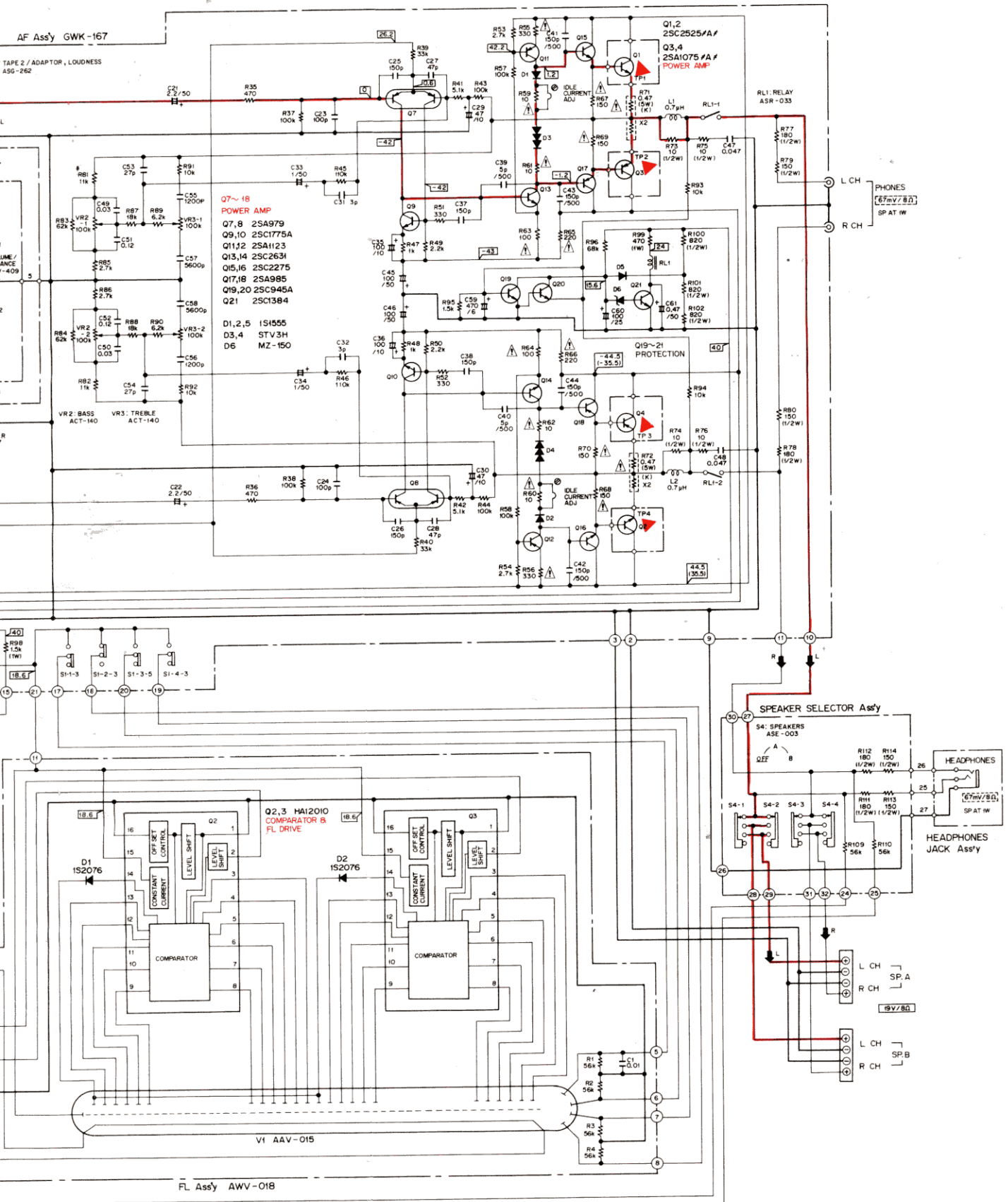
- RESISTORS:**  
Indicated in Ω, ¼W, +5% tolerance unless otherwise noted k : kΩ, M : MΩ, (F) : ±1%, (G) : ±2%, (K) : ±10%, (M) : ±20% tolerance.
- CAPACITORS:**  
Indicated in capacity (μF)/voltage (V) unless otherwise noted p; pF  
Indication without voltage is 50V except electrolytic capacitor.
- VOLTAGE**  
⊖ : Signal voltage at 45 W + 45 W 8Ω output (1kHz)  
⊕ : DC voltage (V) at no input signal  
Value in ( ) is DC voltage at rated power.
- OTHERS:**  
⤴ : Signal route  
⊗ : Adjusting point  
⚠ : The ⚠ mark found on some component parts indicates the importance of the safety factor of the part. Therefore, when replacing, be sure to use parts of identical designation.

- SWITCHES:**
- S1-1 : FUNCTION (TUNER) ON - OFF
  - S1-2 : FUNCTION (PHONO) ON - OFF
  - S1-3 : FUNCTION (TAPE 1) ON - OFF
  - S1-4 : FUNCTION (AUX / VIDEO) ON - OFF
  - S2-1 : TAPE 2 / ADAPTOR ON - OFF
  - S2-2 : LOUDNESS ON - OFF
  - S3-1 : MODE STEREO - MONO ON - OFF
  - S3-2 : SUBSONIC ON - OFF
  - S4 : SPEAKERS OFF - A - B ON - OFF
  - S5 : POWER ON - OFF
- The underlined indicates the switch position.

This is the basic schematic diagram, but the actual circuit may vary due to improvements in design.

NOTE:

The indicated semiconductors are representative ones only. Other alternative semiconductors may be used and are listed in the parts list.



AF Assy GWK-167

TAPE 2 / ADAPTOR, LOUDNESS ASG-262

TIME / PANCE -409

VR2: BASS ACT-140 VR3: TREBLE ACT-140

**Q7~18 POWER AMP**  
 Q7,8 2SA979  
 Q9,10 2SC1775A  
 Q11,12 2SA1123  
 Q13,14 2SC2631  
 Q15,16 2SC2275  
 Q17,18 2SA985  
 Q19,20 2SC945A  
 Q21 2SC1384

D1,2,5 1S1555  
 D3,4 STV3H  
 D6 MZ-150

**Q2,3 HA12010**  
 COMPARATOR & FL DRIVE

V1 AAV-015

FL Assy AWW-018

SPEAKER SELECTOR Assy

S4: SPEAKERS ASE-003

HEADPHONES

HEADPHONES JACK Assy

SP A

SP B

L CH R CH

L CH R CH

L CH R CH

L CH R CH

L CH R CH

L CH R CH

L CH R CH

L CH R CH

L CH R CH