

SPECIFICATIONS

• FM SECTION

Frequency range	88 – 104 MHz
Sensitivity (75 ohms) Mono	1.2 μ V (S/N 26 dB)
[DIN] Stereo	50 μ V (S/N 46 dB)
Image rejection (at 98 MHz)	40 dB
IF rejection (at 98 MHz)	85 dB
Harmonic distortion	Mono 0.2%
	Stereo 0.3%
Signal-to-noise ratio	65 dB
Selectivity (\pm 400 kHz)	60 dB
Stereo separation	40 dB (1 kHz)

• AM SECTION (SW, MW and LW)

Frequency range	SW 5.8 – 10 MHz
	MW 530 – 1605 kHz
	LW 150 – 350 kHz
Sensitivity	SW 13 μ V
[S/N = 20 dB]	MW 300 μ V/m
	LW 800 μ V/m
Selectivity (\pm 10 kHz)	32 dB
Signal-to-noise ratio	40 dB
Distortion	1%

• AUDIO SECTION

Sinus power	2 x 35 W (8 ohms)
(at 1 kHz, T.H.D. 0.8%)	2 x 40 W (4 ohms)
Frequency characteristics	20 Hz – 30 kHz (\pm 1 dB)
Harmonic distortion (at Rated output)	0.8%
(at -3 dB output)	0.1%
Intermodulation distortion	0.3%
Input sensitivity	PHONO 2.5mV/47k ohms
	TAPE-1 500mV/50k ohms
	TAPE-2 500mV/50k ohms
Crosstalk (1 kHz)	PHONO 50 dB
	TAPE 50 dB
Signal-to-noise ratio	PHONO 60 dB
(at 2 x 50 mW)	TAPE 60 dB
Damping factor	35 (1 kHz, 8 ohms)
Equalizer	RIAA \pm 1 dB
Bass control	\pm 10 dB (100 Hz)
Treble control	\pm 10 dB (10 kHz)
Loudness control	+9 dB (100 Hz), +4 dB (10 kHz)
Power supply	AC 220 – 240V, 50/60 Hz
Power consumption	220W
Dimensions	520 (W) x 120 (H) x 270 (D) mm
Weight	9 kg (19.8 lbs.)

Specifications and designs may be changed without notice for improvement.

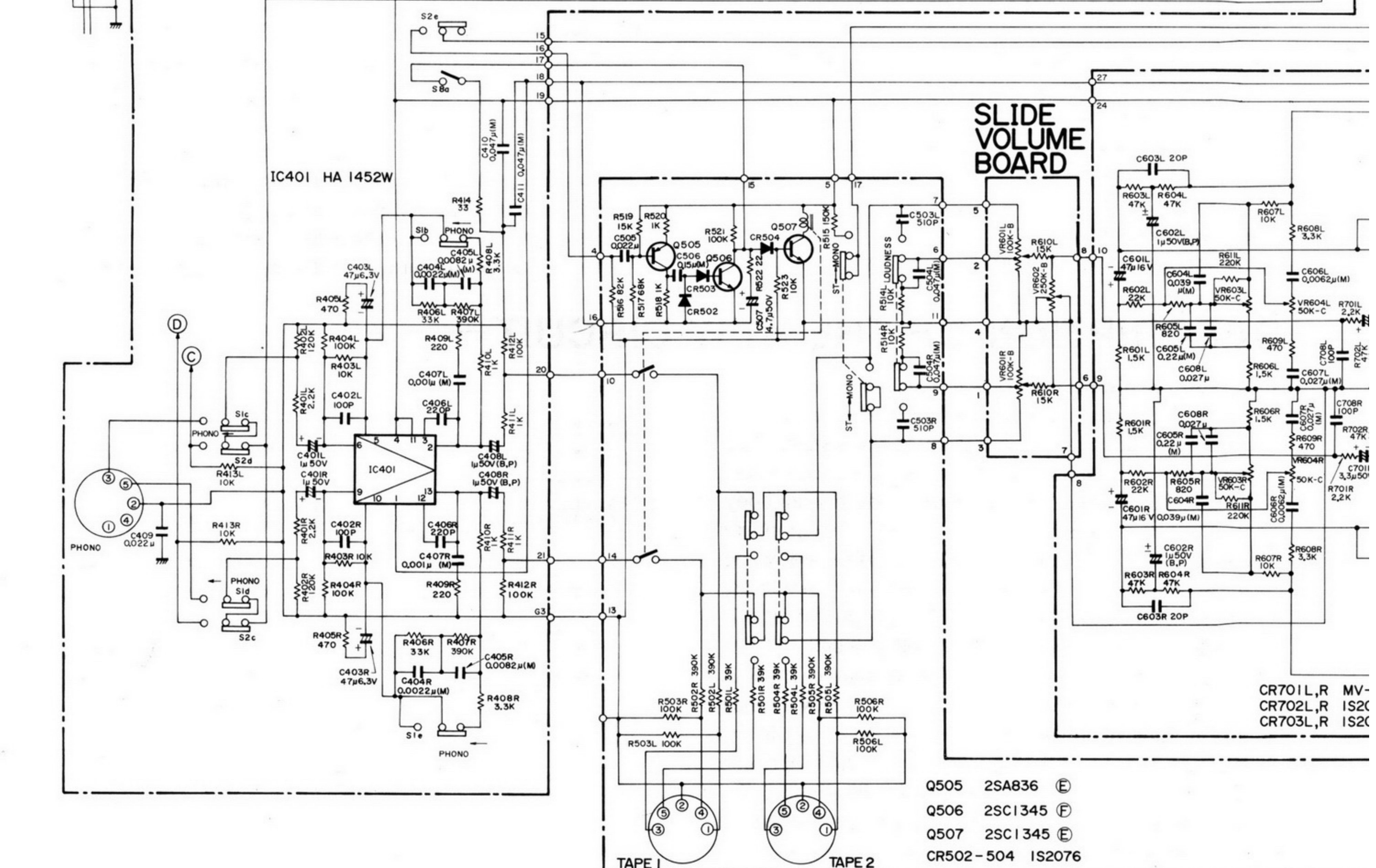
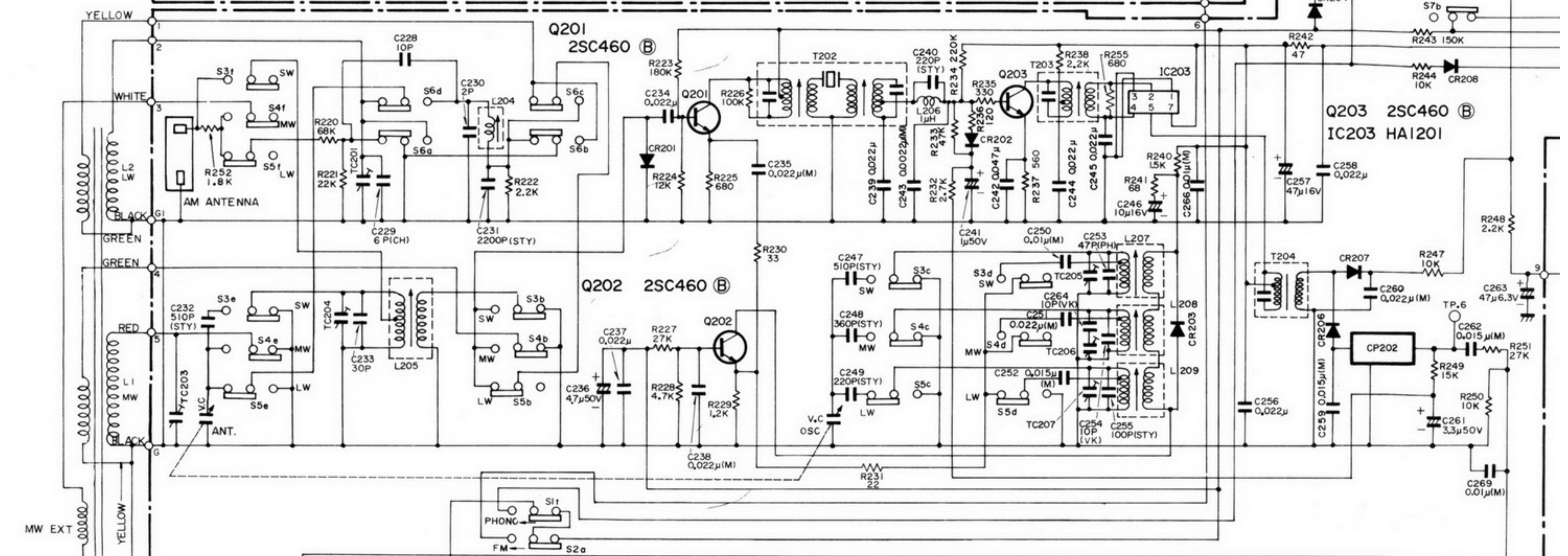
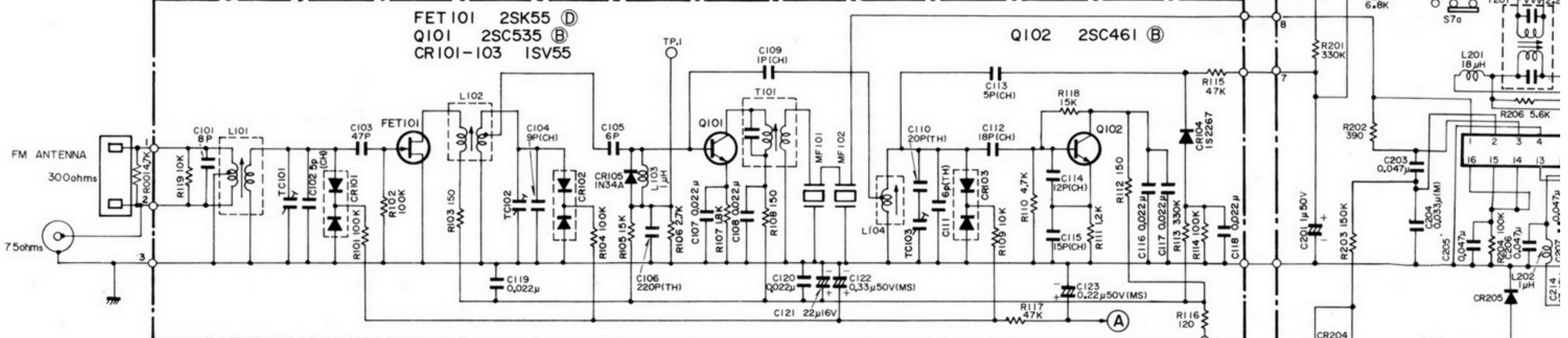
STEREO RECEIVER

December 1976

CIRCUIT DIAGRAM

TUNER I

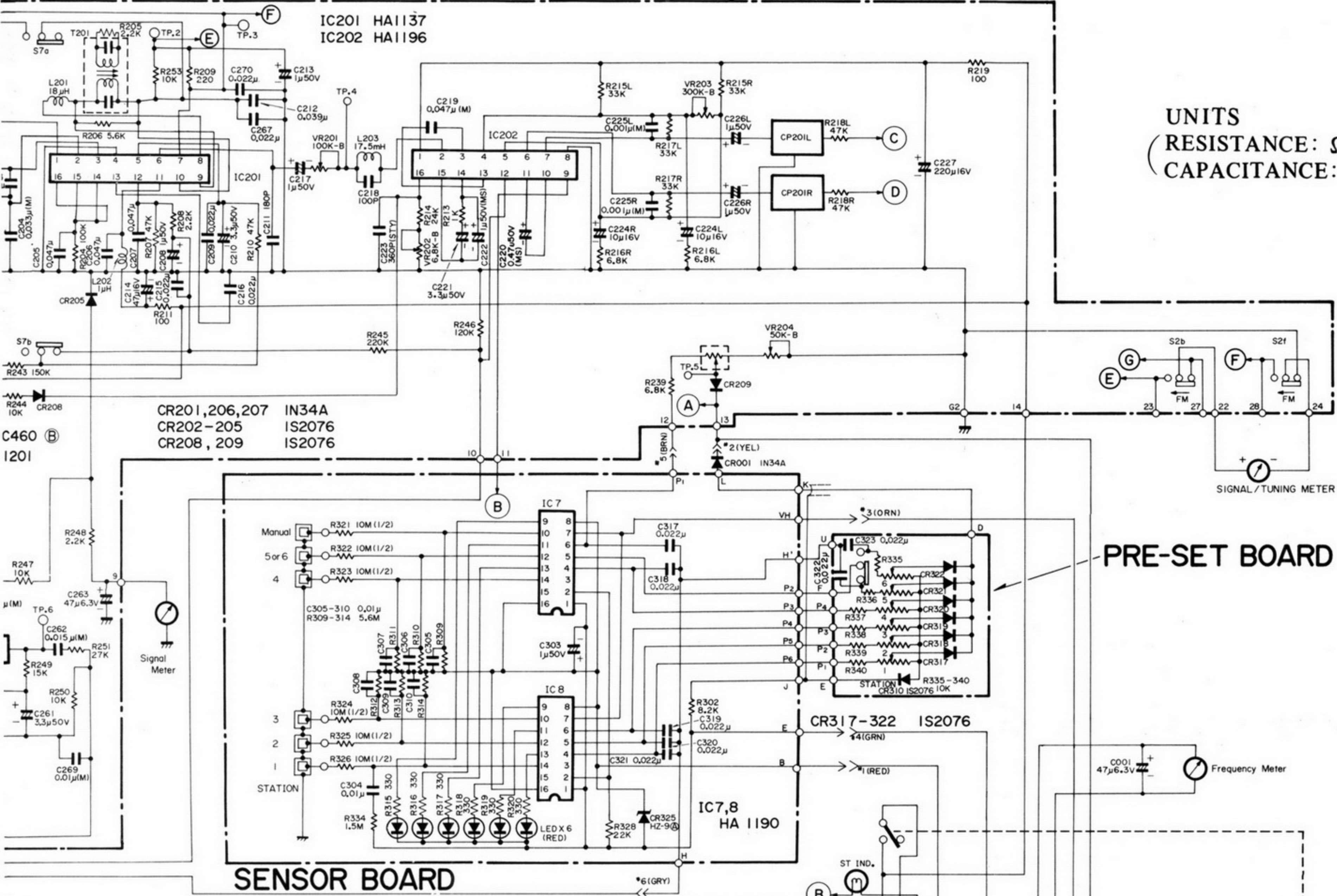
FM FRONT END



SUB BOARD

The circuit diagram is subject to change for improvement without notice.

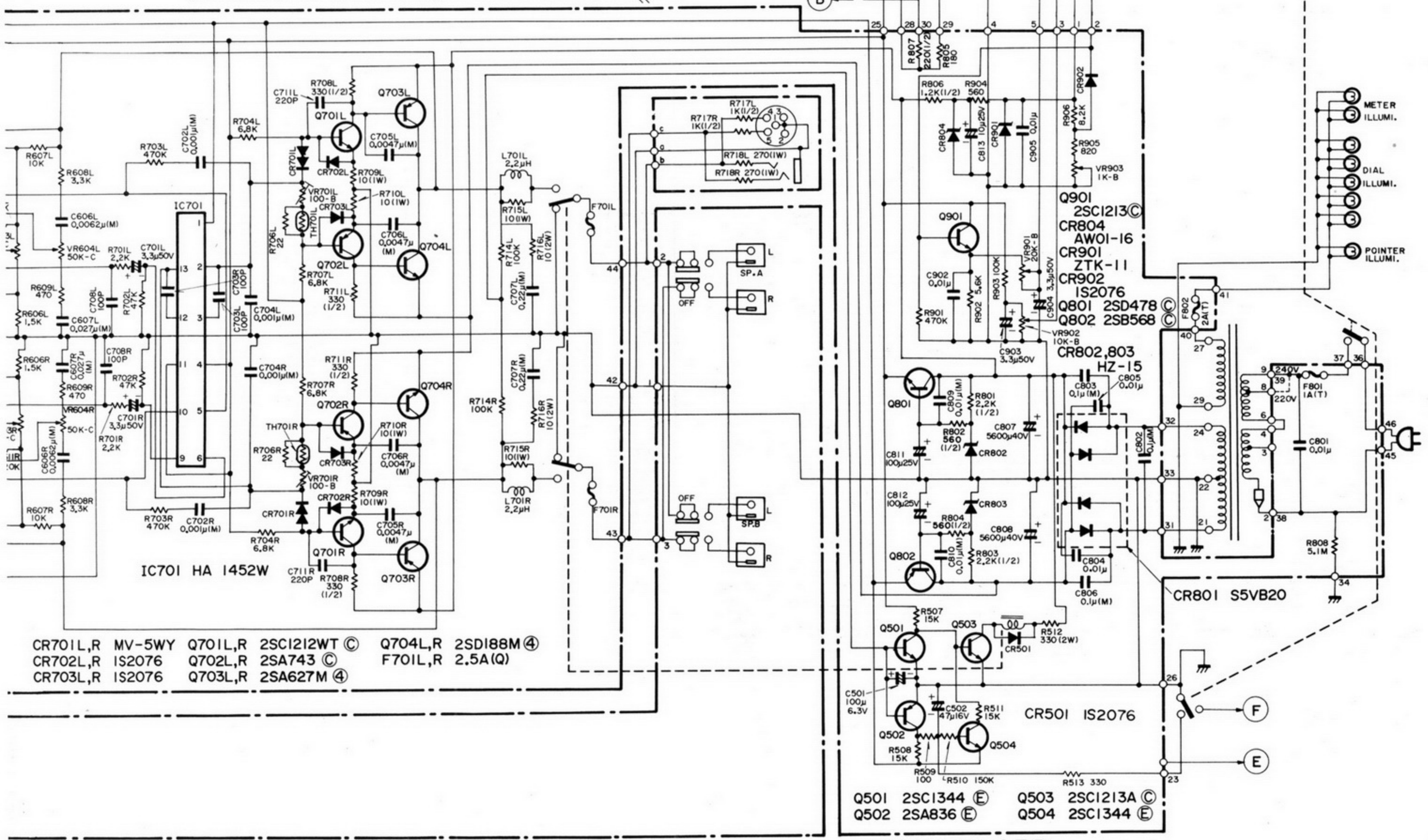
TUNER BOARD



UNITS
(RESISTANCE: Ω
CAPACITANCE: F)

SENSOR BOARD

PRE-SET BOARD



MAIN BOARD

CR701L,R MV-5WY Q701L,R 2SC1212W © Q704L,R 2SD188M ④
 CR702L,R IS2076 Q702L,R 2SA743 © F701L,R 2.5A(Q)
 CR703L,R IS2076 Q703L,R 2SA627M ④

Q501 2SC1344 (E) Q503 2SC1213A ©
 Q502 2SA836 (E) Q504 2SC1344 (E)