

TANDBERG

TR 2040

Illustrated Parts List

INSTRUCTIONS FOR ORDERING REPLACEMENT PARTS

For service and replacement parts contact your nearest Tandberg office or write to: Tandbergs Radiofabrikk A/S
Service and Spares Department
P.O. Box 218
N 1301 Sanvika, Norway Telex: 18007 kurer n

When ordering please quote the model and serial numbers together with the ordering number and the full description of each part required. The serial number is a seven digit number found on the rear of the apparatus.

Example: Model TR 2040 Serial number xxxxxxxx
344678 Knapp
341941C Lager

Note! The numbers on the illustrations are index numbers and must not be used when ordering. Please refer to the parts list for the ordering number and description.

* These parts are not available as replacement parts.

INSTRUKS FOR BESTILLING AV DELER

For service og servicedeler kontakt nærmeste Tandberg kontor eller bruk adressen som er vist ovenfor.

Modell og serienummer må alltid oppgis ved bestilling av deler. Bestillingsnr. og beskrivelse finnes i listen. Det serienr. finnes på baksiden av apparatet.

Eksempel: Modell TR 2040 Serienr. xxxxxxxx
344678 Knapp
341941C Lager

Merk! Tallene på tegningen er indeksnumre og må ikke brukes ved bestilling. Bestillingsnr. og beskrivelse finnes i listen.

* Leveres ikke som service del.



Connectors and switches

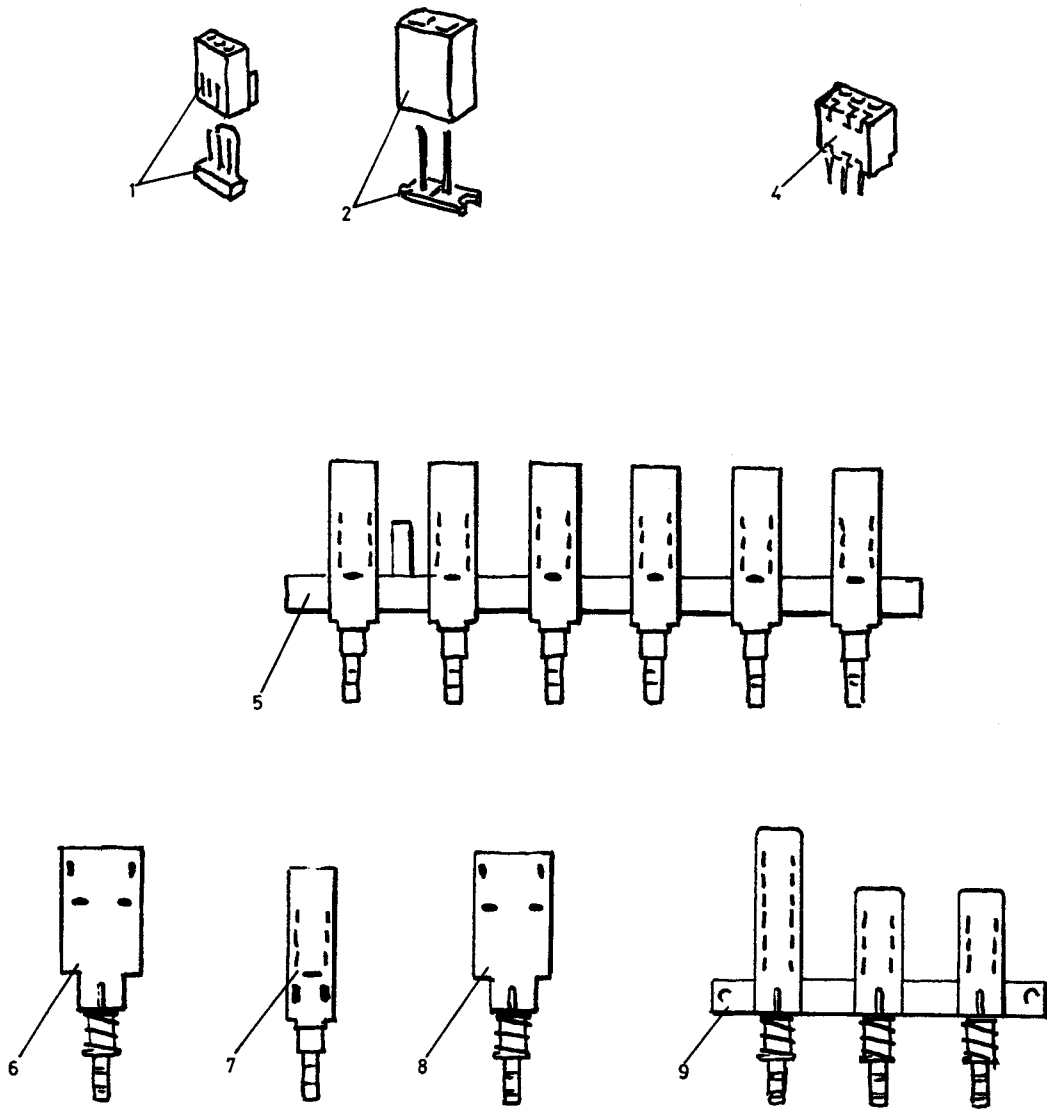


Fig.3 Connectors and switches

Index	SPECIFY THIS WHEN ORDERING		Description (notes)	Reference
	Ordering No.	Beskrivelse (merkrader)		
1	*	KONTAKTER	CONNECTORS	
	995818	Kontakt	Connector, 2 pole, small	
	995819	Kontakt	Connector, 3 pole, small	
	995820	Kontakt	Connector, 4 pole, small	
	995823	Kontakt	Connector, 7 pole, small	
2	995824	Kontakt	Connector, 2 pole, large	
4	318320	Kontakt	Connector, fixed, 3 pole	
5	*	VENDERE	SWITCHES	
	362715	Vender	Switch, push	
	345798	Vender	Switch, push	
	354131	Vender	Switch, push	
	8	347479	Vender	Switch, push
9	364396	Vender	Switch, push	

Chassis assembly

SPECIFY THIS WHEN ORDERING				
Index	Ordering No.	Beskrivelse (merknader)	Description (notes)	Reference
	*	SJASSIS-ENHET	CHASSIS ASSEMBLY	
1	342681	Skinne	Plate, front	
2	343622A	Ramme	Surround, push button, plastic	
3	341589C	Arm	Arm, push button	
4	344678	Knapp	Button, push	ON-OFF, TAPE 1, TAPE 2, PHONO, FM, P1, P2, P3, P4, P5
5	341941C	Lager	Bearing, nylon	
6	365689	Knapp	Knob	VOLUME, BALANCE, BASS, TREBLE
7	369755	Knapp	Knob	TUNING
8	991605	Kontakt	Socket, jack, 3 pole 1/4"	PHONES
9	343270	Arm	Button, push, black, plastic	LOUDNESS, MONO, LO-FILT, HI-FILT
10	349497	Arm	Button, push, black, plastic	SPEAKERS, MUTE
11	330281	Potensiometer	Potentiometer, 100 k ohm	P1, P2, P3, P4, P5
12	341000	List	Moulding, front, plastic	
13	342408	Skinne	Plate, chassis, side	
14	346854	Skrue	Screw, 3.5 x 6.3 mm hex hd, with collar	
15	217280	Mutter	Nut, 4 mm	
16	360410	Plate	Cover, bottom	
17	352421	Fot	Foot, plastic	
18	342487	Skinne	Plate, rear	
19	312063	Kontakt	Socket, antenna	
20	356883	Skinne	Bracket, heatsink	
21		Transistor	Transistor	
22	*	Skive	Washer	
		(lev. m/index 21)	(supplied with index 21)	
23	*	Skive	Washer	
		(lev. m/index 21)	(supplied with index 21)	
24	352787	Skrue	Screw, 2.9 x 13 mm hex hd, with collar	
25	231878	Skive	Washer, 3.2 mm	
26	317243	Vinkel	Bracket, angle	
27	284744	Hylse	Grommet, cable, power	
28	357630	Ledning	Cable, power, with europlug	European version
	346388	Ledning	Cable, power	U.S.A. version
29	994234	Kort	Board, output amplifier	
30	267696	Kontakt	Socket, loudspeaker, DIN	SPEAKERS
31	268832	Kontakt	Socket, 5 pin DIN 180 degrees	PHONO, TAPE 1, TAPE 2
32	344089	Skinne	Plate, chassis	
33	356912	Transformator	Transformer	
34	348442	Brakett	Bracket	
35	309901A	Plate	Board	
36	994232	Kort	Board, FM-IF + decoder	
37	995848	Tuner 4	Tuner 4,FM	
38	994233	Kort	Board, tone control	
39	277509	Holder	Holder, fuse	
40	310124	Lampe	Bulb, 12 V 3 W	
41	270526	Sikring	Fuse, 800 mA, 5 x 20 mm, slow	F902
42	363909	Holder	Holder, fuse	
43	272207	Sikring	Fuse, 1.6 A, 5 x 20 mm, slow	F901, 220-240 V
	291151	Sikring	Fuse, 3.15 A, 5 x 20 mm, slow	F901, 120 V
44	345798	Vender	Switch, push	ON-OFF
45	344951A	Arm	Arm, push button	
46	359677	Skinne	Moulding, front	
47	309132	Skinne	Plate, top	
48	351336	Kabinett	Panel, teak	
	347277	Kabinett	Panel, rosewood	
	348958	Kabinett	Panel, walnut	
	354698	Kabinett	Panel, black	
49	358937	Skrue	Screw, 4 x 20 mm ch hd, black	
50	994241	Kort	Board, FM preset	
51	360467	Holder	Holder, board	
52	361796	Lokk	Cover, plastic	

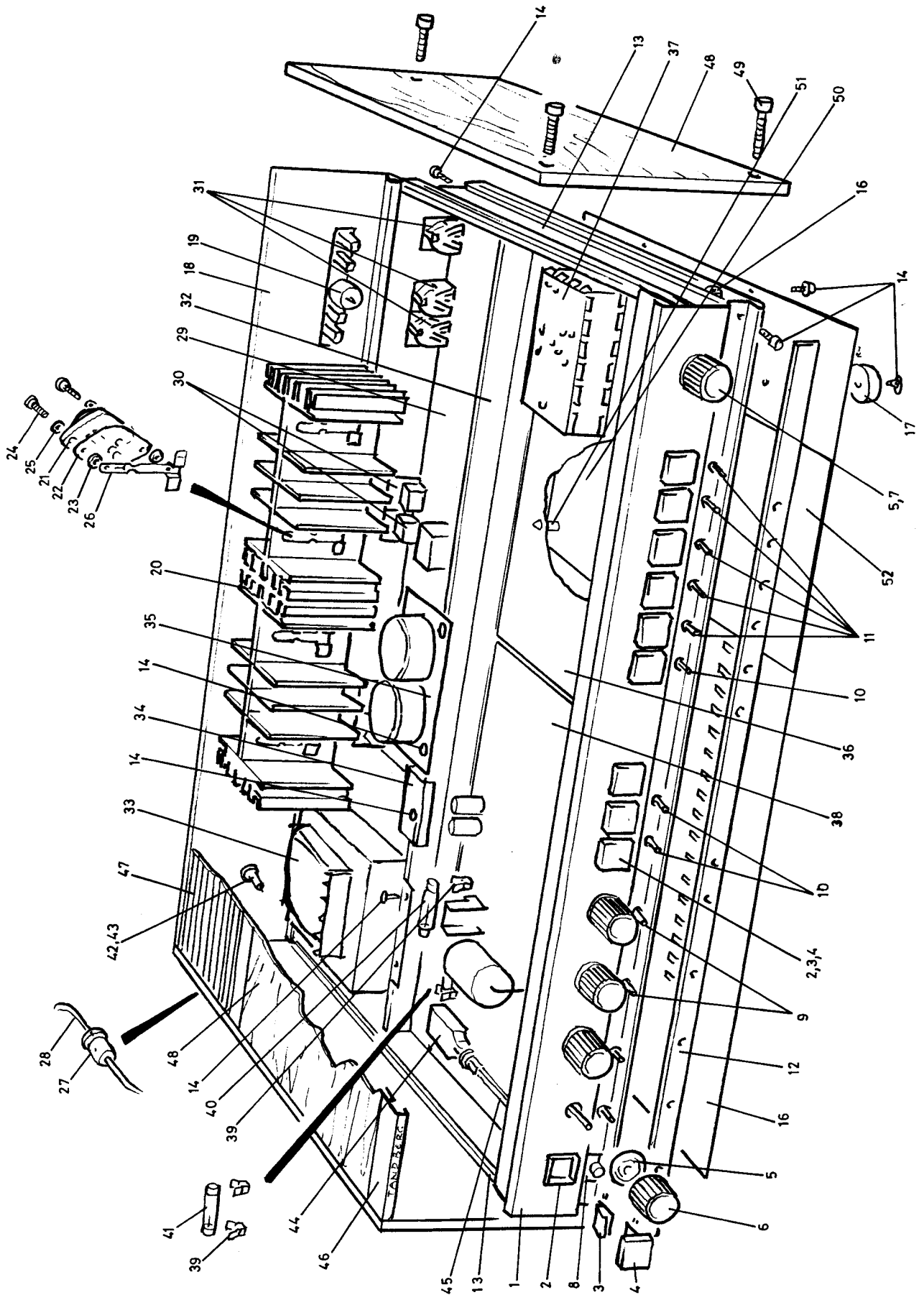


Fig.1 Chassis assembly

Dial assembly

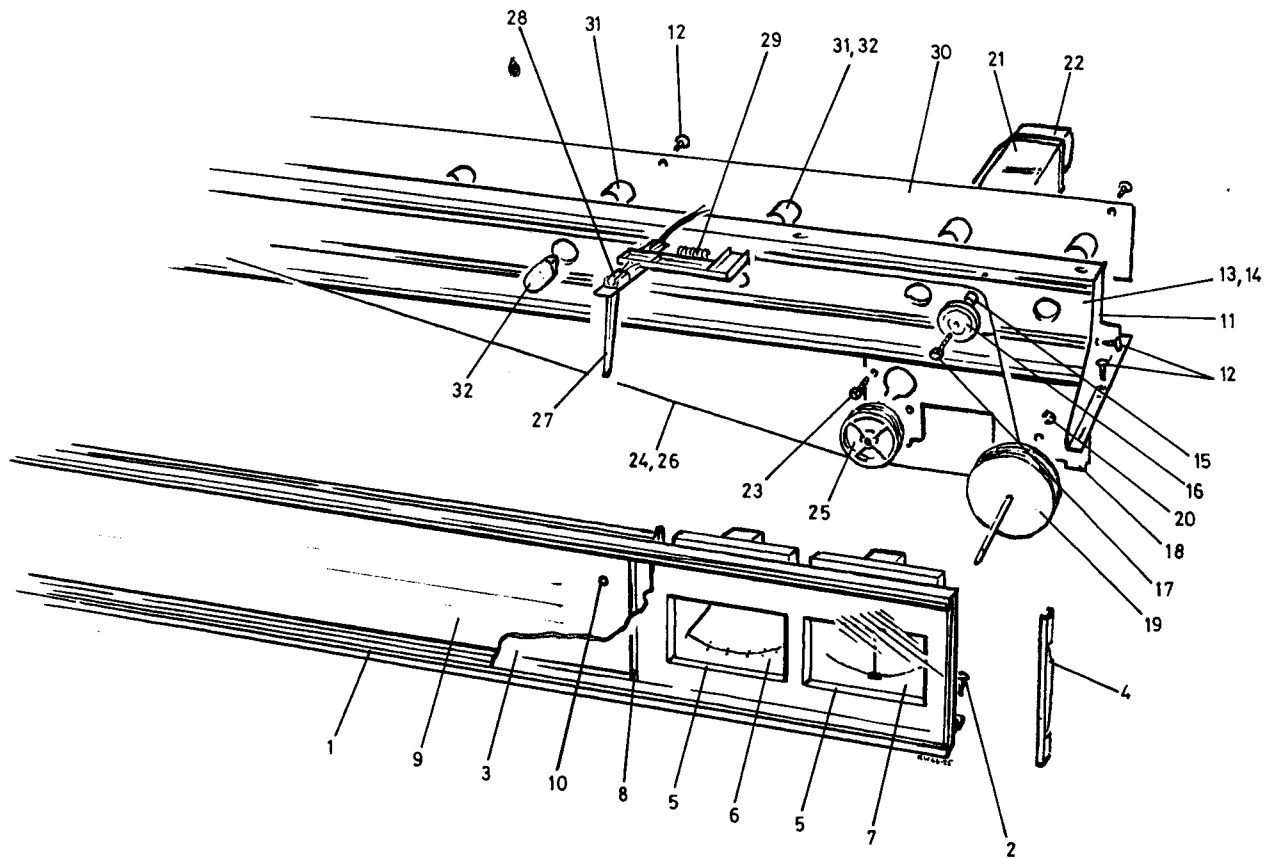
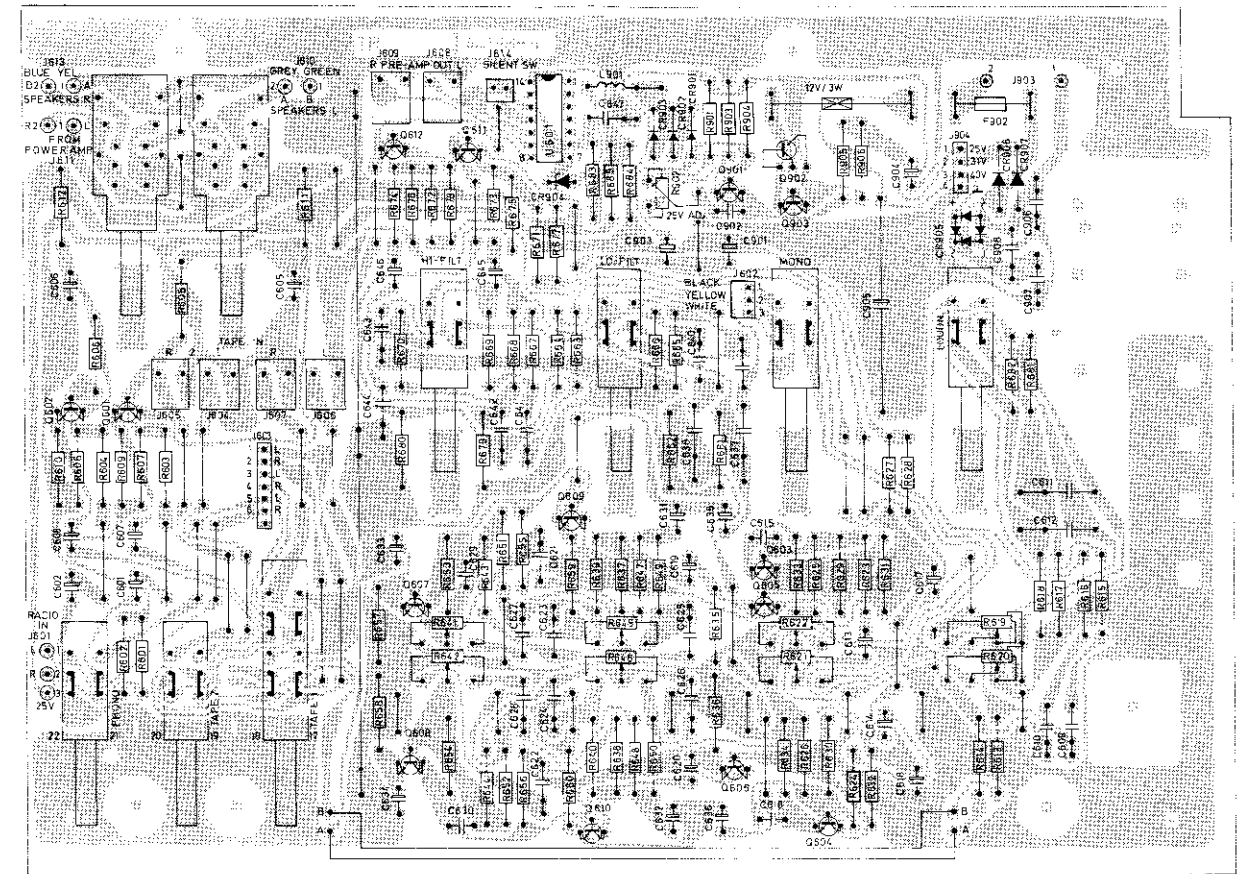


Fig.2 Dial assembly

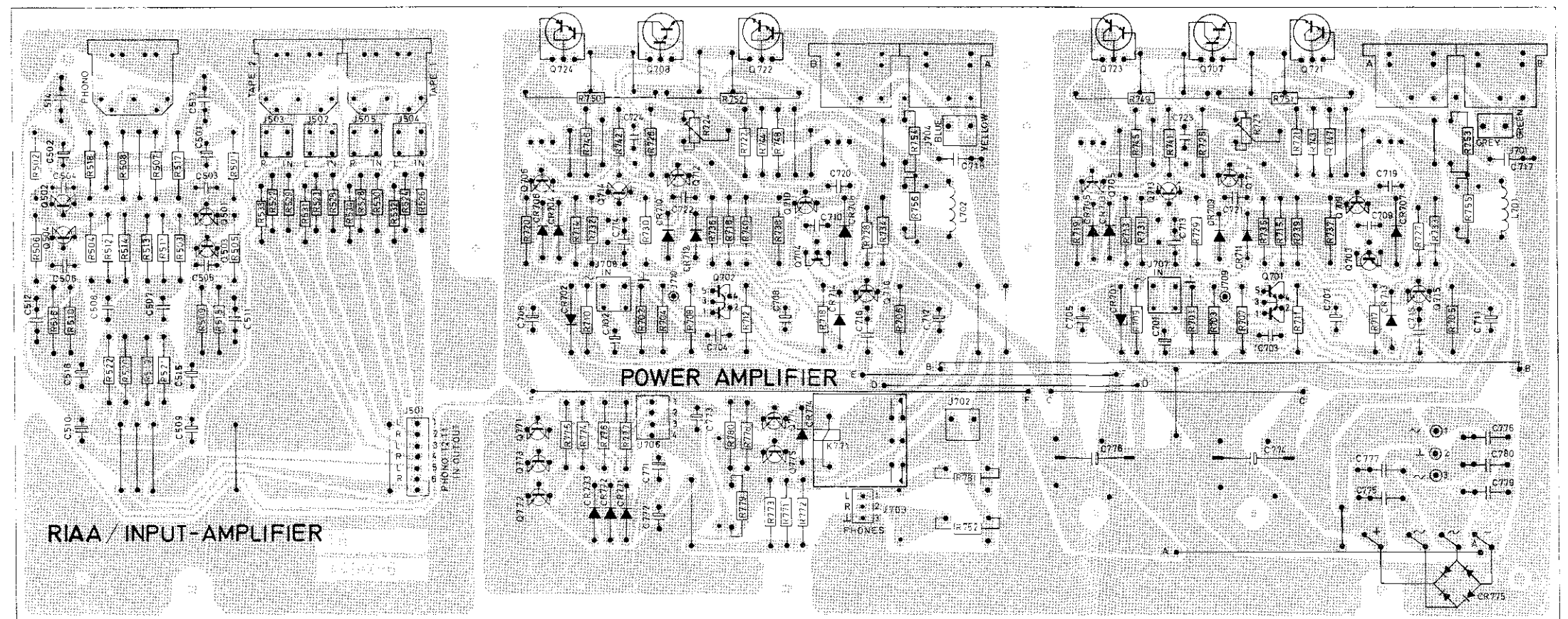
Index	SPECIFY THIS WHEN ORDERING		Description (notes)	Reference
	Ordering No.	Beskrivelse (merknader)		
	*	SKALA -ENHET	DIAL ASSEMBLY	
1	344441	Skinne	Plate, dial	
2	291194	Skrue	Screw, plate, 1/2" No. 6	
3	341115	Plate	Sheet, blue, plastic	
4	341388	List	Moulding, black, plastic	
5	305835	Ramme	Surround, meter, plastic	
6	350496	Instrument	Meter, signal	SIGNAL
7	313163	Instrument	Meter, center	TUNING
8	344793	List	Moulding, black, plastic	
9	362126	Plate	Dial	
10	352665	Diode	Diode, light emitting, red	FM STEREO
11	340411	Brakett	Bracket, light box	
12	346854	Skrue	Screw, 3.5 x 6.3 mm hex hd, with collar	
13	994227	Skinne	Plate, light box, with pulleys	
14	344599	Skinne	(lev. m/index 14-17)	
15	307868	Hylse	Plate, light box	
16	287501	Trinse	Bush	
17	214961	Skrue	Pulley, plastic	
18	343341	Plate	Screw, plate, 5/8" No. 4 hex hd	
19	342444	Drev	Plate, tuning capacitor, plastic	
20	230542	Skive	Flywheel	
21	840629	Hus	Ring, circlip, 2.3 mm	
22	285785	Potensiometer	Housing	R241, TUNING
23	277128	Skrue	Potentiometer, 100 k ohm	
24	994239	Snor	Screw, 2.6 x 5 mm pan hd	
25	*	Hjul	Cord	
26	*	Snor	(supplied with index 25, 26, 29)	
27	994229	Viser	Wheel, cord drive, plastic	
28	348714	Lampe	Cord	
29	204112	Fjær	Cursor, with bulb	
30	994231	Kort	(lev. m/index 28)	
31	339125	Holder	Bulb, 7 V 60 mA	
32	339599	Lampe	Spring	
			Board, light box	
			(supplied with index 31 and 32)	
			Holder, bulb	
			Bulb, 7 V 300 mA	

PREAMPLIFIER

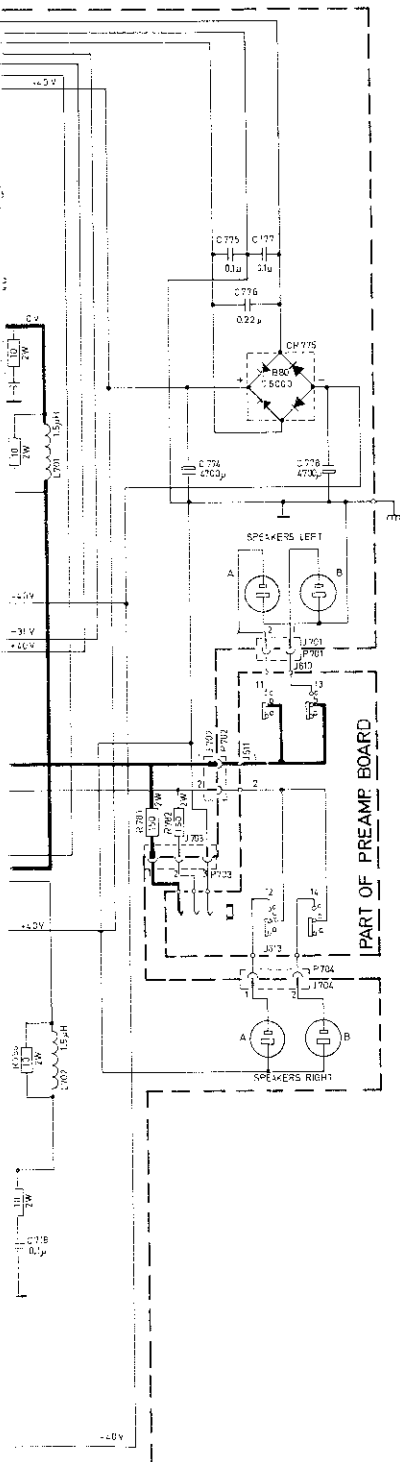


Seen from the solder side.

RIAA/INPUT-AMPLIFIER, POWER AMPLIFIER



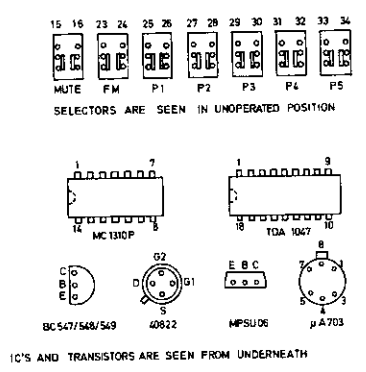
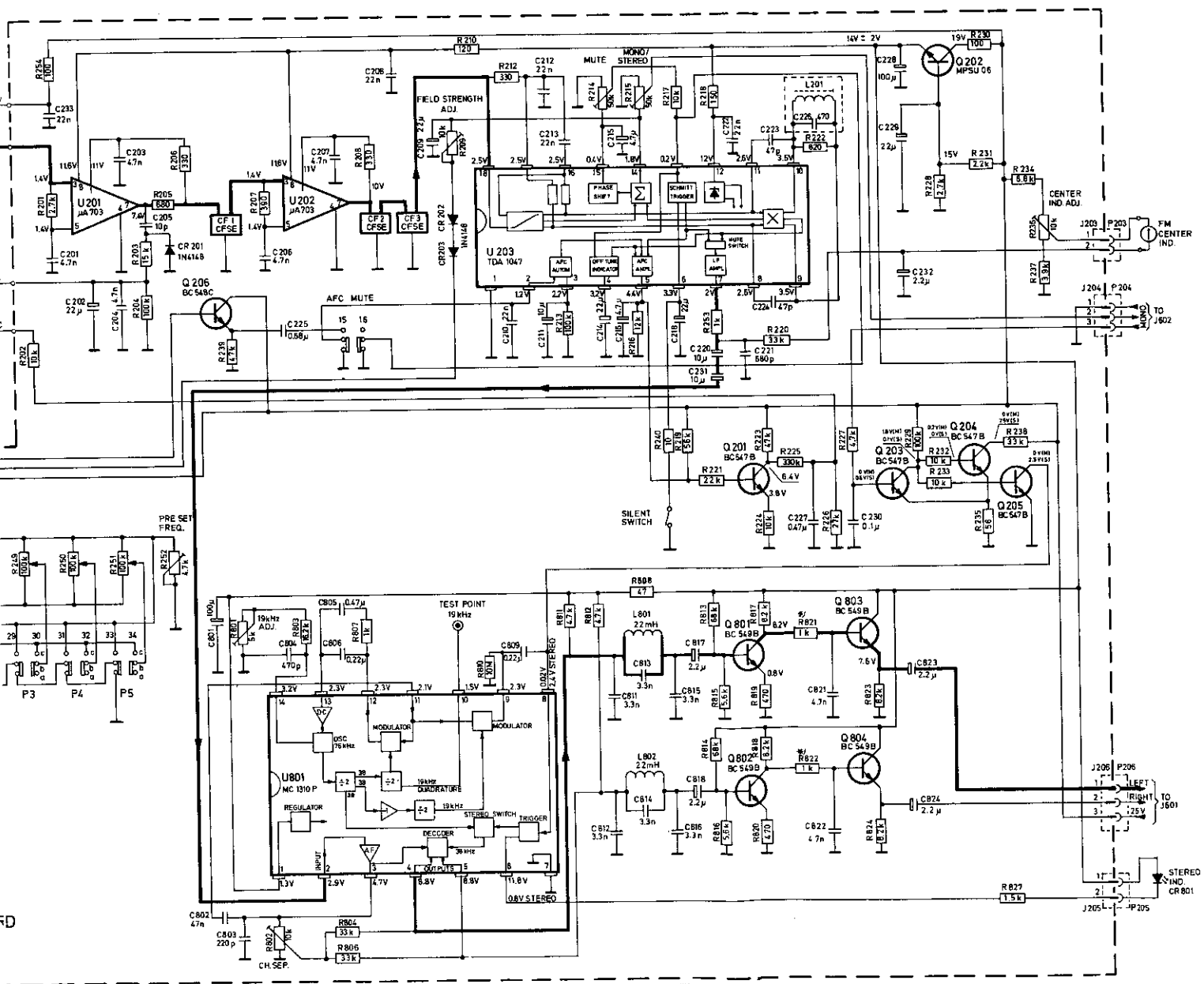
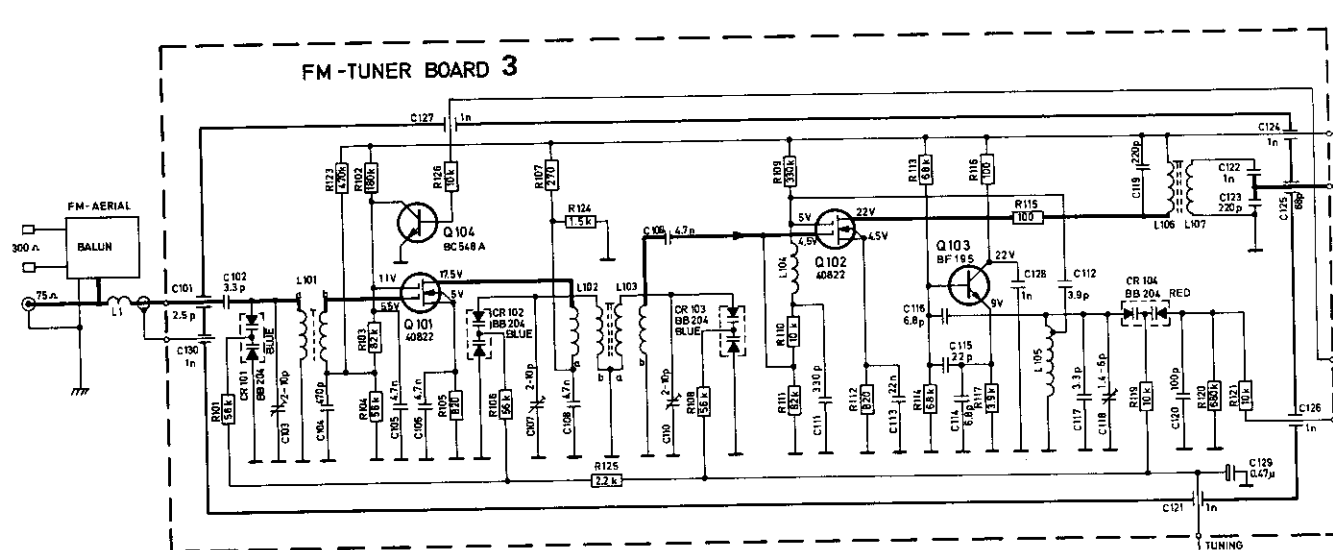
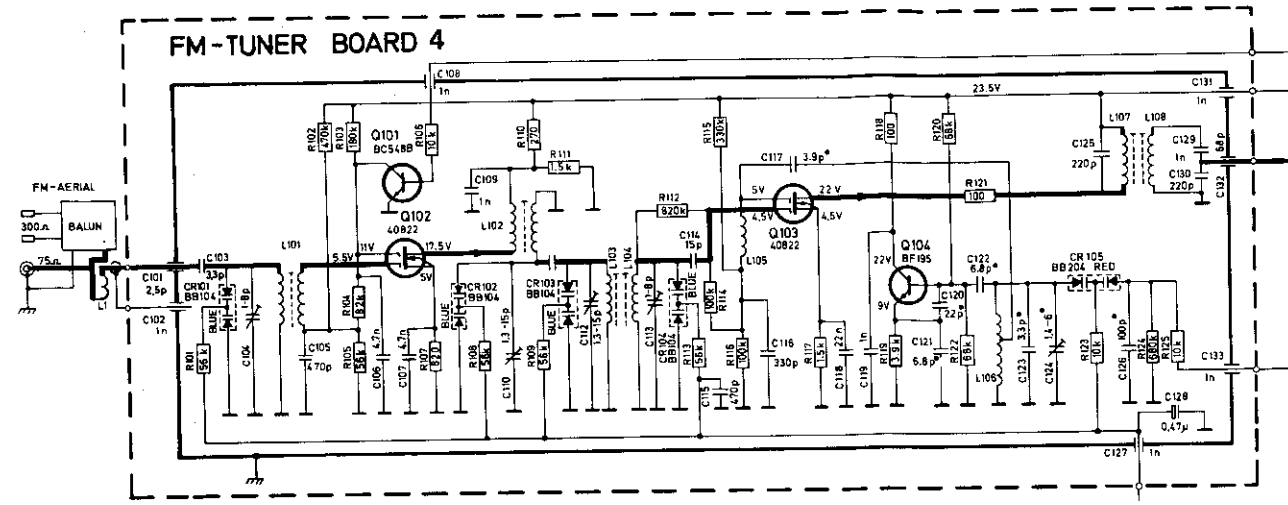
Seen from the solder side.



TANDBERG

TR 2040

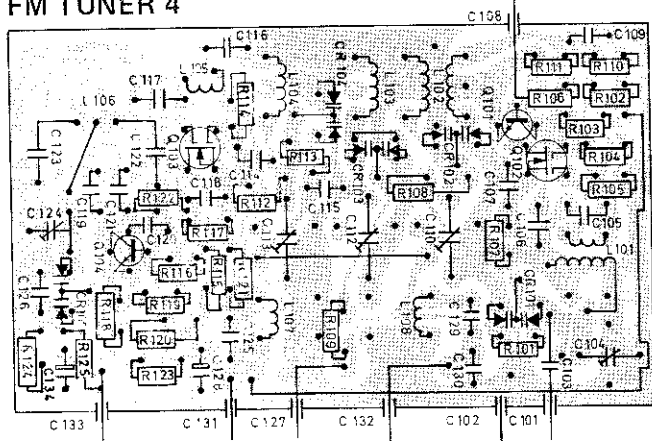
Circuit diagrams



FM-IF AND STEREO DECODER BOARD

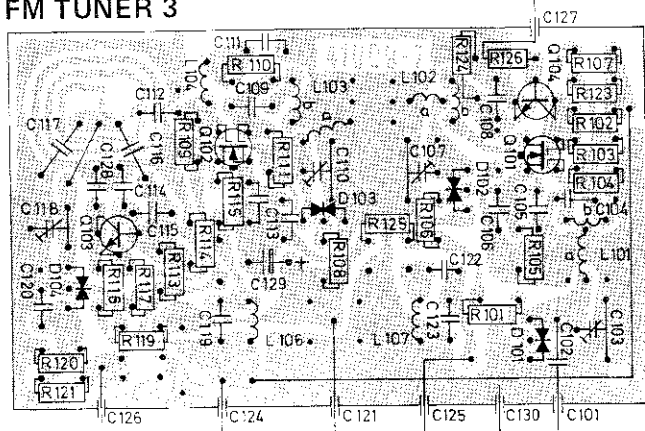
¹/R821 AND R822 ARE 56k IN US MODELS.

FM TUNER 4



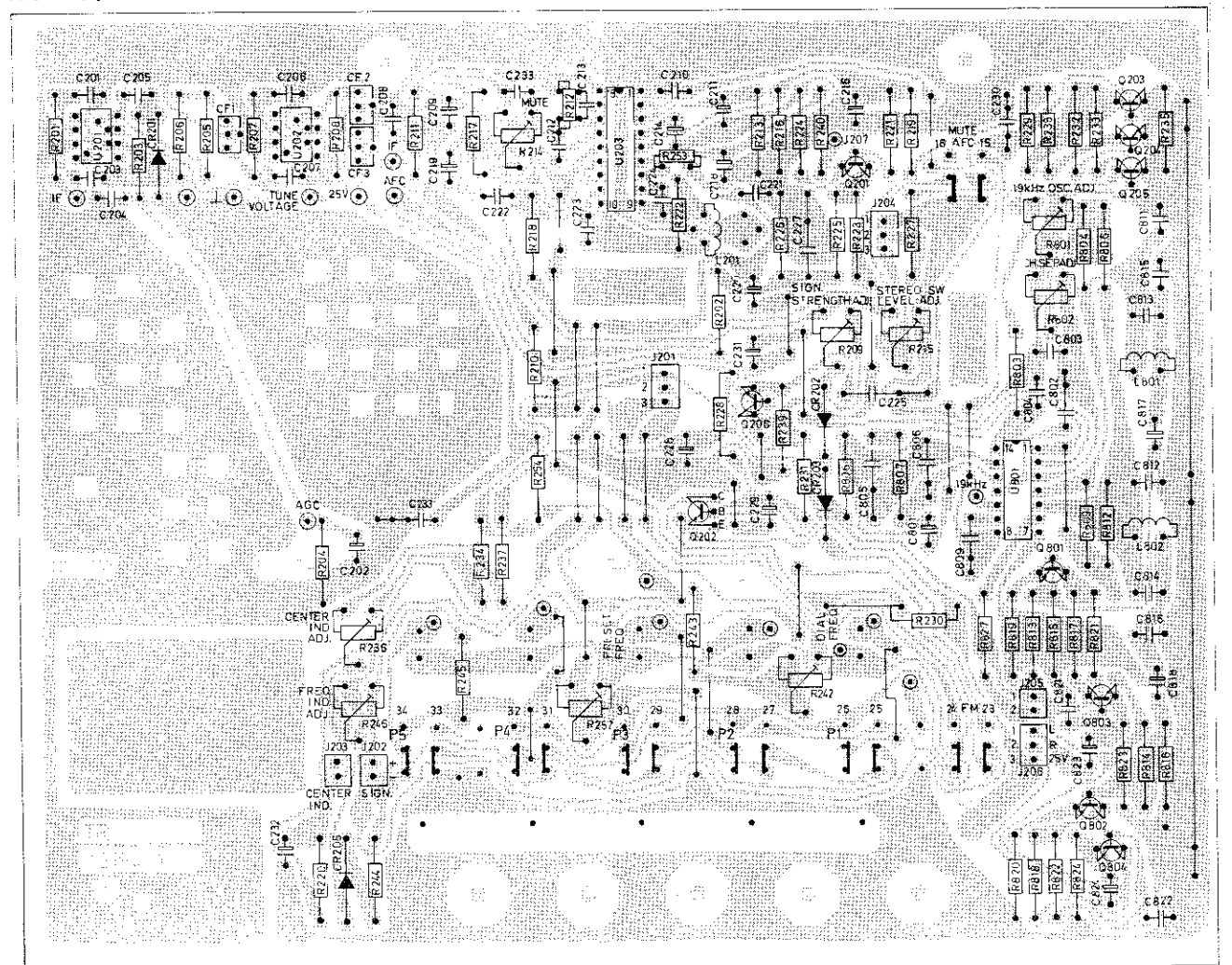
Seen from the solder side.

FM TUNER 3



Seen from the solder side.

MF-IF/ DECODER



Seen from the solder side.