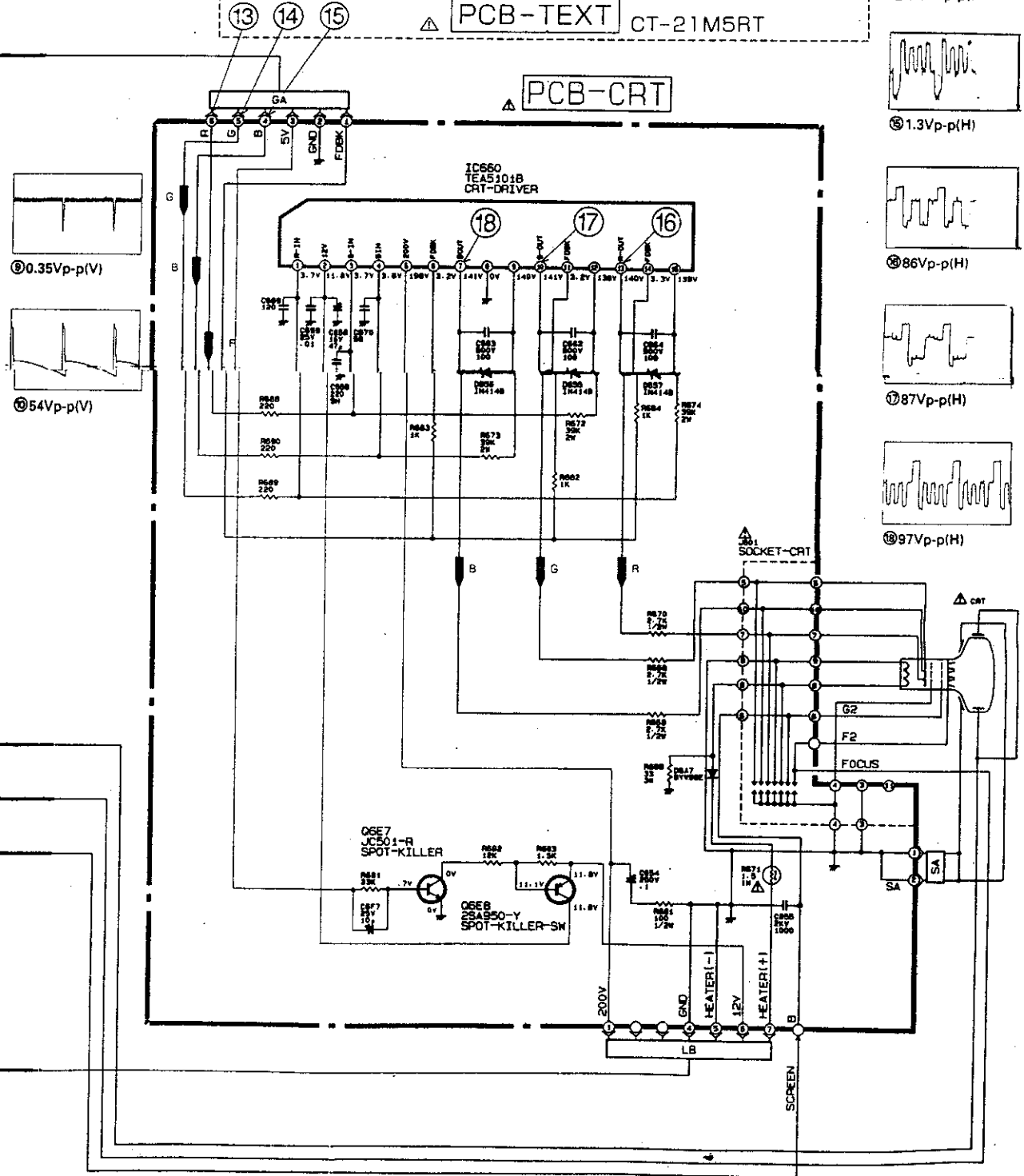


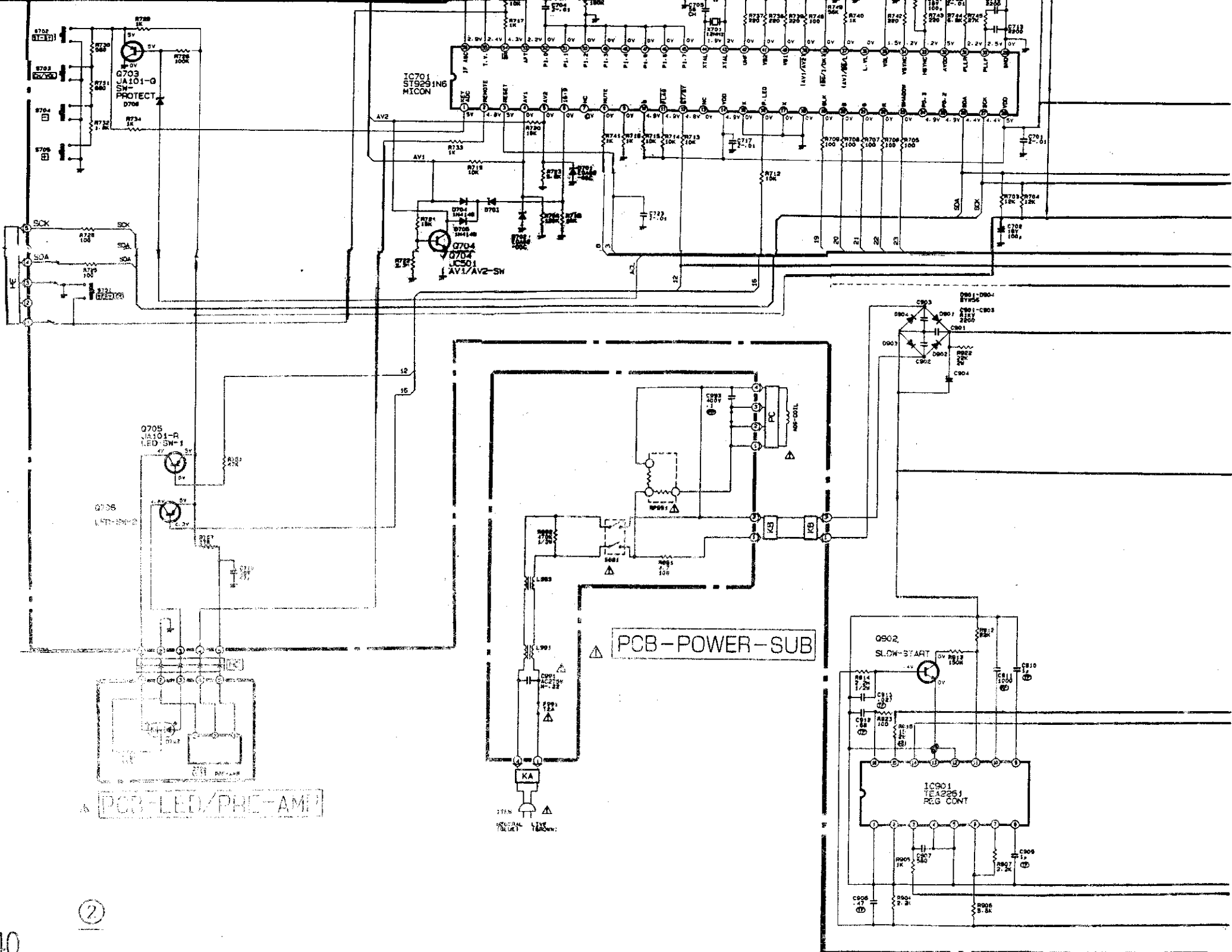
①0.68Vp-p(H)

②146Vp-p(H)

PCB-CRT



*See page ① for IC BLOCK DIAGRAMS.



PCB-LED/PBC-AMP

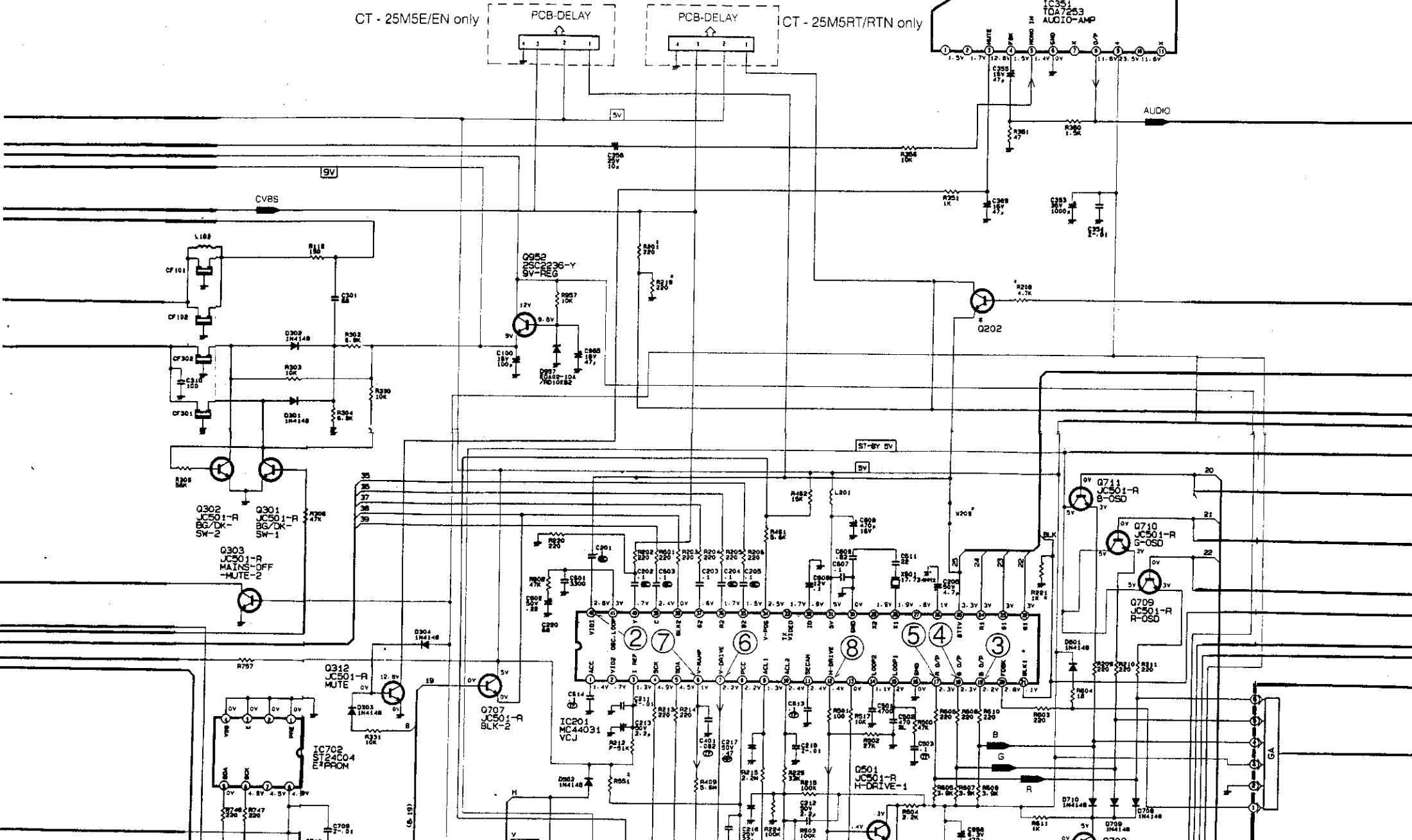
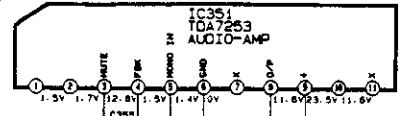
PCB-POWER-SUB

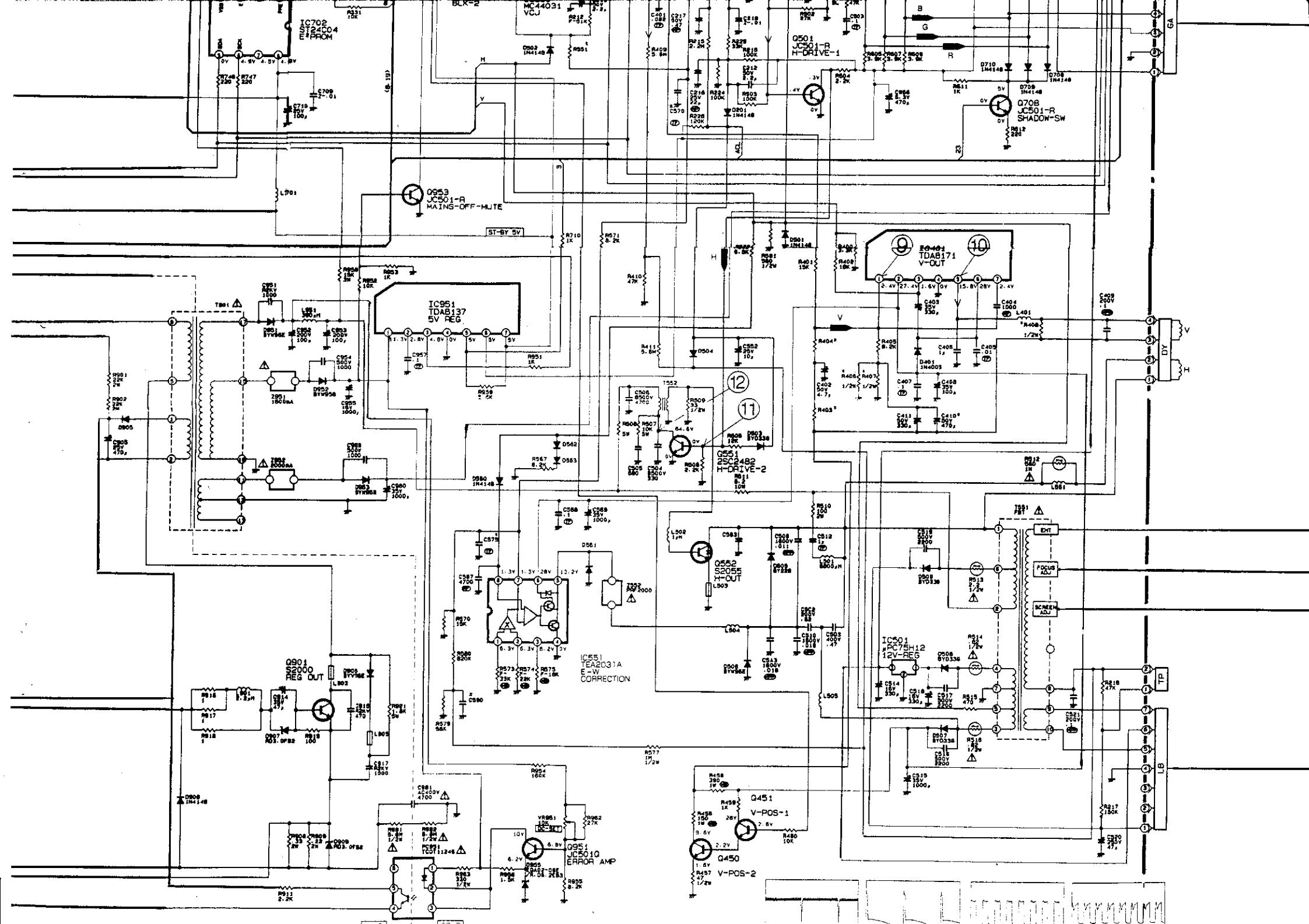
2



① 1.0Vp-p(H) ② 1.5Vp-p(H) ③ 1.6Vp-p(H) ④ 1.7Vp-p(H) ⑤ 1.9Vp-p(V) ⑥ 2.0Vp-p(V) ⑦ 0.62Vp-p(H)

CT - 25M5E/EN only PCB-DELAY PCB-DELAY CT - 25M5RT/RTN only



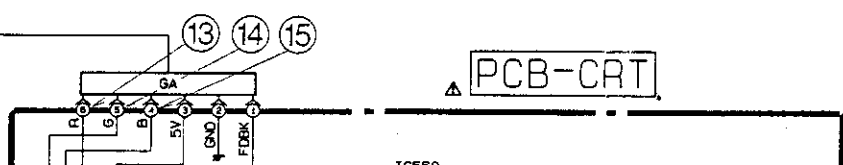
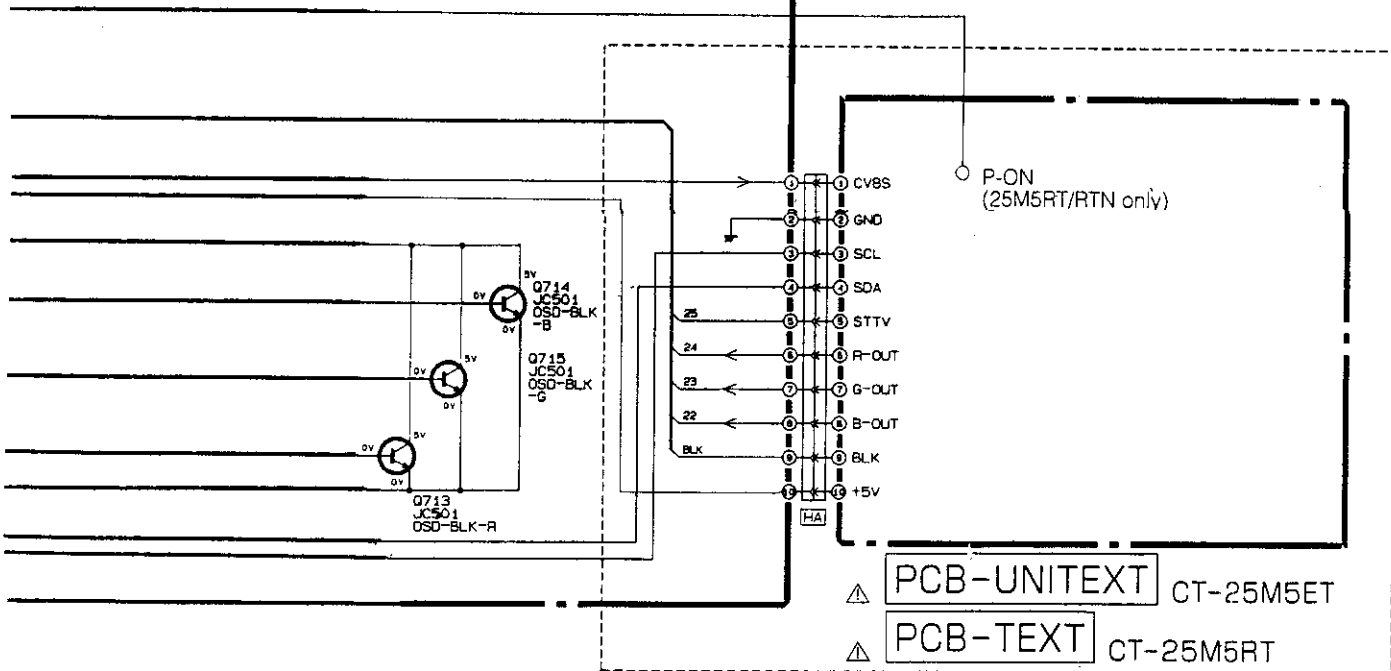
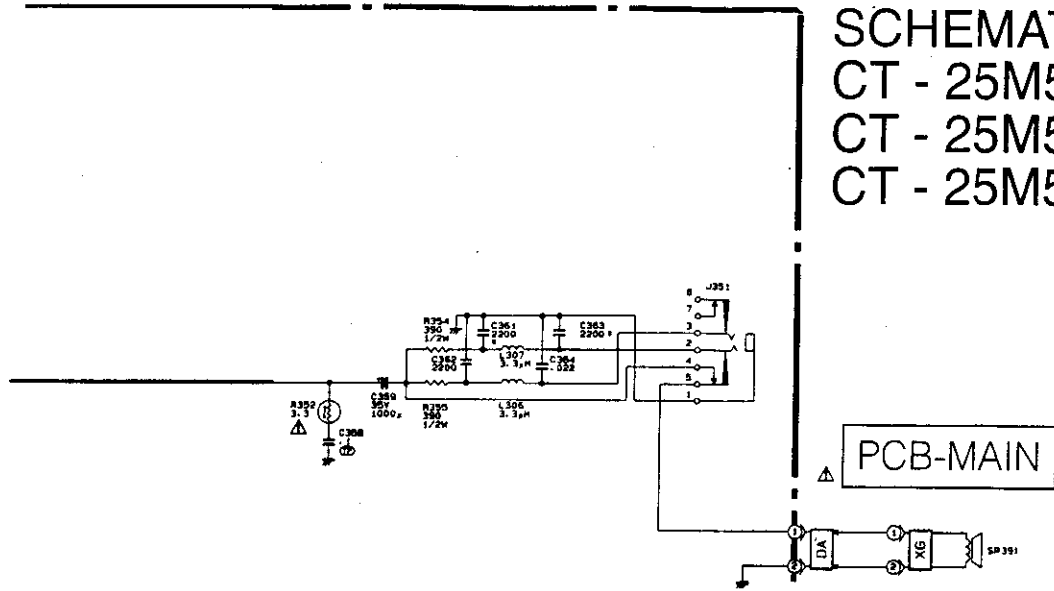


SCHEMATIC DIAGRAMS:

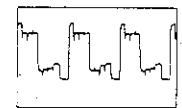
CT - 25M5E/EN
 CT - 25M5ET/ETN
 CT - 25M5RT/RTN

* DIFFERENCE TABLE

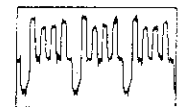
| | 25M5E | 25M5EN | 25M5ET | 25M5ETN | 25M5RT | 25M5RTN |
|------|-------|--------|--------|---------|--------|---------|
| C410 | ● | — | ● | — | ● | — |
| C570 | 0.47μ | 0.18μ | 0.47μ | 0.18μ | 0.47μ | 0.18μ |
| C575 | 0.12μ | 0.18μ | 0.12μ | 0.18μ | 0.12μ | 0.18μ |
| C590 | 4700p | 0.12μ | 4700p | 0.12μ | 4700p | 0.12μ |
| Q202 | — | — | — | — | ● | ● |
| R201 | — | — | ● | ● | — | — |
| R208 | — | — | — | — | ● | ● |
| R219 | — | — | ● | ● | — | — |
| R221 | ● | ● | — | — | — | — |
| R403 | 6.8K | 18K | 6.8K | 18K | 6.8K | 18K |
| R404 | 33K | 39K | 33K | 39K | 33K | 39K |
| R406 | 1.5 | 0.82 | 1.5 | 0.82 | 1.5 | 0.82 |
| R407 | 1.5 | 1.0 | 1.5 | 1.0 | 1.5 | 1.0 |
| R408 | 2.2K | 220 | 2.2K | 220 | 2.2K | 220 |
| R551 | 12K | 8.2K | 12K | 8.2K | 12K | 8.2K |
| R671 | 0.82 | 1.5 | 0.82 | 1.5 | 0.82 | 1.5 |
| W209 | — | — | ● | ● | — | — |



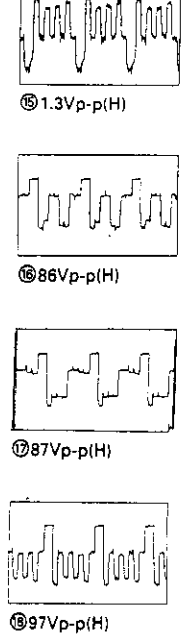
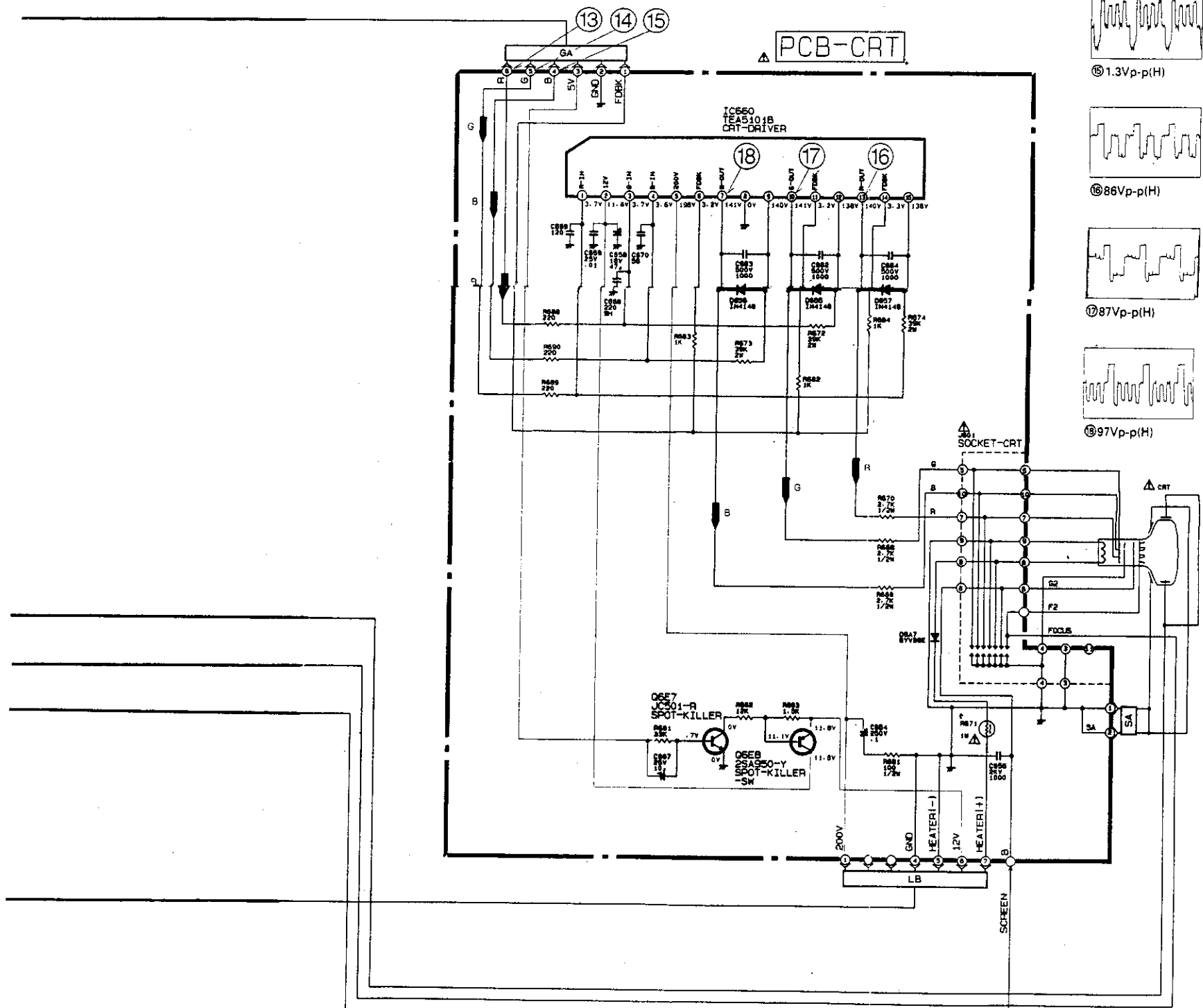
③ 0.86Vp-p(H)



④ 0.92Vp-p(H)



⑤ 1.3Vp-p(H)



- CT - 21M5E
- CT - 21M5ET
- CT - 21M5RT
- CT - 25M5E
- CT - 25M5EN
- CT - 25M5ET
- CT - 25 M5ETN
- CT - 25M5RT
- CT - 25M5RTN

*See page ① for IC BLOCK DIAGRAMS.