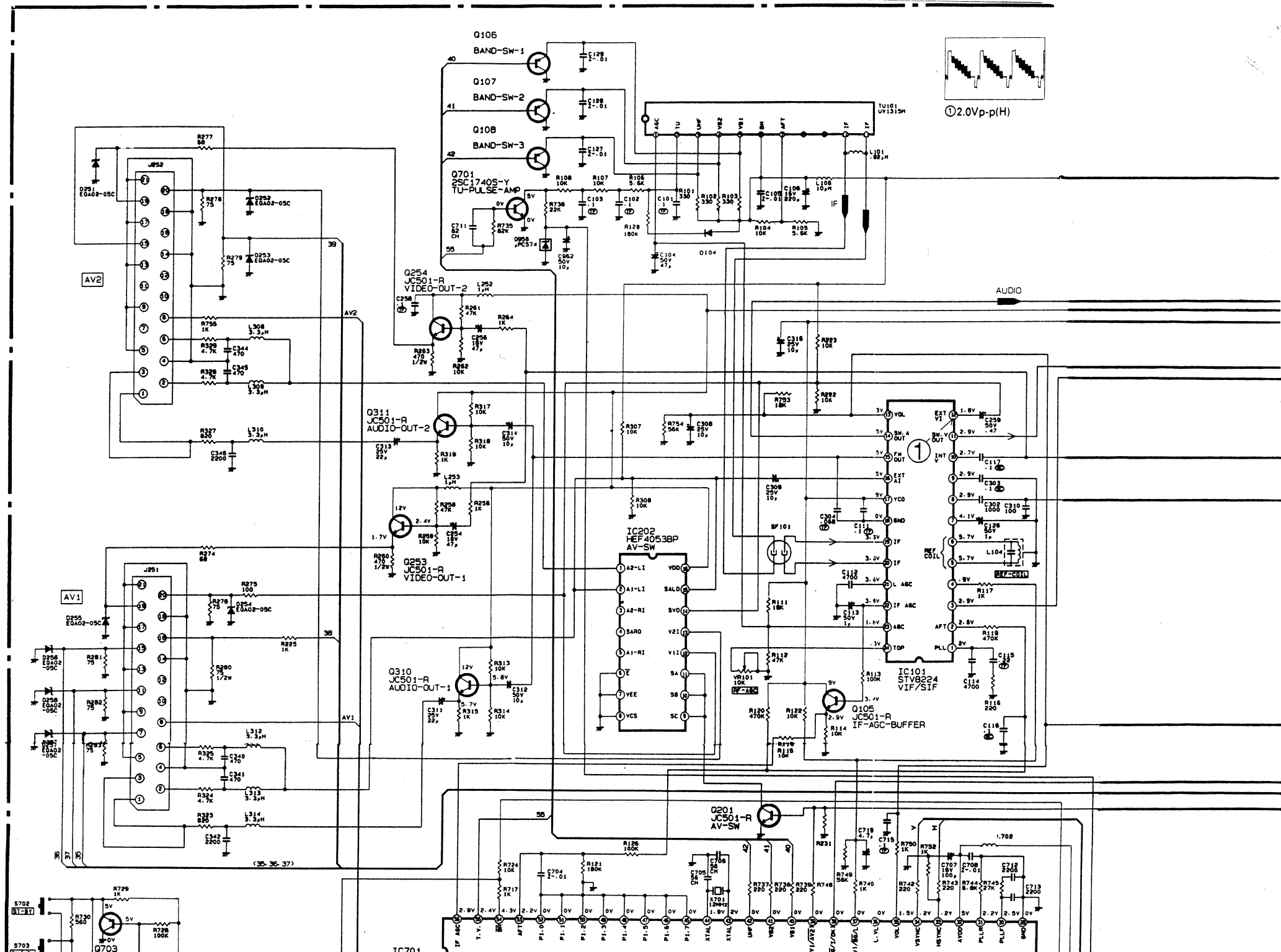
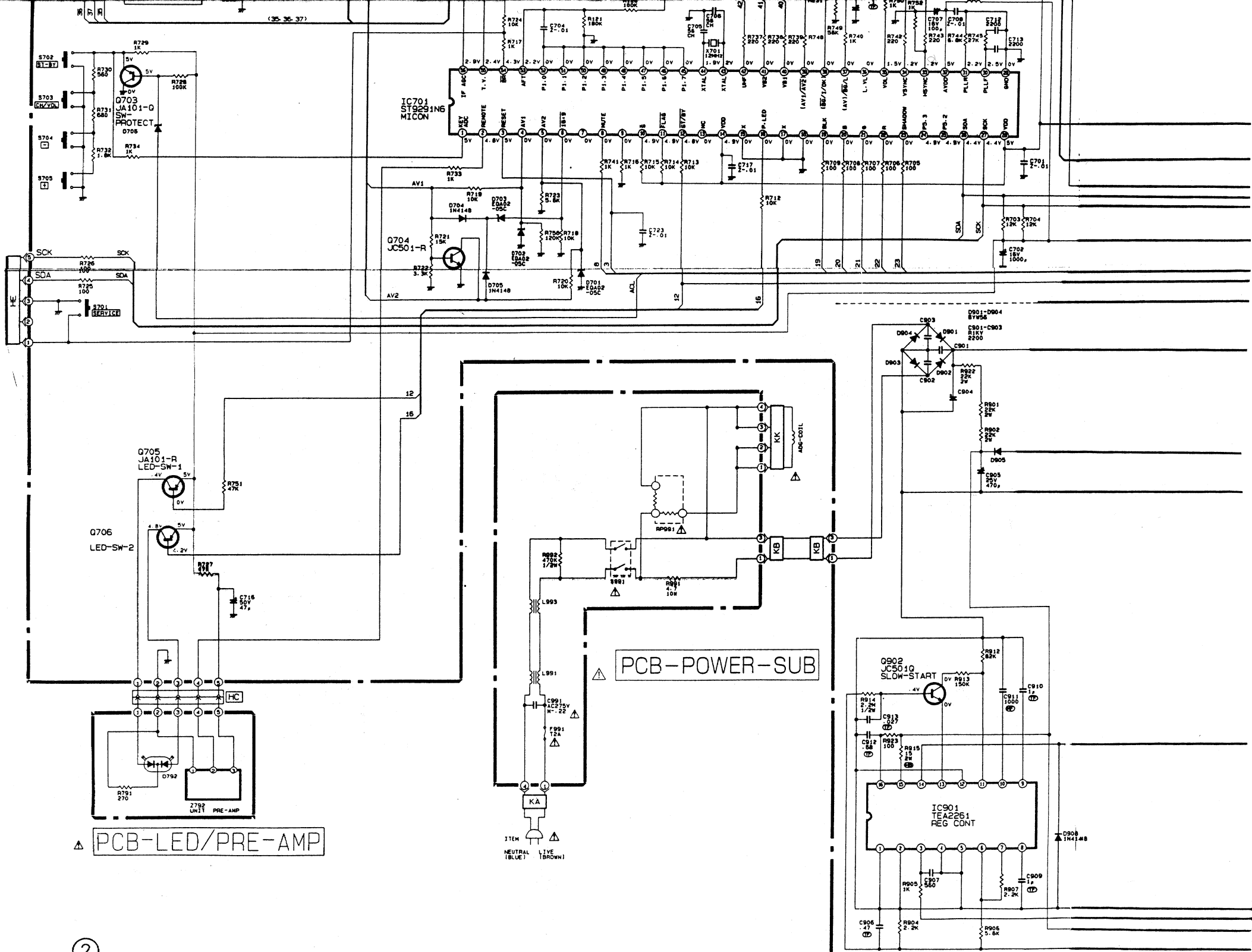


① 2.0Vp-p(H)



(35-36-37)

IC701



IC701
ST9291N6
MICON

Q704
JC501-R

Q705
JA101-R
LED-SW-1

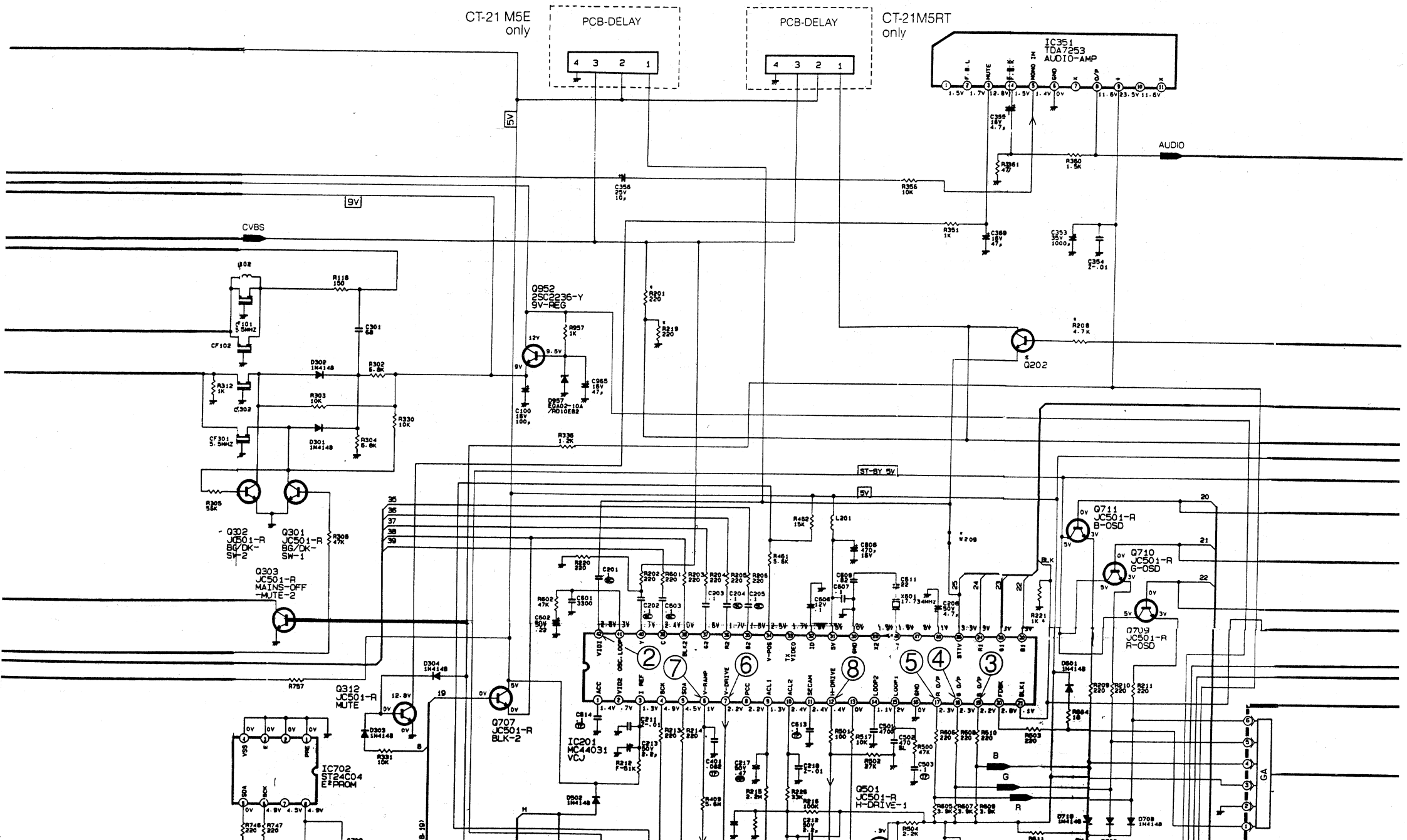
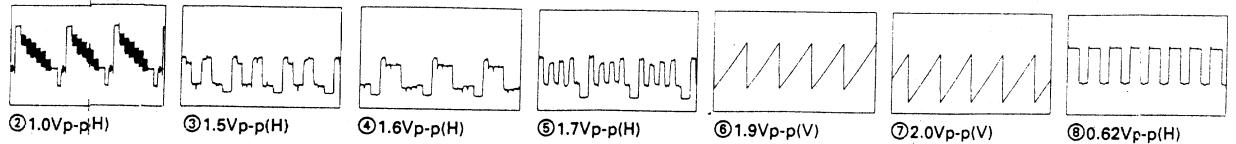
Q706
LED-SW-2

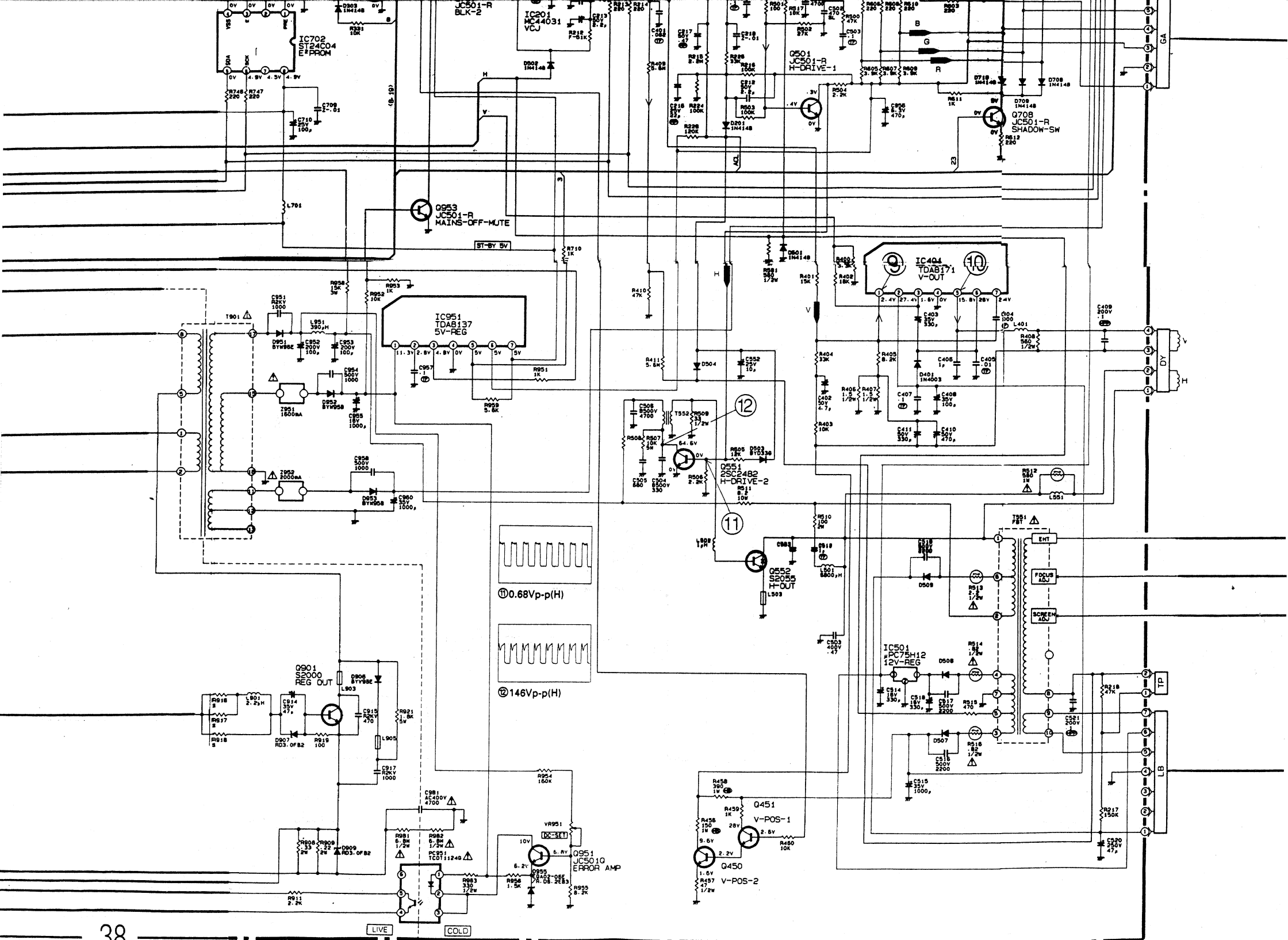
PCB-POWER-SUB

PCB-LED/PRE-AMP

Q902
JC5010
SLOW-START

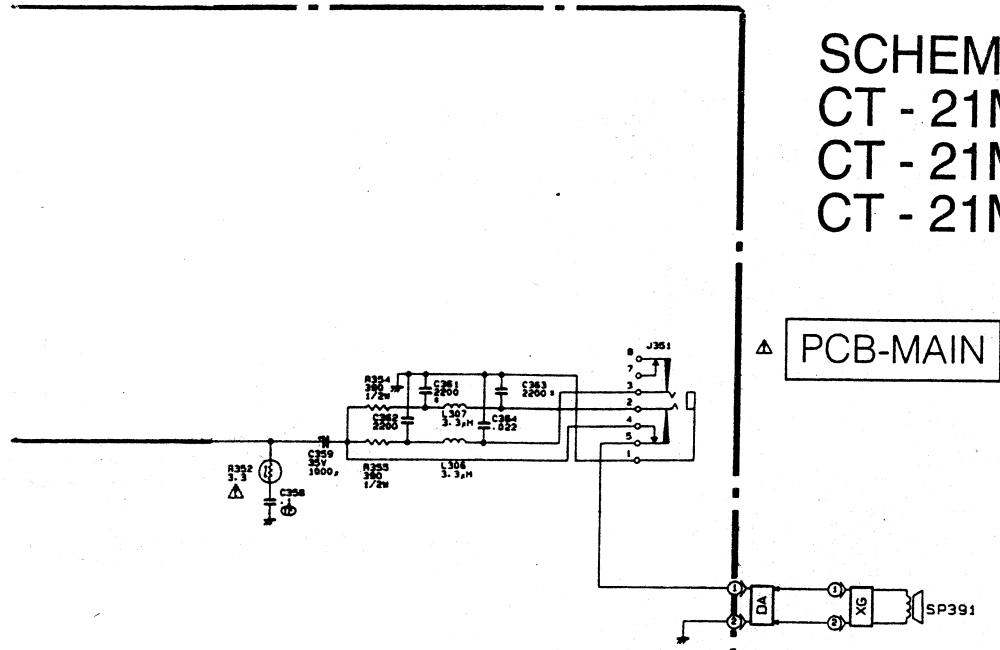
IC901
TEA2261
REG CONT





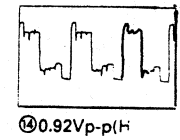
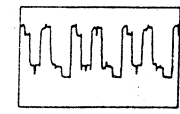
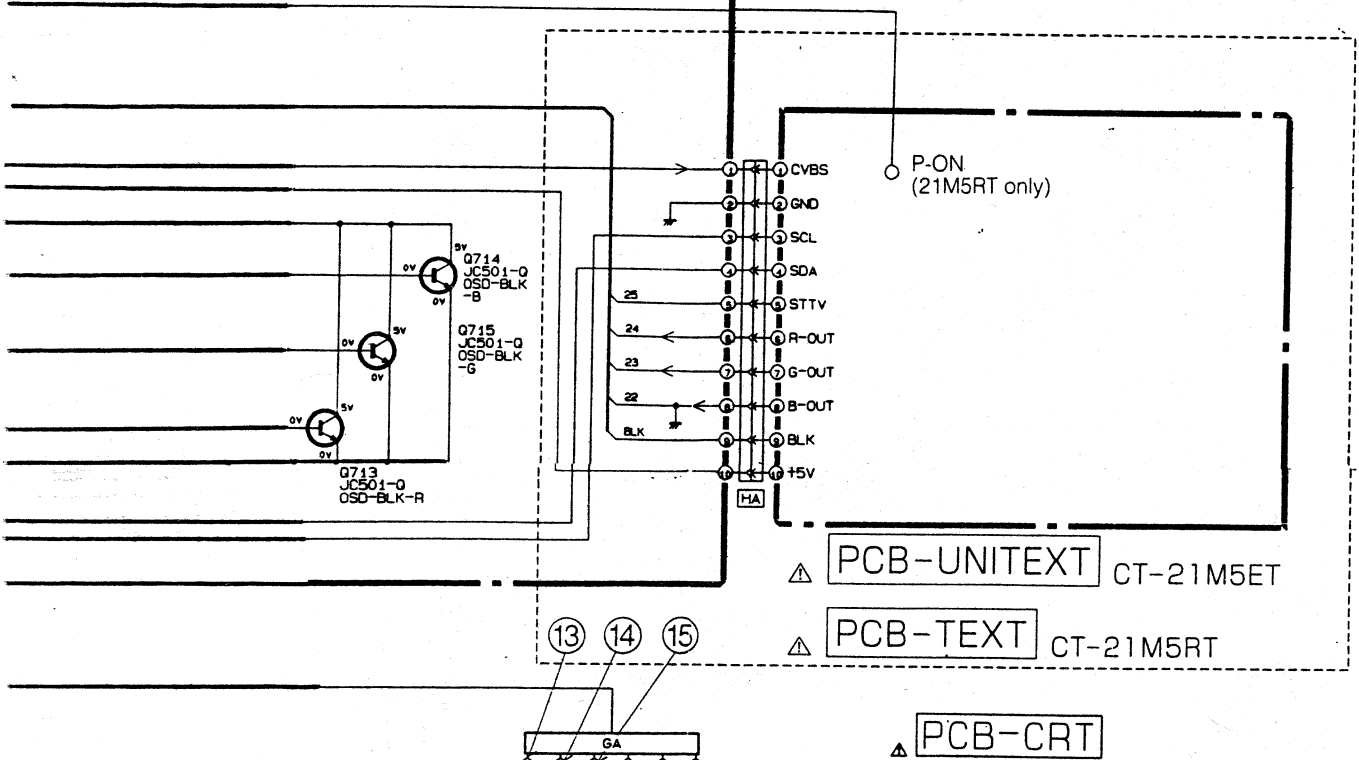
SCHEMATIC DIAGRAMS:

CT - 21M5E
 CT - 21M5ET
 CT - 21M5RT

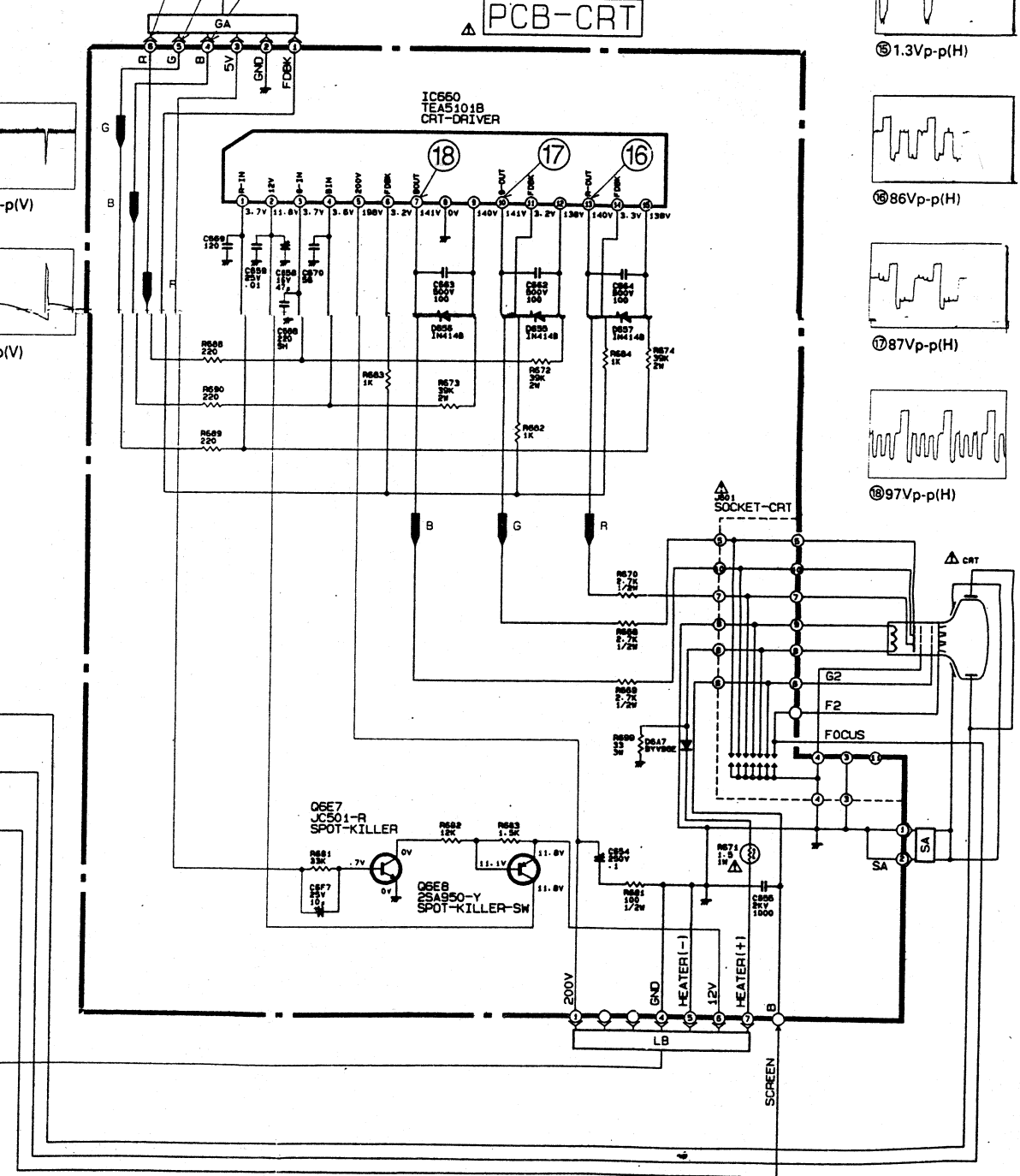
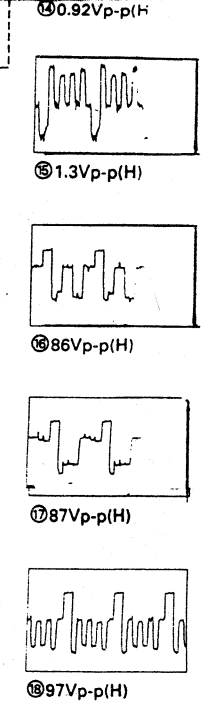
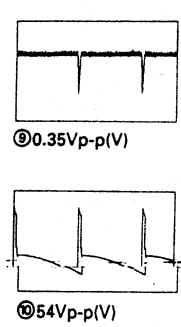


* DIFFERENCE TABLE

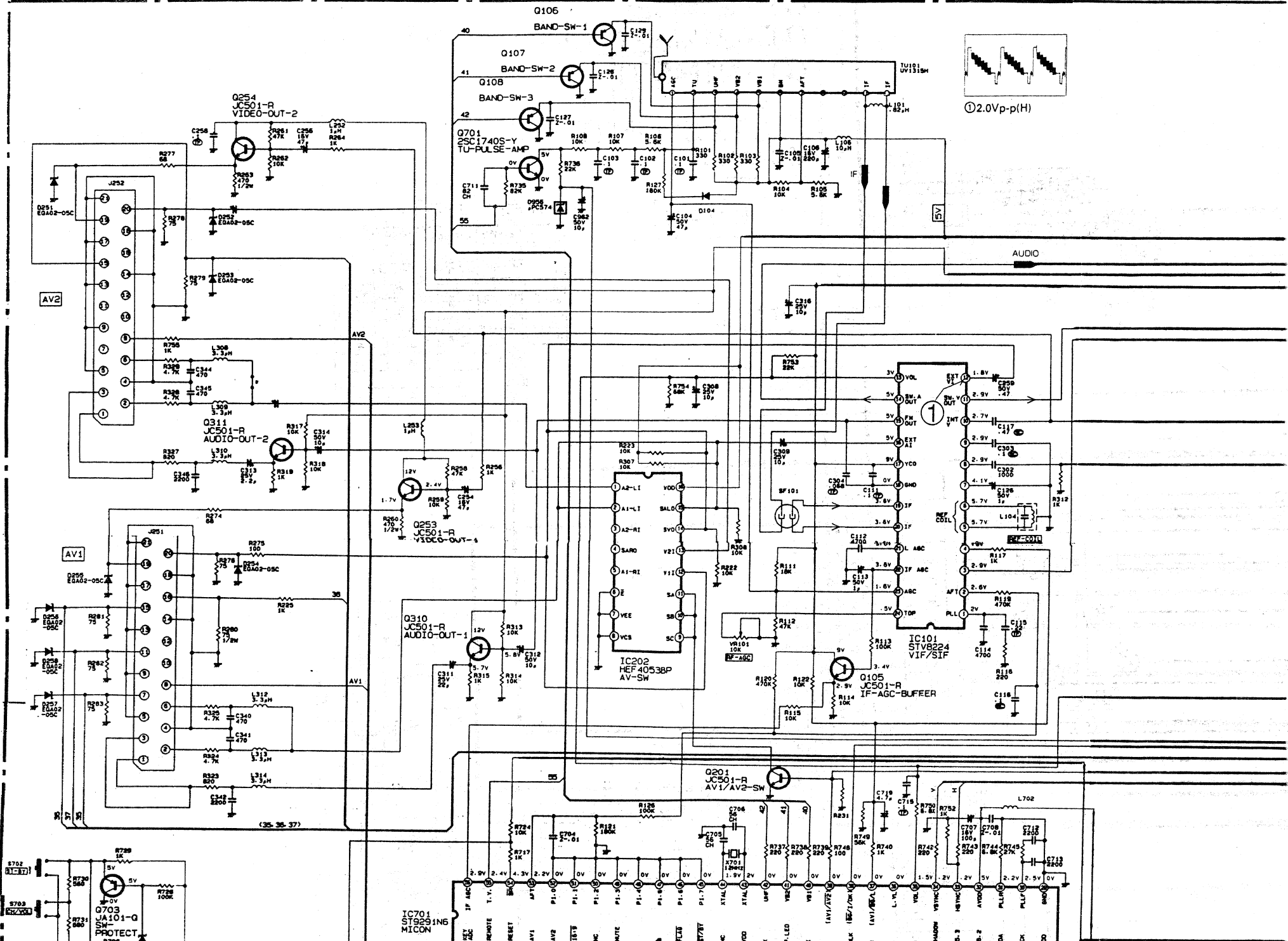
	21M5E	21M5ET	21M5RT
Q202	—	—	●
R201	—	●	—
R208	—	—	●
R210	—	●	—
R221	●	—	—
W209	—	●	—

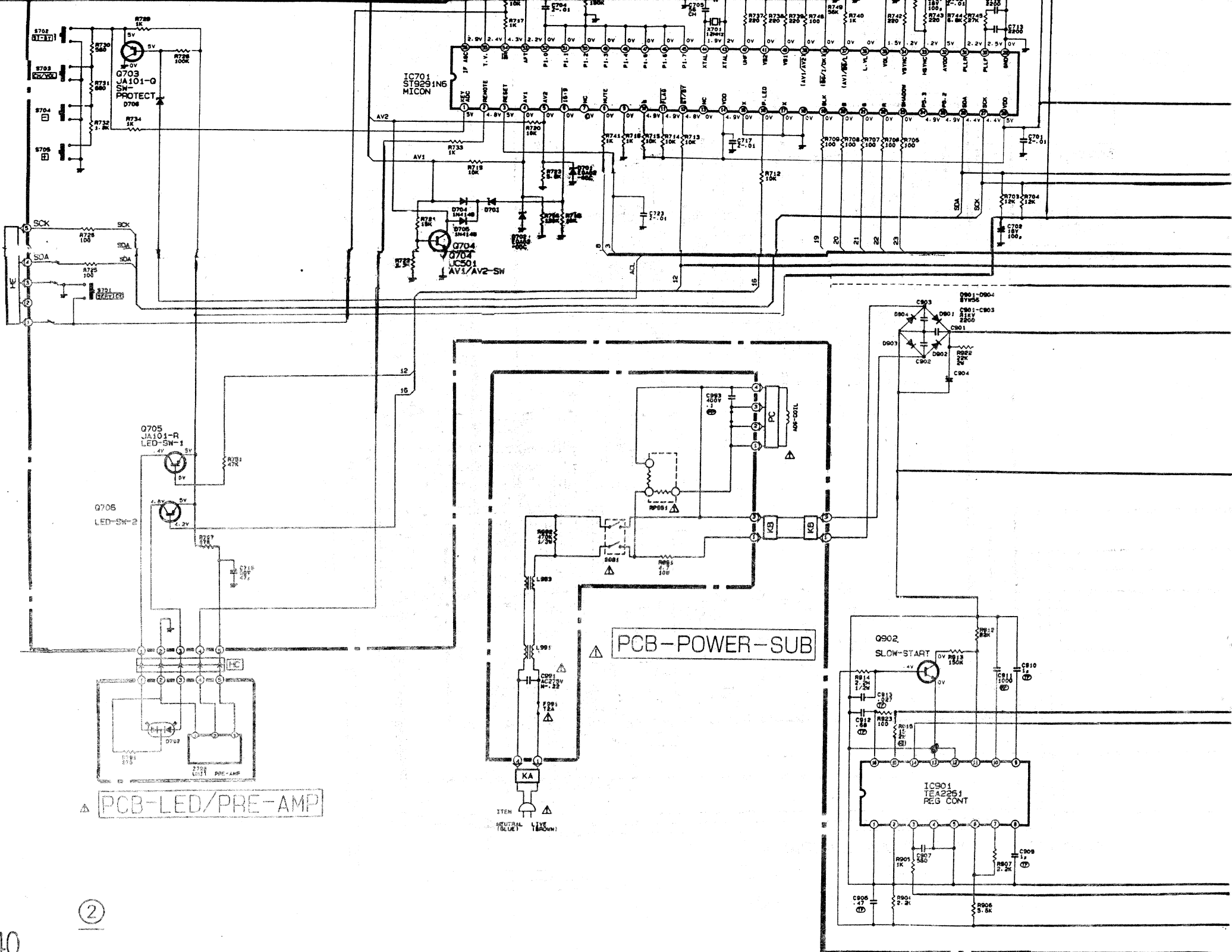


PCB-CRT

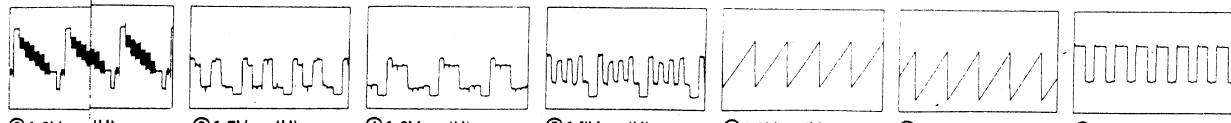


*See page ① for IC BLOCK DIAGRAMS.



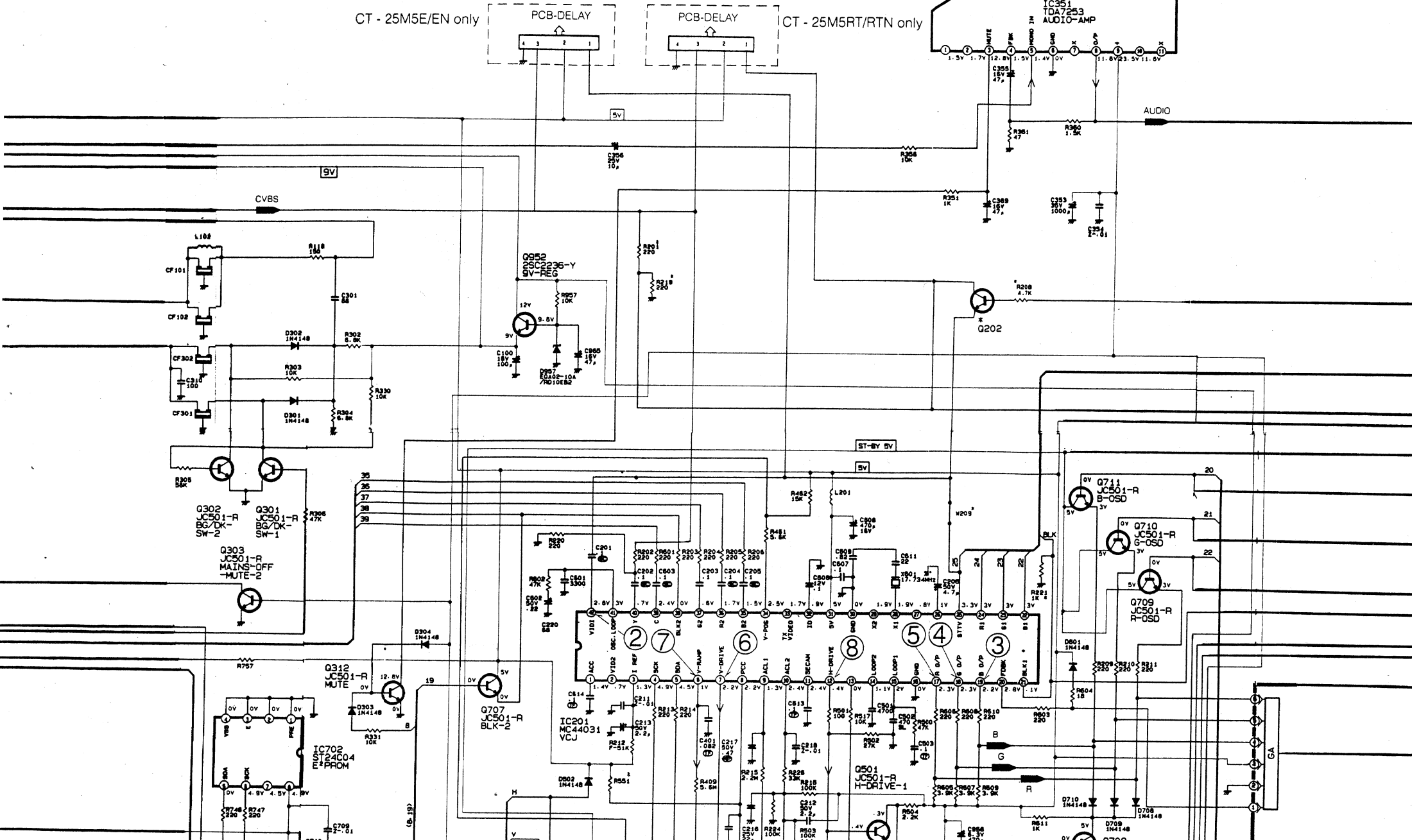
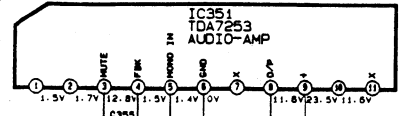


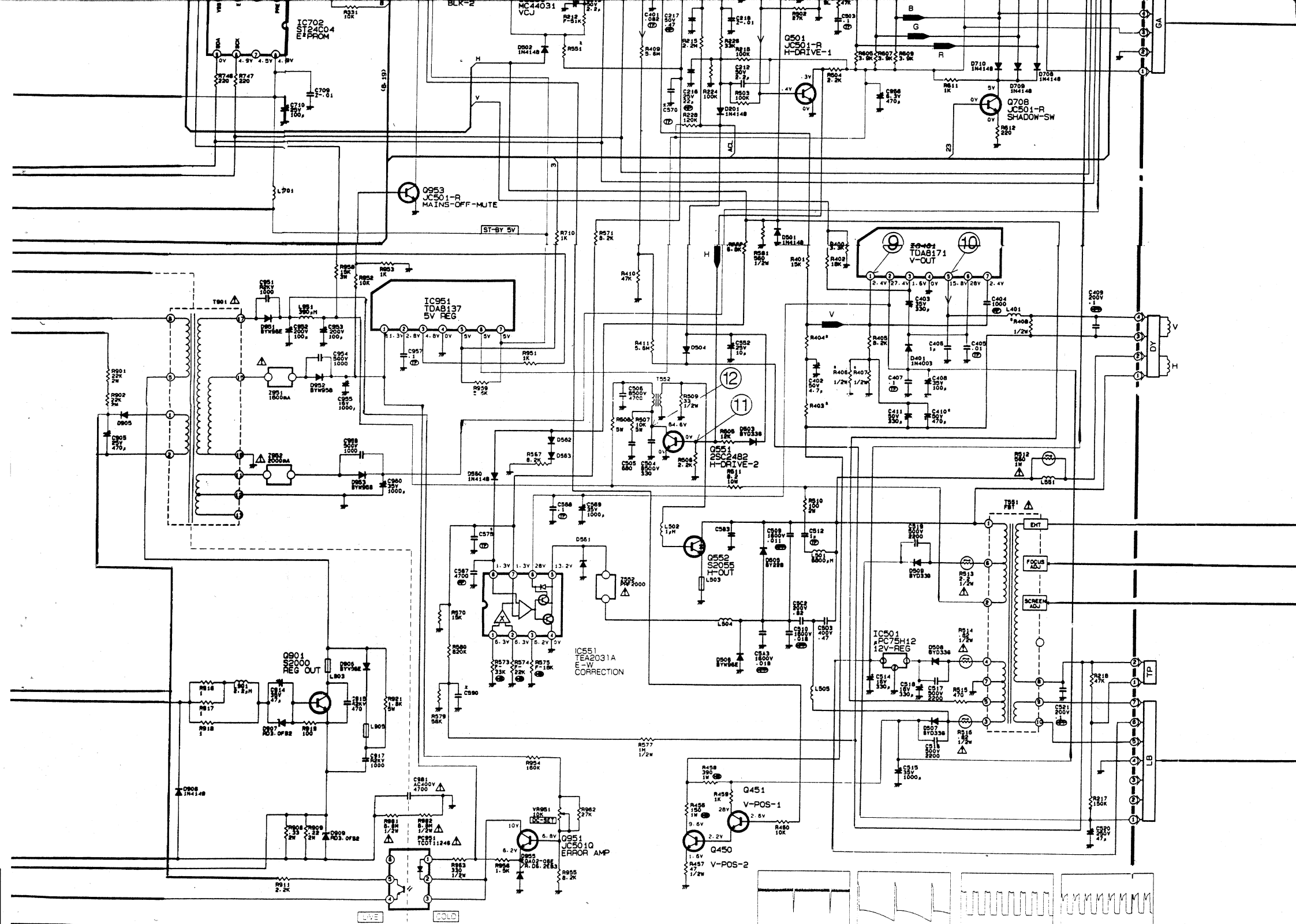
②



① 1.0Vp-p(H) ② 1.5Vp-p(H) ③ 1.6Vp-p(H) ④ 1.7Vp-p(H) ⑤ 1.9Vp-p(V) ⑥ 2.0Vp-p(V) ⑦ 0.62Vp-p(H)

CT - 25M5E/EN only PCB-DELAY PCB-DELAY CT - 25M5RT/RTN only





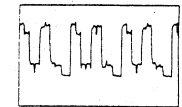
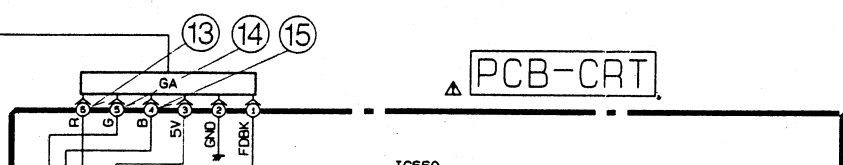
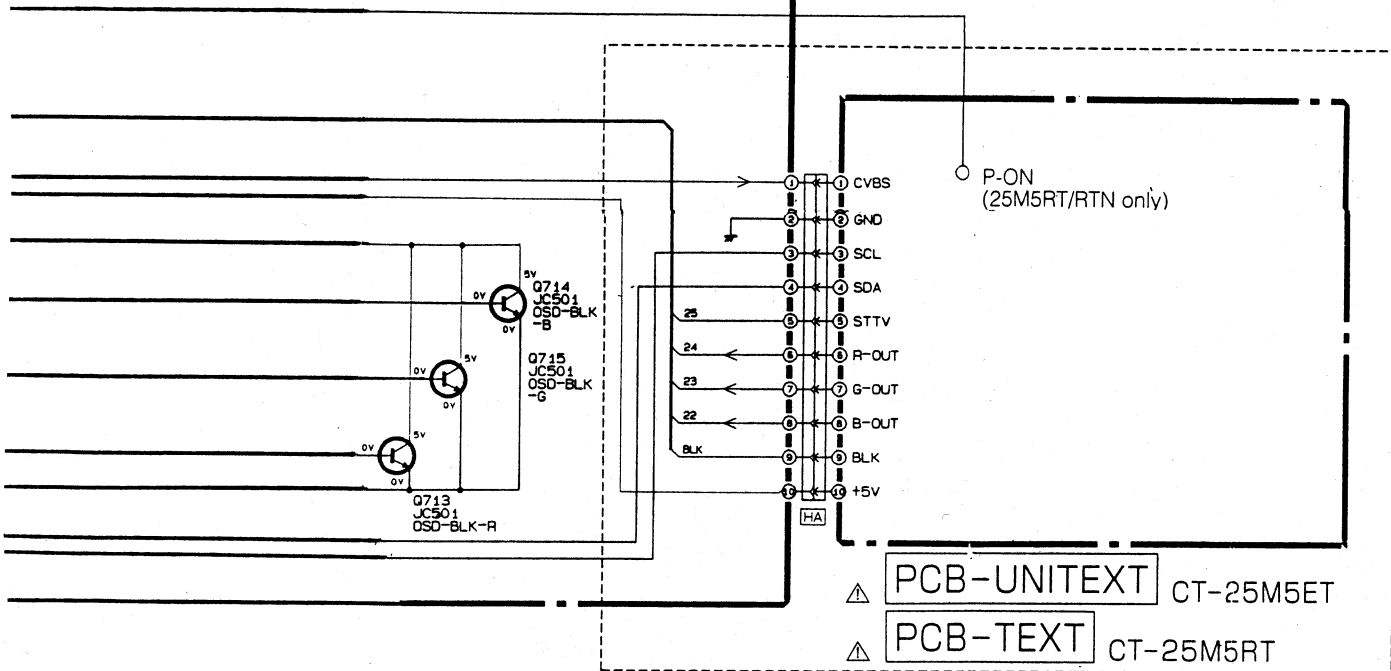
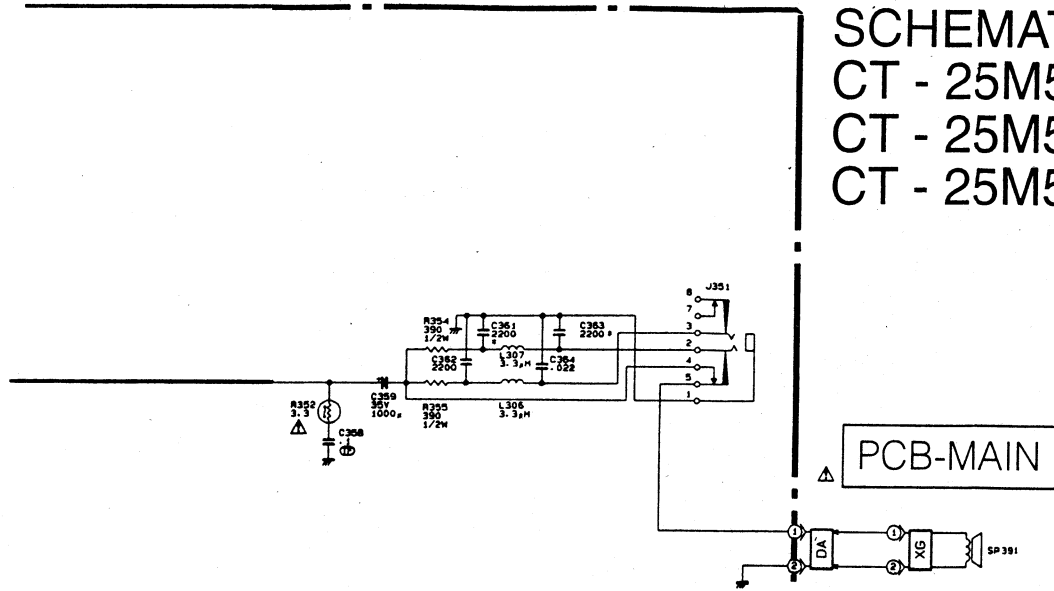
(9) 0.35Vp-p(V) (10) 54Vp-p(V) (11) 0.68Vp-p(H) (12) 146Vp-p(H)

SCHEMATIC DIAGRAMS:

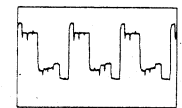
CT - 25M5E/EN
 CT - 25M5ET/ETN
 CT - 25M5RT/RTN

* DIFFERENCE TABLE

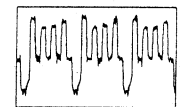
	25M5E	25M5EN	25M5ET	25M5ETN	25M5RT	25M5RTN
C410	●	—	●	—	●	—
C570	0.47μ	0.18μ	0.47μ	0.18μ	0.47μ	0.18μ
C575	0.12μ	0.18μ	0.12μ	0.18μ	0.12μ	0.18μ
C590	4700p	0.12μ	4700p	0.12μ	4700p	0.12μ
Q202	—	—	—	—	●	●
R201	—	—	●	●	—	—
R208	—	—	—	—	●	●
R219	—	—	●	●	—	—
R221	●	●	—	—	—	—
R403	6.8K	18K	6.8K	18K	6.8K	18K
R404	33K	39K	33K	39K	33K	39K
R406	1.5	0.82	1.5	0.82	1.5	0.82
R407	1.5	1.0	1.5	1.0	1.5	1.0
R408	2.2K	220	2.2K	220	2.2K	220
R551	12K	8.2K	12K	8.2K	12K	8.2K
R671	0.82	1.5	0.82	1.5	0.82	1.5
W209	—	—	●	●	—	—



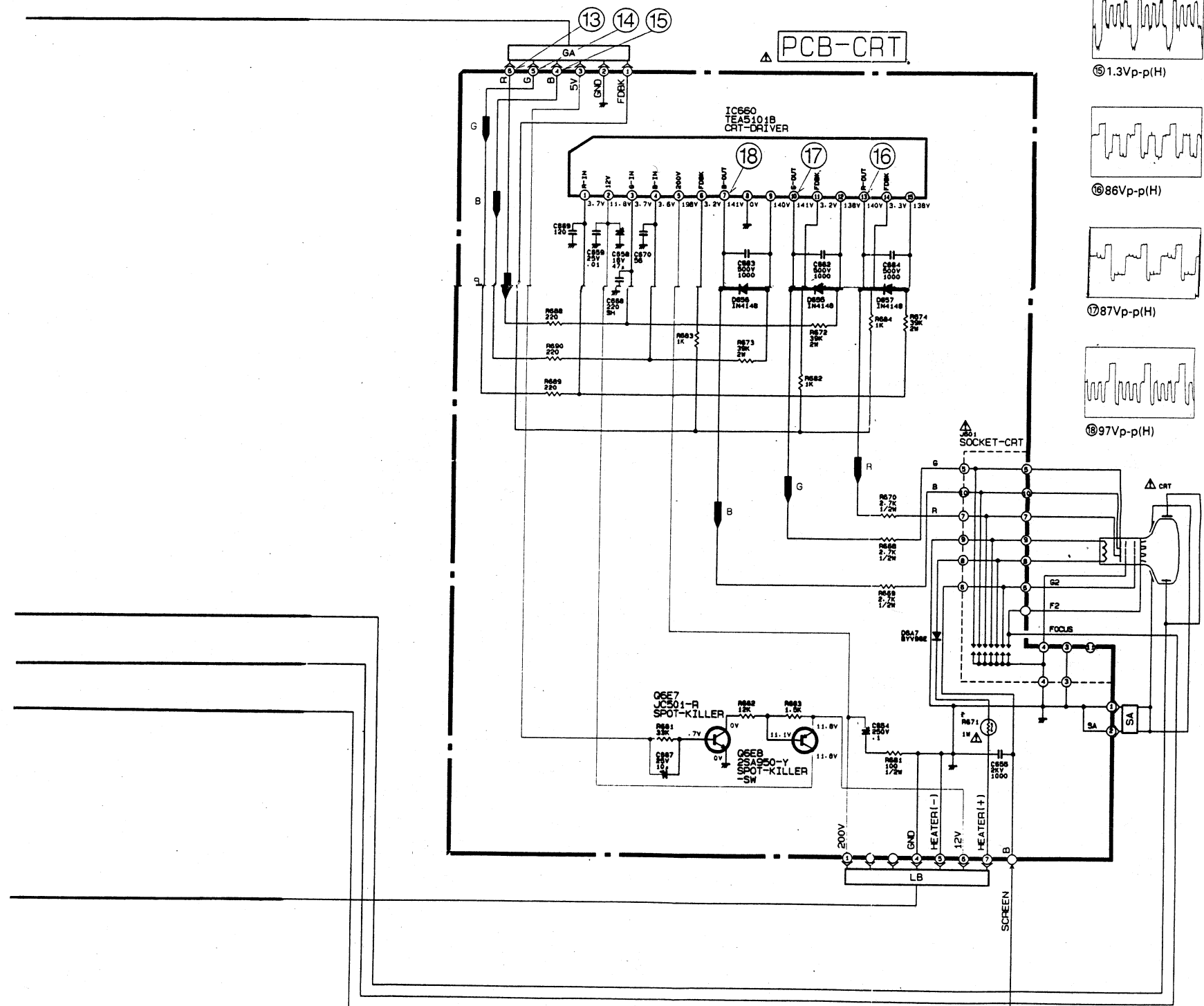
⑬ 0.86Vp-p(H)



⑭ 0.92Vp-p(H)



⑮ 1.3Vp-p(H)



*See page ① for IC BLOCK DIAGRAMS.

- CT - 21M5E
- CT - 21M5ET
- CT - 21M5RT
- CT - 25M5E
- CT - 25M5EN
- CT - 25M5ET
- CT - 25 M5ETN
- CT - 25M5RT
- CT - 25M5RTN