

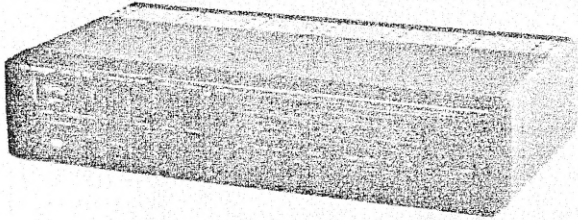


SERVICE MANUAL

MW/LW/SW/FM

Hi-Fi Stereo Receiver

MODEL tfs 301



Germany: TELETON Elektro GmbH,
Oberhausener Str. 17 4000 Düsseldorf-Rath
Tel. (0211) 65 30 81 TX 858 6768

United Kingdom: TELETON Electro (UK) Co., Ltd.
Teleton House, Waterhouse Lane,
Chelmsford/Essex
Tel. Chelmsford 62 442 TX 99 338

Technical Service Organization
Waterhouse Lane, Chelmsford, Essex.
Tel. 0245-54621 TX 99338

Belgium: TELETON N.V.
2200 Borgerhout Belgium
Prins-Leopold-Straat 28
Tel. 03/361045 TX32508
03/357670

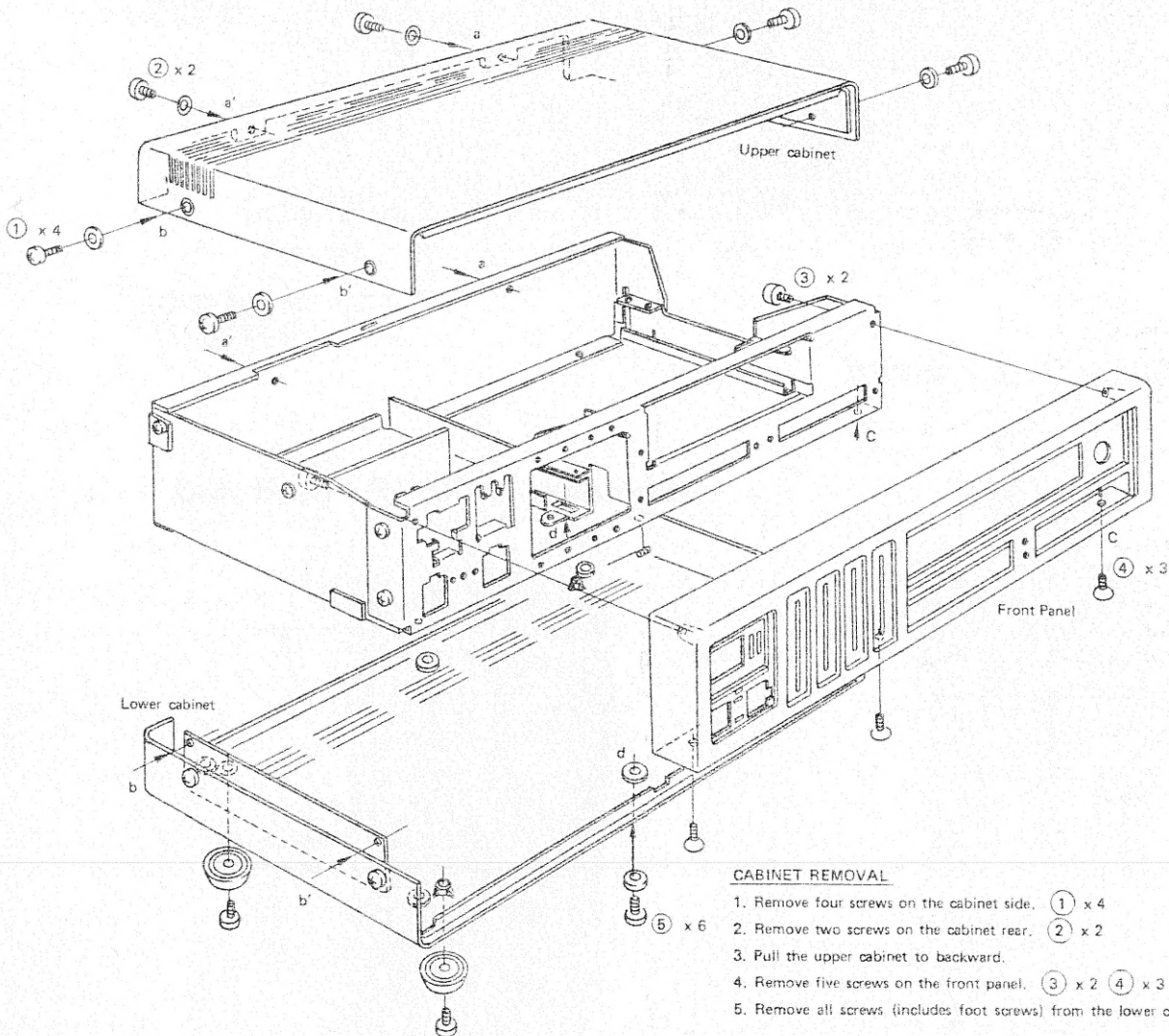
Netherlands: TELETON NEDERLAND B.V.
Marconiweg 10. Vianen
Tel. 03473-3744 TX 40581

France: TELETON Electro (France) S.à.r.l.
21 rue Paul Lafargue
94270 Le Kremlin-Bicêtre
Tel. 677 6934 TX24 468

Switzerland: TRANSACO AG
Kanzleistrasse 126 8004 Zürich
Tel. 39 45 60/23 50 40 TX 52 362

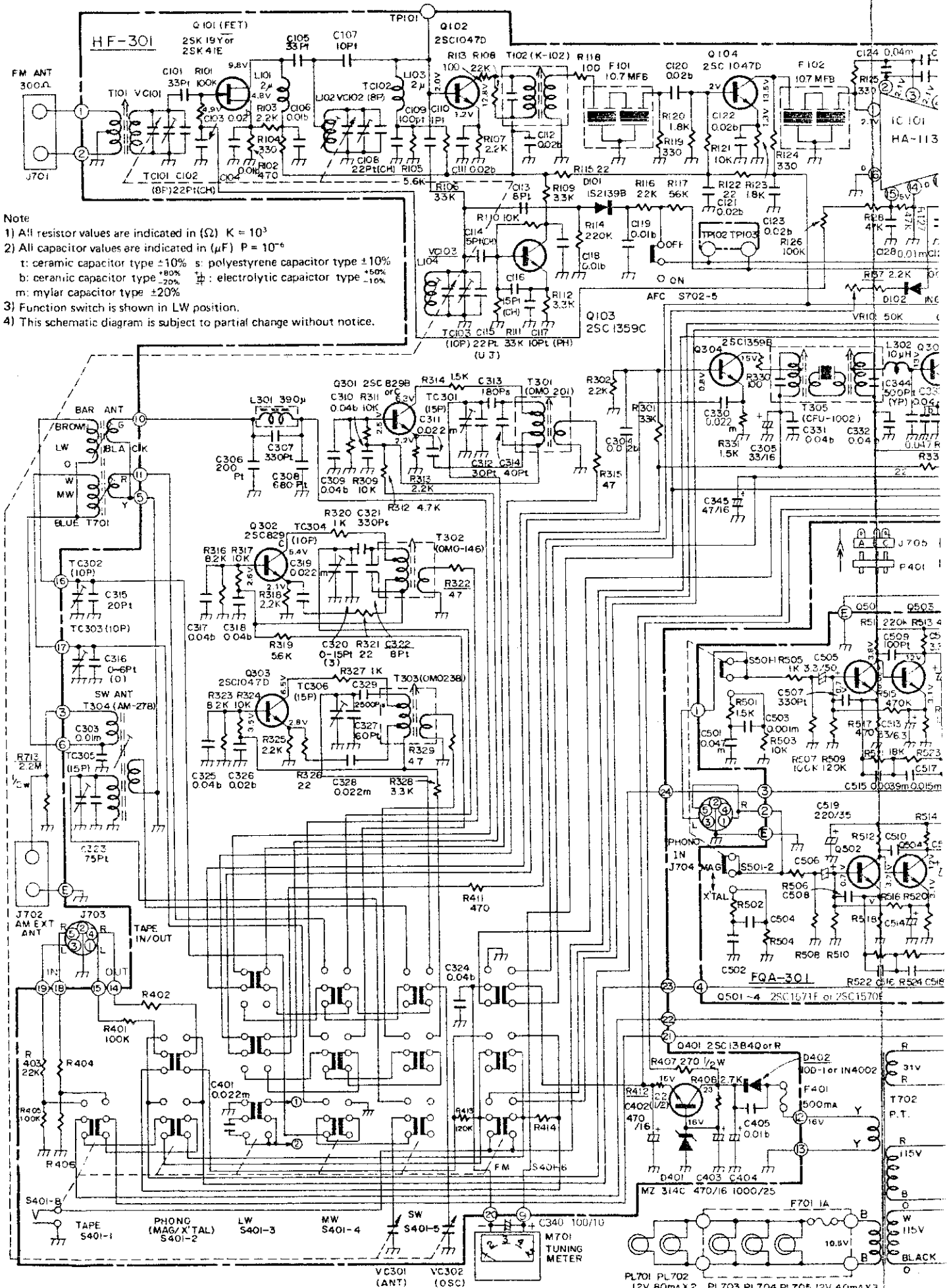
Specifications are subject to change without notice.

CABINET EXPLODED VIEW



CABINET REMOVAL

1. Remove four screws on the cabinet side. ① x 4
2. Remove two screws on the cabinet rear. ② x 2
3. Pull the upper cabinet to backward.
4. Remove five screws on the front panel. ③ x 2 ④ x 3
5. Remove all screws (includes foot screws) from the lower cabinet.



- Note:**
- 1) All resistor values are indicated in (Ω) K = 10³
 - 2) All capacitor values are indicated in (μF) P = 10⁻⁶
 - t: ceramic capacitor type ±10%
 - s: polystyrene capacitor type ±10%
 - b: ceramic capacitor type +80% -20%
 - ⊚: electrolytic capacitor type +50% -10%
 - m: mylar capacitor type ±20%
 - 3) Function switch is shown in LW position.
 - 4) This schematic diagram is subject to partial change without notice.

PL701 PL702 12V 60mA X2 PL703 PL704 PL705 12V 40mA X3

VC301 (ANT) VC302 (OSC)

MZ 314C 470/16 1000/25

F701 1A

D402 100-1 or IN4002

F401 1500mA

R 31V

T702 P.T.

R 115V

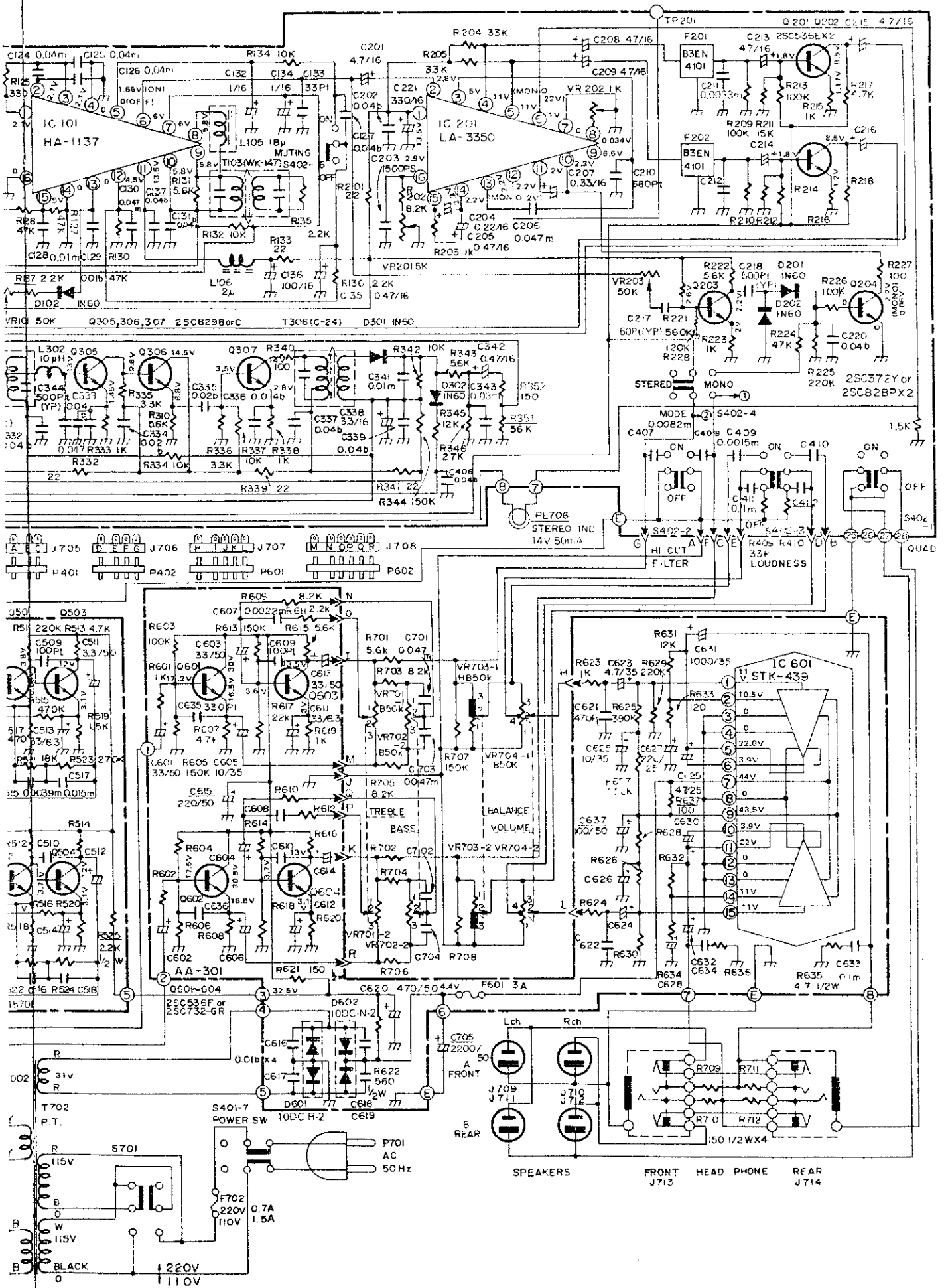
B

W 115V

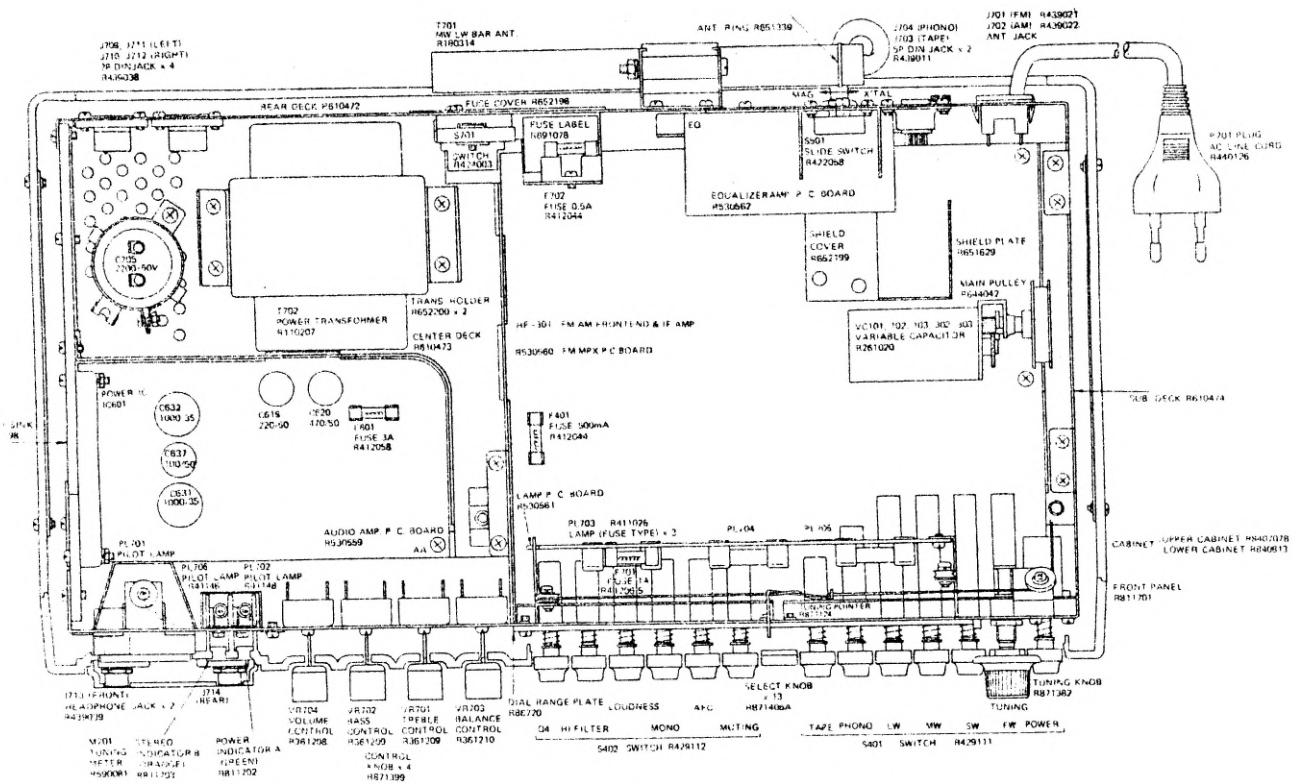
O

BLACK

DIAGRAM

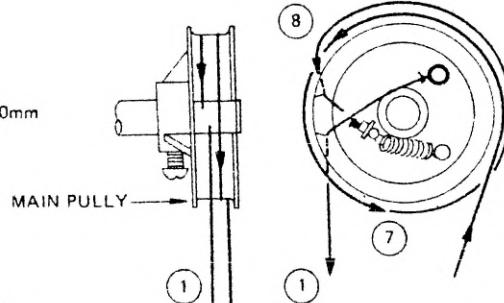


COMPONENT DIAGRAM



DIAL CORD STRINGING

The overall length of a dial cord: 1100mm



Main Pulley (with Variable Capacitor) Position:

Turn counter-clockwise to end, and then string
 ① - ⑧ order.

