

SAQ-501 SCHEMATIC DIAGRAM

2SB-400 x 2

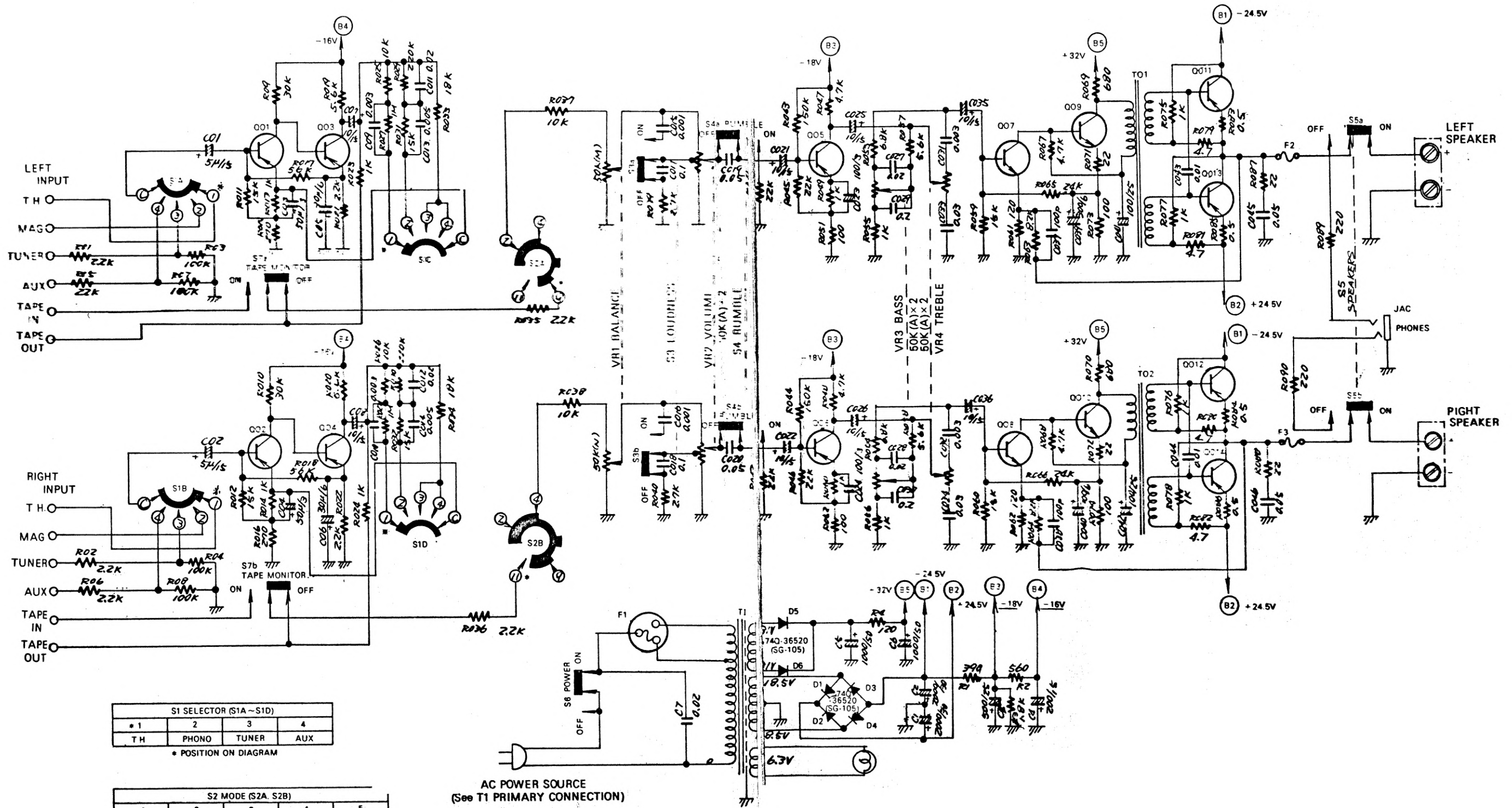
2SB-186 x 2

2SB-186 x 2

2SC-536 x 2

2SC-423 x 2

2SB-407 x 4



| S1 SELECTOR (S1A-S1D) | | | |
|-----------------------|-------|-------|-----|
| * 1 | 2 | 3 | 4 |
| TH | PHONO | TUNER | AUX |

* POSITION ON DIAGRAM

| S2 MODE (S2A, S2B) | | | | |
|--------------------|-------|------|--------|---------|
| 1* | 2 | 3 | 4 | 5 |
| LEFT | RIGHT | MONO | STEREO | REVERSE |

* POSITION ON DIAGRAM

AC POWER SOURCE
(See T1 PRIMARY CONNECTION)