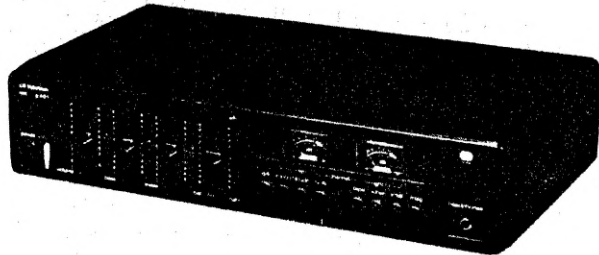




SERVICE MANUAL

Solid State Stereo Hi-Fi Amplifier

MODEL A-401



- Germany:** TELETON ELECTRO GmbH, Oberhausener Str. 17 4000 Düsseldorf-Rath Tel. (0211) 65 30 81 TX 858 6768
- United Kingdom:** TELETON Electro (UK) Co., Ltd. Teleton House, Waterhouse Lane, Chelmsford/Essex Tel. Chelmsford 62 442 TX 99 338
- Technical Service Organization Waterhouse Lane, Chelmsford, Essex. Tel. 0245-54621 TX 99338
- Belgium:** TELETON N.V. 2200 Borgerhout Belgium Prins-Leopold-Straat 28 Tel. 03/361045 TX32508 03/357670
- Netherlands:** TELETON NEDERLAND B.V. Marconiweg 10. Vianen Tel. 03473-3744 TX 40581
- France:** TELETON Electro (France) S.à.r.l. 21 rue Paul Lafargue 94270 Le Kremlin-Bicêtre Tel. 677 6934 TX24 468
- Switzerland:** TRANSACO AG Kanzleistrasse 126 8004 Zürich Tel. 39 45 60/23 50 40 TX 52 362

Specifications are subject to change without notice.

ALIGNMENT INSTRUCTION

- Equipment required : (See Fig. 1 and 2)
- Signal Generator (SG) : Output 1 kHz (Both channel Driven) with attenuator approx. 10mV – 500mV distortion 0.1% R 10 kohm
- Oscilloscope (OSC) : normal
- Amperemeter (AM) : DC 0–100mA
- Volt meter (VM) : DC 0–50V
- Dummy load (R) : 8 ohm 5% 20W

For further checks
Distortion Meter (DM)
Audio-Voltmeter (AVM)

STEP	OUTPUT	ADJUST	ADJUST FOR
1	0	VR601-L VR602-R or	Vc = 1/2 Vcc
2	0	VR603-L VR604-R or	IC = 17 mA
3	19–21W	VR601-L VR602-R or	Symmetric sine wave as shown in Fig. 2
4	just 20W	VR101 VR102	VU Meter 0dB

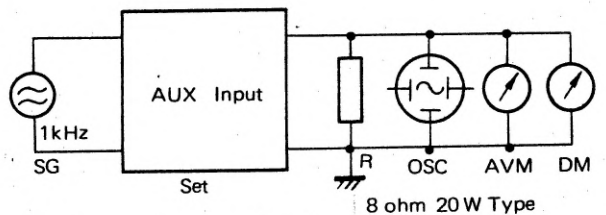


Fig. 1

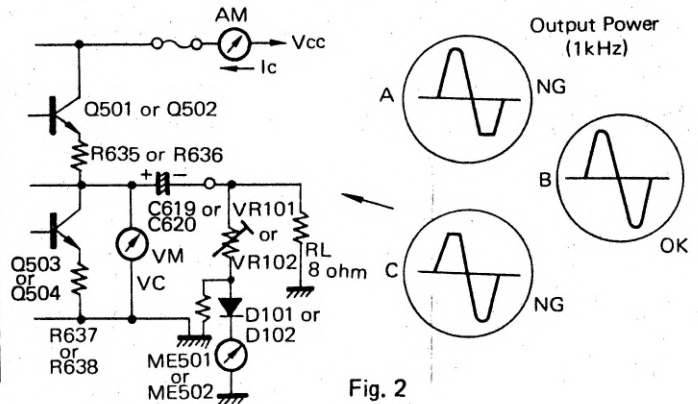
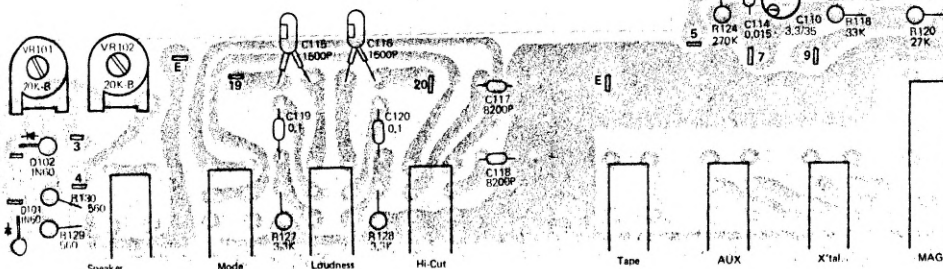
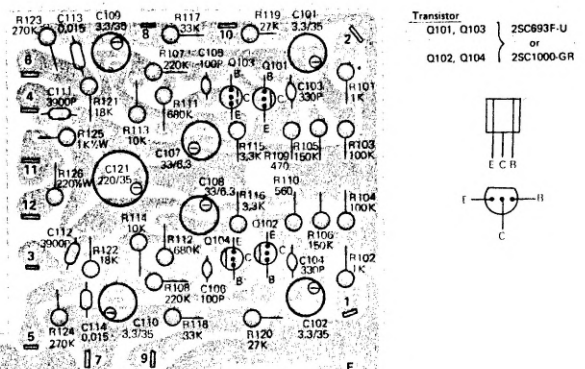


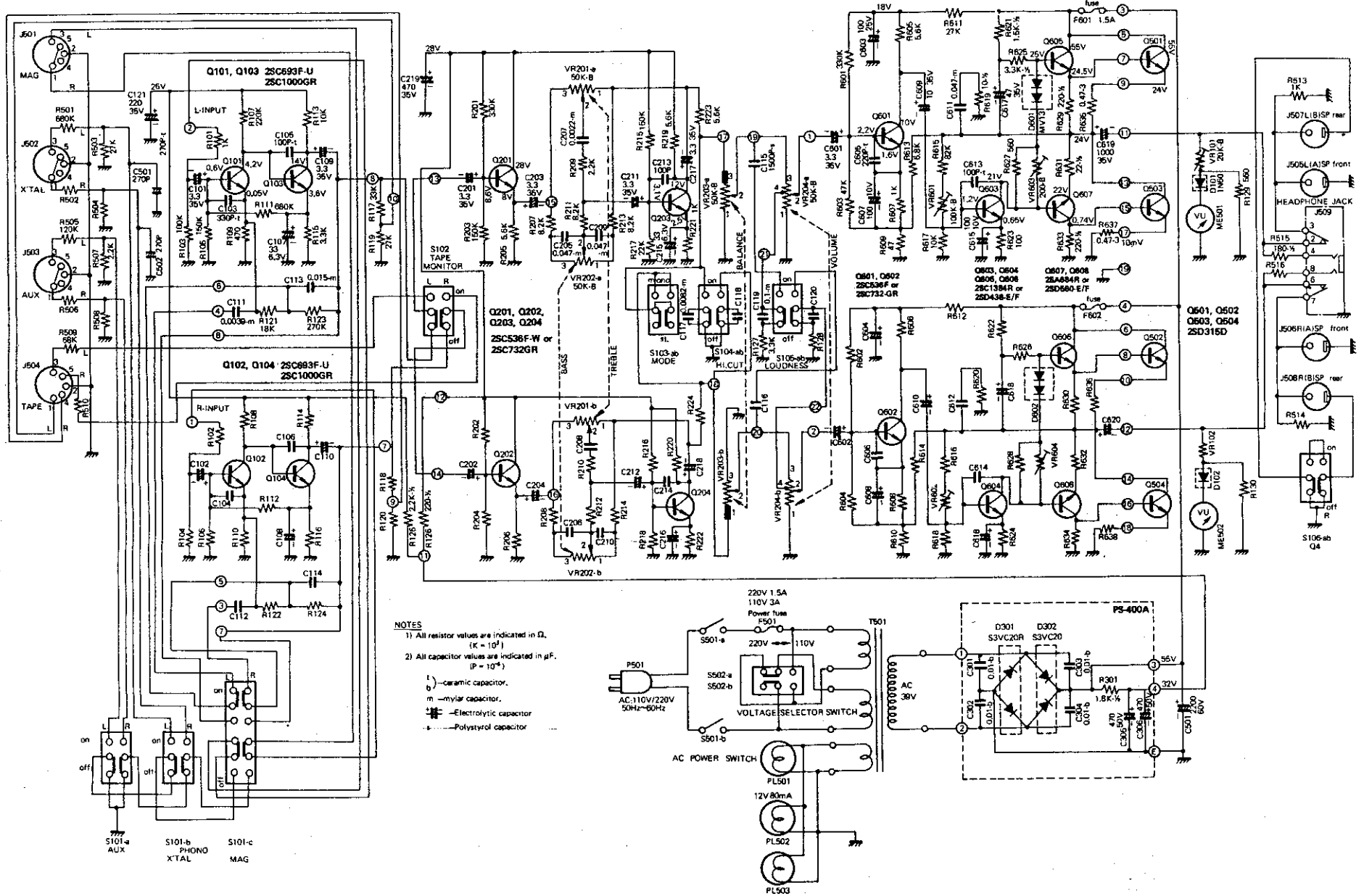
Fig. 2

Equalizer Amp P. C. Board(EQA-400)

Leider nicht besser möglich,
da Kopie von Kopie



SCHEMATIC DIAGRAM



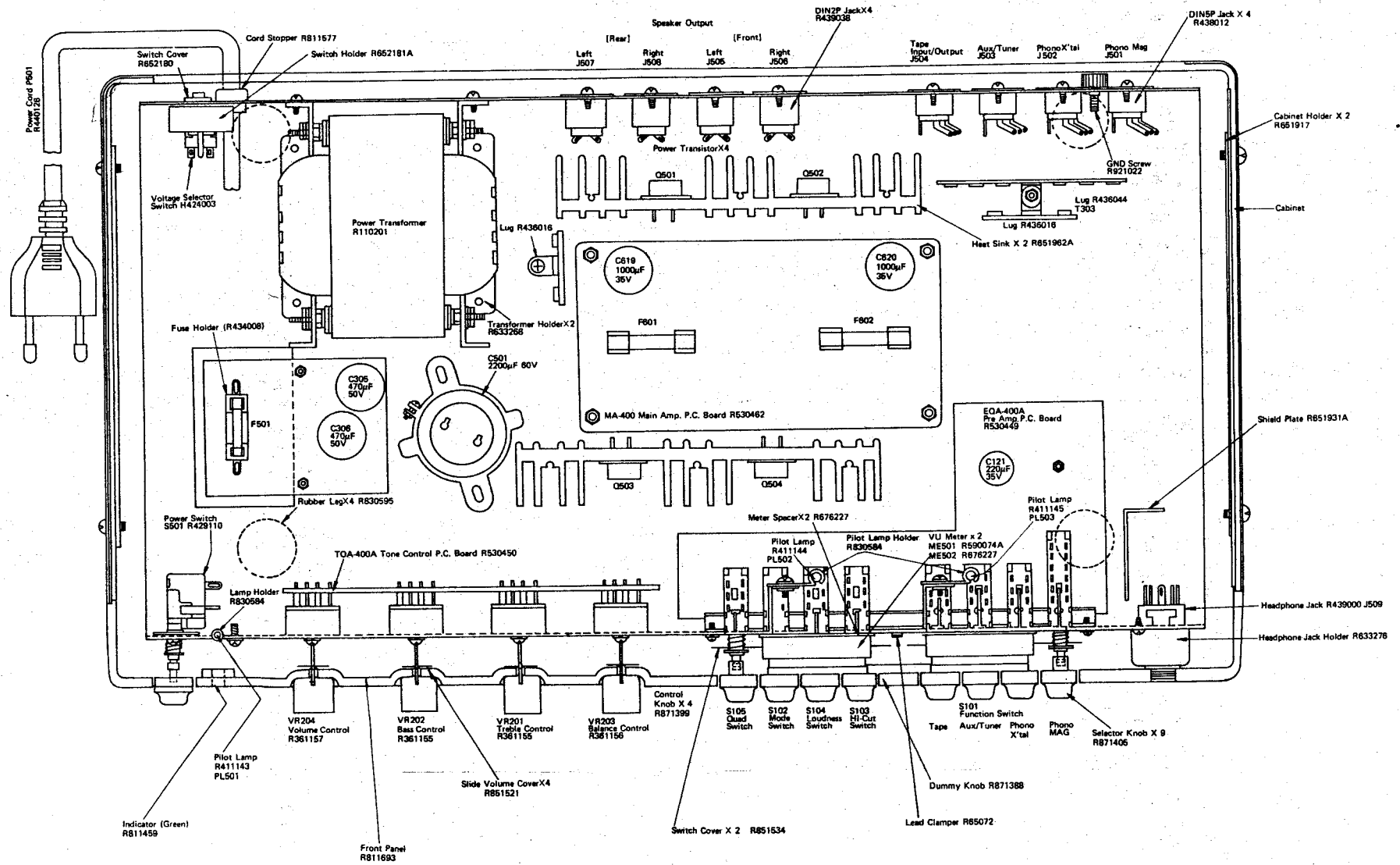
NOTES

- All resistor values are indicated in Ω , (K = 10^3)
- All capacitor values are indicated in μF , (P = 10^{-6})

l — ceramic capacitor,
 m — mylar capacitor,
 E — electrolytic capacitor,
 + — polystyrene capacitor

S101-a AUX
S101-b PHONO XTAL
S101-c MAG

COMPONENT DIAGRAM(TOP VIEW)



Tone Control Amp. P. C. Board(TOA-400)

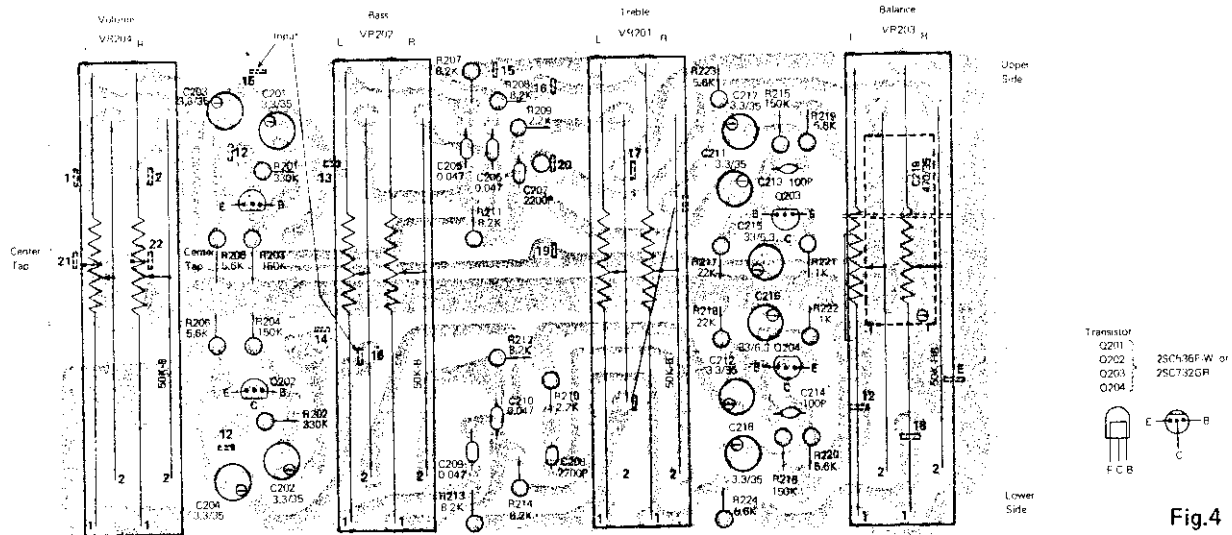


Fig.4

MAIN Amp. P. C. Board(MA-400)

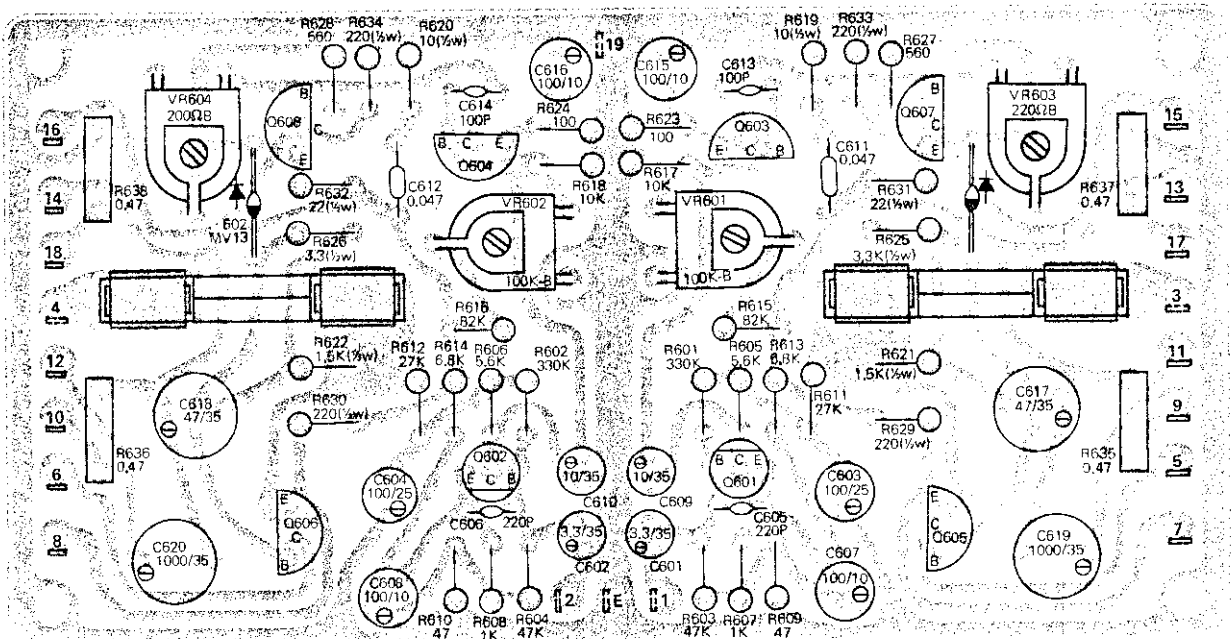
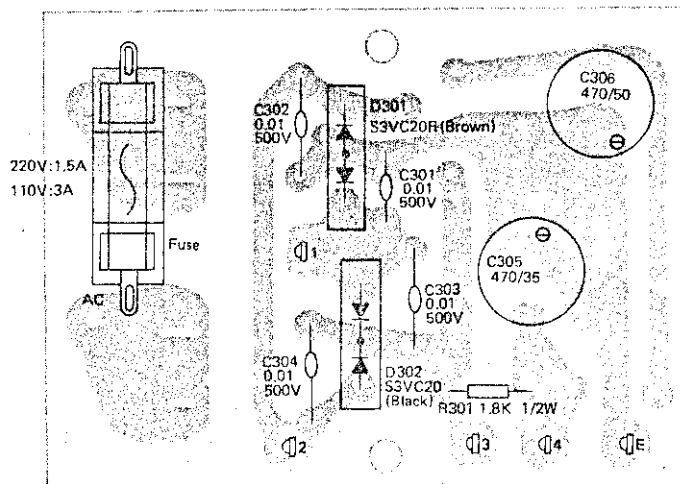


Fig. 5

Power Supply P. C. Board(PS-401)



SPARE PARTS LIST

(Standard Parts Resistors, Capacitors are not listed here.)

generalvertretungen
aiwa-canton
service-station
katharinenstraße 19
1000 berlin 31
telefon 891 70 09

Ref. No.	Part No.	Description
A. Cabinet		
	R840736	Upper Cabinet (Silver)
	R840752	Upper Cabinet (Black)
	R840725	Lower Cabinet (Silver)
	R840803	Lower Cabinet (Black)
	R811443	Upper Cabinet Sticking Piece
	R830595	Rubber Leg
	R651917	Cabinet Holder
	R811693	Front Panel
	R871405	Select Knob
	R871388	Dummy Knob
	R811459	Indicator
	R871399	Control Knob
	R851521	Slide Switch Cover
	R851534	Switch Cover
	R851535	Switch Cover
B. Chassis Parts		
	R610469A	Chassis
S501	R429110	Power Switch (Push Type)
PL501	R411143	Pilot Lamp 12V 80mA (Power)
	R830584	Pilot Lamp Holder
ME501	R590074A	Output Meter 650Ω 260μA
ME502	R676227	Meter Spacer
PL502	R411144	Pilot Lamp 12V 80mA (Meter)
PL503	R411145	Pilot Lamp 12V 80mA (Meter)
	R65072	Lead Clamper
	R676202A	Spacer (height 6.5mm)
	R633276	Headphone Jack Holder
	R439000	Headphone Jack
	R651955	Panel Stopper
	H810231	Spacer (height 12mm)
	R110201	Power Transformer
	R633268	Transformer Holder
	R436044	Lug T-303 (6P)
	R436016	Lug T-101 (2P)
	R651931A	Shield Plate
	R651962A	Heat Sink
	R811577	Cord Stopper
S502	H424003	Switch (Voltage Selector)
	R652180	Switch Cover
	R652181A	Switch Holder
J505~508	R439038	DIN 2P Jack
J501~504	R438012	DIN 5P Jack
	R921022	GND Screw

Ref. No.	Part No.	Description
C. Equalizer Amplifier P.C. Board (EQA-400) (See Fig. 3)		
	R530449	Equalizer Amplifier P.C. Board (without component)
	R436031	P.C. Board Terminal
S101~106	R429090	Push Switch
Q101~104		Transistor 2SC693Fμ or 2SC1000 GR
D101,102		Diode 1N60
VR101,102	R382034	Semi-Fixed Resistor B 20kΩ
D. Tone Control Amplifier P.C. Board (TOA-400) (See Fig. 4)		
	R530450	Tone Control Amplifier P.C. Board (without component)
Q201~204		Transistor 2SC536F or 2SC732-GR
VR201,202	R361155	B-50kΩ (Tone Control)
VR203	R361156	HB-50kΩ (Balance Control)
VR204	R361157	B-50kΩ with Center Tap (Volume Control)
E. Main Amplifier P.C. Board (MA-400) (See Fig. 5)		
	R530462	Main Amplifier P.C. Board (without component)
Q601,602		Transistor 2SC536-F-W or 2SC732-GR
Q603~606		Transistor 2SC1384-Q/R or 2SD438-E/F
Q607,608		Transistor 2SA 684-Q/R or 2SB560-E/F
D601,602		Silicon Varistor Diode MV-13
VR603,604	R382042	Semi-Fixed Resistor B-200Ω
VR601,602	R382030	Semi-Fixed Resistor B-100kΩ
	H430028	P.C. Board Fuse Holder
F601~602	R412006	Fuse 1.5A
F. Power Supply P.C. Board (PS-401) (See Fig. 6)		
	R530552	Power Supply P.C. Board (without component)
	R434008	P.C. Board Fuse Holder
F501	R412058	Fuse 3A for AC Line Voltage 115V
R502	R412057	Fuse 1.5A for AC Line Voltage 230V
D301		Silicon Rectifier Diode Stack Type S3VC20R (Brown)
D302		Silicon Rectifier Diode Stack Type S3VC 20 (Black)