

SCHALTBILD

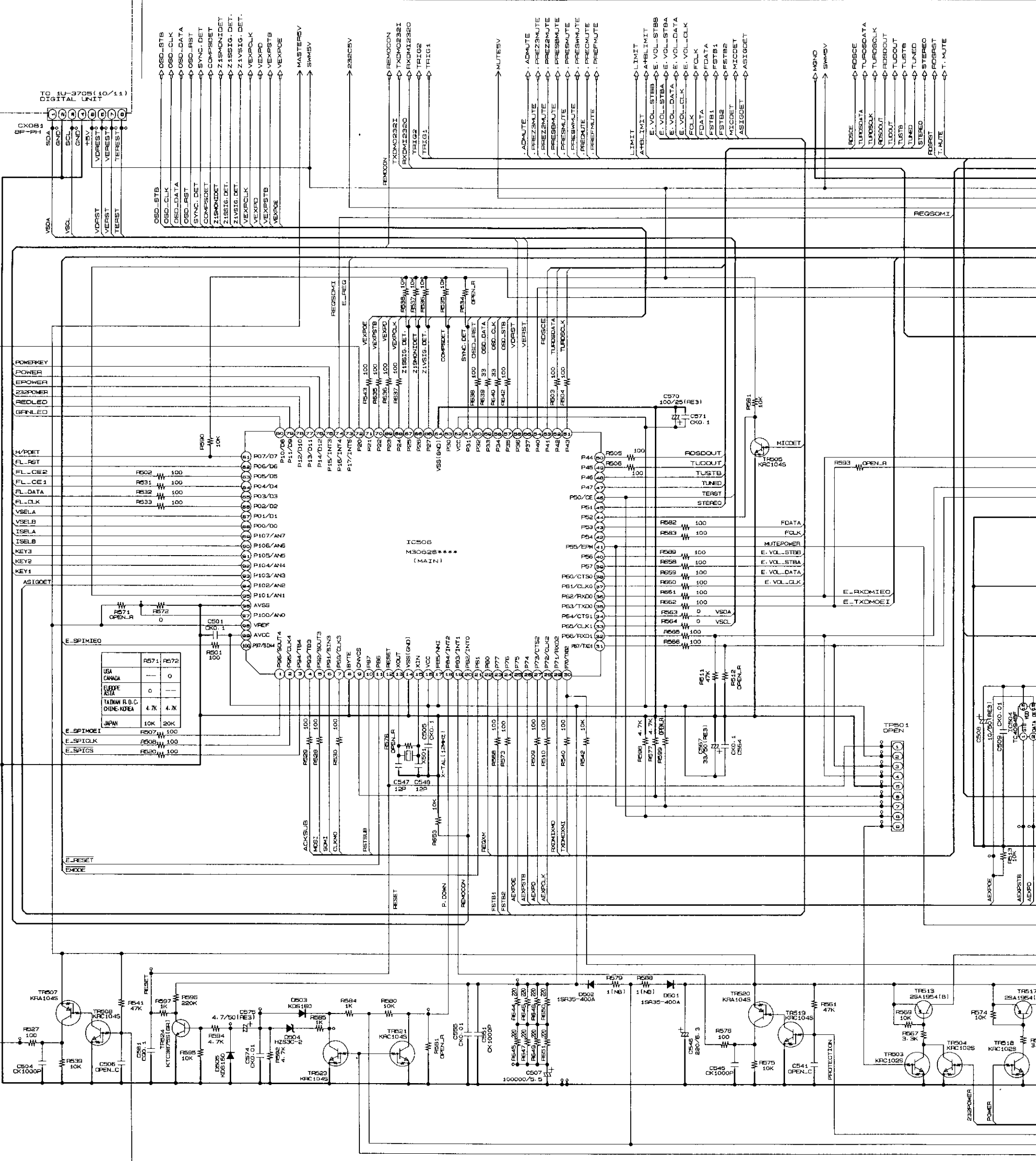
DENON

AVR3806

SCHEMATIC DIAGRAMS (1/31)

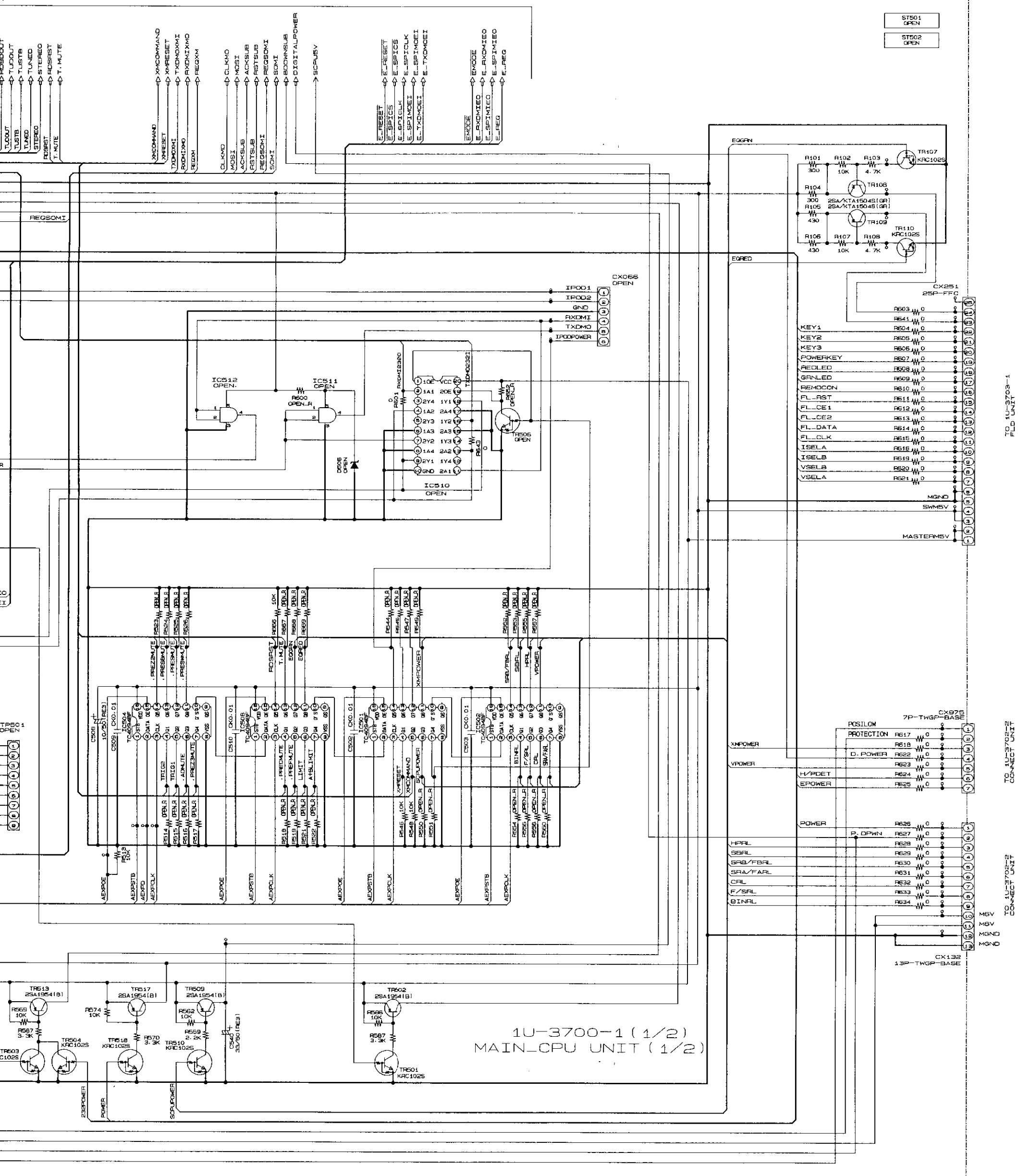
1 2 3 4 5 6

TO 1U-3700-1 (2/2)



6 7 8 9 10 11

A B C D E F G H



SCHEMATIC DIAGRAMS (1/31)
1U-3700-1 MAIN CPU UNIT (1/2)

1U-3700-1(2/2)
MAIN-CPU UNIT(2/2)

TO AUDIO
1U-3704-1

TO DIGITAL IN
1U-3700-2

TO 232C UNIT
1U-3703-13

CX912
11P-JE-BASE

CX913
11P-JE-BASE

IP00SC
IP00GND
IP00SY
CY931
OPEN

VIDEO

TO 1U-3704-5
S-VIDEO UNIT

TO 1U-700-4
PRE-CONNECT2 UNIT

TO PREOUT
1U-3700-3

CX141
14P-TUCP-BASE

TO 1U-3700-3
EXT IN/PREOUT UNIT

TO 1U-3704-1(1/4)
AUDIO UNIT

TUNER_GND
TUNER_L
TUNER_GND
TUNER_R
TUNER_GND

CX951
5P-TUCP-BASE

TO 1U-3704-1(1/4)
AUDIO UNIT

PHONOR
PHONL
CDR
CDL

CX115
11P-TUCP-BASE

DASBRSMUTE
DASBLCMUTE
DAFRSMUTE
DASLFLMUTE
ADGND
ADINR
ADGND
ADINL
ADGND
A-15V
A-15V
A+15V

CX154
15P-TUCP-BASE

DASBR
DA-AGND
DASW
DA-AGND
DAC
DA-AGND
DASBL
DA-AGND
DASR
DA-AGND
DAFR
DA-AGND
DAFL
DA-AGND
DASL

TO 1U-3704-1(2/4)
AUDIO UNIT

DAZ3R
DAZ3L
DAZ2R
DAZ2L
DAZ2MUTE
DAZ3MUTE

CX116
11P-TUCP-BASE

HIGH+B(MUTE)
MUTESV
MUTEGND
-ADMUTE
-PREZMUTE
-PREZMUTE
-PREZMUTE
-PREZMUTE
-PREZMUTE
-PREZMUTE
-PREZMUTE
-PREZMUTE
-ADMUTE
-15V

TO 1U-3704-1(3/4)
AUDIO UNIT

HIGH+B(MUTE)
PRECPUGND
LIMIT
A+BLIMIT
E.VOL-STBB
E.VOL-STBA
E.VOL-DATA
E.VOL-CLK
FCLK
FDATA
FSTB1
FSTB2
ADMUTE
MICDET
ASIGDET

TO 1U-3704-1(4/4)
AUDIO UNIT

DAZ3R
DAZ3L
DAZ2R
DAZ2L
DAZ2MUTE
DAZ3MUTE

TO 1U-3700-2
DIGITAL IN UNIT

+15V
TUNER_L
TUNER_GND
TUNER_R
MGND
SWMSV

T.MUTE
RDSRST
RDSCE
TURSDATA
TURSDCLK
RDSCLK
TURSDOUT
TURSDTB
TUNED
STEREO

TO 1U-3700-2
DIGITAL IN UNIT

AVR-MODEL ONLY
CX957
6P-TUCP-BASE
D.IN
ZONE2
ZONE3
DREC
DGND
DS.3V

TO 1U-3700-2
DIGITAL IN UNIT

DINA
DINB
DINC
DRECA
DRECB
DRECC
DRECIH
DZ3A
DZ3B
DZ3C
DZ3IH

CX114
11P-TUCP-BASE

DINA
DINB
DINC
DRECA
DRECB
DRECC
DRECIH
DZ3A
DZ3B
DZ3C
DZ3IH

TO 1U-3700-2
DIGITAL IN UNIT

DINA
DINB
DINC
DRECA
DRECB
DRECC
DRECIH
DZ3A
DZ3B
DZ3C
DZ3IH

TO 1U-3700-2
DIGITAL IN UNIT

DINA
DINB
DINC
DRECA
DRECB
DRECC
DRECIH
DZ3A
DZ3B
DZ3C
DZ3IH

TO 1U-3700-2
DIGITAL IN UNIT

DINA
DINB
DINC
DRECA
DRECB
DRECC
DRECIH
DZ3A
DZ3B
DZ3C
DZ3IH

TO 1U-3700-2
DIGITAL IN UNIT

DINA
DINB
DINC
DRECA
DRECB
DRECC
DRECIH
DZ3A
DZ3B
DZ3C
DZ3IH

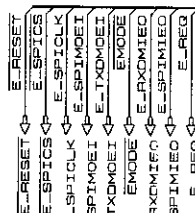
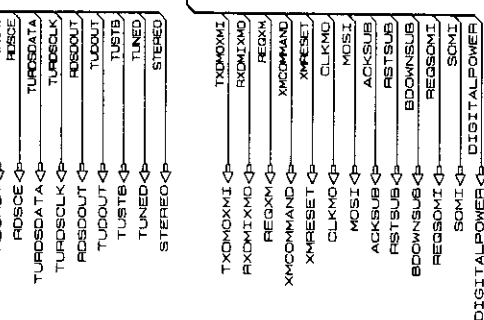
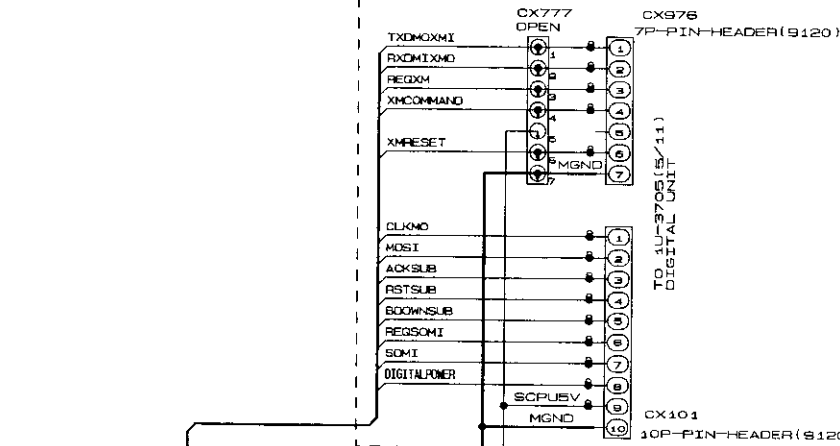
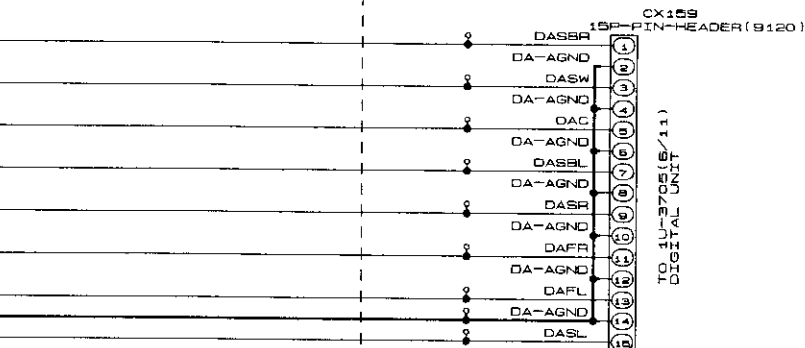
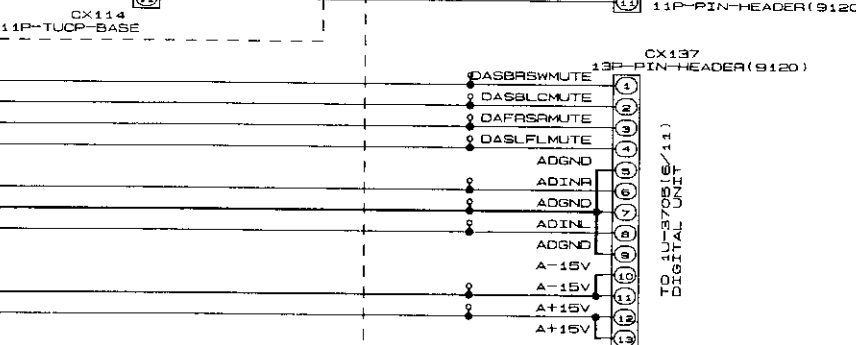
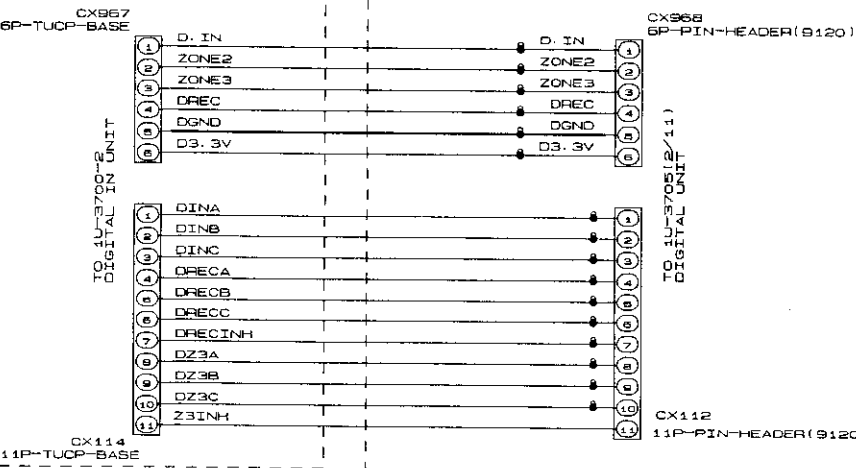
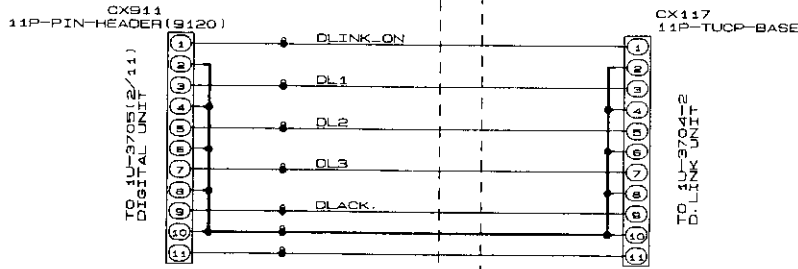
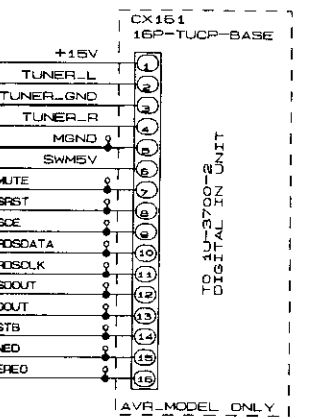
TO 1U-3700-2
DIGITAL IN UNIT

DINA
DINB
DINC
DRECA
DRECB
DRECC
DRECIH
DZ3A
DZ3B
DZ3C
DZ3IH

DIGITAL IN
1U-3700-2

TO DIGITAL UNIT
1U-3705

TO D. LINK
1U-3704-2

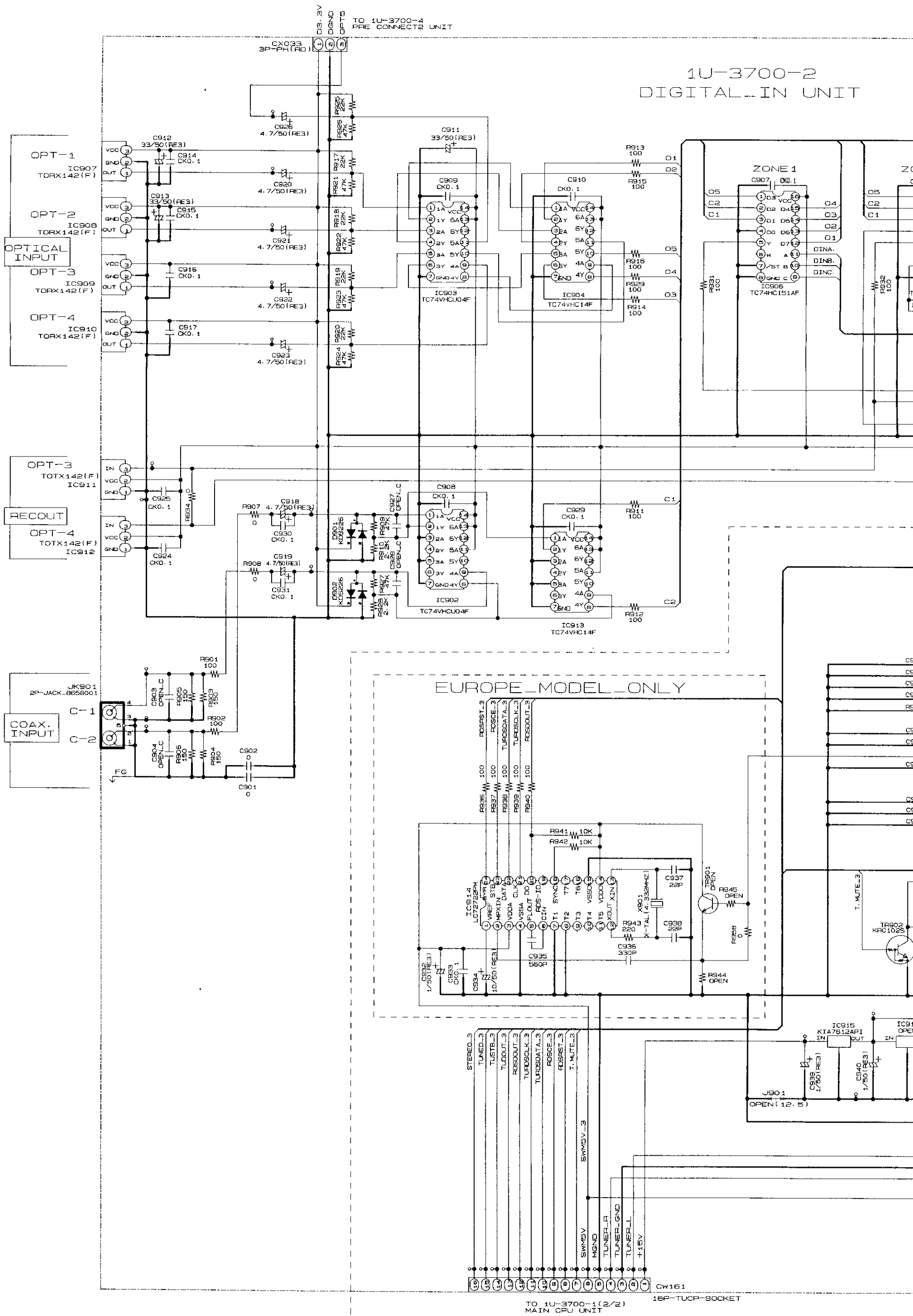


| | |
|---|---|
| DENON | |
| ORIGINAL ERSATZTEILE ORIGINAL SPAREPARTS | |
| Original Part Number E014106B | Lot Number (For AV 3806) 0250375608 |
| Part Number 1 | |
| Original Part Number 054395300 | Original Date 28.02.2006 |
| Schematic Diagram AVR3806 SMAVR3806 | |

DENO-00418



1U-3700-2
DIGITAL-IN UNIT



6

7

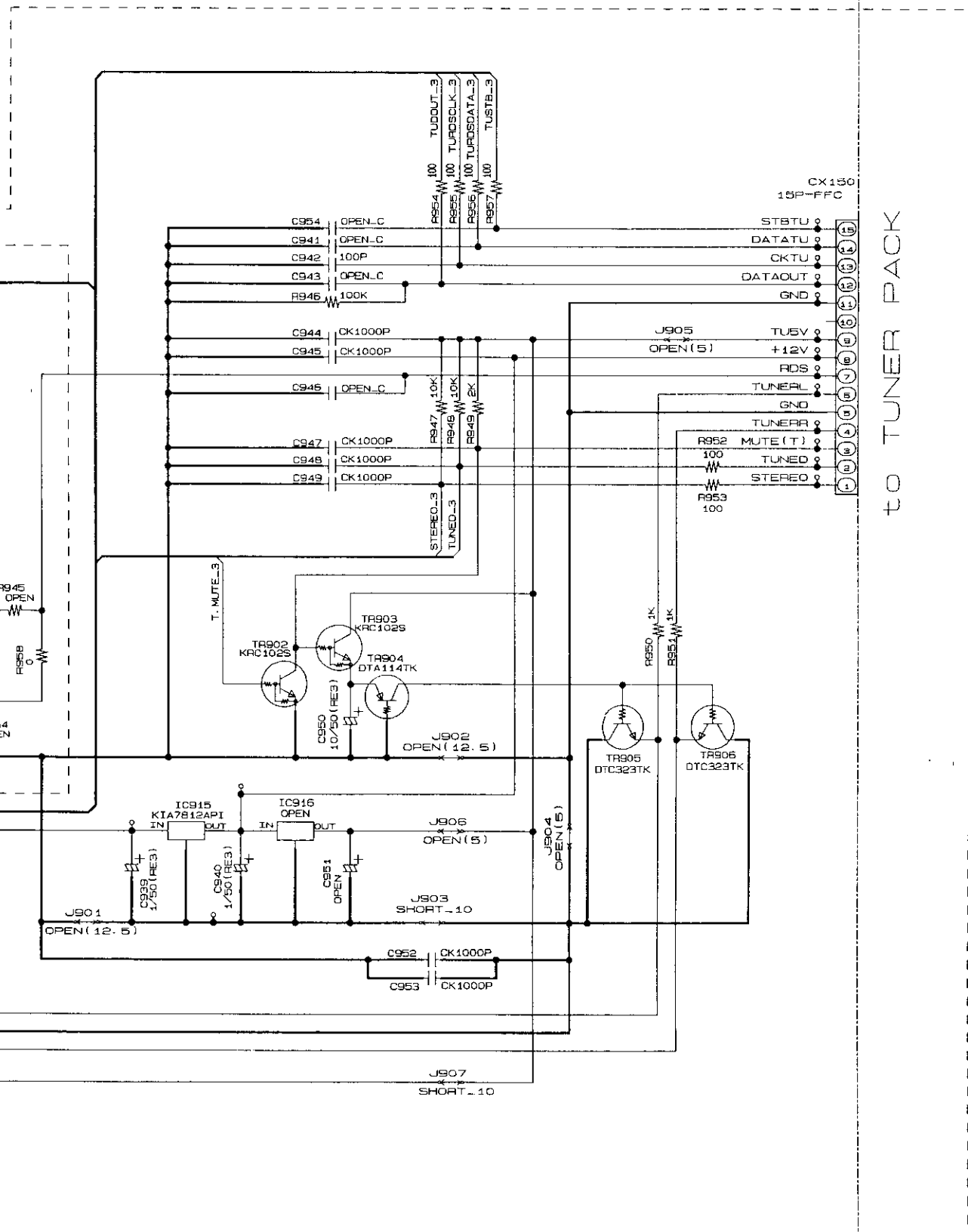
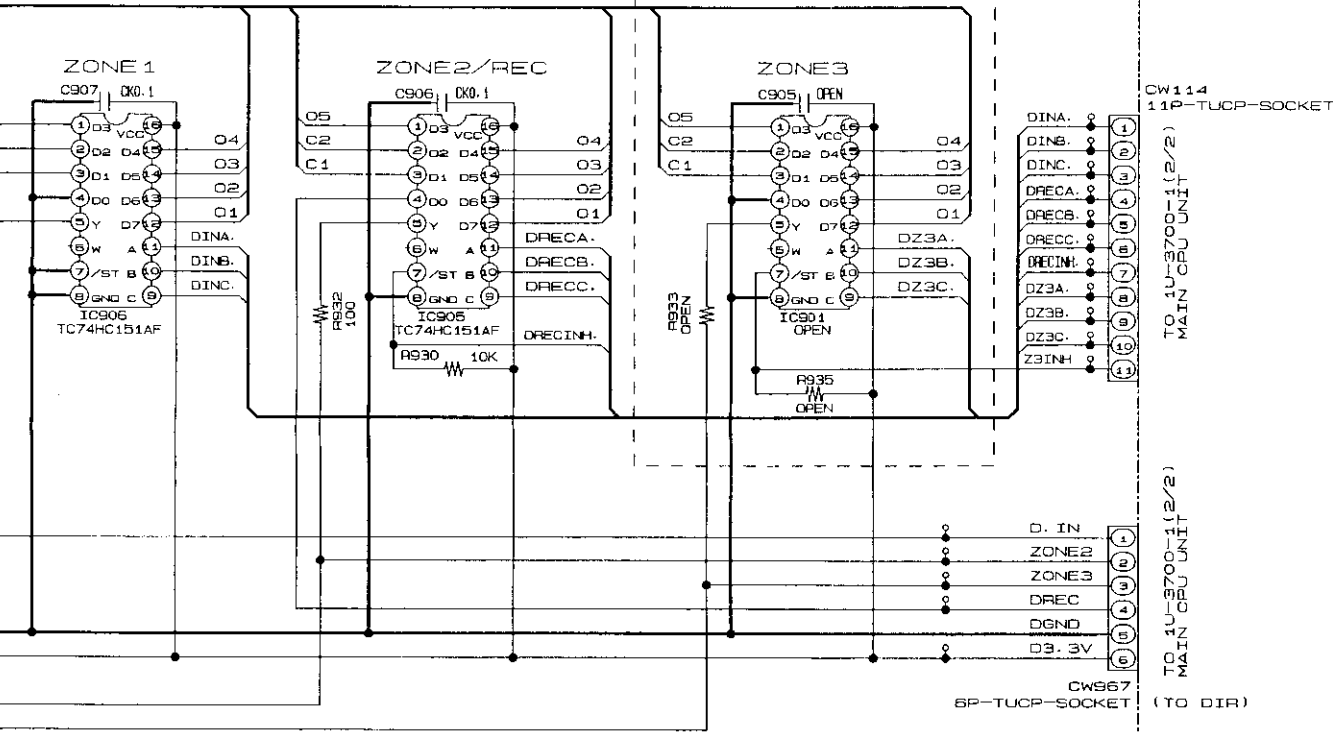
8

9

10

11

1U-3700-2
DIGITAL IN UNIT



SCHEMATIC DIAGRAMS (3/31)
1U-3700-2 DIGITAL IN UNIT

AVR-MODEL ONLY

1U-3700-3
EXT-IN/PREOUT UNIT

AVR_MODEL ONLY

PREOUT

FL

FR

C

SW

SL

SR

SBL

SBR

ZONE 2
(AVR MODEL ONLY)

AVR MODEL
ZONE 3
OUT

AVC MODEL
TUNER
IN

EXT. IN
FL

EXT. IN
FR

EXT. IN
SW

EXT. IN
SL

EXT. IN
SR

EXT. IN
SBL

EXT. IN
SBR

EXT. IN
SBL

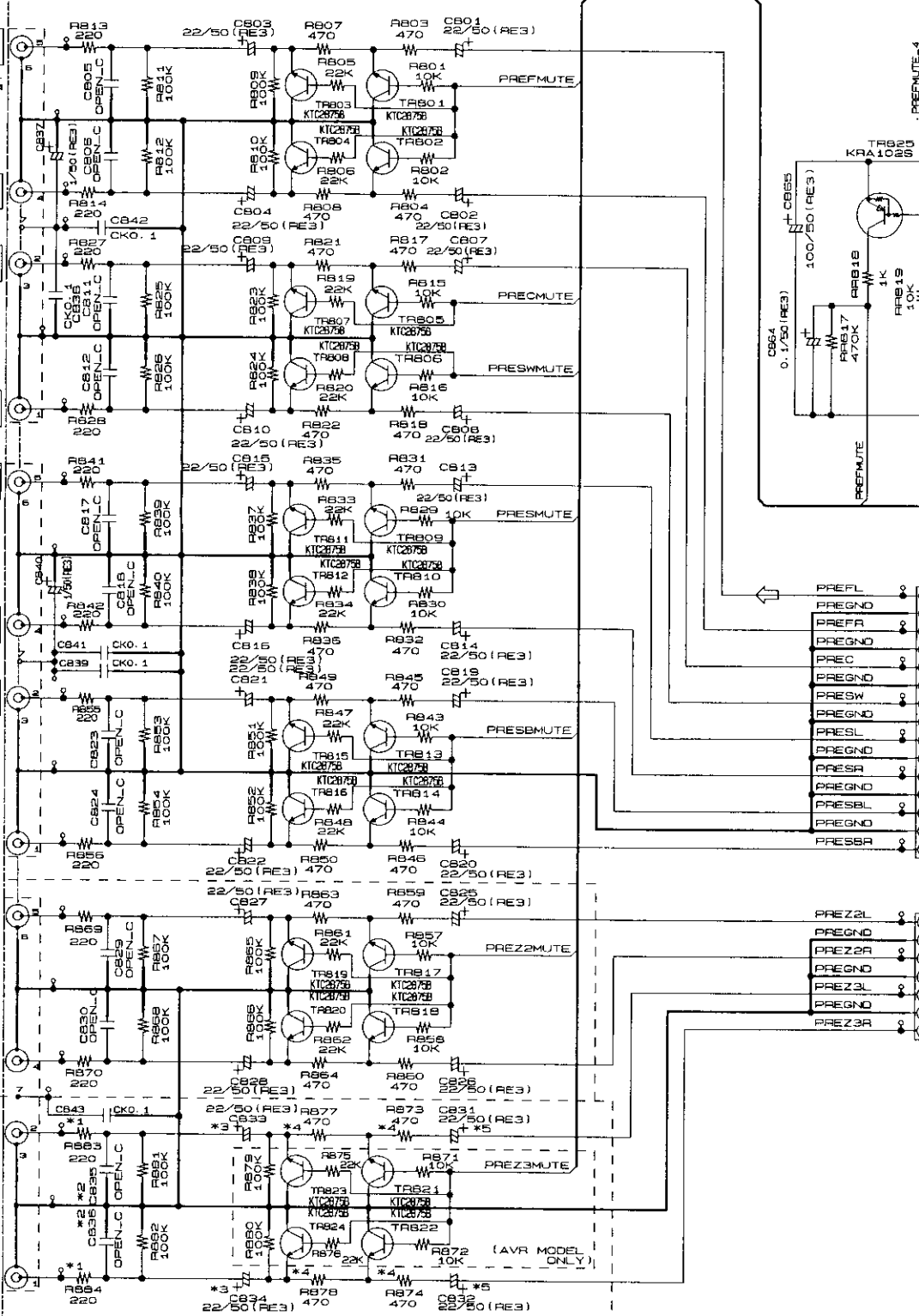
EXT. IN
SBR

AVR MODEL ONLY

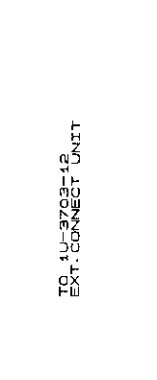
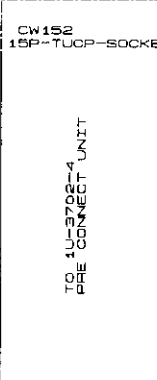
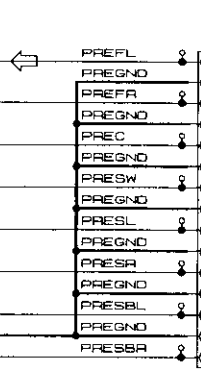
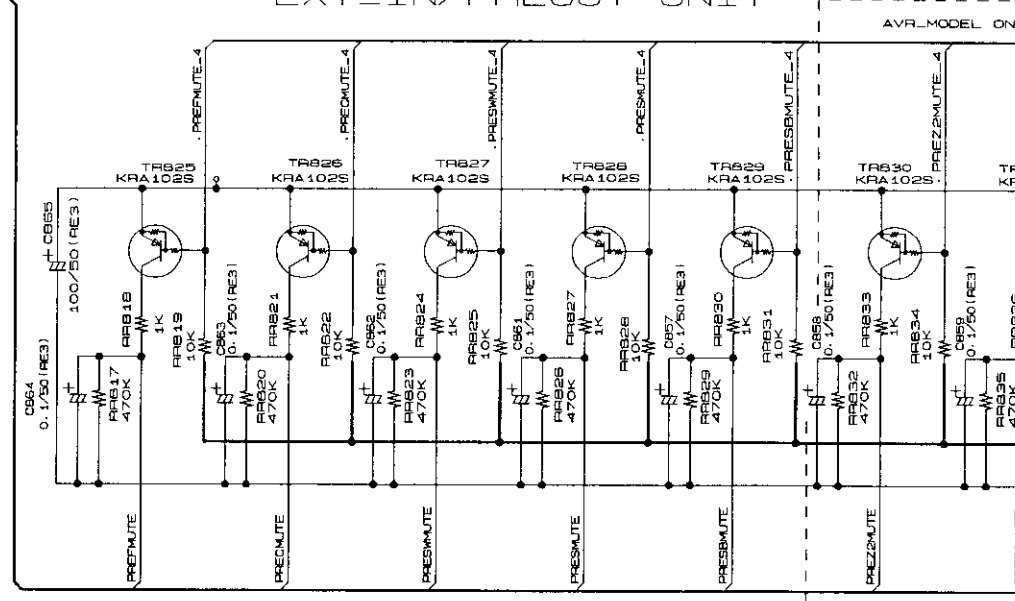
EXT. IN

EXT. IN

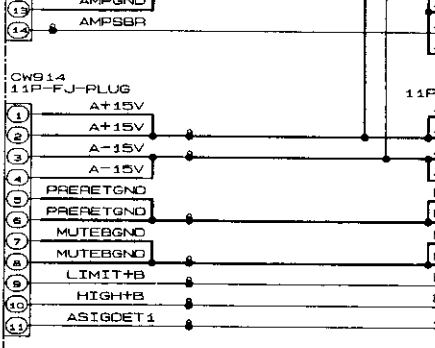
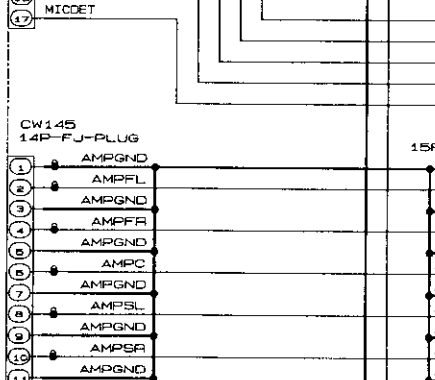
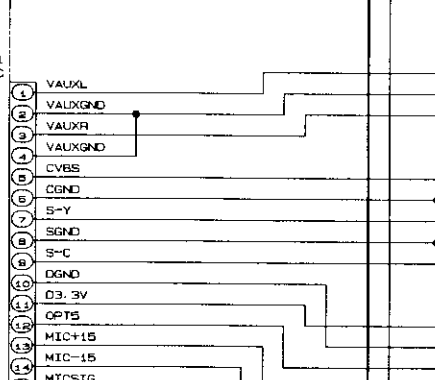
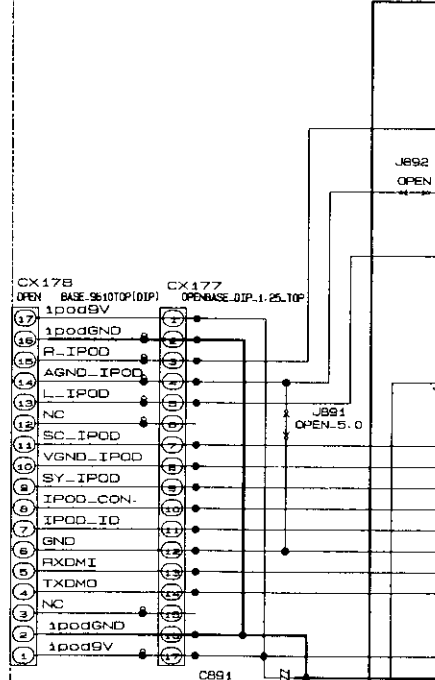
EXT. IN



| | *1 | *2 | *3 | *4 |
|-----------|--------------|--------------|------------------------|--------------|
| AVR MODEL | R883 R884 | C833 C834 | R877, 879 R878, 874 | C833 C834 |
| AVC MODEL | 220 | 22/50 | 470 | 22/50 |



1U-3700-4
PRE ± CONNECT UNIT



CY171
17P-FPC

TO 1U-3704-3
FRONT IN UNIT

TO 1U-3704-1
AUDIO UNIT

TO 1U-3704-1
AUDIO UNIT

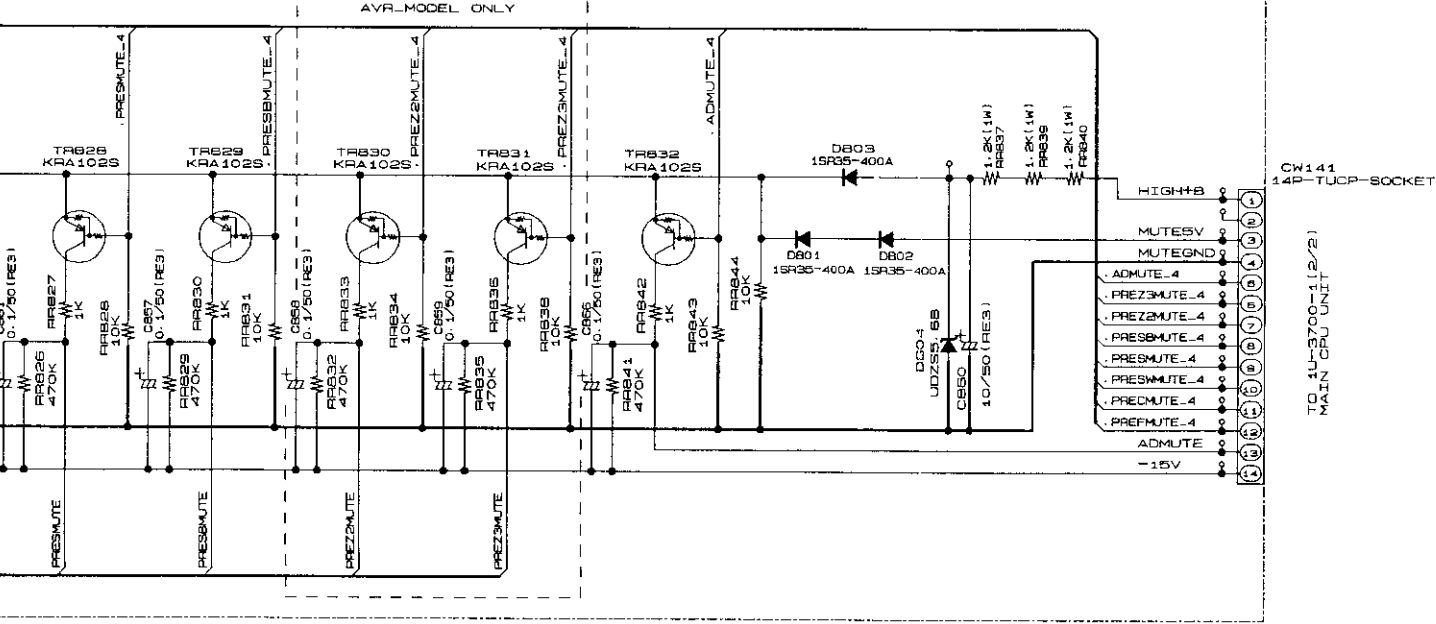
TO 1U-3704-1
AUDIO UNIT

11P

11P

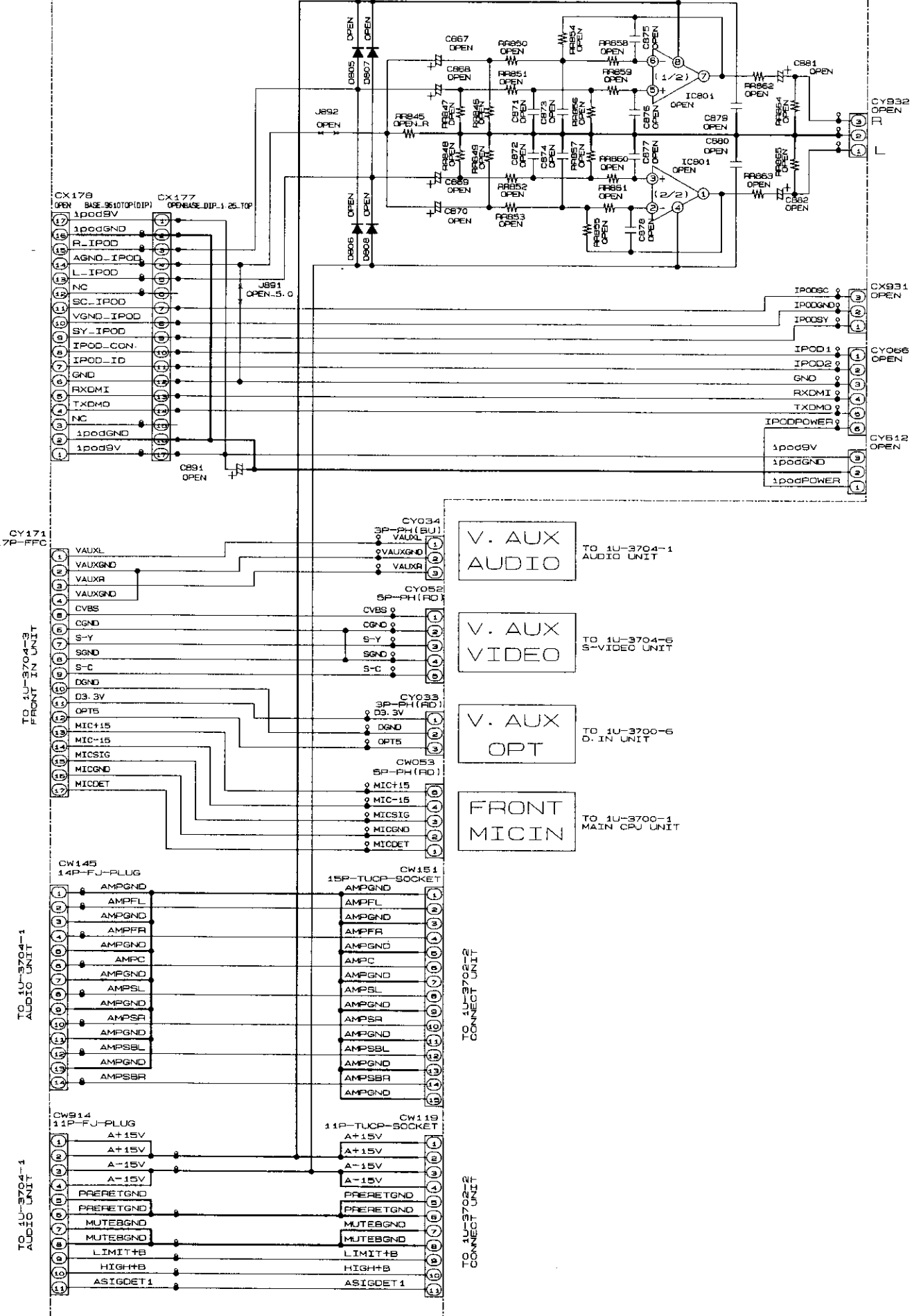
11P

1U-3700-3
PREOUT UNIT



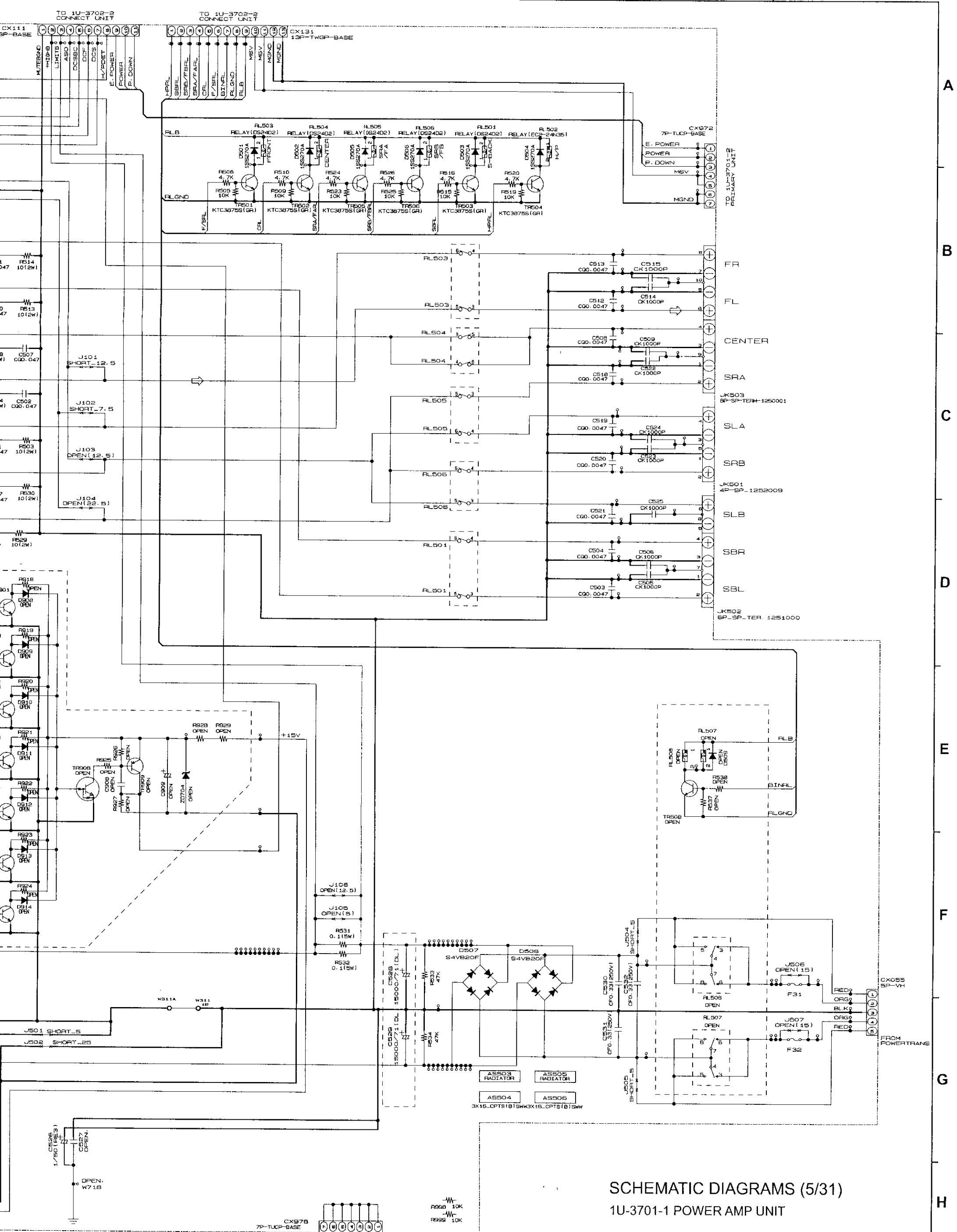
-W- OPEN.L
 R996 OPEN.L
 -W- OPEN.L
 R997 OPEN.L
 -W- OPEN.L
 R998 OPEN.L
 -W- OPEN.L
 R999 OPEN.L

1U-3700-4
PRE ± CONNECT UNIT

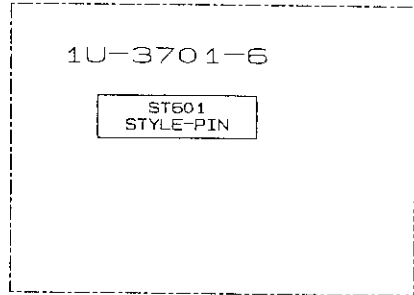
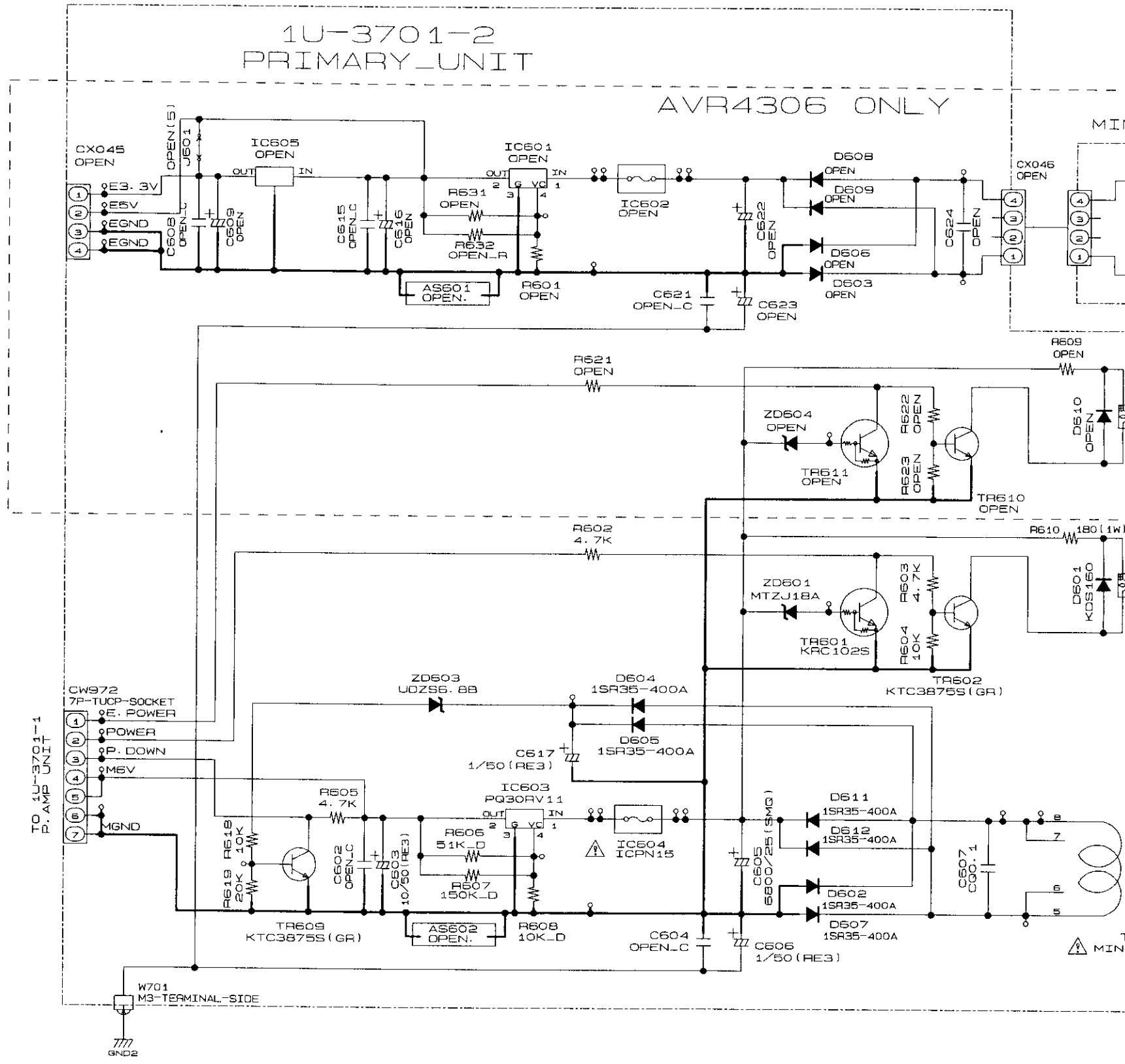


SCHEMATIC DIAGRAMS (4/31)
1U-3700-3 EXT IN / PREOUT UNIT
1U-3700-4 PRE CONNECT2 UNIT

6 7 8 9 10 11

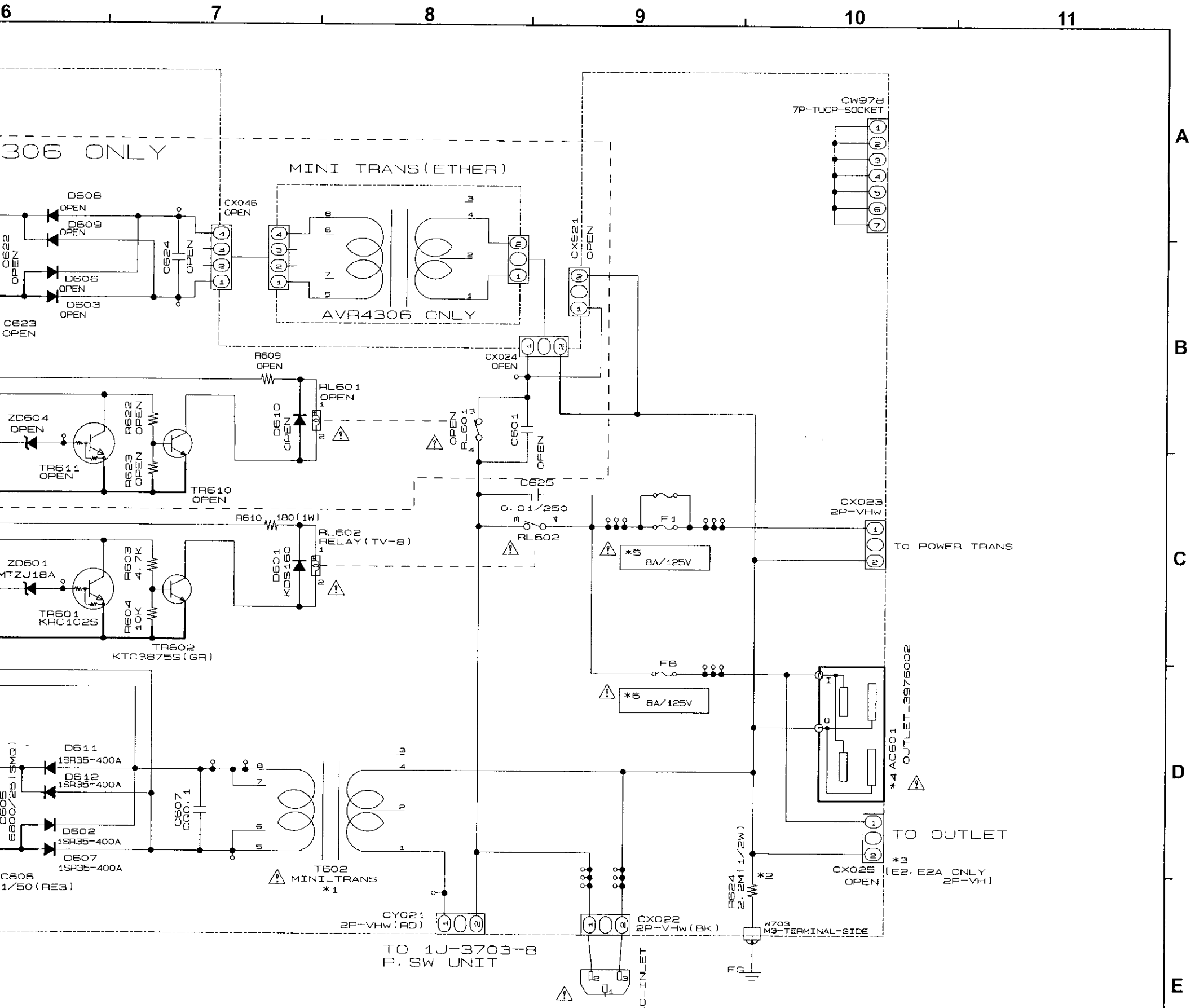


SCHEMATIC DIAGRAMS (5/31)
1U-3701-1 POWER AMP UNIT



AVR3806

| | *1 |
|----------------|---------|
| | T602 |
| *USA CANADA | 2336524 |
| EUROPE | 2336526 |
| ASIA | 2336526 |
| CHINA KOREA | 2336528 |
| TAIWAN R. O. C | 2336524 |
| JAPAN | 2330703 |

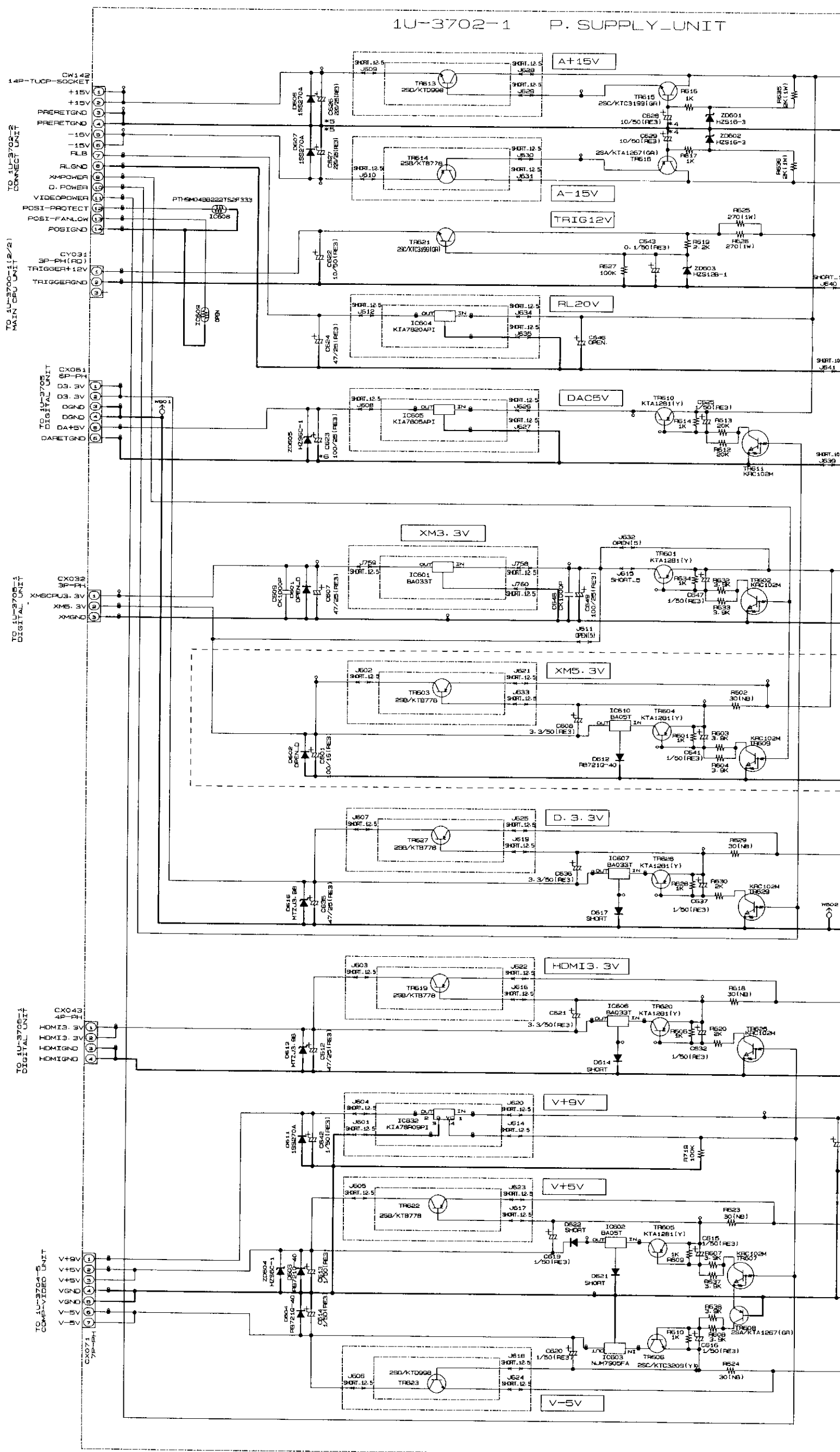


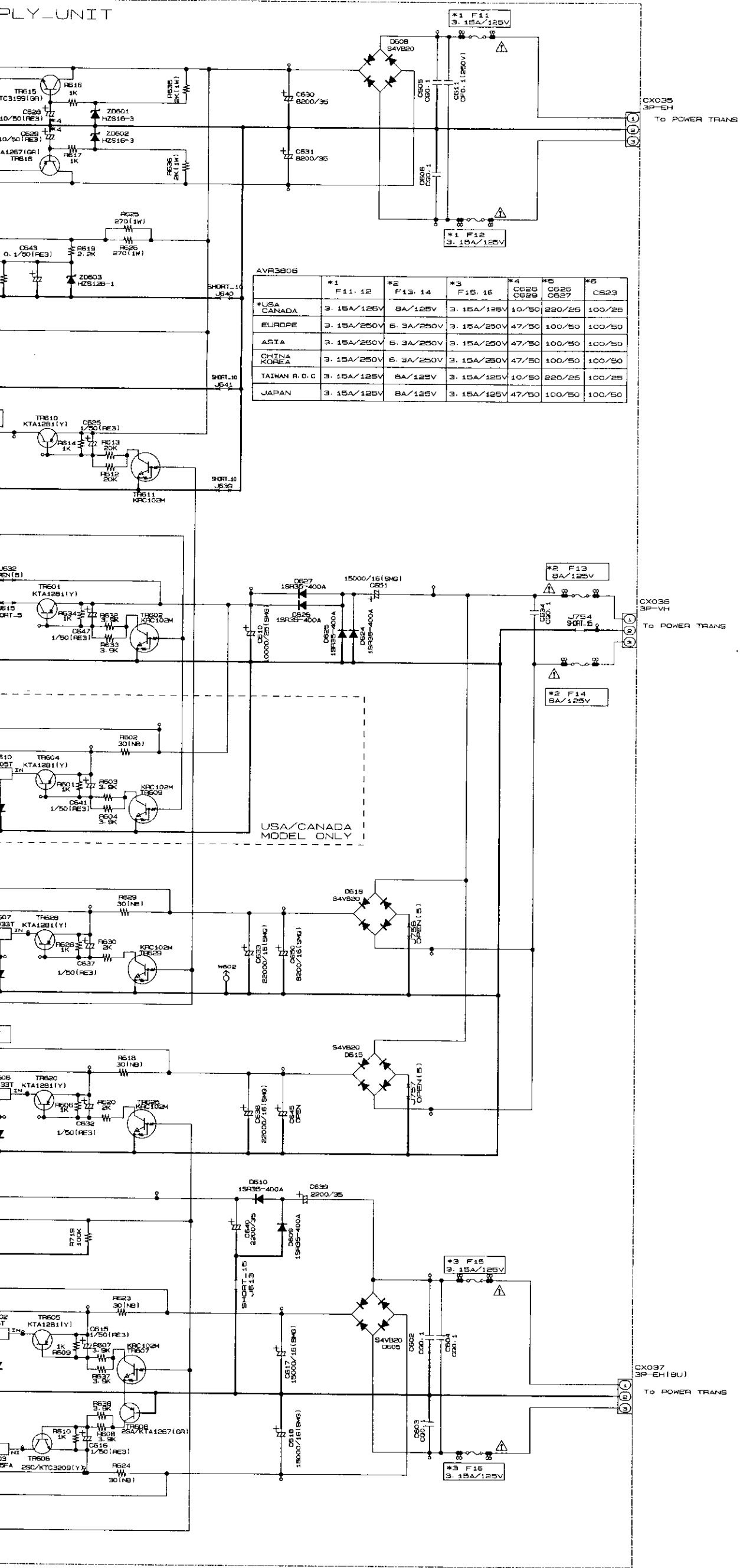
AVR3806

| | *1 | *2 | *3 | *4 | *5 | *6 |
|----------------|------------|------|-------|--------------|----------|-----------|
| | T602 | R624 | CX025 | AC601 | F1 | F8 |
| *USA CANADA | 2336524009 | 2.2M | OPEN | AC OUTLET | 8A/125V | 8A/125V |
| EUROPE | 2336526007 | OPEN | 2P-VH | OPEN | 4A/250V | 2.5A/250V |
| ASIA | 2336526007 | OPEN | 2P-VH | OPEN | 4A/250V | 2.5A/250V |
| CHINA KOREA | 2336528005 | OPEN | OPEN | OPEN | 4A/250V | OPEN |
| TAIWAN R. O. C | 2336524009 | OPEN | OPEN | AC OUTLET | 8A/125V | 8A/125V |
| JAPAN | 2330703004 | OPEN | OPEN | AC OUTLET | 10A/125V | 8A/125V |

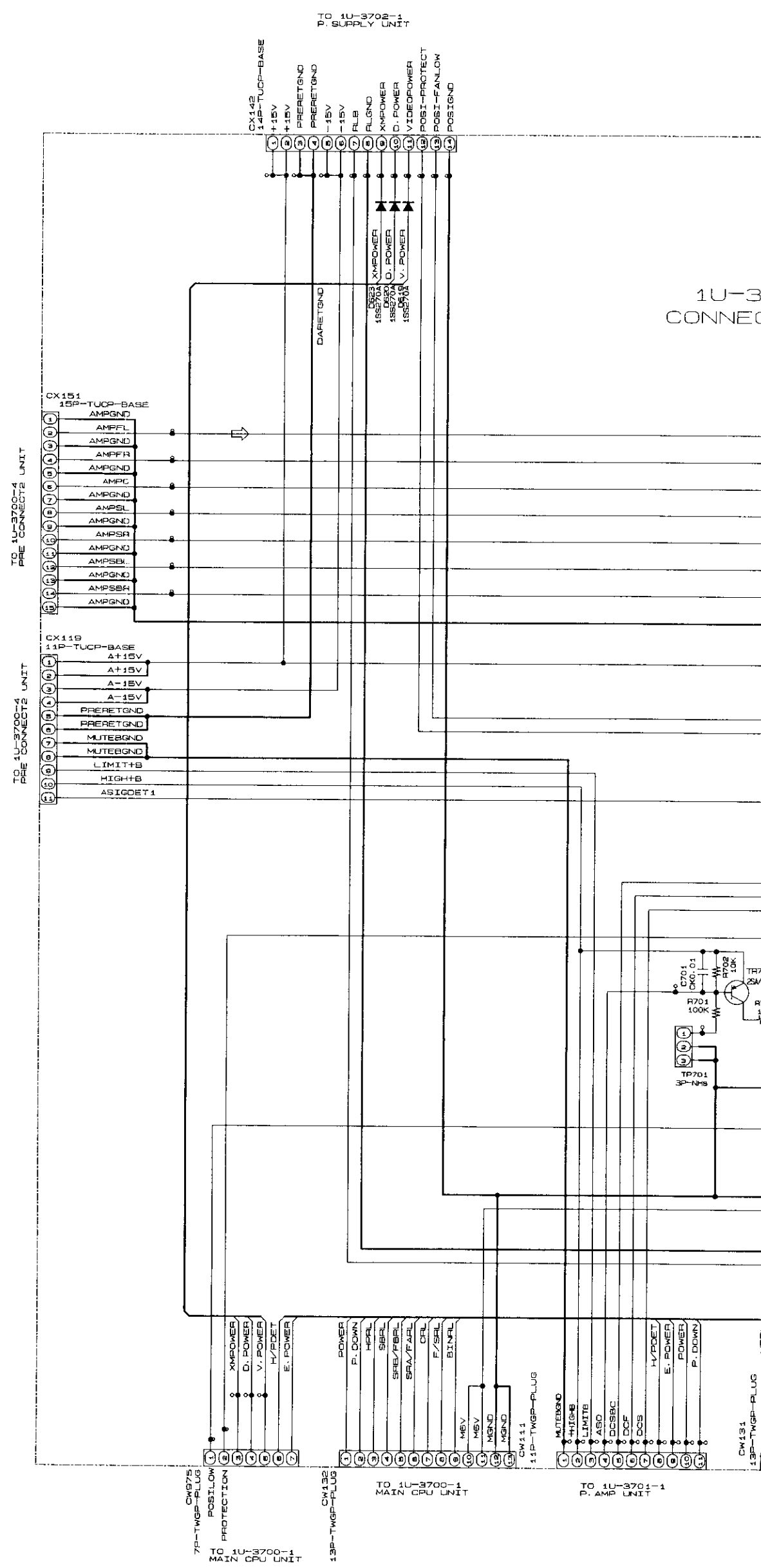
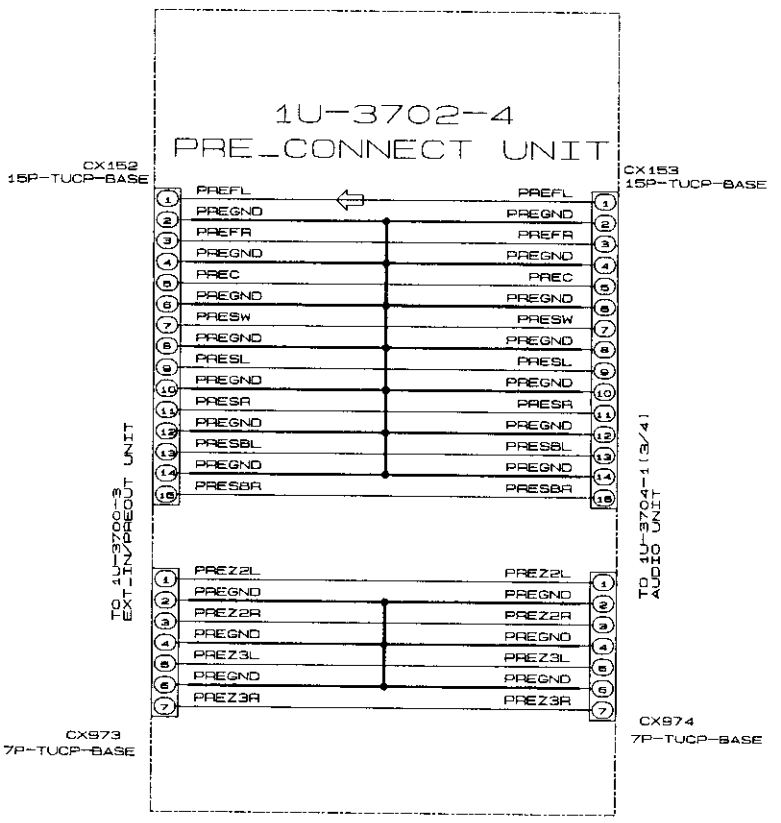
SCHEMATIC DIAGRAMS (6/31)

1U-3701-2 PRIMARY UNIT
1U-3701-6 STYLE PIN UNIT





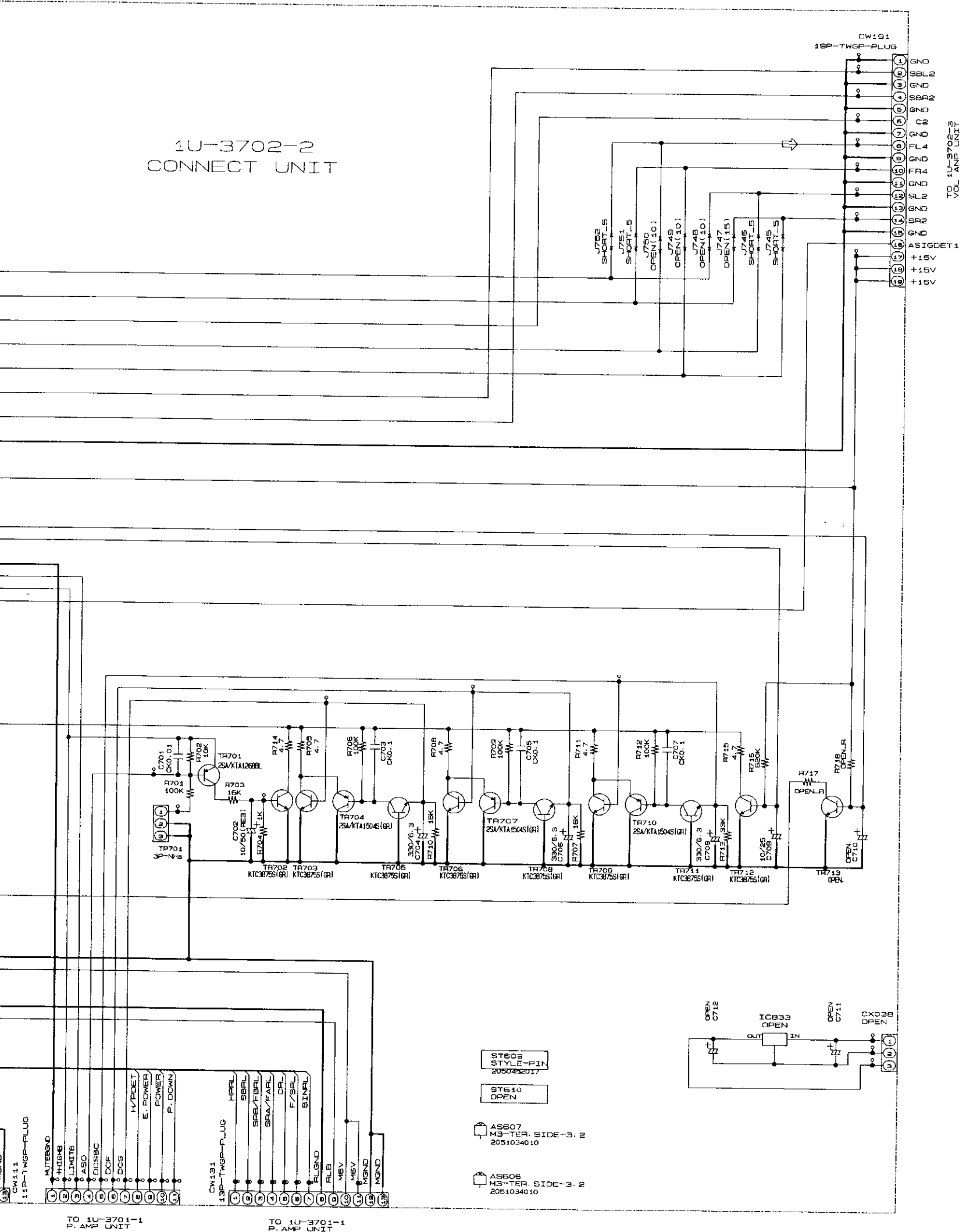
SCHEMATIC DIAGRAMS (7/31)
1U-3702-1 P. SUPPLY UNIT



6 7 8 9 10 11

A
B
C
D
E
F
G
H

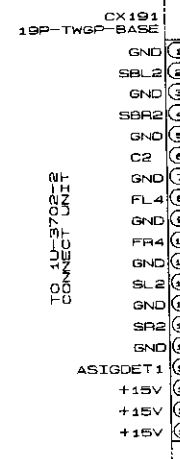
1U-3702-2
CONNECT UNIT



- ST609
STYLE-PIN
2050782017
- ST610
OPEN
- AS607
M3-TER. SIDE-3. 2
2051034010
- AS608
M3-TER. SIDE-3. 2
2051034010

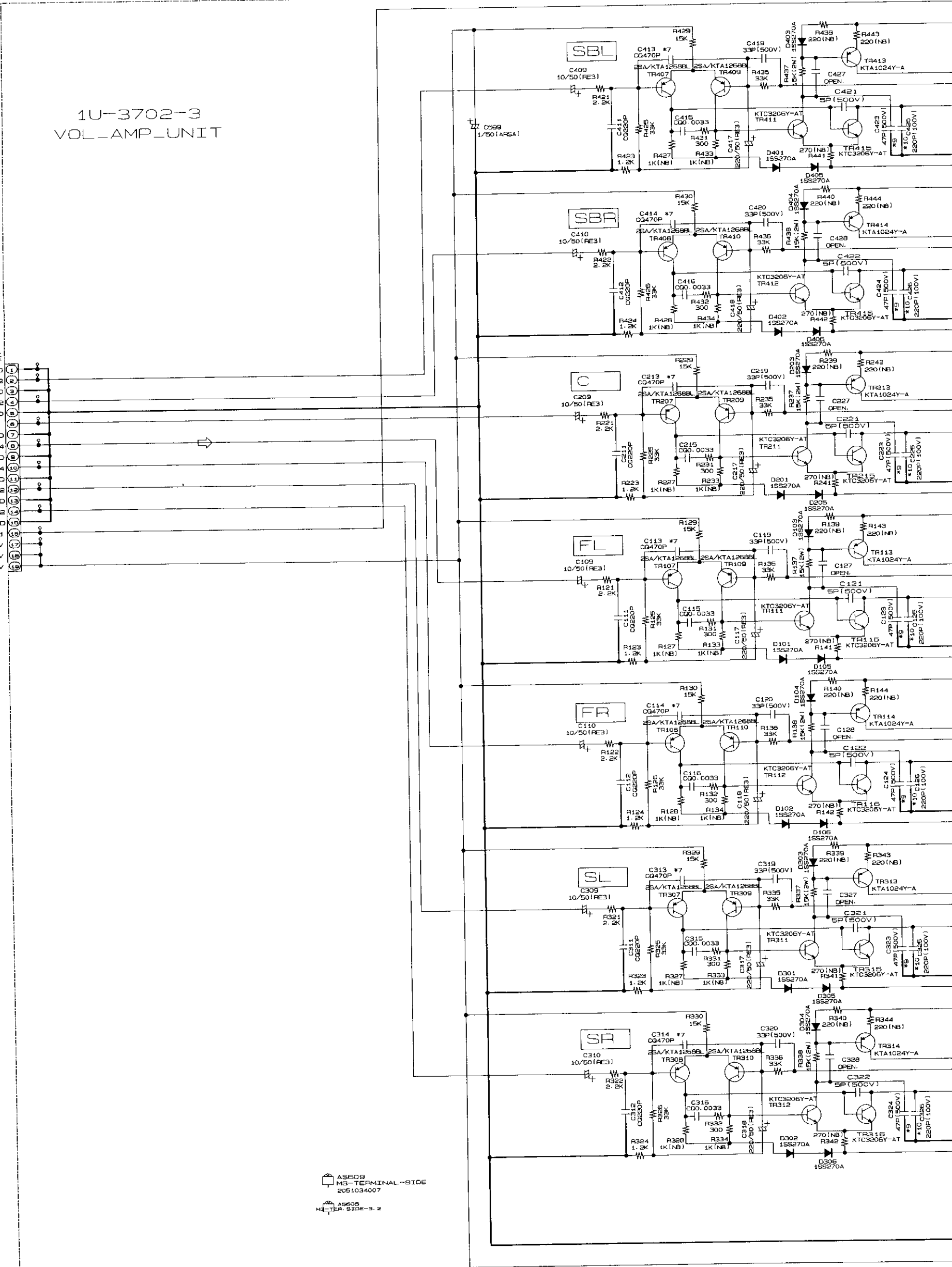
SCHMATIC DIAGRAMS (8/31)
 1U-3702-2 CONNECT UNIT
 1U-3702-4 PRE CONNECT UNIT

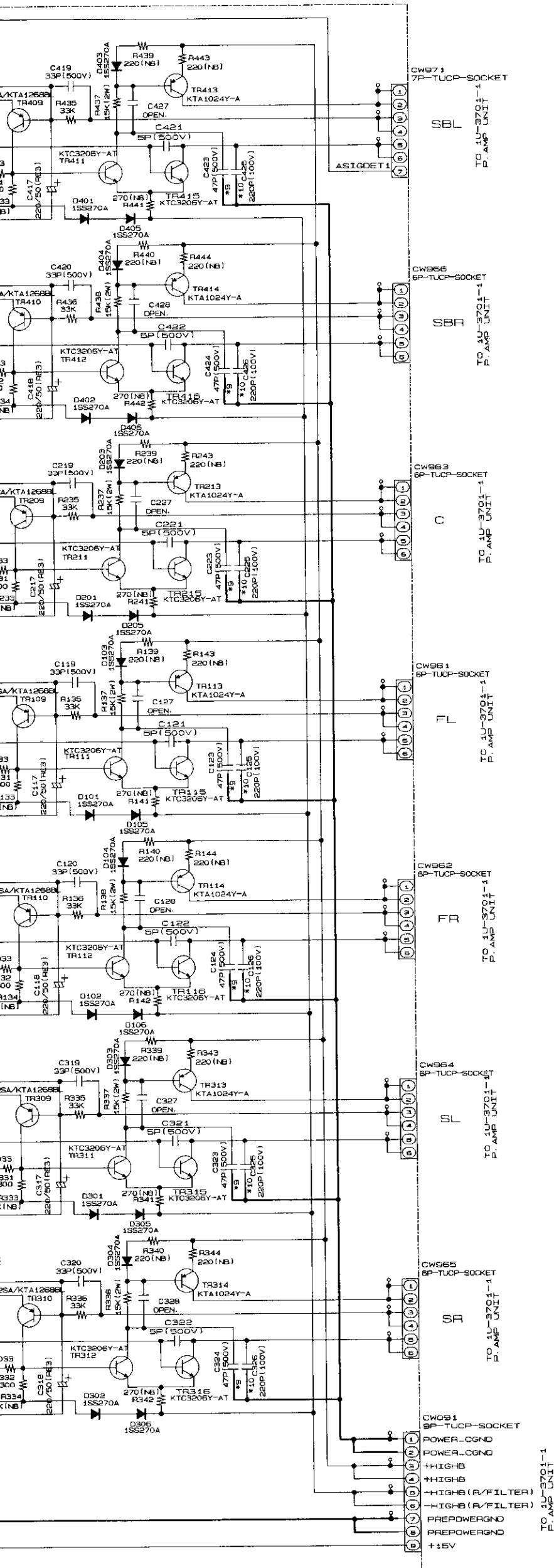
1U-3702-3
VOL_AMP_UNIT



AS609
MS-TERMINAL-SIDE
2051034007

AS605
MS-TER-SIDE-3-2

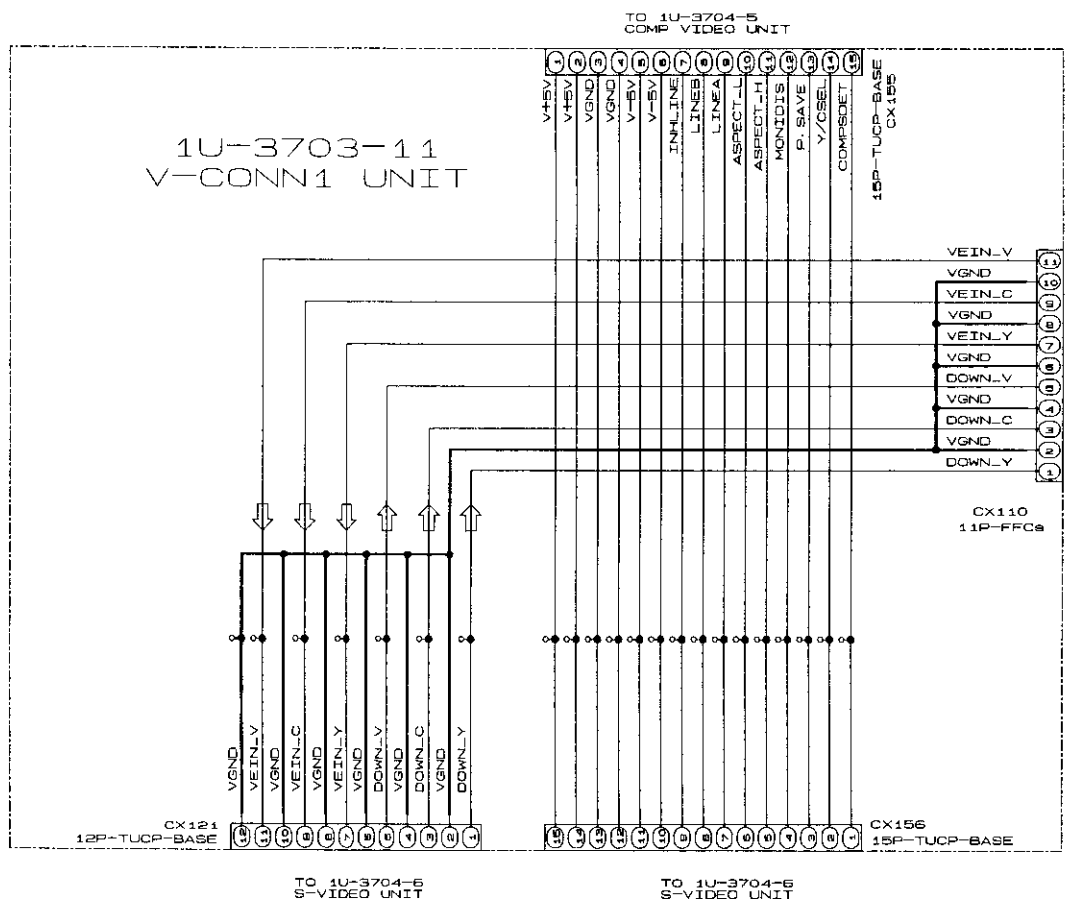
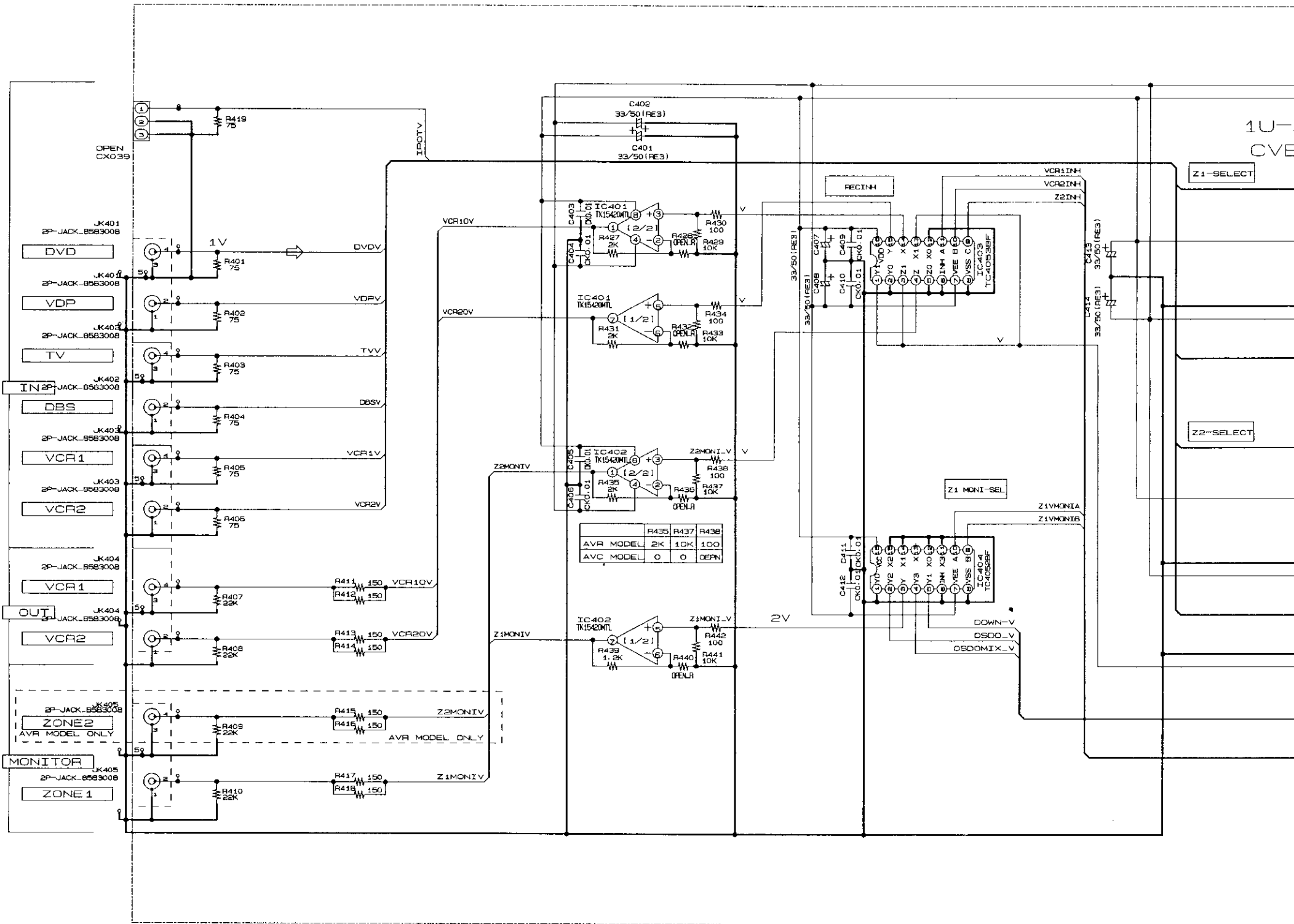




SCHEMATIC DIAGRAMS (9/31)
1U-3702-3 VOLAMP UNIT

SCHEMATIC DIAGRAMS (10/31)

1 2 3 4 5 6



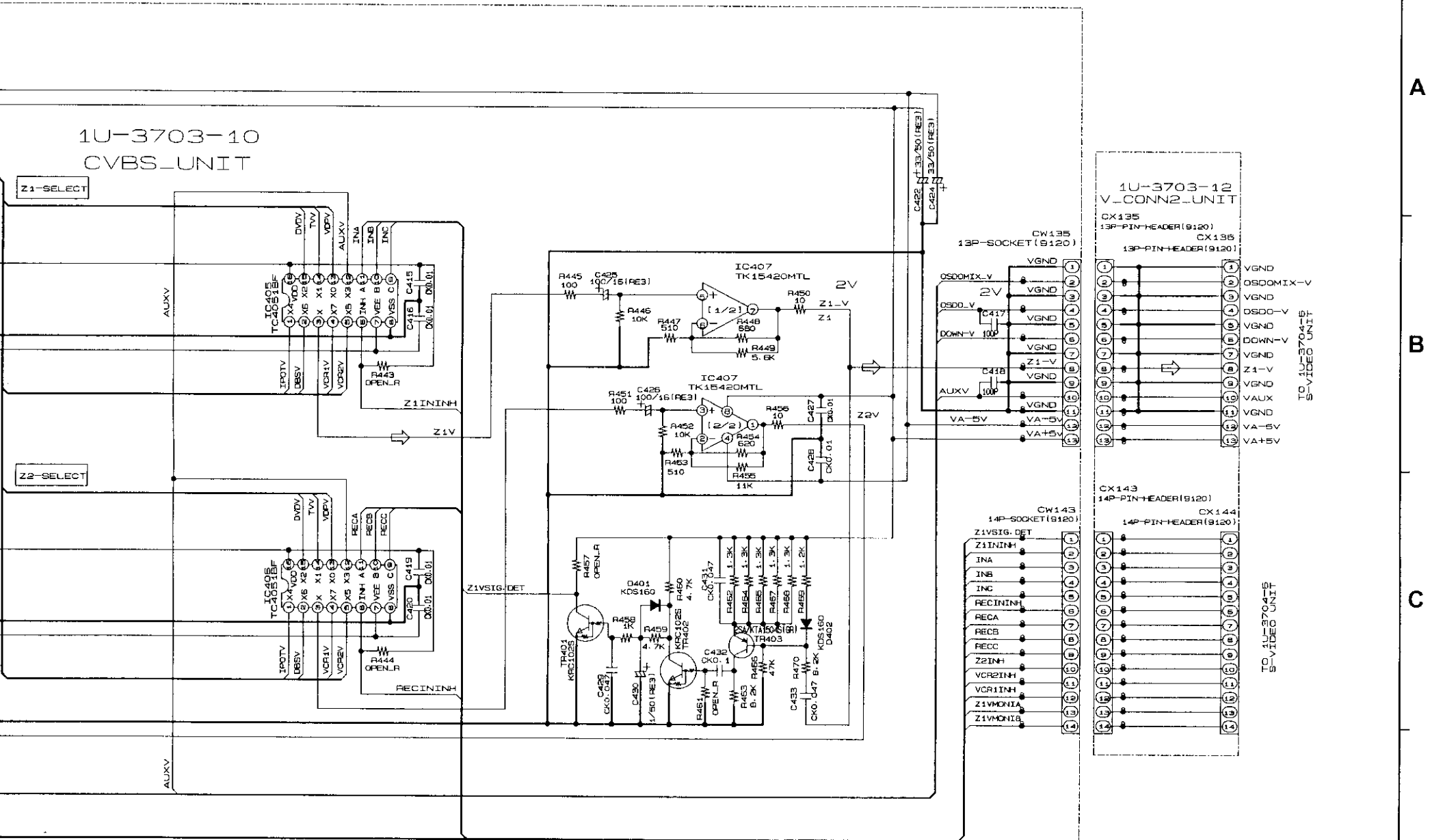
7

8

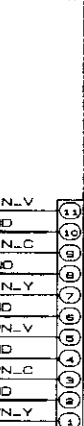
9

10

11



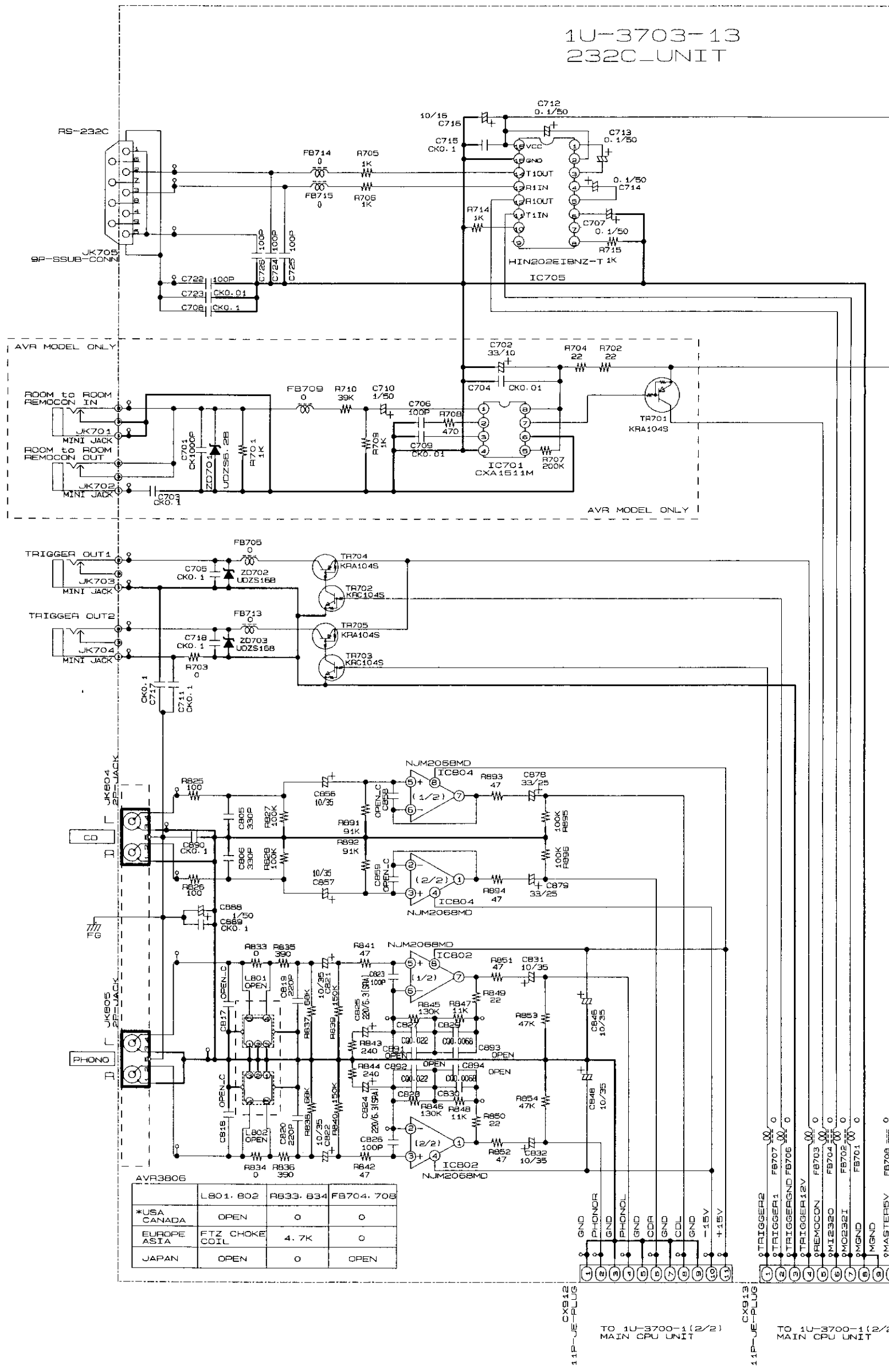
A
B
C
D
E
F
G
H



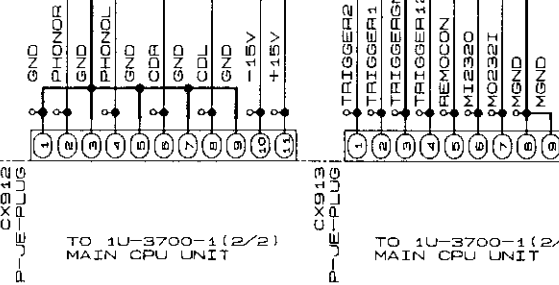
CX110
P-FFCs

SCHEMATIC DIAGRAMS (10/31)
1U-3703-10 CVBS UNIT
1U-3703-11 V-CONN1 UNIT
1U-3703-12 V-CONN2 UNIT

1U-3703-13
232C UNIT



| AVR3806 | L801, 802 | R833, 834 | FB704, 708 |
|----------------|-------------------|-----------|------------|
| *USA CANADA | OPEN | 0 | 0 |
| EUROPE ASIA | FTZ CHOKE COIL | 4.7K | 0 |
| JAPAN | OPEN | 0 | OPEN |



6

7

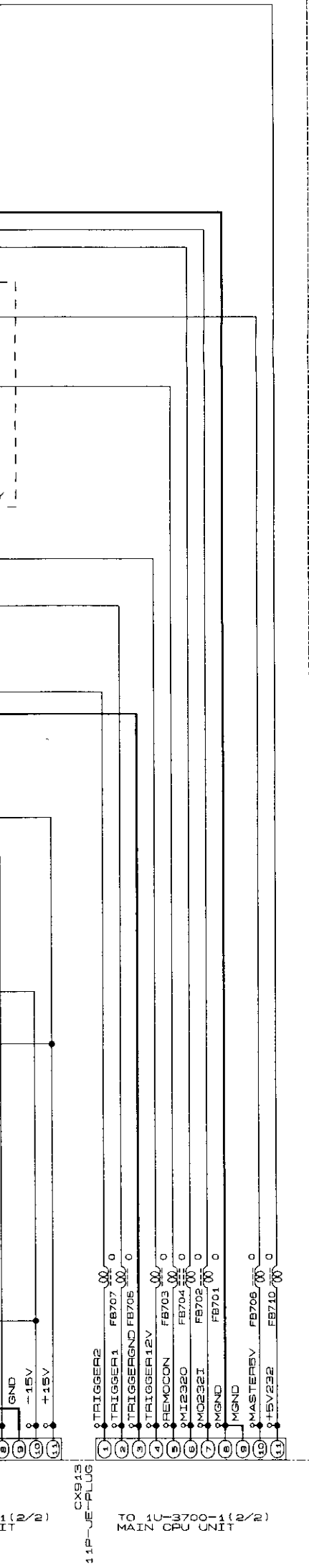
8

9

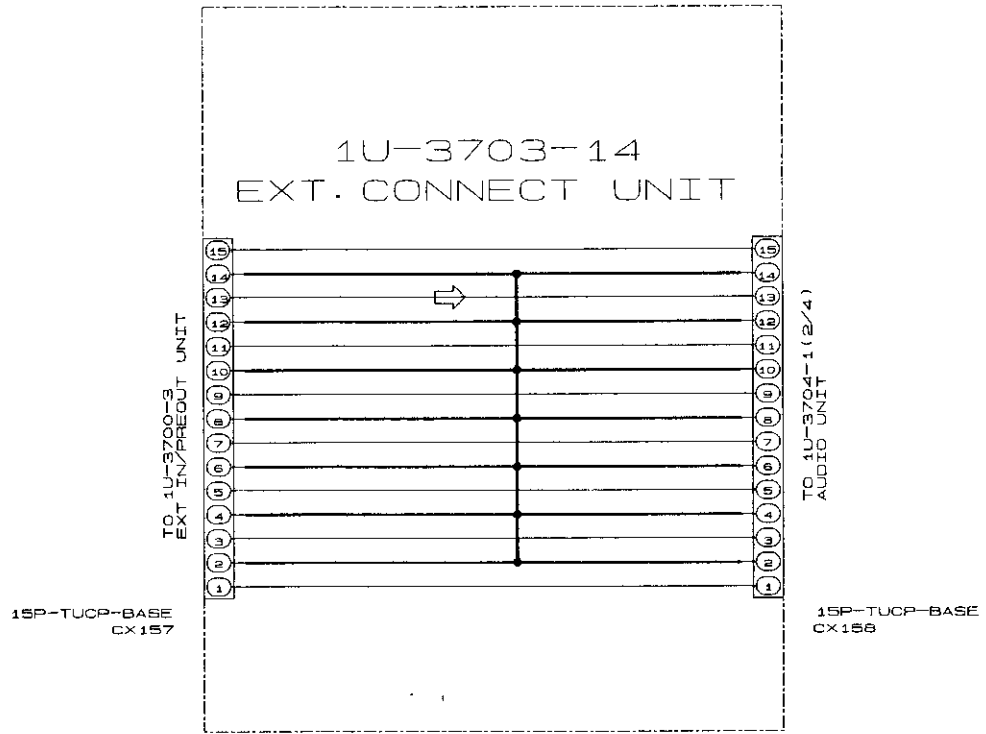
10

11

13
UNIT



1U-3703-14
EXT. CONNECT UNIT

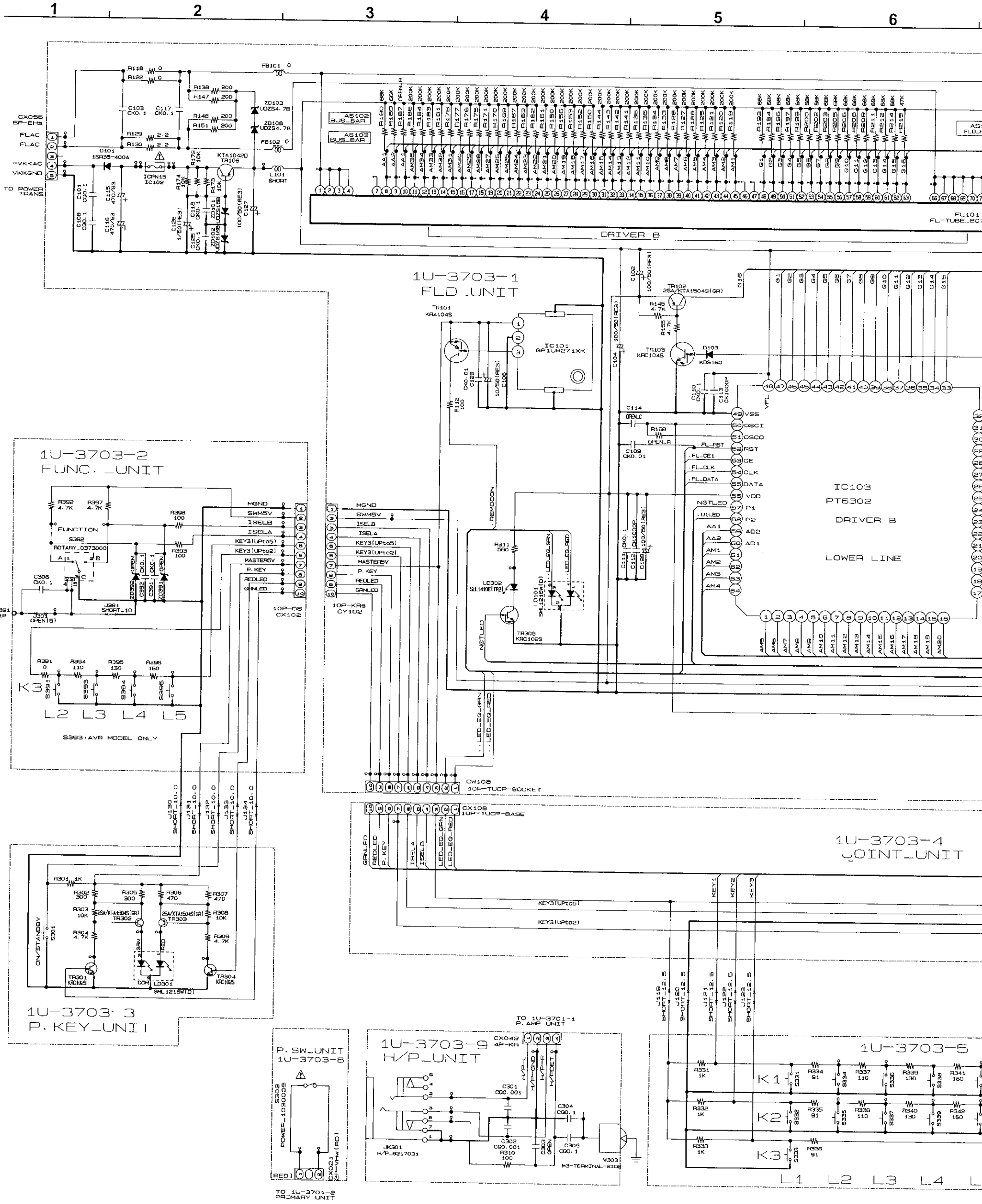


SCHEMATIC DIAGRAMS (11/31)

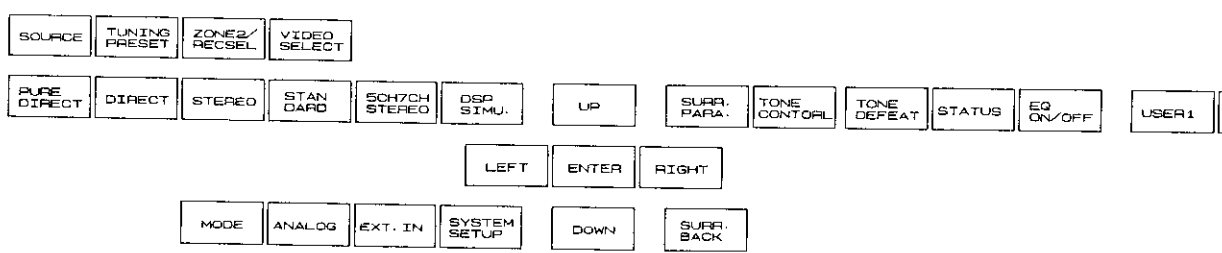
1U-3703-13 232C UNIT
1U-3703-14 EXT. CONNECT UNIT

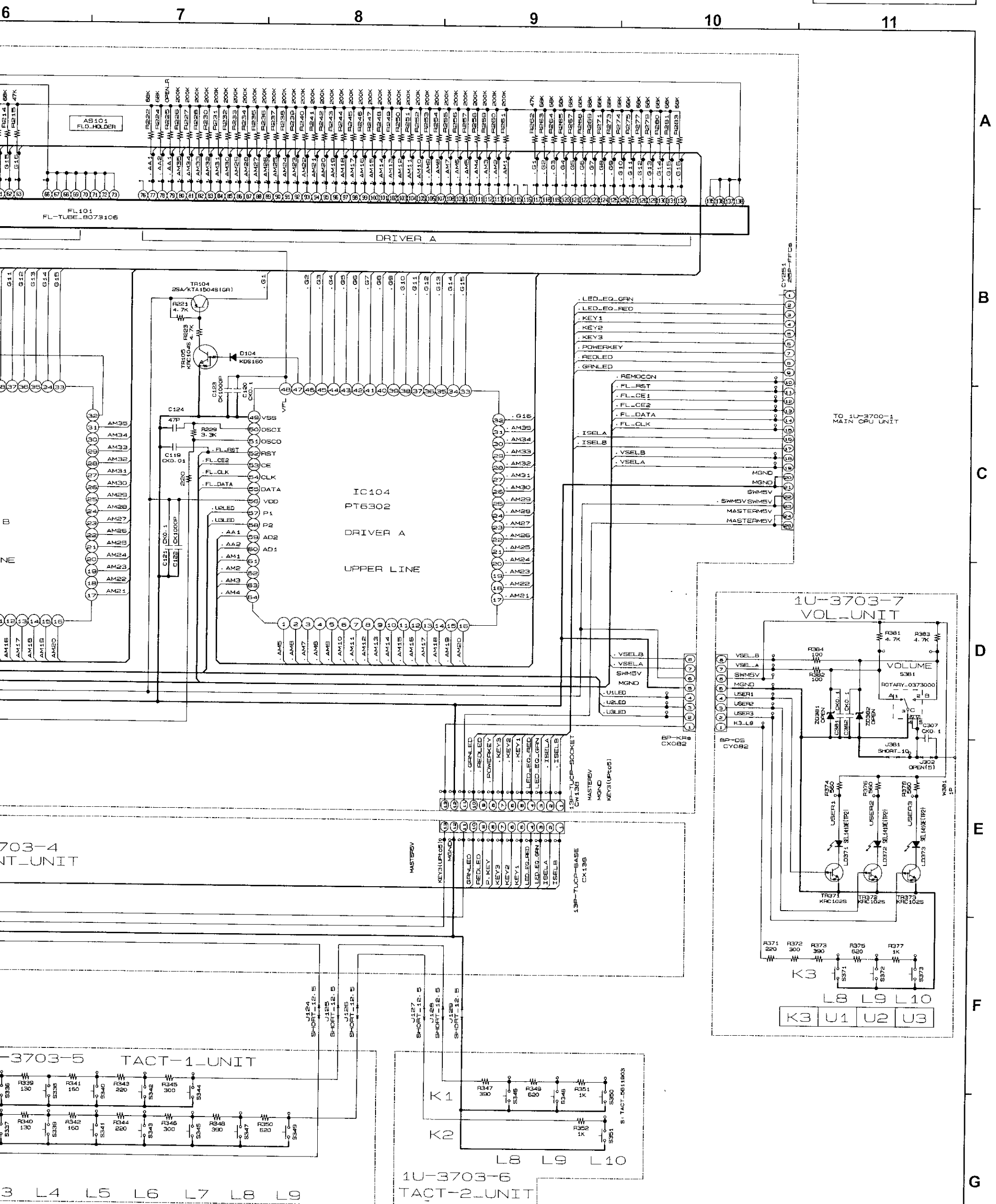
A
B
C
D
E
F
G
H

SCHEMATIC DIAGRAMS (12/31)



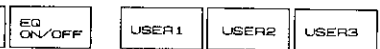
| | | | | | | | | | | |
|----|-------------|-----------|---------------|----------------|--------------|------|-------------|--------------|-------------|-----------|
| | L1 | L2 | L3 | L4 | L5 | L6 | L7 | L8 | L9 | L10 |
| K1 | PURE DIRECT | STAN DARD | SCH7CH STEREO | DSP SIMU. | LEFT | UP | SURR. PARA. | TONE CONTORL | TONE DEFEAT | STATUS |
| K2 | DIRECT | MODE | ANALOG | EXT. IN | SYSTEM SETUP | DOWN | ENTER | RIGHT | SURR. BACK | EQ ON/OFF |
| K3 | STEREO | SOURCE | TUNING PRESET | ZONE2/ RECSSEL | --- | --- | --- | --- | USER1 | USER2 |





SCHEMATIC DIAGRAMS (12/31)

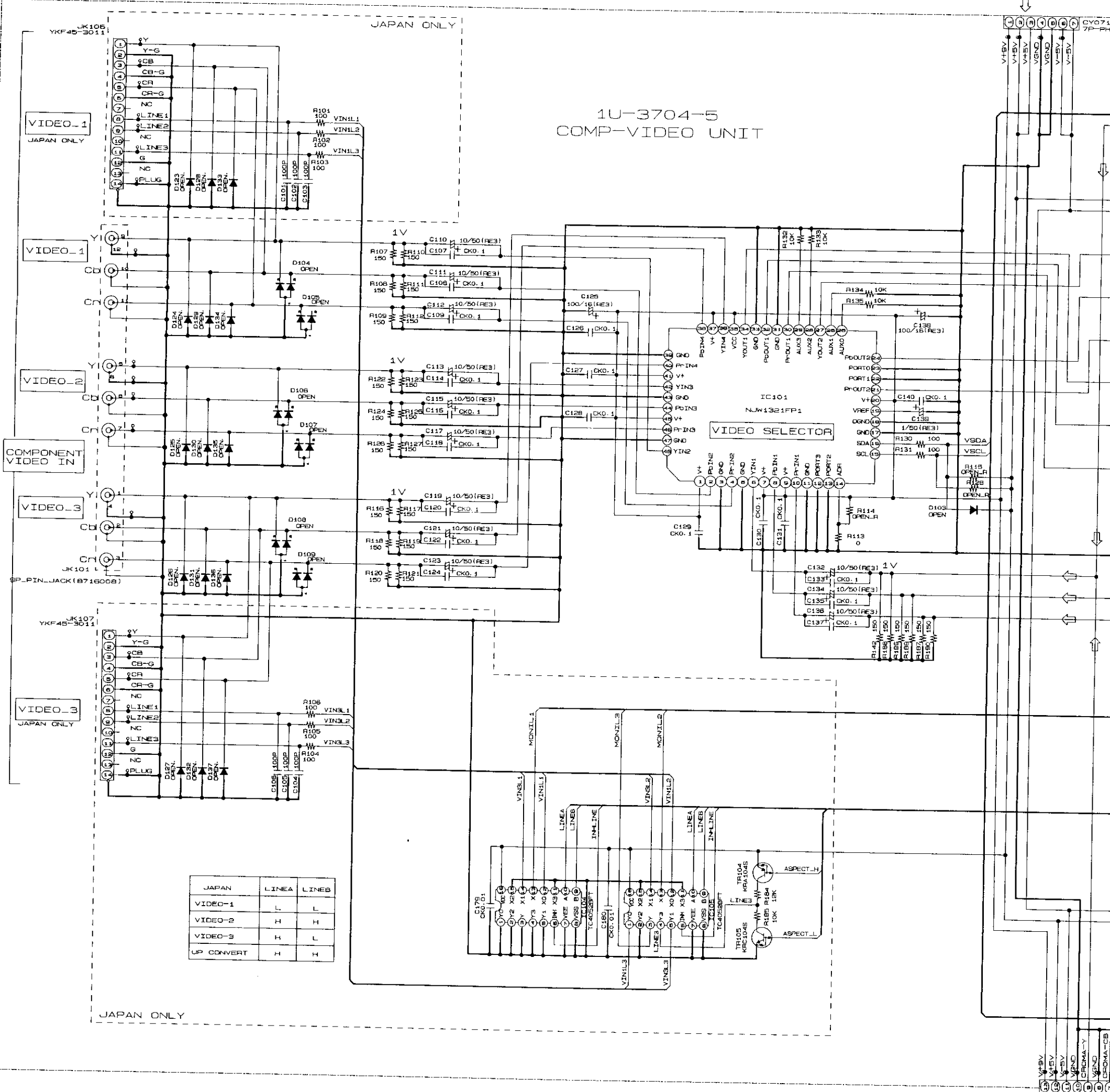
- 1U-3703-1 FLD UNIT
- 1U-3703-2 FUNC. UNIT
- 1U-3703-3 P.KEY UNIT
- 1U-3703-4 JOINT UNIT
- 1U-3703-5 TACT-1 UNIT
- 1U-3703-6 TACT-2 UNIT
- 1U-3703-7 VOL UNIT
- 1U-3703-8 P.SW UNIT
- 1U-3703-9 H/P UNIT



A
B
C
D
E
F
G
H

TO 1U-3702-1
P. SUPPLY UNIT

1U-3704-5
COMP-VIDEO UNIT

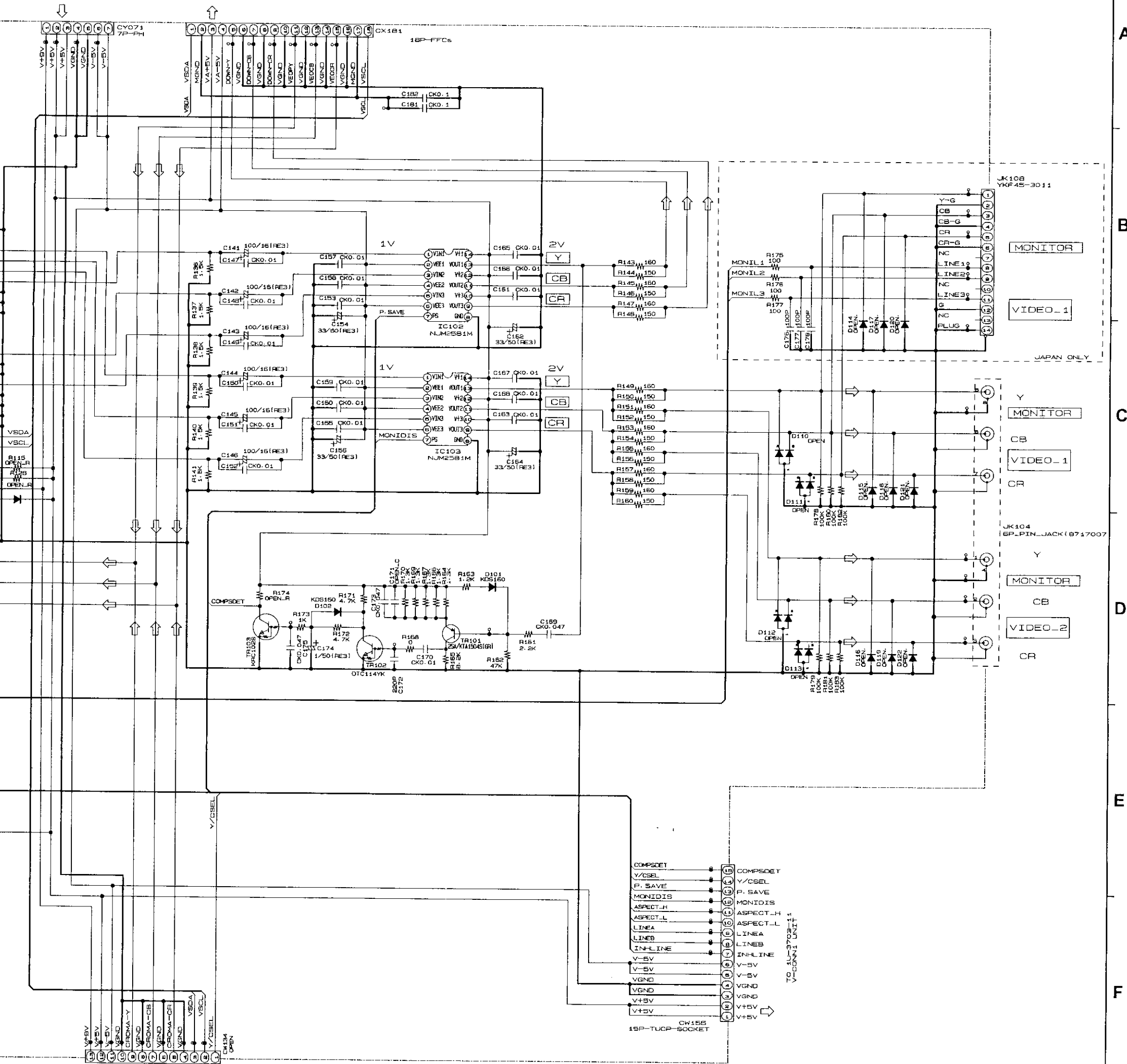


| JAPAN | LINEA | LINEB |
|------------|-------|-------|
| VIDEO-1 | L | L |
| VIDEO-2 | H | H |
| VIDEO-3 | H | L |
| UP CONVERT | H | H |

JAPAN ONLY

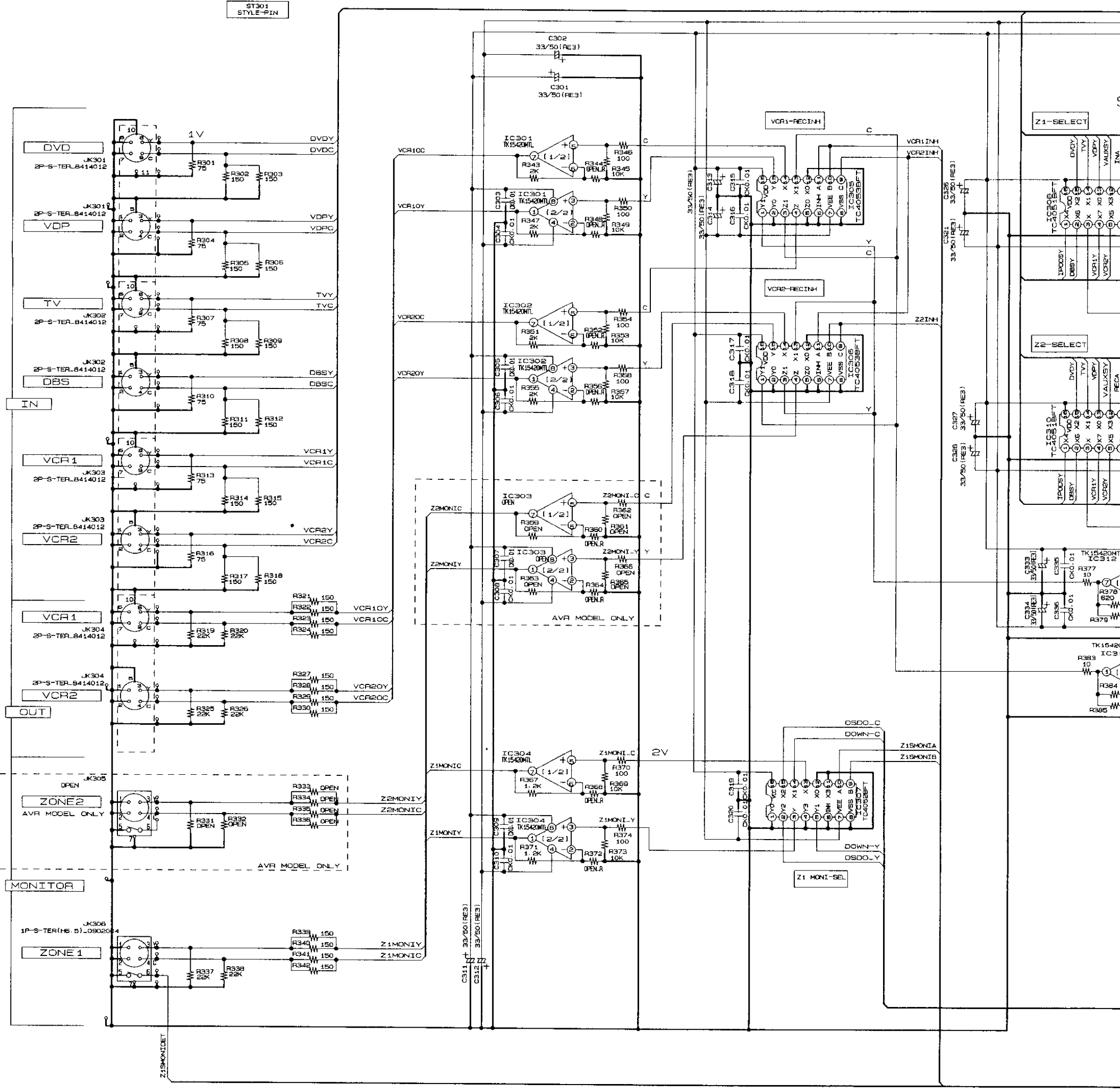
TO 1U-3702-1
P. SUPPLY UNIT

TO 1U-3705(10/11)
DIGITAL UNIT



COMPONENT VIDEO

ST301
STYLE-PIN



7

8

9

10

11

A

B

C

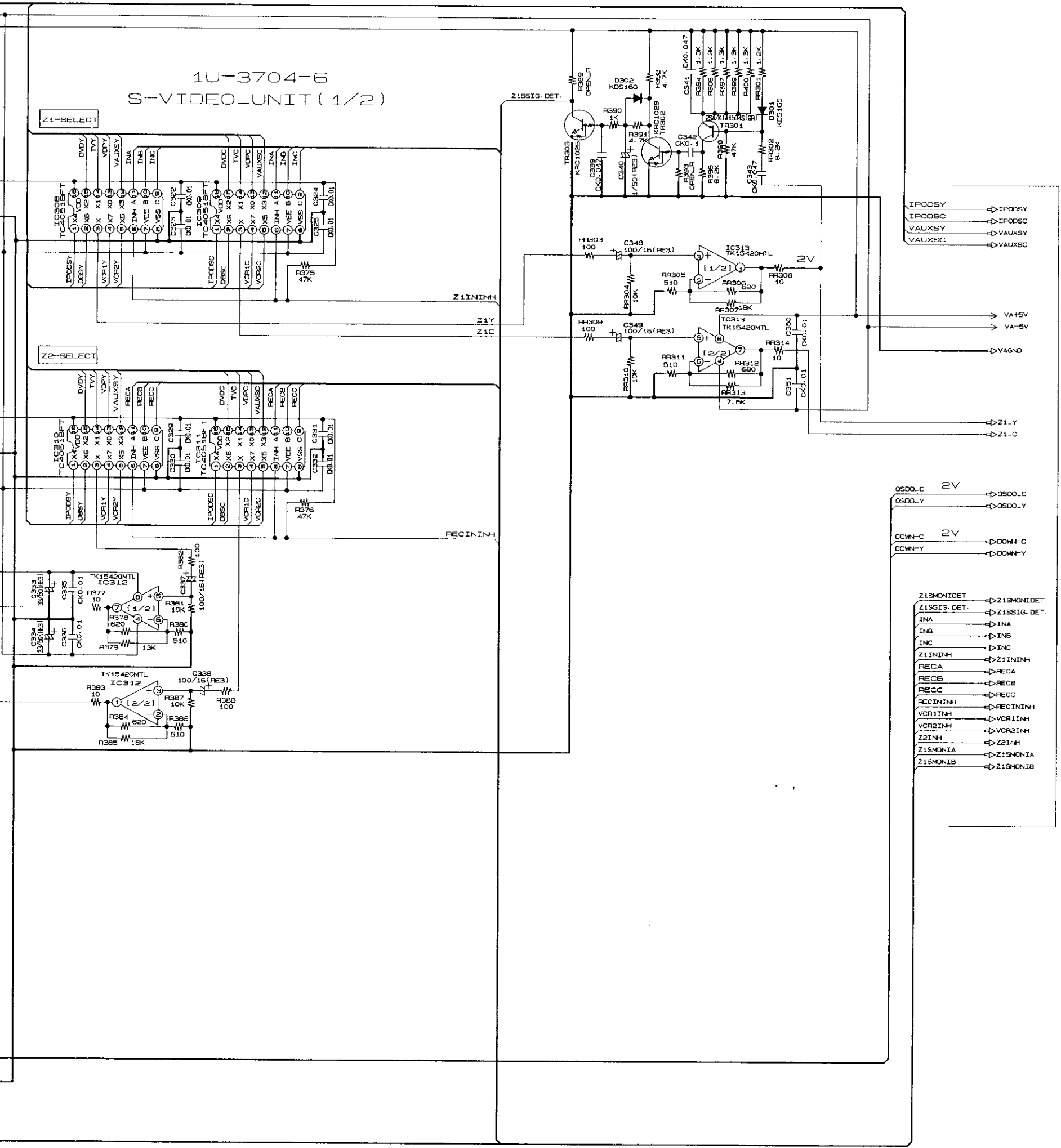
D

E

F

G

H

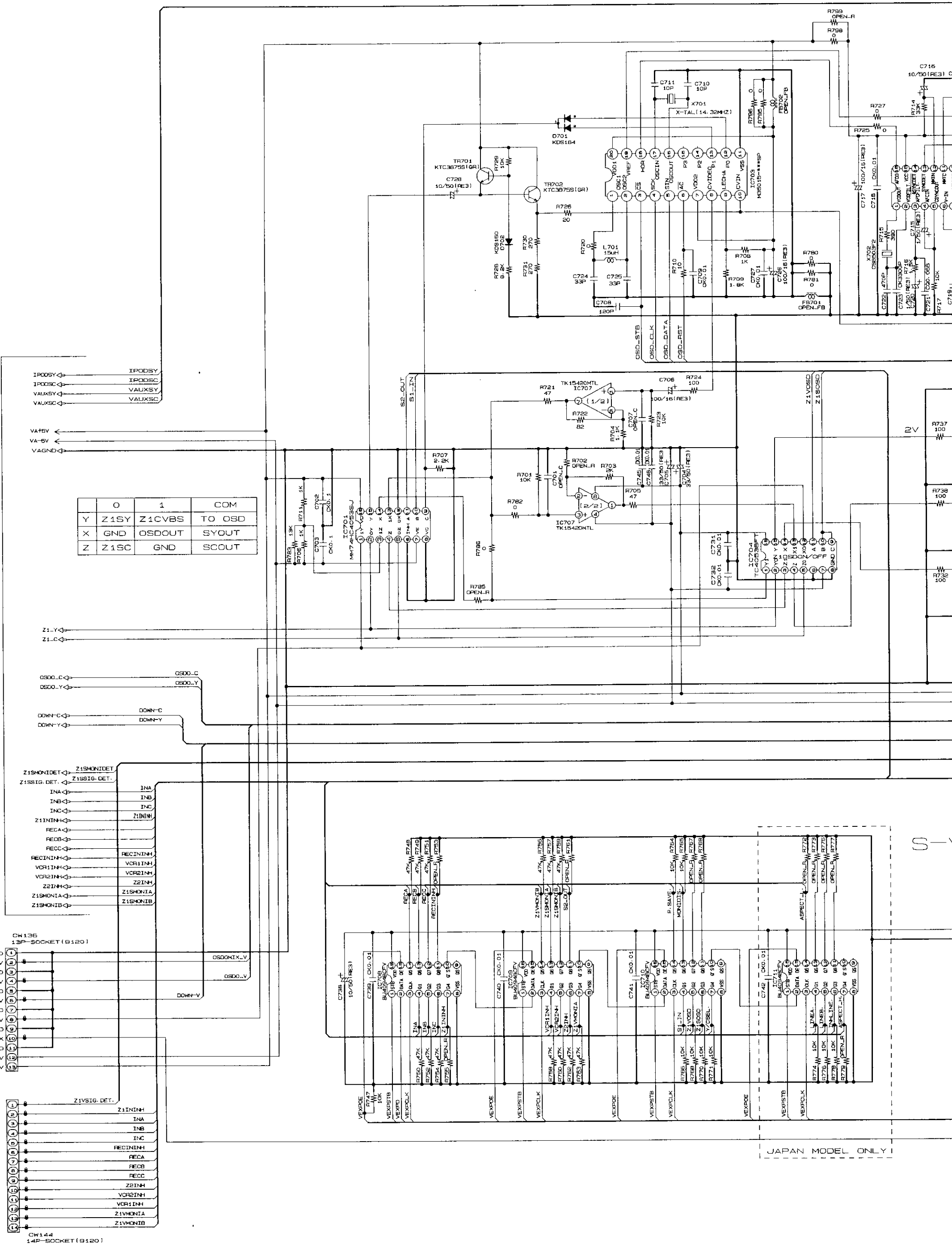


TO 1U-3704-6(2/2)

SCHEMATIC DIAGRAMS (14/31)
1U-3704-6 S-VIDEO UNIT(1/2)

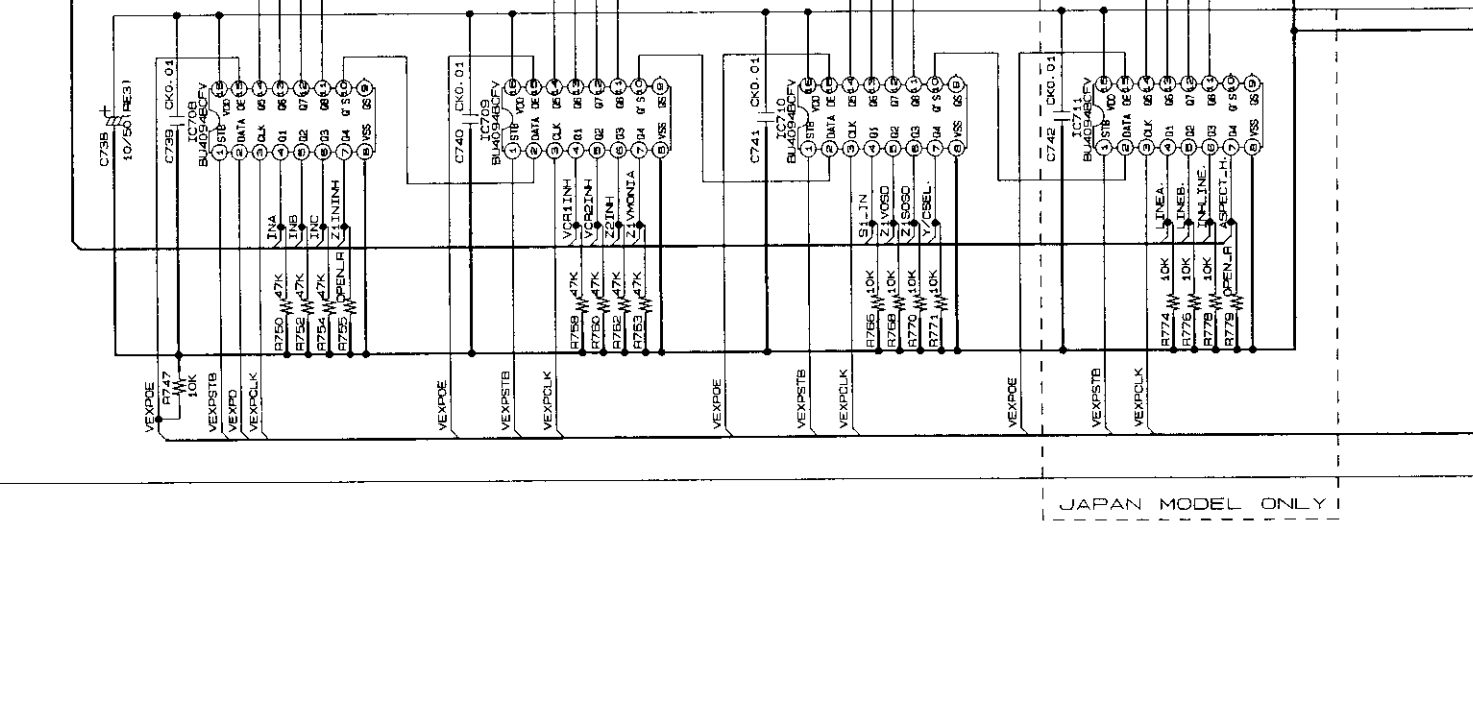
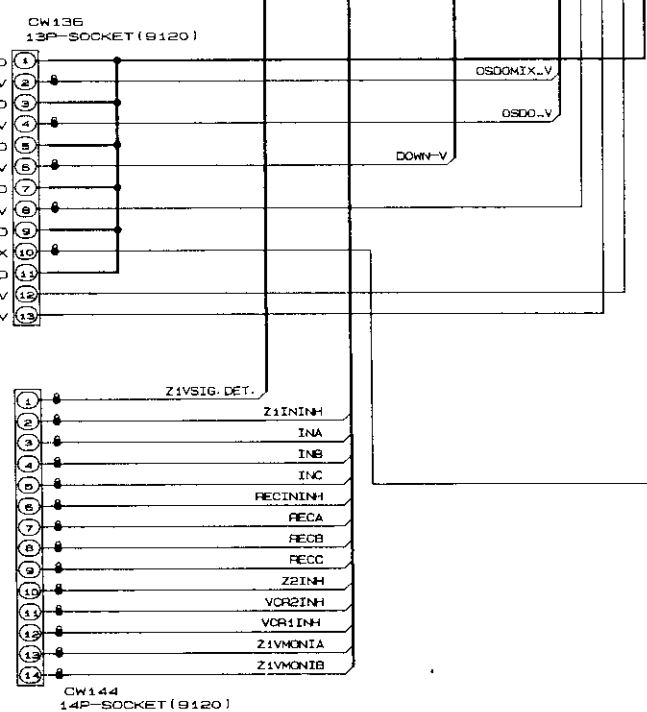
TO 1U-3704-6 (1/2)

| | 0 | 1 | COM |
|---|------|--------|--------|
| Y | Z1SY | Z1CVBS | TO OSD |
| X | GND | OSDOUT | SYOUT |
| Z | Z1SC | GND | SCOUT |

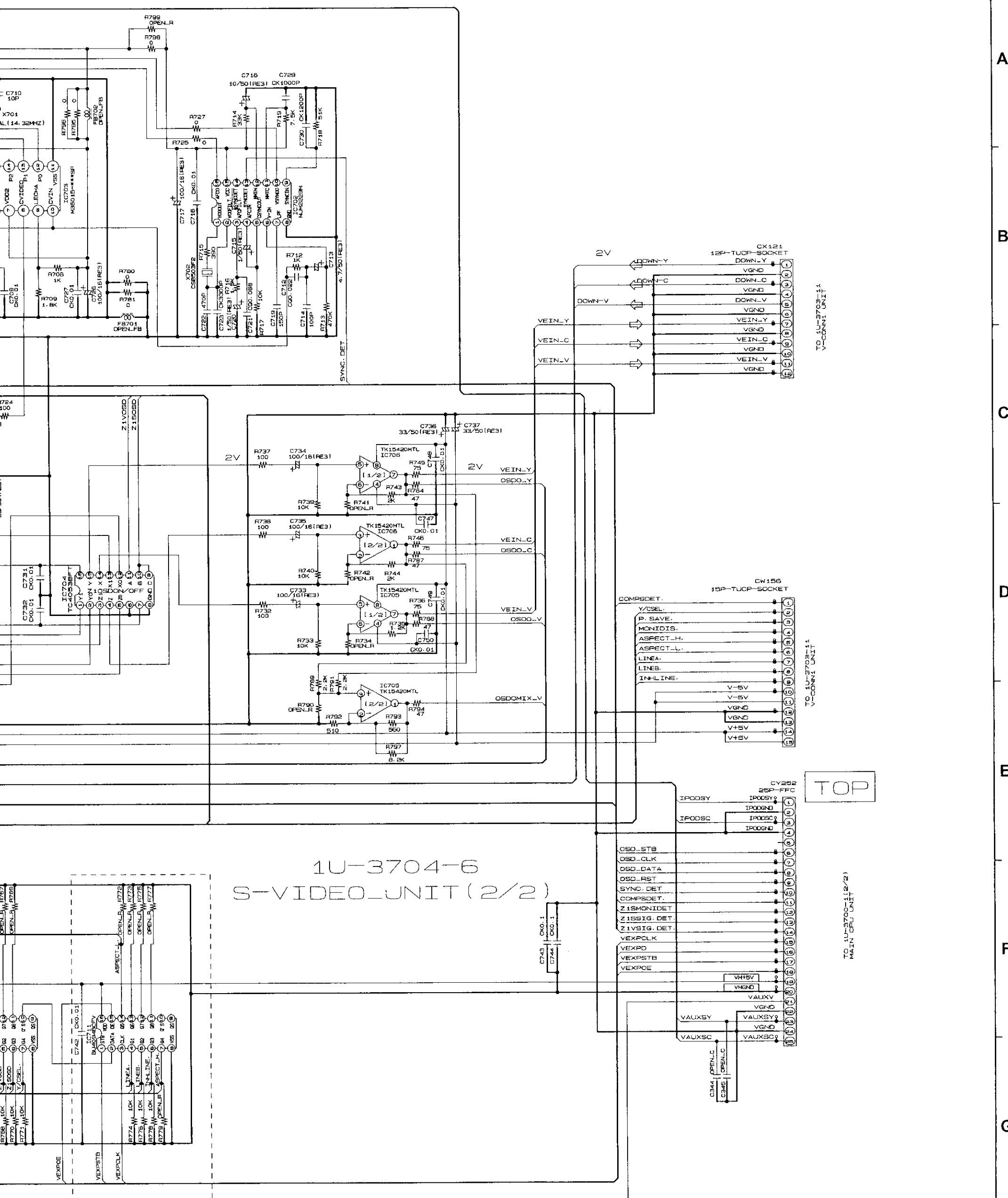


JAPAN MODEL ONLY

TO 1U-3703-12 V-CORNER UNIT



6 7 8 9 10 11



1U-3704-6
S-VIDEO UNIT (2/2)

TOP

JAPAN MODEL ONLY

A
B
C
D
E
F
G
H

SCHEMATIC DIAGRAMS (16/31)

1

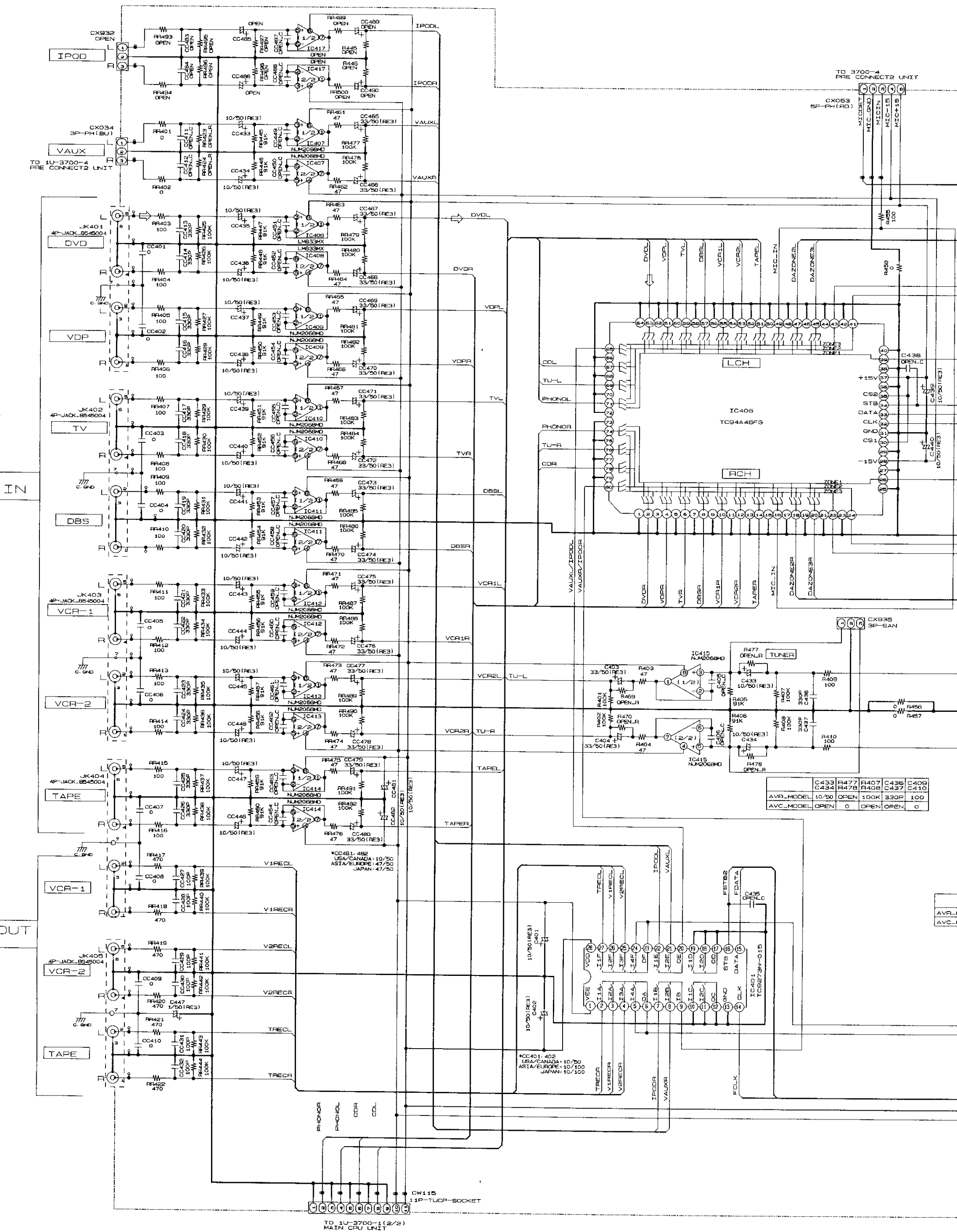
2

3

4

5

6



| | | | | |
|-----------|-------|------|------|------|
| C433 | R477 | R407 | C436 | C409 |
| C434 | R478 | R408 | C437 | C410 |
| AVR_MODEL | 10/50 | OPEN | 100K | 330P |
| AVC_MODEL | OPEN | 0 | OPEN | OPEN |

*CC481, 482
USA/CANADA: 10/50
ASIA/EUROPE: 47/30
JAPAN: 47/50

*CC401, 402
USA/CANADA: 10/50
ASIA/EUROPE: 10/100
JAPAN: 10/100

TO 1U-3700-1(2/2)
MAIN CPU UNIT

TO 3700-4
PRE CONNECT2 UNIT

TO 1U-3700-4
PRE CONNECT2 UNIT

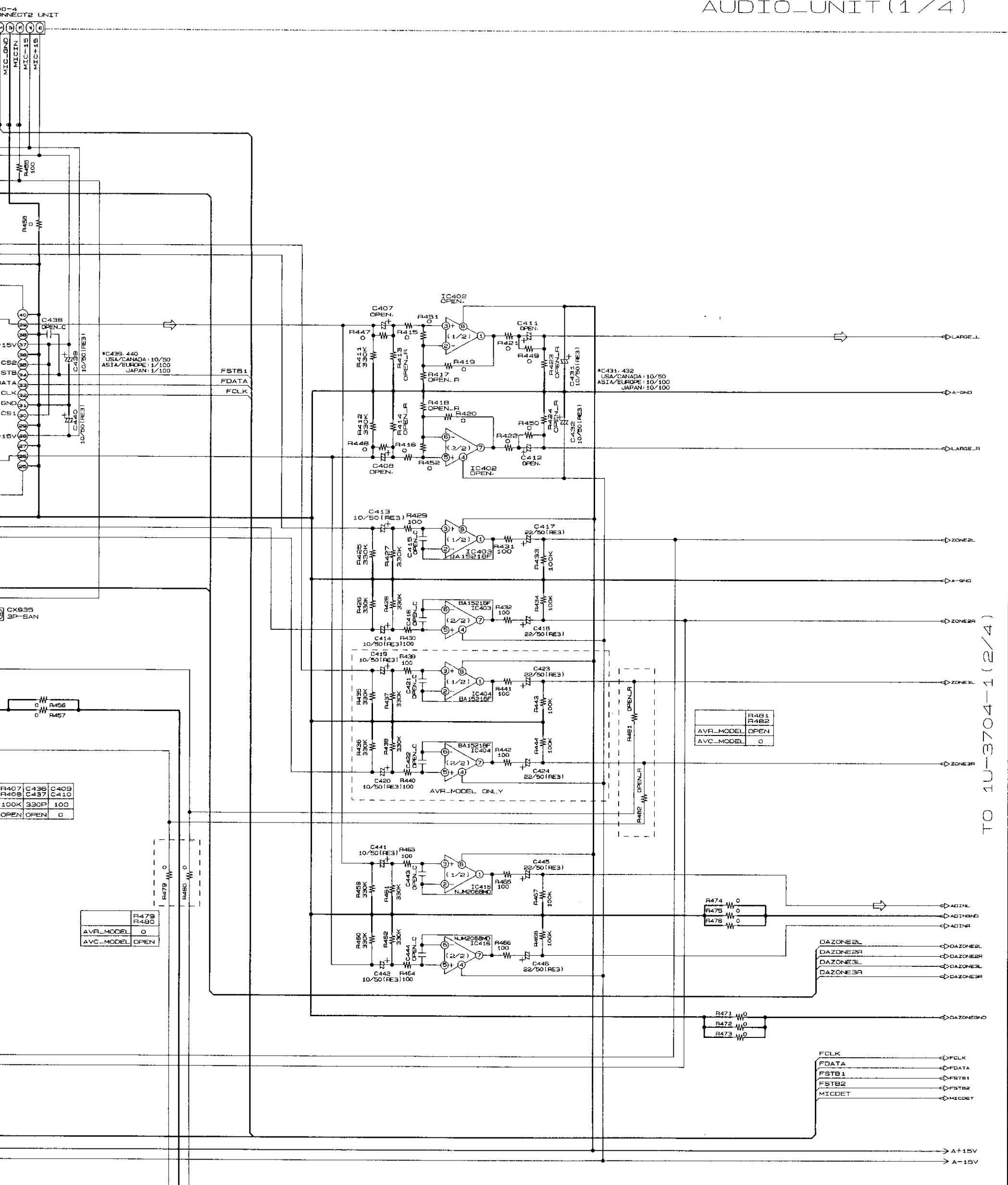
AVR-MO

AVC-MO

6 7 8 9 10 11

1U-3704-1 (1/4)
AUDIO_UNIT (1/4)

A
B
C
D
E
F
G
H



| | |
|-----------|------|
| R481 | OPEN |
| R482 | OPEN |
| AVR-MODEL | OPEN |
| AVC-MODEL | 0 |

| | |
|-----------|------|
| R479 | 0 |
| R480 | 0 |
| AVR-MODEL | 0 |
| AVC-MODEL | OPEN |

| | | |
|------|------|------|
| R407 | C436 | C409 |
| R408 | C437 | C410 |
| 100K | 330P | 100 |
| OPEN | OPEN | 0 |

TO 1U-3700-1 (2/2)
MAIN CPU UNIT

| | | | |
|-------|-----------|-------|-----------|
| ST201 | STYLE-PIN | ST202 | STYLE-PIN |
| ST203 | OPEN | ST204 | OPEN |

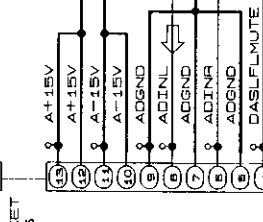
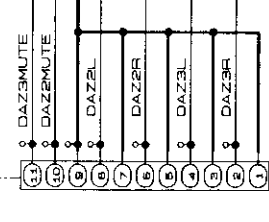
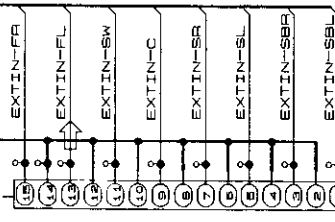
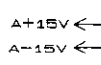
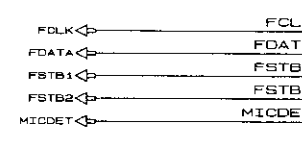
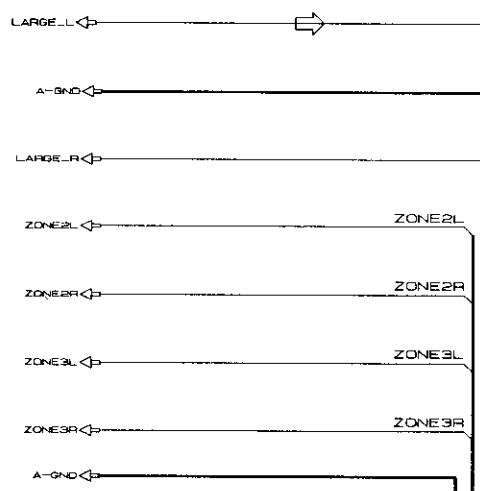
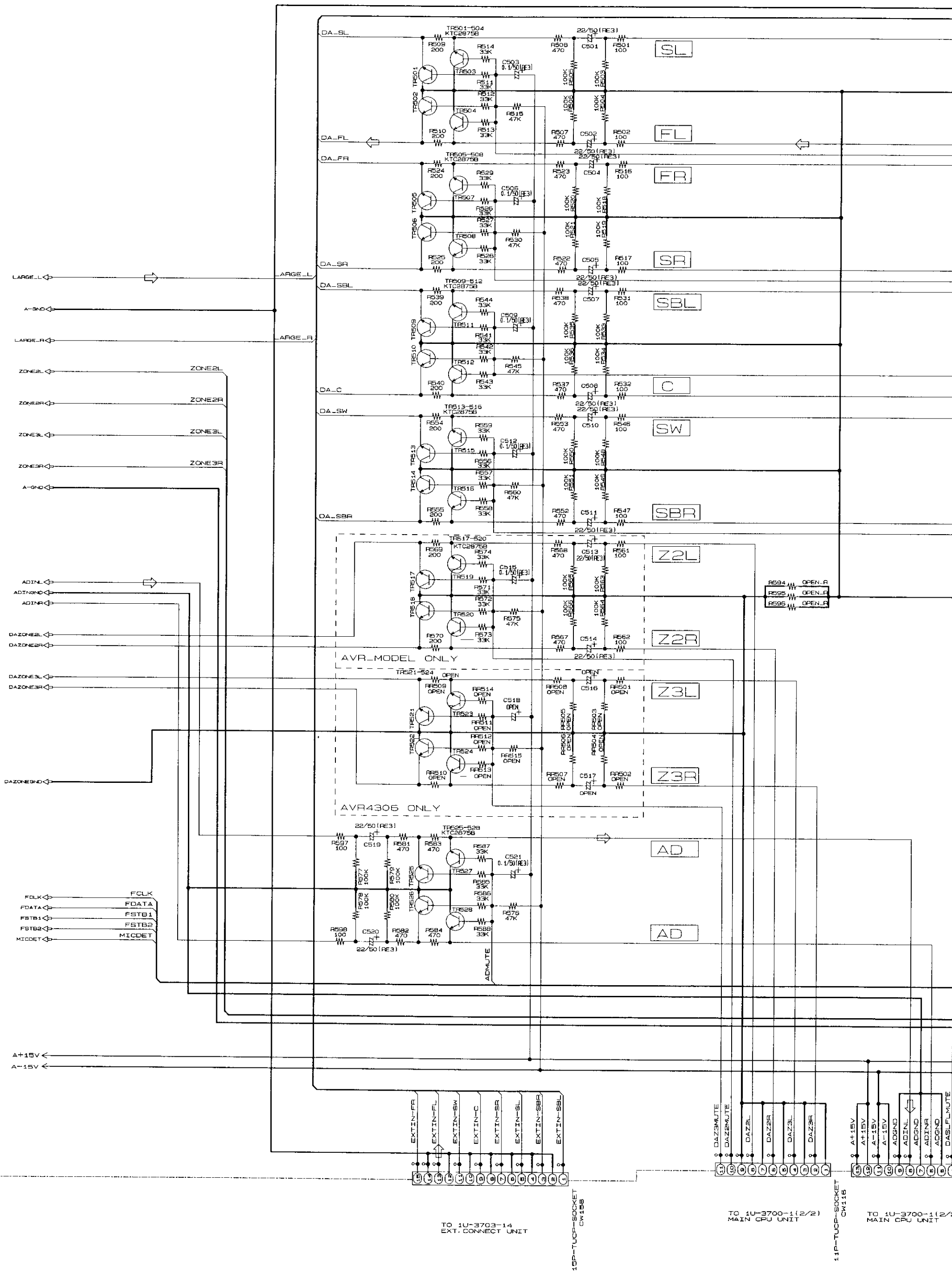
SCHEMATIC DIAGRAMS (16/31)
1U-3704-1.AUDIO UNIT(1/4)

TO 1U-3704-1 (2/4)

SCHEMATIC DIAGRAMS (17/31)

1 2 3 4 5 6

TO 1U-3704-1 (1/4)



TO 1U-3703-14 EXT. CONNECT UNIT
TO 1U-3700-1(2/2) MAIN CPU UNIT
TO 1U-3700-1(2/2) MAIN CPU UNIT

6

7

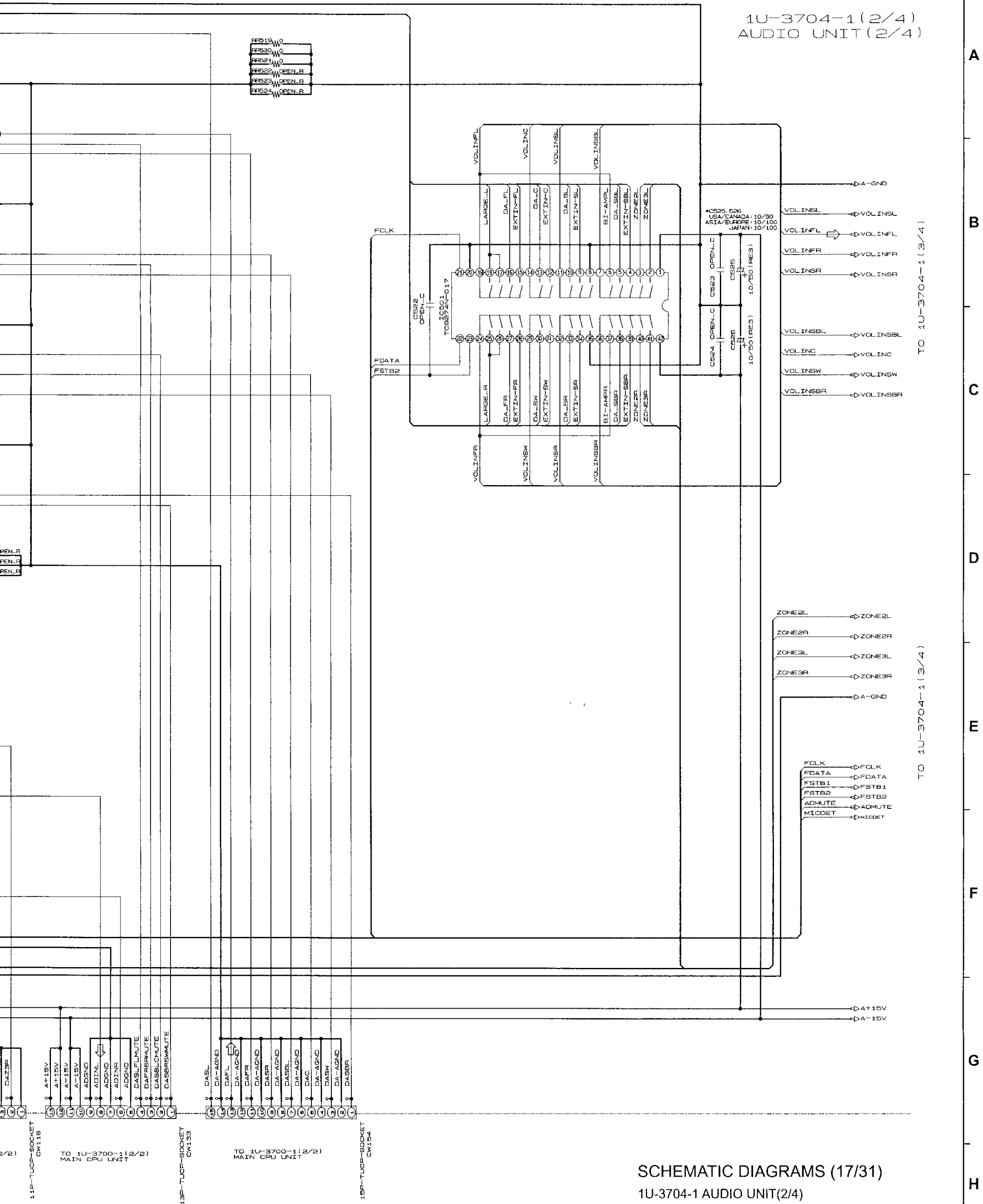
8

9

10

11

1U-3704-1(2/4)
AUDIO UNIT(2/4)



TO 1U-3704-1(3/4)

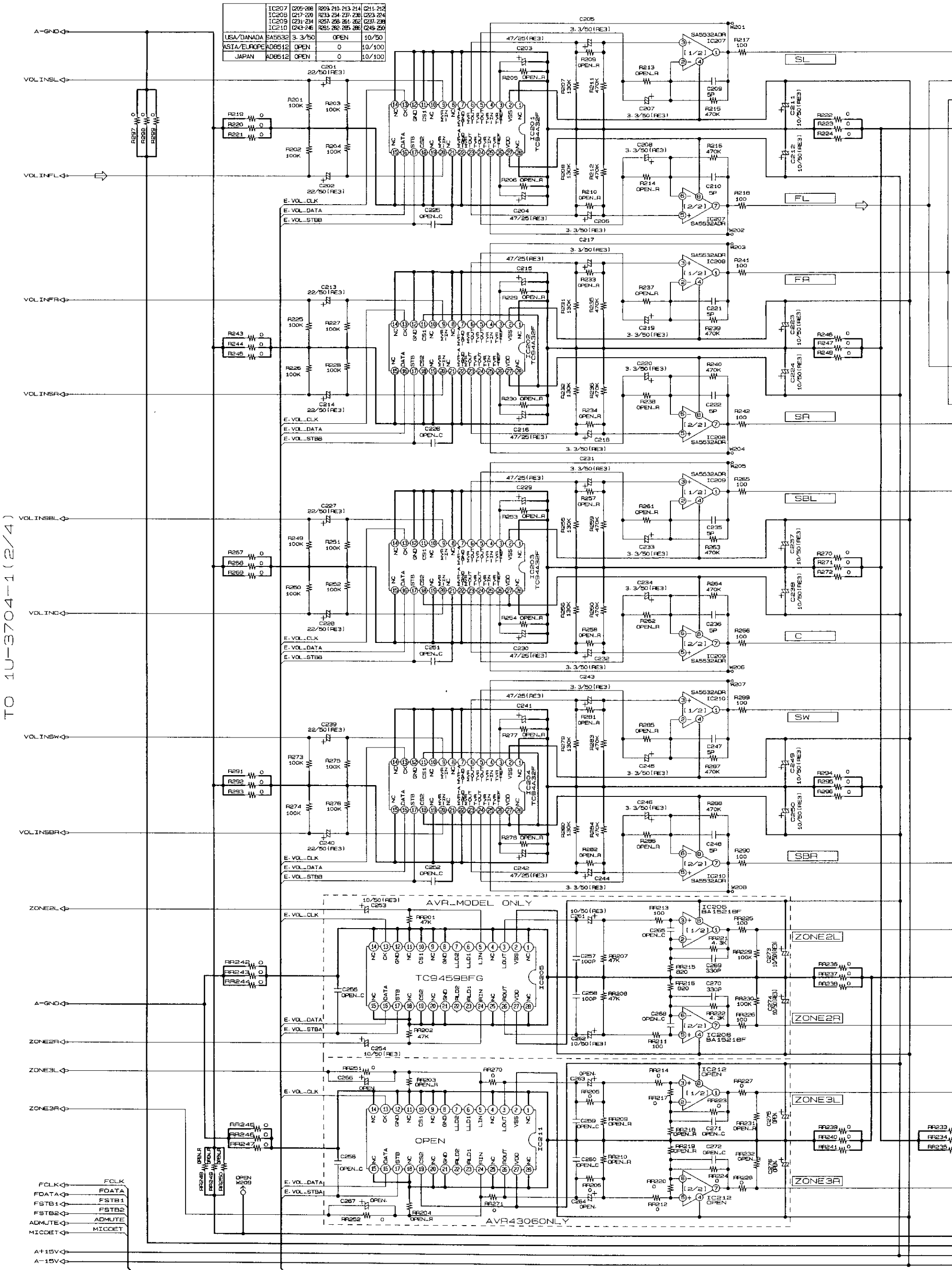
TO 1U-3704-1(3/4)

SCHMATIC DIAGRAMS (17/31)
1U-3704-1 AUDIO UNIT(2/4)

A
B
C
D
E
F
G
H

SCHEMATIC DIAGRAMS (18/31)

1 2 3 4 5 6



6

7

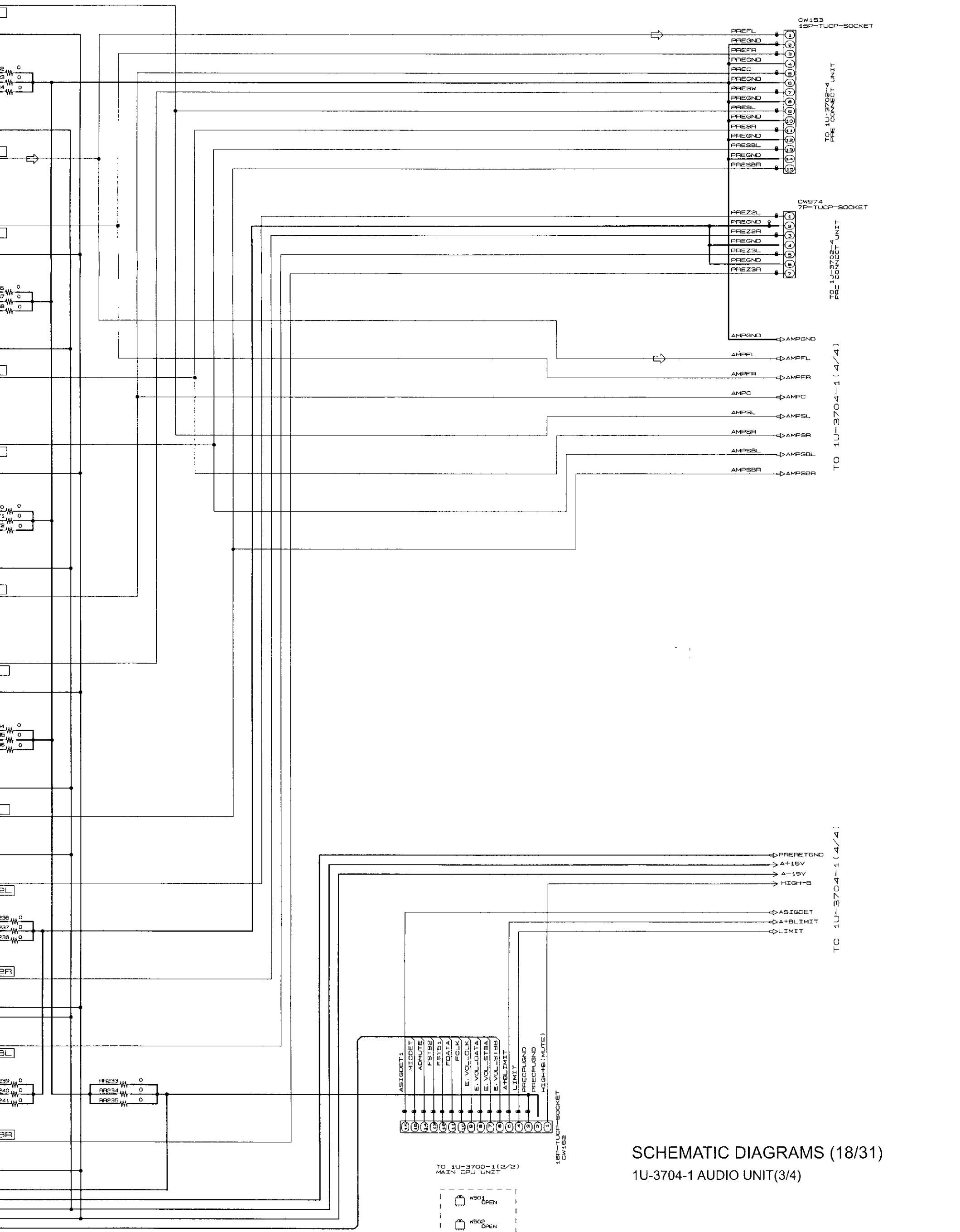
8

9

10

11

1U-3704-1 (3/4) AUDIO UNIT (3/4)



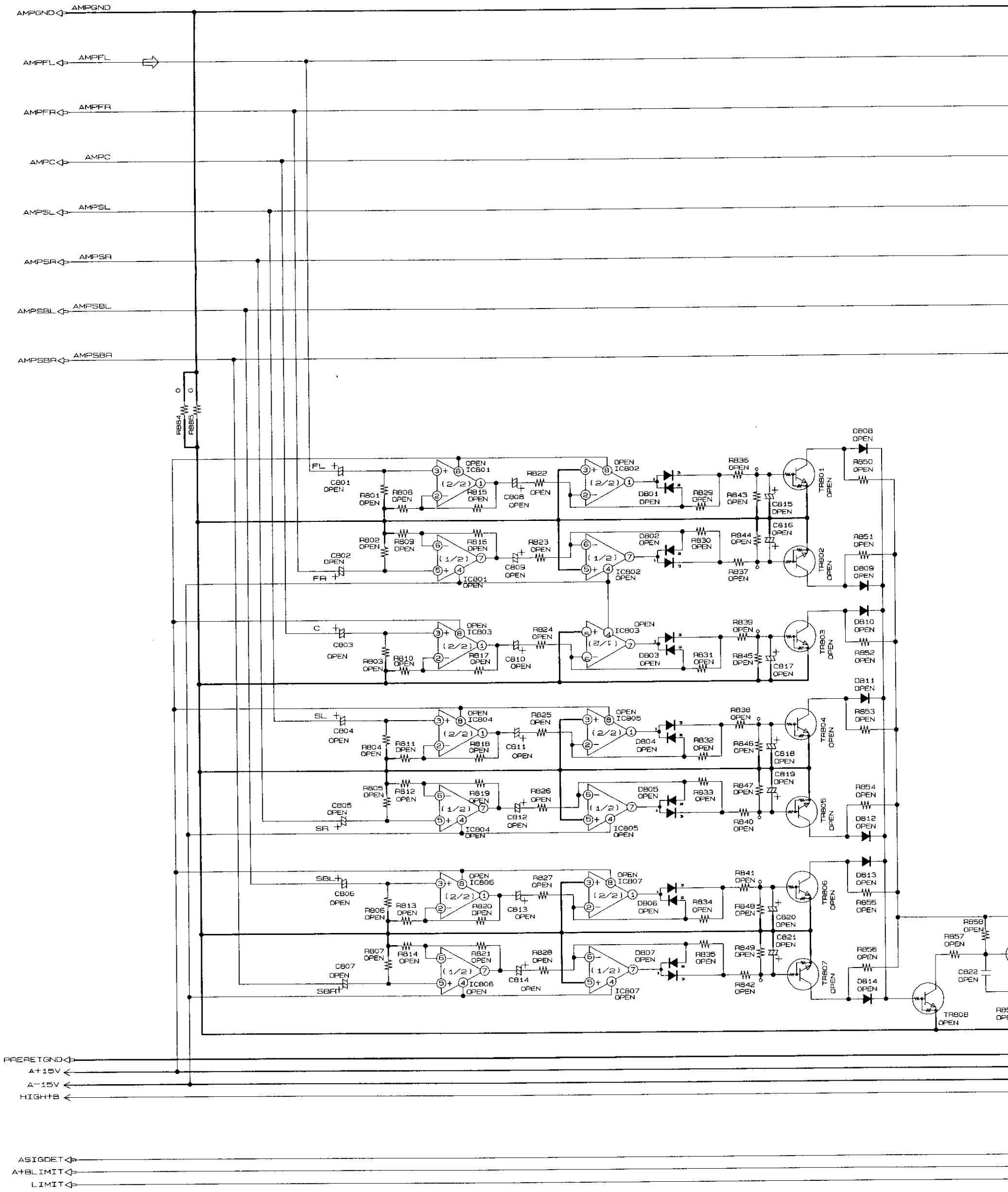
SCHEMATIC DIAGRAMS (18/31)
1U-3704-1 AUDIO UNIT(3/4)

SCHEMATIC DIAGRAMS (19/31)

1 2 3 4 5 6

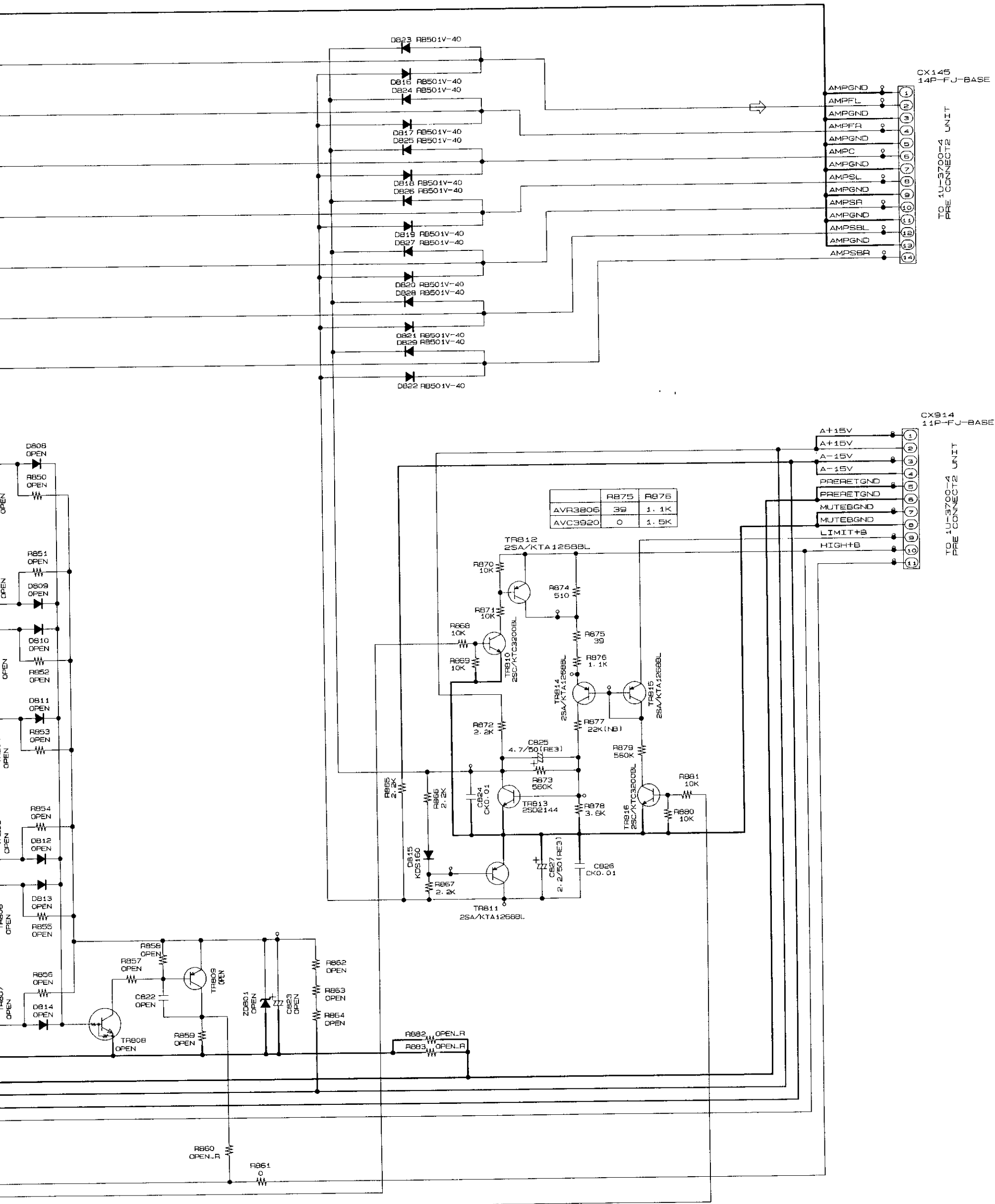
TO 1U-3704-1(3/4)

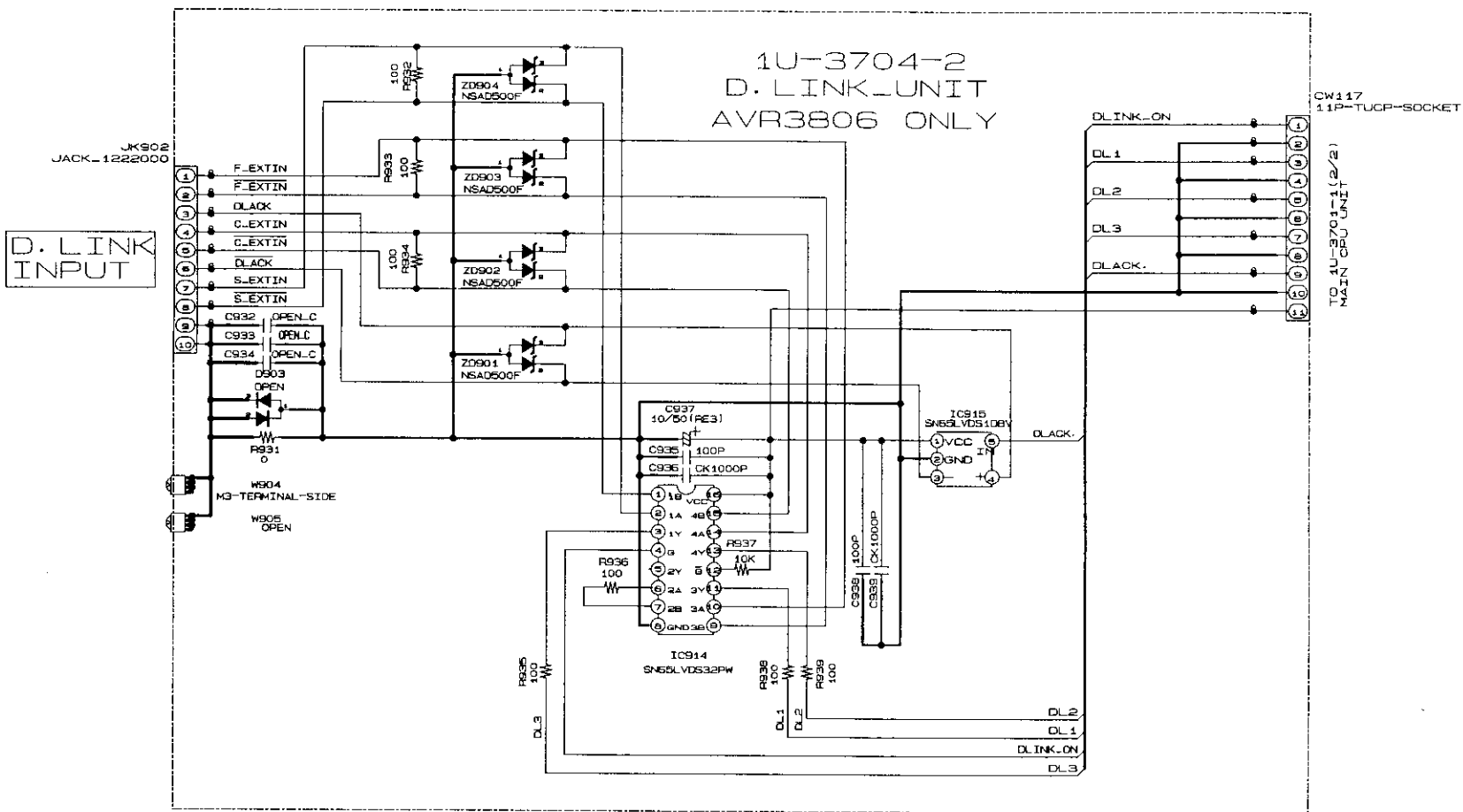
TO 1U-3704-1(3/4)



PRERETGND
A+15V
A-15V
HIGH+
ASIGDET
A+BLIMIT
LIMIT

1U-3704-1 (4/4)
AUDIO UNIT (4/4)

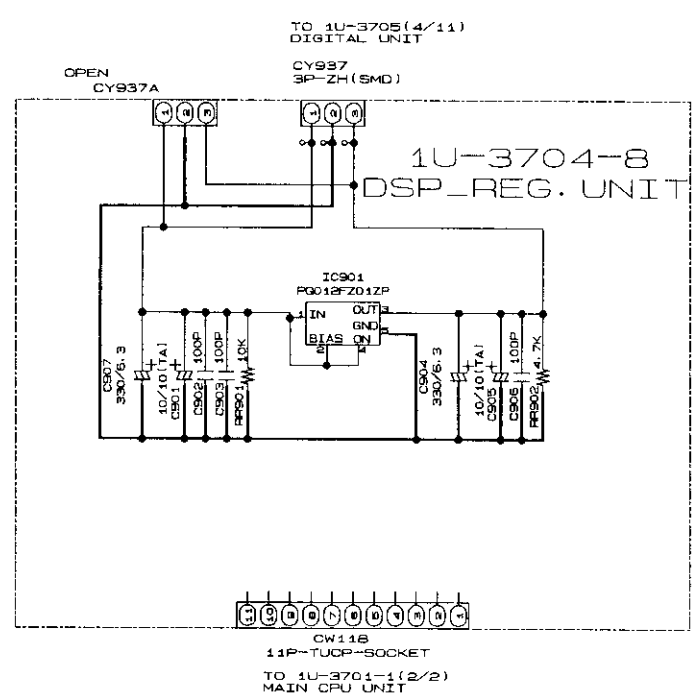




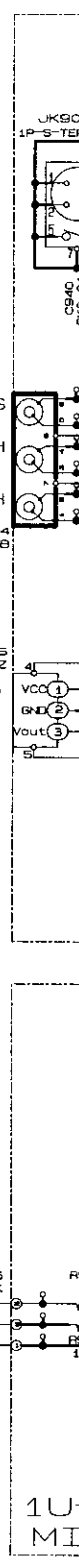
FRONT V. AUX

FRONT V. AUX

FRONT V. AUX



FRONT MICIN



6

7

8

9

10

11

A

B

C

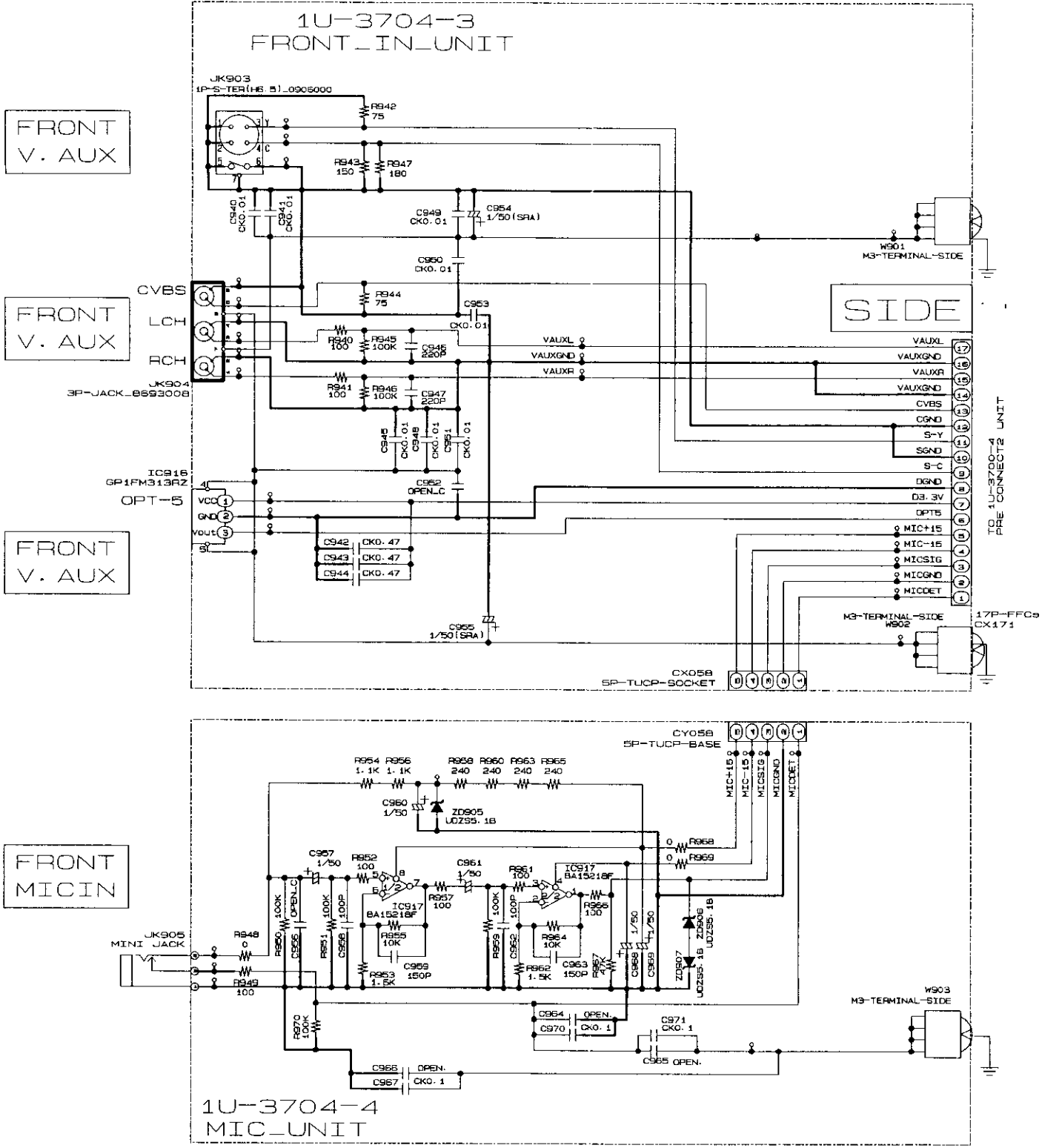
D

E

F

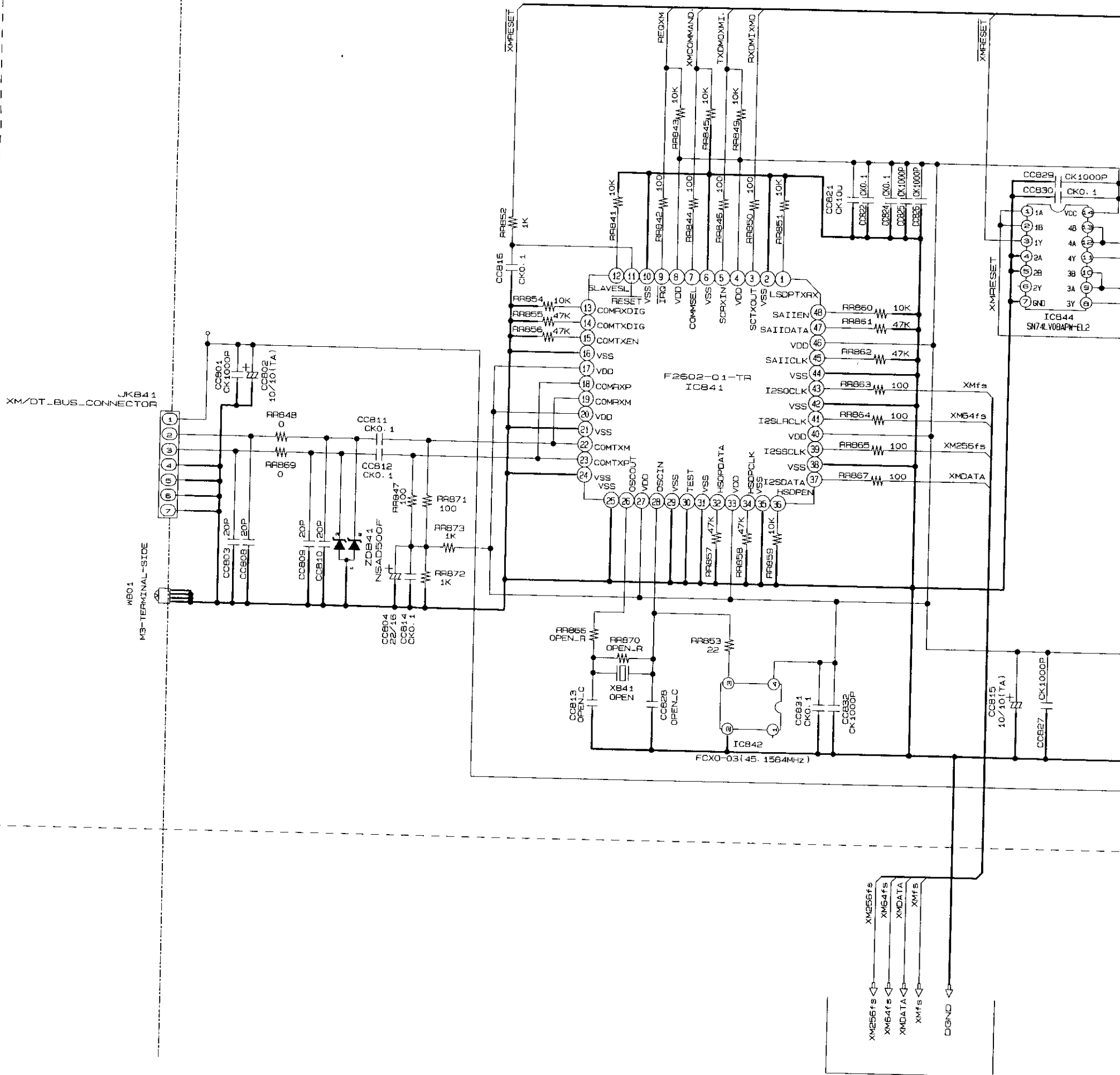
G

H



SCHEMATIC DIAGRAMS (20/31)
 1U-3704-2 D.LINK UNIT
 1U-3704-3 FRONT IN UNIT
 1U-3704-4 MIC UNIT
 1U-3704-8 DSP REG. UNIT

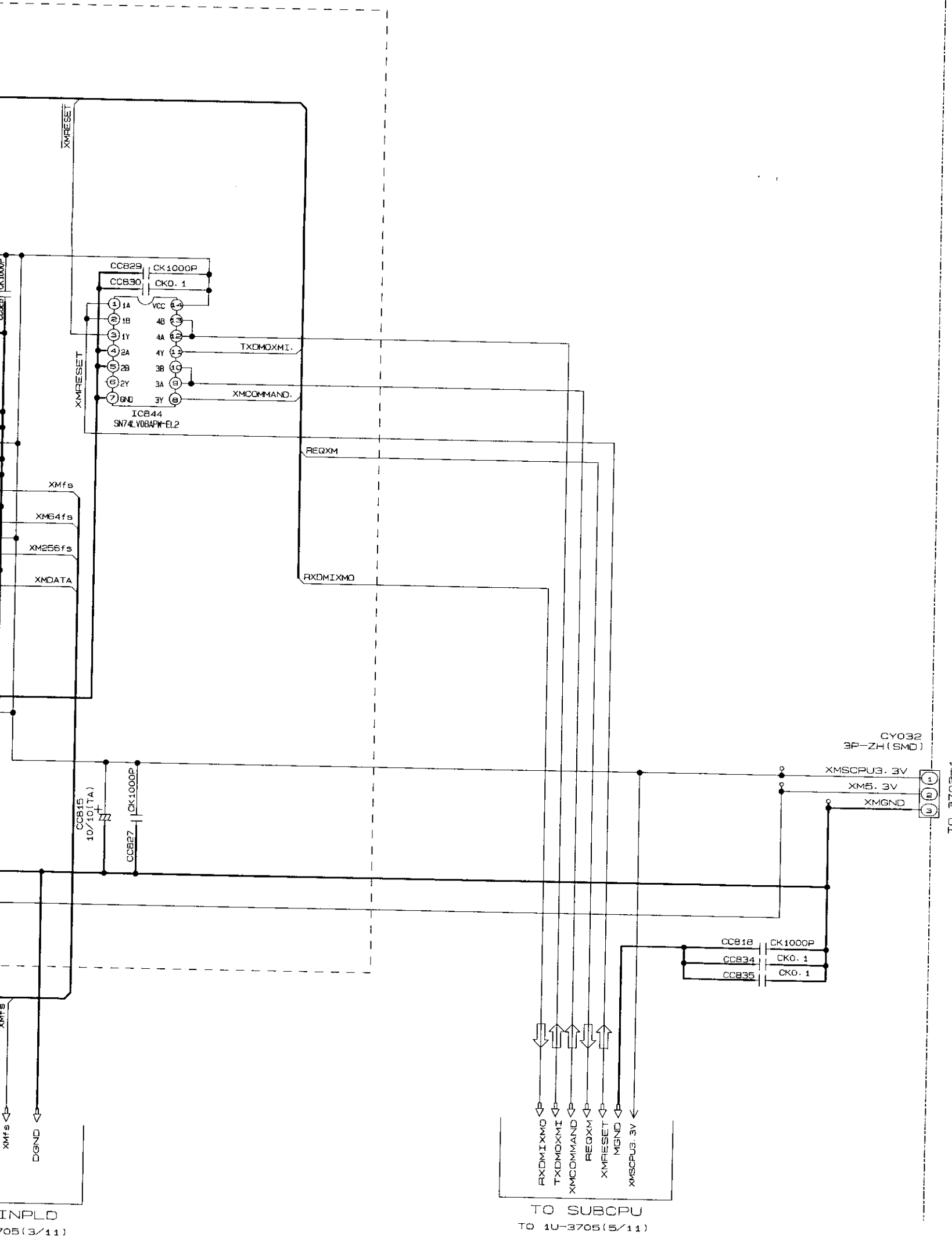
USA/CANADA MODEL ONLY



TO MAINPLD
TO 1U-3705(3/11)

6 7 8 9 10 11

1U-3705 DIGITAL_UNIT (1/11)



INPLD
705(3/11)

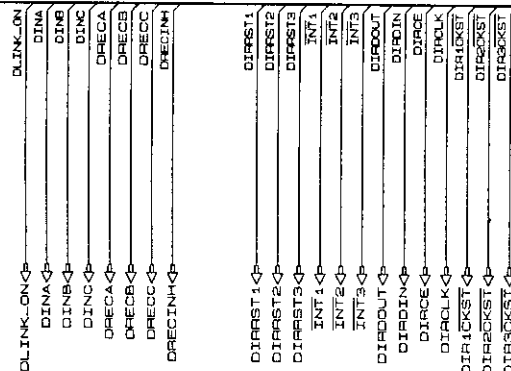
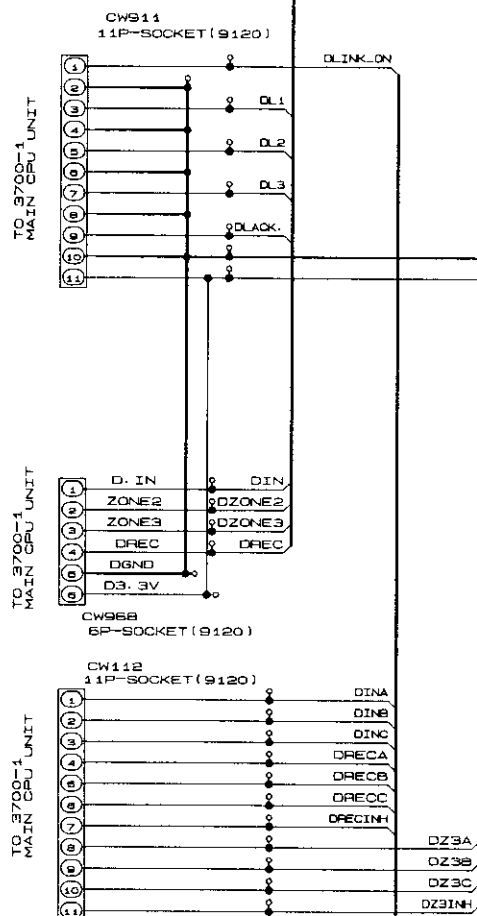
TO SUBCPU
TO 1U-3705(5/11)

XM RADIO SECTION(1/1)

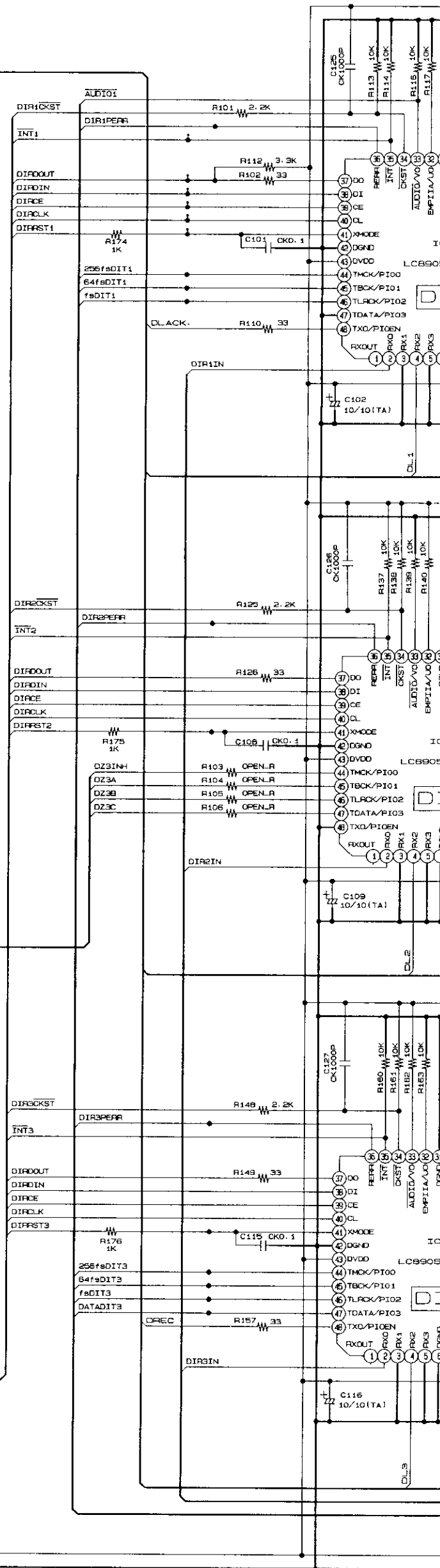
SCHEMATIC DIAGRAMS (21/31)
1U-3705 DIGITAL UNIT(1/11)

A
B
C
D
E
F
G
H

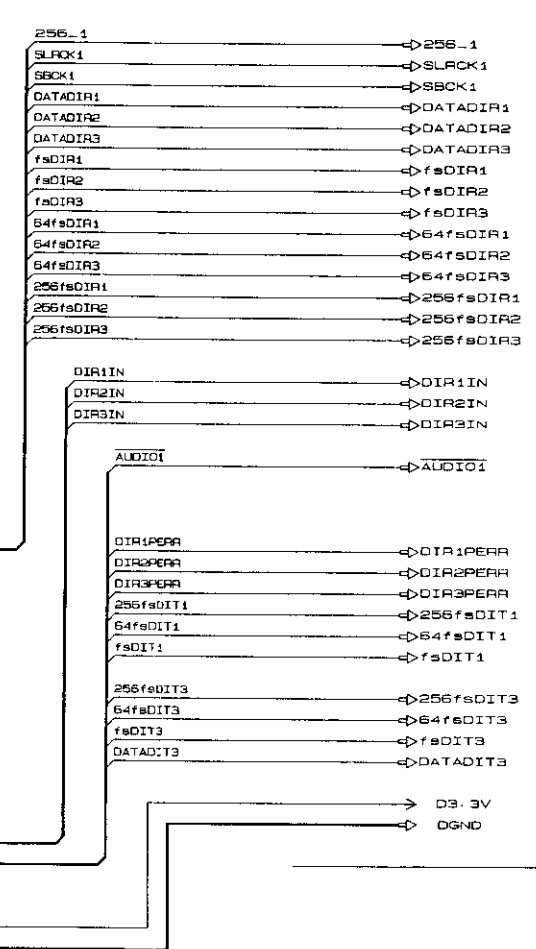
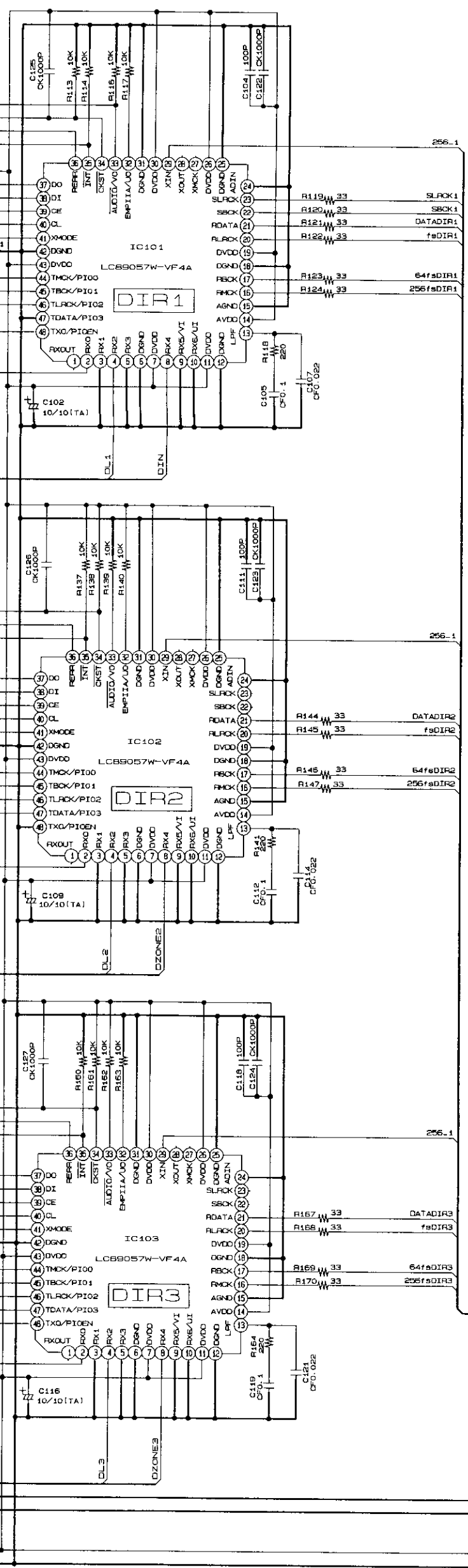
1U-3705
DIGITAL UNIT
(2/11)



TO SUBCPU
TO 1U-3705(5/11)



6 7 8 9 10 11



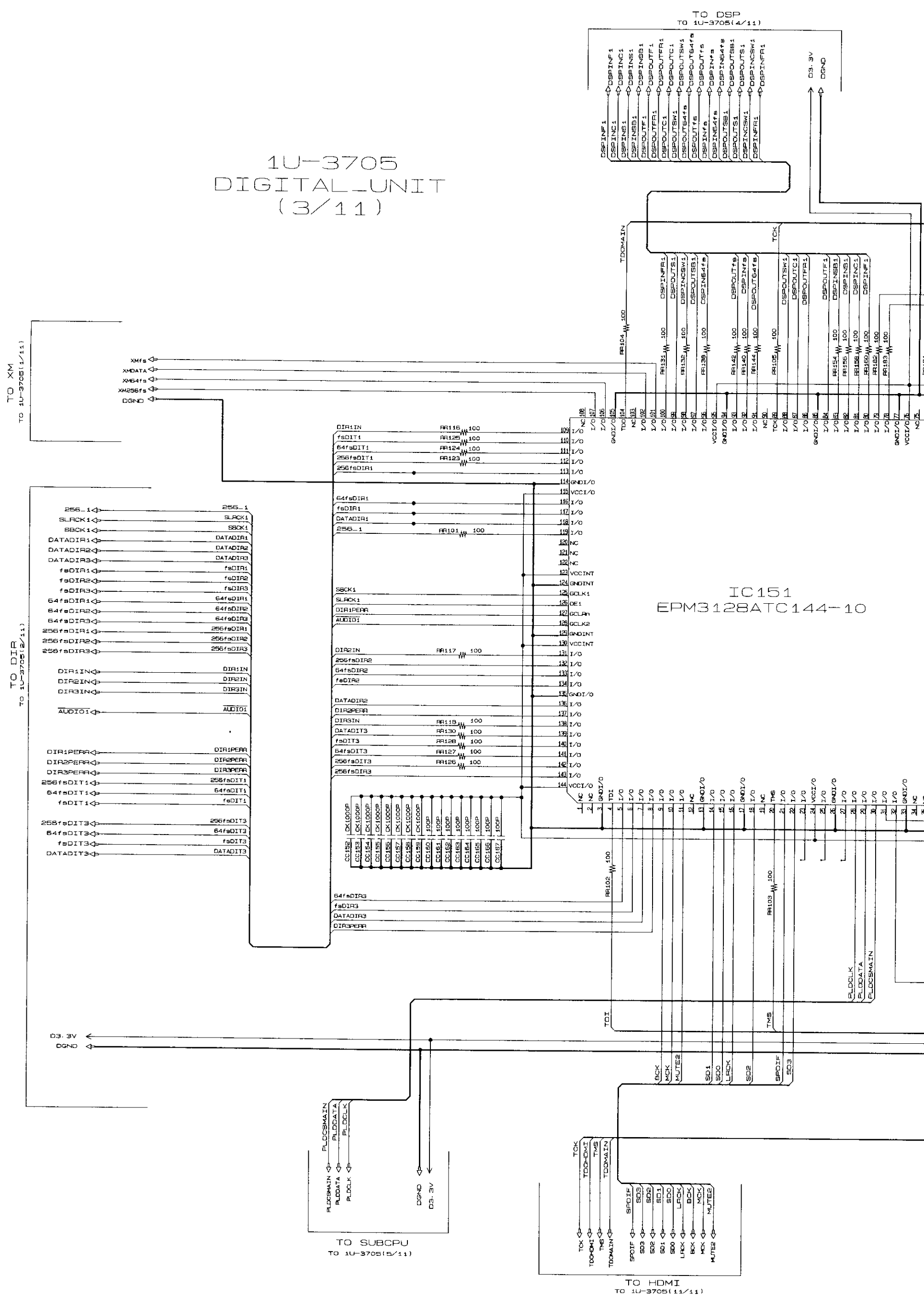
TO PLD
TO 1U-3705(3/11)

DIR SECTION (1/1)

A
B
C
D
E
F
G
H

1 2 3 4 5 6

1U-3705 DIGITAL UNIT (3/11)



IC151 EPM3128ATC144-10

TO SUBCPU TO 1U-3705(5/11)

TO HDMI TO 1U-3705(11/11)

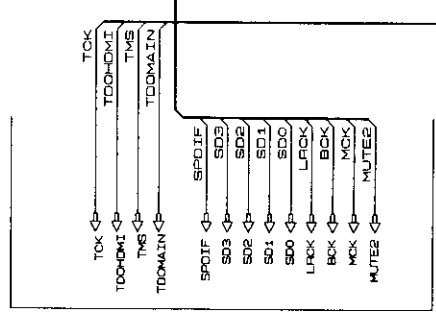
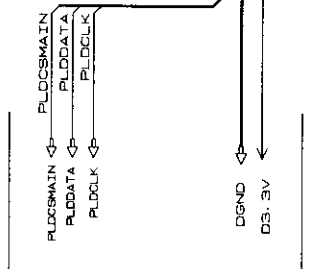
TO XM TO 1U-3705(1/11)

TO DIR TO 1U-3705(2/11)

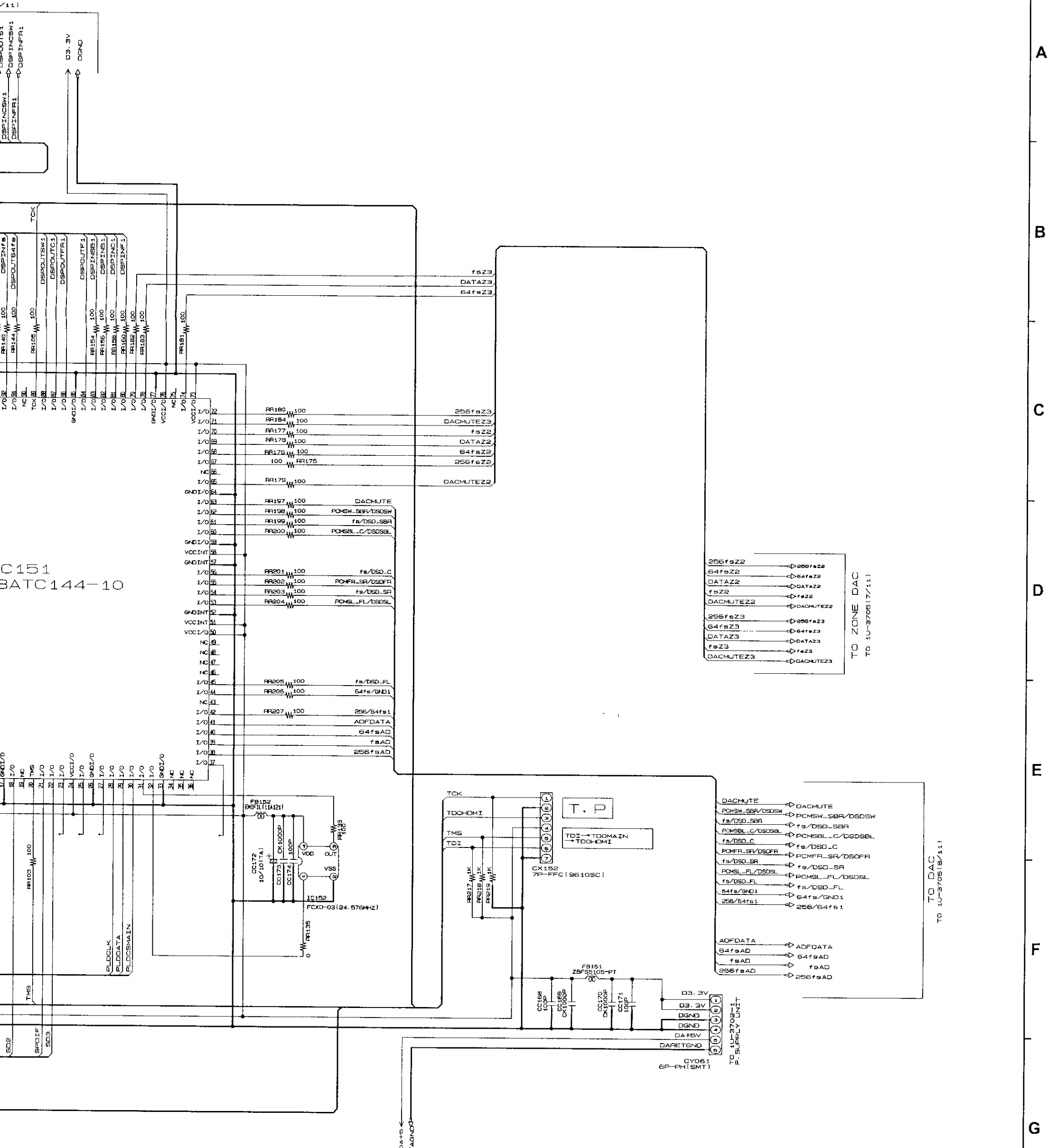
TO DSP TO 1U-3705(4/11)

D3.3V DGND

D3.3V DGND



6 7 8 9 10 11



C151
BATC144-10

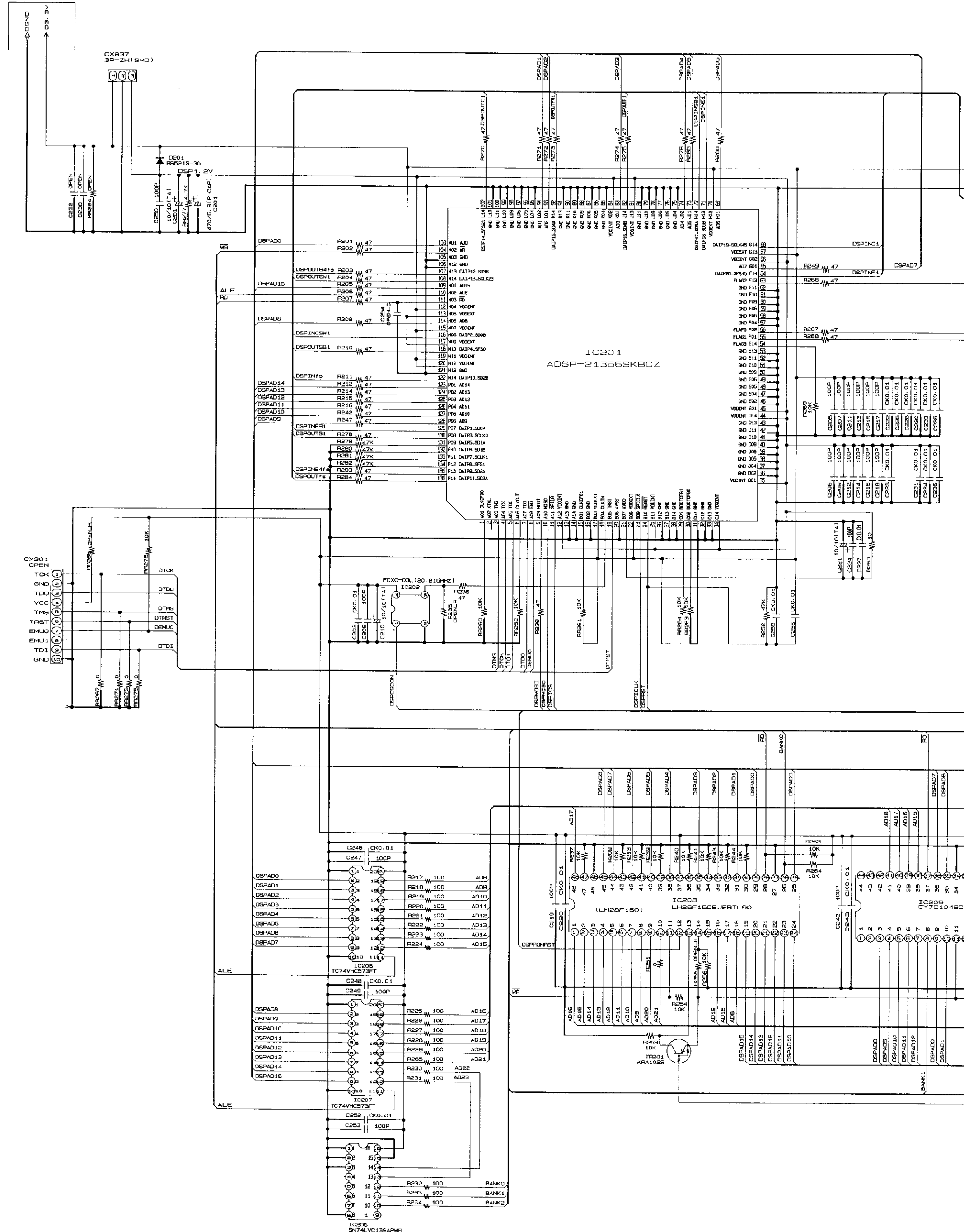
TO DAC
TO 1U-3705(6/11)

MAIN PLD SECTION(1/1)

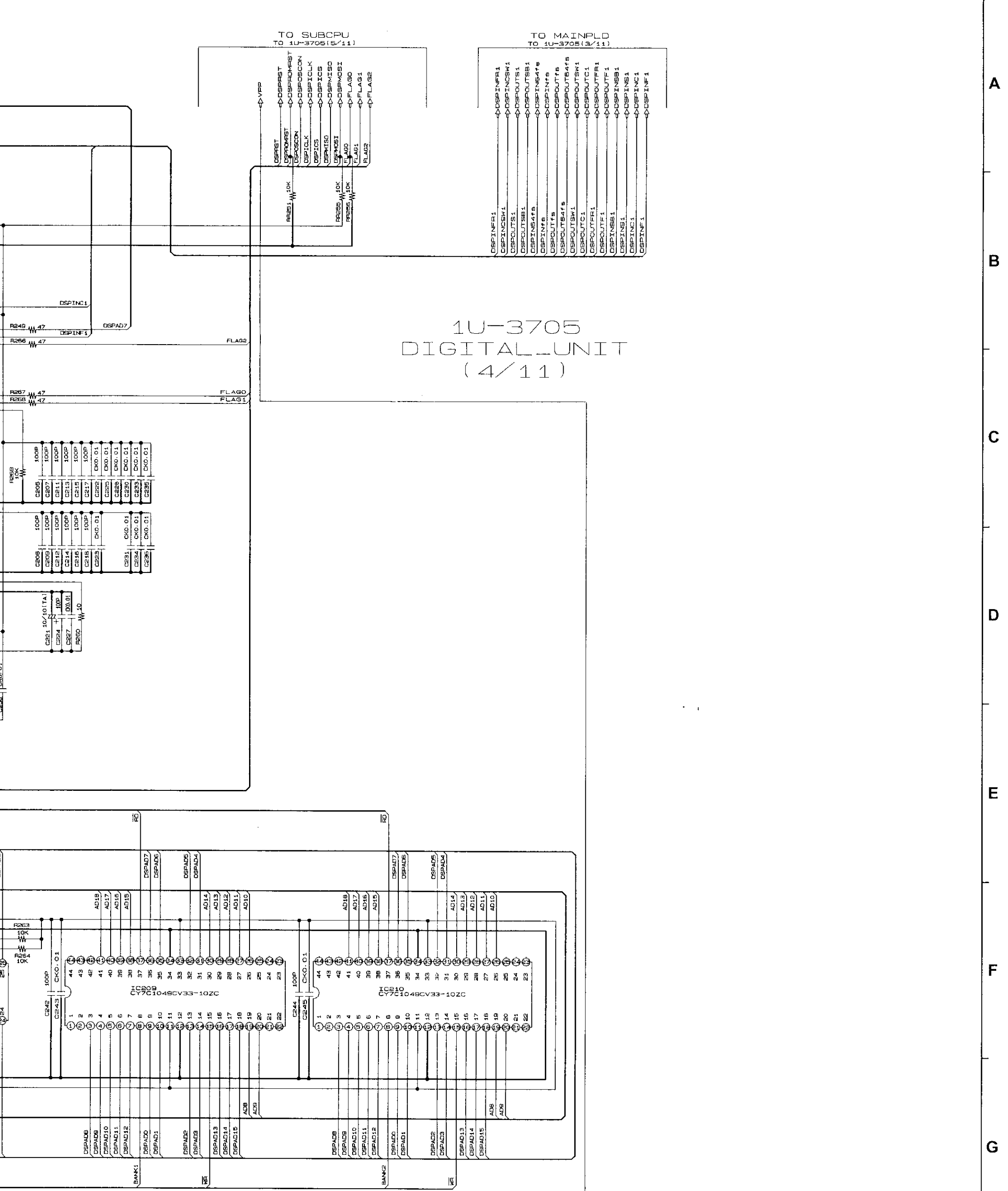
SCHEMATIC DIAGRAMS (23/31)
1U-3705 DIGITAL UNIT(3/11)

A
B
C
D
E
F
G
H

TO MAINPLD
TO 1U-3705(3/11)



6 7 8 9 10 11



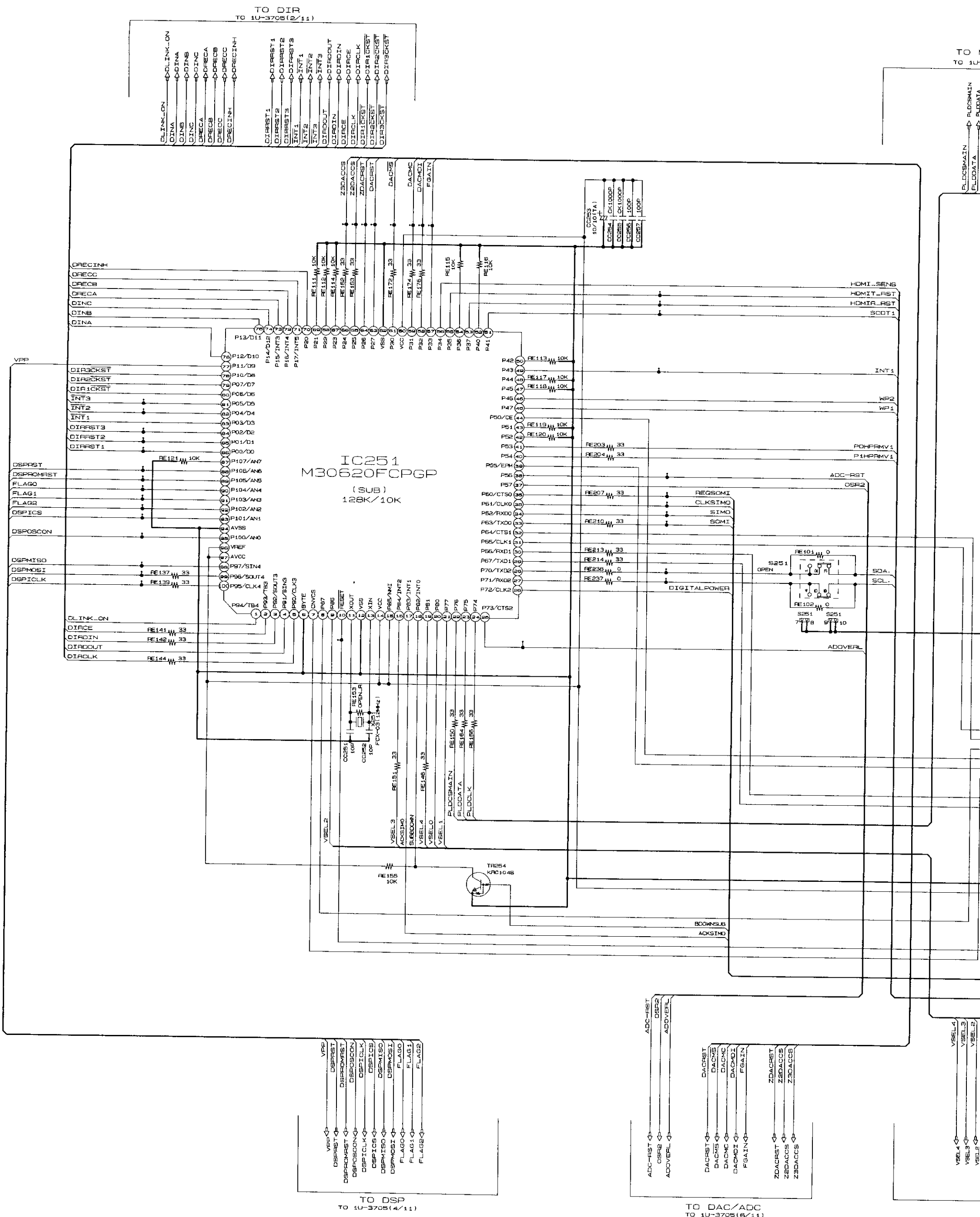
DSP SECTION (1/1)

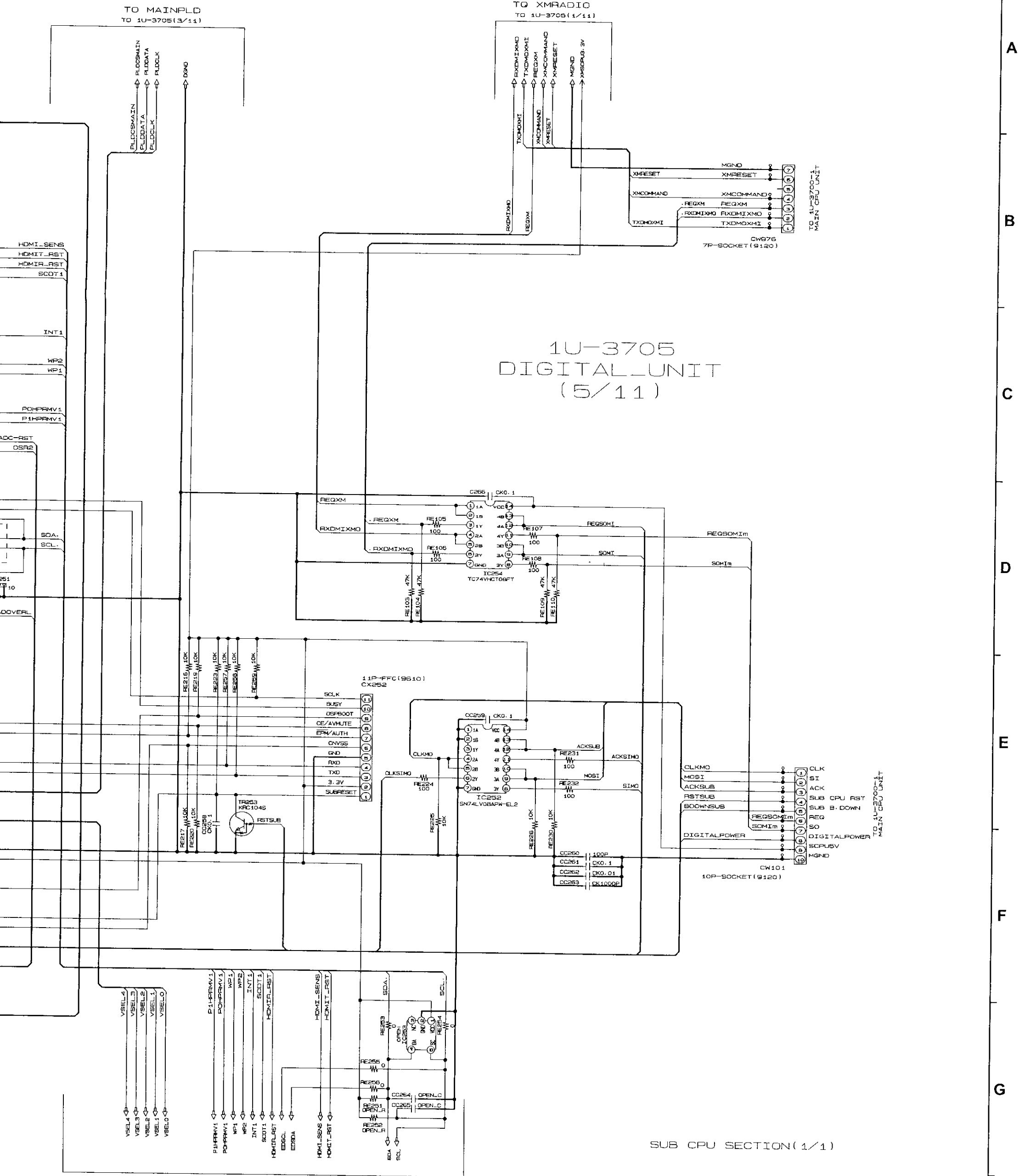
SCHEMATIC DIAGRAMS (24/31)
1U-3705 DIGITAL UNIT(4/11)

A
B
C
D
E
F
G
H

SCHEMATIC DIAGRAMS (25/31)

1 2 3 4 5 6



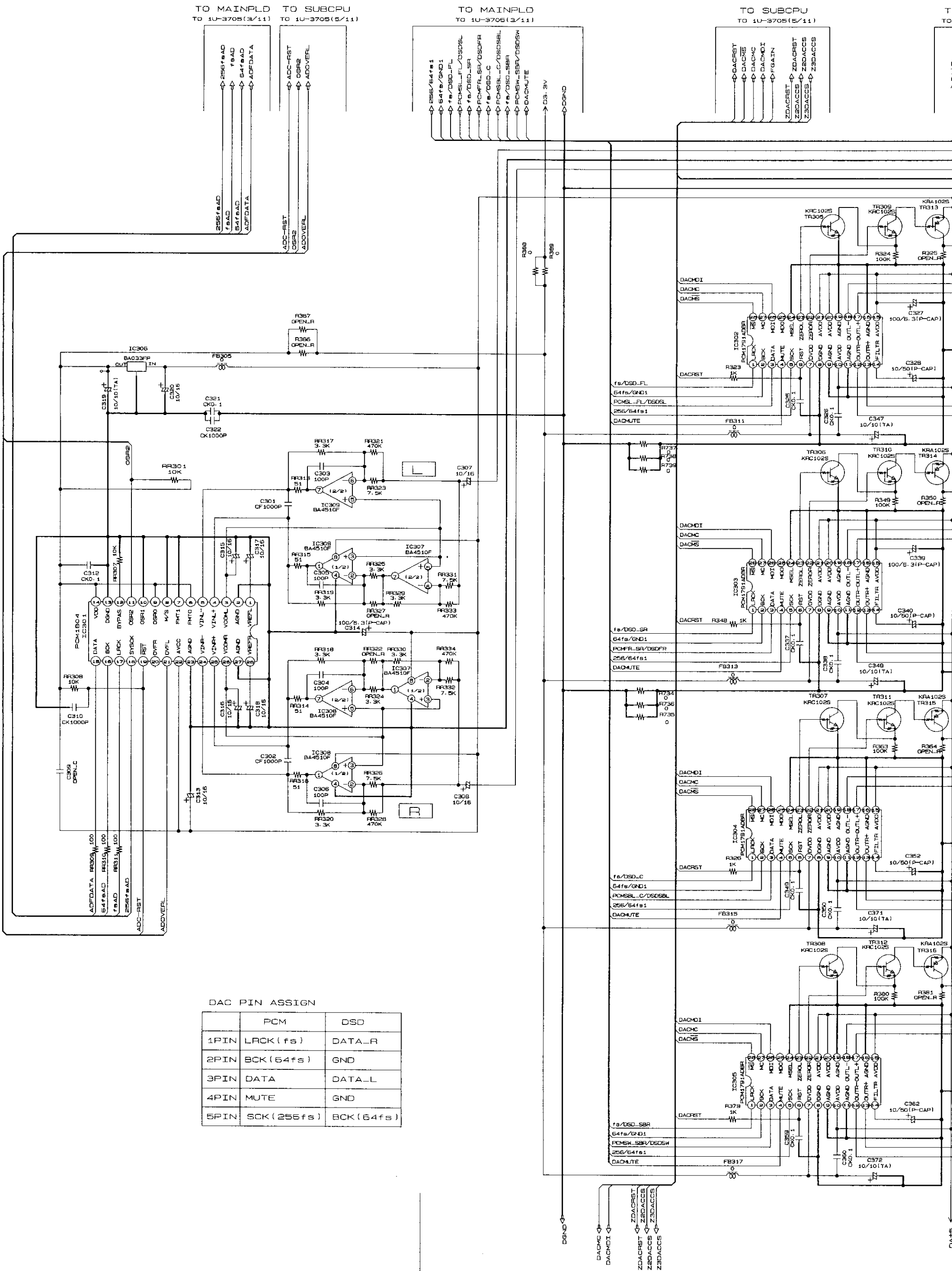


1U-3705
DIGITAL_UNIT
(5/11)

SUB CPU SECTION (1/1)

SCHEMATIC DIAGRAMS (25/31)
1U-3705 DIGITAL UNIT(5/11)

A
B
C
D
E
F
G
H

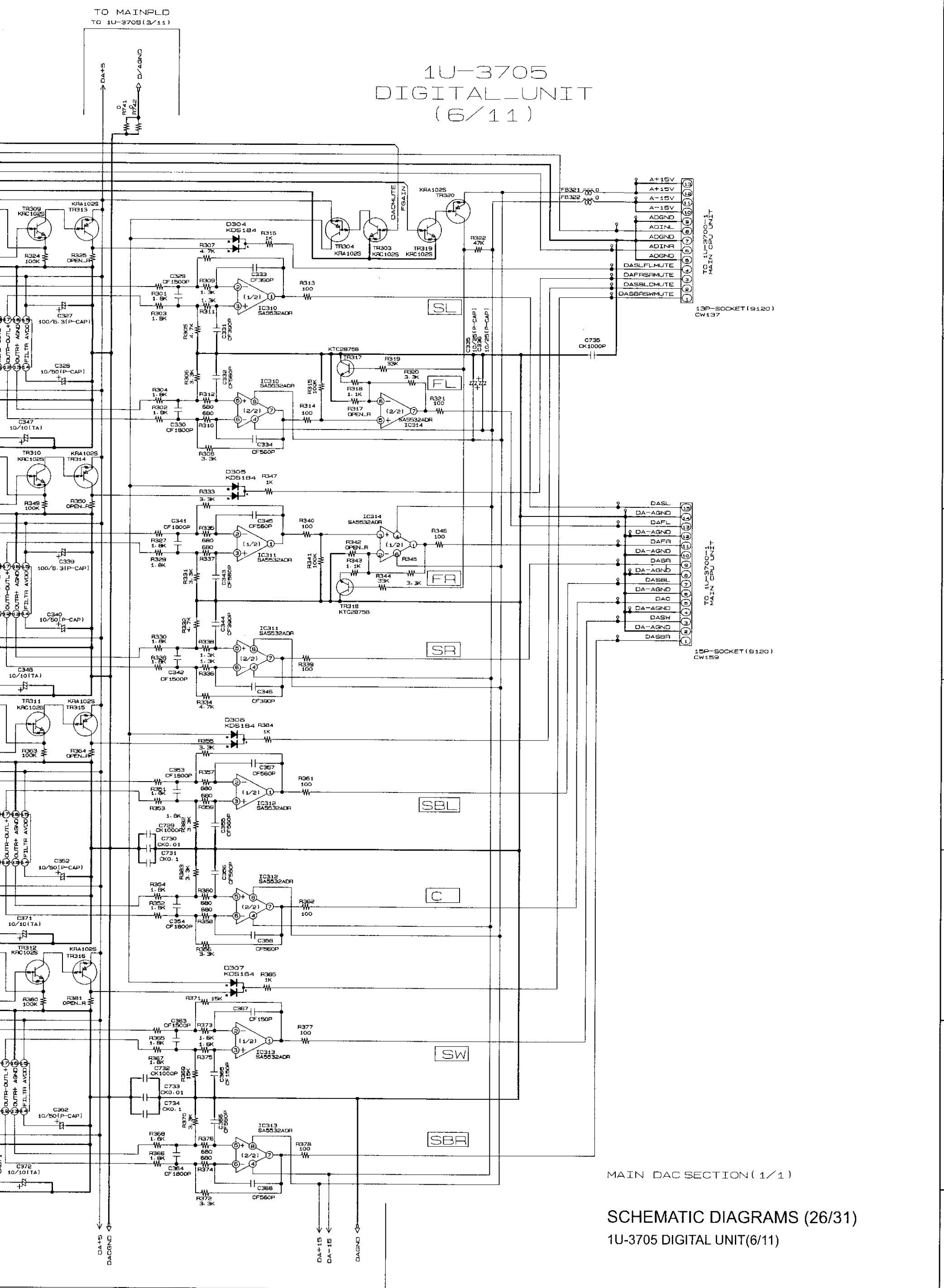


DAC PIN ASSIGN

| | PCM | DSD |
|------|-------------|------------|
| 1PIN | LRCK (fs) | DATA_R |
| 2PIN | BCK (64fs) | GND |
| 3PIN | DATA | DATA_L |
| 4PIN | MUTE | GND |
| 5PIN | SCK (256fs) | BCK (64fs) |

6 7 8 9 10 11

1U-3705 DIGITAL UNIT (6/11)

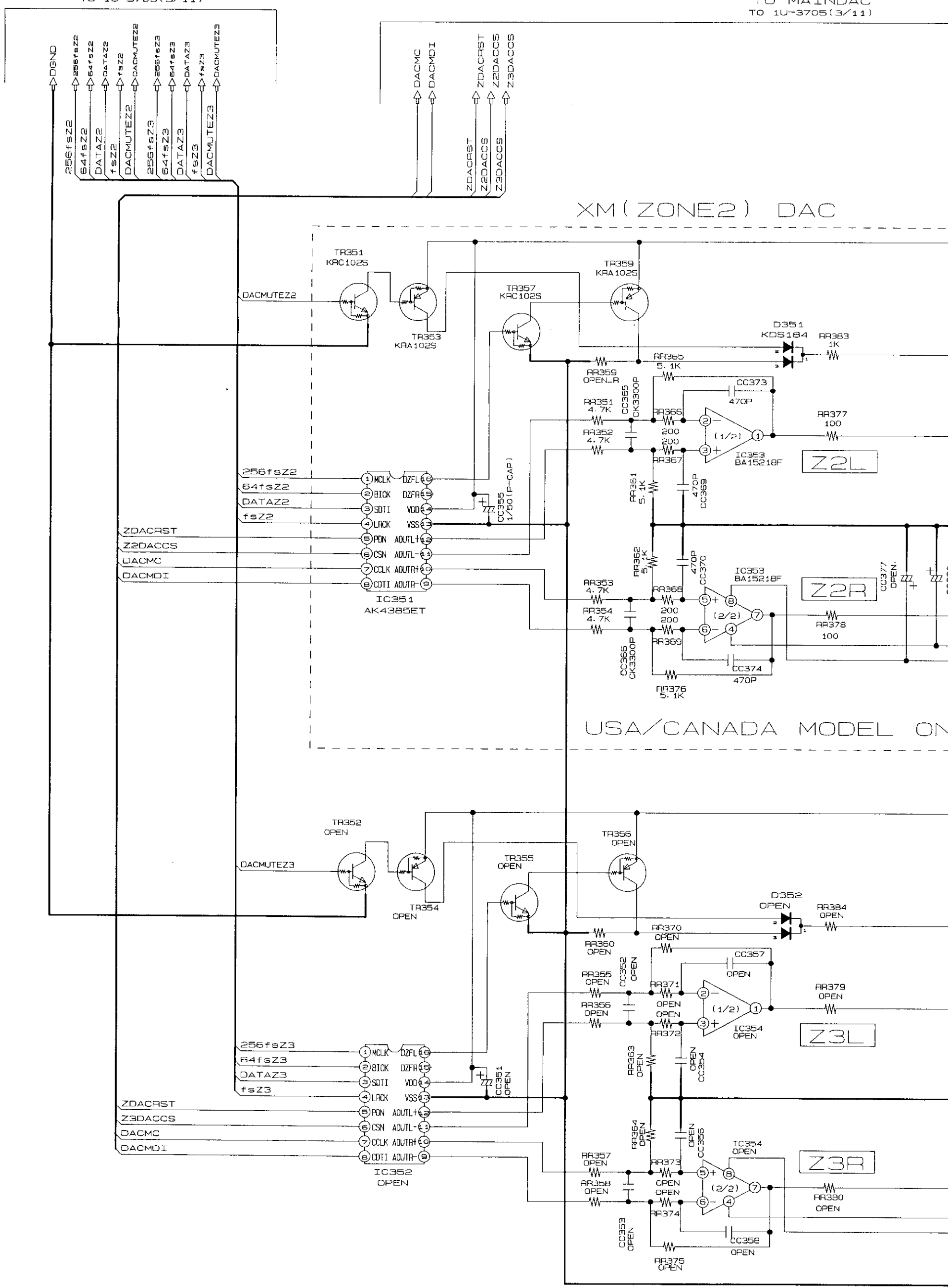


A
B
C
D
E
F
G
H

MAIN DAC SECTION (1/1)
SCHEMATIC DIAGRAMS (26/31)
1U-3705 DIGITAL UNIT(6/11)

TO MAINPLD
TO 1U-3705(3/11)

TO MAINDAC
TO 1U-3705(3/11)



6

7

8

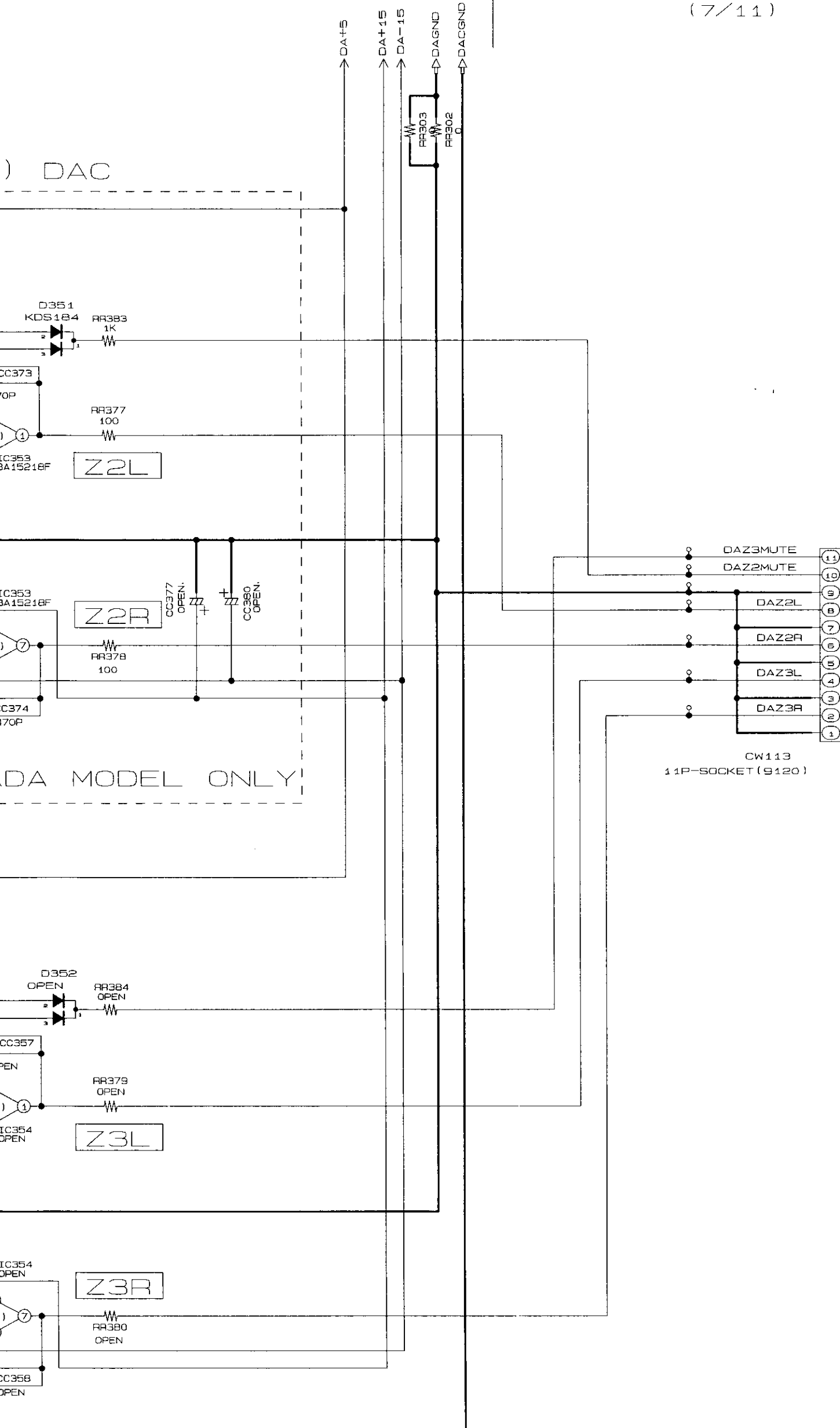
9

10

11

TO MAINDAC
TO 1U-3705(3/11)

1U-3705
DIGITAL UNIT
(7/11)

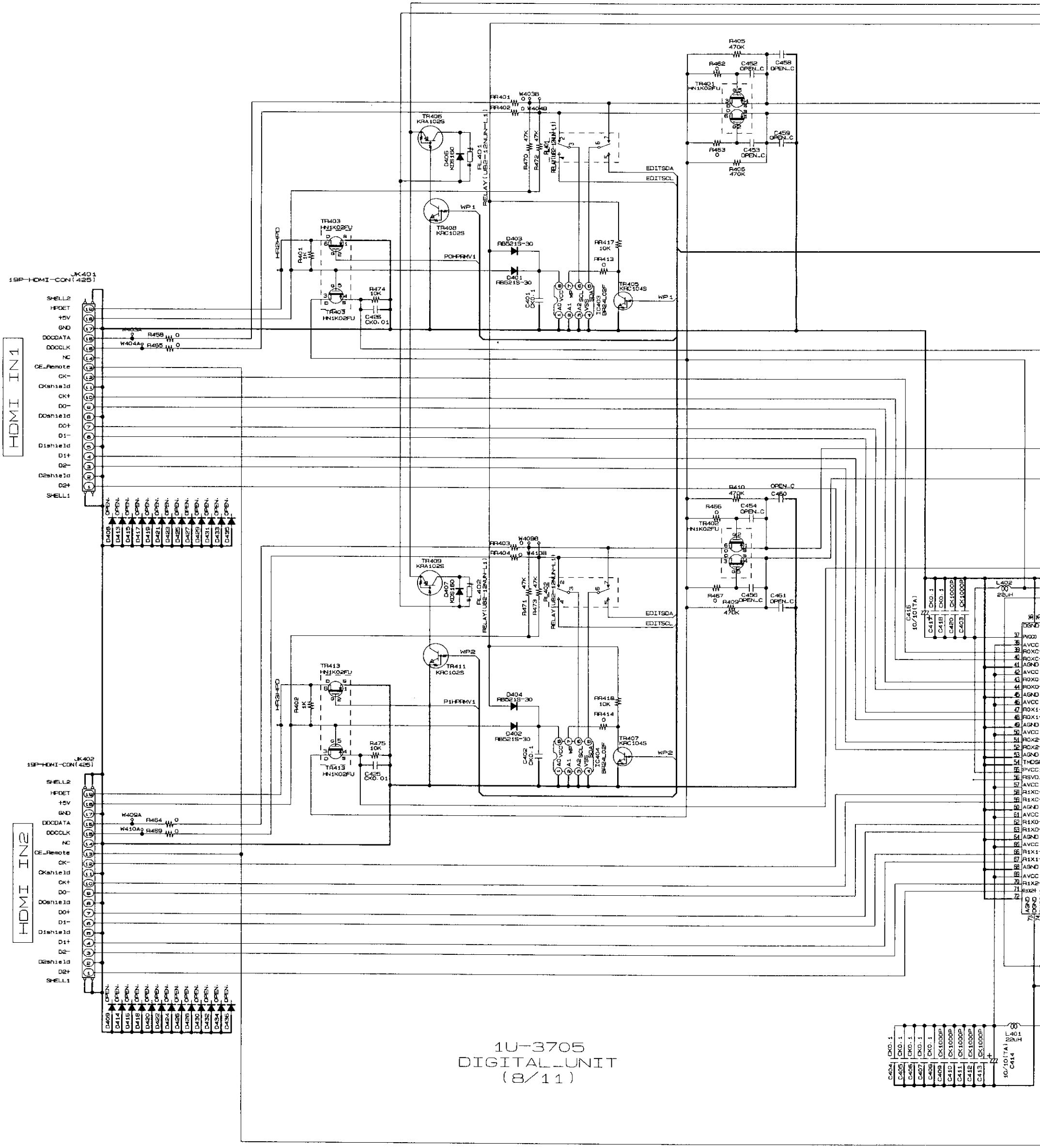


TO 1U-3700-1
MAIN CPU UNIT

XM(ZONE2/3 DAC) SECTION(1/1)

SCHEMATIC DIAGRAMS (28/31)

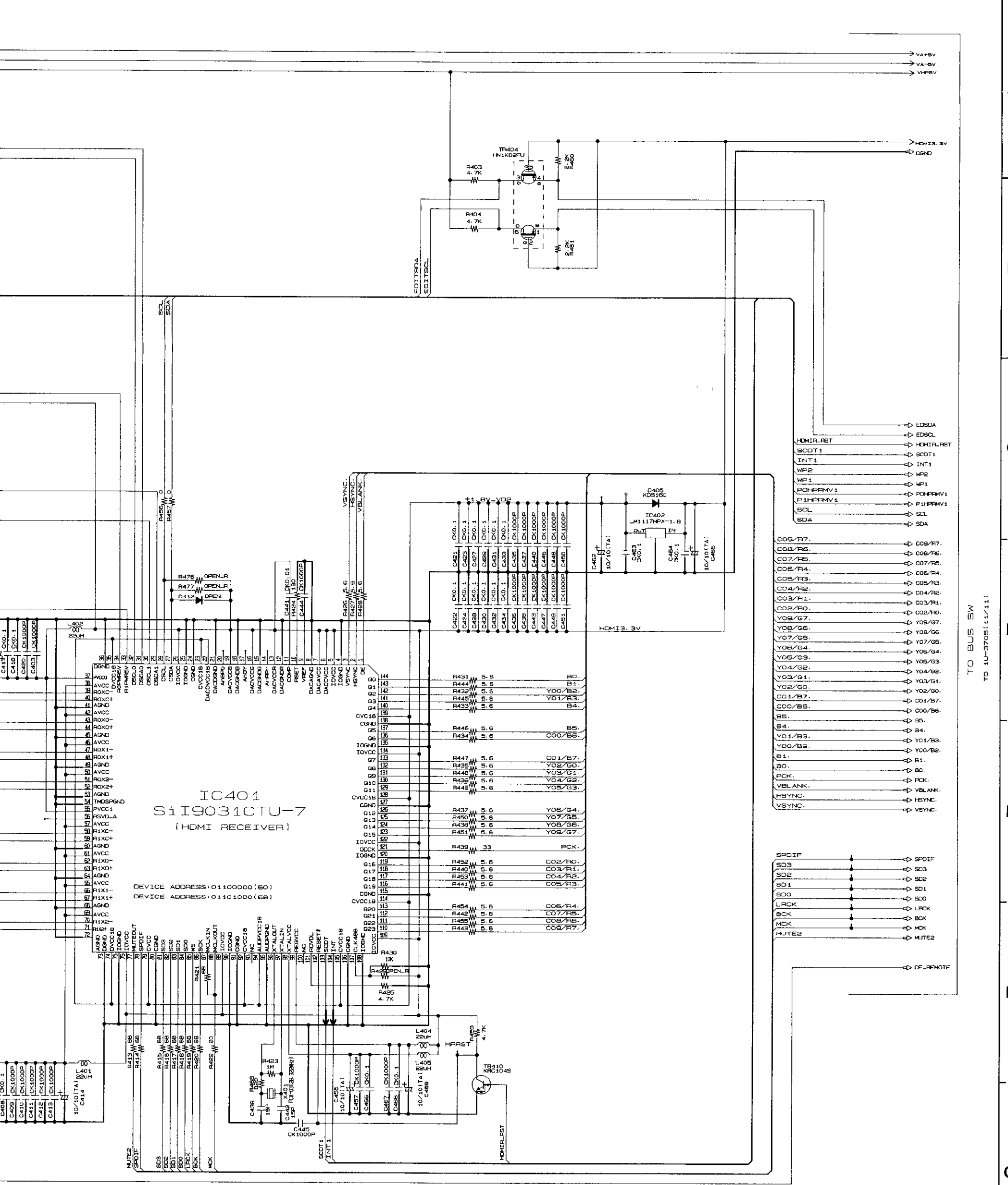
1 2 3 4 5 6



1U-3705
DIGITAL UNIT
(8/11)

C404 CK0.1
C405 CK0.1
C406 CK0.1
C407 CK0.1
C408 CK0.1
C409 CK1000P
C410 CK1000P
C411 CK1000P
C412 CK1000P
C413 CK1000P
10/101TA1 40.1
C414

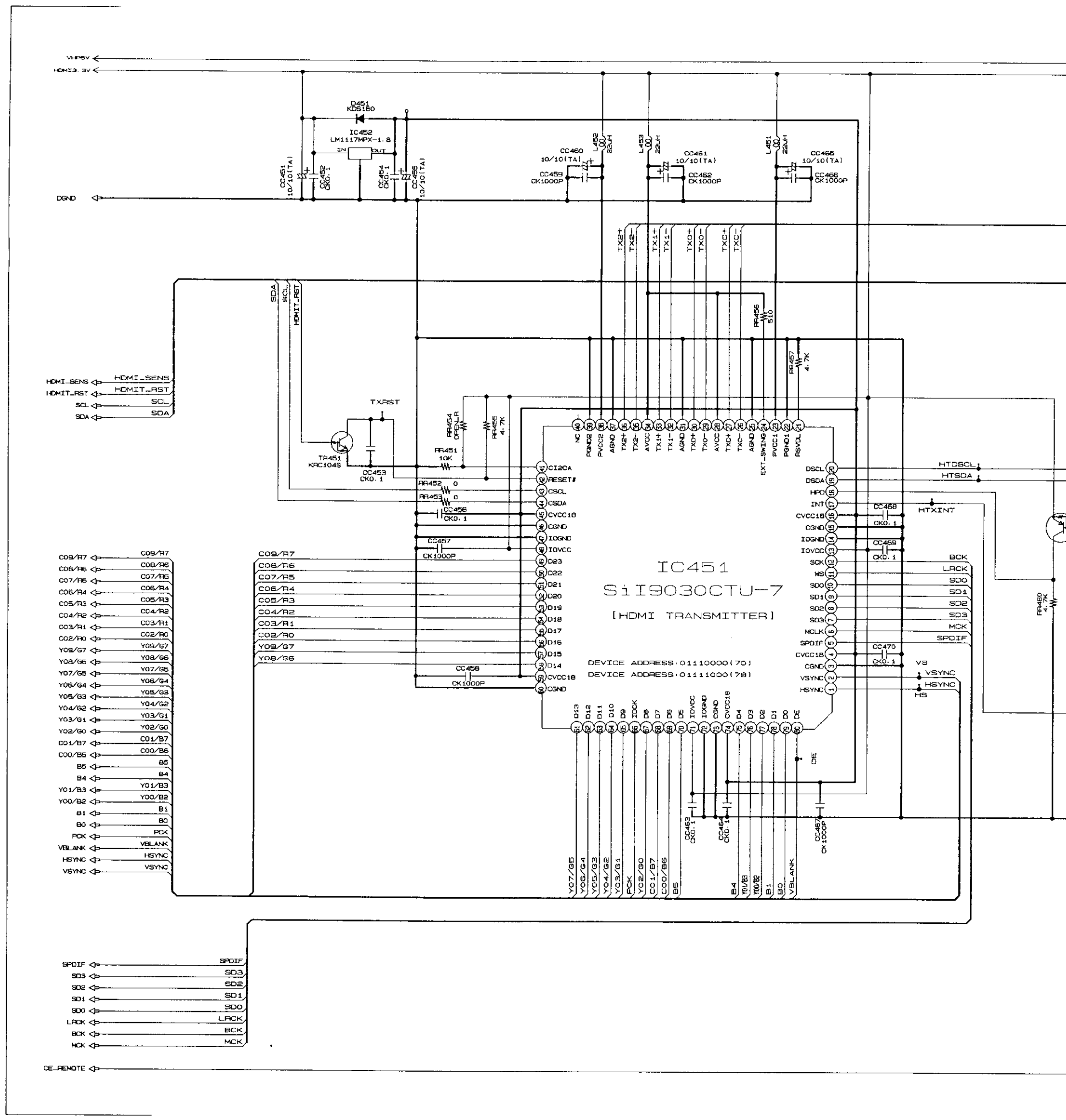
6 7 8 9 10 11



A
B
C
D
E
F
G
H

HDMI IN SECTION (1/1)

SCHEMATIC DIAGRAMS (28/31)
1U-3705 DIGITAL UNIT(8/11)



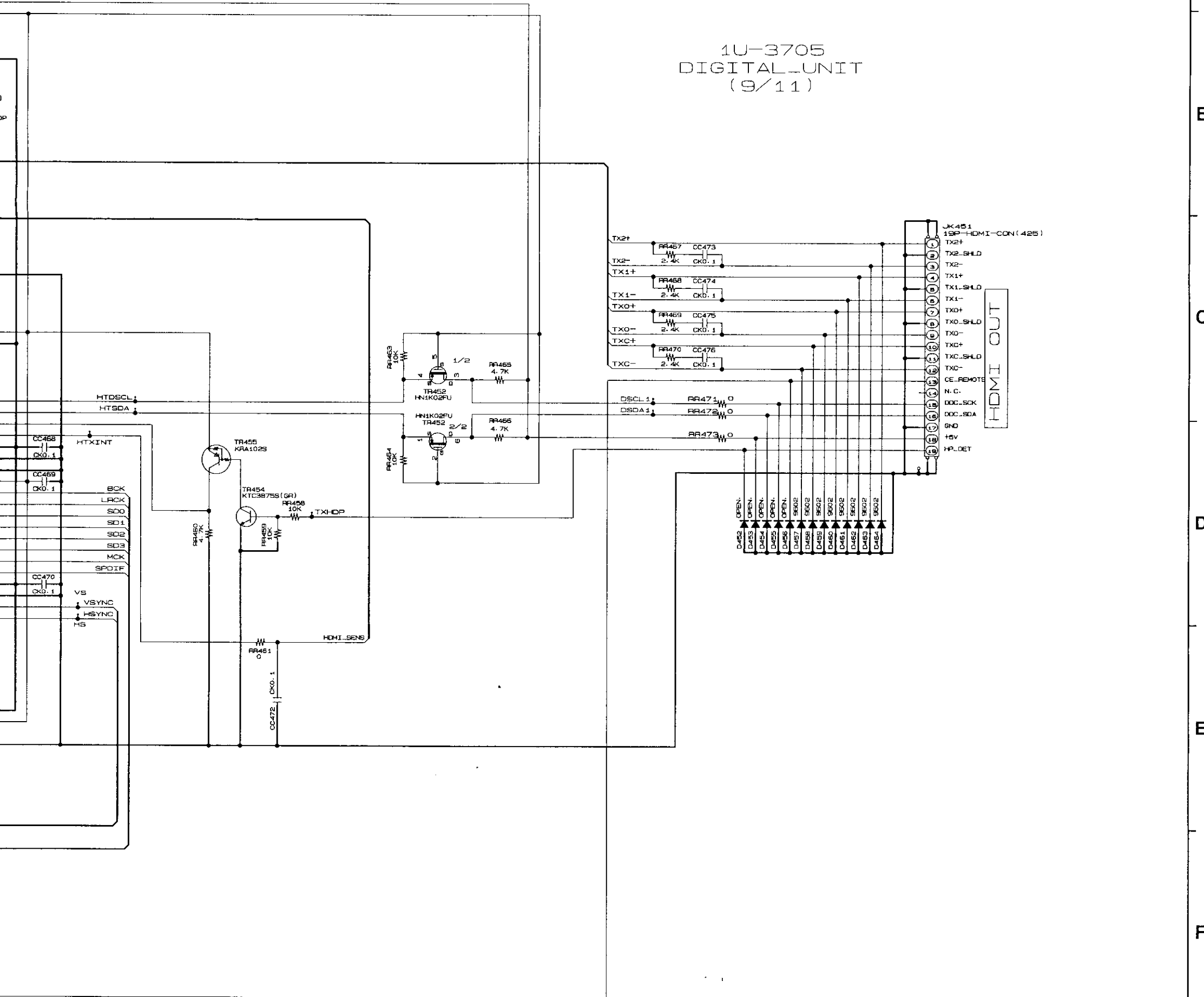
TO BUS SW TO 1U-3705(1.1/1.1)

- C09/R7 ↔ C09/R7
- C08/R6 ↔ C08/R6
- C07/R5 ↔ C07/R5
- C06/R4 ↔ C06/R4
- C05/R3 ↔ C05/R3
- C04/R2 ↔ C04/R2
- C03/R1 ↔ C03/R1
- C02/R0 ↔ C02/R0
- Y08/G7 ↔ Y08/G7
- Y08/G6 ↔ Y08/G6
- Y07/G5 ↔ Y07/G5
- Y06/G4 ↔ Y06/G4
- Y05/G3 ↔ Y05/G3
- Y04/G2 ↔ Y04/G2
- Y03/G1 ↔ Y03/G1
- Y02/G0 ↔ Y02/G0
- C01/B7 ↔ C01/B7
- C00/B6 ↔ C00/B6
- B5 ↔ B5
- B4 ↔ B4
- Y01/B3 ↔ Y01/B3
- Y00/B2 ↔ Y00/B2
- B1 ↔ B1
- B0 ↔ B0
- PCK ↔ PCK
- VBLANK ↔ VBLANK
- HSYNC ↔ HSYNC
- VSYNC ↔ VSYNC

- SPDIF ↔ SPDIF
- SD3 ↔ SD3
- SD2 ↔ SD2
- SD1 ↔ SD1
- SD0 ↔ SD0
- LACK ↔ LACK
- BCK ↔ BCK
- MCK ↔ MCK

DE_REMOTE ↔

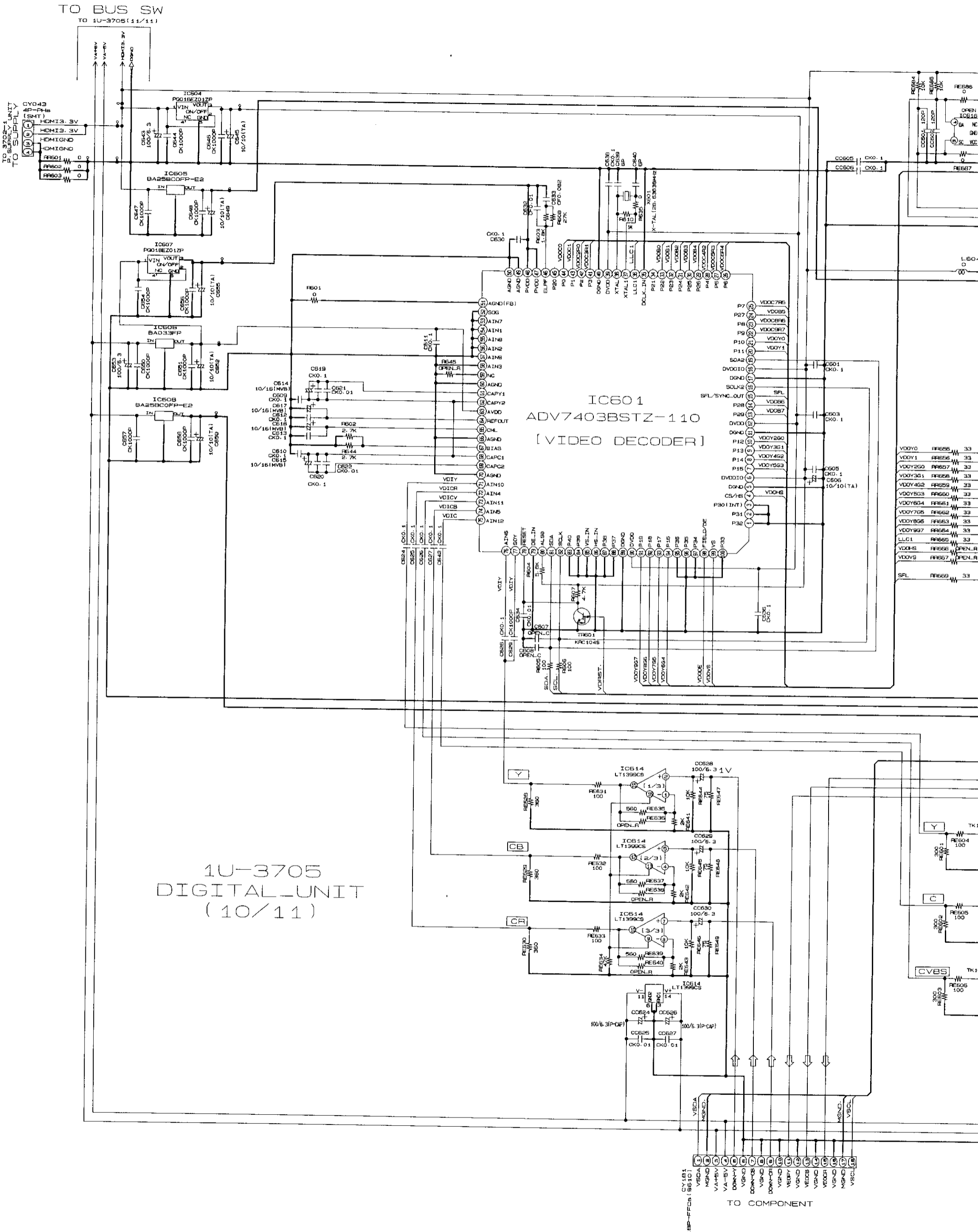
1U-3705
DIGITAL_UNIT
(9/11)



HDMI OUT SECTION (1/1)

SCHEMATIC DIAGRAMS (30/31)

1 2 3 4 5 6



TO BUS SW
TO 1U-3705(11/11)

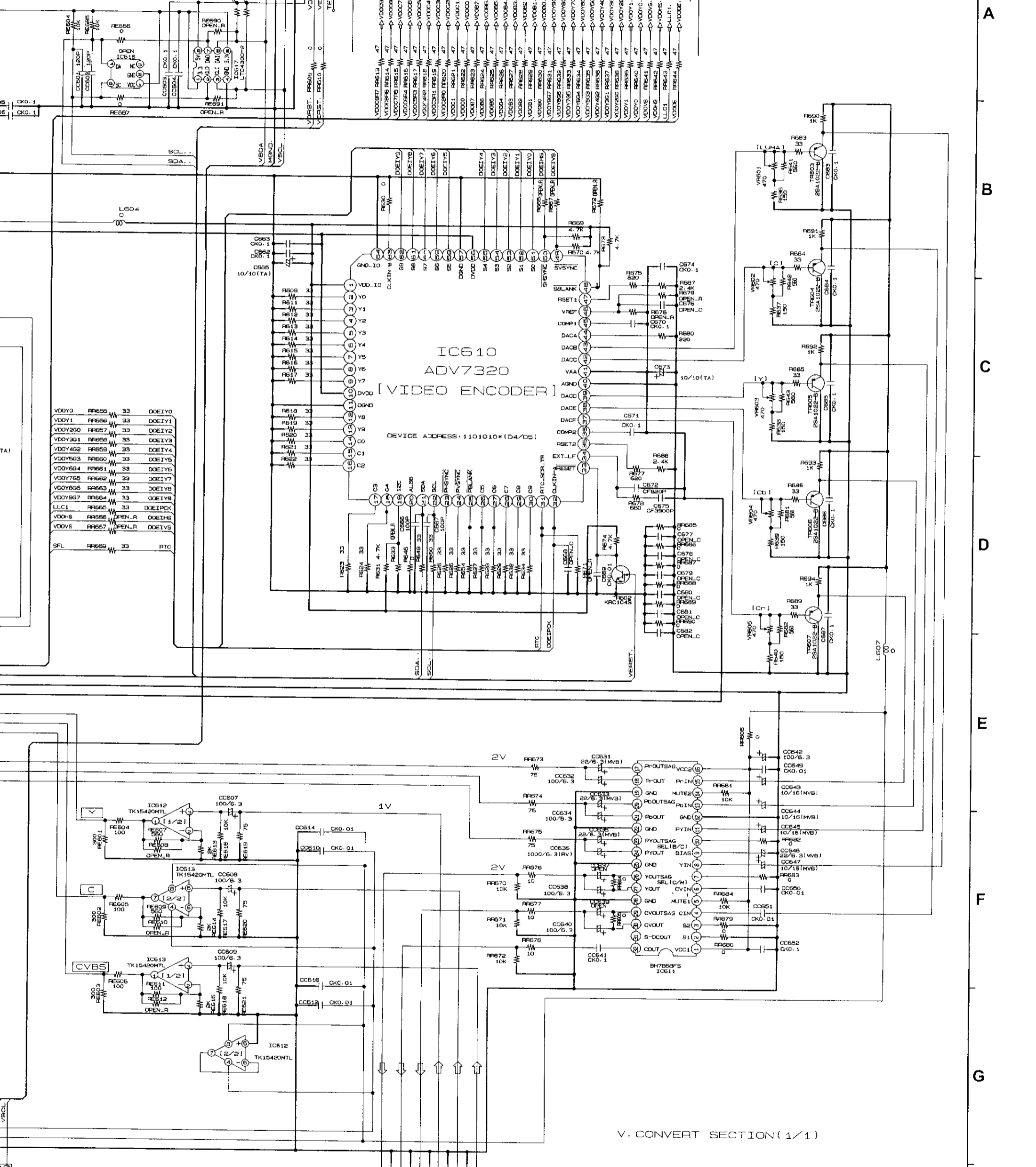
TO 3705-1
P. SUPPLY UNIT
TO SUPPLY

1U-3705
DIGITAL UNIT
(10/11)

IC601
ADV7403BSTZ-110
[VIDEO DECODER]

TO COMPONENT

6 7 8 9 10 11



TO 3700-1 MAIN CPU UNIT

TO BUS SW TO 1U-3705(11/11)

| | | | | | |
|-----------|------|----|---|---|-----------|
| VDD03R7 | R613 | 47 | W | → | VDD03R7 |
| VDD03R8 | R614 | 47 | W | → | VDD03R8 |
| VDD03R9 | R615 | 47 | W | → | VDD03R9 |
| VDD03R10 | R616 | 47 | W | → | VDD03R10 |
| VDD03R11 | R617 | 47 | W | → | VDD03R11 |
| VDD03R12 | R618 | 47 | W | → | VDD03R12 |
| VDD03R13 | R619 | 47 | W | → | VDD03R13 |
| VDD03R14 | R620 | 47 | W | → | VDD03R14 |
| VDD03R15 | R621 | 47 | W | → | VDD03R15 |
| VDD03R16 | R622 | 47 | W | → | VDD03R16 |
| VDD03R17 | R623 | 47 | W | → | VDD03R17 |
| VDD03R18 | R624 | 47 | W | → | VDD03R18 |
| VDD03R19 | R625 | 47 | W | → | VDD03R19 |
| VDD03R20 | R626 | 47 | W | → | VDD03R20 |
| VDD03R21 | R627 | 47 | W | → | VDD03R21 |
| VDD03R22 | R628 | 47 | W | → | VDD03R22 |
| VDD03R23 | R629 | 47 | W | → | VDD03R23 |
| VDD03R24 | R630 | 47 | W | → | VDD03R24 |
| VDD03R25 | R631 | 47 | W | → | VDD03R25 |
| VDD03R26 | R632 | 47 | W | → | VDD03R26 |
| VDD03R27 | R633 | 47 | W | → | VDD03R27 |
| VDD03R28 | R634 | 47 | W | → | VDD03R28 |
| VDD03R29 | R635 | 47 | W | → | VDD03R29 |
| VDD03R30 | R636 | 47 | W | → | VDD03R30 |
| VDD03R31 | R637 | 47 | W | → | VDD03R31 |
| VDD03R32 | R638 | 47 | W | → | VDD03R32 |
| VDD03R33 | R639 | 47 | W | → | VDD03R33 |
| VDD03R34 | R640 | 47 | W | → | VDD03R34 |
| VDD03R35 | R641 | 47 | W | → | VDD03R35 |
| VDD03R36 | R642 | 47 | W | → | VDD03R36 |
| VDD03R37 | R643 | 47 | W | → | VDD03R37 |
| VDD03R38 | R644 | 47 | W | → | VDD03R38 |
| VDD03R39 | R645 | 47 | W | → | VDD03R39 |
| VDD03R40 | R646 | 47 | W | → | VDD03R40 |
| VDD03R41 | R647 | 47 | W | → | VDD03R41 |
| VDD03R42 | R648 | 47 | W | → | VDD03R42 |
| VDD03R43 | R649 | 47 | W | → | VDD03R43 |
| VDD03R44 | R650 | 47 | W | → | VDD03R44 |
| VDD03R45 | R651 | 47 | W | → | VDD03R45 |
| VDD03R46 | R652 | 47 | W | → | VDD03R46 |
| VDD03R47 | R653 | 47 | W | → | VDD03R47 |
| VDD03R48 | R654 | 47 | W | → | VDD03R48 |
| VDD03R49 | R655 | 47 | W | → | VDD03R49 |
| VDD03R50 | R656 | 47 | W | → | VDD03R50 |
| VDD03R51 | R657 | 47 | W | → | VDD03R51 |
| VDD03R52 | R658 | 47 | W | → | VDD03R52 |
| VDD03R53 | R659 | 47 | W | → | VDD03R53 |
| VDD03R54 | R660 | 47 | W | → | VDD03R54 |
| VDD03R55 | R661 | 47 | W | → | VDD03R55 |
| VDD03R56 | R662 | 47 | W | → | VDD03R56 |
| VDD03R57 | R663 | 47 | W | → | VDD03R57 |
| VDD03R58 | R664 | 47 | W | → | VDD03R58 |
| VDD03R59 | R665 | 47 | W | → | VDD03R59 |
| VDD03R60 | R666 | 47 | W | → | VDD03R60 |
| VDD03R61 | R667 | 47 | W | → | VDD03R61 |
| VDD03R62 | R668 | 47 | W | → | VDD03R62 |
| VDD03R63 | R669 | 47 | W | → | VDD03R63 |
| VDD03R64 | R670 | 47 | W | → | VDD03R64 |
| VDD03R65 | R671 | 47 | W | → | VDD03R65 |
| VDD03R66 | R672 | 47 | W | → | VDD03R66 |
| VDD03R67 | R673 | 47 | W | → | VDD03R67 |
| VDD03R68 | R674 | 47 | W | → | VDD03R68 |
| VDD03R69 | R675 | 47 | W | → | VDD03R69 |
| VDD03R70 | R676 | 47 | W | → | VDD03R70 |
| VDD03R71 | R677 | 47 | W | → | VDD03R71 |
| VDD03R72 | R678 | 47 | W | → | VDD03R72 |
| VDD03R73 | R679 | 47 | W | → | VDD03R73 |
| VDD03R74 | R680 | 47 | W | → | VDD03R74 |
| VDD03R75 | R681 | 47 | W | → | VDD03R75 |
| VDD03R76 | R682 | 47 | W | → | VDD03R76 |
| VDD03R77 | R683 | 47 | W | → | VDD03R77 |
| VDD03R78 | R684 | 47 | W | → | VDD03R78 |
| VDD03R79 | R685 | 47 | W | → | VDD03R79 |
| VDD03R80 | R686 | 47 | W | → | VDD03R80 |
| VDD03R81 | R687 | 47 | W | → | VDD03R81 |
| VDD03R82 | R688 | 47 | W | → | VDD03R82 |
| VDD03R83 | R689 | 47 | W | → | VDD03R83 |
| VDD03R84 | R690 | 47 | W | → | VDD03R84 |
| VDD03R85 | R691 | 47 | W | → | VDD03R85 |
| VDD03R86 | R692 | 47 | W | → | VDD03R86 |
| VDD03R87 | R693 | 47 | W | → | VDD03R87 |
| VDD03R88 | R694 | 47 | W | → | VDD03R88 |
| VDD03R89 | R695 | 47 | W | → | VDD03R89 |
| VDD03R90 | R696 | 47 | W | → | VDD03R90 |
| VDD03R91 | R697 | 47 | W | → | VDD03R91 |
| VDD03R92 | R698 | 47 | W | → | VDD03R92 |
| VDD03R93 | R699 | 47 | W | → | VDD03R93 |
| VDD03R94 | R700 | 47 | W | → | VDD03R94 |
| VDD03R95 | R701 | 47 | W | → | VDD03R95 |
| VDD03R96 | R702 | 47 | W | → | VDD03R96 |
| VDD03R97 | R703 | 47 | W | → | VDD03R97 |
| VDD03R98 | R704 | 47 | W | → | VDD03R98 |
| VDD03R99 | R705 | 47 | W | → | VDD03R99 |
| VDD03R100 | R706 | 47 | W | → | VDD03R100 |

TO S_CVBS

1.1P-FFCs (S1/S2)

| | | | |
|--------|--------|--------|--------|
| DOWN-Y | VEIN-L | VEIN-C | VEIN-R |
| DOWN-L | VEIN-L | VEIN-C | VEIN-R |
| DOWN-C | VEIN-L | VEIN-C | VEIN-R |
| DOWN-R | VEIN-L | VEIN-C | VEIN-R |
| VEIN-L | VEIN-L | VEIN-C | VEIN-R |
| VEIN-C | VEIN-L | VEIN-C | VEIN-R |
| VEIN-R | VEIN-L | VEIN-C | VEIN-R |

V-convert section (1/1)

SCHEMATIC DIAGRAMS (30/31)
1U-3705 DIGITAL UNIT(10/11)

A
B
C
D
E
F
G
H

6

7

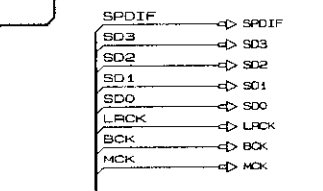
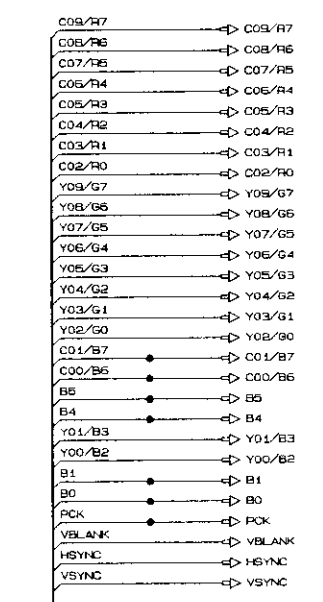
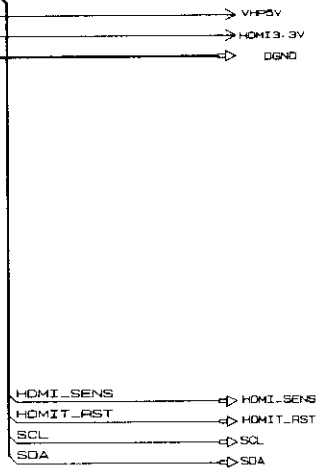
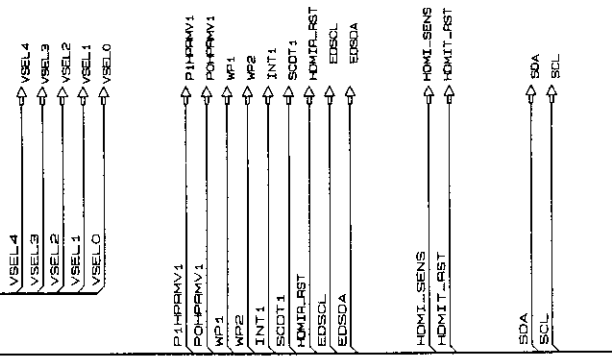
8

9

10

11

TO SUBCPU
TO 1U-3705(8/11)



IC702
LC4064V-75TN100C

1U-3705
DIGITAL_UNIT
(11/11)

BUS SW SECTION(1/1)

SCHEMATIC DIAGRAMS (31/31)
1U-3705 DIGITAL UNIT(11/11)

A

B

C

D

E

F

G

H