

HDMI IN SECTION(1/2)

SCHEMATIC DIAGRAMS (1/7)
1U-3757 D.VIDEO UNIT (1/7)
HDMI IN SECTION(1/2)
(For ALL MODEL)

A
B
C
D
E
F
G
H

TO BUS SW
TO AU-3757-1(1/7)

TO AUDIOPLD
TO AU-3757-1(1/7)

SCHEMATIC DIAGRAMS (2/7)

1

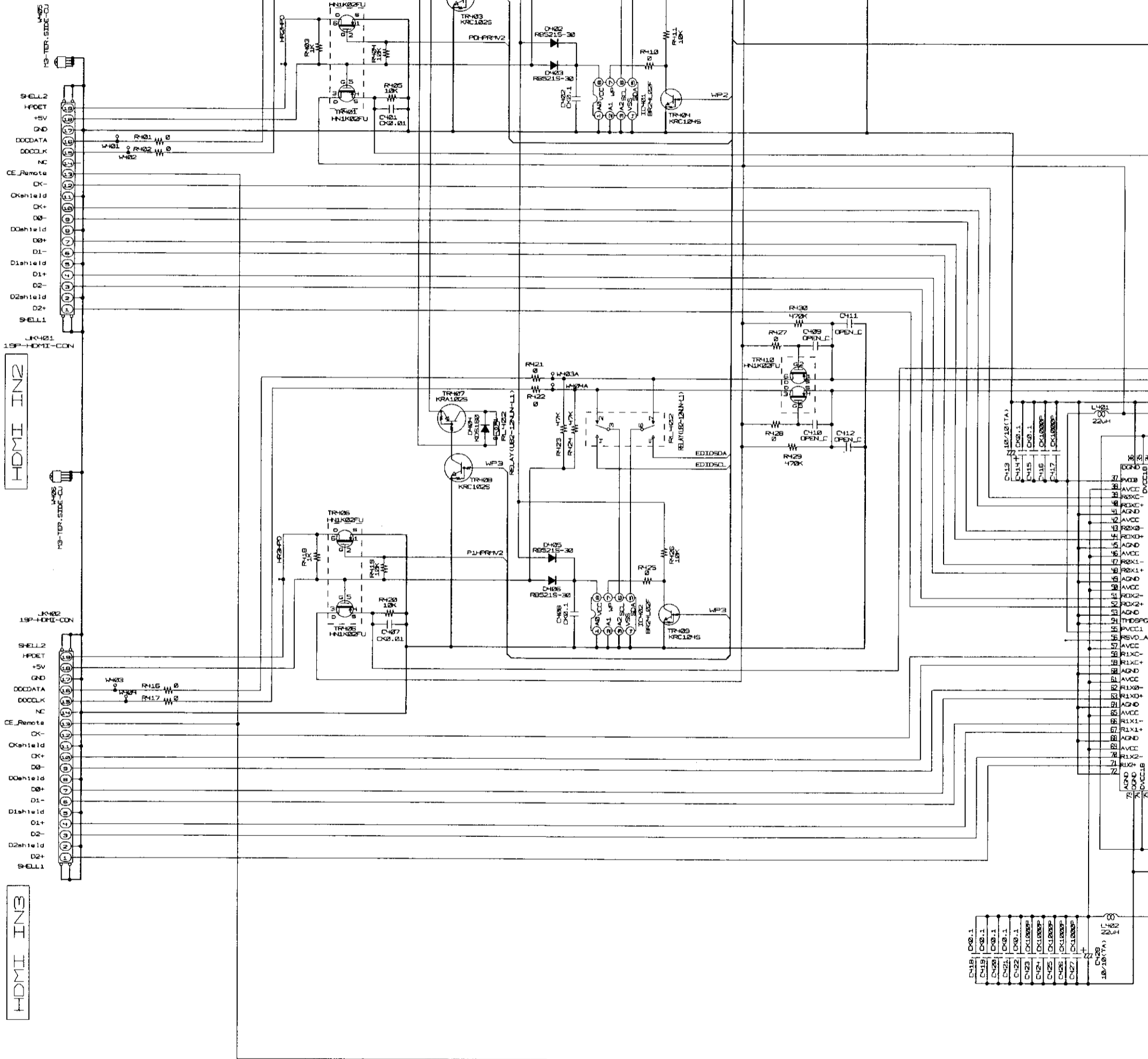
2

3

4

5

6



HDMI IN2

HDMI IN3

C413	10µ/16V(TA)
C414	C409.1
C415	C409.1
C416	C409.1
C417	C409.1
C418	C409.1
C419	C409.1
C420	C409.1
C421	C409.1
C422	C409.1
C423	C409.1
C424	C409.1
C425	C409.1
C426	C409.1
C427	C409.1
C428	10µ/16V(TA)
C429	10µ/16V(TA)
C430	10µ/16V(TA)
C431	10µ/16V(TA)
C432	10µ/16V(TA)
C433	10µ/16V(TA)
C434	10µ/16V(TA)
C435	10µ/16V(TA)
C436	10µ/16V(TA)
C437	10µ/16V(TA)
C438	10µ/16V(TA)
C439	10µ/16V(TA)
C440	10µ/16V(TA)
C441	10µ/16V(TA)
C442	10µ/16V(TA)
C443	10µ/16V(TA)
C444	10µ/16V(TA)
C445	10µ/16V(TA)
C446	10µ/16V(TA)
C447	10µ/16V(TA)
C448	10µ/16V(TA)
C449	10µ/16V(TA)
C450	10µ/16V(TA)
C451	10µ/16V(TA)
C452	10µ/16V(TA)
C453	10µ/16V(TA)
C454	10µ/16V(TA)
C455	10µ/16V(TA)
C456	10µ/16V(TA)
C457	10µ/16V(TA)
C458	10µ/16V(TA)
C459	10µ/16V(TA)
C460	10µ/16V(TA)
C461	10µ/16V(TA)
C462	10µ/16V(TA)
C463	10µ/16V(TA)
C464	10µ/16V(TA)
C465	10µ/16V(TA)
C466	10µ/16V(TA)
C467	10µ/16V(TA)
C468	10µ/16V(TA)
C469	10µ/16V(TA)
C470	10µ/16V(TA)
C471	10µ/16V(TA)
C472	10µ/16V(TA)
C473	10µ/16V(TA)
C474	10µ/16V(TA)
C475	10µ/16V(TA)
C476	10µ/16V(TA)
C477	10µ/16V(TA)
C478	10µ/16V(TA)
C479	10µ/16V(TA)
C480	10µ/16V(TA)
C481	10µ/16V(TA)
C482	10µ/16V(TA)
C483	10µ/16V(TA)
C484	10µ/16V(TA)
C485	10µ/16V(TA)
C486	10µ/16V(TA)
C487	10µ/16V(TA)
C488	10µ/16V(TA)
C489	10µ/16V(TA)
C490	10µ/16V(TA)
C491	10µ/16V(TA)
C492	10µ/16V(TA)
C493	10µ/16V(TA)
C494	10µ/16V(TA)
C495	10µ/16V(TA)
C496	10µ/16V(TA)
C497	10µ/16V(TA)
C498	10µ/16V(TA)
C499	10µ/16V(TA)
C500	10µ/16V(TA)

SCHEMATIC DIAGRAMS (3/7)

1

2

3

4

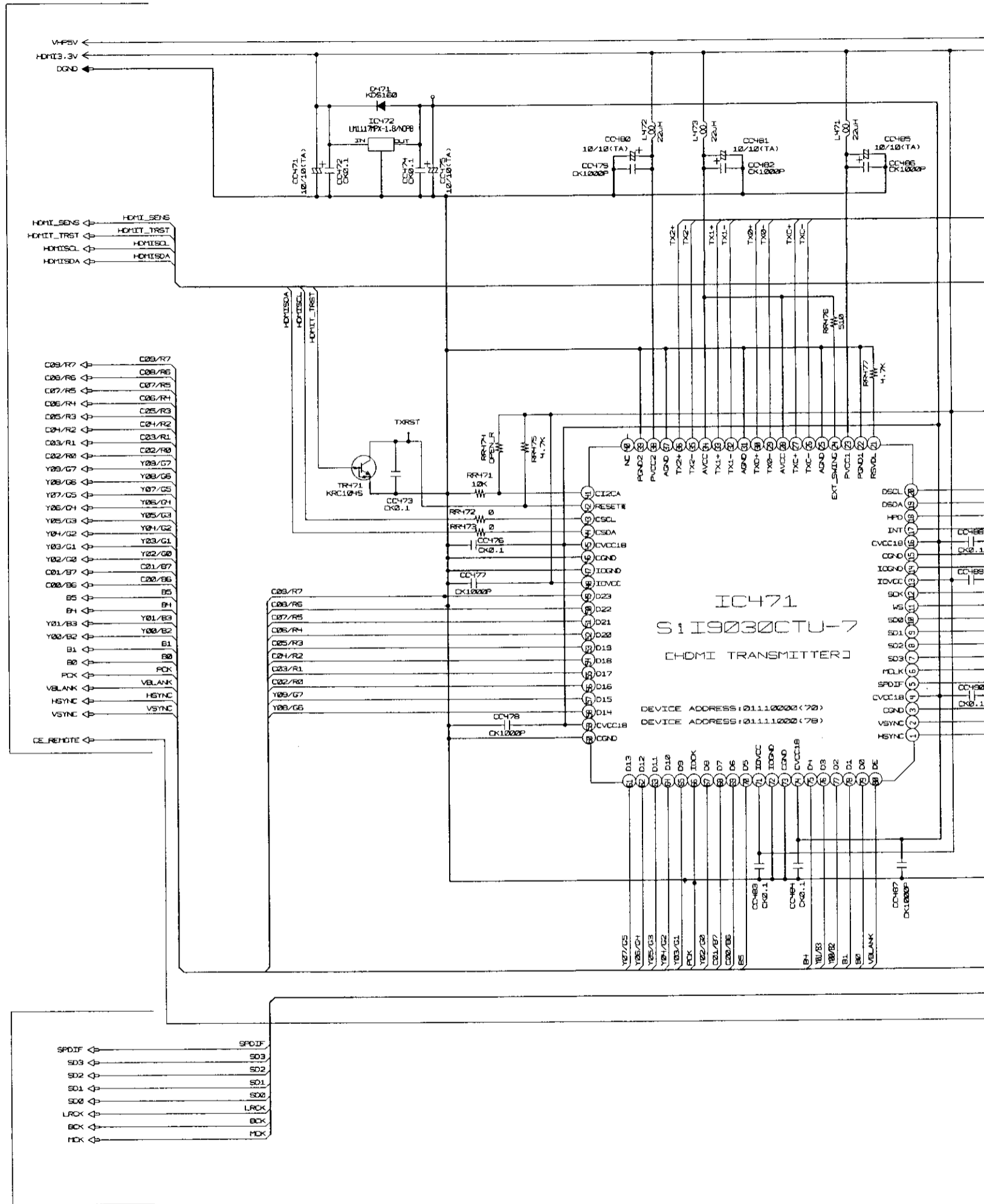
5

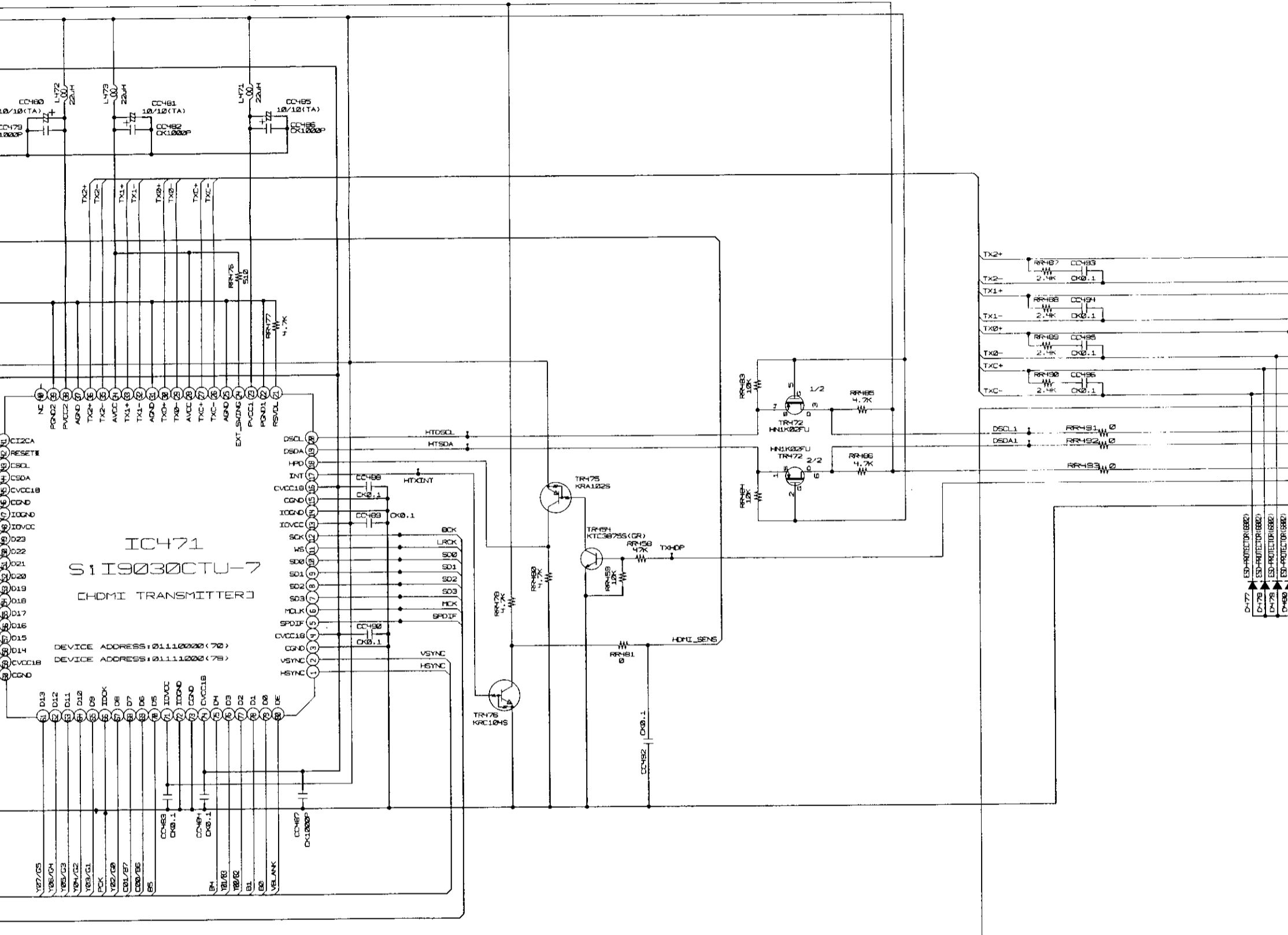
TO BUS SW

TO 1U-3757-1(6/7)

TO AUDIOPLD

TO 1U-3757-1(7/7)





HDMI OUT SECT

7

8

9

10

11

A

B

C

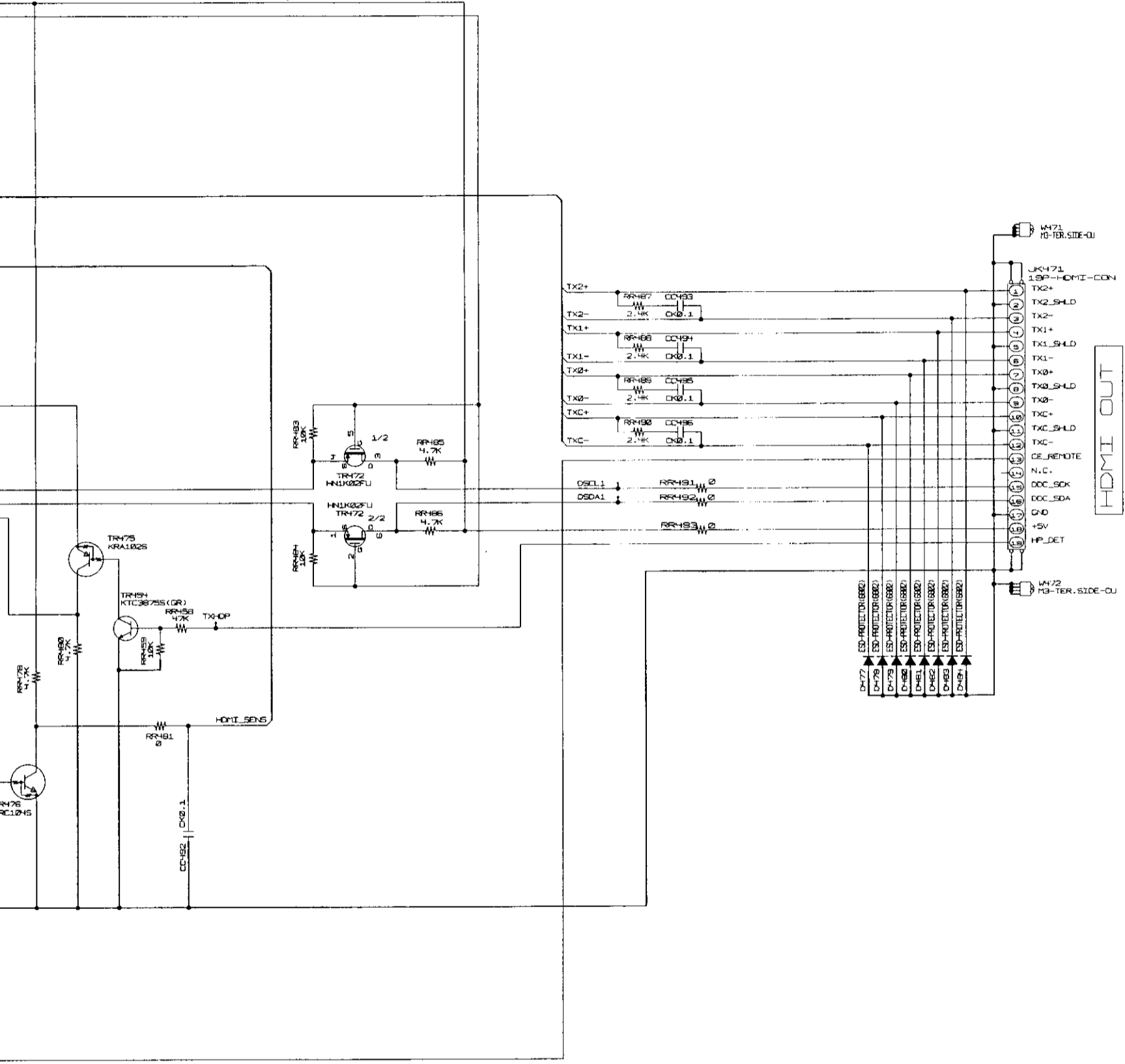
D

E

F

G

H



HDMI OUT SECTION (1/1)

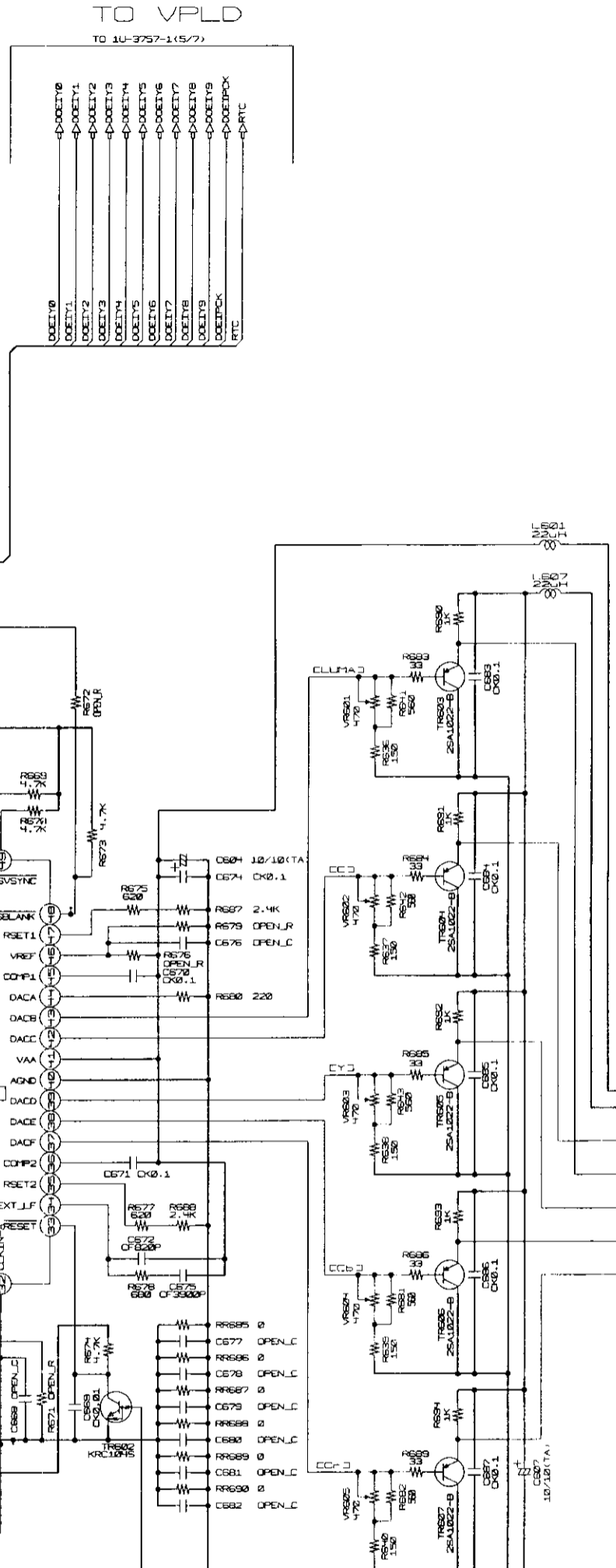
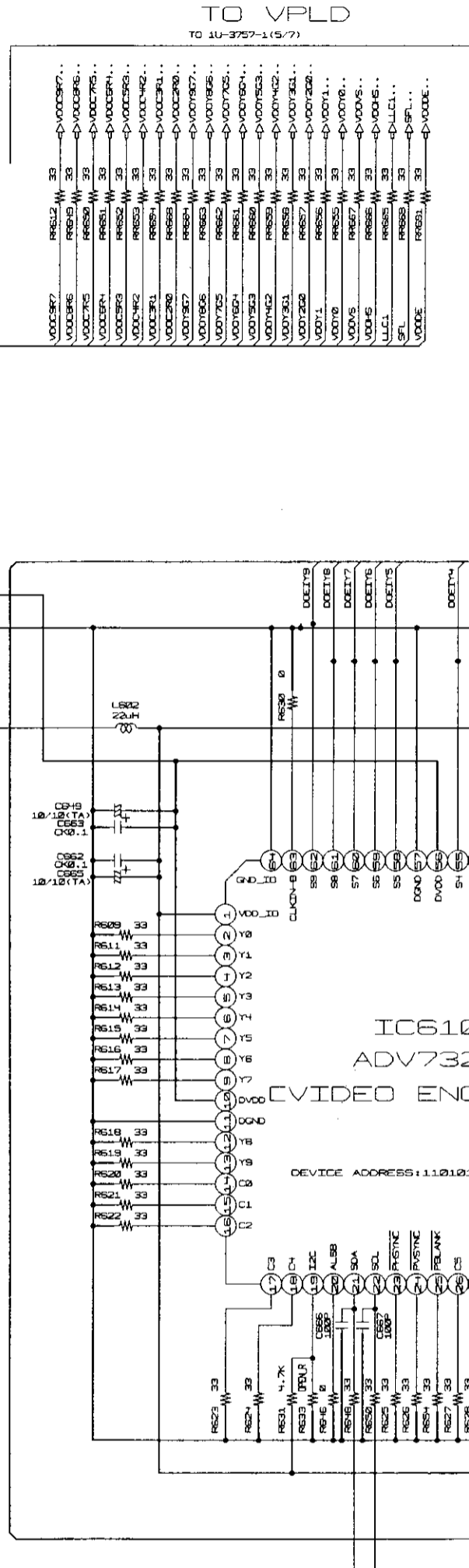
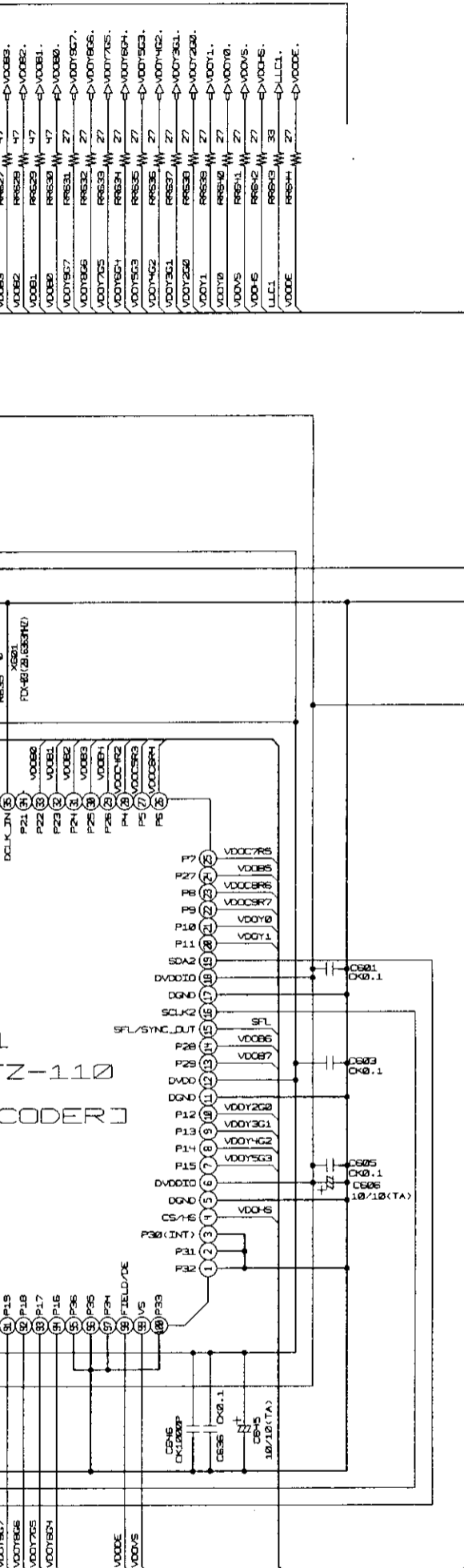
SCHEMATIC DIAGRAMS (3/7)

1U-3757 D.VIDEO UNIT (3/7)

HDMI OUT SECTION(1/1)

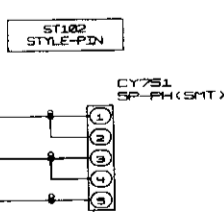
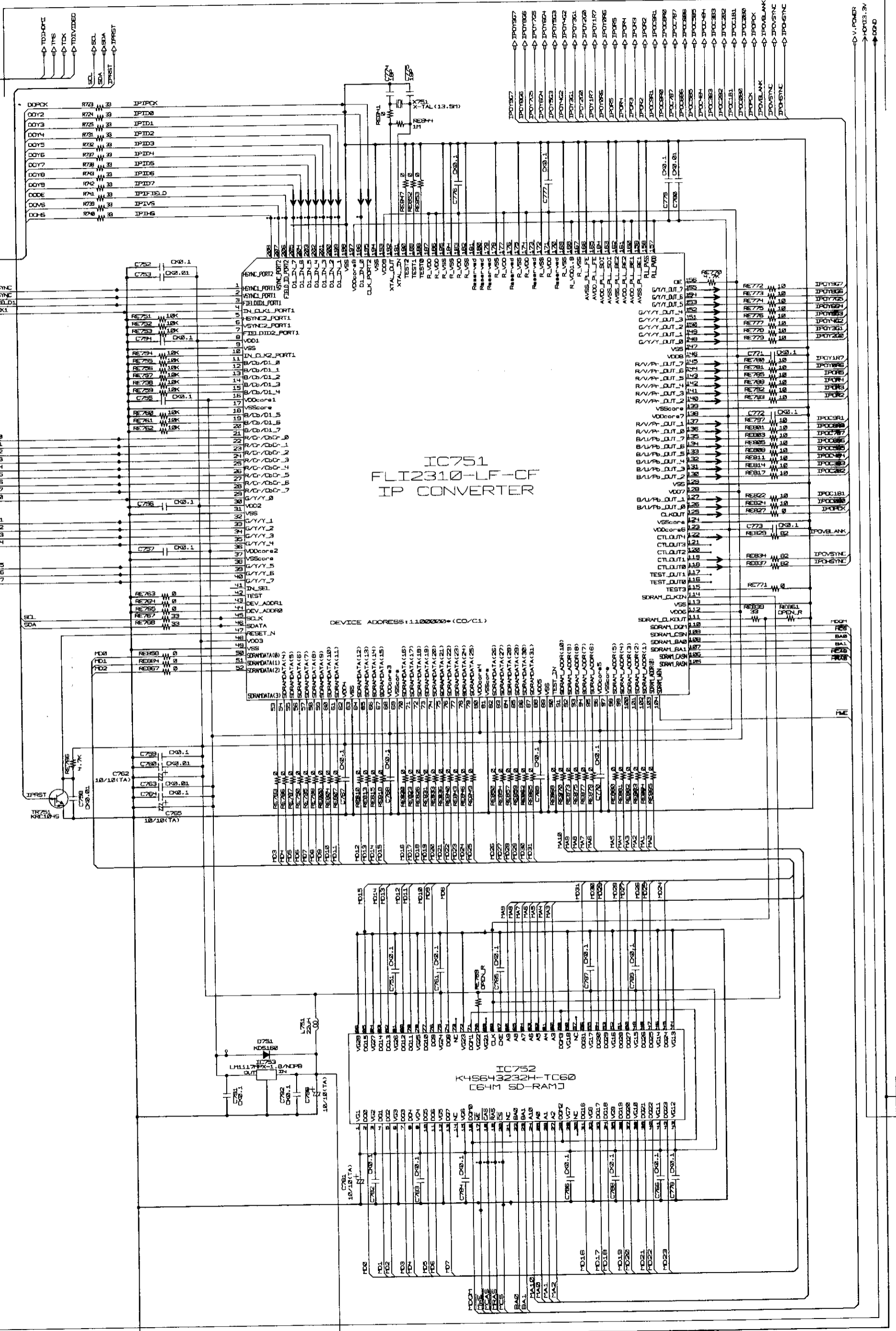
(For ALL MODEL)

SW



V. CONVERT SECTION (1/1)
SCHEMATIC DIAGRAM
1U-3757 D.VIDEO UNIT
V.CONVERT SECTION(1/1)
(For ALL MODEL)

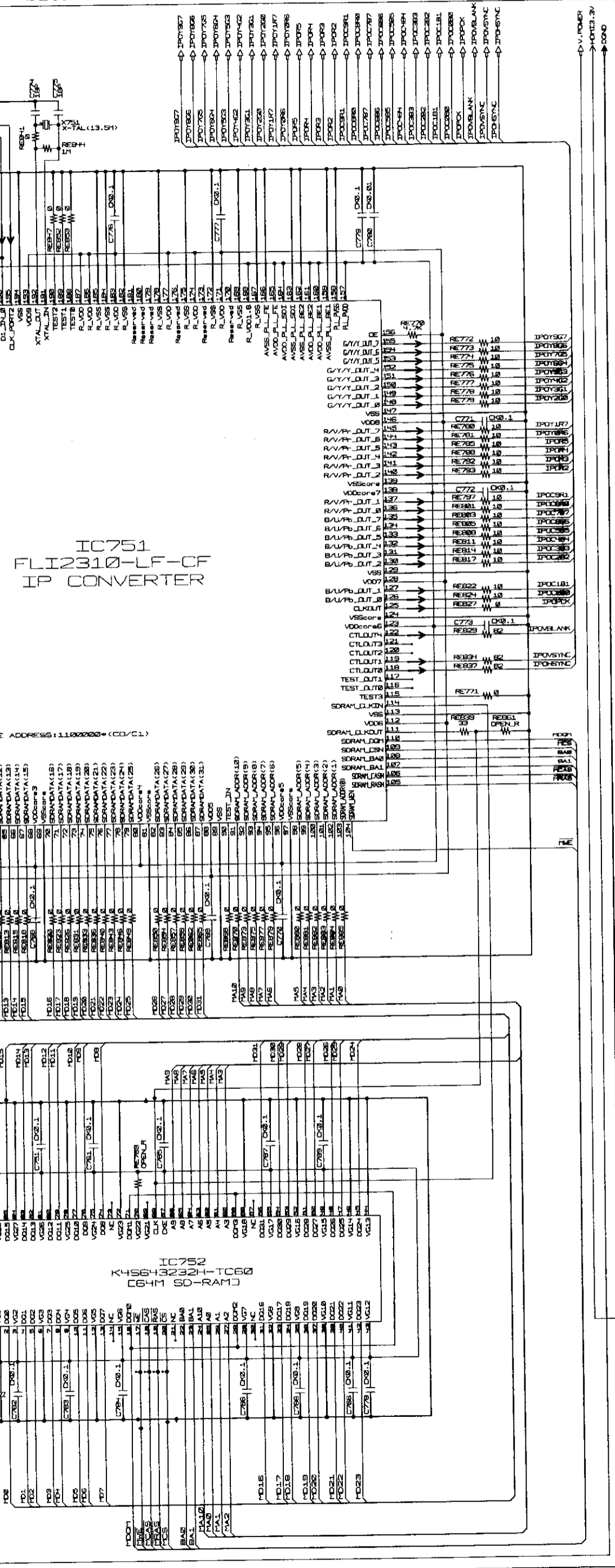
TO BUS SW
TO 1U-3757-1(6/7)



I/P CON

SCHEMA
 1U-3757 D.
 I/P CONVERT S
 (For ALL MOD

TO BUS SW
TO 1U-3757-1(6/7)



I/P CONVERT SECTION

SCHEMATIC DIAGRAMS (5/7)
1U-3757 D.VIDEO UNIT (5/7)
VP CONVERT SECTION(1/1)
(For ALL MODEL)

A
B
C
D
E
F
G
H

SCHEMATIC DIAGRAMS (6/7)

1

2

3

4

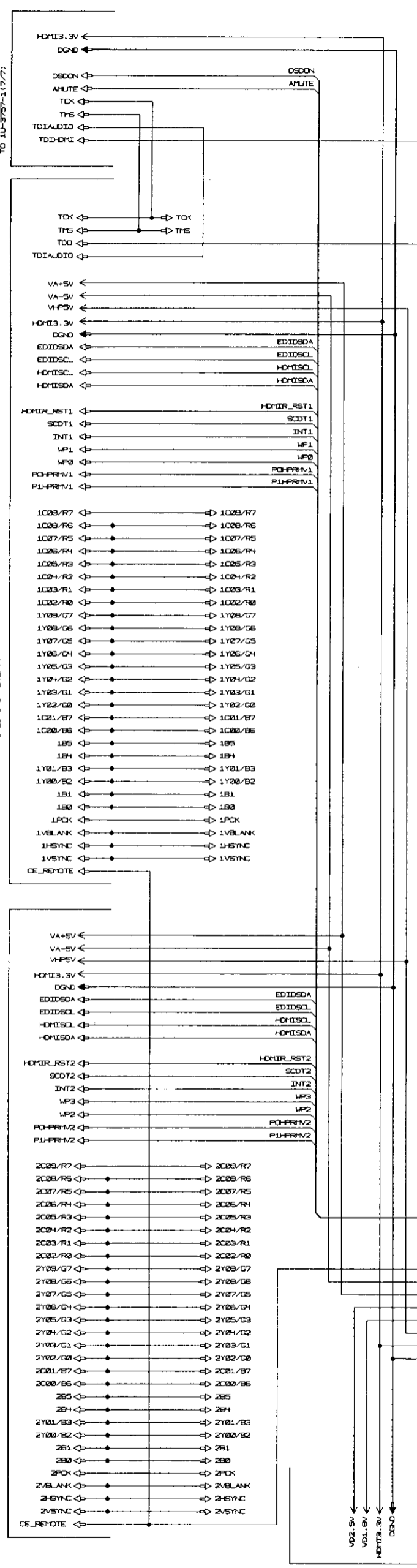
5

6

TO AUDIOPLD
TO 1U-3757-1(1/7)

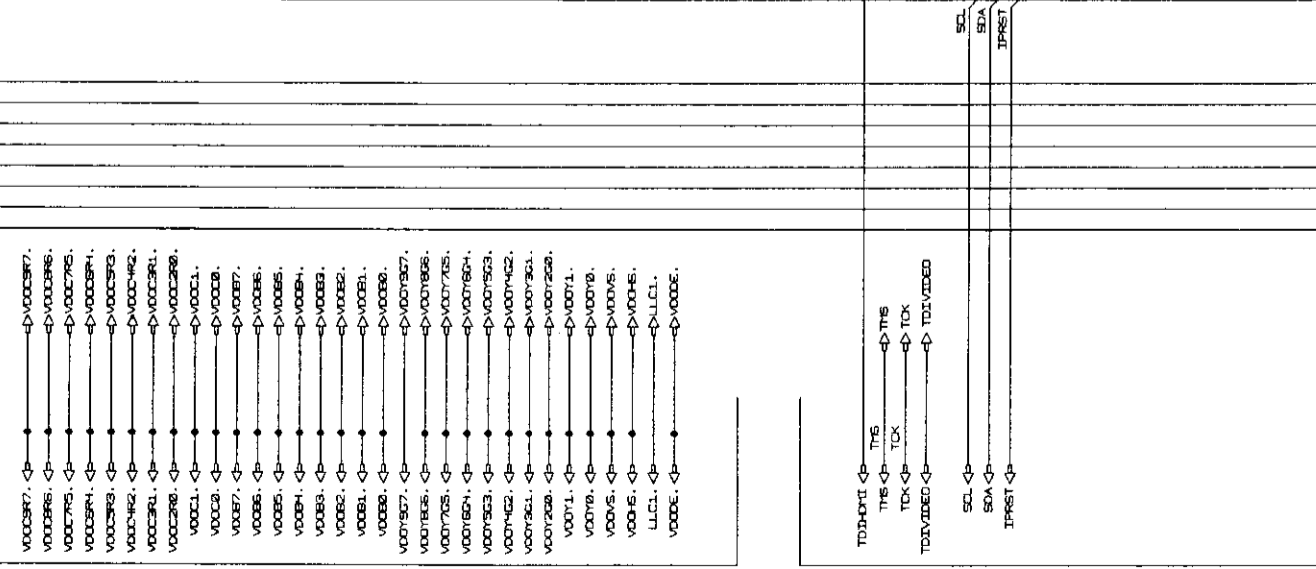
TO HDMI IN1
TO 1U-3757-1(1/7)

TO HDMI IN2
TO 1U-3757-1(2/7)



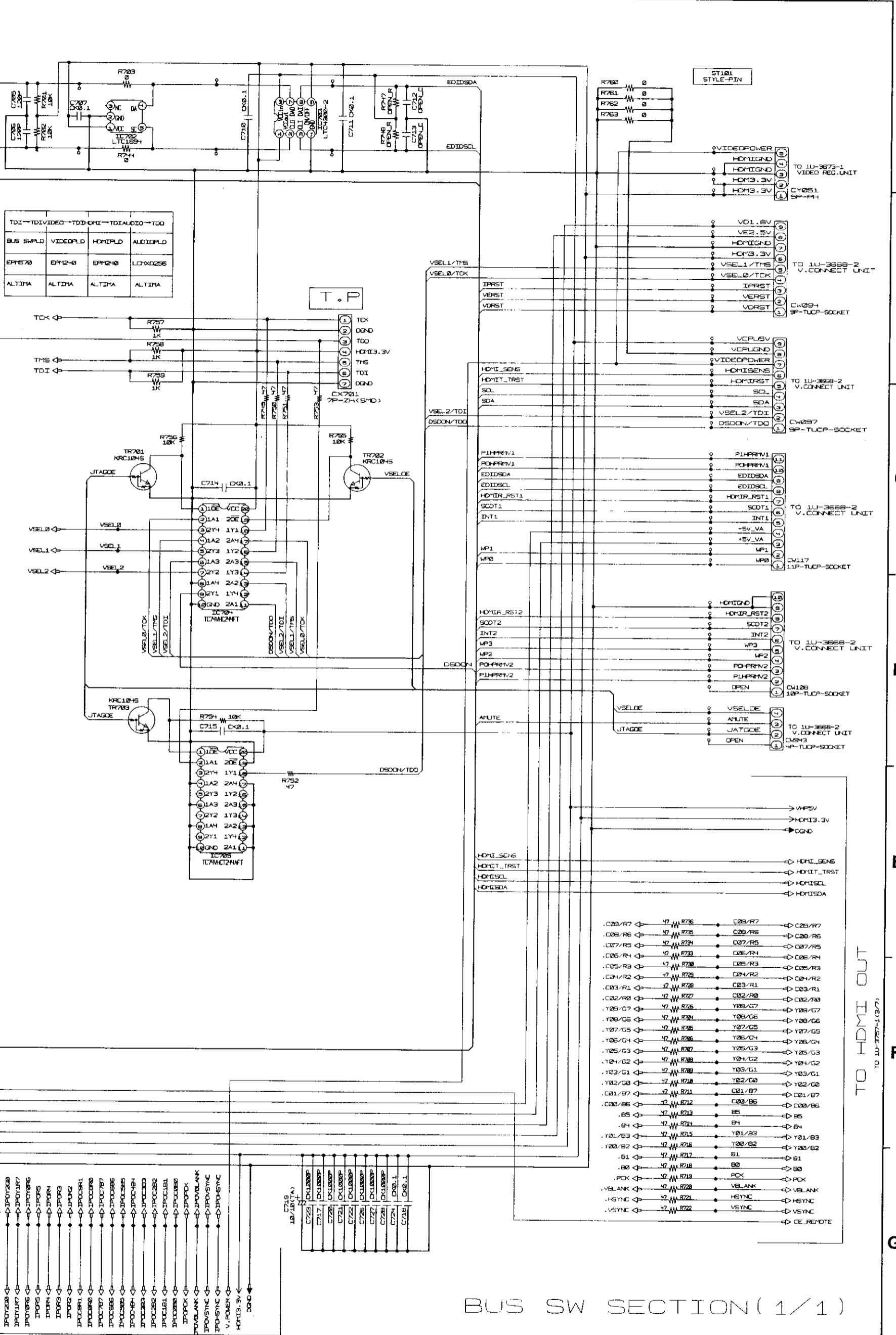
	1	2	3	4	5	6	7	8	9	10	11	12	13	14	15
A1	DQND	1C04/R2	HDMI3.3V	1C07/R5	1C05/R7	VDD19G6	VDD0E	VDD15G3	VDD12G2	VDD0Y1	VDDC5R6	VDDC5R4	VDDC4R2	HDMI3.3V	VDD0E
B1	1C03/R1	DQND	1C05/R3	1C06/R4	1C08/R6	VDD19G7	VDD16G4	VDD0S	VDD13G1	VDD0E6	VDDC5R7	VDDC7R5	VDDC5R3	VDD0E1	DQND
C1	HDMI3.3V	1C02/R0	1C00/R6	1B5	VSEL1	VSEL0	VDD17G5	VDD0V5	VDD14G2	VDD0E7	VDD10	VDD0E5	VDD0E2	VDD0E2R0	VDD0E1
D1	1Y08/G6	1Y08/G7	1B4	1Y01/B3	VSEL2	NC4	NC37	NC19	NC11	NC14	VDD0E4	VDD0E3	VDD0E2		IPD19G7
E1	1Y06/G4	1Y07/G5	1Y00/B2	1B1	NC52	NC4	NC51	NC3	NC15	NC50	NC28	NC40			IPD17G5
F1	1Y04/G2	1Y05/G3	1B0	NC36	NC27	NC47	NC31	HDMI3.3V	HDMI3.3V	NC49	NC5	NC42			IPD15G3
G1	1Y02/G0	1Y03/G1	1C01/B7	NC30	NC25	NC22	DQND	DQND	DQND	DQND	NC43	NC41	NC20		IPD13G1
H1	1VBLANK	1HSYNC	1VSYNC	NC17	1PCK	HDMI3.3V	DQND	HDMI3.3V	DQND	HDMI3.3V	HDMI3.3V	LLC1	NC9		IPD11R7
J1	2VSYNC	2HSYNC	2B0	NC34	2PCK	HDMI3.3V	HDMI3.3V	DQND	HDMI3.3V	DQND	HDMI3.3V	IPDCK	NC46		IPD9R5
K1	2VBLANK	2Y08/G7	2C02/R0	NC10	NC15	NC23	DQND	DQND	DQND	DQND	NC33	NC24	NC28		IPD7R3
L1	2B1	2Y00/B2	2C03/R1	2C04/R2	NC1	TDI	NC12	HDMI3.3V	HDMI3.3V	NC35	NC38	NC32			IPD5R1
M1	2Y01/B3	2B4	2C05/R3	2C06/R4	TDIVIDEO	NC45	NC7	1C05/R3	1C06/R4	NC8	NC18	NC21			IPD3R7
N1	2B5	2C00/B6	2C07/R5	THS	2C09/R7	NC6	NC48	NC25	NC13	NC36	NC2	IPD5VSYNC	IPD1C1B1	IPD1C2B2	IPD1C5B5
P1	HDMI3.3V	2C01/B7	TOX	2C08/R6	1PCK	1C02/R0	1C03/R1	1C04/R2	1C07/R5	1C08/R6	1C09/R7	IPDHSYNC	IPDVBANK	IPD0E0	IPD1C3E3
R1	2Y02/G0	DQND	2Y01/G2	2Y05/G3	2Y07/G5	HSYNC	1B0	1Y00/B2	1B4	1C00/B6	1Y02/G0	1Y04/G2	1Y06/G4	1Y07/G5	DQND
T1	DQND	2Y03/G1	HDMI3.3V	2Y06/G4	2Y08/G6	VSYNC	VBLANK	1B1	1Y01/B3	1B5	1C01/B7	1Y03/G1	1Y05/G3	HDMI3.3V	1Y08/G6

IC701 EPM570F256C5N (TOP VIEW)



TO DECODER
TO 1U-3757-1(4/7)

TO
TO 1U-3757-1



BUS SW SECTION (1/1)

SCHEMATIC DIAGRAMS (6/7)

1U-3757 D.VIDEO UNIT (6/7)
BUS SW SECTION(1/1)
(For ALL MODEL)

A
B
C
D
E
F
G
H

TO HDMI OUT
TO 1U-3757-1(3/7)

SCHEMATIC DIAGRAMS (7/7)

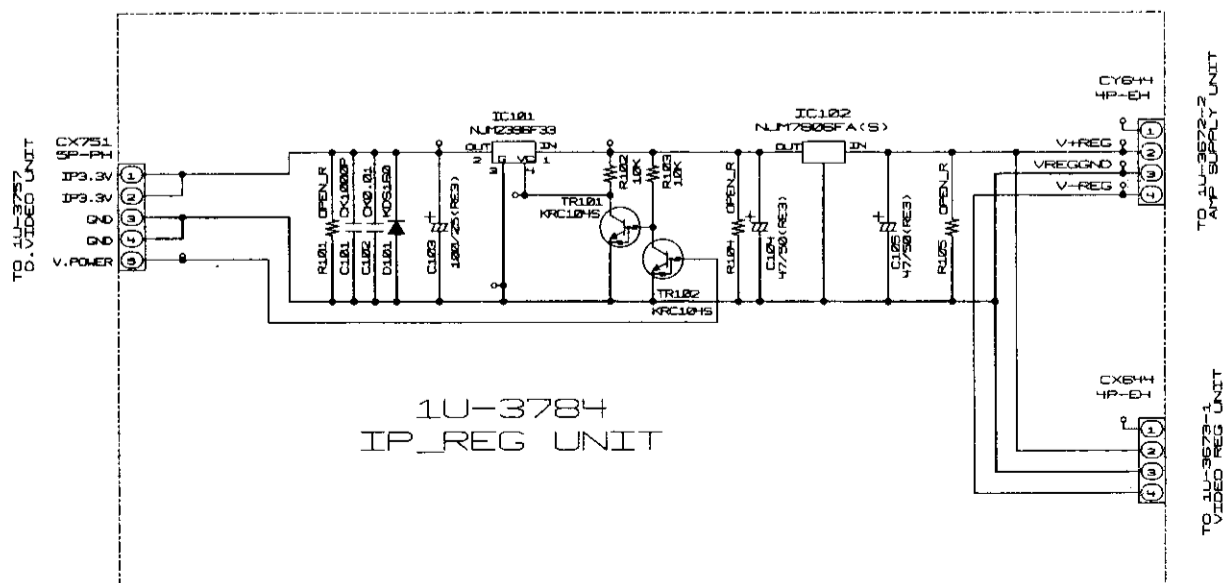
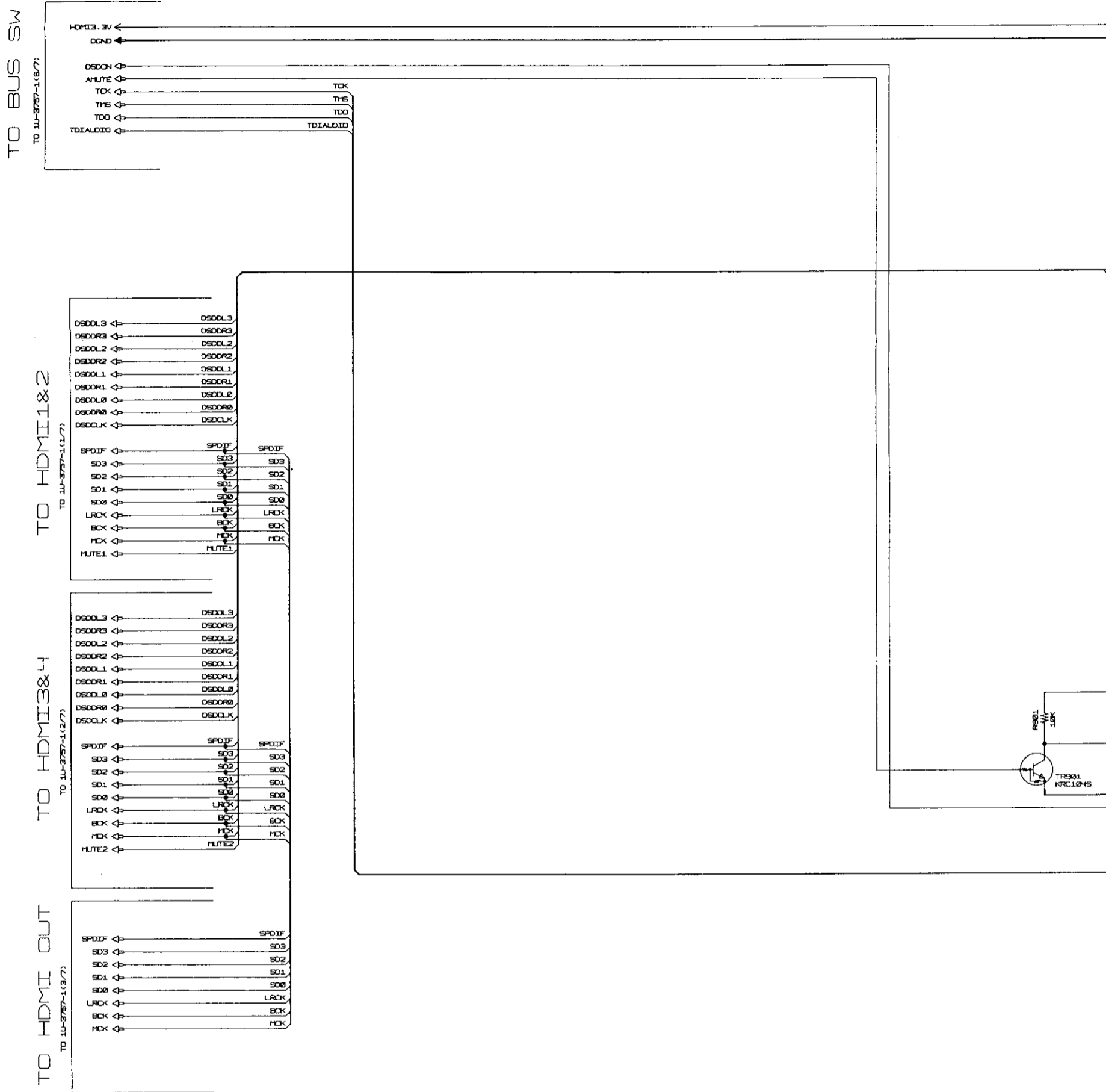
1

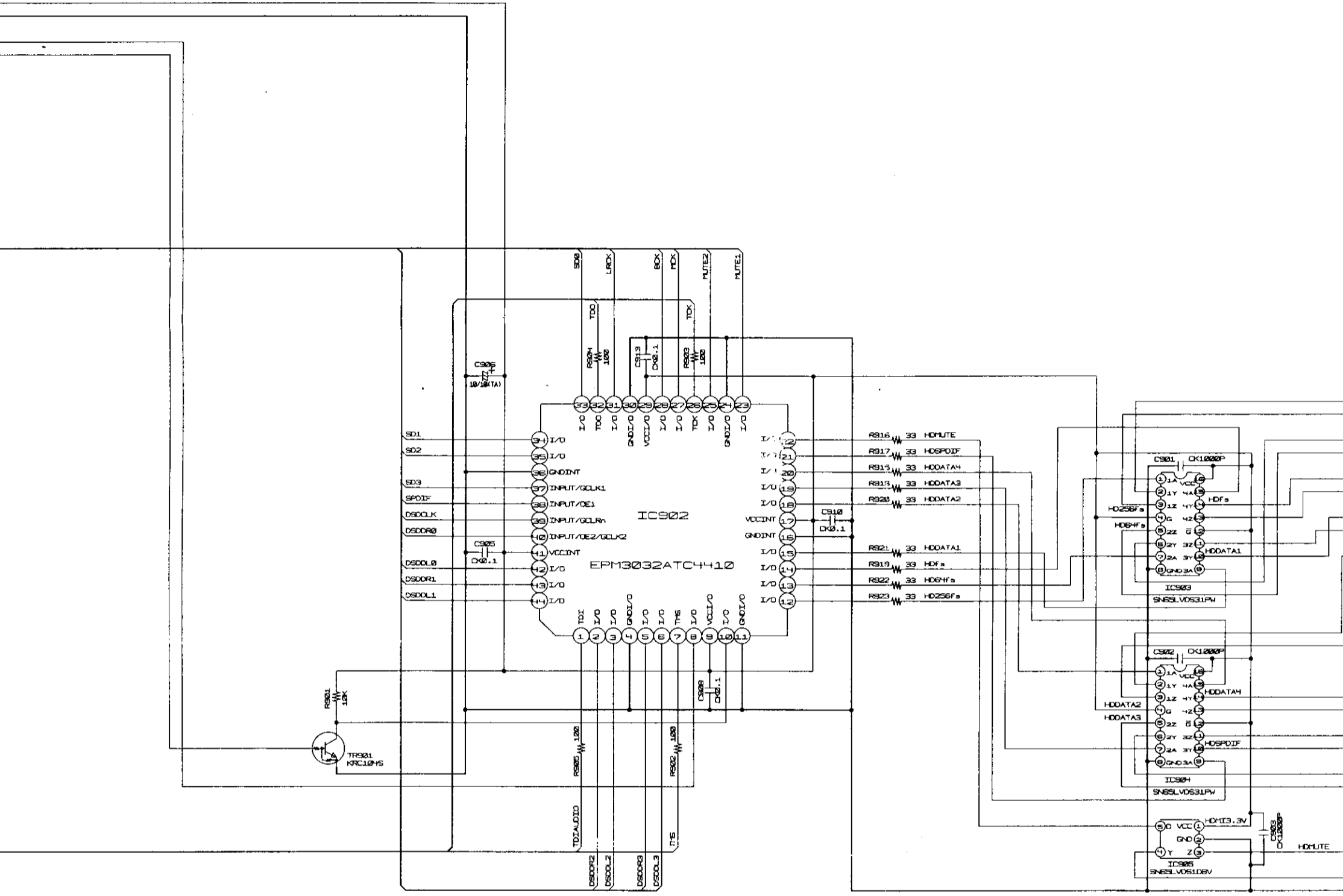
2

3

4

5

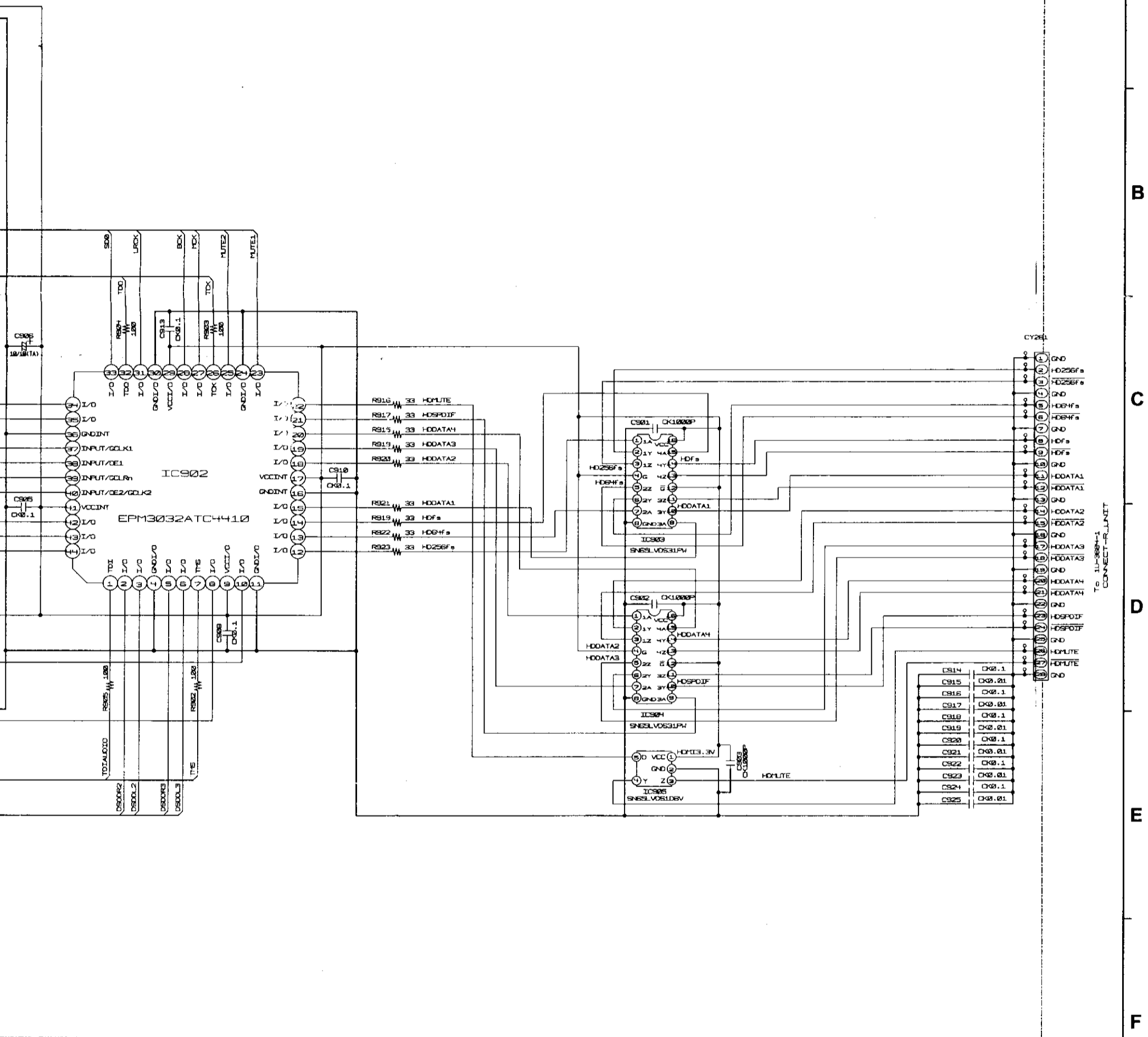




AUDIO PLD

TO 1U-3622-2
 AMP SUPPLY UNIT

TO 1U-3623-1
 VIDEO REC UNIT



AUDIO PLD SECTION

SCHEMATIC DIAGRAMS (7/7)
 1U-3757 D.VIDEO UNIT (7/7)
 AUDIO PLD SECTION(1/1)
 1U-3784 IP REG. UNIT (1/1)
 (For ALL MODEL)