

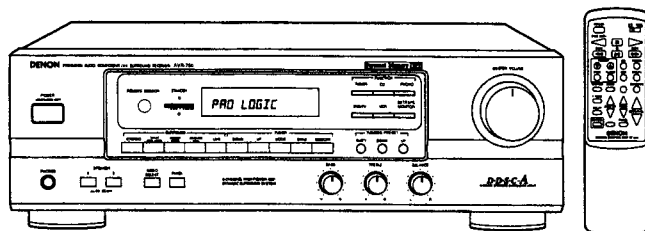
DENON

Hi-Fi AV Surround Receiver

SERVICE MANUAL

MODEL AVR-750/760/ 770/780

AV SURROUND RECEIVER



(Model: AVR-750)

The AVR-770/780 with gold panel and side wood boards.

— TABLE OF CONTENTS —

OPERATING INSTRUCTIONS	2-8
WIRE ARRANGEMENT	9
DISASSEMBLY	10
CONNECTION DIAGRAM OF MEASURING INSTRUMENTS	11
SEMICONDUCTORS	12-19
NOTE FOR PARTS LIST	20
PRINTED WIRING BOARD PARTS LIST	21-31
PRINTED WIRING BOARD PATTERNS	32,33
EXPLODED VIEW	34
PARTS LIST OF EXPLODED VIEW	35
ADDENDUM PARTS LIST	35
BLOCK DIAGRAM	36
WIRING DIAGRAM	37
REMOTE CONTROL UNIT (RC-840)	38
SCHEMATIC DIAGRAM	39-43

● Some illustrations using in this service manual are slightly different from the actual set.

NIPPON COLUMBIA CO., LTD.

• SAFETY PRECAUTIONS

CAUTION
 RISK OF ELECTRIC SHOCK
 DO NOT OPEN

CAUTION: TO REDUCE THE RISK OF ELECTRIC SHOCK, DO NOT REMOVE COVER (OR BACK). NO USER SERVICEABLE PARTS INSIDE. REFER SERVICING TO QUALIFIED SERVICE PERSONNEL.

The lightning flash with arrowhead symbol, within an equilateral triangle, is intended to alert the user to the presence of uninsulated "dangerous voltage" within the product's enclosure that may be of sufficient magnitude to constitute a risk of electric shock to persons.

The exclamation point within an equilateral triangle is intended to alert the user to the presence of important operating and maintenance (servicing) instructions in the literature accompanying the appliance.

WARNING: TO REDUCE THE RISK OF FIRE OR ELECTRIC SHOCK, DO NOT EXPOSE THIS APPLIANCE TO RAIN OR MOISTURE.

• 安全注意事項

CAUTION
 RISK OF ELECTRIC SHOCK
 DO NOT OPEN

注意：為減少觸電危險，切勿拆下機殼（或機背）。機身內並無用戶修理用零件。請交由專業修理人員修理本機。

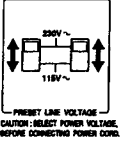
三角形內有箭頭的閃電符號旨在提醒用戶，本產品機殼內有未經絕緣的危險電壓，其幅度足以使人觸電而發生危險。

三角形內加感嘆號旨在提醒用戶，有重要的操作與維修說明書配合本機。

警告：為減少著火或觸電危險，切勿讓本機受雨淋濕或受潮。

Make the following settings before connecting the components.
 連接各設備之前請先進行下列設定。

- Setting the line voltage (AVR-750/770)
- 設定電源電壓 (AVR-750/770)



- The customer can set the VOLTAGE SELECTORS on the back panel for appropriate line voltage by using a screwdriver.
- Do not use excessive force in setting the VOLTAGE SELECTOR KNOB — you may damage it.
- If the VOLTAGE SELECTOR KNOB does not move smoothly, contact your store of purchase.
- 用戶可利用螺絲起子將機背的VOLTAGE SELECTORS (電壓選擇器) 設定到適當的電壓電壓。
- 旋轉電壓選擇器時請勿太用力，以免損壞。
- 如果電壓選擇器旋轉不順，請向你購入本機的商號查詢。

CAUTION:

- Be sure to set both voltage selectors to same position.
- 各電壓選擇器均須設定到同樣的位置。

NOTE ON USE

<p>• Avoid high temperatures. Allow for sufficient heat dispersion when installed on a rack.</p>	<p>• Keep the set free from moisture, water, and dust.</p>	<p>• Do not let foreign objects in the set.</p>
<p>• Handle the power cord carefully. Hold the plug when unplugging the cord.</p>	<p>• Unplug the power cord when not using the set for long periods of time.</p>	<p>• Do not let insecticides, benzene, and thinner come in contact with the set.</p>
<p>• Handle the power cord carefully. Hold the plug when unplugging the cord.</p>	<p>• Unplug the power cord when not using the set for long periods of time.</p>	<p>• Do not let insecticides, benzene, and thinner come in contact with the set.</p>
<p>• Handle the power cord carefully. Hold the plug when unplugging the cord.</p>	<p>• Unplug the power cord when not using the set for long periods of time.</p>	<p>• Unplug the power cord when not using the set for long periods of time.</p>

使用注意事項

<p>防止高溫</p> <ul style="list-style-type: none"> • 勿將本機放置於受烈日曝曬或靠近發熱器材的位置。 	<p>注意濕汽、水和塵</p> <ul style="list-style-type: none"> • 勿將本機放置於溫度很高或多塵的位置。花籃或其它有水的物件均不宜置在本機上方。 	<p>勿讓雜物掉入機內</p> <ul style="list-style-type: none"> • 特別要留意勿讓針、髮夾、髮帶等進入本機。
<p>機架/機箱安裝注意</p> <ul style="list-style-type: none"> • 避免將本機裝於密封的機架內。 • 裝於機架或機箱時，要配備足夠大的通風孔，以加強散熱。 	<p>當你外出時</p> <ul style="list-style-type: none"> • 長時間不用本機時，例如外出旅行時，須將插頭拔離電源插座。 	<p>保護機殼</p> <ul style="list-style-type: none"> • 避免在本機附近噴灑殺蟲劑，也勿用汽油、天拿水或其它溶劑性清潔劑。因這類液體易引起漆面打或褪色改變。抹塵要用軟布。在用化學處理過的布擦抹時請小心遵守說明書規定。
<p>留意電源線</p> <ul style="list-style-type: none"> • 從插頭拔出插頭時切勿拉電源線，應握住插頭將其拔出。 	<p>備有通風孔的機殼</p> <p>勿堵塞機殼的通風孔</p> <ul style="list-style-type: none"> • 堵塞通風孔會損壞本機。 • 各通風孔對本機內部散熱異常重要，必須特別留意，若通風孔有物件阻擋，就會使機內溫度升得供高。 	<p>勿打開機殼</p> <ul style="list-style-type: none"> • 打開機殼頂蓋或底蓋，及伸手入機殼內部是危險的。切勿打開機殼。如果本機表現有不妥當時，宜立即拔下電源插頭，再與購入本機之商店或鄰近經銷商聯絡。

■ We greatly appreciate your purchase of the AVR-750/760/770/780.
 ■ To be sure you take maximum advantage of all the features the AVR-750/760/770/780 has to offer, read these instructions carefully and use the set properly. Be sure to keep this manual for future reference should any questions or problems arise.

"SERIAL NO. _____"
 PLEASE RECORD UNIT SERIAL NUMBER ATTACHED TO THE REAR OF THE CABINET FOR FUTURE REFERENCE"

TABLE OF CONTENTS

1 Introduction	4	4-6 Recording the program source	10
2 Connections		4-7 Front panel display	10
2-1 Connecting the audio components	5	4-8 Using the surround function	10-12
2-2 Speaker system connections	6	5 Listening to the radio	
2-3 Connecting the video components	6	5-1 Setting the frequency step	12
2-4 Connecting the antenna terminals	7	5-2 Auto preset memory	12
3 Remote Control Unit	7, 8	5-3 Auto tuning	12
4 Operations		5-4 Manual tuning	13
4-1 Preparations for playback	8	5-5 Preset memory	13
4-2 Playing the program source (Stereo playback)	9	5-6 Recalling preset stations	13
4-3 Simulcast playback	9	6 Initialization of the Microprocessor	13
4-4 Using the muting function	9	7 Last function memory	14
4-5 Listen with headphones	9	8 Troubleshooting	14
		9 Specifications	15

ACCESSORIES

Check that the following parts are included in addition to the main unit:

① Operating instructions	1	④ AM loop antenna	1
② Remote control unit (RC-840)	1	⑤ FM indoor antenna	1
③ RSP/AA batteries	2	⑥ Plug adaptor	1
		(AVR-750/770)	



1 INTRODUCTION

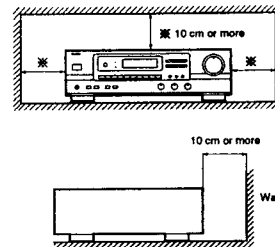
INSTALLATION PRECAUTIONS

Using this receiver or other electronic equipment containing microprocessors simultaneously with a tuner or TV may result in noise in the sound or picture.

If this should happen, take the following steps:

- Install this unit as far as possible from the tuner or TV set.
- Keep the antenna lines of the tuner or TV as far as possible from the receiver's power cord and connection cables.
- This problem is especially frequent when using indoor antennas. We recommend using outdoor antennas and 75 Ω/ohms coaxial cables.

For heat dispersal, leave at least 10 cm of space between the top, back and sides of this unit and the wall or other components.



CAUTION:
 Whenever the POWER operation switch is in the OFF position, the unit is still connected on AC line voltage. Please be sure to unplug the cord when you leave home for, say, a vacation.

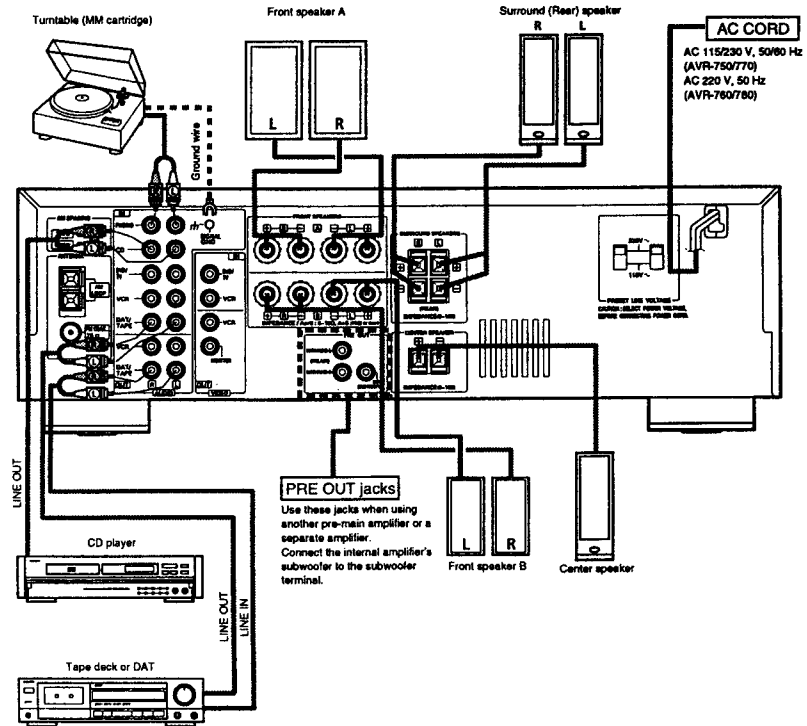
2 CONNECTIONS

- Do not plug in the power cord until all connections have been completed.
- Be sure to connect the left and right channels properly (left with left, right with right).
- Insert the plugs securely. Incomplete connections will result in the generation of noise.
- Note that binding pin plug cords together with power cords or placing them near a power transformer will result in the introduction of hum or other noise.
- Noise or humming may be generated if a connected component is used independently without turning the power of the AVR-750/760/770/780 on. If this happens, turn on the power of the AVR-750/760/770/780.

2-1 Connecting the audio components

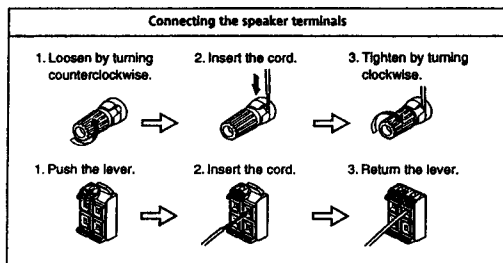
NOTE:
 This unit cannot be used with MC cartridges directly. Use a separate head amplifier or step-up transformer.

• Precautions when connecting speakers
 If a speaker is placed near a TV or video monitor, the colors on the screen may be disturbed by the speaker's magnetism. If this should happen, move the speaker away to a position where it does not have this effect.



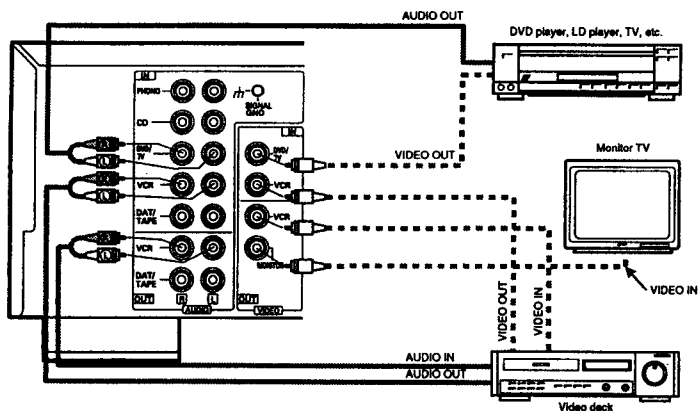
2-2 Speaker System Connections

- This unit can accommodate connections of a total of seven speakers including two sets of front speakers (A and B), one set of SURROUND (REAR) speakers, and one center speaker.
- Connect the speaker terminals with the speakers making sure that like polarities are matched (⊕ with ⊕, ⊖ with ⊖). Mismatching of polarities will result in weak central sound, unclear orientation of the various instruments, and the sense of direction of the stereo being impaired.
- When making connections, take care that none of the individual conductors of the speaker cord come in contact with adjacent terminals, with other speaker cord conductors, or with the rear panel.
- Speaker Impedance**
 - When speaker systems A and B are used separately, speakers with an impedance of from 8 to 16 Ω/ohms can be connected.
 - When using with two pairs of speakers (A + B), use speakers with an impedance of 16 Ω/ohms or greater.
 - Speakers with an impedance of 8 to 16 Ω/ohms can be connected for use as center and SURROUND (REAR) speakers.
 - The protection circuit may operate or damage may occur when speakers with an impedance outside of the above range are used.

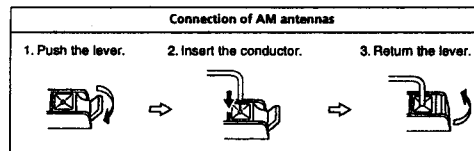
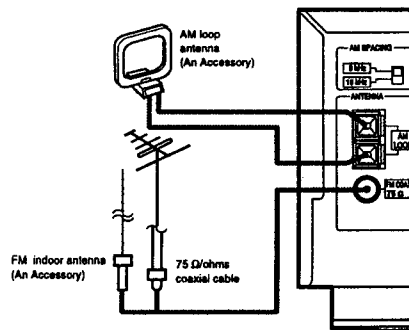


2-3 Connecting the video components

To connect the video signal, connect using a 75 Ω/ohms video signal cable cord. Using an improper cable can result in a drop in sound quality.



2-4 Connecting the antenna terminals



ANTENNA INSTALLATION

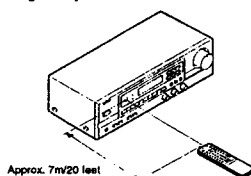
- FM ANTENNA**
The supplied FM antenna can be used inside wooden houses for receiving local FM stations and other strong FM signals. Stretch out the ends of the antenna and mount the antenna on the wall or ceiling where optimum reception is achieved. A indoor FM antenna may not consistently ensure stable reception, due to environment changes. In such cases, the indoor FM antenna should only be used temporarily until an outdoor FM antenna has been installed. When connecting an outdoor FM antenna, the use of 75 Ω/ohms coaxial cable (3C - 2V, 5C - 2V) is strongly recommended.
 - AM ANTENNA**
Tune in an AM station (refer to page 12, 13) listen to the sound, then install the antenna in a position as far from the set as possible in which distortion and noise are minimum. Good reception of AM stations is not possible if the loop antenna is not connected or if it is touching metal objects.
- NOTES**
- This receiver has a full back-up system. When the power is turned on, the INPUT SELECTOR buttons are set to the last mode set before the power was turned off.
 - When using this receiver in close proximity to video equipment (TV, VCR, DVD, etc.), noise may be generated in AM broadcasts. To avoid this, keep the receiver as far away from other video components as possible, or place the AM loop antenna where noise is reduced. If the noise is not reduced, turn off the power of the video components when listening to AM broadcasts.

Note to CATV system installer:
This reminder is provided to call the CATV system installer's attention to Article 820 - 40 of the NEC which provides guidelines for proper grounding and, in particular, specifies that the cable ground shall be connected to the grounding system of the building, as close to the point of cable entry as practical.

3 REMOTE CONTROL UNIT

Following the procedure outlined below, insert the batteries before using the remote control unit.

Range of operation of the remote control unit

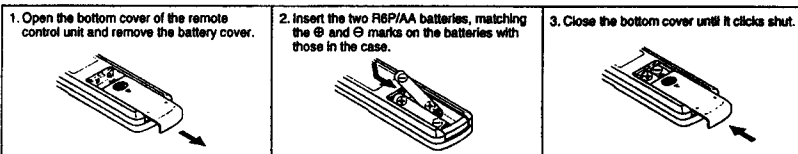


Point the remote control unit at the remote control sensor as shown on the diagram at the left.

NOTES:

- The remote control unit can be used from a straight distance of approximately 7 meters/20 feet, but this distance will shorten or operation will become difficult if there are obstacles between the remote control unit and the remote control sensor, if the remote control sensor is exposed to direct sunlight or other strong light, or if operated from an angle.
- Neon signs or other devices emitting pulse-type noise nearby may result in malfunction, so keep the set as far away from such devices as possible.

Inserting the batteries



NOTES:

- Use only AA, R6P, UM-3 batteries for replacement.
- Be sure the polarities are correct. (See the illustration inside the battery compartment.)
- Remove the batteries if the remote control transmitter will not be used for an extended period of time.
- If batteries leak, dispose of them immediately. Avoid touching the leaked material or letting it come in contact with clothing, etc. Clean the battery compartment thoroughly before installing new batteries.
- Have replacement batteries on hand so that the old batteries can be replaced as quickly as possible when the time comes.

■ System code buttons

DENON remote-controllable audio components can be controlled using this unit's remote control unit. Note that some components, however, cannot be operated with this remote control unit.

1 Set the slide switch to the position for the component to be operated (CD or DECK).

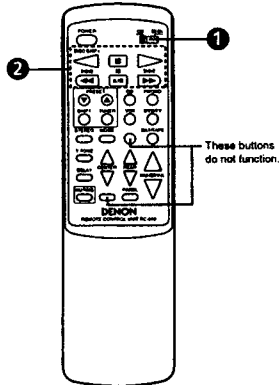
2 Use the buttons shown below to operate the component. For details, refer to the respective component's manual.

a. For CD players

CD changer, disc skip, Auto search reverse (◀), Stop (■), Play (▶), Auto search forward (▶), Pause (||)

b. For tape decks (DECK)

Reverse play (◀), Rewind (◀), Stop (■), Forward play (▶), Fast-forward (▶), Switching between decks A and B for double decks (A/B)



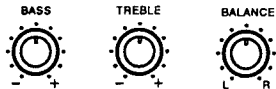
4 OPERATIONS

4-1 Preparations for playback

- Check that all connections are proper.
- Set to the minimum position.



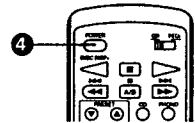
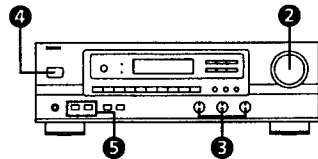
- Set to the center position.



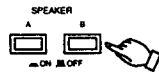
- Turn on the power. Press the POWER operation switch (button).



- ON/STANDBY**
The power turns on and "STANDBY" indicator is lit. Several seconds are required from the time the POWER operation switch is set to the ON/STANDBY position until sound is output. This is due to the built-in muting circuit that prevents noise when the POWER operation switch is turned on and off. Set the POWER operation switch to this position to turn the power on and off from the included remote control unit (RC-840).
- OFF**
The power turns off and "STANDBY" indicator is off. In this position, the power cannot be turned on and off from the remote control unit.



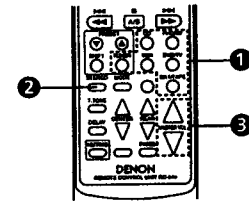
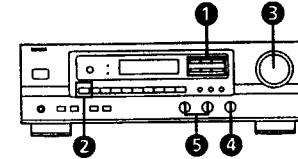
- Select the front speakers. Press the speaker A or B switch to turn the speaker on.



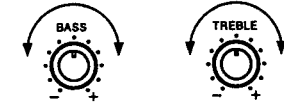
NOTE:
In the standby mode. If you lose the remote control unit, the power can be turned on by initializing the microprocessor. For the operating procedure, see: [X] INITIALIZATION OF THE MICROPROCESSOR on page 13. Note that this operation will clear the last function memory.

4-2 Playing the program source (Stereo playback)

- Select the source to be played.
- Select the STEREO mode.
- Adjust the MASTER VOLUME control.
- Adjust the front left/right BALANCE. Turn the control counterclockwise to reduce the volume of the right channel, clockwise to reduce the volume of the left channel.



- Adjust the BASS and TREBLE.



Turn the control clockwise to increase the bass, counterclockwise to decrease it.

Turn the control clockwise to increase the treble, counterclockwise to decrease it.

4-3 Simulcast playback

Use this switch to monitor a video source other than the audio source.

- Press and hold the VIDEO SELECT button until the desired source appears on the display.

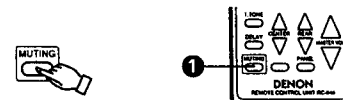


- Cancelling simulcast playback
- Press the VIDEO SELECT button once more.
- Select the VIDEO function.

4-4 Using the muting function

Use this to turn off the audio output temporarily.

- Press the MUTING button.
- Cancelling MUTING mode. Press the MUTING button again.

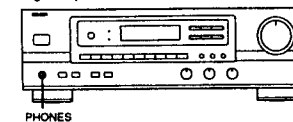


This function can only be set from the remote control unit. The STANDBY LED flashes when the muting function is set.

4-5 Listen with headphones

Connect the headphones to the PHONES jack. When listening with headphones privately, set A, B SPEAKER switches and the superwoofer's power switch to the OFF position and set the stereo surround mode.

NOTE:
To prevent hearing loss, do not raise the volume level excessively when using headphones.



4-6 Recording the program source
(recording the source currently being monitored)

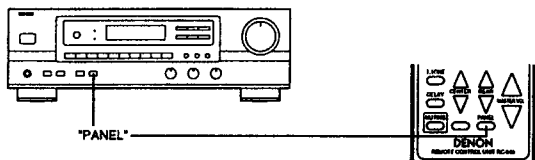
- Follow steps ① to ④ under "Playing the program source". (refer to page 9)
- Start recording on the tape or video deck. For instructions, refer to the component's operating instructions.

Simultaneous recording

The signals of the source selected with the function selector button are output simultaneously to the DAT/TAPE and VCR REC OUT jacks. If a total of two tape and/or video decks are connected and set to the recording mode, the same source can be recorded simultaneously on both decks. In addition, if the TAPE MONITOR (DAT/TAPE) button is pressed, the audio signals from the tape deck are output to the VCR AUDIO REC OUT jacks.

4-7 Front panel display

Descriptions of the unit's operations are also displayed on the front panel display. In addition, the display can be switched to check the unit's operating status while playing a source by pressing the PANEL button.



4-8 Using the surround function

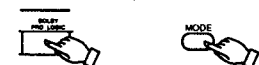
Types of surround modes and their characteristics

1	DOLBY PRO LOGIC	Use this when playing program sources recorded in Dolby Surround or Dolby Stereo.
2	CONCERT HALL	Use this setting to create the atmosphere of a concert hall. There will be no output from the center speaker.
3	LIVE	Use this setting to create the atmosphere of watching a live performance. There will be no output from the center speaker.

• Before using the surround function

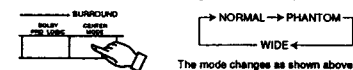
Make the following adjustments before using the surround function.

- Set the Dolby Pro Logic mode.



- Select the center mode (refer to page 11).

Select the center mode according to the center speaker.

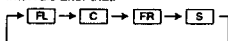


The mode changes as shown above.

- Emit the test tone.



Test tones are produced from the speakers in the order shown below, at 4 second intervals for the first two cycles, 2 second intervals after that.



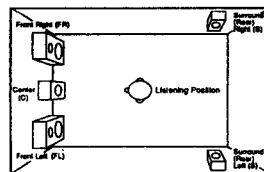
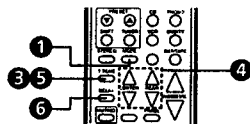
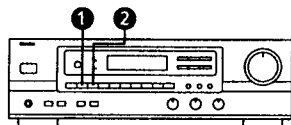
- Adjust the center and surround (rear) levels to set the volume of the speakers to the same level.



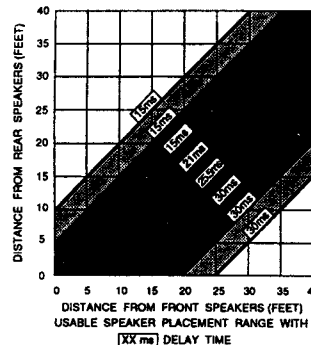
- Turn the test tone off.



- Adjust the delay time and seating position as necessary (refer to page 11).



Dolby Surround systems with Pro Logic decoding most closely replicate the Dolby Stereo theatrical experience. Only two surround speakers are necessary in the home listening environment to provide the same enveloping soundfield as multiple surround speakers in the theater.



■ PREFERRED
▨ ACCEPTABLE
□ NOT RECOMMENDED

Center Mode

Set the center mode as described below, according to the type of center speaker being used.

Normal mode: This mode is suited for an arrangement in which the center channel speaker is smaller than the left and right speakers. Signals below 100 Hz which have almost no effect on directional orientation are distributed to the left and right channels, whereas the center channel output signals greater than 100Hz. As a result, the bass of the left and right channels increases the apparent deepness of the sound.

Wide mode: This mode is suited for an arrangement in which the center channel speaker is of the same grade as the left and right speakers. The entire sound band from low region to high is output to the center channel to provide an exciting sound field for your enjoyment.

Phantom mode: Use this mode when center channel speaker is not used. A directional emphasis circuit provides signal reproduction which is electrically oriented to the center and this provides an exciting sound field for your enjoyment.

Delay Time

The optimum delay time will differ depending on the listening position. Referring to the chart at left, set the optimum delay time for your room's space and seating position. For example, when the distance from the front speakers to the listening position is 20 feet and that from the surround (rear) speakers to the listening position is 15 feet, the optimum delay time will be 21 ms. The variable range of the delay time differs depending on the mode.

Personal Memory Plus function . . . for EASY TO USE

The AVR-750/760/770/780 automatically stores the surround mode adding effects for all input sources. The corresponding surround mode is recalled automatically each time an input source is selected.

• Using the surround function

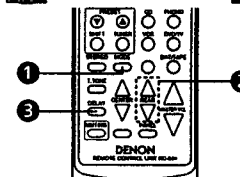
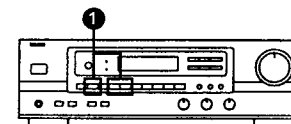
- Select the surround mode according to the input source.



- If necessary, adjust the levels.



- Adjust the parameters to the desired settings.



Manufactured under license from Dolby Laboratories Licensing Corporation. "Dolby", "Pro Logic" and the double-D symbol are trademarks of Dolby Laboratories Licensing Corporation. Copyright 1992 Dolby Laboratories, Inc. All rights reserved.

Operating Possible in the Various Surround Modes

The following is a list of the buttons and functions which can be operated during the different surround modes. Figures in parentheses indicate adjustment ranges.

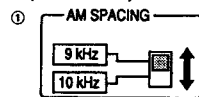
		OUTPUT	CENTER LEVEL	SURROUND (REAR) LEVEL	CENTER MODE	TEST TONE	DELAY TIME
DOLBY PRO LOGIC	NORMAL	○	○ (0 -- 24dB)	○ (0 -- 24dB)	○	○	○ (15 - 30ms)
	PHANTOM	○	X	○ (0 -- 24dB)	○	○	○ (15 - 30ms)
	WIDE	○	○ (0 -- 24dB)	○ (0 -- 24dB)	○	○	○ (15 - 30ms)
CONCERT HALL		○	X	○ (0 -- 24dB)	△*	X	○ (0 - 33ms)
LIVE		○	X	○ (0 -- 24dB)	△**	X	○ (0 - 33ms)

*1 Switches to the Dolby Pro Logic from any modes other than Dolby Pro Logic. The level of the center and surround (rear) channels can be adjusted by 2 dB step. The delay time can be set by 1.5 ms step. ○: Operation possible X: Operation not possible

• The sound may be distorted for some sources if the surround (rear) level is raised during surround playback. If this happens, lower the surround (rear) level.

5 LISTENING TO THE RADIO

5-1 Setting the frequency step (AVR-750/770)



To know the tuning frequency steps, see the Table of Tuning Frequency Steps.

TABLE OF TUNING FREQUENCY STEPS		
BAND	FM	AM
STEP AM SPACING: 9 kHz	0.05 MHz	9 kHz
STEP AM SPACING: 10 kHz	0.2 MHz	10 kHz

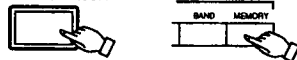
The tuning frequency steps are switchable between 9 kHz and 10 kHz for AM, between 0.05 MHz and 0.2 MHz for FM. To switch the tuning frequency steps, disconnect the power plug and set the AM SPACING switch (1) on the rear panel to the desired position. Then plug in the AC mains again.

5-2 Auto preset memory

This unit is equipped with a function for automatically searching for FM broadcast stations and storing them in the preset memory.

- Turn on the unit while holding in the MEMORY button. The unit automatically begins searching for FM broadcast stations.

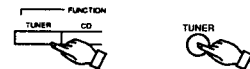
ON / STANDBY OFF



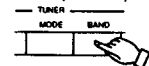
- When the first FM broadcast station is found, that station is stored in the preset memory at channel A1. Subsequent stations are automatically stored in order at preset channels A2 to A8, B1 to B8, C1 to C8, D1 to D8 and E1 to E8, for a maximum of 40 stations.

5-3 Auto tuning

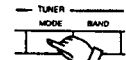
- Set the input function to "TUNER".



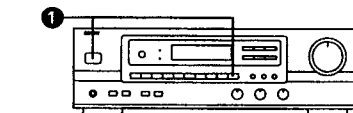
- Watching the display, press the BAND button to select the desired band (AM or FM).



- Press the MODE button to set the auto tuning mode.



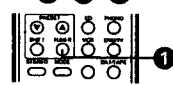
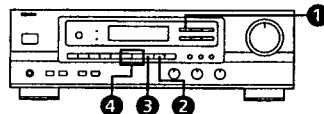
"AUTO" appears on the display.



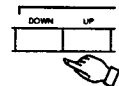
- Channel A1 is tuned in after the auto preset memory operation is completed.

NOTES:

- If an FM station cannot be preset automatically due to poor reception, use the "Manual tuning" operation to tune in the station, then preset it using the manual "Preset memory" operation.
- To interrupt this function, press the POWER operation button.



- Press the TUNING UP or DOWN button.



Automatic searching begins, then stops when a station is tuned in. If tuning does not stop at the desired station, use the "Manual tuning" operation.

5-4 Manual tuning

- Set the input function to "TUNER".
- Watching the display, press the BAND button to select the desired band (AM or FM).
- Press the MODE button to set the manual-tuning mode. Check that the display's "AUTO" indicator turns off.

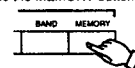
NOTES:

- When in the auto tuning mode on the FM band, the "STEREO" indicator lights on the display when a stereo broadcasts tuned in. At open frequencies, the noise is muted and the "TUNED" and "STEREO" indicators turn off.
- When the manual tuning mode is set, FM stereo broadcasts are received in monaural and the "STEREO" indicator turns off.

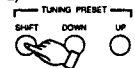
5-5 Preset memory

- Use the "Auto tuning" or "Manual tuning" operation to tune in the station to be preset in the memory.

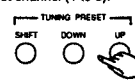
- Press the MEMORY button.



- Press the SHIFT button and select the desired memory block (A to E).

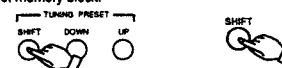


- Press the PRESET UP or DOWN button to select the desired preset channel (1 to 8).



5-6 Recalling preset stations

- Watching the display, press the SHIFT button to select the preset memory block.



- Watching the display, press the PRESET UP or DOWN button to select the desired preset channel.



6 INITIALIZATION OF THE MICROPROCESSOR

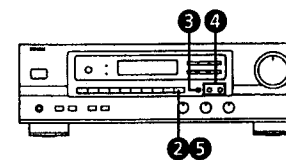
When the indication of the display is not normal or when the operation of the unit does not show the reasonable result, the initialization of the microprocessor is required by the following procedure.

- Switch off the unit using the main unit's POWER operation switch.
- Hold the following TUNER button and VIDEO SELECT button, and turn the main unit's POWER operation switch on.
- Check that the entire display is flashing with an interval of about 1 second, and release your fingers from the 2 buttons.
- Switch on the unit and the microprocessor will be initialized.

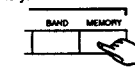
NOTE:

- When the microprocessor is reset, all the settings you have made are reset to the values set upon shipment from the factory.

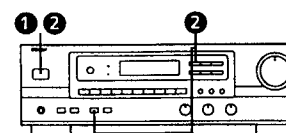
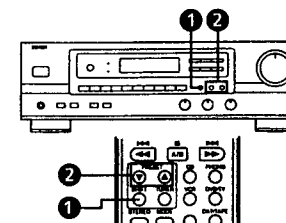
- Press the TUNING UP or DOWN button to tune in the desired station. The frequency changes continuously when the button is held in.



- Press the MEMORY button again to store the station in the preset memory.



To preset other channels, repeat steps 2 to 3. A total of 40 broadcast stations can be preset - 8 stations (channels 1 to 8) in each of blocks A to E.



7 LAST FUNCTION MEMORY

- This unit is equipped with a last function memory which stores the input and output setting conditions as they were immediately before the power is switched off. This function eliminates the need to perform complicated resettlings when the power is switched on.
- This unit is also equipped with a back-up memory. This function provides approximately one week of memory storage with the power cord disconnected.

8 TROUBLESHOOTING

If a problem should arise, first check the following:

- Are the connections correct?
 - Have you followed all operational instructions correctly?
 - Are the speakers, turntable, and other components operating properly?
- If the receiver is not operating properly, check the items listed in the table below. Should the problem persist, there may be a malfunction. Disconnect the power immediately and contact your store of purchase.

	Symptom	Cause	Measures	Page
Common problems arising when listening to the CD, records, tapes, and FM broadcasts, etc.	DISPLAY not lit and sound not produced when power operation switch set to on.	• Power cord not plugged in securely.	• Check the insertion of the power cord plug.	5
	DISPLAY lit but sound not produced.	• Speaker cords not securely connected. • Speaker switch is off. • Improper position of the audio function button. • Volume control set to minimum. • MUTING is on.	• Connect securely. • Turn on speaker switch. • Set to a suitable position. • Turn volume up to suitable level. • Switch off MUTING.	5, 6 8 9 9 9
	-PROTECT- display appears.	• Speaker terminals are short-circuited. • Block the ventilation holes of the set.	• Switch power off, connect speakers properly, then switch power back on. • Turn off the set's power, then ventilate it well to cool it down. Once the set is cooled down, turn the power back on. • Turn off the set's power, then ventilate it well to cool it down. Once the set is cooled down, turn the power back on.	5, 6 3, 4 3, 4
	Sound produced only from one channel.	• Incomplete connection of speaker cords. • Incomplete connection of input/output cords. • Left/right balance is off.	• Connect securely. • Connect securely. • Adjust balance knob properly.	5, 6 5, 6 8
	Positions of instruments reversed during stereo playback.	• Reverse connections of left and right speakers or left and right input/output cords.	• Check left and right connections.	5, 6
	Sound seems distorted.	• Surround (rear) level is too high.	• Set the Surround (rear) level to lower level.	10, 11
When playing records	Humming noise produced when record is playing.	• Ground wire of turntable not connected properly. • Incomplete PHONO jack connection. • TV or radio transmission antenna nearby.	• Connect securely. • Connect securely. • Contact your store of purchase.	5 5 -
	Howling noise produced when volume is high.	• Turntable and speaker systems too close together. • Floor is unstable and vibrates easily.	• Separate as much as possible. • Use cushions to absorb speaker vibrations transmitted by floor. If turntable is not equipped with insulators, use audio insulators (commonly available).	- -
	Sound is distorted.	• Stylus pressure too weak. • Dust or dirt on stylus. • Cartridge defective.	• Apply proper stylus pressure. • Check stylus. • Replace cartridge.	- - -
	Volume is weak.	• MC cartridge being used.	• Replace with MM cartridge or use a head amplifier or step-up transformer.	5
Remote control unit	Receiver does not operate properly when remote control unit is used.	• Batteries dead. • Remote control unit too far from receiver. • Obstacle between receiver and remote control unit. • Different button is being pressed. • Ⓟ and Ⓞ ends of battery inserted in reverse.	• Replace with new batteries. • Move closer. • Remove obstacle. • Press the proper button. • Insert batteries properly.	7 7 7 7, 8 7

9 SPECIFICATIONS

• Audio Section

(Power amplifier)	FRONT	
Rated output:	55 W + 55 W (8 Ω/ohms, 20 Hz - 20 kHz with 0.08 % THD)	
	80 W + 80 W (8 Ω/ohms, EIAJ)	
(All properties shown are only for the power amplifier stage.)	CENTER	
	55 W (8 Ω/ohms, 20 Hz - 20 kHz with 0.08 % THD)	
	80 W (8 Ω/ohms, EIAJ)	
	SURROUND (REAR)	
	25 W + 25 W (8 Ω/ohms, 1 kHz with 0.9 % THD)	
	35 W + 35 W (8 Ω/ohms, EIAJ)	
Output terminals:	Front:	8 to 16 Ω/ohms
	Center:	8 to 16 Ω/ohms
	Surround (Rear):	8 to 16 Ω/ohms

(Pre-amplifier)

Line input (Each line input - FRONT SP OUT)		
Input sensitivity/impedance:	200 mV/47 kΩ/kohms	PHONO (MM): 2.5 mV/47kΩ/kohms
Frequency response:	10 Hz to 50 kHz:	± 3 dB
Tone control range:	BASS:	± 10 dB at 100 Hz
	TREBLE:	± 10 dB at 10 kHz
Signal-to-noise ratio:	92dB (STEREO)	
Rated output (Pre out):	1.2 V	
Phono equalizer (PHONO input - REC OUT)		
RIAA deviation:	± 1 dB (20 Hz to 20 kHz)	
Signal-to-noise ratio:	74 dB (A weighting, with 5 mV input)	
Rated output/Maximum output:	200 mV/8 V	
Distortion factor:	0.03 % (1 kHz, 1 V)	

• Tuner Section

Receiving Range:	[FM] (note: μV at 75 Ω/ohms, 0 dBf = 1 x 10 ⁻¹⁸ W) (AM SPACING: 9 kHz) 87.50 to 108.00 MHz (50 kHz step) (AM SPACING: 10 kHz) 87.50 to 107.90 MHz (200 kHz step)	[AM] (AM SPACING: 9 kHz) 522 to 1,611 kHz (9 kHz step) (AM SPACING: 10 kHz) 520 to 1,710 kHz (10 kHz step)
Usable Sensitivity:	1.0 μV (11.2 dBf)	18 μV
50 dB Quieting Sensitivity:	MONO 1.6 μV (15.3 dBf) STEREO 23 μV (38.5 dBf)	
Signal to Noise Ratio (HF-A):	MONO 80 dB STEREO 75 dB	50 dB
Total Harmonic Distortion (at 1 kHz)	MONO 0.15 % STEREO 0.3 %	

• Video Section

Standard video jacks	
Input and output level/impedance:	1 Vp-p/75 Ω/ohms
Frequency response:	2 Hz to 8 MHz + 0, -3 dB

• General

Power supply:	AC 115/230V, 50/60 Hz (AVR-750/770) AC 220V, 50 Hz (AVR-760/780)
Power consumption:	180 W
Maximum external dimensions:	434 (W) x 142 (H) x 315 (D) mm (17-3/32" x 5-19/32" x 12-25/64") (AVR-750/760) 471 (W) x 143 (H) x 315 (D) mm (18-35/64" x 5-41/64" x 12-25/64") (AVR-770/780)
Weight:	7.8 kg (17 lbs 7 oz) (AVR-750/760) 8.8 kg (19 lbs 7 oz) (AVR-770/780)

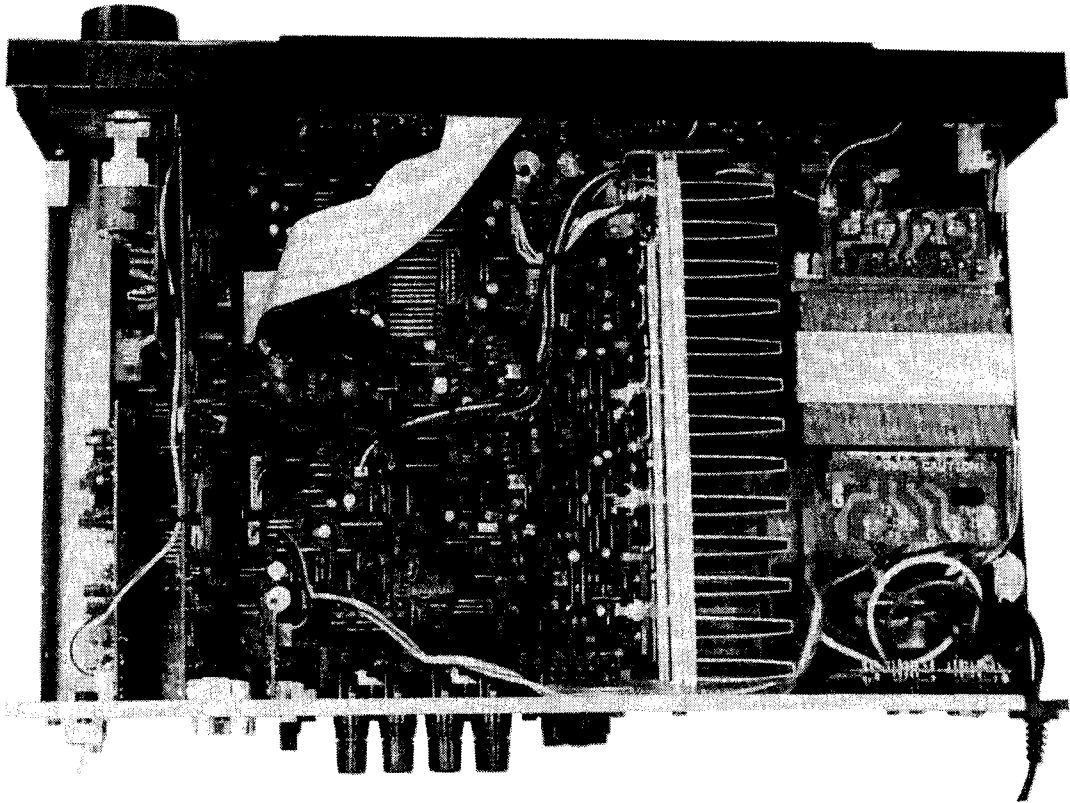
• Remote control unit System remote control RC-840:

Total buttons:	28
DENON system code	
CD player:	6 buttons
Cassette deck:	6 buttons (SWITCHED)
AVR-750/760/770/780 fixed codes:	22 buttons
Batteries:	R6P/AA Type (two batteries)
External dimensions:	51 (W) x 175 (H) x 18.5 (D) mm (2" x 6-57/64" x 47/64")
Weight:	100 g (Approx. 3.5 oz) (including batteries)

* For purposes of improvement, specifications and design are subject to change without notice.

WIRE ARRANGEMENT

In case of wires require unclasping or loosening to move the location to perform adjustment or part replacement, be sure to rearrange them neatly to restore properly in the same location as they were originally placed, or causing to produce a noise may occasionally occur.

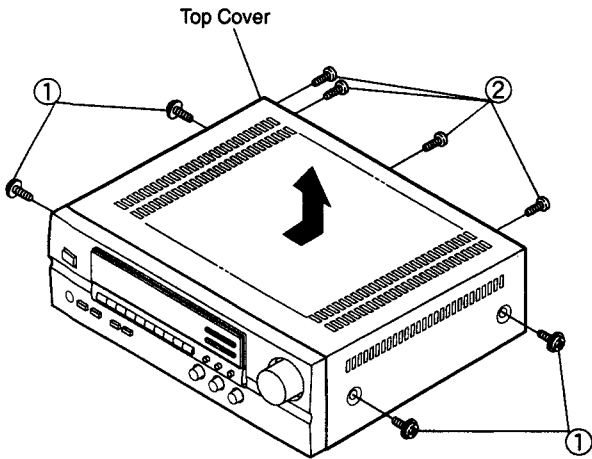


DISASSEMBLY

(To reassemble reverse disassembly)

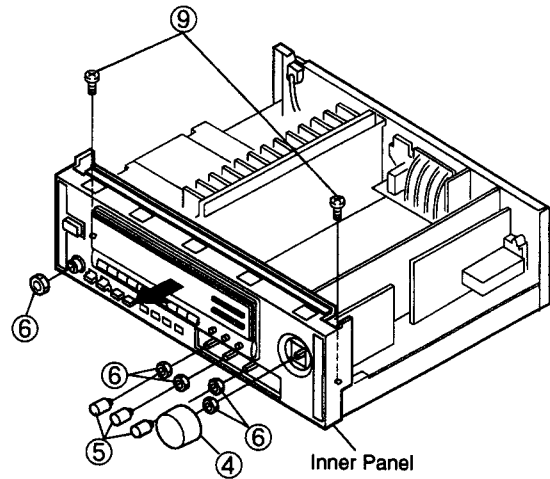
1. Top Cover

Remove 4 screws ① and 4 screws ②.



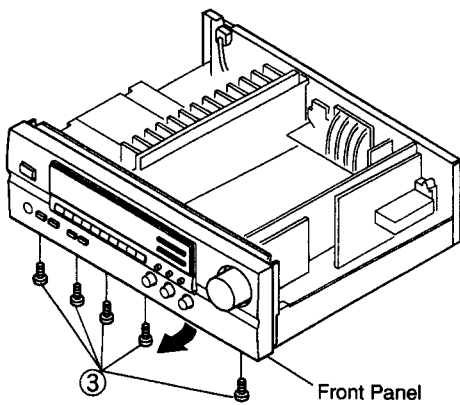
3. Inner Panel

- (1) Pull out Volume knob ④ and 3 round knobs ⑤.
- (2) Remove 5 nuts ⑥.
- (3) Remove 2 screws ⑨.



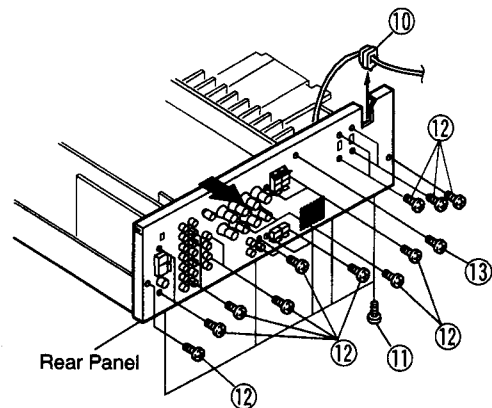
2. Front Panel

Remove 5 screws ③.



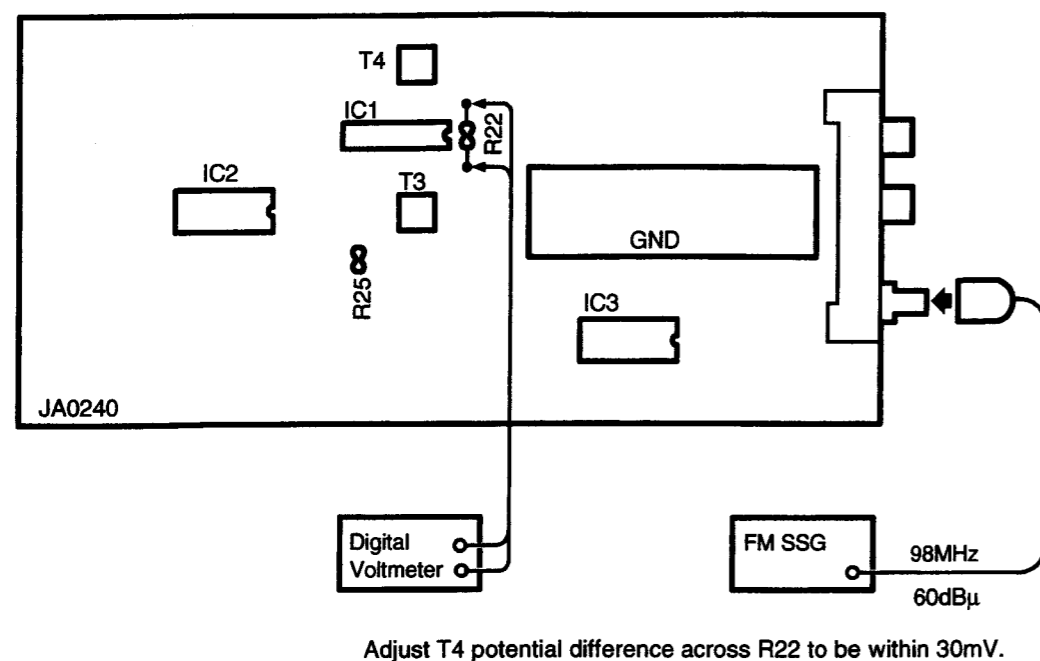
4. Rear Panel

- (1) Disconnect cord bush ⑩.
- (2) Remove 5 screws ⑪, and 22 screws ⑫.
- * Screws ⑫ are tighten.
- (3) Remove 1 screw ⑬.



CONNECTION DIAGRAM OF MEASURING INSTRUMENTS

● FM SECTION



● Initiating (Memory clearing) Method

To clear memory contents of microcomputer and restore to the initial state, take the following steps;

1. Press power switch, turn off power of the unit, and set to standby mode.
2. Pull out power cord from wall outlet temporarily.
3. Insert power cord into outlet while simultaneously pressing two keys of VIDEO SELECT and TUNER.
4. Press power switch to confirm that memory contents are cleared.

By completion of the above, the initial state is restored. In case the memory can not be cleared due to some reasons, repeat steps 1 through 3.

Note:

When in the Standby mode, the unit is in the Power OFF state when turn Power SW ON with remote control.

● AUDIO SECTION

Idling Current (JA0241)

Required measurement equipment: DC Voltmeter

Arrangement

- (1) Avoid direct blow from an air conditioner or an electric fan, and adjust the unit at normal room temperature 15°C ~ 30°C. (59°F ~ 86°F).

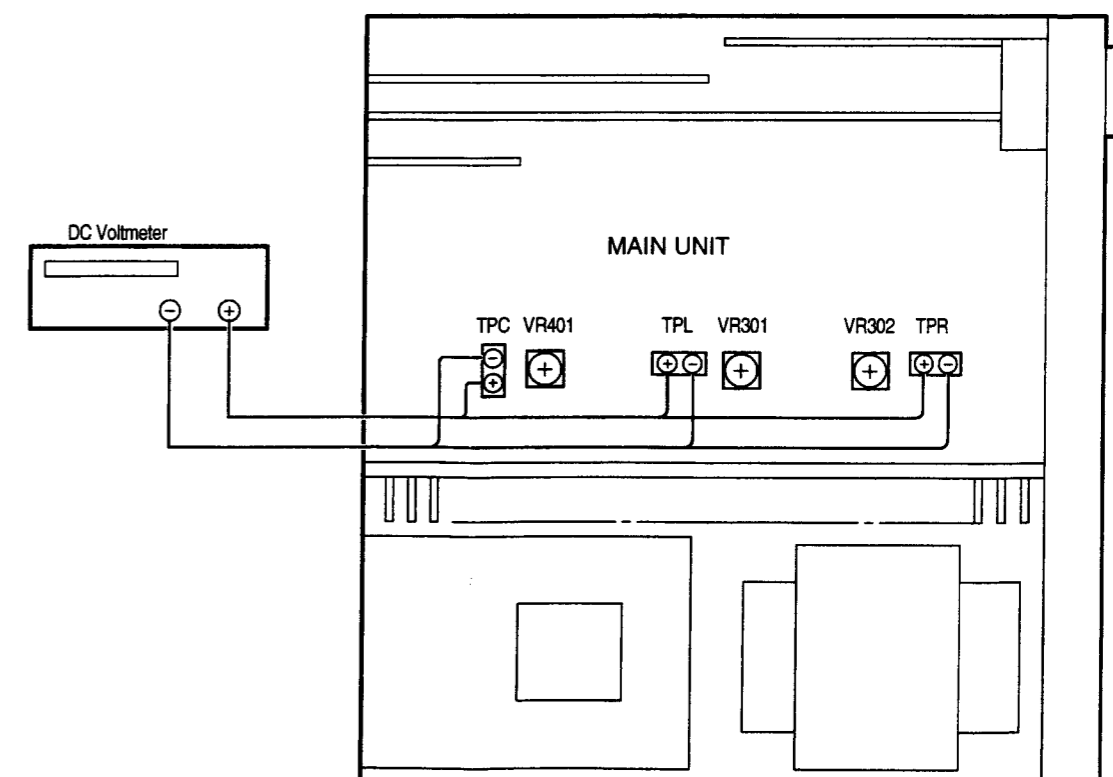
(2) Presetting

- POWER (Power source switch) → ON
- MODE (Mode button) → STEREO
- FUNCTION (Function button) → CD
- VOLUME (Volume control) → 0: fully counterclockwise (⊖ min.)
- BASS, TREBLE (Tone control) → 0: (Controls to center)
- SPEAKERS (Speaker terminal) → No load (Do not connect speaker, dummy resistor, etc.)

Adjustment

- (1) Remove top cover and set VR401, VR301 and VR302 of JA0241 (Main Unit) at counterclockwise fully.
- (2) Connect DC Voltmeter to test points (Lch TPL, Rch TPR, CENTER ch TPC).
- (3) Connect power cord to AC Line, and turn power switch "ON".
- (4) Allow 15 minutes, and turn VR301, VR302 and VR401 clockwise (⊕) and adjust the TEST POINTS voltage to 1.5 mV ±0.5 mV DC.
- (5) After 2 minutes from preset, turn VR301, VR302 and VR401 to set the voltage to 3 mV ±0.5mV DC.

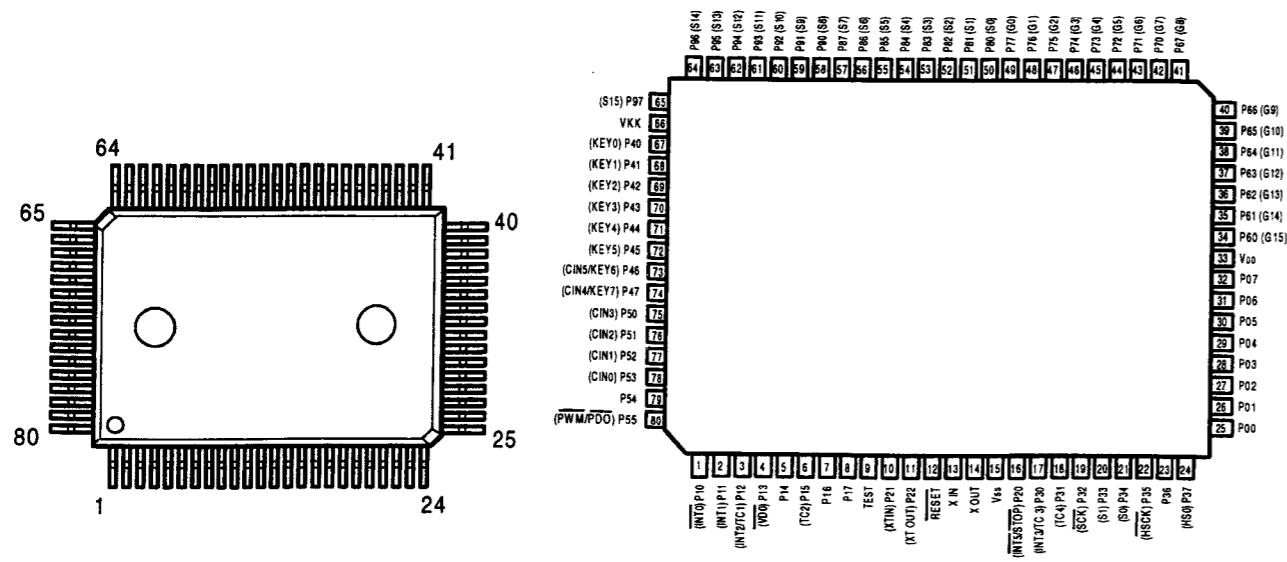
JA0241 Main Unit (Component Side)



SEMICONDUCTORS

● IC's

TMP87CM71F-6668 (IC701)



TMP87CM71F-6668 Terminal Function

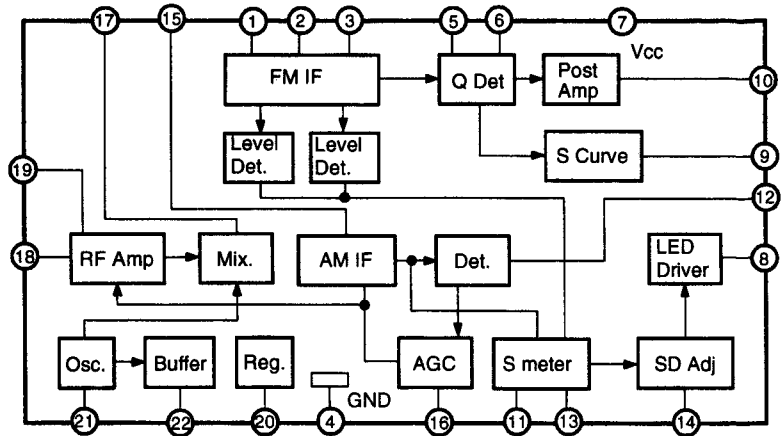
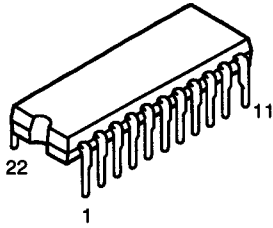
Pin No.	Symbol	I/O	Type	Op	Det	Res	Init	Function
1	STOP	I	—	Eu	Lv	Z	—	Detect power stop ("L" at power stop)
2	PROTECTION	I	—	Eu	E&L	Z	—	Protection input ("H" at protection)
3	EXP. DATA	O	C	—	—	Z	L	Port expand data output
4	EXP. CK	O	C	—	—	Z	L	Port expand clock output
5	EXP. STB	O	C	—	—	Z	L	Port expand strobe output
6	VR. CK	O	C	—	S	Z	L	TC9176 (electron VR) control clock output
7	VR. DATA	O	C	—	S	Z	L	TC9176 (electron VR) control data output
8	VR. STB	O	C	—	—	Z	L	TC9176 (electron VR) control strobe output
9	TEST	I	—	GND	—	—	—	Connect to ground.
10	TUNED	I	—	Eu	Lv	Z	—	"L" at stereo receive
11		O	—	—	—	Z	L	Fixed output on "L"
12	RESET	I	—	Eu	Lv	Z	—	Reset input
13	X IN	I	—	—	—	—	—	Oscillator circuit (4MHz)
14	X OUT	O	—	—	—	—	—	Oscillator circuit (4MHz)
15	GND	I	—	GND	—	—	—	Ground
16	RDS START	I	—	Eu	Ed	Z	—	RDS data, Start signal input (LC704)*
17	REMOCON	I	—	Eu	E&L	Z	—	Remote control signal input
18	STEREO	I	—	Eu	—	Z	L	"L" at TUNER stereo receive
19	RDS. CK	I	—	Eu	S	Z	—	RDS clock input (LC7074)
20	RDS. DATA	I	—	Eu	S	Z	—	RDS data input (LC7074)*
21	RDS. RESET	O	N	Eu	—	Z	L	RDS reset signal output (LC7074)*
22	PLL. CK	O	N	Eu	—	Z	L	LM7001 control clock output
23	PLL. STB	O	N	Eu	—	Z	L	LM7001 control strobe output
24	PLL. DATA	O	N	Eu	—	Z	L	LM7001 control data output
25	FUNC. DATA	O	C	—	—	Z	L	LC7822 (Function IC) control data output
26	FUNC. CK	O	C	—	—	Z	L	LC7822 (Function IC) control clock output
27	FUNC. STB	O	C	—	—	Z	L	LC7822 (Function IC) control strobe output
28	ST/MONO	O	C	—	—	Z	L	TUNER STEREO/MONO control output ("L" at STEREO)
29	POWER OFF	O	C	—	—	Z	L	"L" at ON
30	VOL. DOWN	O	C	—	—	Z	L	Electrically-drive volume control output (BA6208S)

* port is fixed "L" at RDS non-selection mode.

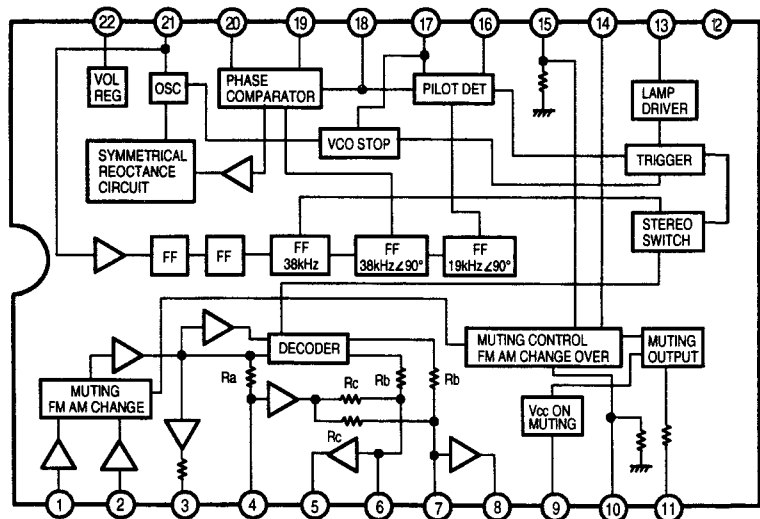
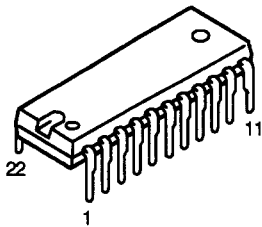
Pin No.	Symbol	I/O	Type	Op	Det	Res	Init	Function
31	VOL. UP	O	C	—	—	Z	L	Electrically-driven volume control output. (BA6208S)
32	SP-FRONT	O	C	—	—	Z	L	Front speaker relay control output.
33	VDD	I	—	—	—	—	—	Connect to +5V.
34	LED. PRO	O	P	Id	—	Z	H	DOLBY PROLOGIC indicating LED drive output. ("H" at light)
35	LED. STBY	O	P	Id	—	Z	H	Standby indicating LED drive output. ("H" at light)
36	1G	O	P	Id	—	L	L	FLD control output.
37	2G	O	P	Id	—	L	L	FLD control output.
38	3G	O	P	Id	—	L	H	FLD control output.
39	4G	O	P	Id	—	L	H	FLD control output.
40	5G	O	P	Id	—	L	L	FLD control output.
41	6G	O	P	Id	—	L	L	FLD control output.
42	7G	O	P	Id	—	L	H	FLD control output.
43	8G	O	P	Id	—	L	L	FLD control output.
44	9G	O	P	Id	—	L	L	FLD control output.
45	10G	O	P	Id	—	L	L	FLD control output.
46	11G	O	P	Id	—	L	H	FLD control output.
47	12G	O	P	Id	—	L	L	FLD control output.
48	13G	O	P	Id	—	L	H	FLD control output.
49	14G	O	P	Id	—	L	H	FLD control output.
50	P (a)	O	P	Id	—	L	H	FLD control output.
51	P (b)	O	P	Id	—	L	H	FLD control output.
52	P (c)	O	P	Id	—	L	H	FLD control output.
53	P (d)	O	P	Id	—	L	H	FLD control output.
54	P (e)	O	P	Id	—	L	L	FLD control output.
55	P (f)	O	P	Id	—	L	L	FLD control output.
56	P (g)	O	P	Id	—	L	L	FLD control output.
57	P (h)	O	P	Id	—	L	L	FLD control output.
58	P (i)	O	P	Id	—	L	L	FLD control output.
59	P (k)	O	P	Id	—	L	L	FLD control output.
60	P (m)	O	P	Id	—	L	L	FLD control output.
61	P (n)	O	P	Id	—	L	L	FLD control output.
62	P (p)	O	P	Id	—	L	L	FLD control output.
63	P (q)	O	P	Id	—	L	L	FLD control output.
64	P (r)	O	P	Id	—	L	L	FLD control output.
65	P (s)	O	P	Id	—	L	L	FLD control output.
66	VKK	I	—	—	—	—	—	Connect to VKK.
67	DD. CK	O	N	Eu	—	Z	H	NJU9701G (Delay time) control clock output.
68	DD. REQ	O	N	Eu	—	Z	H	NJU9701G (Delay time) control request output.
69	DD. DATA	O	N	Eu	—	Z	H	NJU9701G (Delay time) control data output.
70	MODE2	I	N	Eu	—	Z	—	Select occurring or no RDS function. ("H" at occurring RDS function)
71	VIDEO A	O	N	Eu	—	Z	H	BU4066 (Video shift) control output. ("L" at selecting)
72	VIDEO B	O	N	Eu	—	Z	H	BU4066 (Video shift) control output. ("L" at selecting)
73	KEY 5	I	—	Eu	Lv	Z	—	Button input 5.
74	KEY 4	I	—	Eu	Lv	Z	—	Button input 4.
75	KEY 3	I	—	Eu	Lv	Z	—	Button input 3.
76	KEY 2	I	—	Eu	Lv	Z	—	Button input 2.
77	KEY 1	I	—	Eu	Lv	Z	—	Button input 1.
78	MODE 1	I	—	Eu	Lv	Z	—	Model version change input.
79	TU MUTE	O	N	Eu	—	Z	L	Tuner muting output. ("L" at muting)
80		O	N	Eu	—	Z	H	Fixed output on "H".

* port is fixed "L" at RDS non-selection mode.

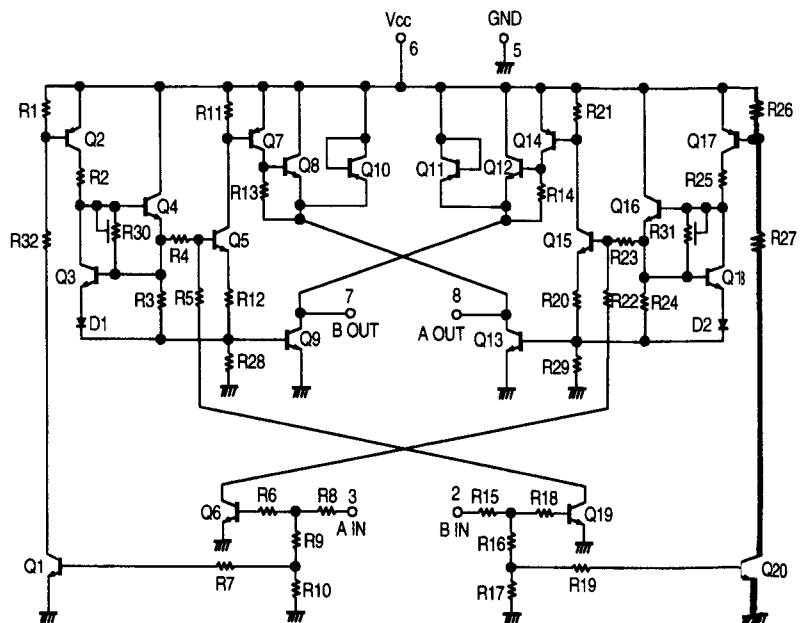
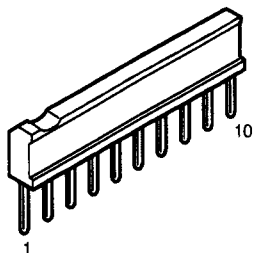
LA1265 (S)
(IC001)



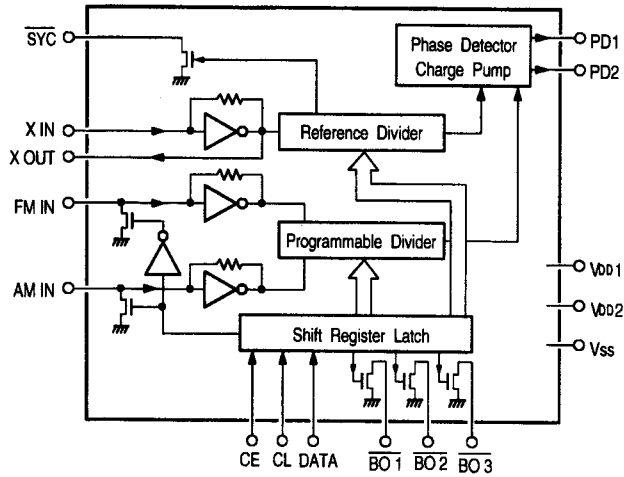
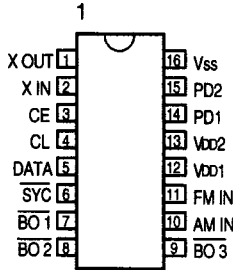
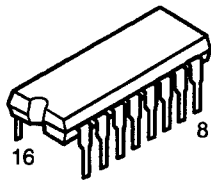
LA3401
(IC002)



BA6208S
(IC265)



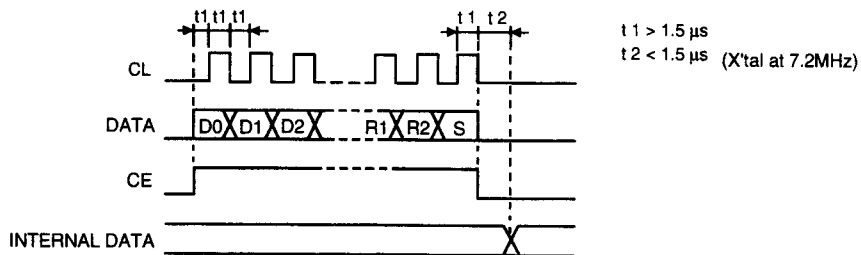
LM7001 (IC003)



Terminal Description

- SYNC : Clock for controller (400 kHz).
- X IN, X OUT : X'tal OSC (7.2 MHz).
- FM IN, AM IN : Station oscillation signal input.
- CE, CL, DATA : Data input.
- BO1, BO2, BO3 : Band data output. BO1 is feasible for time base output (8 Hz).
- VDD1, VDD2, VSS : Power supply. (VDD2 is for back-up).
- PD1, PD2 : Charge pump output.

Data Input



— input from D0.

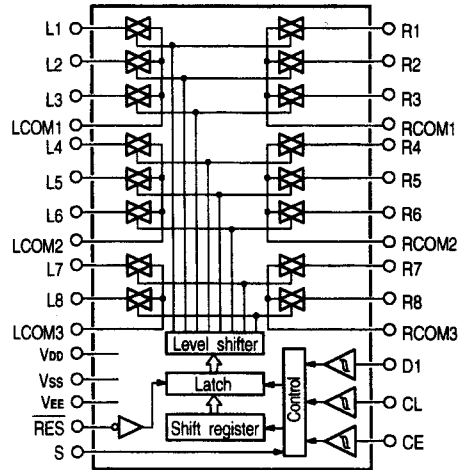
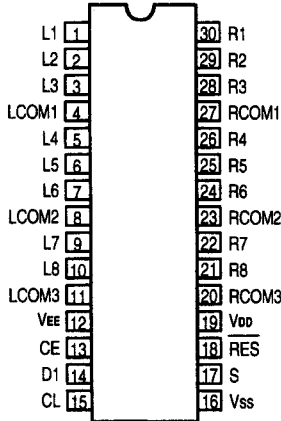
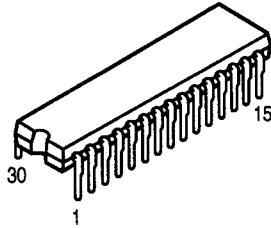
D0	D1	D2	D3	D4	D5	D6	D7	D8	D9	D10	D11	D12	D13	T0	T1	B0	B1	B2	TB	R0	R1	R2
----	----	----	----	----	----	----	----	----	----	-----	-----	-----	-----	----	----	----	----	----	----	----	----	----

(1) D0(LSB)~D13(MSB) : Frequency dividend data
For FM IN, use D0~D13; for AM IN, use D4~D13.

D0	D1	D2	D3	D4	D5	D6	D7	D8	D9	D10	D11	D12	D13	→ FM IN Frequency dividend nnumber = 14853
1	0	1	0	0	0	0	0	0	1	0	1	1	1	
LSB													MSB	
x	x	x	x	0	0	0	0	0	1	0	1	1	1	→ FM IN Frequency dividend nnumber = 928
				LSB									MSB	

(2) T0, T1 : For test of LSI (0,0)

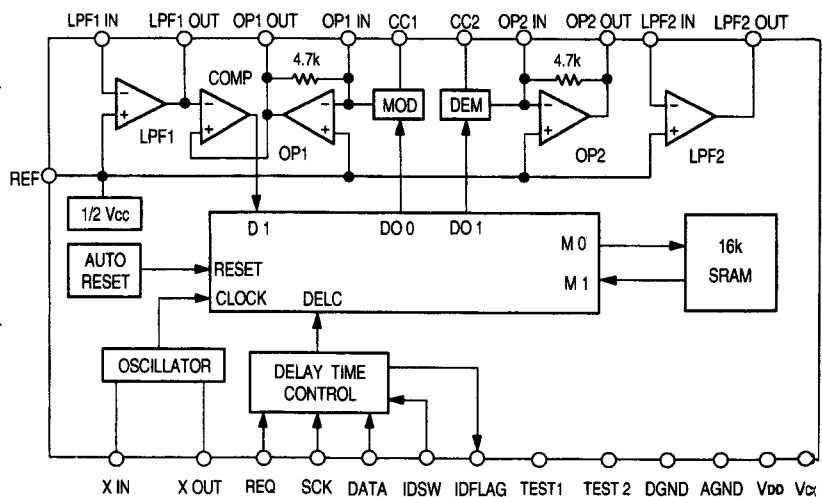
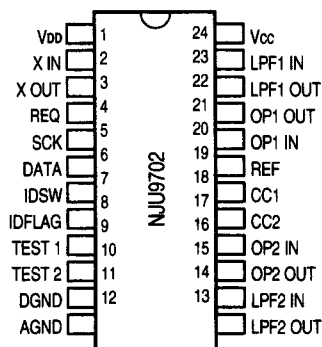
LC78212 (IC102)



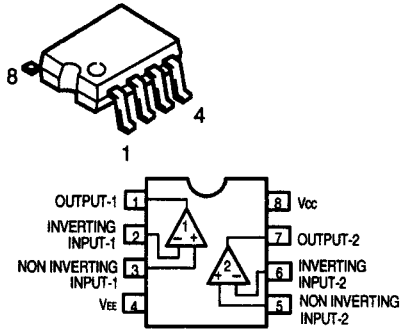
LC78212 Terminal Function

Name of Terminal	I/O	Equivalent Internal Circuit	Function of Terminal																					
VDD, VSS, VEE			Power terminal.																					
L1~L8, R1~R8 LCOM1~LCOM4, BCOM1~BCOM4		Refer to block diagram	In/Out terminal of analog switch.																					
CL, DI, CE	I		Serial data input terminal (schmidt buffer). CL=Clock input terminal. DI=Data input terminal/ CE=Chip enable terminal.																					
S	I		Selection terminal for using of two. Address will be shifted as per below table when switching S terminal to L or H. <table border="1" style="margin: 10px auto;"> <thead> <tr> <th rowspan="2">Name of Item</th> <th rowspan="2">S Terminal</th> <th colspan="4">Address</th> </tr> <tr> <th>A0</th> <th>A1</th> <th>A2</th> <th>A3</th> </tr> </thead> <tbody> <tr> <td rowspan="2">LC78212</td> <td>L</td> <td>0</td> <td>1</td> <td>0</td> <td>1</td> </tr> <tr> <td>H</td> <td>1</td> <td>1</td> <td>0</td> <td>1</td> </tr> </tbody> </table>	Name of Item	S Terminal	Address				A0	A1	A2	A3	LC78212	L	0	1	0	1	H	1	1	0	1
Name of Item	S Terminal	Address																						
		A0	A1	A2	A3																			
LC78212	L	0	1	0	1																			
	H	1	1	0	1																			
RES	I		Reset terminal. Condition of analog switch is not fixed at the time of turning on the power. When shift this terminal to L, all analog switches become OFF.																					

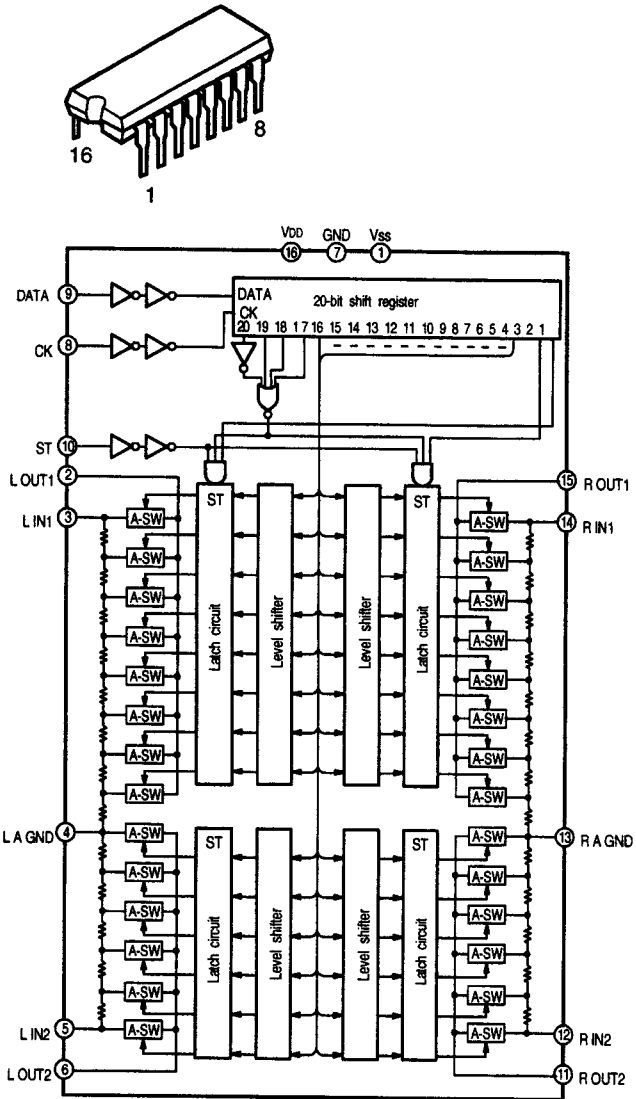
NJU9702 (IC202)



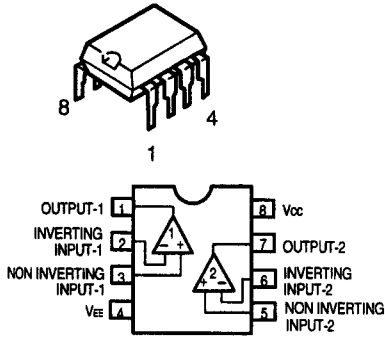
BA4558F (IC101, 103)



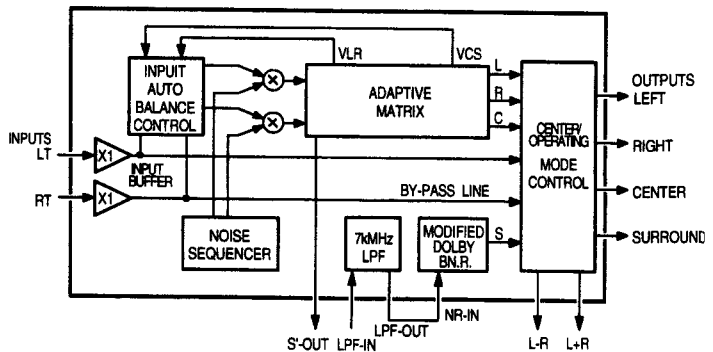
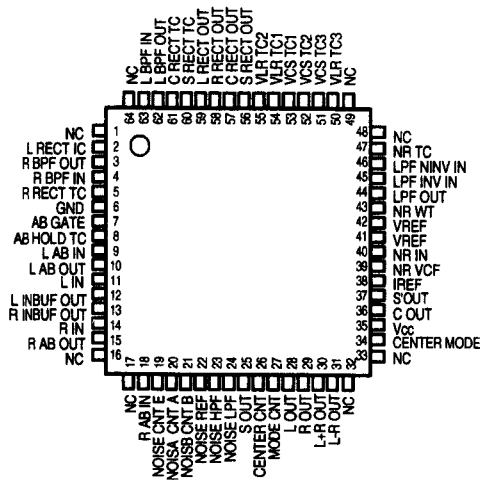
TC9176P (IC266)



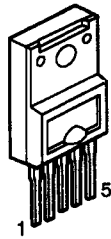
BA4558 (IC261, 263)
BA15218 (IC451)



NJM2177AF (IC201)

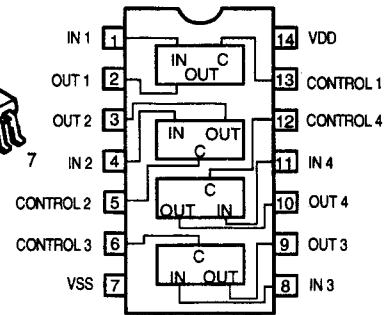
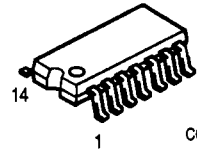


SI-18752
(IC571,572)

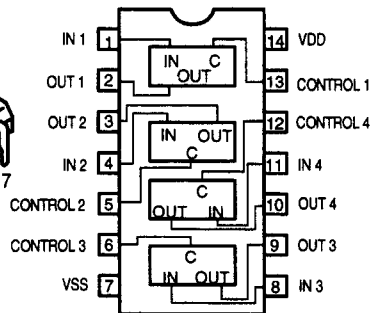
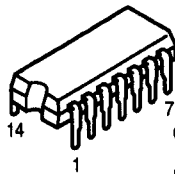


1. +IN
2. -IN
3. VEE
4. Output
5. +Vcc

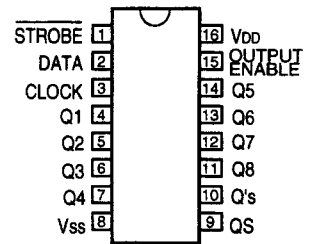
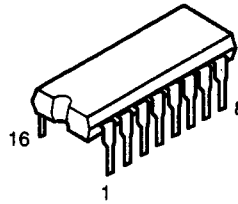
BU4066BCF
(IC203, 205)



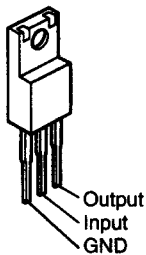
BU4066BC
(IC601)



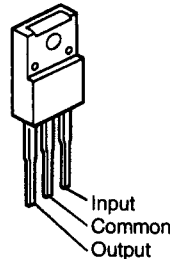
BU4094BC
(IC913, 914)



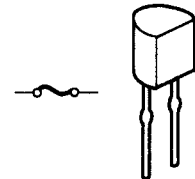
NJM7912FA
(IC574)



KIA7806PI
(IC575)

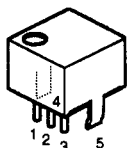


● **IC PROTECTOR**
ICP-N20 (PR505, 506)

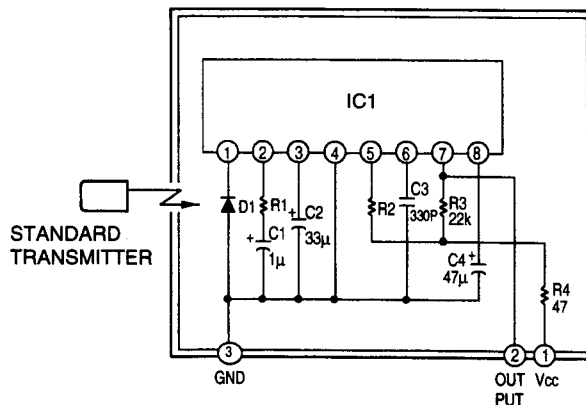


● **OTHER**

SBX1910 Remote Control Receiver)



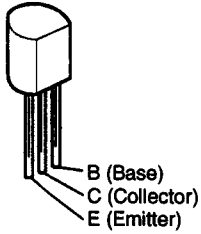
1. Vcc
2. Output
3. GND
4. Case Fin
5. Case Fin



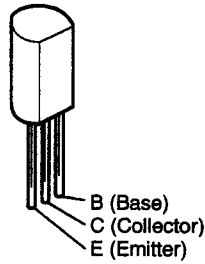
- IC1 : CX20106A Chip
- D1 : PIN Photo Diode Chip
- C1,C2,C4 : Aluminum Electrolytic Capacitor
- C3 : SL Characteristic ±5%
- R1 : Gain control resistor
- R2 : for control resistor (Using±%)
- R (Other than above items) : ±5%

● TRANSISTORS

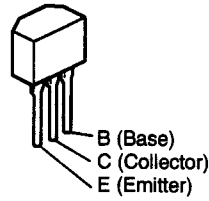
2SA970 (BL)
 2SA988 (E/F)
 2SA1015 (GR)
 2SC1815 (Y), (GR)
 2SC1841 (E/F)
 2SC2058 (Q)
 2SC2878 (A/B)
 2SC1841 (E/F)



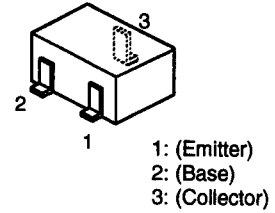
2SB647A (C)
 2SD667A (C)



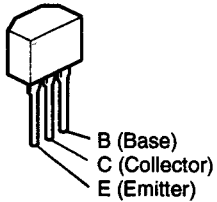
2SC2458



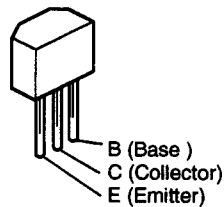
2SA1037K (S/R)
 2SC2412K (S)



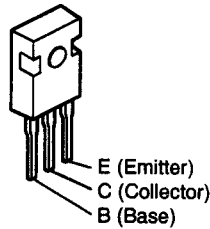
DTA114ES
 DTC114TS
 DTC114ES
 DTC144TS
 DTC323TS



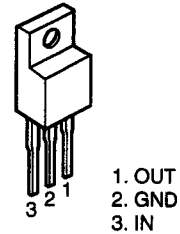
2SA933S (S)
 2SC1740 (S)



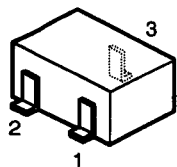
2SA1633
 2SC4278



NJM7812FA (S)

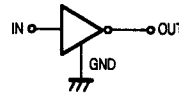
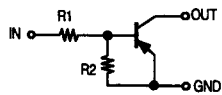


DTA114EKA
 DTC143EKA
 DTC144EKA

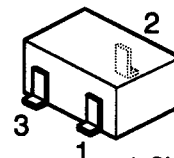


1: GND/Emitter
 2: In/Base
 3: Out/Collector

DTA114EKA

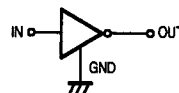
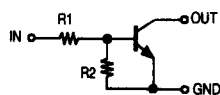


DTC143EK
 DTC144EK



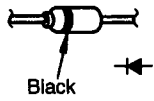
1: GND/Emitter
 2: Out/Collector
 3: In/Base

DTC143EKA
 DTC144EKA

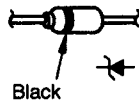


● DIODES (included LED)

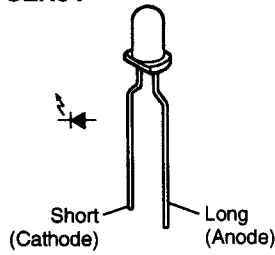
1S2471



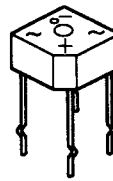
HZ9A3
HZS6C



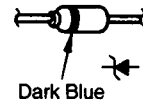
SLR54



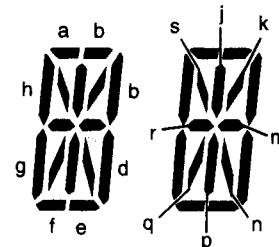
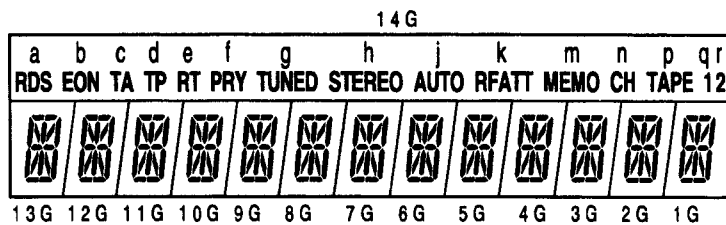
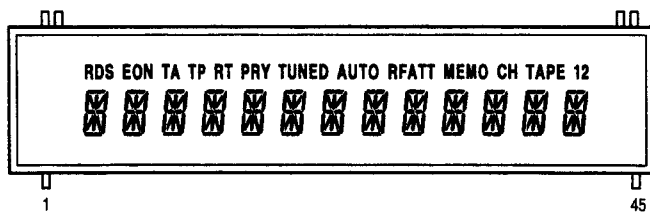
S4VB20



MTZJ3.3A



● FLD (FL701)



PIN CONNECTION

Pin No.	1	2	3	4	5	6	7	8	9	10	11	12	13	14	15	16	17	18	19	20	21	22	23	24	25	26	27	28	29	30
Connection	F1	F1	NP	NP	NC	NC	NC	NC	NC	NC	NC	P16	P15	P14	P13	P12	P11	P10	P9	P8	P7	P6	P5	P4	P3	P2	P1	14G	13G	12G
Pin No.	31	32	33	34	35	36	37	38	39	40	41	42	43	44	45	Note														
Connection	11G	10G	9G	8G	7G	6G	5G	4G	3G	2G	1G	NP	NP	F2	F2	1) F1, F2 ----- Filament	2) NP ----- No pin	3) NC ----- No connection	4) DL ----- Datum line	5) 1G-14G ----- Gird										

ANODE CONNECTION

	14G	13G	12G	11G	10G	9G	8G	7G	6G	5G	4G	3G	2G	1G
P1	RDS	a1	a1	a1	a1	a1	a1	a1	a1	a1	a1	a1	a1	a1
P2	EON	a2	a2	a2	a2	a2	a2	a2	a2	a2	a2	a2	a2	a2
P3	TA	b	b	b	b	b	b	b	b	b	b	b	b	b
P4	TP	c	c	c	c	c	c	c	c	c	c	c	c	c
P5	RT	d2	d2	d2	d2	d2	d2	d2	d2	d2	d2	d2	d2	d2
P6	PTY	d1	d1	d1	d1	d1	d1	d1	d1	d1	d1	d1	d1	d1
P7	TUNED	e	e	e	e	e	e	e	e	e	e	e	e	e
P8	STEREO	f	f	f	f	f	f	f	f	f	f	f	f	f
P9	AUTO	j	j	j	j	j	j	j	j	j	j	j	j	j
P10	RFATT	k	k	k	k	k	k	k	k	k	k	k	k	k
P11	MEMO	m	m	m	m	m	m	m	m	m	m	m	m	m
P12	CH	n	n	n	n	n	n	n	n	n	n	n	n	n
P13	TAPE	p	p	p	p	p	p	p	p	p	p	p	p	p
P14	1	r	r	r	r	r	r	r	r	r	r	r	r	r
P15	2	g	g	g	g	g	g	g	g	g	g	g	g	g
P16	—	h	h	h	h	h	h	h	h	h	h	h	h	h

NOTE FOR PARTS LIST

- Part indicated with the mark "⊙" are not always in stock and possibly to take a long period of time for supplying, or in some case supplying of part may be refused.
- When ordering of part, clearly indicate "1" and "I" (i) to avoid mis-supplying.
- Ordering part without stating its part number can not be supplied.
- Part indicated with the mark "★" is not illustrated in the exploded view.
- Not including Carbon Film ±5%, 1/4W Type in the P.W.Board parts list. (Refer to the Schematic Diagram for those parts.)

WARNING:

Parts marked with this symbol Δ have critical characteristics.
Use ONLY replacement parts recommended by the manufacturer.

● Resistors

Ex.: **RN** **14K** **2E** **182** **G** **FR**
 Type Shape and performance Power Resistance Allowable error Others

RD : Carbon	2B : 1/8W	F : ±1%	P : Pulse-resistant type
RC : Composition	2E : 1/4W	G : ±2%	NL : Low noise type
RS : Metal oxide film	2H : 1/2W	J : ±5%	NB : Non-burning type
RW : Winding	3A : 1W	K : ±10%	FR : Fuse-resistor
RN : Metal film	3D : 2W	M : ±20%	F : Lead wire forming
RK : Metal mixture	3F : 3W		
	3H : 5W		

*** Resistance**

$\overset{1}{\text{R}}\overset{2}{\text{2}} \Rightarrow 1800 \text{ ohm} = 1.8 \text{ kohm}$
 Indicates number of zeros after effective number.
 2-digit effective number.

• Units: ohm

$\overset{1}{\text{R}}\overset{2}{.2} \Rightarrow 1.2 \text{ ohm}$
 1-digit effective number.
 2-digit effective number, decimal point indicated by R.

• Units: ohm

● Capacitors

Ex.: **CE** **04W** **1H** **2B2** **M** **BP**
 Type Shape and performance Dielectric strength Capacity Allowable error Others

CE : Aluminum foil electrolytic	0J : 6.3V	F : ±1%	HS : High stability type
CA : Aluminum solid electrolytic	1A : 10V	G : ±2%	BP : Non-polar type
CS : Tantalum electrolytic	1C : 16V	J : ±5%	HR : Ripple-resistant type
CQ : Film	1E : 25V	K : ±10%	DL : For change and discharge
CK : Ceramic	1V : 35V	M : ±20%	HF : For assuring high frequency
CC : Ceramic	1H : 50V	Z : +80%	U : UL part
CP : Oil	2A : 100V	-20%	C : CSA part
CM : Mica	2B : 125V	P : +100%	W : UL-CSA type
CF : Metallized	2C : 160V	-0%	F : Lead wire forming
CH : Metallized	2D : 200V	C : ±0.25pF	
	2E : 250V	D : ±0.5pF	
	2H : 500V	= : Others	
	2J : 630V		

*** Capacity (electrolyte only)**

$\overset{2}{2}\overset{2}{2} \Rightarrow 2200\mu\text{F}$
 Indicates number of zeros after effective number.
 2-digit effective number.

• Units: μF .

$\overset{2}{.2}\overset{2}{2} \Rightarrow 2.2\mu\text{F}$
 1-digit effective number.
 2-digit effective number, decimal point indicated by R.

• Units: μF .

*** Capacity (except electrolyte)**

$\overset{2}{2}\overset{2}{2} \Rightarrow 2200\text{pF} = 0.0022\mu\text{F}$
 (More than 2)—Indicates number of zeros after effective number.
 2-digit effective number.

• Units: μF .

$\overset{2}{2}\overset{2}{.1} \Rightarrow 220\text{pF}$
 (0 or 1)—Indicates number of zeros after effective number.
 2-digit effective number.

• Units: pF.

• When the dielectric strength is indicated in AC, "AC" is included after the dielectric strength value.

PARTS LIST OF P.W.B. UNIT ASS'Y

MAIN P.W.B. ASS'Y

Ref. No.	Part No.	Part Name	Remarks	Ref. No.	Part No.	Part Name	Remarks
SEMICONDUCTORS GROUP							
IC451	263 0615 902	IC BA15218F		TR415	274 0060 007	Transistor 2SD667A(C)	
IC571	263 0855 005	IC SI18752		TR417	272 0053 005	Transistor 2SB647(C)	
IC572	263 0855 005	IC SI18752		TR419	273 0430 003	Transistor 2SC4278(E/F)	
IC573	263 0516 001	IC NJM7812FA		TR421	271 0276 009	Transistor 2SA1633(E/F)	
IC574		IC NJM7912FA		TR423	273 0235 020	Transistor 2SC1841(E/F)	
IC575	9LC P024 12	IC KIA7806PI		TR442	UDM D010 434	Transistor DTA114EKA	
IC601	262 1875 007	IC BU4066BCF		TR443	269 0048 904	Transistor DTC143EK	
IC913	9LC K089 01R	IC BU4094BCF		TR481	273 0384 900	Transistor 2SC2412K(Q/R)	
IC914	9LC K089 01R	IC BU4094BCF		TR482	273 0384 900	Transistor 2SC2412K(Q/R)	
TR301	271 0094 016	Transistor 2SA970(BL)		TR483	273 0384 900	Transistor 2SC2412K(Q/R)	
TR302	271 0094 016	Transistor 2SA970(BL)		TR484	273 0384 900	Transistor 2SC2412K(Q/R)	
TR303	271 0094 016	Transistor 2SA970(BL)		TR485	273 0384 900	Transistor 2SC2412K(Q/R)	
TR304	271 0094 016	Transistor 2SA970(BL)		TR486	273 0384 900	Transistor 2SC2412K(Q/R)	
TR305	271 0131 021	Transistor 2SA988(E/F)		TR487	271 0238 908	Transistor 2SA1037K(Q/R)	
TR306	271 0131 021	Transistor 2SA988(E/F)		TR488	269 0054 901	Transistor DTC144EK	
TR307	273 0235 020	Transistor 2SC1841(E/F)		TR531	273 0384 900	Transistor 2SC2412K(Q/R)	
TR308	273 0235 020	Transistor 2SC1841(E/F)		TR551	273 0384 900	Transistor 2SC2412K(Q/R)	
TR309	273 0235 020	Transistor 2SC1841(E/F)		TR601	273 0317 906	Transistor 2SC2458(BL)	
TR310	273 0235 020	Transistor 2SC1841(E/F)		TR602	273 0317 906	Transistor 2SC2458(BL)	
TR311	273 0235 020	Transistor 2SC1841(E/F)		TR603	271 0102 021	Transistor 2SA1015(GR)	
TR312	273 0235 020	Transistor 2SC1841(E/F)		TR604	271 0102 021	Transistor 2SA1015(GR)	
TR313	273 0325 008	Transistor 2SC1815(GR)		TR651	273 0253 028	Transistor 2SC2878(B)	
TR314	273 0325 008	Transistor 2SC1815(GR)		TR653	273 0253 028	Transistor 2SC2878(B)	
TR315	274 0060 007	Transistor 2SD667A(C)		TR801	269 0048 904	Transistor DTC143EK	
TR316	274 0060 007	Transistor 2SD667A(C)		TR802	273 0384 900	Transistor 2SC2412K(Q/R)	
TR317	272 0053 005	Transistor 2SB647A(C)		TR803	UDM D010 434	Transistor DTA114EKA	
TR318	272 0053 005	Transistor 2SB647A(C)		TR903	UDM D010 434	Transistor DTA114EKA	
TR319	273 0430 003	Transistor 2SC4278(E/F)		TR904	UDM D010 434	Transistor DTA114EKA	
TR320	273 0430 003	Transistor 2SC4278(E/F)		D301	276 0401 905	Diode 1SS133	
TR321	271 0276 009	Transistor 2SA1633(E/F)		D302	276 0401 905	Diode 1SS133	
TR322	271 0276 009	Transistor 2SA1633(E/F)		D303	276 0401 905	Diode 1SS133	
TR323	273 0235 020	Transistor 2SC1841(E/F)		D304	276 0401 905	Diode 1SS133	
TR324	273 0235 020	Transistor 2SC1841(E/F)		D305	276 0401 905	Diode 1SS133	
TR325	271 0131 021	Transistor 2SA988(E/F)		D306	276 0401 905	Diode 1SS133	
TR351	271 0131 021	Transistor 2SA988(E/F)		D307	9L2 3312 32M	Diode 1S2471B	
TR352	271 0131 021	Transistor 2SA988(E/F)		D308	9L2 3312 32M	Diode 1S2471B	
TR353	273 0384 900	Transistor 2SC2412K(Q/R)		D309	9L2 3312 32M	Diode 1S2471B	
TR354	271 0238 908	Transistor 2SA1037K(Q/R)		D310	9L2 3312 32M	Diode 1S2471B	
TR355	9L2 3286 25	Transistor 2SB647(C)		D311	276 0401 905	Diode 1SS133	
TR401	271 0094 016	Transistor 2SA970(BL)		D312	276 0401 905	Diode 1SS133	
TR403	271 0094 016	Transistor 2SA970(BL)		D351	276 0338 007	Diode S4VB20	
TR405	271 0131 021	Transistor 2SA988(E/F)		D352	276 0401 905	Diode 1SS133	
TR407	273 0235 020	Transistor 2SC1841(E/F)		D401	276 0401 905	Diode 1SS133	
TR409	273 0235 020	Transistor 2SC1841(E/F)		D403	276 0401 905	Diode 1SS133	
TR411	273 0235 020	Transistor 2SC1841(E/F)		D405	276 0401 905	Diode 1SS133	
TR413	273 0325 901	Transistor 2SC1815(GR)		D407	9L2 3312 32M	Diode 1S2471B	

Ref. No.	Part No.	Part Name	Remarks	Ref. No.	Part No.	Part Name	Remarks
D409	9L2 3312 32M	Diode 1S2471B		R315	241 2380 963	Carbon 2.2kohm	RD14S2E222J(NB)
D411	276 0401 905	Diode 1SS133		R316	241 2380 963	Carbon 2.2kohm	RD14S2E222J(NB)
D441	276 0401 905	Diode 1SS133		R317	241 2380 963	Carbon 2.2kohm	RD14S2E222J(NB)
D481	276 0401 905	Diode 1SS133		R318	241 2380 963	Carbon 2.2kohm	RD14S2E222J(NB)
D482	276 0401 905	Diode 1SS133		R319	241 2315 967	Carbon film 68ohm 1/4W (NB)	RD45B2E680JNB-FR
D483	276 0401 905	Diode 1SS133		R320	241 2315 967	Carbon film 68ohm 1/4W (NB)	RD45B2E680JNB-FR
D484	9L2 2000 03R	Diode SDDC-1SS355		R321	241 2377 976	Carbon 130ohm	RD14S2E131J(NB)
D571	276 0401 905	Diode 1SS133		R322	241 2377 976	Carbon 130ohm	RD14S2E131J(NB)
D572	276 0338 007	Diode S4VB20		R323	241 2377 976	Carbon 130ohm	RD14S2E131J(NB)
D573	276 0401 905	Diode 1SS133		R324	241 2377 976	Carbon 130ohm	RD14S2E131J(NB)
D616	276 0401 905	Diode 1SS133		R325		Chip 5.6kohm	RNC562J1-16
D617	276 0401 905	Diode 1SS133		R326		Chip 5.6kohm	RNC562J1-16
D801	9L2 3980 64	Diode IN4001-U01		R327		Chip 75kohm	RMC73M-1F753JR
D802	276 0401 905	Diode 1SS133		R328		Chip 75kohm	RMC73M-1F753JR
D803	276 0401 905	Diode 1SS133		R329		Carbon 9.1kohm	RDL-912J1-16LQ
D804	276 0401 905	Diode 1SS133		R330		Carbon 9.1kohm	RDL-912J1-16LQ
D905	276 0401 905	Diode 1SS133		R331	241 2378 920	Carbon 220ohm	RD14S2E221J(NB)
D912	276 0401 905	Diode 1SS133		R332	241 2378 920	Carbon 220ohm	RD14S2E221J(NB)
ZD301	DB8 00-0 112	Zener diode HZS6C2L		R333	244 2043 982	0.22ohm 1W	RE-R22J0001N
ZD302	DB8 00-0 112	Zener diode HZS6C2L		R334	244 2043 982	0.22ohm 1W	RE-R22J0001N
ZD351	9W2 3392 23	Zener diode HZS27-3L		R335	244 2043 982	0.22ohm 1W	RE-R22J0001N
ZD401	DB8 00-0 112	Zener diode HZS6C2L		R336	244 2043 982	0.22ohm 1W	RE-R22J0001N
ZD551	DB8 00-0 112	Zener diode HZS6C2L		R337	244 2043 982	0.22ohm 1W	RE-R22J0001N
ZD571	DB8 00-0 112	Zener diode HZS6C2L		R338	244 2043 982	0.22ohm 1W	RE-R22J0001N
ZD801	276 0634 905	Zener diode MTZJ3.3A		R339	244 2043 982	0.22ohm 1W	RE-R22J0001N
TH531	9LC J001 51	PTH9M04B222TS2F333		R340	244 2043 982	0.22ohm 1W	RE-R22J0001N
RESISTORS GROUP				R341		Chip 20kohm	RMC73M-1F203JR
R301		Chip 10kohm	RNC103J1-16	R342		Chip 20kohm	RMC73M-1F203JR
R302		Chip 10kohm	RNC103J1-16	R343		Chip 20kohm	RMC73M-1F203JR
R303		Chip 470ohm	RNC471J1-16	R344		Chip 20kohm	RMC73M-1F203JR
R304		Chip 470ohm	RNC471J1-16	R345		Chip 10kohm	RNC103J1-16
R305		Carbon film 12kohm	RD14S1J123JQ	R346		Chip 10kohm	RNC103J1-16
R306		Carbon film 12kohm	RD14S1J123JQ	R347		Chip 270kohm	RNC274J1-16
R307		Chip 30ohm	RMC73M-1F300JR	R348		Chip 270kohm	RNC274J1-16
R308		Chip 30ohm	RMC73M-1F300JR	R349	241 2407 082	Carbon film 2.2ohm	RD14S1J2R2J
R309		Carbon film 10kohm	RD14S1J103JQ	R350	241 2407 082	Carbon film 2.2ohm	RD14S1J2R2J
R310		Carbon film 10kohm	RD14S1J103JQ	R351		Chip 22kohm	RNC223J1-16
R311		Chip 47ohm	RNC470J1-16	R352		Chip 22kohm	RNC223J1-16
R312		Chip 47ohm	RNC470J1-16	R353		Chip 20kohm	RMC73M-1F203JR
R313		Chip 430ohm	RMC73M-1F431JR	R354		Chip 20kohm	RMC73M-1F203JR
R314		Chip 430ohm	RMC73M-1F431JR	R358		Chip 10kohm	RNC103J1-16
				R359		Chip 10kohm	RNC103J1-16
				R361	244 2043 050	Metal oxide 470ohm 1W	RS08B3A471JS
				R362	244 2043 050	Metal oxide 470ohm 1W	RS08B3A471JS
				R371	244 2043 982	0.22ohm 1W	RE-R22J0001N
				R372	244 2043 982	0.22ohm 1W	RE-R22J0001N
				R373	244 2043 982	0.22ohm 1W	RE-R22J0001N
				R374	244 2043 982	0.22ohm 1W	RE-R22J0001N
				R375		Chip 910ohm	RMZ73M-1F911JR
				R376		Chip 560kohm	RNC564J1-16
				R377		Chip 22kohm	RNC223J1-16
				R378		Chip 470ohm	RNC471J1-16

Ref. No.	Part No.	Part Name	Remarks	Ref. No.	Part No.	Part Name	Remarks
R379		Chip 3.6kohm	RMC73M-1F362JR	R465		Chip 220ohm	RNC221J1-16
R380		Chip 470ohm	RNC471J1-16	R466		Chip 220ohm	RNC221J1-16
R381		Chip 560kohm	RNC564J1-16	R467		Chip 11kohm	RMC73M-1F113JR
R383	241 2400 063	Carbon 7.5kohm	RDL-752J1-16LQ	R468		Chip 11kohm	RMC73M-1F113JR
R384	241 2315 967	Metal film 68ohm 1/4W	RN45B2E680JB-FR	R469		Chip 1.8kohm	RNC182J1-16
R397	241 2402 003	Carbon 30kohm	RDL-303J1-16LQ	R470		Chip 1.8kohm	RNC182J1-16
R398	241 2402 003	Carbon 30kohm	RDL-303J1-16LQ	R471		Chip 6.8ohm	RNC6R8J1-16
R401		Chip 10kohm	RNC103J1-16	R472		Chip 6.8ohm	RNC6R8J1-16
R402		Chip 1.5kohm	RNC152J1-16	R473		Chip 200ohm	RMC73M-1F201JR
R403		Carbon film 12kohm	RD14S1J123JQ	R474		Chip 200ohm	RMC73M-1F201JR
R404		Chip 100ohm	RNC101J1-16	R475		Chip 39ohm	RNC390J1-16
R405		Carbon film 10kohm	RD14S1J103JQ	R476		Chip 39ohm	RNC390J1-16
R406		Chip 47ohm	RNC470J1-16	R477		Chip 100ohm	RNC101J1-16
R407		Chip 430ohm	RMC73M-1F431JR	R478		Chip 100ohm	RNC101J1-16
R408	241 2380 963	Carbon 2.2kohm	RD14S2E222J(NB)	R481	241 2321 087	Carbon 120ohm	RD14S2E121J(NB)
R409	241 2380 963	Carbon 2.2kohm	RD14S2E222J(NB)	R482	241 2321 087	Carbon 120ohm	RD14S2E121J(NB)
R410	241 2315 967	Metal film 68ohm 1/4W	RN45B2E680JNB-FR	R484		Chip 10kohm	RNC103J1-16
R411	241 2377 976	Carbon 130ohm	RD14S2E131J(NB)	R485		Chip 4.7kohm	RNC4R7J1-16
R412	241 2377 976	Carbon 130ohm	RD14S2E131J(NB)	R486		Chip 10kohm	RNC103J1-16
R413		Chip 6kohm	RNC562J1-16	R488		Chip 10kohm	RNC103J1-16
R414		Chip 75kohm	RMC73M-1F753JR	R489		Chip 47ohm	RNC470J1-16
R415		Carbon 9.1kohm	RDL-912J1-16LQ	R490		Chip 4.7kohm	RNC472J1-16
R416	241 2378 920	Carbon 220ohm	RD14S2E221J(NB)	R491		Chip 1kohm	RNC102J1-16
R417	244 2043 982	0.22ohm 1W	RE-R22J0001N	R492		Chip 10kohm	RNC103J1-16
R418	244 2043 982	0.22ohm 1W	RE-R22J0001N	R493		Chip 47kohm	RNC473J1-16
R419	244 2043 982	0.22ohm 1W	RE-R22J0001N	R494		Chip 47kohm	RNC473J1-16
R420	244 2043 982	0.22ohm 1W	RE-R22J0001N	R496		Chip 4.7kohm	RNC472J1-16
R421		Chip 20kohm	RMC73M-1F203JR	R497		Chip 4.7kohm	RNC472J1-16
R422		Chip 20kohm	RMC73M-1F203JR	R498		Chip 4.7kohm	RNC472J1-16
R424		Chip 270kohm	RNC274J1-16	R499		Chip 47ohm	RNC470J1-16
R425	241 2393 002	Carbob 4.7ohm	RD14S1J4R7J	R571		Chip 22kohm	RNC223J1-16
R426		Chip 2.2ohm	RNC223J1-16	R572		Chip 22kohm	RNC223J1-16
R427		Chip 20kohm	RMC73M-1F203JR	R573		Chip 1.2kohm	RNC122J1-16
R428		Chip 10kohm	RNC103J1-16	R574		Chip 1.2kohm	RNC122J1-16
R429		Chip 10kohm	RNC103J1-16	R575	241 2402 003	Carbon 30kohm	RDL-303J1-16LQ
R431	244 2051 987	4.7ohm 1W	RE-4R7J0001N	R576	241 2402 003	Carbon 30kohm	RDL-303J1-16LQ
R433		4.7ohm 1W	RE-4R7J0001N	R577	241 2393 002	Carbon film 4.7ohm	RD14S1J4R7J
R434		4.7ohm 1W	RE-4R7J0001N	R578	241 2393 002	Carbon film 4.7ohm	RD14S1J4R7J
R437		Chip 10kohm	RNC103J1-16	R579	244 2051 987	4.7ohm 1W	RE-4R7J0001N
R438		Chip 13kohm	RMC73M-1F133JR	R580	244 2051 987	4.7ohm 1W	RE-4R7J0001N
R442	241 0185 005	Carbon film 1kohm 1/2W (NB)	RD14S2H102JB	R581		Chip 20kohm	RMC73M-1F203JR
R443		Chip 2.2kohm	RNC222J1-16	R582		Chip 20kohm	RMC73M-1F203JR
R445		Chip 2.2kohm	RNC222J1-16	R583	241 2321 087	Carbon 120ohm	RD14S2E121J(NB)
R451		Chip 470ohm	RNC471J1-16	R584		Chip 390kohm	RNC394J1-16
R452		Chip 470ohm	RNC471J1-16	R585		Chip 10kohm	RNC103J1-16
R453		Chip 62kohm	RMC73M-1F623JR	R586		Chip 20kohm	RNC73M-1F203JR
R454		Chip 62kohm	RMC73M-1F623JR	R587		Chip 4.7kohm	RNC472J1-16
R457		Chip 62kohm	RMC73M-1F623JR	R601	241 2395 097	Carbon 75ohm	RDL-750J1-16LQ
R458		Chip 62kohm	RMC73M-1F623JR	R603	241 2395 097	Carbon 75ohm	RDL-750J1-16LQ
R463		Chip 1.2kohm	RNC122J1-16	R604	241 2400 995	Carbon 10kohm	RDL-103J1-16LQ
R464		Chip 1.2kohm	RNC122J1-16				

Ref. No.	Part No.	Part Name	Remarks
R608	241 2400 979	Carbon 8.2kohm	RDL-822J1-16LQ
R611	241 2400 979	Carbon 8.2kohm	RDL-822J1-16LQ
R612	241 2400 979	Carbon 8.2kohm	RDL-822J1-16LQ
R613	241 2400 995	Carbon 10kohm	RDL-103J1-16LQ
R614	241 2400 995	Carbon 10kohm	RDL-103J1-16LQ
R615	241 2397 008	Carbon 220ohm	RDL-221J1-16LQ
R616	241 2397 008	Carbon 220ohm	RDL-221J1-16LQ
R617	241 2398 007	Carbon 620ohm	RDL-621J1-16LQ
R618	241 2398 007	Carbon 620ohm	RDL-621J1-16LQ
R619	241 2397 008	Carbon 220ohm	RDL-221J1-16LQ
R620	241 2397 008	Carbon 220ohm	RDL-221J1-16LQ
R621	241 2395 097	Carbon 75ohm	RDL-750J1-16LQ
R622	241 2395 097	Carbon 75ohm	RDL-750J1-16LQ
R623	241 2400 995	Carbon 10kohm	RDL-103J1-16LQ
R624	241 2400 995	Carbon 10kohm	RDL-103J1-16LQ
R625	241 2400 995	Carbon film 10kohm	RDL-103J1-16LQ
R626	241 2400 995	Carbon 10kohm	RDL-103J1-16LQ
R677		Chip 2.2kohm	RNC222J1-16
R680		Chip 15kohm	RNC153J1-16
R681		Chip 15kohm	RNC153J1-16
R682		Chip 15kohm	RNC153J1-16
R683		Chip 910ohm	RMC73M-1F911JR
R684		Chip 15kohm	RNC153J1-16
R685		Chip 910ohm	RMC73M-1F911JR
R686		Chip 2.2kohm	RNC222J1-16
R739		Chip 2.2kohm	RNC222J1-16
R740		Chip 2.2kohm	RNC222J1-16
R747		Chip 2.2kohm	RNC222J1-16
R748		Chip 6.8kohm	RNC682J1-16
R749		Chip 6.8kohm	RNC682J1-16
R802		Chip 10kohm	RNC103J1-16
R803		Chip 1kohm	RNC102J1-16
R804		Chip 1kohm	RNC102J1-16
R805		Chip 1kohm	RNC102J1-16
R806		Chip 4.7kohm	RNC472J1-16
R807		Chip 4.7kohm	RNC472J1-16
R808		Chip 220kohm	RNC224J1-16
R809		Chip 10kohm	RNC103J1-16
R810		Chip 10kohm	RNC103J1-16
VR301	9LA W001 61R	Semi fixed resistor 5 kohm	RT6-3H502T
VR302	9LA W001 61R	Semi fixed resistor 5 kohm	RT6-3H502T
VR401	9LA W001 61R	Semi fixed resistor 5 kohm	RT6-3H502T
VR451	9LA Y001 81	Variable resistor 100 kohm	BALANCE
VR452	9LA Y001 82	Variable resistor 30 kohm	BASS
VR453	9LA Y001 83	Variable resistor 10 kohm	TREBLE

Ref. No.	Part No.	Part Name	Remarks
CAPACITORS GROUP			
C301	254 4256 004	Electrolytic 10µF/25V	CE04W1E100MB(SSL)
C302	254 4256 004	Electrolytic 10µF/25V	CE04W1E100MB(SSL)
C303		Ceramic chip 220pF/50V	CC73MSL1H221J
C304		Ceramic chip 220pF/50V	CC73MSL1H221J
C305		Ceramic chip 220pF/50V	CC73MSL1H221J
C306		Ceramic chip 220pF/50V	CC73MSL1H221J
C307		Ceramic chip 6800pF/50V	CK73MB1H682J
C308		Ceramic chip 6800pF/50V	CK73MB1H682J
C309		Ceramic chip 100pF/50V	CC73MSL1H101J
C310		Ceramic chip 100pF/50V	CC73MSL1H101J
C311	254 4256 059	Electrolytic 220µF/25V	CE04W1E221MB(SSL)
C312	254 4256 059	Electrolytic 220µF/25V	CE04W1E221MB(SSL)
C313	255 4199 986	Mylar film 1000pF/50V	CQ92M1H102KB
C314	255 4199 986	Mylar film 1000pF/50V	CQ92M1H102KB
C315	255 4199 986	Mylar film 1000pF/50V	CQ92M1H102KB
C316	255 4199 986	Mylar film 1000pF/50V	CQ92M1H102KB
C317		Ceramic 18pF/500V	CC45SL2H180KB
C318		Ceramic D36918pF/500V	CC45SL2H180KB
C319	254 4260 045	Electrolytic 1µF/50V	CE04W1H1R0MB(SS)
C320	254 4260 045	Electrolytic 1µF/50V	CE04W1H1R0MB(SS)
C321	255 1134 025	Mylar film 0.01µF/50V	CQ92M1H103KB
C322	255 1134 025	Mylar film 0.01µF/50V	CQ92M1H103KB
C325	053 1028 009	Ceramic 220pF/500V	CK45B2H221KB
C326	253 1028 009	Ceramic 220pF/500V	CK45B2H221KB
C327	255 1134 025	Mylar film 0.01µF/50V	CQ92M1H103KB
C331	254 4260 074	Electrolytic 4.7µF/50V	CE04W1H4R7MB(SSL)
C332	254 4260 074	Electrolytic 4.7µF/50V	CE04W1H4R7MB(SSL)
C333	254 4260 074	Electrolytic 4.7µF/50V	CE04W1H4R7MB(SSL)
C334	254 4260 074	Electrolytic 4.7µF/50V	CE04W1H4R7MB(SSL)
C351	9LA L004 71	8200µ/50v	8200µ/50v
C352	9LA L004 71	8200µ/50v	8200µ/50v
C355	255 1131 002	Mylar film 0.1µF/100V	MYL-ECQB2104KF3
C356	255 1134 054	Mylar film 0.1µF/50V	CQ92M1H104KB
C357	255 1134 054	Mylar film 0.1µF/50V	CQ92M1H104KB
C358	254 4260 045	Electrolytic 1µF/50V	CE04W1H1R0MB(SS)
C359	254 4260 045	Electrolytic 1µF/50V	CE04W1H1R0MB(SS)
C365		Ceramic 0.01µF	CCT103M16D3
C366		Ceramic 0.01µF	CCT103M16D3
C399	255 1134 054	Mylar film 0.1µF/50V	CQ92M1H104KB
C401	254 4256 004	Electrolytic 10µF/25V	CE04W1E100MB(SSL)
C402		Ceramic chip 2200pF/50V	CK73MSL1H222K
C403		Ceramic chip 220pF/50V	CC73MSL1H221J
C404		Ceramic chip 0.012µF/50V	CK73MB1H123K
C405		Ceramic chip 100pF/50V	CC73MSL1H101J
C406	254 4256 059	Electrolytic 220µF/25V	CE04W1E221MB(SSL)
C407	255 4199 986	Mylar film 1000pF/50V	CQ92M1H102KB
C408	255 4199 986	Mylar film 1000pF/50V	CQ92M1H102KB
C409		Ceramic chip 33pF/500V	CC45SL2H330KB
C410	254 4260 045	Electrolytic 1µF/50V	CE04W1H1R0MB(SS)
C411	255 4213 972	Mylar film 0.01µF/50V	CQ92M1H103KB

Ref. No.	Part No.	Part Name	Remarks	Ref. No.	Part No.	Part Name	Remarks
C421	254 4260 074	Electrolytic 4.7µF/50V	CE04W1H4R7MB(SSL)	C590		Ceramic chip 0.01µF/50V	CK73MB1H103K
C422	254 4260 074	Electrolytic 4.7µF/50V	CE04W1H4R7MB(SSL)	C591		Ceramic chip 0.01µF/50V	CK73MB1H103K
C425	253 1028 009	Ceramic 220pF/500V	CK45B2H221KB	C592	254 4256 033	Electrolytic 47µF/25V	CE04W1E470MB(SSL)
C431	255 1134 054	Mylar film 0.1µF/50V	CQ92M1H104KEB	C593	254 4256 004	Electrolytic 10µF/25V	CE04W1E100MB(SSL)
C432		Ceramic chip 0.01µF	CCT103M16D3	C594		Ceramic chip 0.01µF/50V	CK73MB1H103K
C433	255 4224 945	Mylar film 0.1µF/50V	CQ92M1H104KEB	C601	254 4256 033	Electrolytic 47µF/25V	CE04W1E470MB(SSL)
C434	255 4224 945	Mylar film 0.1µF/50V	CQ92M1H104KEB	C602	254 4256 033	Electrolytic 47µF/25V	CE04W1E470MB(SSL)
C451	254 4256 004	Electrolytic 10µF/25V	CE04W1E100MB(SSL)	C604	254 4254 080	Electrolytic 1000µF/16V	CE04W1C102MF
C452	254 4256 004	Electrolytic 10µF/25V	CE04W1E100MB(SSL)	C605		Ceramic chip 5pF	CCT5R050D3
C455		Ceramic chip 100pF/50V	CC73MSL1H101J	C606		Ceramic chip 5pF	CCT5R050D3
C456		Ceramic chip 100pF/50V	CC73MSL1H101J	C607	254 4252 079	Electrolytic 1000µF/10V	CE04W1A102MF
C457	254 4256 033	Electrolytic 47µF/25V	CE04W1E470MB(SSL)	C608	254 4252 079	Electrolytic 1000µF/10V	CE04W1A102MF
C458	254 4256 033	Electrolytic 47µF/25V	CE04W1E470MB(SSL)	C671		Ceramic chip 0.01µF/50V	CK73MB1H103K
C459		Ceramic chip 2200pF/50V	CK73MB1H222K	C672		Ceramic chip 0.01µF/50V	CK73MB1H103K
C460		Ceramic chip 2200pF/50V	CK73MB1H222K	C675	254 4256 046	Electrolytic 100µF/25V	CE04W1E101MB(SSL)
C461	256 1034 004	Mylar film 0.18µF	CQM-184J500R	C676	254 4256 046	Electrolytic 100µF/25V	CE04W1E101MB(SSL)
C462	256 1034 004	Mylar film 0.18µF	CQM-184J500R	C677		Ceramic chip 0.01µF/50V	CK73MB1H103K
C463	254 4260 045	Electrolytic 1µF/50V	CE04W1H1R0MB(SSL)	C801	254 4250 084	Electrolytic 3300µF/6.3V	CE04W0J332M
C464	254 4260 045	Electrolytic 1µF/50V	CE04W1H1R0MB(SSL)	C802		Ceramic chip 0.01µF/50V	CK73MB1H103K
C467		Ceramic chip 0.012µF/50V	CK73MB1H123K	C803		Ceramic chip 0.01µF/50V	CK73MB1H103K
C468		Ceramic chip 0.012µF/50V	CK73MB1H123K	C804	254 4260 074	Electrolytic 4.7µF/50V	CE04W1H4R7MB(SSL)
C469		Ceramic chip 0.056µF/16V	CK73MB1C563K	C805	255 4199 915	Mylar film 0.12µF	CQM-124J500R
C470		Ceramic chip 0.056µF/16V	CK73MB1C563K	C806	254 4250 039	Electrolytic 220µF/6.3V	CE04W0J221MB(SME)
C471	254 4196 928	Electrolytic 0.33µF/50V	CE04W1HR33(SRA)	C807		Ceramic chip 0.01µF/50V	CK73MB1H103K
C472	254 4196 928	Electrolytic 0.33µF/50V	CE04W1HR133(SRA)	C921	254 4250 039	Electrolytic 47µF/25V	CE04W1E470MB(SSL)
C473		Ceramic chip 0.047µF/50V	CK73MF1H473Z				
C474		Ceramic chip 0.022µF/50V	CK73MF1H223Z				
C481	254 4256 033	Electrolytic 47µF/25V	CE04W1E470MB(SSL)				
C482	254 4256 042	Electrolytic 330µF/6.3V	CE04W0J331MB				
C498		Ceramic chip 0.1µF/25V	CK73MF1E104Z				
C499		Ceramic chip 0.1µF/25V	CK73MF1E104Z				
C526		Ceramic chip 0.01µF	CCT103M16D3				
C571	254 4260 058	Electrolytic 2.2µF/50V	CE04W1H2R2MB(SSL)				
C572	254 4260 058	Electrolytic 2.2µF/50V	CE04W1H2R2MB(SSL)				
C573		Ceramic chip 4700pF/50V	CK73MB1H472K				
C574		Ceramic chip 4700pF/50V	CK73MB1H472K				
C575		Ceramic chip 100pF/50V	CC73MSL1H101J				
C576		Ceramic chip 100pF/50V	CC73MSL1H101J				
C577	254 4256 033	Electrolytic 47µF/25V	CE04W1E470MB(SSL)				
C578	254 4256 033	Electrolytic 47µF/25V	CE04W1E470MB(SSL)				
C579	254 4260 045	Electrolytic 1µF/50V	CE04W1H1R0MB(SSL)				
C580	254 4260 045	Electrolytic 1µF/50V	CE04W1H1R0MB(SSL)				
C581	254 4260 045	Electrolytic 1µF/50V	CE04W1H1R0MB(SSL)				
C582	254 4260 045	Electrolytic 1µF/50V	CE04W1H1R0MB(SSL)				
C583	255 1134 054	Mylar film 0.1µF/50V	CQ92M1H104KEB				
C584	255 1134 054	Mylar film 0.1µF/50V	CQ92M1H104KEB				
C585	256 1034 076	Mylar film 0.1µF/100V	MYL-ECQB2104KF3				
C586	254 4261 772	Electrolytic 2200µF	CE04W1F222				
C587	254 4261 772	Electrolytic 2200µF	CE04W1F222				
C588	254 4256 004	Electrolytic 10µF/25V	CE04W1E100MB(SSL)				
C589	254 4256 004	Electrolytic 10µF/25V	CE04W1E100MB(SSL)				
OTHER PARTS GROUP							
			CN004A			4P PH Pinpost	
			CN004B			4P PH B-C Connector	L=80
			CN005A			4P MX Pinpost	
			CN006A			6P PIN Header	
			CN007A			8P PIN Header	
			CN008A			7P PIN Header	
			CN009A			10P PIN Header	
			CN010A			10P PIN Header	
			CN013A			13P PIN Header	
			CN015C			10P PIN Header	
			CN015D			10P PIN Header	
			CN016A			10P PIN Header	
			CN017			6P TSB Connector	L=100
			CN018A			2P TXL Pinpost	
			CN018B			2P TXL B-C Connector	L=350
			CN025A	9LE D007 92		FFC Connector	
			JK002	9LE R002 41		1P USPIN Jack	
			JK003	9LE R002 26		2P USPIN Jack	
			JK502	9L2 6950 13		Headphones jack	

FL P.W.B. ASS'Y

Ref. No.	Part No.	Part Name	Remarks	Ref. No.	Part No.	Part Name	Remarks
JK601	9LE R002 33	4P USPIN Jack		SEMICONDUCTORS GROUP			
L301	9L2 2273 63	Audio trap coil		IC001	263 0891 001	IC LA1265S	
L302	9L2 2273 63	Audio trap coil		IC002	9LC P030 61	IS LA6401	
L401	9L2 2273 63	Audio trap coil		IC003	262 2348 009	IC LM7001	
L571	9L2 2273 63	Audio trap coil		IC101	263 0672 903	IC BA4558F	
L572	9L2 2273 63	Audio trap coil		IC102	9LC P030 51	IC LC78212	
RL481	9L2 6413 21	Speaker relay	DC24V	IC103	263 0672 903	IC BA4558F	
RL482	9L2 6413 21	Speaker relay	DC24V	IC201	263 0906 006	IC NJM2177AF	
RL571	9L2 6413 21	Speaker relay	DC24V	IC202	9LC K050 32	IC NJU9702G	
SW001	9LF E001 81	Speaker switch		IC203	262 1875 900	IC BU4066BCF	
SP003	9LE U004 01	Speaker terminal		IC205	262 1875 900	IC BU4066BCF	
SP301	9LE U003 81	Speaker terminal		IC261	263 0672 903	IC BA4558F	
SP501	9LE U000 86	Speaker terminal		IC263	263 0672 903	IC BA4558F	
TP-L		3P MX Pinpost		IC265	263 0905 007	IC BA6208F	
TP-R		3P MX Pinpost		IC266	262 0625 009	IC TC9176P	
TP-C		3P MX Pinpost		IC701	262 2455 002	IC TMP87CM71F-6668	
				IC702	9LH N000 31	IC SBX1910-52	
				TR002	273 0434 902	Transistor 2SC2058S(Q)	
				TR003	269 0046 906	Transistor DTA114ES	
				TR004	269 0046 906	Transistor DTA114ES	
				TR005	273 0198 002	Transistor 2SC1815Y	
				TR006	275 0053 907	Transistor 2SK365(BL/GR)	
				TR007	269 0072 909	Transistor DTC323TS	
				TR008	269 0072 909	Transistor DTC323TS	
				TR009	269 0079 902	Transistor DTC144TS	
				TR010	269 0080 904	Transistor DTA114TS	
				TR201	UDM D010 434	Transistor DTA114EKA	
				TR202	269 0054 901	Transistor DTC114EKA	
				TR203	269 0054 901	Transistor DTC144EKA	
				TR205	269 0054 901	Transistor DTC144EKA	
				TR206		Transistor DTC143EKA	
				TR207	269 0054 901	Transistor DTC144EKA	
				TR208	269 0054 901	Transistor DTC144EKA	
				TR209	269 0054 901	Transistor DTC144EKA	
				TR210	273 0303 910	Transistor 2SC1740S(S)	
				TR552	273 0303 910	Transistor 2SC1740S(S)	
				TR701	269 0020 906	Transistor DTC114ES	
				TR702	269 0020 906	Transistor DTC114ES	
				TR703	269 0062 906	Transistor DTC124ES	
				D001	276 0401 905	Diode 1SS133	
				D002	276 0401 905	Diode 1SS133	
				D003	276 0401 905	Diode 1SS133	
				D006	9L2 3980 64	Diode IN4001-U01	

Ref. No.	Part No.	Part Name	Remarks	Ref. No.	Part No.	Part Name	Remarks
D202	276 0401 905	Diode 1SS133		R035	241 2403 934	Carbon 100kohm	RDL-104J1-16LQ
D203	276 0401 905	Diode 1SS133		R036	241 2399 970	Carbon 3.3kohm	RDL-332J1-16LQ
D204	276 0401 905	Diode 1SS133		R037	241 2403 934	Carbon 100kohm	RDL-104J1-16LQ
D205	276 0401 905	Diode 1SS133		R038	241 2403 934	Carbon 100kohm	RDL-104J1-16LQ
D261	276 0401 905	Diode 1SS133		R039	241 2399 019	Carbon 1.8kohm	RDL-182J1-16LQ
D551	276 0401 905	Diode 1SS133		R040	241 2399 019	Carbon 1.8kohm	RDL-182J1-16LQ
D552	9L2 3980 64	Diode IN4001-U01		R041	241 2400 953	Carbon 6.8kohm	RDL-682J1-16LQ
D553	9L2 3980 64	Diode IN4001-U01		R042	241 2400 953	Carbon 6.8kohm	RDL-682J1-16LQ
D554	9L2 3980 64	Diode IN4001-U01		R043	241 2401 059	Carbon 18kohm	RDL-183J1-16LQ
D555	9L2 3980 64	Diode IN4001-U01		R044	241 2400 995	Carbon 10kohm	RDL-103J1-16LQ
D556	9L2 3980 64	Diode IN4001-U01		R045	241 2400 995	Carbon 10kohm	RDL-103J1-16LQ
D557	9L2 3980 64	Diode IN4001-U01		R046	241 2400 034	Carbon 5.6kohm	RDL-562J1-16LQ
D701	276 0401 905	Diode 1SS133		R050	241 2396 025	Carbon 100ohm	RDL-101J1-16LQ
D702	276 0401 905	Diode 1SS133		R051	241 2403 934	Carbon 100kohm	RDL-104J1-16LQ
D703	276 0401 905	Diode 1SS133		R052	241 2403 934	Carbon 100kohm	RDL-104J1-16LQ
ZD201	9L2 3390 31Q	Zener diode HZS6C1L		R065	241 2400 911	Carbon 4.7kohm	RDL-472J1-16LQ
ZD701	9L2 3390 73Q	Zener diode HZS9A3L		R101		Chip 390ohm	RNC391J1-16
LD701	9L2 3984 05	LED SLR54VC3F		R102		Chip 390ohm	RNC391J1-16
LD702	9L2 3984 05	LED SLR54VC3F		R103		Chip 68kohm	RNC683J1-16
RESISTORS GROUP				R104		Chip 68kohm	RNC683J1-16
R005	241 2398 052	Carbon 1kohm	RDL-102J1-16LQ	R105		Chip 150kohm	RNC154J1-16
R007	241 2400 911	Carbon 4.7kohm	RDL-472J1-16LQ	R106		Chip 150kohm	RNC154J1-16
R008	241 2397 943	Carbon 330ohm	RDL-331J1-16LQ	R107		Chip 47ohm	RNC470J1-16
R009	241 2397 008	Carbon 220ohm	RDL-221J1-16LQ	R108		Chip 47ohm	RNC470J1-16
R010	241 2399 019	Carbon 1.8kohm	RDL-182J1-16LQ	R109		Chip 750ohm	RMC73M-F751JR
R011	241 2398 052	Carbon 1kohm	RDL-102J1-16LQ	R110		Chip 750ohm	RMC73M-F751JR
R014	241 2396 025	Carbon 100ohm	RDL-101J1-16LQ	R111		Chip 560kohm	RNC564J1-16
R015	241 2400 979	Carbon 8.2kohm	RDL-822J1-16LQ	R112		Chip 560kohm	RNC564J1-16
R016	241 2399 996	Carbon 3.9kohm	RDL-392J1-16LQ	R113		Chip 47kohm	RNC473J1-16
R017	241 2397 066	Carbon 390ohm	RDL-391J1-16LQ	R114		Chip 47kohm	RNC473J1-16
R018	241 2396 960	Carbon 150ohm	RDL-151J1-16LQ	R115		Chip 22ohm	RNC220J1-16
R019	241 2396 025	Carbon 100ohm	RDL-101J1-16LQ	R116		Chip 22ohm	RNC220J1-16
R020	241 2401 936	Carbon 15kohm	RDL-153J1-16LQ	R117		Chip 100ohm	RNC101J1-16
R021	241 2396 944	Carbon 120ohm	RDL-121J1-16LQ	R118		Chip 100ohm	RNC101J1-16
R022	241 2402 935	Carbon 39kohm	RDL-393J1-16LQ	R119		Chip 470kohm	RNC474J1-16
R024	241 2400 953	Carbon 6.8kohm	RDL-682J1-16LQ	R120		Chip 470kohm	RNC474J1-16
R025	241 2400 995	Carbon 10kohm	RDL-103J1-16LQ	R121		Chip 1Mohm	RNC105J1-16
R026	241 2400 995	Carbon 10kohm	RDL-103J1-16LQ	R122		Chip 1Mohm	RNC105J1-16
R027	241 2399 970	Carbon 3.3kohm	RDL-332J1-16LQ	R123		Chip 1Mohm	RNC105J1-16
R028	241 2400 089	Carbon 9.1kohm	RDL-912J1-16LQ	R124		Chip 1Mohm	RNC105J1-16
R029	241 2402 090	Carbon 68kohm	RDL-683J1-16LQ	R125		Chip 1Mohm	RNC105J1-16
R030	241 2402 980	Carbon 62kohm	RDL-623J1-16LQ	R126		Chip 1Mohm	RNC105J1-16
R031	241 2402 980	Carbon 62kohm	RDL-623J1-16LQ	R127		Chip 1Mohm	RNC105J1-16
R032	241 2403 934	Carbon 100kohm	RDL-104J1-16LQ	R128		Chip 1Mohm	RNC105J1-16
R033	241 2403 950	Carbon 120kohm	RDL-124J1-16LQ	R133		Chip 470ohm	RNC471J1-16
R034	241 2403 950	Carbon 120kohm	RDL-124J1-16LQ	R134		Chip 470ohm	RNC471J1-16
				R135		Chip 470ohm	RNC471J1-16
				R136		Chip 470ohm	RNC471J1-16
				R137		Chip 470ohm	RNC471J1-16
				R138		Chip 470ohm	RNC471J1-16
				R139		Chip 470ohm	RNC471J1-16

Ref. No.	Part No.	Part Name	Remarks	Ref. No.	Part No.	Part Name	Remarks
R140		Chip 470ohm	RNC471J1-16	R239		Chip 100ohm	RNC101J1-16
R141		Chip 470ohm	RNC471J1-16	R240		Chip 100ohm	RNC101J1-16
R142		Chip 470ohm	RNC471J1-16	R241		Chip 47kohm	RNC473J1-16
R143		Chip 470ohm	RNC471J1-16	R242		Chip 47kohm	RNC473J1-16
R144		Chip 470ohm	RNC471J1-16	R243		Chip 100kohm	RNC104J1-16
R145		Chip 680kohm	RNC684J1-16	R251		Chip 2.2kohm	RNC222J1-16
R151		Chip 12kohm	RNC123J1-16	R252		Chip 2.2kohm	RNC222J1-16
R152		Chip 12kohm	RNC123J1-16	R253		Chip 4.7kohm	RNC472J1-16
R153		Chip 56kohm	RNC563J1-16	R254		Chip 4.7kohm	RNC472J1-16
R154		Chip 56kohm	RNC563J1-16	R265		Chip 220kohm	RNC224J1-16
R155		Chip 100kohm	RNC104J1-16	R266		Chip 1kohm	RNC102J1-16
R156		Chip 100kohm	RNC104J1-16	R267		Chip 3.3kohm	RNC332J1-16
R157		Chip 100ohm	RNC101J1-16	R268		Chip 100ohm	RNC101J1-16
R158		Chip 100ohm	RNC101J1-16	R269		Chip 100kohm	RNC104J1-16
R159		Chip 100ohm	RNC101J1-16	R270		Chip 100kohm	RNC104J1-16
R160		Chip 100ohm	RNC101J1-16	R271		Chip 220kohm	RNC224J1-16
R201		Chip 7.5kohm	RMC73M-1F752JR	R272		Chip 1kohm	RNC102J1-16
R202		Chip 47kohm	RNC473J1-16	R273		Chip 3.3kohm	RNC332J1-16
R203		Chip 15kohm	RNC153J1-16	R274		Chip 100ohm	RNC101J1-16
R204		Chip 7.5kohm	RMC73M-1F752JR	R280		Chip 100ohm	RNC101J1-16
R205		Chip 47kohm	RNC473J1-16	R281		Chip 470kohm	RNC474J1-16
R206		Chip 15kohm	RNC153J1-16	R282		Chip 1kohm	RNC102J1-16
R207		Chip 7.5kohm	RMC73M-1F752JR	R283		Chip 5.6kohm	RNC562J1-16
R208		Chip 56kohm	RNC563J1-16	R284		Chip 33kohm	RNC333J1-16
R209		Chip 56kohm	RNC563J1-16	R285		Chip 470kohm	RNC474J1-16
R210		Chip 100kohm	RNC104J1-16	R286		Chip 100ohm	RNC101J1-16
R211		Chip 100kohm	RNC104J1-16	R287		Chip 1kohm	RNC102J1-16
R212		Chip 15kohm	RNC153J1-16	R288		Chip 5.6kohm	RNC562J1-16
R213		Chip 8.2kohm	RNC822J1-16	R290		Chip 33kohm	RNC333J1-16
R214		Chip 15kohm	RNC153J1-16	R296		Chip 10kohm	RNC103J1-16
R215		Chip 330kohm	RNC334J1-16	R297		Chip 10kohm	RNC103J1-16
R218		Chip 47kohm	RNC473J1-16	R298	241 2321 032	Carbon 4.7ohm	RD14S2E4R7J(NB)
R219		Chip 47kohm	RNC473J1-16	R301	241 2396 025	Carbon 100ohm	RDL-101J1-16
R220		Chip 47kohm	RNC473J1-16	R302	241 2396 025	Carbon 100ohm	RDL-101J1-16
R221		Chip 8.2kohm	RNC822J1-16	R590	241 2400 911	Carbon 4.7kohm	RDL-472J1-16LQ
R222		Chip 8.2kohm	RNC822J1-16	R591	241 2400 911	Carbon 10kohm	RDL-103J1-16LQ
R223		Chip 8.2kohm	RNC822J1-16	R592	241 2375 978	Carbon 20ohm	RD14S2E200J(NR)
R224		Chip 1Mohm	RNC105J1-16	R701	241 2398 052	Carbon 1kohm	RDL-102J1-16LQ
R225		Chip 15kohm	RNC153J1-16	R702	241 2396 979	Carbon 200ohm	RDL-201J1-16LQ
R226		Chip 18kohm	RNC183J1-16	R703	241 2397 037	Carbon 300ohm	RDL-301J1-16LQ
R227		Chip 15kohm	RNC153J1-16	R704	241 2397 082	Carbon 510ohm	RDL-511J1-16LQ
R228		Chip 20ohm	RMC73M-1F200JR	R707	241 2398 052	Carbon 1kohm	RDL-102J1-16LQ
R229		Chip 20ohm	RMC73M-1F200JR	R708	241 2396 999	Carbon 200ohm	RDL-201J1-16LQ
R230		Chip 7.5kohm	RMC73M-1F752JR	R709	241 2397 037	Carbon 300ohm	RDL-301J1-16LQ
R231		Chip 5.6kohm	RNC562J1-16	R710	241 2397 082	Carbon 510ohm	RDL-511J1-16LQ
R232		Chip 18kohm	RNC183J1-16	R711	241 2398 052	Carbon 1kohm	RDL-102J1-16LQ
R233		Chip 47kohm	RNC473J1-16	R712	241 2399 064	Carbon 3kohm	RDL-302J1-16LQ
R234		Chip 47kohm	RNC473J1-16	R713	241 2398 052	Carbon 1kohm	RDL-102J1-16LQ
R235		Chip 47kohm	RNC473J1-16	R719	241 2398 052	Carbon 1kohm	RDL-102J1-16LQ
R236	241 2321 045	Carbon 220ohm	RD14S2E221J(NB)				
R237		Chip 1kohm	RNC102J1-16				

Ref. No.	Part No.	Part Name	Remarks
R720	241 2396 999	Carbon 200ohm	RDL-201J1-16LQ
R721	241 2397 037	Carbon 300ohm	RDL-301J1-16LQ
R722	241 2397 082	Carbon 510ohm	RDL-511J1-16LQ
R723	241 2398 052	Carbon 1kohm	RDL-102J1-16LQ
R724	241 2399 064	Carbon 3kohm	RDL-302J1-16LQ
R725	241 2398 052	Carbon 1kohm	RDL-102J1-16LQ
R726	241 2396 979	Carbon 200ohm	RDL-201J1-16LQ
R727	241 2397 037	Carbon 300ohm	RDL-301J1-16LQ
R728	241 2397 082	Carbon 510ohm	RDL-511J1-16LQ
R729	241 2398 052	Carbon 1kohm	RDL-102J1-16LQ
R730	241 2399 064	Carbon 3kohm	RDL-302J1-16LQ
R731	241 2400 911	Carbon 4.7kohm	RDL-472J1-16LQ
R732	241 2398 052	Carbon 1kohm	RDL-102J1-16LQ
R733	241 2399 051	Carbon 2.7kohm	RDL-272J1-16LQ
R734	241 2400 092	Carbon 10kohm	RDL-103J1-16LQ
R735	241 2400 092	Carbon 10kohm	RDL-103J1-16LQ
R736	241 2400 092	Carbon 10kohm	RDL-103J1-16LQ
R737	241 2400 092	Carbon 10kohm	RDL-103J1-16LQ
R738		Carbon 2kohm	RDL-202J1-16LQ
R742	241 2397 943	Carbon 330ohm	RDL-331J1-16LQ
R743	241 2397 943	Carbon 330ohm	RDL-331J1-16LQ
R744	241 2397 943	Carbon 330ohm	RDL-331J1-16LQ
R745	241 2400 092	Carbon 10kohm	RDL-103J1-16LQ
VR261	9LA Y001 71	Variable resistor 100kohm	Master volume

CAPACITORS GROUP

C004		Ceramic 12pF/50V	CCT120J50D3
C007		Ceramic 0.01µF/16V	CCT103M16D3
C008		Ceramic 0.01µF/16V	CCT103M16D3
C011	254 3056 917	Electrolytic 1µF/50V	CE04W1H1R0MB(BP)
C013	254 4196 009	Electrolytic 0.1µF/50V	CE04W1H0R1M(SRA)
C014		Ceramic 0.022µF/50V	CCT223Z50D3
C016		Ceramic 100pF/50V	CCT101Z50D3
C017		Ceramic 0.01µF/16V	CCT103M16D3
C018		Ceramic 0.01µF/16V	CCT103M16D3
C019	254 4260 032	Electrolytic 0.47µF/50V	CE04W1HR47MB(SSL)
C020	254 4260 045	Electrolytic 1µF/50V	CE04W1H1R0MB(SSL)
C021	254 4260 087	Electrolytic 10µF/50V	CE04W1H100MB(SSL)
C022		Ceramic 0.022µF/50V	CCT223Z50D3
C023		Ceramic 100pF/50V	CCT101J50D3
C024	255 1135 095	Mylar film 0.056µF/50V	CQ92M1H563JB
C025	254 4260 993	Electrolytic 22µF/50V	CE04W1H220MB(SSL)
C027	254 4260 993	Electrolytic 22µF/50V	CE04W1H220MB(SSL)
C028	254 4260 045	Electrolytic 1µF/50V	CE04W1H1R0MB(SSL)
C029		Ceramic 0.01µF/16V	CCT103M16D3
C031		Ceramic 0.01µF/16V	CCT103M16D3
C033	253 3125 007	Ceramic 15pF/50V	CCT150J50D3
C034	253 3125 007	Ceramic 15pF/50V	CCT150J50D3
C035	255 1134 041	Mylar film 0.047µF/50V	CQ92M1H473JB
C036		Ceramic 0.01µF/16V	CCT103M16D3
C037		Ceramic 0.01µF/16V	CCT103M16D3

Ref. No.	Part No.	Part Name	Remarks
C039		Ceramic 0.01µF/16V	CCT103M16D3
C040	254 4260 045	Electrolytic 1µF/50V	CE04W1H1R0MB(SSL)
C041	254 4256 033	Electrolytic 47µF/25V	CE04W1E470MB(SSL)
C042	254 4260 045	Electrolytic 1µF/50V	CE04W1H1R0MB(SSL)
C043	254 4196 012	Electrolytic 0.22µF/50V	CE04W1HR22(SRA)
C044	254 4260 045	Electrolytic 1µF/50V	CE04W1H1R0MB(SSL)
C045		Ceramic 0.01µF/16V	CCT103M16D3
C046	254 4260 058	Electrolytic 2.2µF/50V	CE04W1H2R2MB(SSL)
C047	254 4260 058	Electrolytic 2.2µF/50V	CE04W1H2R2MB(SSL)
C048	254 4260 045	Electrolytic 1µF/50V	CE04W1H1R0MB(SSL)
C049		Ceramic 0.01µF/16V	CCT103M16D3
C051	254 4260 058	Electrolytic 2.2µF/50V	CE04W1H2R2MB(SSL)
C052	254 4260 087	Electrolytic 10µF/50V	CE04W1H100MB(SSL)
C053		Ceramic 680pF/50V	CCT681K50D3
C054		Ceramic 680pF/50V	CCT681K50D3
C056		Ceramic 0.01µF/16V	CCT103M16D3
C057		Ceramic 0.01µF/16V	CCT103M16D3
C059		Ceramic 0.01µF/16V	CCT103M16D3
C060		Ceramic 0.01µF/16V	CCT103M16D3
C065		Ceramic 0.01µF/16V	CCT103M16D3
C101		Ceramic 220pF/50V	CC73MSL1H221J
C102		Ceramic 220pF/50V	CC73MSL1H221J
C103	254 4256 004	Electrolytic 10µF/25V	CE04W1E100MB(SSL)
C104	254 4256 004	Electrolytic 10µF/25V	CE04W1E100MB(SSL)
C105		Ceramic 100pF/50V	CC73MSL1H101J
C106		Ceramic 100pF/50V	CC73MSL1H101J
C107	254 4254 022	Electrolytic 33µF/16V	CE04W1C330MB(SSL)
C108	254 4254 022	Electrolytic 33µF/16V	CE04W1C330MB(SSL)
C109	255 1251 982	Mylar film 5600pF/50V	CQ92M1H562JB
C110	255 1251 982	Mylar film 5600pF/50V	CQ92M1H562JB
C111		Ceramic 1500pF/50V	CK73M1H1 1 52K
C112		Ceramic 1500pF/50V	CK73M1H1 1 52K
C113		Ceramic 0.01µF/50V	CK73M1H1 1 03Z
C114		Ceramic 0.01µF/50V	CK73M1H1 1 03Z
C115	254 4260 058	Electrolytic 2.2µF/50V	CE04W1H2R2MB(SSL)
C116	254 4260 058	Electrolytic 2.2µF/50V	CE04W1H2R2MB(SSL)
C129		Ceramic 0.1µF/25V	CK73M1H1E1 04Z
C130		Ceramic 0.1µF/25V	CK73M1H1E1 04Z
C131		Ceramic 0.1µF/25V	CK73M1H1E1 04Z
C133	254 4260 045	Electrolytic 1µF/50V	CE04W1H1R0MB(SSL)
C136		Ceramic 0.022µF/50V	CK73M1H2 23Z
C137		Ceramic 0.022µF/50V	CK73M1H2 23Z
C138		Ceramic 0.022µF/50V	CK73M1H2 23Z
C139		Ceramic 2200pF/50V	CK73M1H2 22M
C151	254 4256 004	Electrolytic 10µF/25V	CE04W1E100MB(SSL)
C152	254 4256 004	Electrolytic 10µF/25V	CE04W1E100MB(SSL)
C153		Ceramic 100pF/50V	CC73MSL1H1101J
C154		Ceramic 100pF/50V	CC73MSL1H1101J
C155	254 4260 045	Electrolytic 1µF/50V	CE04W1H1R0MB(SSL)
C156	254 4260 045	Electrolytic 1µF/50V	CE04W1H1R0MB(SSL)

Ref. No.	Part No.	Part Name	Remarks	Ref. No.	Part No.	Part Name	Remarks
C201	255 4224 945	Mylar film 0.1µF/50V	CQ92M1H104KB	C253		Ceramic 5600pF/50V	CK73MB1H562K
C202	255 4224 945	Mylar film 0.1µF/50V	CQ92M1H104KB	C254		Ceramic 5600pF/50V	CK73MB1H562K
C203		Ceramic 680pF/50V	CC73MSL1H681J	C255		Ceramic 0.1µF/25V	CK73MF1E104Z
C204	255 4212 054	Mylar film 0.047µF/50V	CQ92M1H473KB	C256	254 4256 004	Electrolytic 10µF/25V	CE04W1E100MB(SSL)
C205	255 4224 945	Mylar film 0.1µF/50V	CQ92M1H104KB	C257	254 4252 037	Electrolytic 100µF/10V	CE04W1A101MB
C206	255 4224 945	Mylar film 0.1µF/50V	CQ92M1H104KB	C258	254 4256 033	Electrolytic 47µF/25V	CE04W1E470MB(SSL)
C207		Ceramic 680pF/50V	CC73MSL1H681J	C259		Ceramic 220pF/50V	CC73MCH1H221J
C208	255 4212 054	Mylar film 0.047µF/50V	CQ92M1H473KB	C260		Ceramic 220pF/50V	CC73MCH1H221J
C209	254 4260 993	Electrolytic 22µF/50V	CE04W1H220MB(SSL)	C261	254 4260 045	Electrolytic 1µF/50V	CE04W1H1R0MB(SSL)
C210	254 4256 004	Electrolytic 10µF/25V	CE04W1E100MB(SSL)	C262	254 4260 045	Electrolytic 1µF/50V	CE04W1H1R0MB(SSL)
C211	254 4256 004	Electrolytic 10µF/25V	CE04W1E100MB(SSL)	C265	254 4256 004	Electrolytic 10µF/25V	CE04W1E100MB(SSL)
C212	254 4252 037	Electrolytic 100µF/10V	CE04W1A101MB	C266	254 4256 004	Electrolytic 10µF/25V	CE04W1E100MB(SSL)
C213	255 1241 940	Mylar film 4700pF/50V	CQ92M1H472JB	C268	254 4256 004	Electrolytic 10µF/25V	CE04W1E100MB(SSL)
C214	254 4260 993	Electrolytic 22µF/50V	CE04W1H220MB(SSL)	C269		Ceramic 470pF/50V	CC73MSL1H471J
C215	254 4256 004	Electrolytic 10µF/25V	CE04W1E100MB(SSL)	C270	254 4256 004	Electrolytic 10µF/25V	CE04W1E100MB(SSL)
C216	255 4212 009	Mylar film 0.22µF/50V	CQ92M1H224KB	C271	254 4256 004	Electrolytic 10µF/25V	CE04W1E100MB(SSL)
C217	254 4256 004	Electrolytic 10µF/25V	CE04W1E100MB(SSL)	C272		Ceramic 470pF/50V	CC73MSL1H471J
C218	254 4256 004	Electrolytic 10µF/25V	CE04W1E100MB(SSL)	C273	254 4256 004	Electrolytic 10µF/25V	CE04W1E100MB(SSL)
C219	254 4256 046	Electrolytic 100µF/25V	CE04W1E101MB	C277	245 4256 004	Electrolytic 10µF/25V	CE04W1E100MB(SSL)
C220	255 1251 982	Mylar film 5600pF/50V	CQ92M1H562JB	C279	245 4256 004	Electrolytic 10µF/25V	CE04W1E100MB(SSL)
C221	254 4250 055	Electrolytic 470µF/6.3V	CE04W0J471MB	C283	245 4256 004	Electrolytic 10µF/25V	CE04W1E100MB(SSL)
C222	255 4212 054	Mylar film 0.047µF/50V	CQ92M1H473JB	C284		Ceramic 0.022µF/50V	CK73MF1H223Z
C223		Ceramic 470pF/50V	CC73MSL1H471J	C285	254 4256 004	Electrolytic 10µF/25V	CE04W1E100MB(SSL)
C224		Ceramic 2200pF/50V	CK73MB1H222K	C286		Ceramic 0.022µF/50V	CK73MF1H223Z
C225	254 4260 045	Electrolytic 1µF/50V	CE04W1H1R0MB(SSL)	C287	254 4196 944	Electrolytic 1µF/50V	CE04W1H1R0MB(SSL)
C226	256 1035 075	Mylar film 0.068µF/50V	CQM-684J500HB	C288		Ceramic 0.01µF/50V	CK73MF1H103Z
C227	255 4212 009	Mylar film 0.22µF/50V	CQ92M1H224KB	C289		Ceramic 0.1µF/25V	CK73MF1E104Z
C228	255 4212 009	Mylar film 0.22µF/50V	CQ92M1H224KB	C290		Ceramic 0.01µF/50V	CK73MF1H103Z
C229	255 4212 009	Mylar film 0.22µF/50V	CQ92M1H224KB	C295		Ceramic 220pF/50V	CC73MSL1H221J
C230	254 4260 074	Electrolytic 4.7µF/50V	CE04W1H4R7MB(SSL)	C297	254 4260 087	Electrolytic 10µF/25V	CE04W1E100MB(SSL)
C231	254 4260 074	Electrolytic 4.7µF/50V	CE04W1H4R7MB(SSL)	C298	254 4260 087	Electrolytic 10µF/50V	CE04W1H100MB(SSL)
C232	255 4212 009	Mylar film 0.22µF/50V	CQ92M1H224KB	C554	254 4260 045	Electrolytic 1µF/50V	CE04W1H1R0MB(SSL)
C233	255 4224 945	Mylar film 0.1µF/50V	CQ92M1H104KB	C555	254 4256 088	Electrolytic 1000µF/25V	CE04W1E102MF
C234	255 4224 945	Mylar film 0.1µF/50V	CQ92M1H104KB	C556	253 1181 904	Ceramic 0.01µF/50V	CK451H103ZB
C235	255 4224 945	Mylar film 0.1µF/50V	CQ92M1H104KB	C557	253 1181 904	Ceramic 0.01µF/50V	CK451H103ZB
C236	255 4224 945	Mylar film 0.1µF/50V	CQ92M1H104KB	C559	253 8001 100	Ceramic 250pF	CC-472M251F-D
C237	255 4223 962	Mylar film 0.022µF/50V	CQ92M1H223JB	C703	254 4260 074	Electrolytic 4.7µF/50V	CE04W1H4R7MB(SSL)
C238	255 4223 962	Mylar film 0.022µF/50V	CQ92M1H223JB	C705	254 4250 929	Electrolytic 100µF/6.3V	CE04W0J101MB
C239	254 4260 045	Electrolytic 1µF/50V	CE04W1H1R0MB(SSL)	C706		Ceramic 0.01µF/16V	CCT103M16D3
C240	254 4260 045	Electrolytic 1µF/50V	CE04W1H1R0MB(SSL)	C707	254 4256 046	Electrolytic 10µF/25V	CE04W1E100MB(SSL)
C241	254 4260 045	Electrolytic 1µF/50V	CE04W1H1R0MB(SSL)				
C242		Ceramic 0.1µF/25V	CK73MF1E104Z				
C243	254 4260 045	Electrolytic 1µF/50V	CE04W1H1R0MB(SSL)				
C244	025 4426 045	Electrolytic 1µF/50V	CE04W1H1R0MB(SSL)				
C245		Ceramic 470pF/50V	CC73MSL1H471J				
C246		Ceramic 3300pF/50V	CK73MB1H332K				
C247		Ceramic 0.1µF/25V	CK73MF1E104Z				
C248		Ceramic 0.1µF/25V	CK73MF1E104Z				
C249		Ceramic 0.1µF/25V	CK73MF1E104Z				
C250	254 4256 033	Electrolytic 47µF/25V	CE04W1E470MB(SSL)				
C251		Ceramic 0.1µF/25V	CK73MF1E104Z				
C252		Ceramic 470pF/50V	CC73MSL1H471J				

Ref. No.	Part No.	Part Name	Remarks	Ref. No.	Part No.	Part Name	Remarks
OTHER PARTS GROUP				SW719	9L2 6396 82R	Tact switch	
CF001	261 0135 907	Ceramic filter SFE10.7MA-8		SW720	9L2 6396 82R	Tact switch	
CF002	261 0136 906	Ceramic filter SFE10.7MS2G-A		SW721	9L2 6396 82R	Tact switch	
CF003	9LB P005 01	Ceramic filter BFU450C4		SW722	9L2 6396 82R	Tact switch	
CF004	9LB P004 91	Ceramic filter CMU2-456A16		SW723	9L2 6396 82R	Tact switch	
CN001A		2P MX Pin post	AVR-750/770 Models only	SW724	9L2 6396 82R	Tact switch	
CN001B		2P MX B-C Connector L=350	AVR-750/770 Models only	SW725	9L2 6396 82R	Tact switch	
CN002A		2P TXL B-C Connector L=100		SW726	9L2 6396 82R	Tact switch	
CN002B		2PTXL Pin post		SW727	9L2 6396 82R	Tact switch	
CN005B		4P MX B-C Connector L=350		SW728	9L2 6396 82R	Tact switch	
CN006B		6P Socket		SW729	9L2 6396 82R	Tact switch	
CN008B		7P Socket		SW730	9L2 6396 82R	Tact switch	
CN007B		8P Socket		SW731	9LF E002 03	Push switch	
CN009B		10P PH B-C Connector L=270		JK101	9LE R002 23	6P US PIN Jack	
CN010B		10P Socket		JK102	9LE R002 22	8P US PIN Jack	
CN015B		10P Socket		L201	9L2 1222 54F	Choke coil 120µH	
CN016B		10P Socket		▲ FL551	9LF J000 51	Power relay	
CN013B		13P Socket		PG001	—	2P VH Pin post	
CN015A		10P Socket		T003	9LB J002 51	AM IFT	
CN003A		2P PH B-C Connector L=270		T004	9L2 1370 33	FM DET Trans	
CN003B		2P PH Pin post		▲ T501	9LB T005 32	Sub power trans	AVR-760/780 Models only
CN025B	9LE D008 22	25P FFC Connector		▲ T501	9LB T005 33	Sub power trans	AVR-750/770 Models only
E003	9L2 7292 52R	Fuse holder	AVR-750/770 Models only	TU001	9LH H000 31	Tuner pack	
E004	9L2 7292 52R	Fuse holder	AVR-750/770 Models only	XT001	9L2 1701 32	Crystal 7.2MHz	
E005	9L2 7292 52R	Fuse holder	AVR-750/770 Models only	XT201	399 0223 907	Crystal CSA2.00MG	
E006	9L2 7292 52R	Fuse holder	AVR-750/770 Models only	XT701	399 9018 003	Crystal 4MHz	
E500	9L2 7292 52R	Fuse holder		W003		1P Board-in connector (WHT)	
E501	9L2 7292 52R	Fuse holder		W004		1P Board-in connector (ORG)	
E502	9L2 7292 52R	Fuse holder		W007		1P Board-in connector (GRY)	
E503	9L2 7292 52R	Fuse holder		W008		1P Board-in connector (RED)	AVR-750/770 Models only
E705	9LN J017 11	FL holder		W009		1P Board-in connector (ORG)	AVR-750/770 Models only
FL701	9LD D000 41	FL Tube		W010		1P Board-in connector (BLU)	AVR-750/770 Models only
SW002	9L2 6225 21	Slide switch	AVR-750/770 Models only	W011		1P Board-in connector (GRY)	AVR-750/770 Models only
S552	9LF G000 11	Voltage selector	AVR-750/770 Models only	W012		1P Board-in connector (WHT)	AVR-750/770 Models only
S553	9LF G000 11	Voltage selector	AVR-750/770 Models only	W013		1P Board-in connector (GRY)	AVR-750/770 Models only
SW702	9L2 6396 82R	Tact switch		W014		1P Board-in connector (BLU)	AVR-750/770 Models only
SW703	9L2 6396 82R	Tact switch		W015		1P Board-in connector (WHT)	AVR-750/770 Models only
SW704	9L2 6396 82R	Tact switch		AT001	9LE U000 11	ANT Terminal	
SW708	9L2 6396 82R	Tact switch		BL001	9LB H005 31	MW ANT OSC Coil	
SW709	9L2 6396 82R	Tact switch					
SW710	9L2 6396 82R	Tact switch					
SW711	9L2 6396 82R	Tact switch					
SW712	9L2 6396 82R	Tact switch					
SW713	9L2 6396 82R	Tact switch					

PRINTED WIRING BOARD

1 2 3 4 5 6 7 8

MAIN P.W.B. Ass'y UNIT

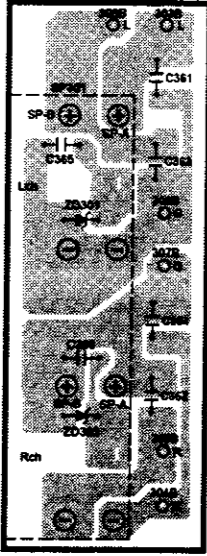
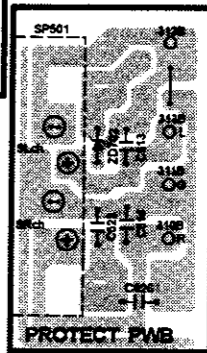
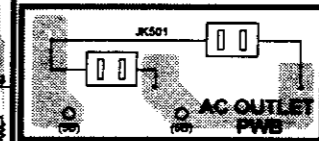
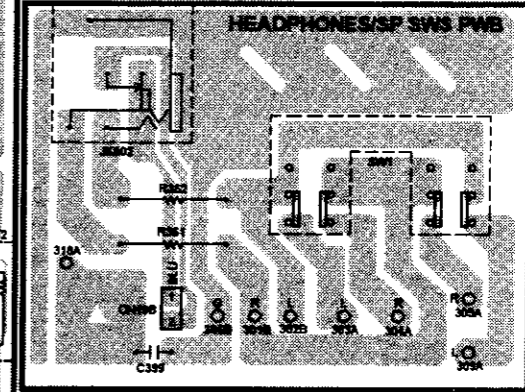
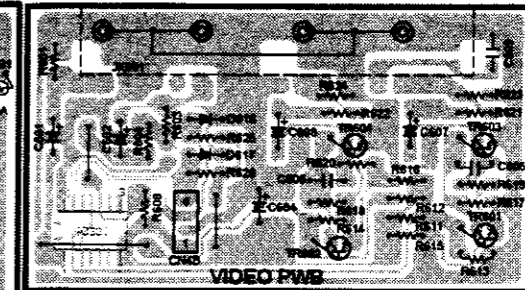
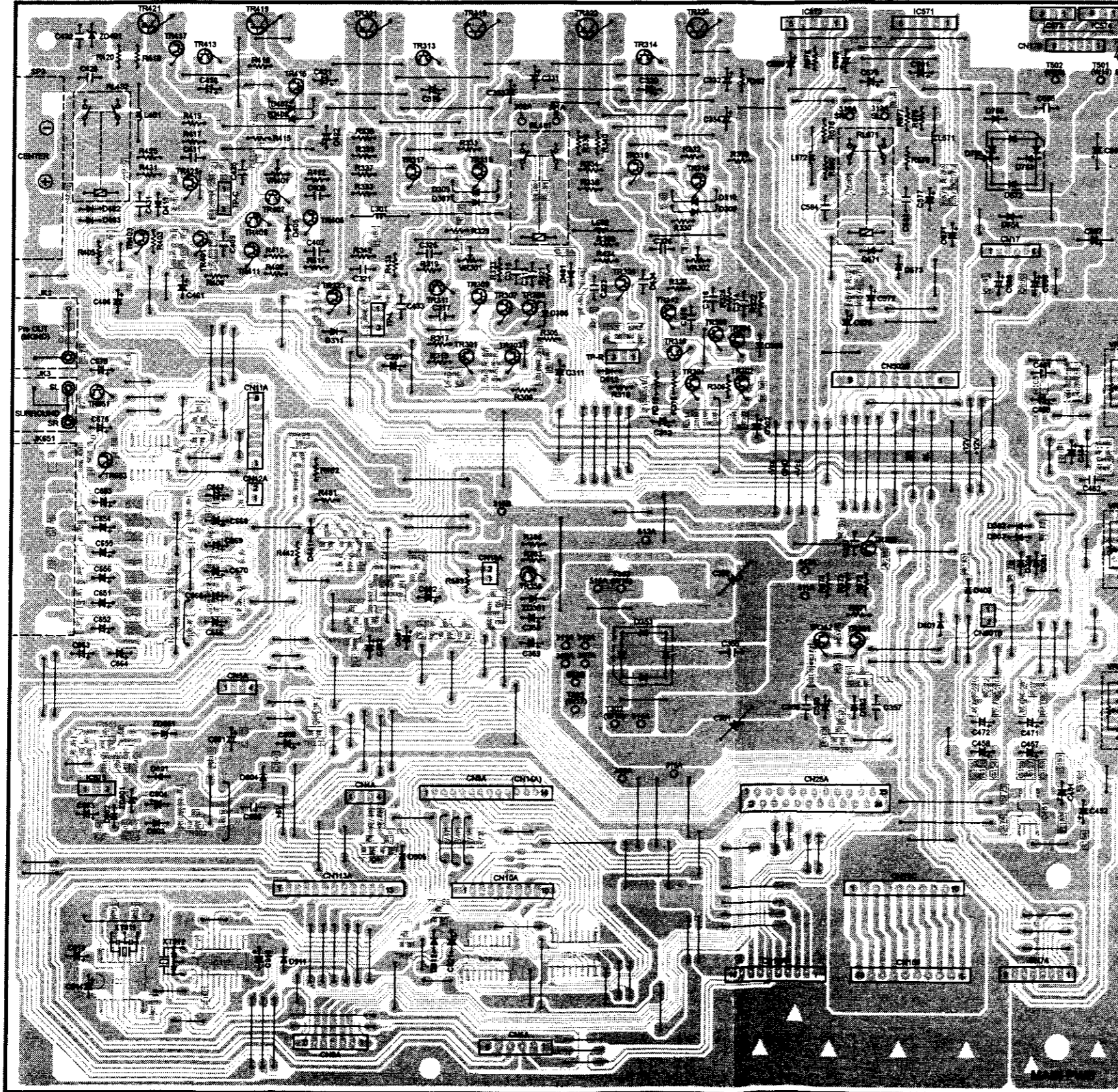
A

B

C

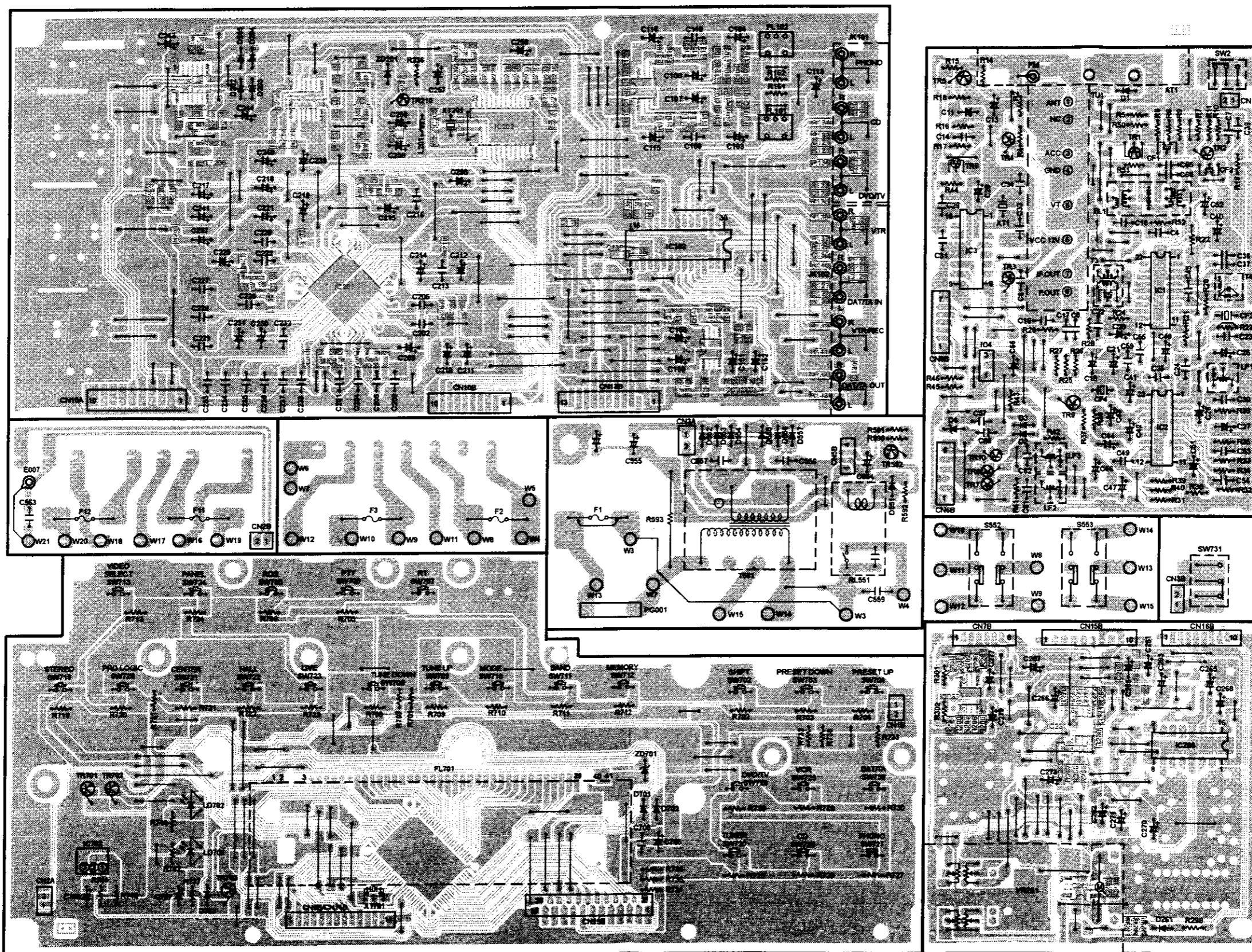
D

E



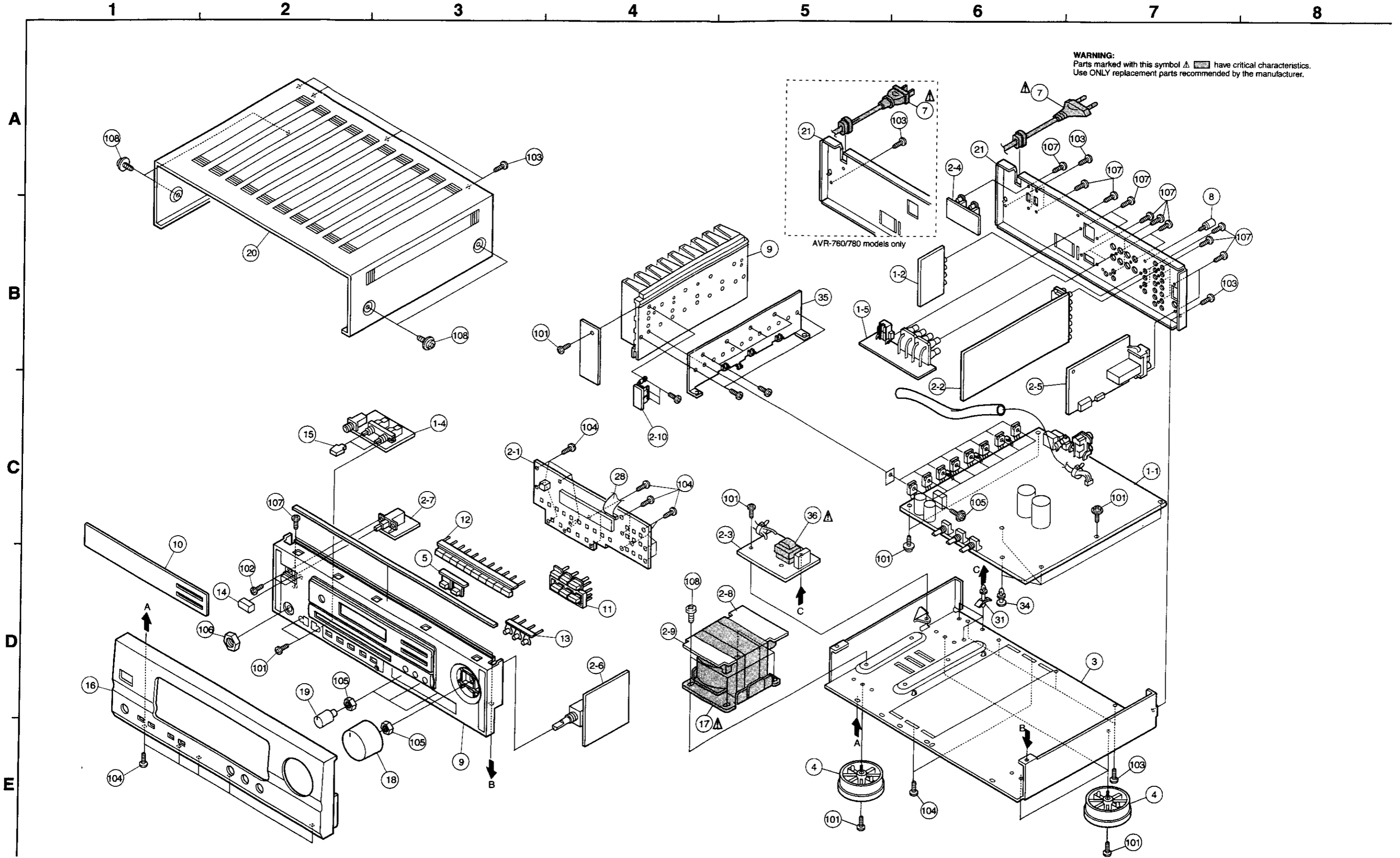
1 2 3 4 5 6 7 8

FL P.W.B. Ass'y UNIT



A
B
C
D
E

EXPLODED VIEW



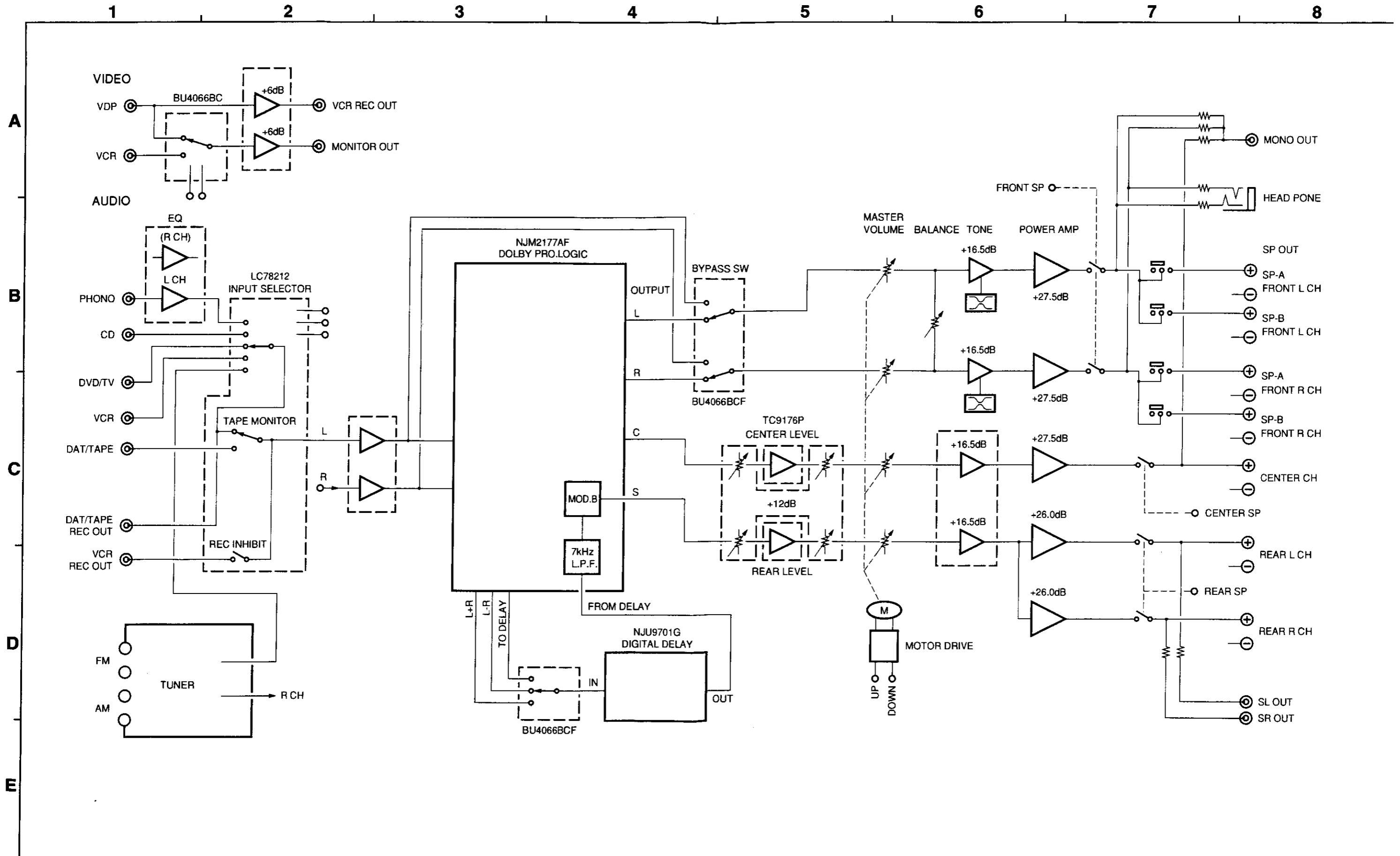
PARTS LIST OF EXPLODED VIEW
AVR-750/760/770/780

Ref. No.	Part No.	Part Name	Remarks	Q'ty	Ref. No.	Part No.	Part Name	Remarks	Q'ty
1		Main P.W.B. Ass'y		1	28	9LE K001 18	25P FFC Cable		1
1-1		Main P.W.B. unit			29		Heat sink		1
1-2		Video P.W.B. unit			30	9LM L002 51	Mini PWB post		5
1-3		AC Outlet P.W.B. unit			31	9LM 004 31	PWB support L		3
1-4		Headphones/SP sw P.W.B. unit			32	9LP P002 41	Side wood L	Gold only	1
1-5		SP Terminal P.W.B. unit			33	9LP P002 31	Side wood R	Gold only	1
1-6		Protect P.W.B. unit			34		Card spacer (L=8)		5
2		FL P.W.B. Ass'y		1	35		Heat sink bracket		1
2-1		FL P.W.B. unit			36	Note	Mini trans		
2-2		Audio P.W.B. unit			★		Origin label	AVR-750/770 Models only	1
2-3		Power supply P.W.B. unit			★		Number sheet		1
2-4		Voltage select sw P.W.B. unit			★		Preset label	AVR-750/770 Models only	1
2-5		Tuner P.W.B. unit			★		Caution label	AVR-760/780 Models only	1
2-6		Master volume P.W.B. unit			★		Rating label	AVR-760/780 Models only	1
2-7		Power switch P.W.B. unit							
2-8		TF-PRI P.W.B. unit							
2-9		TF-SEC P.W.B. unit							
2-10		STAB1 unit							
3	9LQ A004 81	Bottom chassis		1					
4	104 0194 205	Foot	Black only	4					
		Foot	Gold only						
5	9LP C018 02	VS button	Gold only	1					
	9LP C018 01		Black only						
7	Note	AC Cord	AVR-750/770	1					
	Note	AC Cord	AVR-760/780	1					
8	9LN X016 21	Phono earth terminal		1	101	9L8 6914 10	Screw 3 x 10 BT BIND		29
9	Note	Inner panel	Gold only	1	102	9L8 6714 06	Screw 3 x 6 DT BIND		4
		Inner panel	Black only		103	9L8 6794 06	Screw 3 x 6 DT BIND B		5
10	9LP H051 71	Clear panel		1	104	9L8 6796 06	Screw 4 x 6 DT BIND B		8
11	9LP C025 01	Function button		1	105	475 6138 002	NUT M9 x 0.75		4
12	9LP C017 63	Tuner button	Gold only	1	106	475 6124 003	NUT M12 x 1		1
	9LP C017 61		Black only		107	9L8 6914 14	Screw 3 x 14 BT BIND		1
13	9LP C017 72	Tuning button	Gold only	1	108	9L8 6794 08	Screw 3 x 8 DT BIND B		4
	9LP C017 71		Black only		109	9L8 6994 10	Screw 3 x 10 BT BIND B		27
14	9LP C017 82	Power button	Gold only	1	110	9L8 6993 08	Screw 2.6 x 8 BT BIND B	AVR-750/770 Models only	4
	9LP C017 81		Black only		111	9L8 6914 14	Screw 3 x 14 BT BIND B		1
15	9LP C017 92	SP button	Gold only	2	112	9L8 6994 08	Screw 3 x 8 BT BIND B		2
	9LP C01 791		Black only		113	9LM J009 81	Screw (Side wood)	Gold only	4
16	Note	Front panel		1					
17	Note	Power lens		1					
18	9LP C025 12	VOL knob	Gold only	1					
	9LP C025 11		Black only		201	9L3 6402 14W	Poly sack		1
19	9LP C017 42	BASS knob	Gold only	3	202	9L2 7593 41	AM Loop ant.		1
	9LP C017 41		Black only		203	9LE F021 33	FM Ant.		1
20	9LQ A004 94	Top cover	Gold only	1	204	9LE Y002 81	Plug adapter	AVR-750/770 Models only	1
	9LQ A004 92		Black only		205	9LQ R233 34	Instruction manual		1
21	Note	Rear plate		1	206	9LH L005 83	Remote controller (RC840)		1
					207	Note	Carton box		1
					208	9LS P029 51	Cushion		2
					209		Poly sack		1
					210		Soft sack		1

ADDENDUM PARTS LIST

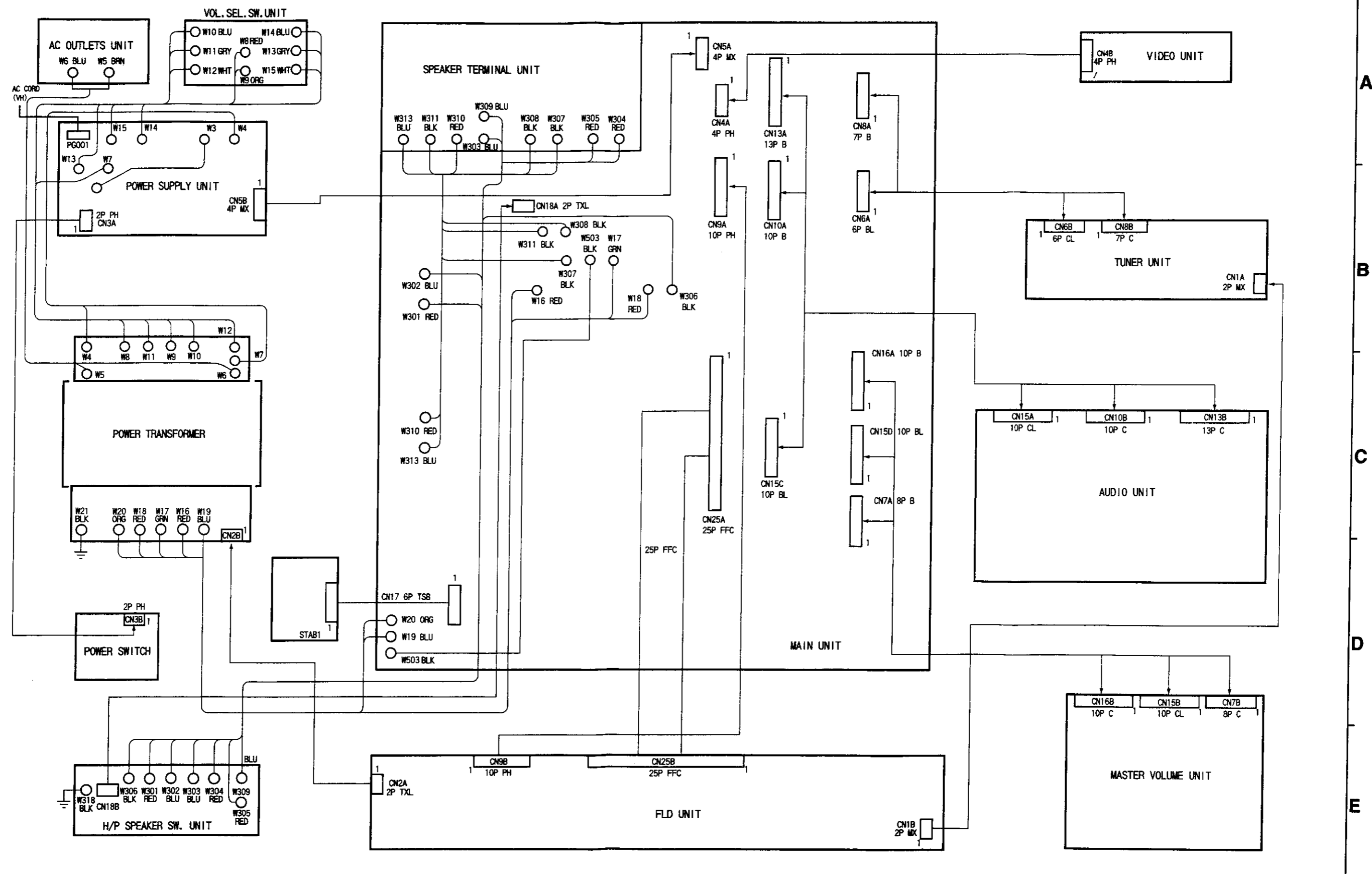
Ref. No.	Part Name	Part No.			
		AVR-750	AVR-760	AVR-770	AVR-780
1	Main P.W.B. Ass'y				
2	FL P.W.B. Ass'y				
6	Euro converter plug	9LE P000 82		9LE P000 82	
7	AC Cord	9LE V004 44	9LE V004 45	9LE V004 44	9LE V004 45
9	Inner panel	9LP H051 81	9LP H051 82	9LP H051 83	9LP H051 84
14	Power trans	9LB T010 23	9LB T010 22	9LB T010 23	9LB T010 22
16	Front panell	9LP H051 54	9LP H051 55	9LP H051 56	9LP H051 57
21	Rear plate	9LQ A009 93	9LQ A009 94	9LQ A009 95	9LQ A009 96
25	Fuse T5A	9L2 7280 70		9L2 7280 70	
26	Fuse T2.5A		9L2 7277 22		9L2 7277 22
27	Fuse T2.5A	9L2 7277 22		9L2 7277 22	
30	Mini trans	9LB T005 33	9LB T005 32	9LB T005 33	9LB T005 32
PACKING AND ACCSSEORIES					
		AVR-750	AVR-760	AVR-770	AVR-780
207	Carton box	9L SG07 033	9L SG07 034	9L SG07 271	9L SG07 272

BLOCK DIAGRAM

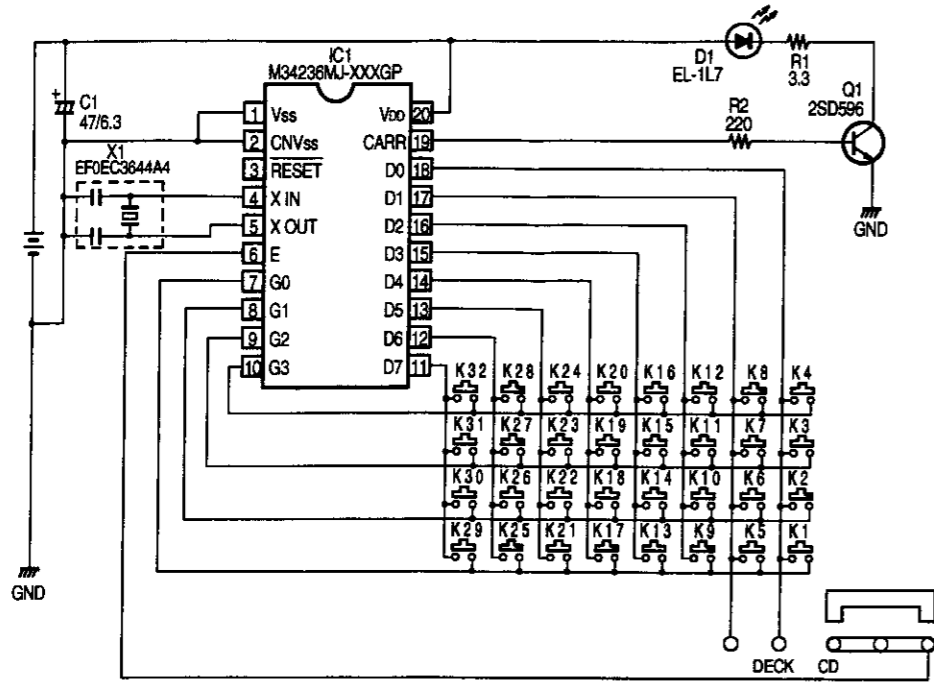


WIRING DIAGRAM

1 2 3 4 5 6 7 8



REMOTE CONTROL UNIT (RC-840)



DECK

KEY No.	Function	Classification	System address					Data code					Extension		Mask	Judge
			C1	C2	C3	C4	C5	C6	C7	C8	C9	C10	C11	C12	C13	C14
1	POWER ON/OFF	AV. AMP	0	1	0	0	0	1	0	0	0	0	1	1	0	0
2	PLAY ◀	DECK	0	0	1	0	0	1	1	1	0	1	0	1	0	0
3	STOP ■	DECK	0	0	1	0	0	0	1	1	1	0	1	0	0	0
4	PLAY ▶	DECK	0	0	1	0	0	0	0	1	1	1	0	1	0	0
5	REW ◀◀	DECK	0	0	1	0	0	1	1	0	1	1	0	1	0	0
6	A/B	DECK	0	0	1	0	0	1	1	0	0	1	0	1	0	0
7	FF ▶▶	DECK	0	0	1	0	0	0	1	0	1	1	0	1	0	0
8	PRESET CH. DOWN	TUNER	0	0	1	1	0	1	0	1	0	1	0	1	1	0
9	PRESET CH. UP	TUNER	0	0	1	1	0	0	1	1	0	1	0	1	1	0
10	CD	AV. AMP	0	1	0	0	0	0	0	1	0	0	1	1	0	0
11	PHOTO	AV. AMP	0	1	0	0	0	1	1	0	0	0	1	1	0	0
12	SHIFT	TUNER	0	0	1	1	0	1	0	1	1	0	1	1	0	0
13	TUNER	AV. AMP	0	1	0	0	0	1	0	0	1	0	0	1	1	0
14	VCR	AV. AMP	0	1	0	0	0	1	0	1	0	0	1	1	0	0
15	VDP/DBS	AV. AMP	0	1	0	0	0	0	1	0	1	0	1	1	0	0
16	STEREO	AV. AMP	0	1	0	0	0	1	1	0	0	1	1	1	0	0
17	SURR. MODE	AV. AMP	0	1	0	0	0	0	1	1	0	0	1	1	1	0
18	V. AUX/GAME	AV. AMP	0	1	0	0	0	0	0	1	1	0	0	1	1	0
19	DAT/TAPE MONITOR	AV. AMP	0	1	0	0	0	0	1	0	0	1	0	1	1	0
20	T. TONE	AV. AMP	0	1	0	0	0	0	1	0	1	0	1	1	1	0
21	DELAY+	AV. AMP	0	1	0	0	0	1	0	0	1	1	1	1	0	0
22	MUTING	AV. AMP	0	1	0	0	0	0	0	0	1	1	1	1	0	0
23	SCREEN	AV. AMP	0	1	0	0	0	1	1	1	1	0	1	1	0	0
24	PANEL	AV. AMP	0	1	0	0	0	0	1	1	1	1	0	1	1	0
25	CENTER VOLUME UP	AV. AMP	0	1	0	0	0	1	0	1	1	1	1	1	0	0
26	CENTER VOLUME DOWN	AV. AMP	0	1	0	0	0	0	1	1	0	1	1	1	0	0
27	REAR VOLUME UP	AV. AMP	0	1	0	0	0	1	1	0	0	1	1	1	0	0
28	REAR VOLUME DOWN	AV. AMP	0	1	0	0	0	0	1	0	1	1	1	1	0	0
29	MASTER VOLUME UP	AV. AMP	0	1	0	0	0	1	0	0	1	1	1	1	0	0
30	MASTER VOLUME DOWN	AV. AMP	0	1	0	0	0	0	1	0	0	1	1	1	0	0

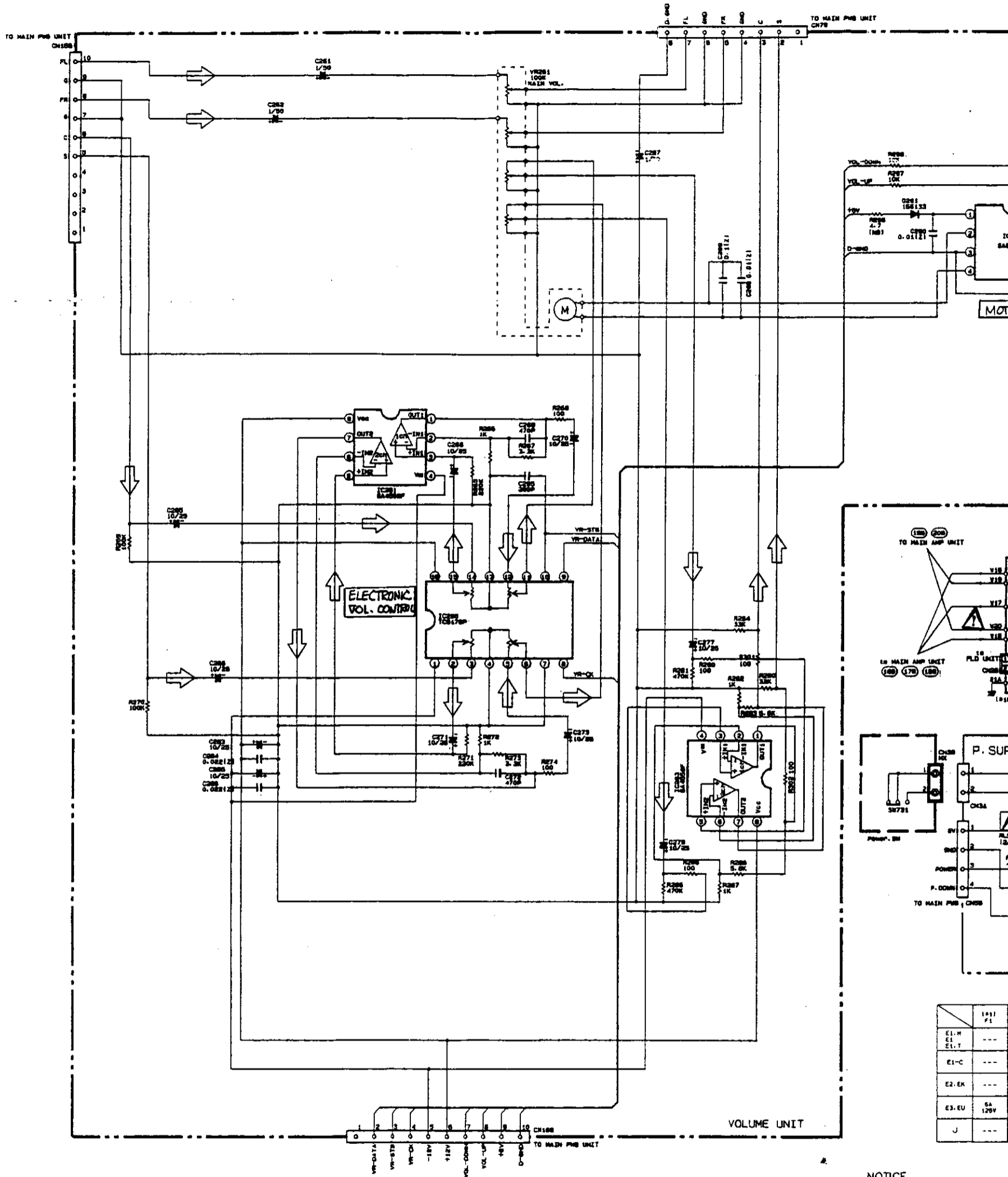
RC-840 Transmitting Code Table

CD

KEY No.	Function	Classification	System address					Data code					Extension		Mask	Judge
			C1	C2	C3	C4	C5	C6	C7	C8	C9	C10	C11	C12	C13	C14
1	POWER ON/OFF	AV. AMP	0	1	0	0	0	1	0	0	0	0	1	1	0	0
2	DISK SKIP+	CD	0	0	0	1	0	1	1	0	1	0	1	0	0	0
3	STOP ■	CD	0	0	0	1	0	0	1	1	1	0	1	0	0	0
4	PLAY ▶	CD	0	0	0	1	0	0	0	1	1	0	1	0	0	0
5	AUTO SEARCH ◀◀	CD	0	0	0	1	0	1	0	0	1	1	0	1	0	0
6	PAUSE	CD	0	0	0	1	0	1	0	1	1	0	1	0	0	0
7	AUTO SEARCH ▶▶	CD	0	0	0	1	0	0	0	1	1	0	1	0	0	0
8	PRESET. DOWN	TUNER	0	0	1	1	0	1	0	1	0	1	1	0	0	0
9	PRESET CH. UP	TUNER	0	0	1	1	0	0	1	1	0	1	1	0	0	0
10	CD	AV. AMP	0	1	0	0	0	0	0	1	0	0	1	1	0	0
11	PHOTO	AV. AMP	0	1	0	0	0	1	1	0	0	0	1	1	0	0
12	SHIFT	TUNER	0	0	1	1	0	1	1	0	0	1	1	0	0	0
13	TUNER	AV. AMP	0	1	0	0	0	1	0	0	0	1	1	0	0	0
14	VCR	AV. AMP	0	1	0	0	0	1	0	1	0	0	1	1	0	0
15	VDP/DBS	AV. AMP	0	1	0	0	0	0	1	0	1	0	1	1	0	0
16	STEREO	AV. AMP	0	1	0	0	0	1	1	0	0	1	1	1	0	0
17	SURR. MODE	AV. AMP	0	1	0	0	0	0	1	1	0	0	1	1	1	0
18	V. AUX/GAME	AV. AMP	0	1	0	0	0	0	0	1	1	0	0	1	1	0
19	DAT/TAPE MONITOR	AV. AMP	0	1	0	0	0	0	1	0	0	1	0	1	1	0
20	T. TONE	AV. AMP	0	1	0	0	0	0	1	0	1	0	1	1	0	0
21	DELAY+	AV. AMP	0	1	0	0	0	1	0	0	1	0	1	1	0	0
22	MUTING	AV. AMP	0	1	0	0	0	0	0	0	1	1	1	1	0	0
23	SCREEN	AV. AMP	0	1	0	0	0	1	1	1	1	0	1	1	0	0
24	PANEL	AV. AMP	0	1	0	0	0	0	1	1	1	1	0	1	1	0
25	CENTER VOLUME UP	AV. AMP	0	1	0	0	0	1	0	1	1	1	1	1	0	0
26	CENTER VOLUME DOWN	AV. AMP	0	1	0	0	0	0	1	1	0	1	1	1	0	0
27	REAR VOLUME UP	AV. AMP	0	1	0	0	0	1	1	0	0	1	1	1	0	0
28	REAR VOLUME DOWN	AV. AMP	0	1	0	0	0	0	1	0	1	1	1	1	0	0
29	MASTER VOLUME UP	AV. AMP	0	1	0	0	0	1	0	0	0	1	1	1	0	0
30	MASTER VOLUME DOWN	AV. AMP	0	1	0	0	0	0	1	0	0	1	1	1	0	0

SCHEMATIC DIAGRAM (3/5)

1 2 3 4 5 6

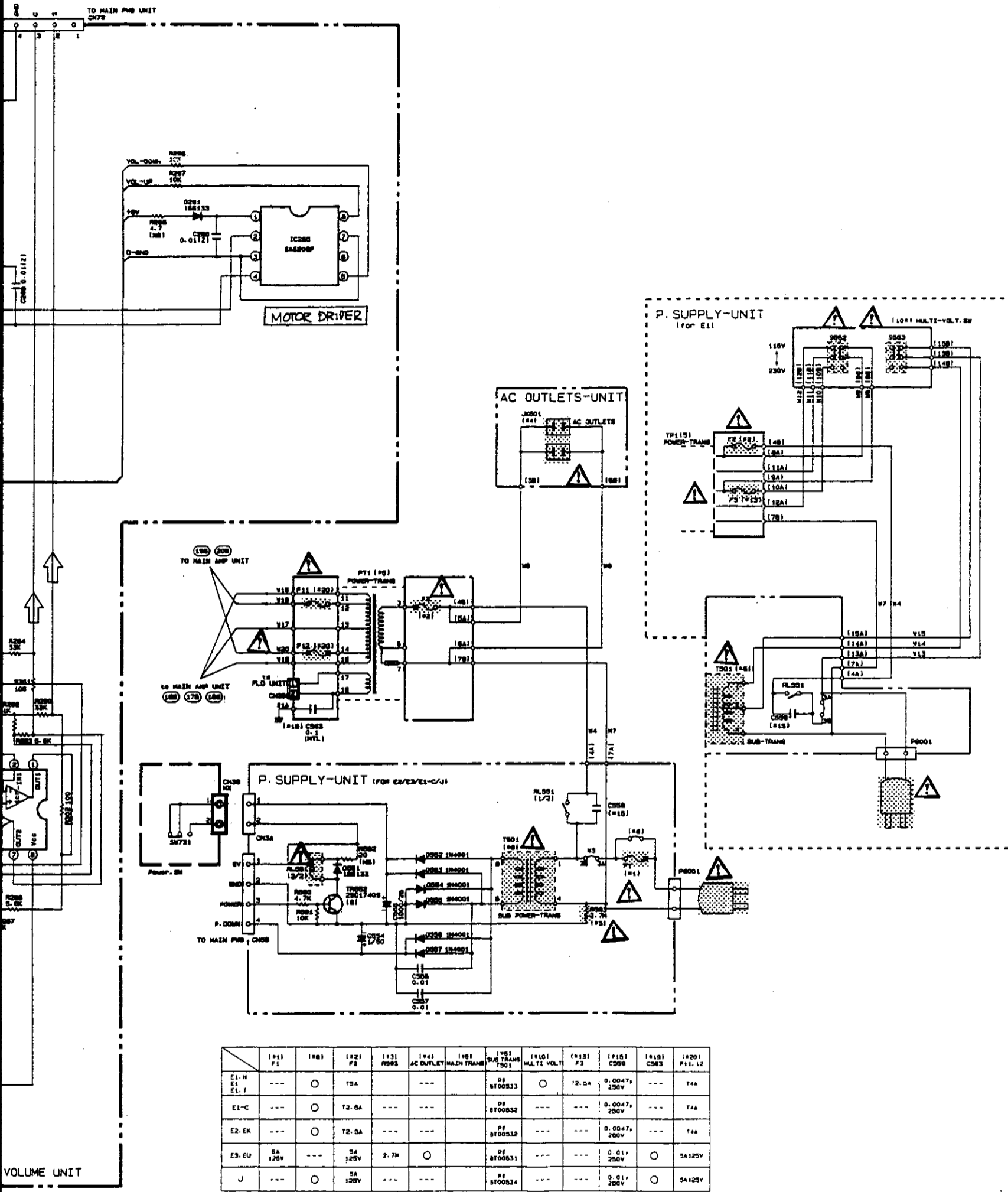


NOTICE
 ALL RESISTANCE VALUES IN OHMS
 ALL CAPACITANCE VALUES IN P.F.
 EACH VOLTAGE AND CURRENT IN
 CONDITION.
 CIRCUIT AND PARTS ARE SUBJECT TO
 NOTICE.

Symbol	Value
EL-W	---
EL-T	---
E1-C	---
E2-EK	---
E3-EU	5A 120V
J	---

6 7 8 9 10 11

A
B
C
D
E
F
G
H



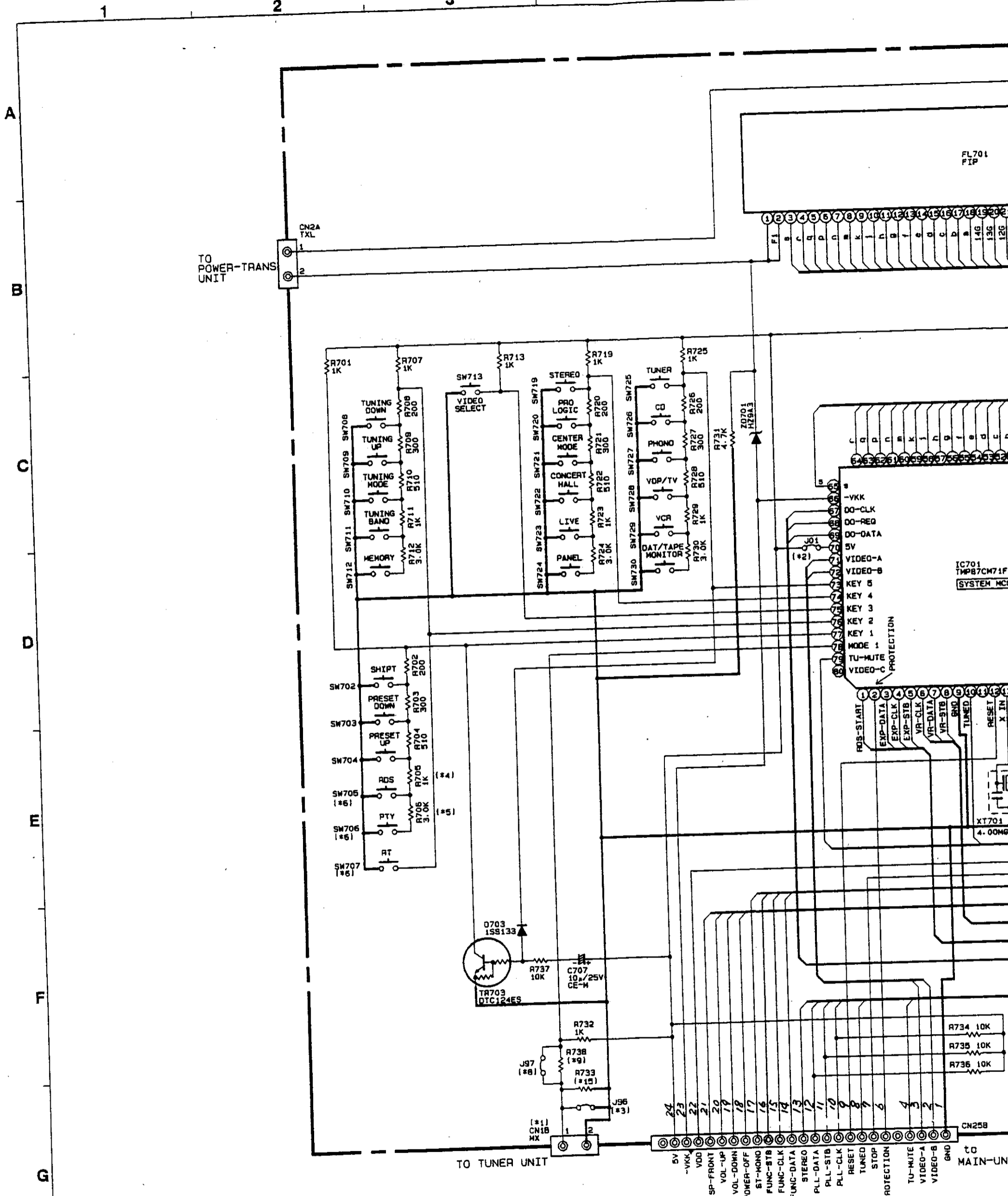
	(141) P1	(148) P2	(143) PWR3	(144) AC OUTLET	(148) MAIN TRANS	(148) SUB TRANS T501	(110) MULTI-VOLT	(133) P3	(118) C506	(119) C503	(120) P11, 12
E1-M	---	0	75A	---	---	DE 8100533	0	12.5A	0.0047, 250V	---	T4A
E1-T	---	0	75A	---	---	DE 8100533	0	12.5A	0.0047, 250V	---	T4A
E1-C	---	0	72.5A	---	---	DE 8100532	---	---	0.0047, 250V	---	T4A
E2-EK	---	0	72.5A	---	---	DE 8100532	---	---	0.0047, 250V	---	T4A
E3-EU	5A 125V	---	3A 125V	2.7A	0	DE 8100531	---	---	0.01, 250V	0	5A125V
J	---	0	3A 125V	---	---	DE 8100534	---	---	0.01, 250V	0	5A125V

NOTICE
 ALL RESISTANCE VALUES IN OHM. k=1,000 OHM M=1,000,000 OHM
 ALL CAPACITANCE VALUES IN MICRO FARAD. P=MICRO-MICRO FARAD
 EACH VOLTAGE AND CURRENT ARE MEASURED AT NO SIGNAL INPUT
 CONDITION.
 CIRCUIT AND PARTS ARE SUBJECT TO CHANGE WITHOUT PRIOR
 NOTICE.

WARNING:
 Parts marked with this symbol have critical characteristics.
 Use ONLY replacement parts recommended by the manufacturer.
CAUTION:
 Before returning the unit to the customer, make sure you make either (1) a
 leakage current check or (2) a line to chassis resistance check. If the leakage
 current exceeds 0.5 milliamps, or if the resistance from chassis to either side
 of the power cord is less than 240 kohms, the unit is defective.
WARNING:
 DO NOT return the unit to the customer until the problem is located and
 corrected.

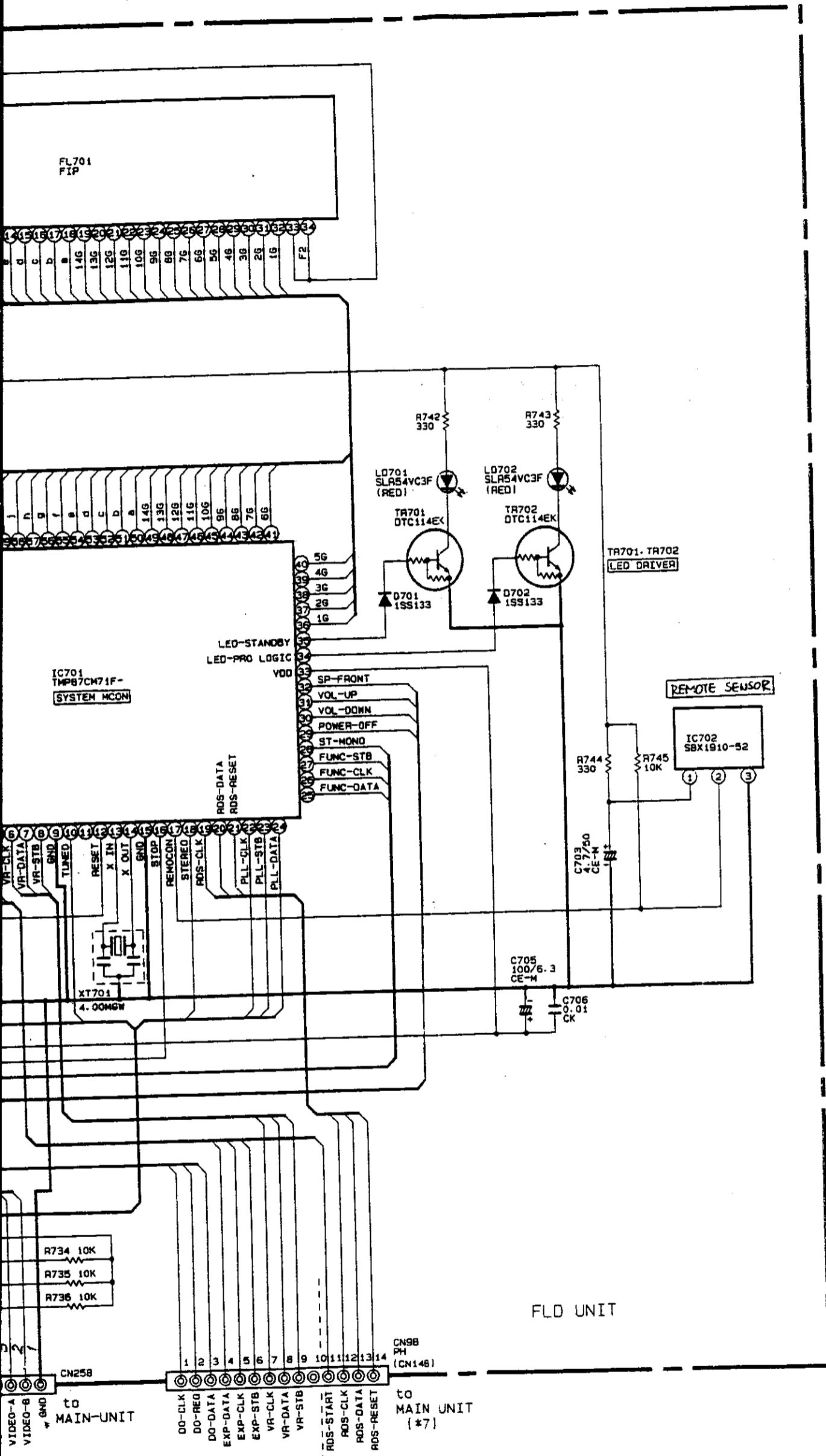
VOLUME UNIT

SCHEMATIC DIAGRAM (4/5)



	(#1) CN18	(#2) RDS -J01	(#3) J96	(#4) R705	(#5) R706	(#6) SW705	(#7) CN98	(#15) R733	(#16) IC701	(#8) J97	(#9) R738
EU E3							○	2K		JUM PER	
E1	○						○	2.7K			2K
E2/EK		JUM PER		1K	3K	○	CN14B	4.7K		JUM PER	
J							○				
E1-C							○	2.7K			2K

NOTICE
ALL RESISTANCE
VALUES ARE IN OHMS
UNLESS OTHERWISE
SPECIFIED.
EACH CAPACITANCE
VALUE IS IN P.F.
CONDITION.
CIRCUIT AND P
NOTICE.



NOTICE
 ALL RESISTANCE VALUES IN OHM, k=1,000 OHM M=1,000,000 OHM
 ALL CAPACITANCE VALUES IN MICRO FARAD, P=MICRO-MICRO FARAD
 EACH VOLTAGE AND CURRENT ARE MEASURED AT NO SIGNAL INPUT
 CONDITION.
 CIRCUIT AND PARTS ARE SUBJECT TO CHANGE WITHOUT PRIOR
 NOTICE.

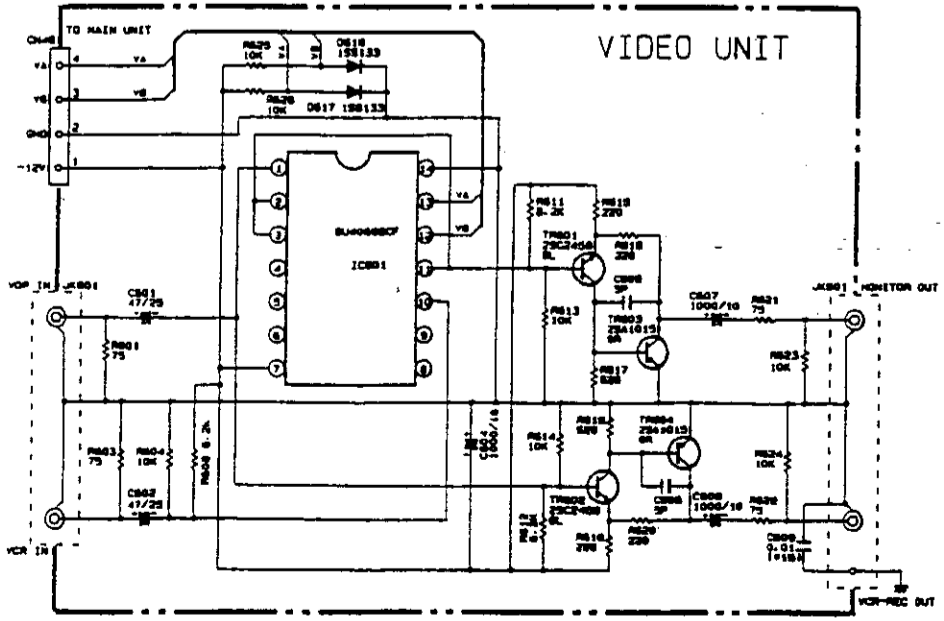
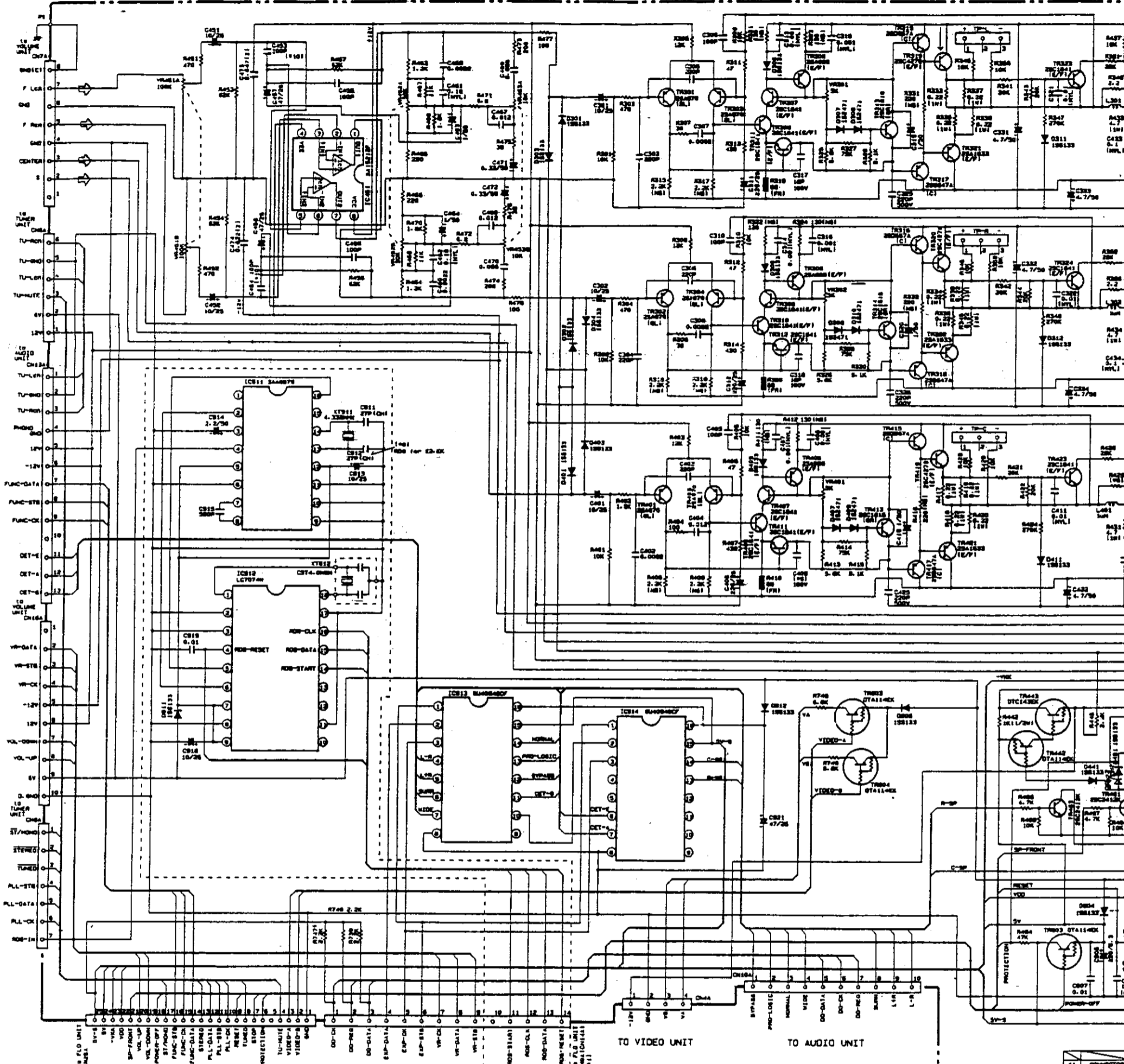
WARNING:
 Parts marked with this symbol Δ have critical characteristics.
 Use ONLY replacement parts recommended by the manufacturer.

CAUTION:
 Before returning the unit to the customer, make sure you make either (1) a
 leakage current check or (2) a line to chassis resistance check. If the leakage
 current exceeds 0.5 milliamps, or if the resistance from chassis to either side
 of the power cord is less than 240 kohms, the unit is defective.

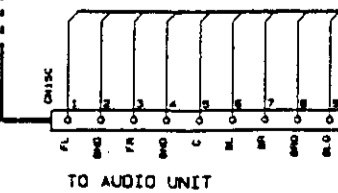
WARNING:
 DO NOT return the unit to the customer unit the problem is located and
 corrected.

SCHEMATIC DIAGRAM (1/5)

1 2 3 4 5 6

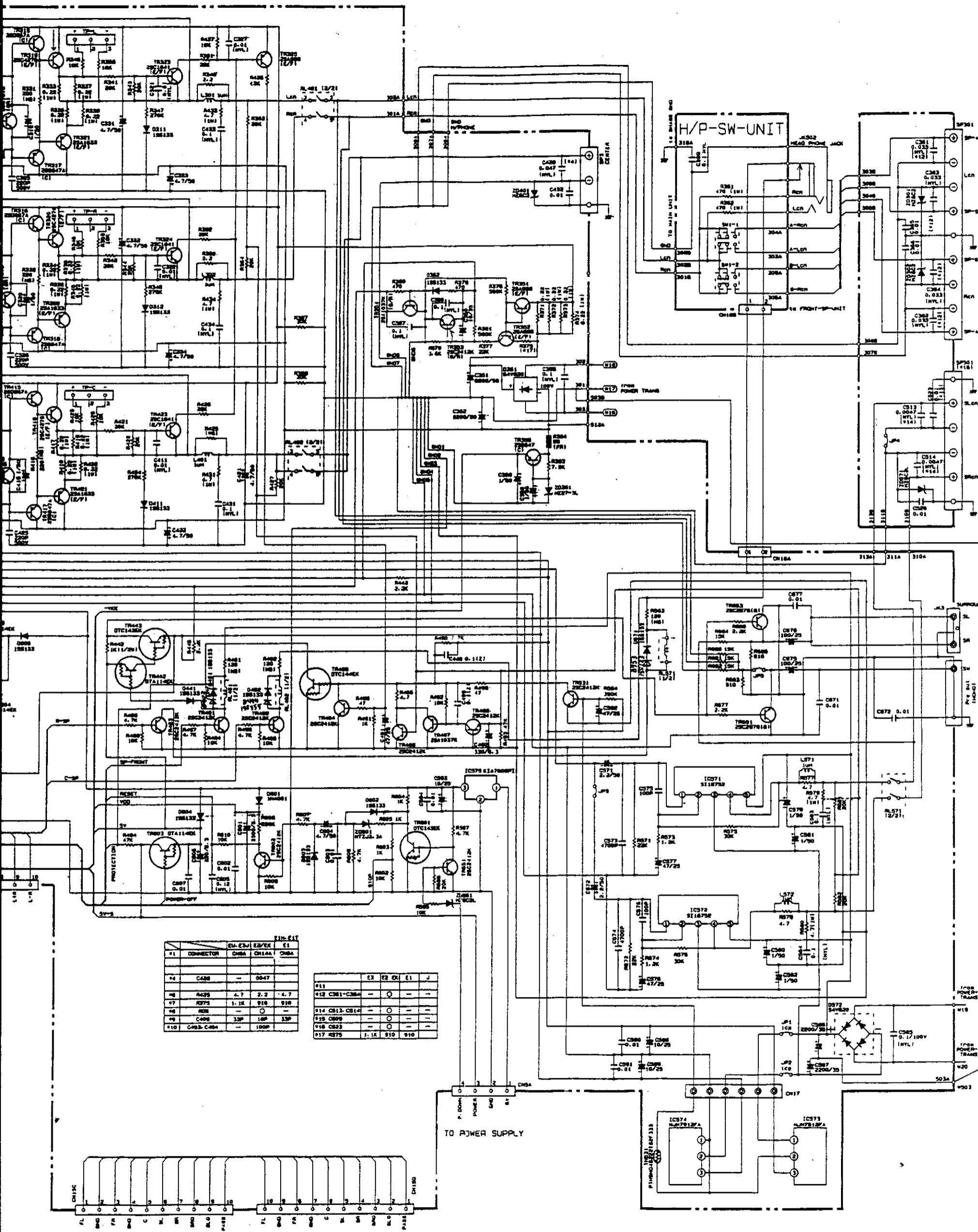


NO.	DESCRIPTION
11	CONNECTION
14	CASE
16	BASE
17	RTN
18	COM
19	CASE
210	CASE, COM



6 7 8 9 10 11

A
B
C
D
E
F
G
H



PIN-OUT			
#1	CONNECTION	EL-CM	EL-EX
#1	CONNECTION	CH8A	CH14A
#4	CASB	-	0047
#6	C429	4.7	2.2
#7	R772	1.1K	910
#8	R67	-	-
#9	C408	15P	15P
#10	C453-C454	-	100P

#11	C3	C2	C1	J
#11	-	-	-	-
#12	CM1-CM4	-	-	-
#14	CS13-CS14	-	-	-
#15	CS89	-	-	-
#16	CS22	-	-	-
#17	R679	1.1K	910	910

TO AUDIO UNIT TO VOLUME UNIT

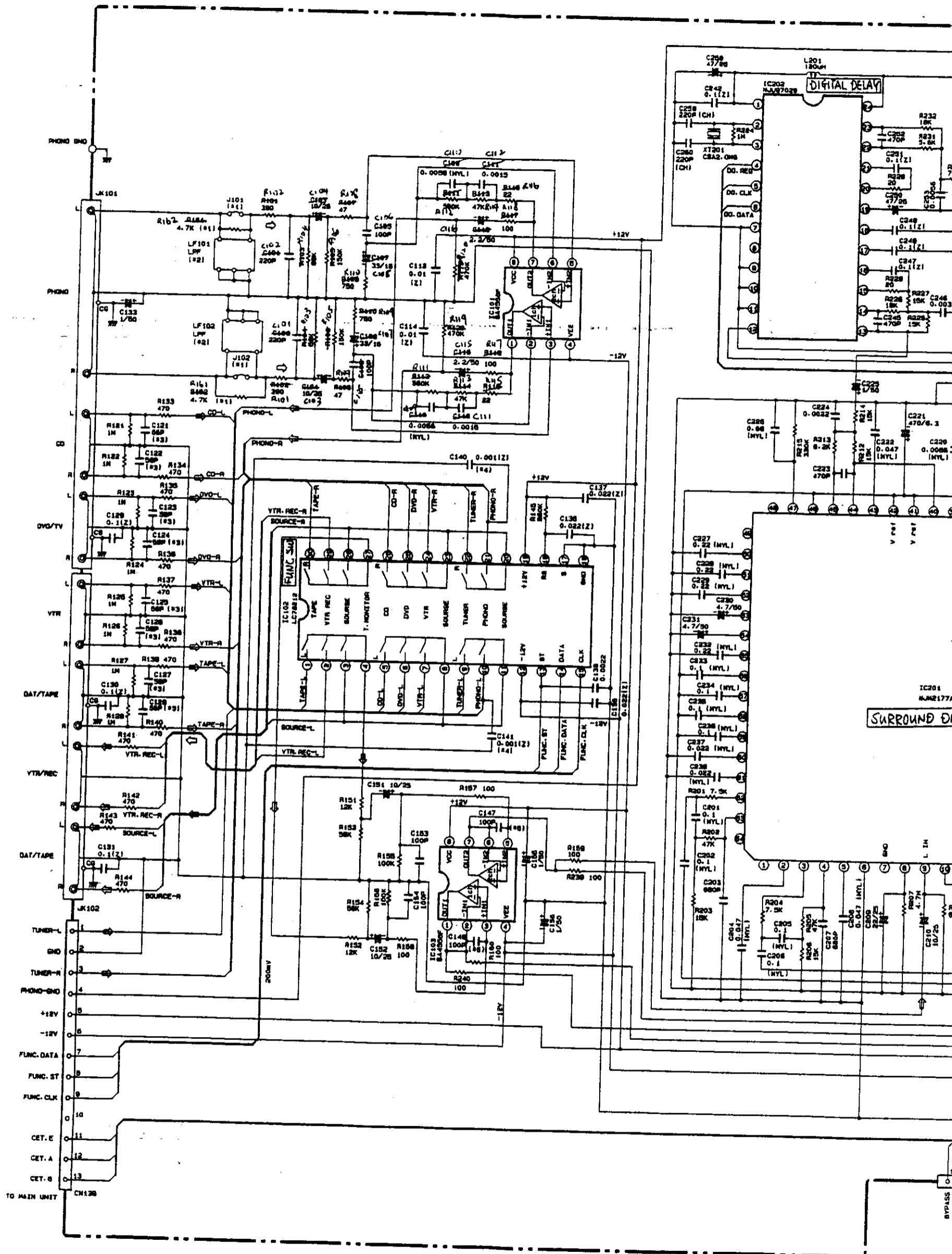
NOTICE
 ALL RESISTANCE VALUES IN OHM. k=1,000 OHM M=1,000,000 OHM
 ALL CAPACITANCE VALUES IN MICRO-FARAD. P=MICRO-MICRO FARAD
 EACH VOLTAGE AND CURRENT ARE MEASURED AT NO SIGNAL INPUT CONDITION.
 CIRCUIT AND PARTS ARE SUBJECT TO CHANGE WITHOUT PRIOR NOTICE.

WARNING:
 Parts marked with this symbol Δ have critical characteristics. Use ONLY replacement parts recommended by the manufacturer.
CAUTION:
 Before returning the unit to the customer, make sure you make either (1) a leakage current check or (2) a line to chassis resistance check. If the leakage current exceeds 0.5 milliamps, or if the resistance from chassis to either side of the power cord is less than 240 kohms, the unit is defective.
WARNING:
 DO NOT return the unit to the customer until the problem is located and corrected.

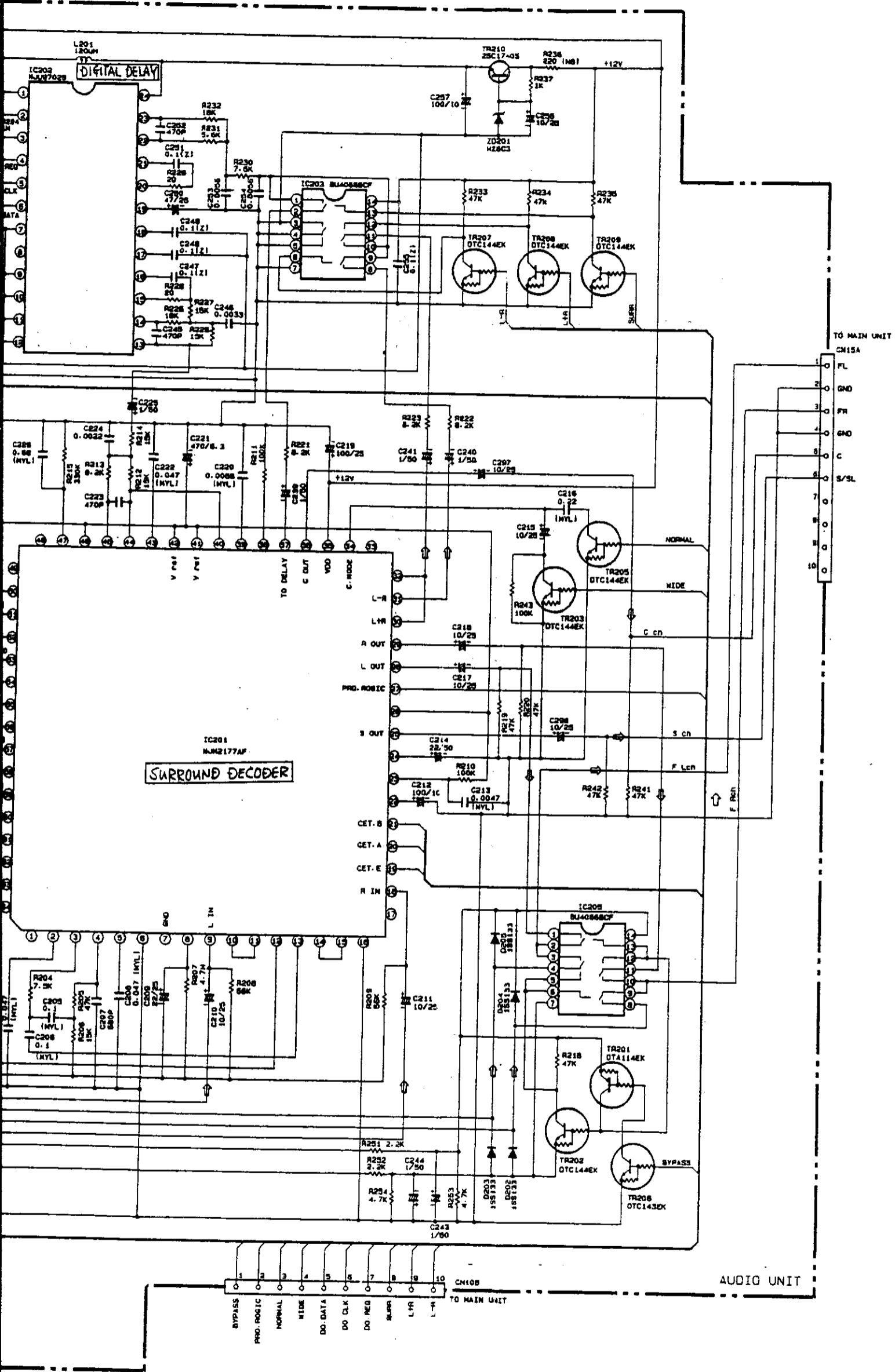
SCHEMATIC DIAGRAM (2/5)

1 2 3 4 5 6


A
B
C
D
E
F
G
H



NOTICE
 ALL RESISTANCE VALUES IN OHM, k=1,000
 ALL CAPACITANCE VALUES IN MICRO FARAD
 EACH VOLTAGE AND CURRENT ARE MEASURED UNDER
 STANDARD CONDITIONS
 CIRCUIT AND PARTS ARE SUBJECT TO CHANGE WITHOUT NOTICE.



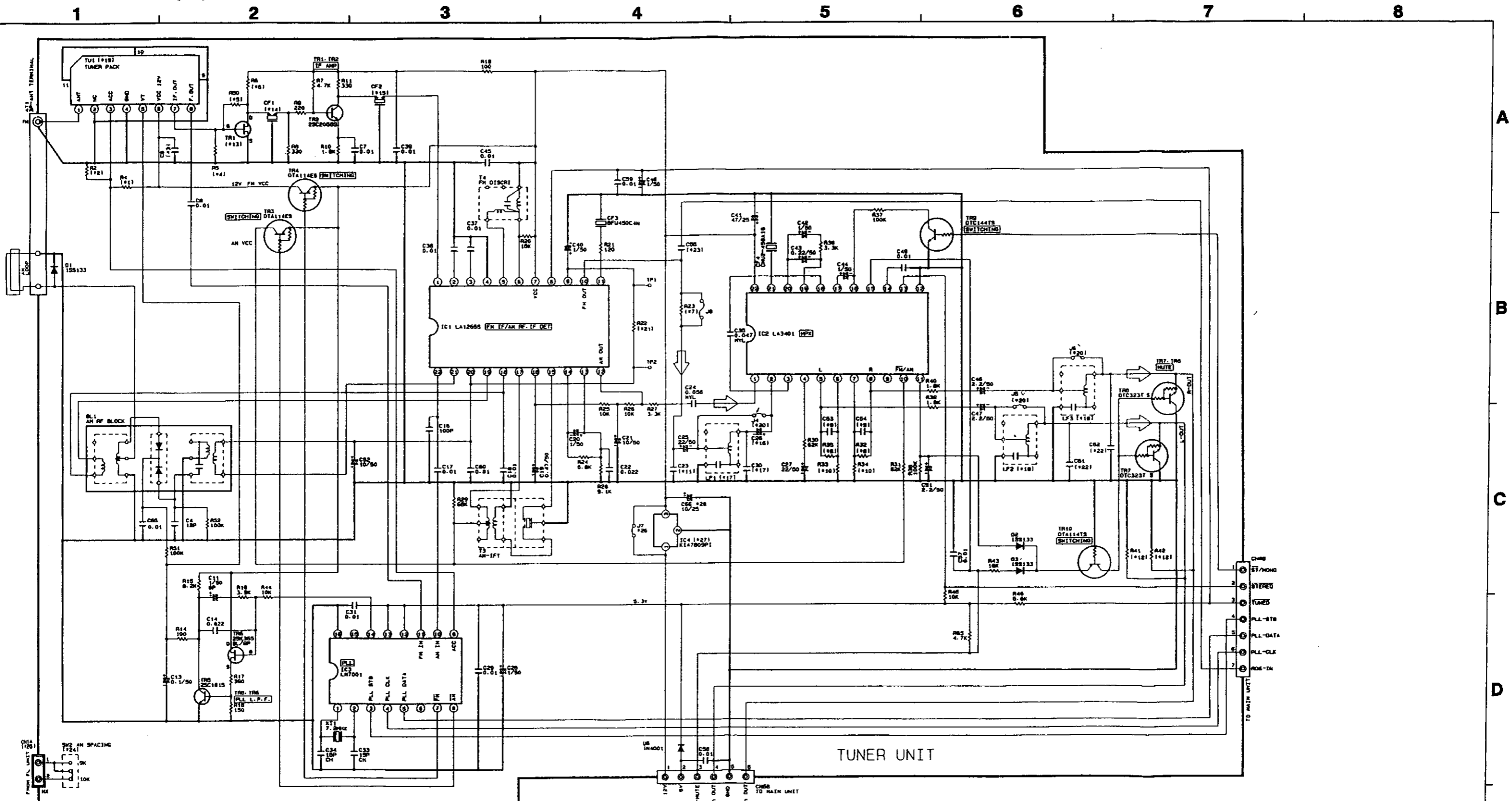
NOTICE
 ALL RESISTANCE VALUES IN OHM, K=1,000 OHM M=1,000,000 OHM
 ALL CAPACITANCE VALUES IN MICRO FARAD, P=MICRO-MICRO FARAD
 EACH VOLTAGE AND CURRENT ARE MEASURED AT NO SIGNAL INPUT
 CONDITION.
 CIRCUIT AND PARTS ARE SUBJECT TO CHANGE WITHOUT PRIOR
 NOTICE.

WARNING:
 Parts marked with this symbol  have critical characteristics.
 Use ONLY replacement parts recommended by the manufacturer.

CAUTION:
 Before returning the unit to the customer, make sure you make either (1) a
 leakage current check or (2) a line to chassis resistance check. If the leakage
 current exceeds 0.5 millamps, or if the resistance from chassis to either side
 of the power cord is less than 240 kohms, the unit is defective.

WARNING:
 DO NOT return the unit to the customer unit the problem is located and
 corrected.

SCHEMATIC DIAGRAM (5/5)



	*1	*2	*3	*4	*5	*6	*7	*8	*9	*10	*11	*12	*13	*14	*15	*16	*17	*18	*19	*20	*21	*22	*23	*24	*25	*26	*27	*28
	R1	RE	CE	R50	RS0	RS	R23	R32-R36	C53-C54	R33-R34	C23	R41-R42	TR1	CF1	CF2	C26	LF1-C30(1560P)	LF2-LF3	TU1	J4-S-6	R22	CE1-C62	C28	SW2	CM14	J7	IC4	C66
E2/EX	10K	5.6K	0.01	390	—	330	1.2K	100K	330P	180K	—	4.7K	25K151	SFE10.7 NS2-A	SFE10.7 NS2-A	22/50	—	—	4-TUNE	—	39K	0.0047	120P	—	—	—	—	—
E3/EU	—	—	—	1K	100	—	JAMPER	100K	800P	120K	100P	5.6K	—	SFE10.7 NA-B	SFE10.7 NS2-A	—	—	—	3-TUNE	JAMPER	18K	—	—	—	—	—	—	—
E1-E11-E1	—	—	—	1K	100	—	JAMPER	100K	800P	120K	100P	5.6K	—	SFE10.7 NA-B	SFE10.7 NS2-A	—	—	—	3-TUNE	JAMPER	39K	—	—	—	—	—	—	—
E1-C	—	—	—	1K	100	—	JAMPER	100K	600P	120K	100P	5.6K	—	SFE10.7 NA-B	SFE10.7 NS2-A	—	—	—	3-TUNE	JAMPER	39K	—	—	—	—	—	—	—
J	—	—	—	1K	100	—	JAMPER	150K	330P	180K	100P	5.6K	—	SFE10.7 NA-B	SFE10.7 NS2-A	—	—	—	3-TUNE	JAMPER	18K	—	—	—	—	—	—	—

NOTICE
 ALL RESISTANCE VALUES IN OHM. K=1,000 OHM M=1,000,000 OHM
 ALL CAPACITANCE VALUES IN MICRO FARAD. P=MICRO-MICRO FARAD
 EACH VOLTAGE AND CURRENT ARE MEASURED AT NO SIGNAL INPUT
 CONDITION.
 CIRCUIT AND PARTS ARE SUBJECT TO CHANGE WITHOUT PRIOR
 NOTICE.

WARNING:
 Parts marked with this symbol \triangle have critical characteristics.
 Use ONLY replacement parts recommended by the manufacturer.

CAUTION:
 Before returning the unit to the customer, make sure you make either (1) a leakage current check or (2) a line to chassis resistance check. If the leakage current exceeds 0.5 milliamps, or if the resistance from chassis to either side of the power cord is less than 240 kohms, the unit is defective.

WARNING:
 DO NOT return the unit to the customer unit the problem is located and corrected.