

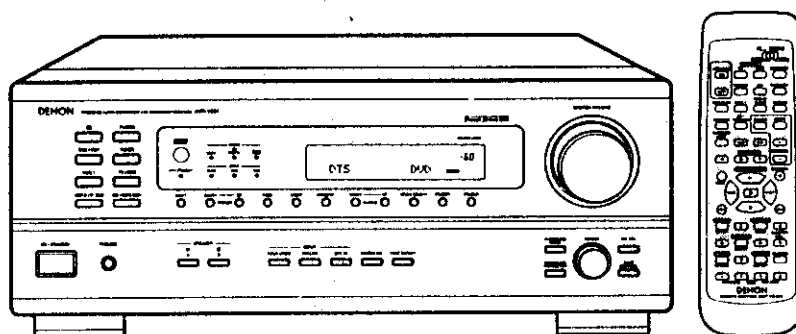
DENON

Hi-Fi Component

SERVICE MANUAL

MODEL AVR-1801/881

AV SURROUND RECEIVER



— TABLE OF CONTENTS —

SAFETY PRECAUTIONS	2	PACKING VIEW	38
SPECIFICATIONS	2	PARTS LIST OF PACKING & ACCESSORIES	38
DISASSEMBLY	3	BLOCK DIAGRAM	39
CLOCK FLOW	4	WIRING DIAGRAM	40
LEVEL DIAGRAMS	5,6	SCHEMATIC DIAGRAMS	41-48
ADJUSTMENT	7,8	(1/8) MAIN UNIT, VOLTAGE SEL UNIT	41
SEMICONDUCTORS	9-15	(2/8) INPUT UNIT	42
PRINTED WIRING BOARDS	16-23	(3/8) FRONT UNIT, TACT S/W UNIT, H/P, POWER S/W UNIT	43
NOTE FOR PARTS LIST	24	(4/8) CPU UNIT	44
PARTS LIST OF P.W.B. UNIT ASS'Y	24-35	(5/8) CNT UNIT, PRE-AMP UNIT	45
EXPLODED VIEW	36	(6/8) VIDEO UNIT, S-VIDEO UNIT	46
PARTS LIST OF EXPLODED VIEW	37	(7/8) TUNER UNIT	47
		(8/8) DSP UNIT	48

● Some illustrations using in this service manual are slightly different from the actual set.

NIPPON COLUMBIA CO., LTD.

SAFETY PRECAUTIONS

The following check should be performed for the continued protection of the customer and service technician.

LEAKAGE CURRENT CHECK

Before returning the unit to the customer, make sure you make either (1) a leakage current check or (2) a line to chassis resistance check. If the leakage current exceeds 0.5 milliamps, or if the resistance from chassis to either side of the power cord is less than 460 kohms, the unit is defective.

SPECIFICATIONS

Audio section

Power amplifier

Rated output:	Front :	70W + 70W	(8Ω/ohms, 20Hz-20kHz with 0.08% T.H.D)
		105W + 105W	(6Ω/ohms, 1kHz with 0.7% T.H.D) (U.S.A., Canada & Europe Models)
		120W + 120W	(6Ω/ohms, EIAJ) (Asia Model)
Center :	70W	(8Ω/ohms, 20Hz-20kHz with 0.08% T.H.D)	
	105W	(6Ω/ohms, 1kHz with 0.7% T.H.D) (U.S.A., Canada & Europe Models)	
	120W	(6Ω/ohms, EIAJ) (Asia Model)	
Surround :	70W + 70W	(8Ω/ohms, 20Hz-20kHz with 0.08% T.H.D)	
	105W + 105W	(6Ω/ohms, 1kHz with 0.7% T.H.D) (U.S.A., Canada & Europe Models)	
		120W + 120W	(6Ω/ohms, EIAJ) (Asia Model)
Output terminals:	Front :	A or B	6 to 16Ω/ohms
		A + B	12 to 16Ω/ohms
	Center/ Surround :		6 to 16Ω/ohms

Analog

LINE Input - PRE OUT	200mV/47kΩ/kohms
Input Sensitivity/Impedance:	10Hz-100kHz: +1, -3dB (TONE DEFEAT ON)
Frequency response:	100dB (IHF-A weighted) (TONE DEFEAT ON)
S/N ratio:	

Phono equalizer

PHONO Input - REC OUT	2.5mV/47kΩ/kohms
Input sensitivity/Impedance:	±1dB (20Hz-20kHz)
RIAA deviation:	74dB (IHF-A weighted, with 5mV input)
S/N ratio:	
Rated output/Maximum output:	150mV/7V
Distortion factor:	0.03% (1kHz, 3V)

Video section

Standard video jacks

Input/output level and impedance:	1Vp-p, 75Ω/ohms
Frequency response:	5Hz-10MHz: +1, -3dB

S-video jacks

Input/output level and impedance:	Y (brightness) signal — 1Vp-p, 75Ω/ohms
	C (color) signal — 0.286Vp-p, 75Ω/ohms
Frequency response:	5Hz-10MHz: +1, -3dB

Tuner section

Receiving range:	[FM] (note: μV at 75Ω/ohms, 0dBf = 1x10 ⁻¹⁹ W)	[AM]
U.S.A., Canada & Asia (for Multiple voltage) Models	87.50MHz-107.90MHz	520kHz-1710kHz
Europe & Asia (for China) Models	87.50MHz-108.00MHz	522kHz-1611kHz
Usable sensitivity:	1.0 μV (11.2dBf)	18 μV
50 dB quieting sensitivity:	MONO 1.6 μV (15.3dBf)	
	STEREO 23 μV (38.5dBf)	
S/N ratio:	MONO 80dB (IHF-A weighted)	
	STEREO 75dB (IHF-A weighted)	
Total harmonic distortion:	MONO 0.15% (1kHz)	
	STEREO 0.3% (1kHz)	

General

Power supply:	
U.S.A., Canada Models	AC120V, 60Hz
Europe Model	AC230V, 50Hz
Asia (for Multiple voltage) Model	AC115/230V, 50/60Hz
Asia (for China) Model	AC220V, 50Hz
Power consumption:	230W
Maximum external dimensions:	434 (W) × 171 (H) × 416 (D)mm (17-3/32" × 6-47/64" × 16-3/8")
Mass:	11.3kg (24 lbs 14.6 oz)

Remote control unit (RC-874)

Batteries:	R6P/AA Type (two batteries)
External dimensions:	54 (W) × 172 (H) × 27.2 (D)mm (2-1/8" × 6-49/64" × 1-5/64")
Mass:	100g (Approx. 6 oz) (including batteries)

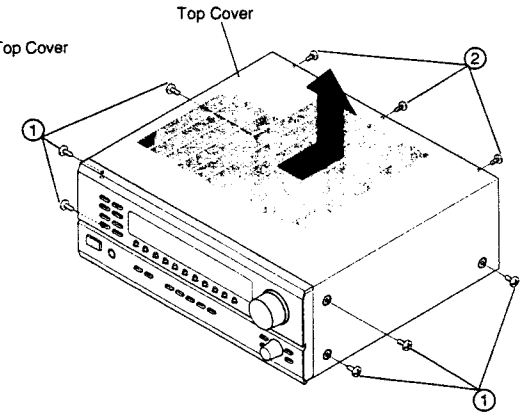
* For purposes of improvement, specifications and design are subject to change without notice.

DISASSEMBLY

(To reassemble reverse disassembly)

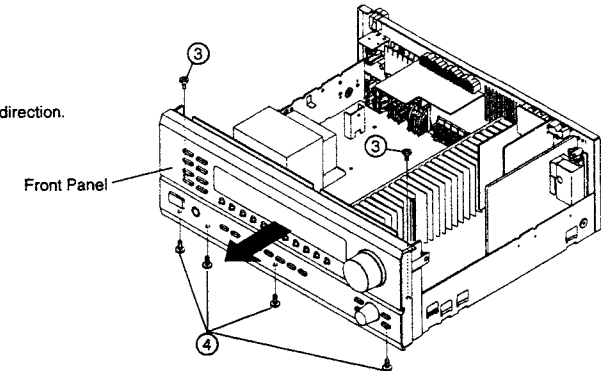
Top Cover

Remove 6 screws ① and 3 screws ②, detach the Top Cover in the arrow direction.



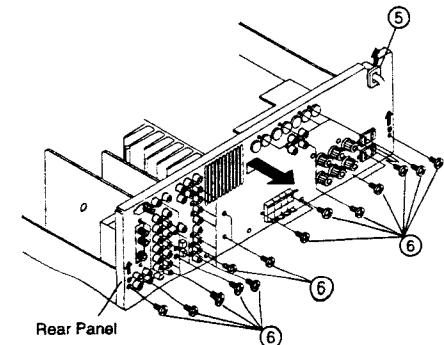
Front Panel

1. Remove 2 screws ③.
2. Remove 4 screws ④.
3. Detach the Front Panel in the arrow direction.

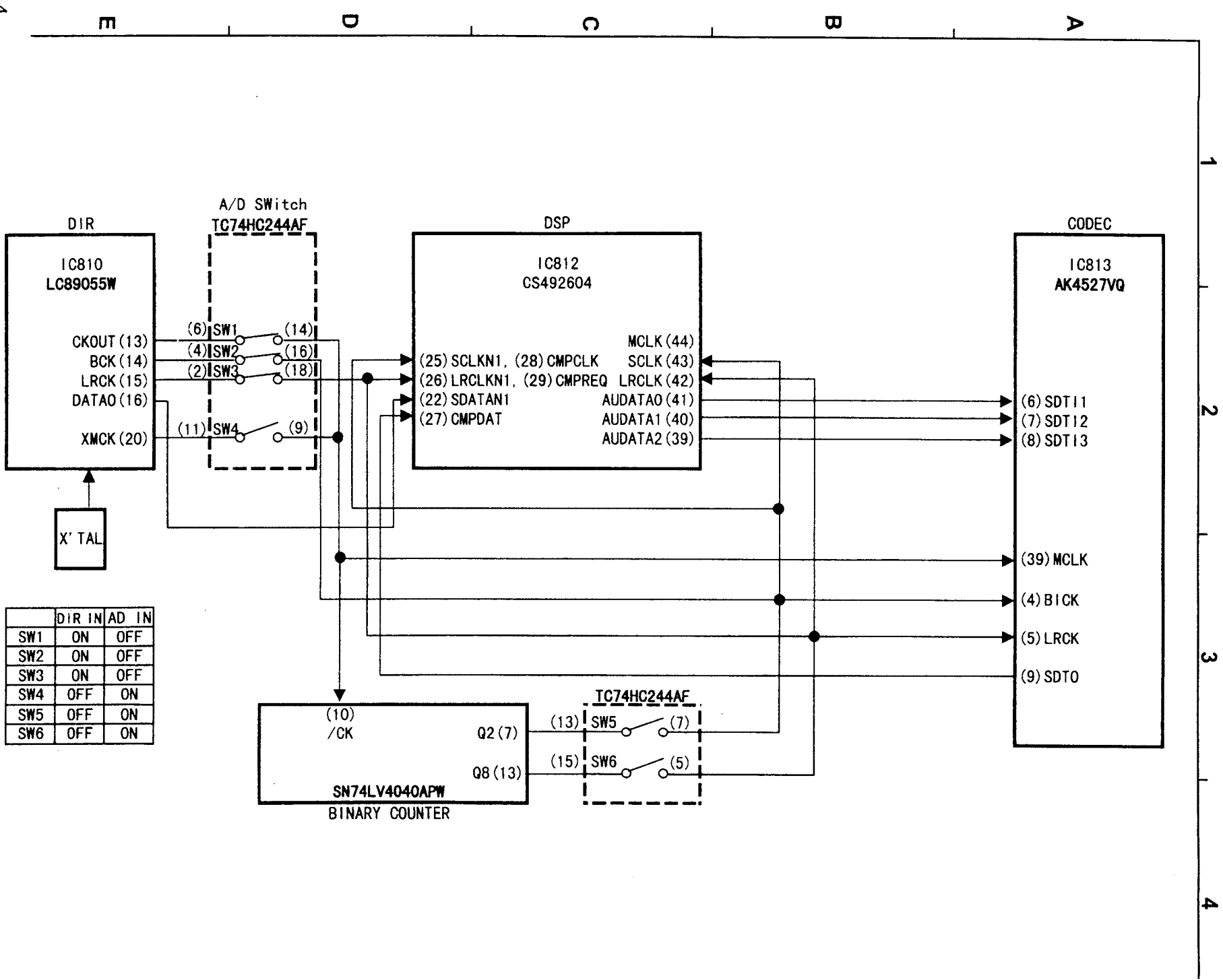


Rear Panel

1. Remove cord bushing ⑤ from the Rear Panel.
2. Remove 35 screw ⑥.
3. While releasing 2 hooks, detach the Rear Panel in the arrow direction.

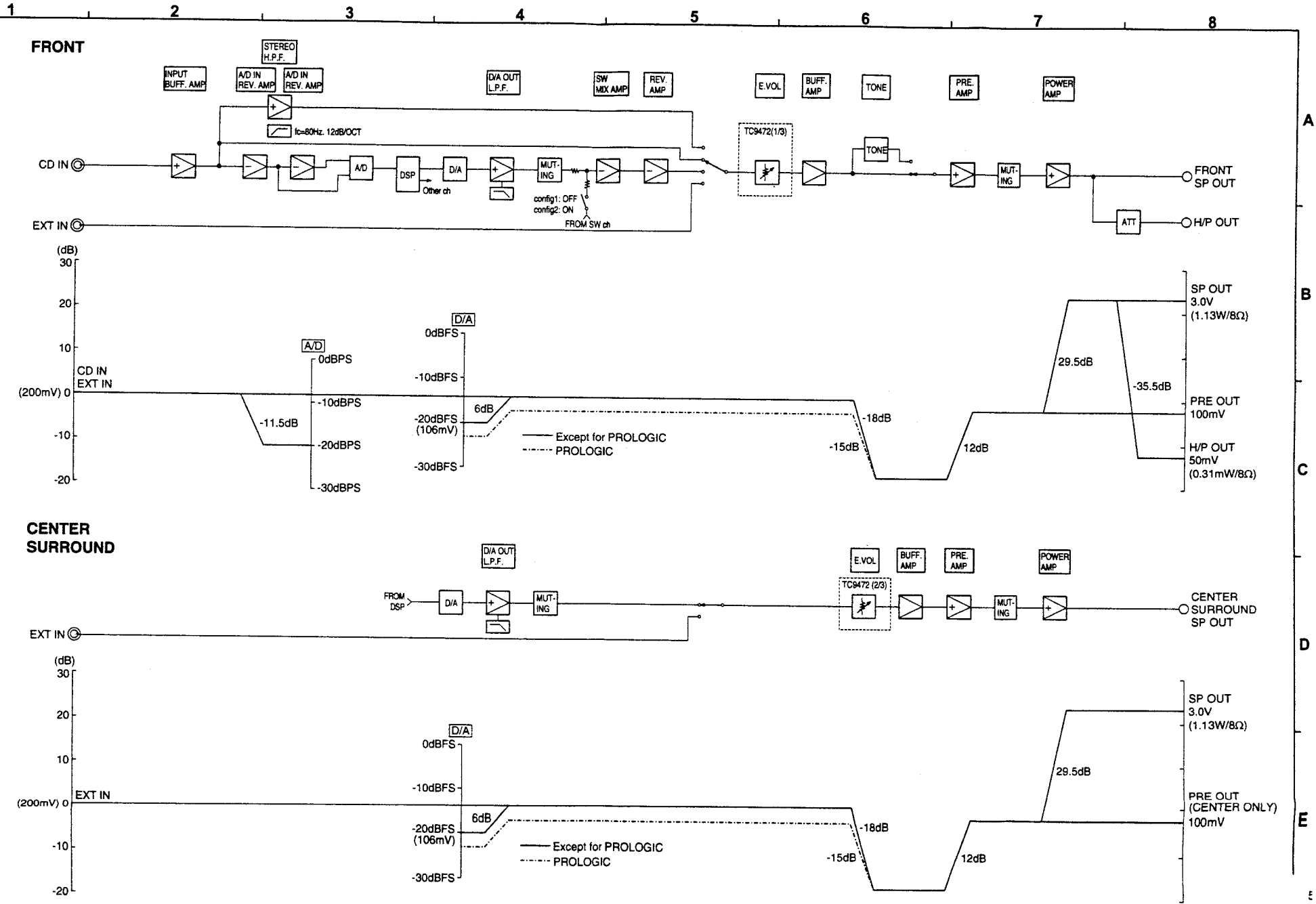


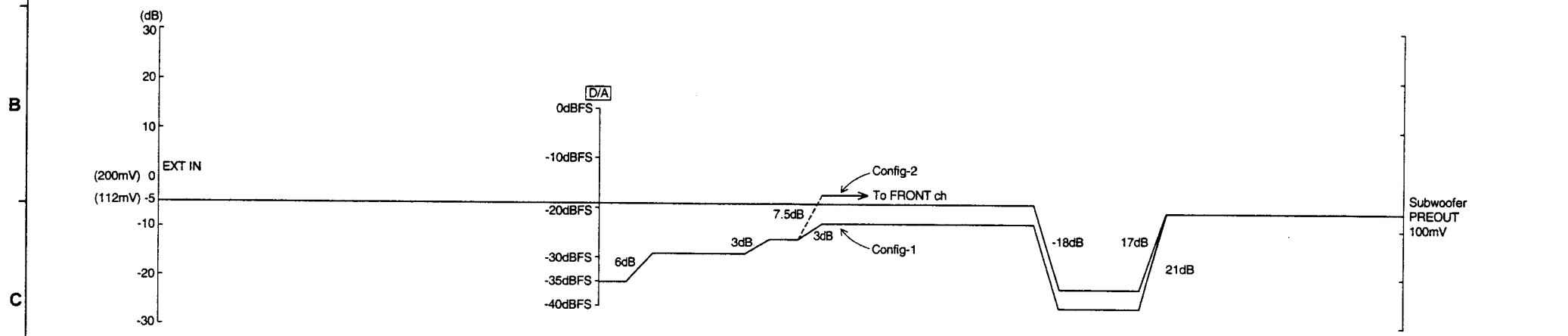
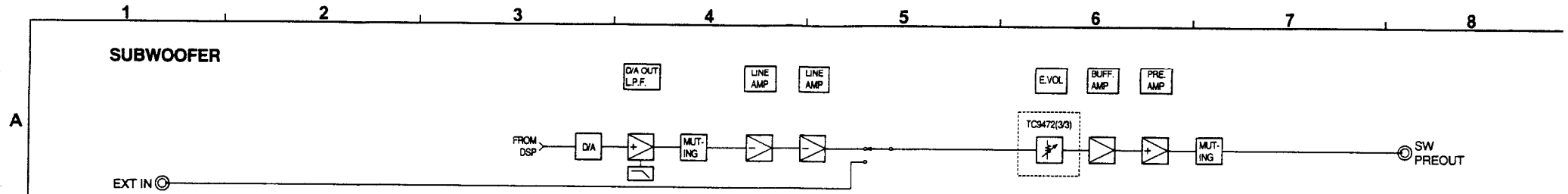
CLOCK FLOW



1
2
3
4

LEVEL DIAGRAM



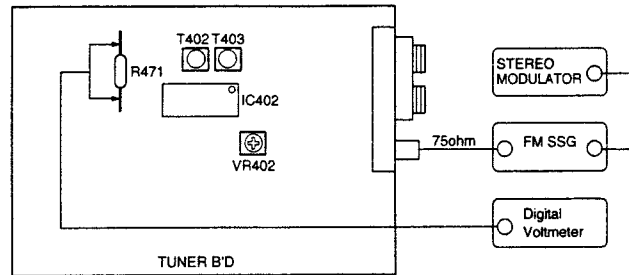


ADJUSTMENT

Tuner Section

CONNECTION DIAGRAM OF MEASURING INSTRUMENTS

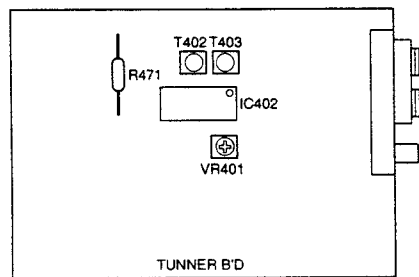
● FM



FM ALIGNMENT

Step	Alignment Item	Tuning Frequency Setting	Input					Output		Adjustment	
			Type	Frequency	Input Level	Modulation	Coupling	Type	Connect to	Points	Adjust to
1	Center Adjustment	98.1MHz (98.0MHz)	FM SSG	98.1MHz	60dB μ	—	Antenna Terminal	Digital Voltmeter	R471	T402	$\pm 50mV$
2	Distortion	98.1MHz (98.0MHz)	FM SSG	98.1MHz	60dB μ	Mono 1kHz 100%	Antenna Terminal	Distortion Meter	Output Terminal (L)	T403	Minimum Distortion
3	Repeat Steps 1 and 2										
4	Signal Level	98.1MHz (98.0MHz)	FM SSG	98.1MHz	20dB μ	OFF	Antenna Terminal	Light "TUNED" on FL Display	VR402		20 $^{+14}_{-10}$ dB

● AM



AM ALIGNMENT

Step	Alignment Item	Frequency	Input	Output		Adjustment		Remarks
				Type	Connect to	Points	Adjust to	
1	Signal Level	999 (1000) kHz	AM SSG	—	—	VR401	Light "TUNED" on FL Display	SSG OUTPUT 74dB μ (EMF)

Audio Section

Idling Current

Required measurement equipment : DC Voltmeter

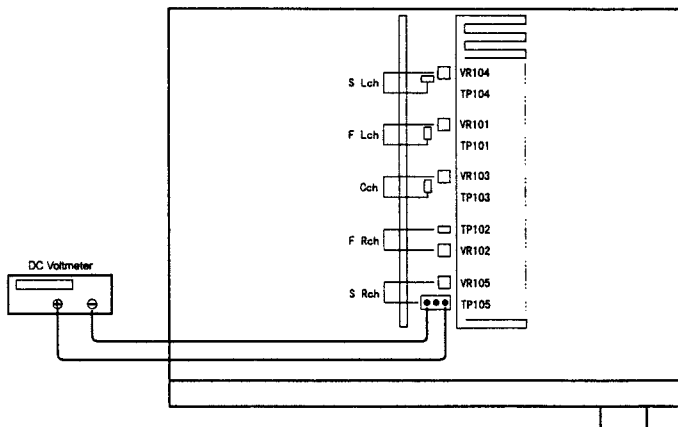
Preparation

- (1) Avoid direct blow from an air conditioner or an electric fan, and adjust the unit at normal room temperature 15 °C ~ 30 °C (59 °F ~ 86 °F).
- (2) Presetting
 - POWER (Power source switch) → OFF
 - SPEAKER (Speaker terminal) → No load (Do not connect speaker, dummy resistor, etc.)

Adjustment

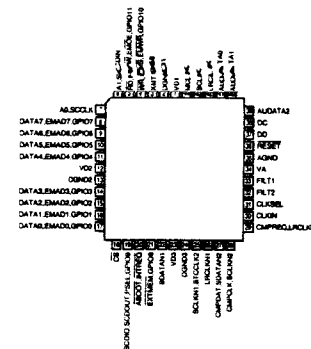
- (1) Remove top cover and set VR101, VR102, VR103, VR104, VR105 on Amp. Unit at full counterclockwise (◯) position.
- (2) Connect DC Voltmeter to test points (FRONT-Lch: TP101, FRONT-Rch: TP102, CENTER ch: TP103, SURROUND-Lch: TP104, SURROUND-Rch: TP105).
- (3) Connect power cord to AC Line, and turn power switch "ON".
- (4) Presetting.

MASTER VOLUME	: "----" counterclockwise (◯ min.)
MODE	: 5CH STEREO
FUNCTION	: CD
- (5) Within 2 minutes after the power on, turn VR101 clockwise (◯) to adjust the TEST POINT voltage to 1.5 mV ±0.5 mV DC.
- (6) After 10 minutes from the preset above, turn VR101 to set the voltage to 2 mV ±0.5 mV DC.
- (7) Adjust the Variable Resistors of other channels in the same way.



SEMICONDUCTORS

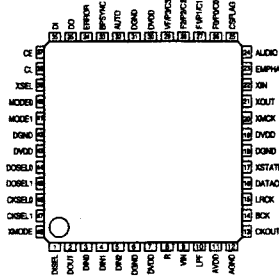
- ICs
- CS492604-CLR (IC812)



CS492604-CLR Terminal Function

Pin No.	Pin Name	Function
1	VD1	Digital positive supply
2	DGND1	Digital supply ground
3	XMT958	SPDIF transmitter output
4	WR_DS, EMAD7, GPIO10	Host write strobe or host data strobe or external memory write enable or general purpose input & output number 10
5	RD_RW, EMOE, GPIO11	Host parallel output enable or host parallel RW or external memory output enable or general purpose input & output number11
6	A1, SCCIN	Host address bit one or SPI serial control data input
7	A0, SCCLK	Host parallel address bit zero or serial control port clock
8	DATA7, EMAD7, GPIO7	
9	DATA6, EMAD6, GPIO6	
10	DATA5, EMAD5, GPIO5	
11	DATA4, EMAD4, GPIO4	
12	VD2	Digital positive supply
13	DGND2	Digital supply ground
14	DATA3, EMAD3, GPIO3	
15	DATA2, EMAD2, GPIO2	
16	DATA1, EMAD1, GPIO1	
17	DATA0, EMAD0, GPIO0	
18	CS	Host parallel chip select, host serial SPI chip select
19	SCDIO, SCDOUT, PSEL, GPIO9	Serial control port data input and output, parallel port type select
20	INTREQ, ABOOT	Control port interrupt request, automatic boot enable
21	EXTMEM, GPIO8	External memory chip select or general purpose input & output number 8
22	SDATAN1	PCM audio data input number one
23	VD3	Digital positive supply
24	DGND3	Digital supply ground
25	SCLKN1, STCCLK2	PCM audio input bit clock
26	LRCLKN1	PCM audio input sample rate clock
27	CMPDAT, SDATAN2	PCM audio data input number two
28	CMPCLK, SCLKN2	PCM audio input bit clock
29	CMPREQ, LRCLKN2	PCM audio input sample rate clock
30	CLKIN	Master clock input
31	CLKSEL	DSP clock select
32	FILT2	Phase locked loop filter
33	FILT1	Phase locked loop filter
34	VA	Analog positive supply
35	AGND	Analog supply ground
36	RESET	Master reset input
37	DD	Reserved
38	DC	Reserved
39	AUDATA2	Digital audio output 2
40	AUDATA1	Digital audio output 1
41	AUDATA0	Digital audio output 0
42	LRCLK	Audio output sample rate clock
43	SCLK	Audio output bit clock
44	MCLK	Audio master clock

LC89055W (IC810)

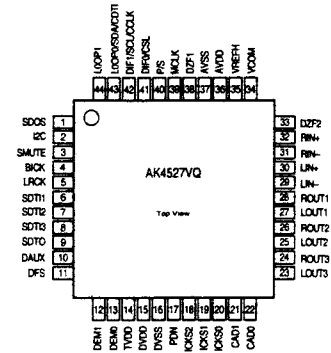


LC89055W Terminal Function

Pin No.	Pin Name	I/O	Function
1	DISEL	I	Data input terminal (select input pin of DIN0, DIN1)
2	DQOUT	O	Input bi-phase data through output terminal
3	DIN0	I	Amp built-in coaxial/optical input correspond data input terminal
4	DIN1	I	Amp built-in coaxial/optical input correspond data input terminal
5	DIN2	I	Optical input correspond data input terminal
6	DGND		Digital GND
7	DVDD		Digital power supply
8	R	I	VCO gain control input terminal
9	VIN	I	VCO free-run frequency setting input terminal
10	LPF	O	PLL loop filter setting terminal
11	AVDD		Analog power supply
12	AGND		Analog GND
13	CKOUT	O	Clock output terminal (256fs, 384fs, 512fs, X'tal osc., VCO free-run osc.)
14	BCK	O	64fs clock output terminal
15	LRCK	O	fs clock output terminal (L: Rch, H: Lch, I ² S: Reverse)
16	DATAO	O	Data output terminal
17	XSTATE	O	Input data detecting result output terminal
18	DGND		Digital GND
19	DVDD		Digital power supply
20	XMCK	O	X'tal osc. clock output terminal (24.576MHz or 12.288MHz)
21	X'OUT	O	X'tal osc. connection output terminal
22	XIN	I	X'tal osc. connection input terminal, external signal input possible (24.576MHz or 12.288MHz)
23	EMPHA	O	Emphasis information output terminal of channel status
24	AUDIO	O	Bit1 output terminal of channel status
25	CSFLAG	O	Top 40bit revise flag output terminal of channel status
26	F0/P0/C0	O	Input fs cal. sig. out/data type out/input word inf. output terminal
27	F1/P1/C1	O	Input fs cal. sig. out/data type out/input word inf. output terminal
28	F2/P2/C2	O	Input fs cal. sig. out/data type out/input word inf. output terminal
29	VF/P3/C3	O	Validity flag out/data type out/input word inf. output terminal
30	DVDD		Digital power supply
31	DGND		Digital GND
32	AUTO	O	Non PCM burst data transfer detect sig. output terminal
33	BPSYNC	O	Non PCM burst data preamble Pa, Pb, Pc, Pd sync sig. output terminal
34	ERROR	O	PLL lock error, data error flag output terminal
35	DO	O	CPU/ID read data output terminal
36	DI	I	CPU I/F write data input terminal
37	CE	I	CPU I/F chip enable input terminal
38	CL	I	CPU I/F chip enable input terminal
39	XSEL	I	Frequency select input pin of XIN X'tal osc. (24.576MHz or 12.288MHz)
40	MODE0	I	Mode setting input terminal
41	MODE1	I	Mode setting input terminal
42	DGND		Digital GND
43	DVDD		Digital power supply
44	DOSEL0	I	Data output format select input terminal
45	DOSEL1	I	Data output format select input terminal
46	CKSEL0	I	Output clock select input terminal
47	CKSEL1	I	Output clock select input terminal
48	XMODE	I	Reset input terminal

* For latch-up countermeasure, set digital (DVDD) and analog (AVDD) power on/off in the same timing.

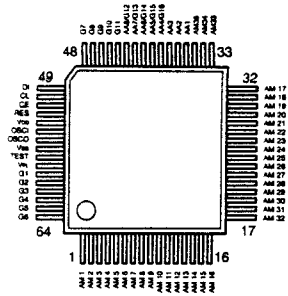
AK4527VQ (IC813)



AK4527VQ Terminal Function

Pin No.	Pin Name	I/O	Function
1	SDOS	I	SDTO source select pin, L: Internal ADC output, H: DAUX input
2	I2C	I	Serial control mode select pin, L: 3-core serial, H: I ² C bus
3	SMUTE	I	Soft mute pin, H: Soft mute start, L: Release
4	BCK	I	Audio serial data clock pin
5	LRCK	I	Input channel clock pin
6	SDTI1	I	DAC1 audio serial data input pin
7	SDTI2	I	DAC2 audio serial data input pin
8	SDTI3	I	DAC3 audio serial data input pin
9	SDTO	O	Audio serial data output pin
10	DAUX	I	Auxiliary audio serial data input pin
11	DFS	I	Double speed sampling mode pin, L: Normal, H: Double
12	DEM1	I	De-emphasis-1 pin
13	DEM2	I	De-emphasis-2 pin
14	TVDD	—	Power pin for output buffer, 2.7V~5.5V
15	DVDD	—	Digital power pin, 4.5V~5.5V
16	DVSS	—	Digital GND pin, 0V
17	PDN	I	Power down & reset pin, L: Powered-down and register initialized, Reset with PDN when switching CAD0-1
18	ICKS2	I	Input clock select-2 pin
19	ICKS1	I	Input clock select-1 pin
20	ICKS0	I	Input clock select-0 pin
21	CAD1	I	Chip address-1 pin
22	CAD0	I	Chip address-0 pin
23	LOUT3	O	DAC3L channel analog out pin
24	ROUT3	O	DAC3R channel analog out pin
25	LOUT2	O	DAC2L channel analog out pin
26	ROUT2	O	DAC2R channel analog out pin
27	LOUT1	O	DAC1L channel analog out pin
28	ROUT1	O	DAC1R channel analog out pin
29	LIN-	I	L-ch analog inverted input pin
30	LIN+	I	L-ch analog non-inverted input pin
31	RIN-	I	R-ch analog inverted input pin
32	RIN+	I	R-ch analog non-inverted input pin
33	DZF2	O	0 input detect 2 pin, H: Input data of G2 is 8192 times "0" in a raw or RSTN bit "0". L: When P/S="0"
34	VCOM	O	Common V-out pin, AVDD/2, connect large capacitor to avoid noise
35	VREFH	I	Ref. V input pin, AVDD
36	AVDD	—	Analog GND pin, 4.5V~5.5V
37	AVSS	—	Analog GND pin, 0V
38	DZF1	O	0 input detect pin, H: Input data of G1 is 8192 times "0" in a raw or RSTN bit "0". L: When P/S="0"
39	MCLK	I	Master clock input pin
40	P/S	I	Parallel/Serial select pin, L: Serial control
41	DIF0	I	Audio data I/F format 0 pin (parallel control)
	CSN	I	Chip select pin (3-wire serial control), connect to DVDD when I ² C bus control
42	DIF1	I	Audio data I/F format 1 pin (parallel control)
	SCL/CCLK	I	Control data clock pin (serial control), I ² C="L": CCLK (3-wire serial), I ² C="H": SCL (I ² C bus)
43	LOOP0	I	Loop back mode 0 pin (parallel control), effects digital loop back ADC to all DAC
	SDA/CDT1	I/O	Control data input pin (serial control), I ² C="L": CDT1 (3-wire serial), I2C="H" SDA (I ² C bus)
44	LOOP1	I	Loop back mode 1 pin, from SDT1 to all DAC

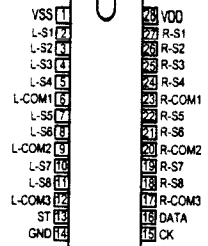
LC75721E (C301)



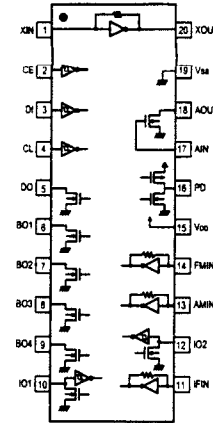
● LC75721E Terminal Function

Symbol	Function
V _{DD}	Power terminal +5V
V _{SS}	Power terminal GND
V _{FL}	Power terminal FL drive
DI	Serial data transfer terminal
CL	DI: Data
CE	CL: Clock
CE	CE: Chip enable
OSCI	External CR connecting terminal
OSCO	External CR connecting terminal
RES	System reset terminal
AM1-AM35	Anode output terminal
AA1-AA3	Anode/Grid output terminal
AA4/G16	Anode/Grid output terminal
AA5/G15	Anode/Grid output terminal
AA6/G14	Anode/Grid output terminal
AA7/G13	Anode/Grid output terminal
AA8/G12	Anode/Grid output terminal
G1-G11	Grid output terminal
TEST	LSI test terminal

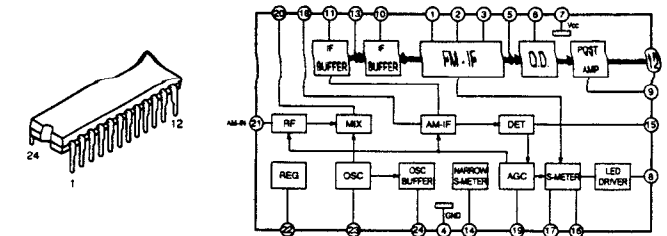
KIC9164AN(IC203)



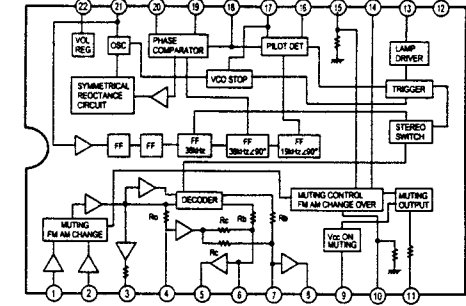
LC72131M (IC401)



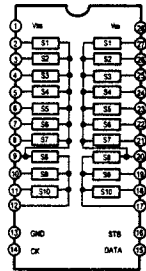
LA1266 (IC402)



LA3401 (IC403)



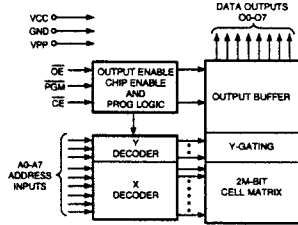
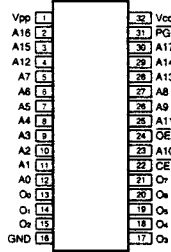
TC9273N-007(IC701)



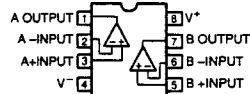
● TC9273N Terminal Function

Pin No	Symbol	Name	Function
1	V _{DD}	+Power Terminal	Dual Power Use: V _{DD} = 8.0-17 V Single Power Use: V _{DD} = 8.0-18 V
13	GND	Digital Ground	GND=0V
28	V _{DD}	+Power Terminal	V _{SS} =8.0-17V GND=0V
2-12	S1-S10	I/O Terminal	Input terminal of analog switch.
14	CK	Clock input	Clock input for data transfer.
15	DATA	Data input	Serial input for switch setting.
16	STB	Strobe input	Strobe input for data writing.

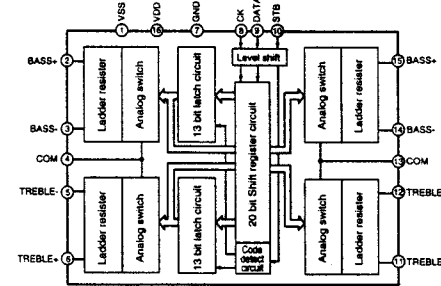
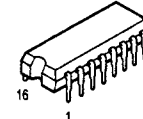
W27C020(IC807)



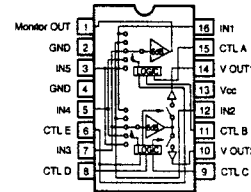
NJM2068DD (IC205-210, 551, 702-704, 814-816) BA4510F(IC805, 806)



TC9184AP (IC552)



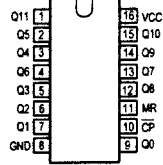
BA7625 (IC601, 651, 652)



A	B	E	MONITOR OUT	C	D	E	V OUT 1	C	D	E	V OUT 2
L	L	*	IN 1	L	L	*	IN 1	L	L	*	IN 1
H	L	*	IN 2	H	L	*	IN 2	H	L	*	IN 2
L	H	*	IN 3	L	H	*	IN 3	L	H	*	IN 3
H	H	L	IN 4	H	H	L	IN 4	H	H	L	IN 4
H	H	H	IN 5	H	H	H	IN 5	H	H	H	IN 5

Note 1: * mark means that feasible for either H or L.
 Note 2: Each input terminal is provided with sink chip clamp (BA7625).
 Each input terminal takes 20kohm at the end (BA7626).

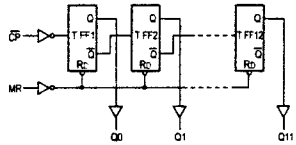
SN74LV4040 (IC831)



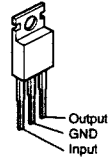
Terminal Function

INPUTS		OUTPUTS
CP	MR	Qn
↑	L	no change
↓	L	count
X	H	L

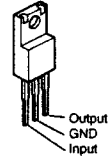
H=HIGH voltage level
 L=LOW voltage level
 X=don't care
 ↑=LOW-to-HIGH clock transition
 ↓=HIGH-to-LOW clock transition



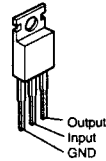
**KIA7805 (IC104)
 KA7815 (IC101)**



**NJM7805FA (S)
 (IC103, 829)**



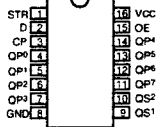
KIA7915 (IC102)



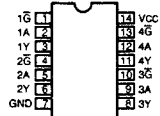
BA033FP (IC811)



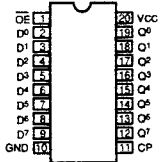
PC74HC4094 (IC302, 602)



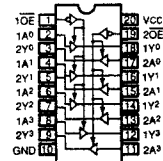
TC74HC125D (IC821)



PC74HCT574 (IC808,809)

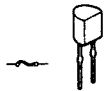


DC74HCT244 (IC828,830)



● **IC PROTECTOR**

ICP-N15 (IC105)



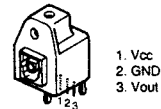
● **POSISTOR**

PA3T7D330BW16



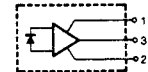
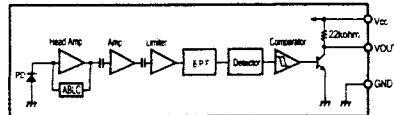
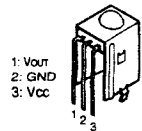
● **OPTICAL OUT**

GP1F37R1 (IC801, 802)



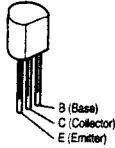
● **IR SENSOR**

NJL64H380A(RMC301)

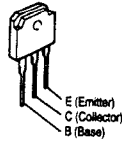


● TRANSISTOR

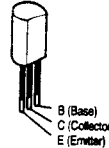
- KSC1845 (F)
- KTA1266 (Y)
- KTA1268 (BL)
- KTC2874 (B)
- KTC3198 (Y)
- KTC3200 (BL)
- KSA992 (F)



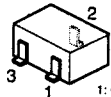
- 2SB1560
- 2SD2390



- KSA916(Y)

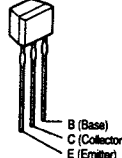


- 2SC2412K (S)
- KTC3880 (S)

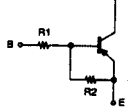


- 1: GND/(Emitter)
- 2: Output/(Collector)
- 3: Input/(Base)

- DTA114ES (PNP)
- DTA144ES (PNP)
- DTC114ES (NPN)
- DTC144ES (NPN)
- DTC114YS (NPN)

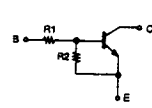


PNP Type



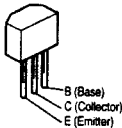
	R1	R2
DTA114ES	10k Ω	10k Ω
DTA144ES	47k Ω	47k Ω

NPN Type

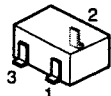


	R1	R2
DTC114ES	10k Ω	10k Ω
DTC114YS	10k Ω	47k Ω
DTC144ES	47k Ω	47k Ω

- 2SC1740S

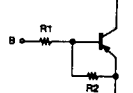


- DTA114EK
- DTA144EK
- DTC114EK
- DTC114YK
- DTC144EK



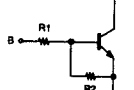
- 1: GND/(Emitter)
- 2: Output/(Collector)
- 3: Input/(Base)

PNP Type



	R1	R2
DTA114EK	10k Ω	10k Ω
DTA144EK	47k Ω	47k Ω

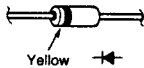
NPN Type



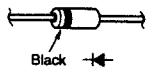
	R1	R2
DTC114EK	10k Ω	10k Ω
DTC114YK	10k Ω	47k Ω
DTC144EK	47k Ω	47k Ω

● DIODES (LED Included)

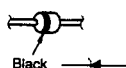
- 1SS133



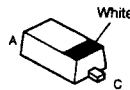
- 1N4004A



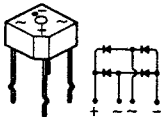
- MTZJ5.6B
- MTZJ6.2B
- MTZJ18B
- MTZJ20B
- MTZJ3.3B
- MTZJ7.5B
- MTZJ5.1B
- MTZJ6.8B
- MTZJ11B



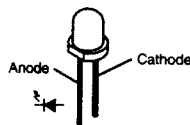
- KDS160



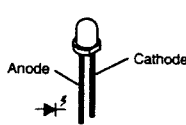
- KBPC604



- HL50RDRF4T (LED301~307)

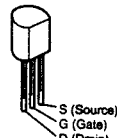


- HL-30RDRF3 (LED308,309)



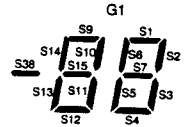
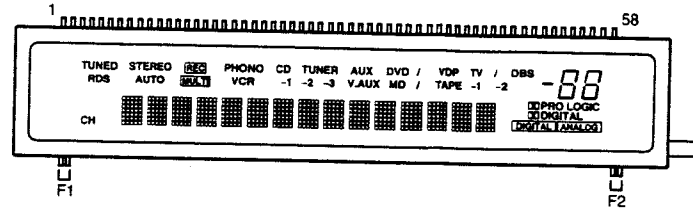
● FET

- 2SK117(Y)

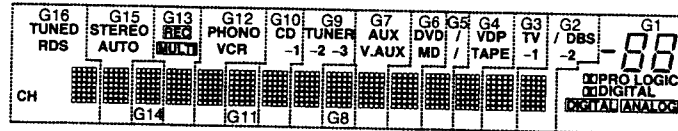
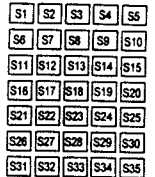


● FL DISPLAY

- 16-st-42GNK (FL301)



G2-G16



Pin Assignment

PIN NO.	1	2	3	4	5	6	7	8	9	10	11	12	13	14	15	16	17	18	19	20
CONNECTION	F1	F1	S1	S2	S3	S4	S5	S6	S7	S8	S9	S10	S11	S12	S13	S14	S15	S16	S17	S18
PIN NO.	21	22	23	24	25	26	27	28	29	30	31	32	33	34	35	36	37	38	39	40
CONNECTION	S19	S20	S21	S22	S23	S24	S25	S26	S27	S28	S29	S30	S31	S32	S33	S34	S35	S36	S37	S38
PIN NO.	41	42	43	44	45	46	47	48	49	50	51	52	53	54	55	56	57	58		
CONNECTION	G16	G15	G14	G13	G12	G11	G10	G9	G8	G7	G6	G5	G4	G3	G2	G1	F2	F2		

F1,F2 : Filament
G1-G16 : Grid
S1-S38 : Anode

Anode & Grid Assignment

	G1	G2-G16		G1	G2-G16		G1	G2-G16		G1	G2-G16		G1	G2-G16
S1	S1	S1	S10	S10	S10	S19	---	S19	S28	---	S28		---	S28
S2	S2	S2	S11	S11	S11	S20	---	S20	S29	---	S29		---	S29
S3	S3	S3	S12	S12	S12	S21	---	S21	S30	---	S30		---	S30
S4	S4	S4	S13	S13	S13	S22	---	S22	S31	---	S31		---	S31
S5	S5	S5	S14	S14	S14	S23	---	S23	S32	---	S32		---	S32
S6	S6	S6	S15	S15	S15	S24	---	S24	S33	---	S33		---	S33
S7	S7	S7	S16	---	S16	S25	---	S25	S34	---	S34		---	S34
S8	---	S8	S17	---	S17	S26	---	S26	S35	---	S35		---	S35
S9	S9	S9	S18	DIGITAL S18	---	S27	---	S27	---	---	---		---	---

	G1	G2	G3	G4	G5	G6	G7	G8	G9	G10	G11	G12	G13	G14	G15	G16
S36	DIGITAL	/	TV	VDP	(/DVD)	DVD	AUX	---	TUNER	CD	---	PHONO	REC	---	STEREO	TUNED
S37	ANALOG	-2	TAPE	(/MD)	MD	V.MAX	---	---	-2	-1	---	VCR	MULTI	---	AUTO	RDS
S38	S38	DBS	---	---	---	---	---	---	-3	---	---	---	---	---	---	CH

1

2

3

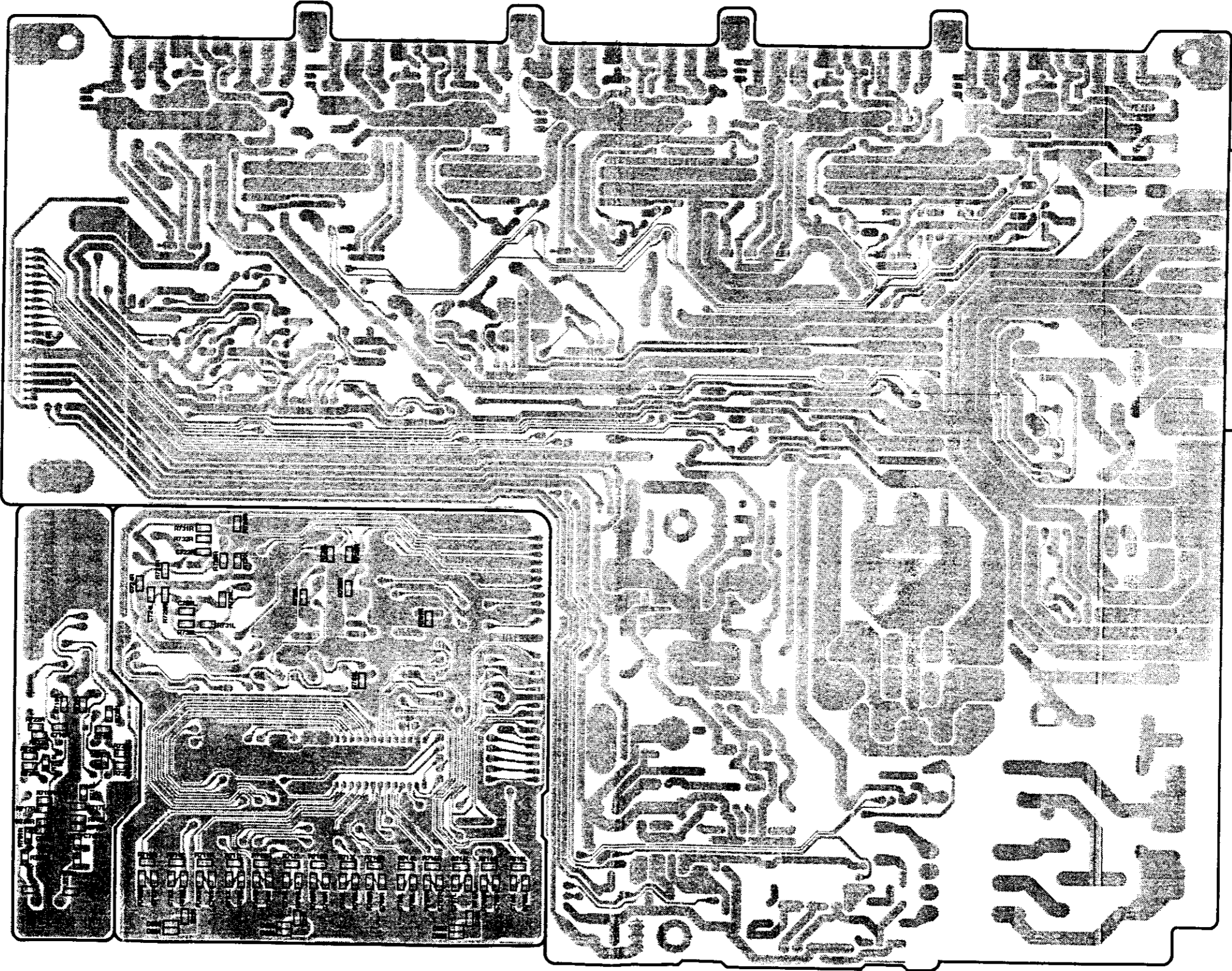
4

5

6

7

8



A

B

C

D

E

FOIL SIDE

1 2 3 4 5 6 7 8

PROCESSOR P.W.B. ASS'Y

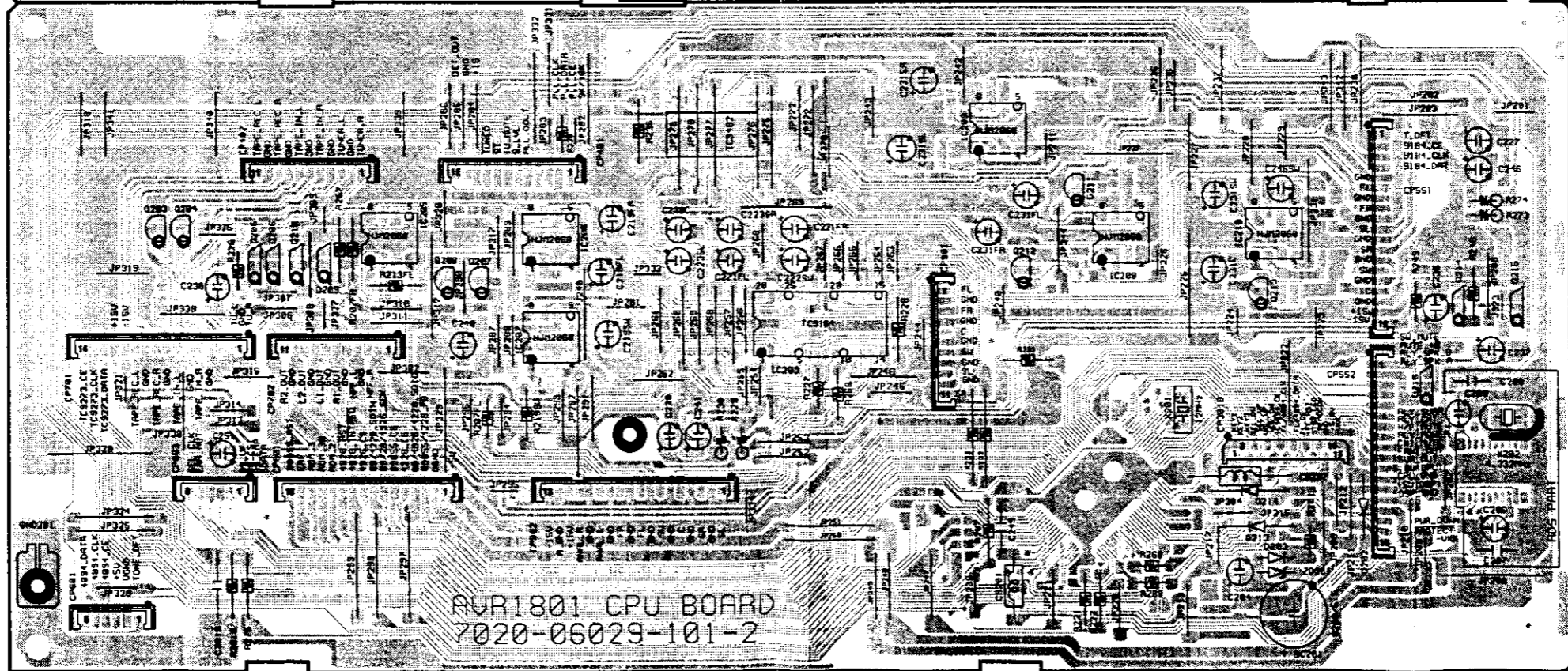
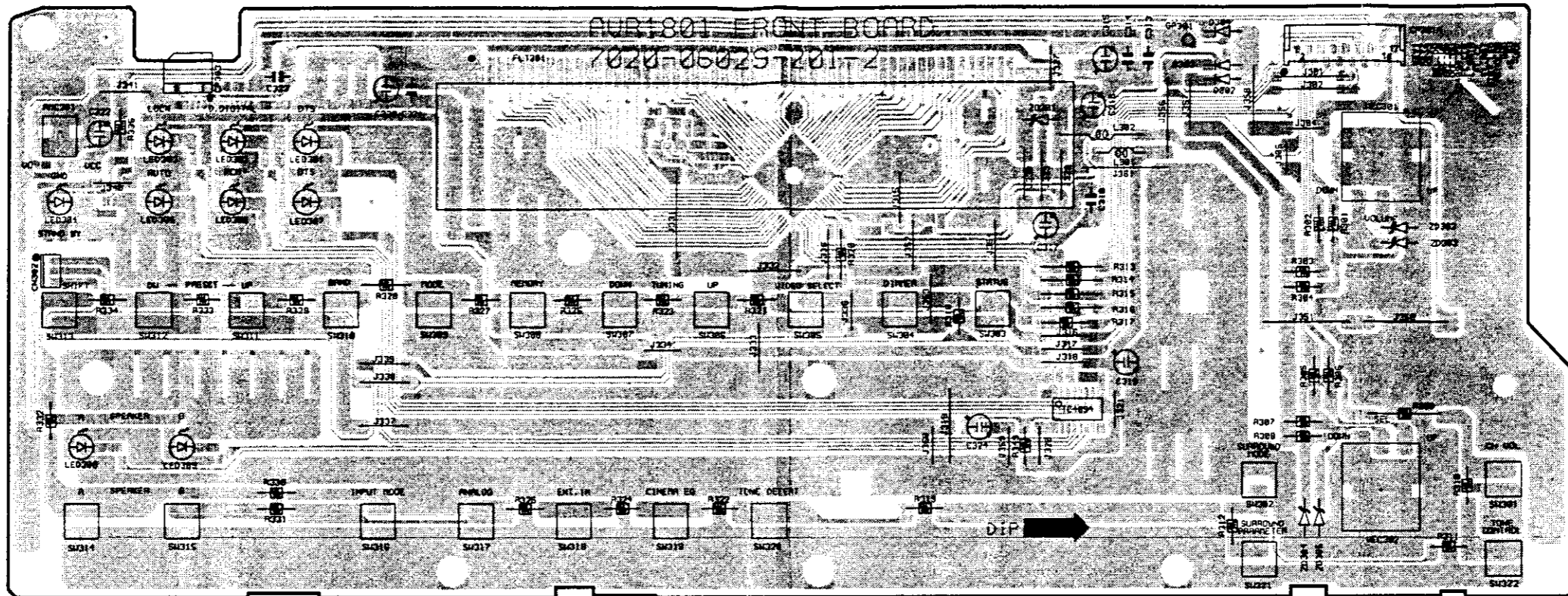
A

B

C

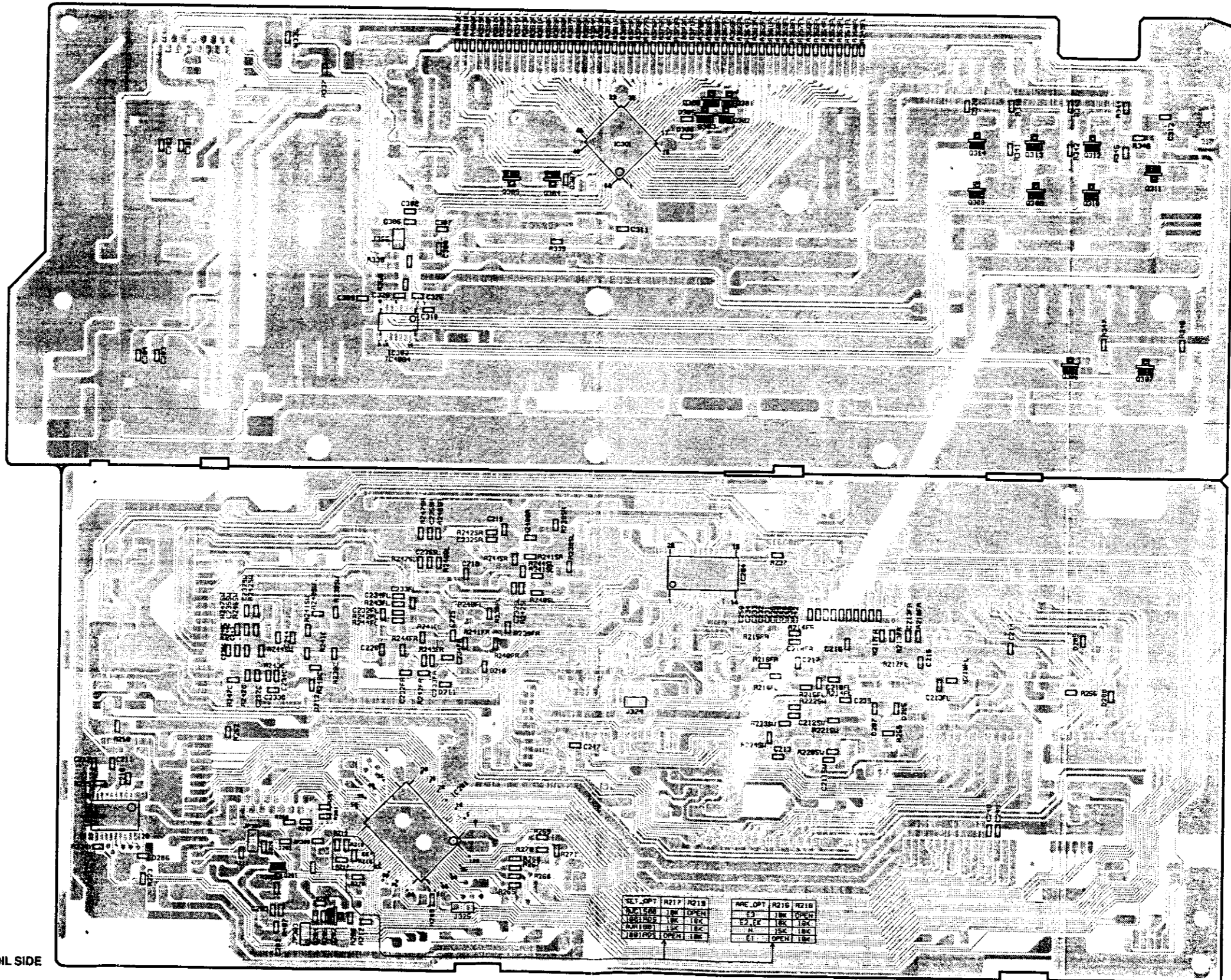
D

E



COMPONENT SIDE

1 2 3 4 5 6 7 8



A
B
C
D
E

FOIL SIDE

NET	OPT	R217	R218
R217	10K	10K	OPEN
R218	10K	10K	10K
R219	10K	10K	10K
R220	10K	10K	10K
R221	10K	10K	10K

NET	OPT	R215	R216
R215	10K	10K	10K
R216	10K	10K	10K
R217	10K	10K	10K
R218	10K	10K	10K
R219	10K	10K	10K

1 2 3 4 5 6 7 8

CNT P.W.B. ASS'Y

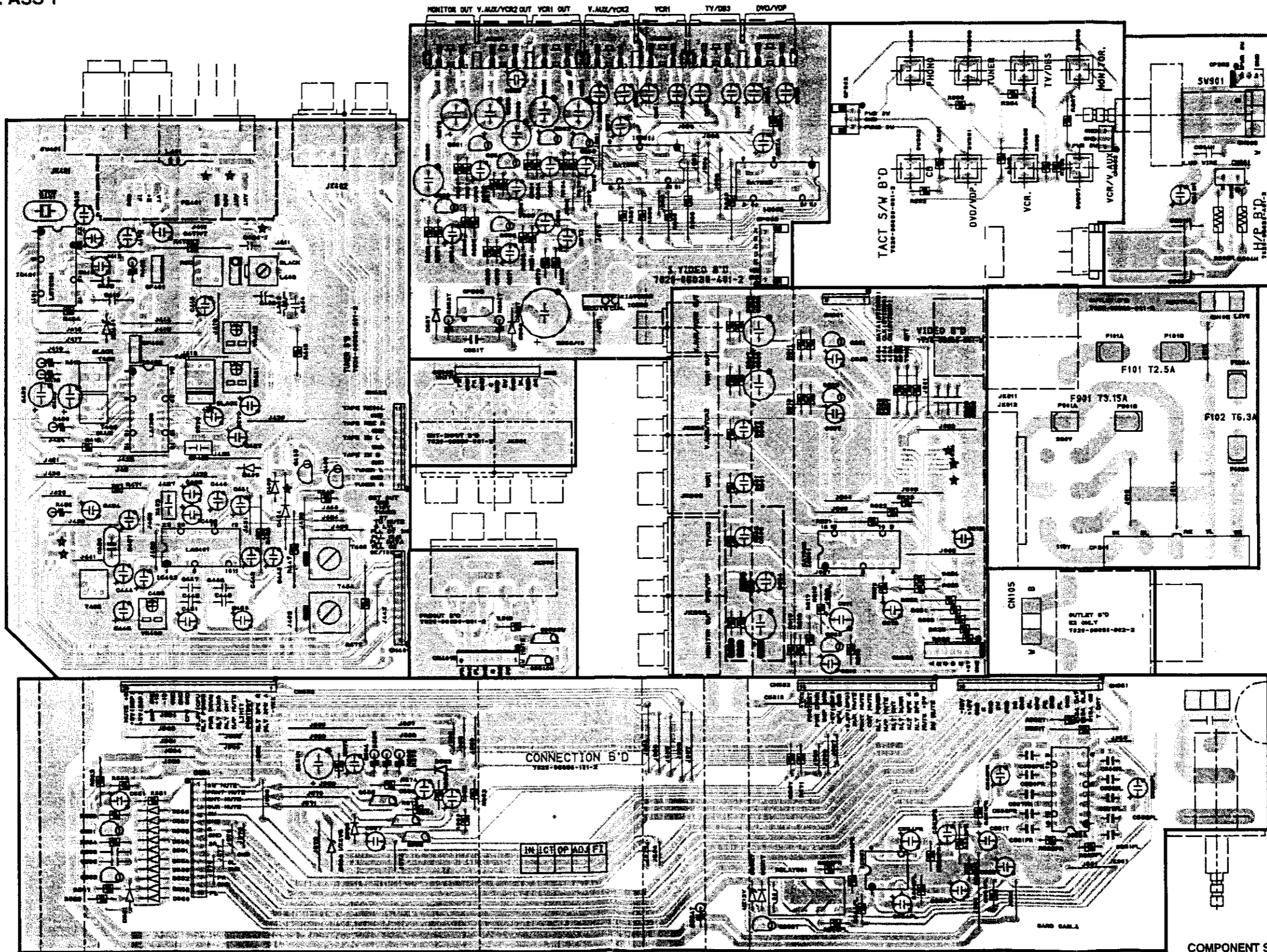
A

B

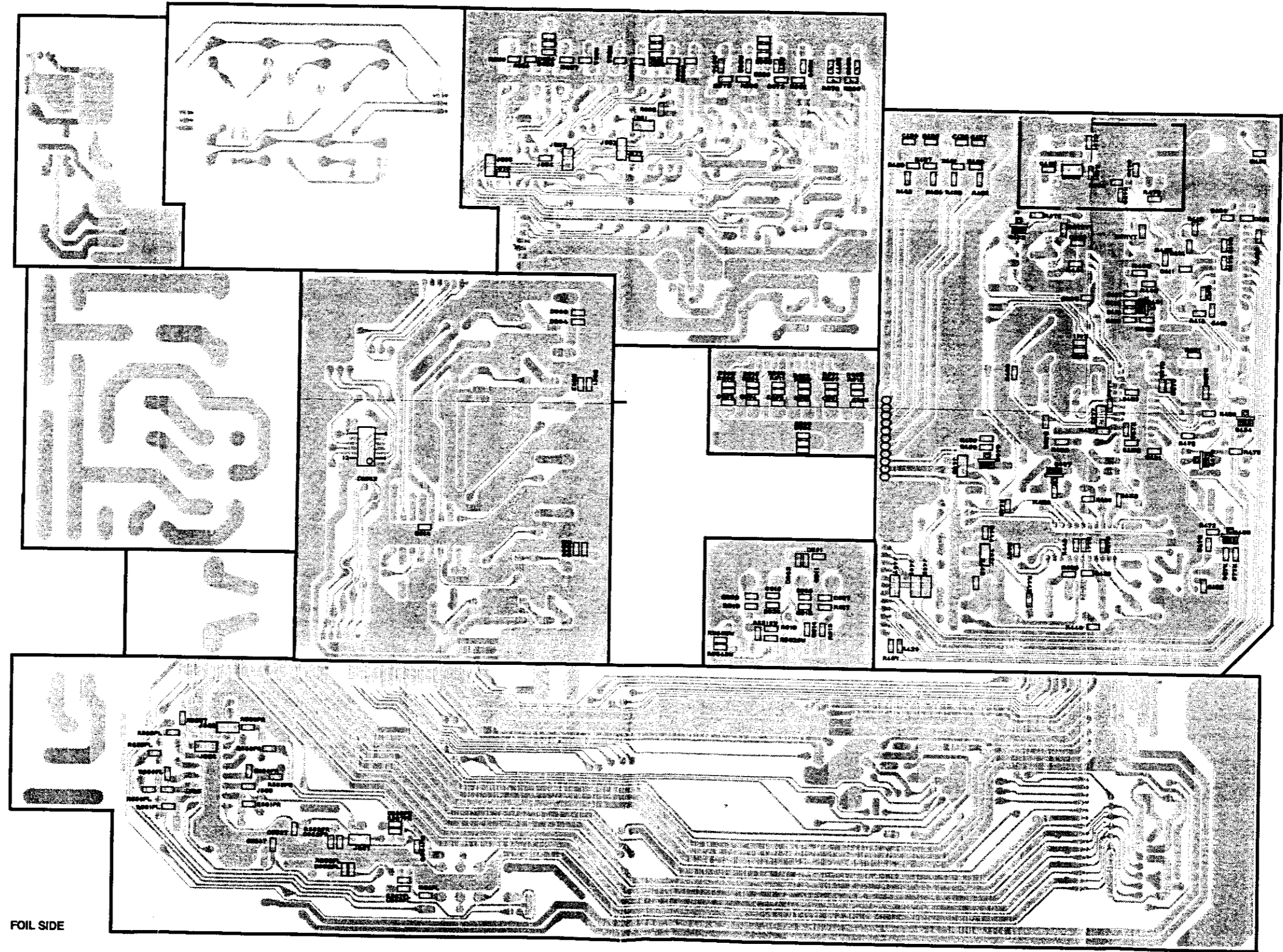
C

D

E



1 2 3 4 5 6 7 8



FOIL SIDE

A

B

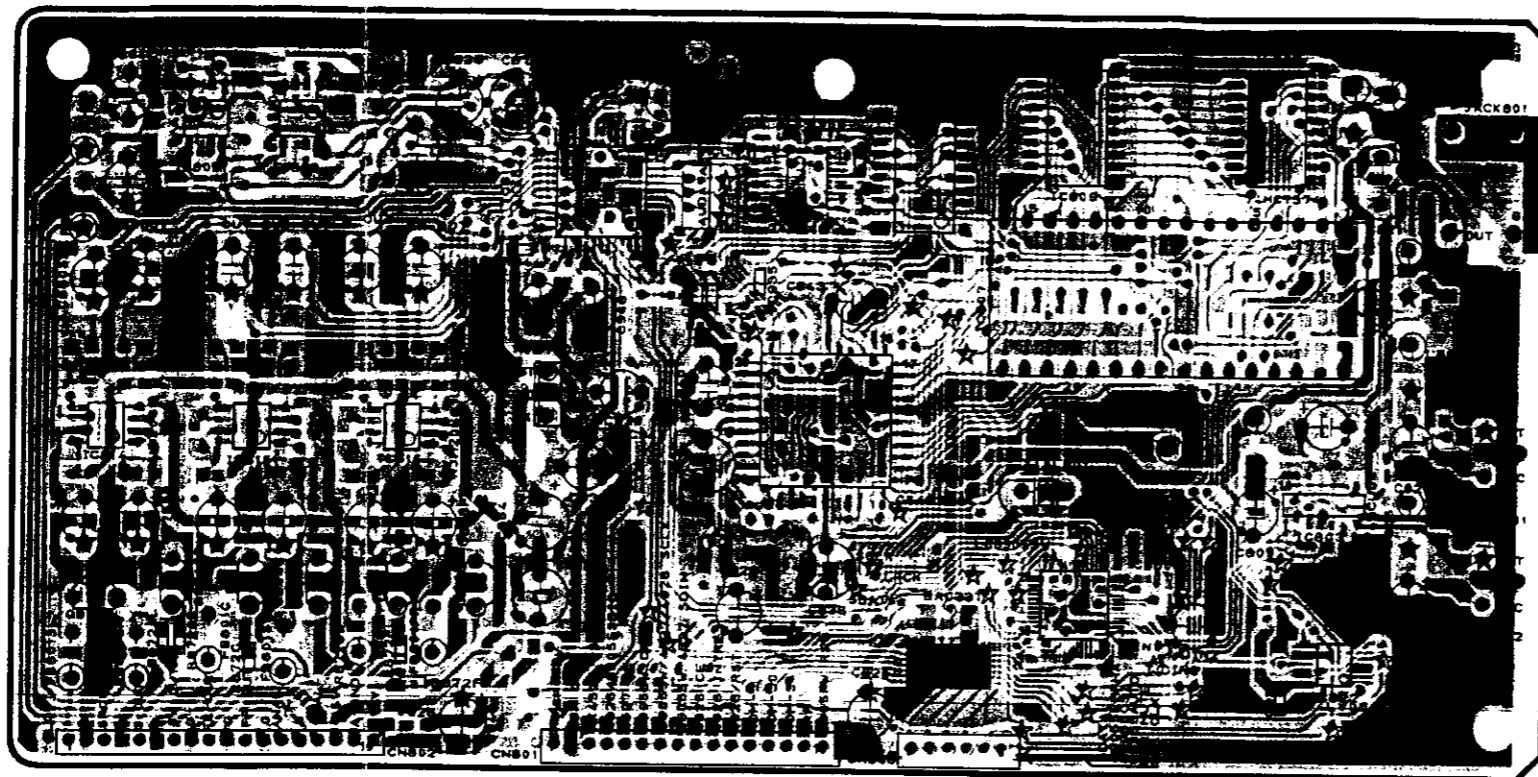
C

D

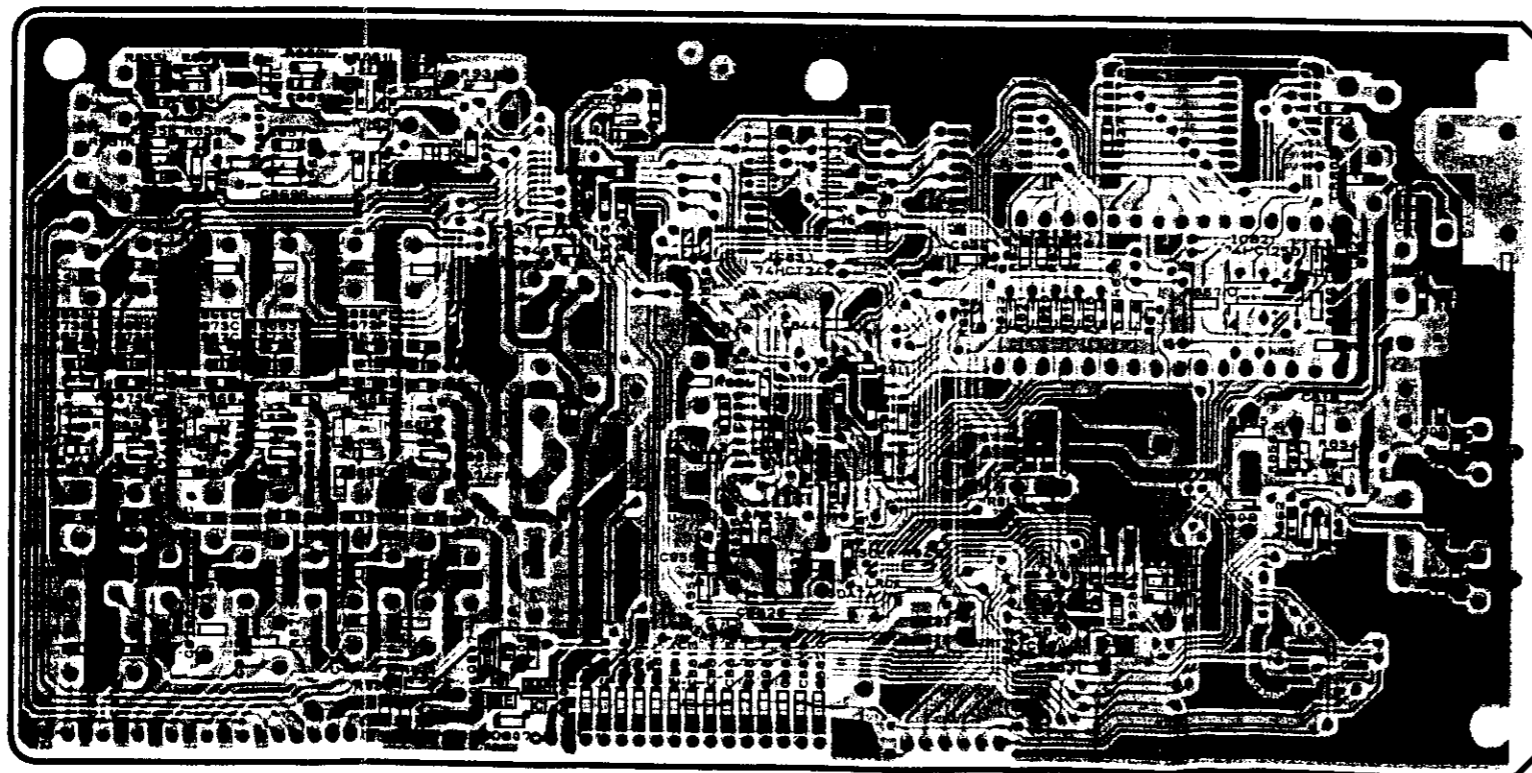
E

1 2 3 4 5 6 7 8

DSP P.W.B. ASS'Y

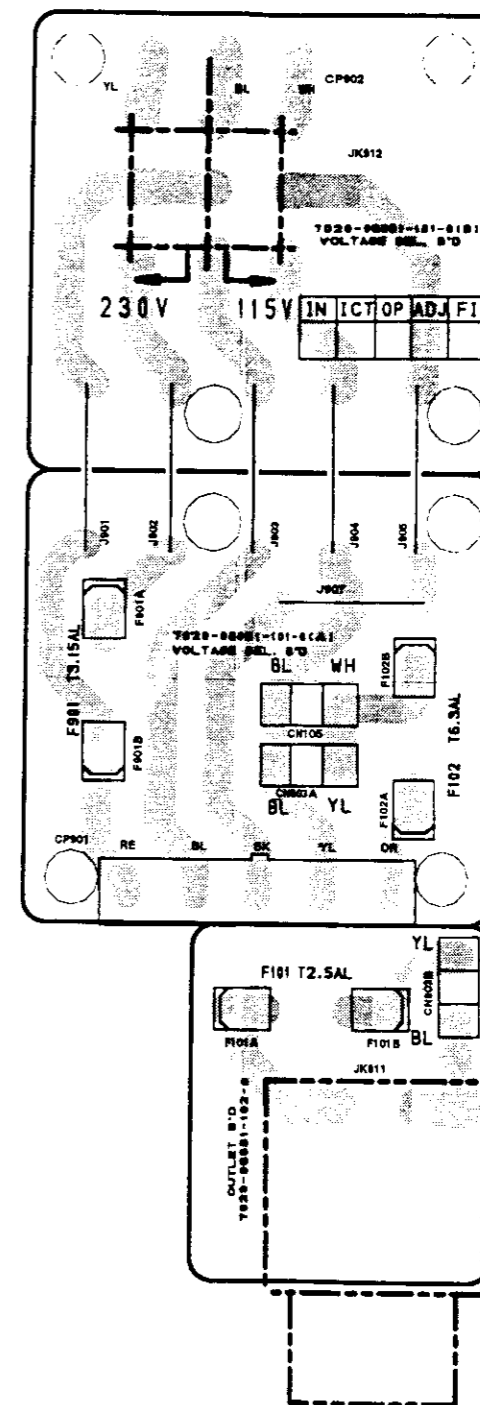


COMPONENT SIDE



FOIL SIDE

VOLTAGE SEL. P.W.B. ASS'Y



COMPONENT SIDE

A
B
C
D
E

NOTE FOR PARTS LIST

- Part indicated with the mark "G" are not always in stock and possibly to take a long period of time for supplying, or in some case supplying of part may be refused.
- When ordering of part, clearly indicate "I" and "I" (I) to avoid mis-supplying.
- Ordering part without stating its part number can not be supplied.
- Part indicated with the mark "*" is not illustrated in the exploded view.
- Not including Carbon Film ±5%, 1/4W Type in the P.W.Board parts list. (Refer to the Schematic Diagram for those parts.)

WARNING:

Parts marked with this symbol Δ have critical characteristics.
Use ONLY replacement parts recommended by the manufacturer.

Resistors

Ex: **RN** **14K** **2E** **182** **G** **ER**
Type Shape Power Resist- Allowable Others
and per- ance error

RD : Carbon	2B : 1/8W	F : ±1%	P : Pulse-resistant type
RC : Composition	2E : 1/4W	G : ±2%	NL : Low noise type
RS : Metal oxide film	2H : 1/2W	J : ±5%	NB : Non-burning type
RW : Winding	3A : 1W	K : ±10%	FR : Fuse-resistor
RH : Metal film	3D : 2W	M : ±20%	F : Lead wire forming
RK : Metal mixture	3H : 5W		

* Resistance
 $\frac{1}{\uparrow} \frac{2}{\downarrow} \frac{3}{\downarrow} \Rightarrow 1800 \text{ ohm} = 1.8 \text{ kohm}$
 Indicates number of zeros after effective number.
 2-digit effective number.
 • Units: ohm

$\frac{1}{\uparrow} \frac{2}{\downarrow} \frac{3}{\downarrow} \Rightarrow 1.2 \text{ ohm}$
 1-digit effective number.
 2-digit effective number, decimal point indicated by R.
 • Units: ohm

Capacitors

Ex: **CE** **04W** **1H** **2B2** **M** **BP**
Type Shape Dielectric Capacity Allowable Others
and per- strength error

CE : Aluminum foil electrolytic	DJ : 6.3V	F : ±1%	HS : High stability type
CA : Aluminum solid electrolytic	1A : 10V	G : ±2%	BP : Non-polar type
CS : Tantalum electrolytic	1C : 16V	J : ±5%	HR : Ripple-resistant type
CO : Film	1E : 25V	K : ±10%	DL : For charge and discharge
CK : Ceramic	1V : 35V	M : ±20%	HF : For assuring high frequency
CC : Ceramic	1H : 50V	Z : ±80%	U : UL part
CP : Oil	2A : 100V	-20%	C : CSA part
CM : Mica	2B : 125V	P : ±100%	W : UL-CSA type
CF : Metallized	2C : 180V	-∞%	F : Lead wire forming
CH : Metallized	2D : 200V	C : ±0.5pF	
	2E : 250V	D : ±0.5pF	
	2H : 500V	H : Others	
	2J : 630V		

* Capacity (electrolyte only)
 $\frac{2}{\uparrow} \frac{2}{\downarrow} \frac{2}{\downarrow} \Rightarrow 2200\mu\text{F}$
 Indicates number of zeros after effective number.
 2-digit effective number.
 • Units: μF .

$\frac{2}{\uparrow} \frac{2}{\downarrow} \frac{2}{\downarrow} \Rightarrow 2.2\mu\text{F}$
 1-digit effective number.
 2-digit effective number, decimal point indicated by R.
 • Units: μF .

* Capacity (except electrolyte)
 $\frac{2}{\uparrow} \frac{2}{\downarrow} \frac{2}{\downarrow} \Rightarrow 2200\text{pF} = 0.0022\mu\text{F}$
 (More than 2) — Indicates number of zeros after effective number.
 2-digit effective number.
 • Units: μF .

$\frac{2}{\uparrow} \frac{2}{\downarrow} \frac{1}{\downarrow} \Rightarrow 220\text{pF}$
 (0 or 1) — Indicates number of zeros after effective number.
 2-digit effective number.
 • Units: μF .

• When the dielectric strength is indicated in AC, "AC" is included after the dielectric strength value.

PARTS LIST OF P.W.B. UNIT
MAIN P.W.B. UNIT

Note: The symbols in the column "Remarks" indicate the following destinations.
 E3: U.S.A. model, Canada model E1C: China model
 EU: U.S.A. model (AVR-881) E1H: Hong Kong model
 E2: Europe model E1T: Taiwan R.O.C. model
 E1: Asia model

Ref. No.	Part No.	Part Name	Remarks	Ref. No.	Part No.	Part Name	Remarks
SEMICONDUCTORS GROUP				R107C,FL			
IC101	963 0057 903	IC KIA7815AP	J126781500060	FR,SL,SR			
IC102	963 0044 806	IC NJM7915FA	J126791500010	R108C,FL	244 2043 982	Metal oxide 0.22ohm 1W	RS1483AR22JNBST(S)
IC103	960 0196 001	IC NJM7805FA (S)	J126780500130	FR,SL,SR			
IC104	963 0057 709	IC KIA7805AP	J126780500360	R109C,FL			
IC105	960 0195 808	IC protector ICP-N15	J120001500030	FR,SL,SR			
IC701	960 0174 308	IC TC9273N-007	J080927300000	R110C,FL			
IC702-704	960 0174 502	IC NJM2068DD	J121206800000	FR,SL,SR			
Q104C,FL,FR,SL,SR	960 0196 506	Transistor KSC1845F	J5021845F0000	R111C,FL,FR,SL,SR	963 9003 013	Metal film 1.8 kohm 1/4W (NB)	C060018243520
Q111-116	960 0196 409	Transistor 2SC1740SR	J5021740S0010	R114C,FL,FR,SL,SR		Metal film 2k ohm 1/4W	C06002026P520
Q117	960 0196 904	Transistor DTC114YS (NPN)	J6020114Y0050 for E3,EU,E1,E1H,E1T	R118C,FL,FR,SL,SR	244 2043 937	Metal oxide 10ohm 1W	RS1483A10UJNBST(S)
Q161	960 0196 409	Transistor 2SC1740SR	J5021740S0010	R119C,FL,FR,SL,SR			
Q171	960 0005 202	Transistor KTC3198 (Y)	J5023198Y0000	R135,136	963 0045 203	Winding 0.1 ohm 5W	C144R10069110
Q171A,B,C	960 0196 302	Transistor KTA1268BL	J5001268B0050	R141,142	963 9003 039	Metal film 1 ohm 1/4W	C060001063050
Q172-177	960 0005 202	Transistor KTC3198 (Y)	J5023198Y0000	R148,149	963 9003 039	Metal film 1 ohm 1/4W	C060001063050
Q178	960 0005 105	Transistor KTA1266Y	J5001266Y0050	R151		Metal film 68 ohm 1/4W	C060068063520
Q179	960 0189 005	Transistor KSA916Y	J5000916Y0050	R154	963 0043 108	Metal film 2.2 Mohm 1/2W	C060022574000 for E3,EU
Q180,181	960 0196 302	Transistor KTA1268BL	J5001268B0050	R155,156	963 9003 039	Metal film 1 ohm 1/4W	C060001063050
D101-105	963 0020 309	Diode 1SS133T	K000013300520	R179		Metal film 47 kohm 1/4W (NB)	C060047343520
D121-126	963 0020 309	Diode 1SS133T	K000013300520	R181	963 0047 900	Metal film 4.7 ohm 1W	C0604R7065050
D131A,131E	960 0197 107	Diode KBPC604	K047804000020	R184	244 2043 937	Metal oxide 10ohm 1W	RS1483A10UJNBST(S)
D132	963 0020 309	Diode 1SS133T	K000013300520	R185	963 9003 039	Metal film 1 ohm 1/4W	C060001063050
D133,134	963 0046 202	Zener diode MTZJ18B	K06018R044520	R701L,R		Carbon chip 390 ohm 1/10W	C200039160200
D135	963 0020 309	Diode 1SS133T	K000013300520	R702L,R-708L,R		Carbon chip 470 ohm 1/10W	C200047160200
D136	963 0058 504	Zener diode MTZJ11B	K08011R044520	R709L,R		Carbon chip 68 kohm 1/10W	C200068360200
D137	963 0020 309	Diode 1SS133T	K000013300520	R710L,R-716L,R	963 9003 071	Carbon chip 2.7 Mohm 1/10W	C200027560200
D138	960 0117 608	Diode 1N4004A	K040400400520	R717L,R		Carbon chip 150 kohm 1/10W	C200015460200
D141-146	960 0117 608	Diode 1N4004A	K040400400520	R718L,R		Carbon chip 47 ohm 1/10W	C200047060200
D148	963 0020 309	Diode 1SS133T	K000013300520	R719L,R		Carbon chip 240 ohm 1/10W	C200024160200
D149,150	960 0117 608	Diode 1N4004A	K040400400520	R720L,R		Carbon chip 130 kohm 1/10W	C200013060200
D151	963 0020 309	Diode 1SS133T	K000013300520	R721L,R		Carbon chip 1 Mohm 1/10W	C200011360200
D152,153	960 0117 608	Diode 1N4004A	K040400400520	R722L,R		Carbon chip 100 ohm 1/10W	C200010160200
D154	963 0047 405	Zener diode MTZJ7.5B	K06007R544520	R725L,R			
D157	960 0014 905	Zener diode MTZJ20B	K06020R044520 for E3,EU,E1,E1H,E1T	R726L,R		Carbon chip 100 kohm 1/10W	C200010460200
D158-160	963 0020 309	Diode 1SS133T	K000013300520	R728L,R		Carbon chip 39 kohm 1/10W	C200039360200
D25,252	960 0197 000	Diode KDS160	K005016000010	R729L,R		Carbon chip 100 ohm 1/10W	C200010160200
D263,254	960 0197 000	Diode KDS160	K005016000010	R730L,R		Carbon chip 100 kohm 1/10W	C200010460200
D255,256	960 0197 000	Diode KDS160	K005016000010	R731L,R		Carbon chip 39 kohm 1/10W	C200039360200
RESISTORS GROUP				R732L,R		Carbon chip 22 ohm 1/10W	C200022060200
R104C,FL,FR,SL,SR	244 2052 957	Metal oxide 5.6kohm 1W	RS1483A562JNBST(S)	R737L,R			
R105C,FL,FR,SL,SR				R751L,R		Carbon chip 100 kohm 1/10W	C200010460200
R106C,FL,FR,SL,SR	963 0047 900	Metal film 4.7 ohm 1W	C0604R7065050				

Ref. No.	Part No.	Part Name	Remarks	Ref. No.	Part No.	Part Name	Remarks
VR101-105	960 0091 601	Semi fixed resistor 1 kohm	C544102015130	C713L,R		Mylar film 0.0068μF/100V	D02068206C060
CAPACITORS GROUP				C714L,R		Electrolytic 4.7μF/50V	D0404R7087250
C101C,FL,FR,SL,SR		Electrolytic 47μF/50V	D040470087060	C715L,R		Ceramic chip 0.022μF/50V	D011223777200
C102C,FL,FR,SL,SR		Electrolytic 10μF/50V	D040100087050	C716L,R		Electrolytic 10μF/35V	D040100085100
C103C,FL,FR,SL,SR	963 9003 084	Ceramic 100pF/500V	D00410106D050	C718L,R		Electrolytic 10μF/35V	D040100085100
C104C,FL,FR,SL,SR				C719L,R		Electrolytic 1μF/50V	D040010087080
C105C,FL,FR,SL,SR	960 9003 108	Ceramic 0.022μF/25V	D005223594520	C720L,R	963 9003 152	Mylar film 0.068μF/100V	D02068306C060
C107C,FL,FR,SL,SR		Mylar film 0.1μF/250V	D02010407H080	C721L,R			
C131-135		Mylar film 0.1μF/250V	D02010407H080	C723L,R		Electrolytic 10μF/35V	D040100085100
C136,137	960 0177 305	Electrolytic 1000μF/63V	D040103088380	C724L,724R,C725,726		Ceramic chip 0.01μF/50V	D011103777200
C138		Electrolytic 1μF/50V	D040010087080	C727,728		Electrolytic 4.7μF/50V	D0404R7087250
C141-143	963 0021 900	Mylar film 0.047μF/100V	D02047306C060	JR251		Ceramic chip 0.01μF/50V	D011103777200
C144		Electrolytic 3300μF/10V	D040332085010	OTHER PARTS GROUP			
C145	963 9003 123	Electrolytic 1000μF/35V	D040102085040	CN701	963 0046 707	16P connector base	L101352371610
C146		Electrolytic 1μF/50V	D040010087080	CN702	963 0046 600	11P connector base	L101352371110
C148		Electrolytic 1μF/50V	D040010087080	CP101	960 0197 505	2P connector base	L108202000220
C150-152	963 0021 900	Mylar film 0.047μF/100V	D02047306C060	CP102	960 0123 304	2P connector base	L104353280200
C153	963 0021 104	Electrolytic 6800μF/16V	D040682083000	CP103	960 0128 901	3P connector base	L104353280300
C154		Electrolytic 47μF/16V	D040470083100	CP104	960 0128 804	6P connector base	L102526700600
C157		Electrolytic 1μF/50V	D040010087080	CP105	960 0123 304	2P connector base	L104353280200
C158	963 9003 136	Electrolytic 1000μF/25V	D040102084060	CP106	960 0123 207	3P connector base	L102526700300
C159		Electrolytic 1μF/50V	D040010087080	CP501	963 0046 901	9P connector base	L101353360910
C161		Electrolytic 10μF/35V	D040100085050	CP502-504	963 0048 608	5P connector base	L101353360510
C171	963 0020 202	Electrolytic 100μF/10V	D040101082060	CP505	963 0048 705	6P connector base	L101353360610
C171A,B,C		Ceramic 0.1μF/50V	D005104597530	CP553	963 0048 802	20P connector base	L101353362010
C172,173		Electrolytic 220μF/6.3V	D040221081230	CP901	963 0048 909	3P connector base	L101220030000
C174		Electrolytic 10μF/50V	D040100087050	CP931	960 0123 304	2P connector base	L104353280200
C175		Electrolytic 4.7μF/50V	D0404R7087100	Δ F101	960 0188 705	Fuse 8A	G650802121080 for E3,EU
C176,177		Electrolytic 1μF/50V	D040010087080	Δ F101	960 0142 806	Fuse 2.5A	G650252251180 for E2
C178	963 9003 149	Electrolytic 330μF/63V	D040331088230	Δ F101L,R	960 0005 804	Fuse clip	G645000050010 for E3,E1,E2,E1C
Δ C181	960 0177 208	Ceramic 0.01μF/250V (AS)	D000177208000	Δ F102	960 0188 705	Fuse 8A	G650802121080 for E3,EU
C182		Electrolytic 10μF/100V	D04010008C050	Δ F102	963 0044 709	Fuse 3,15A	G650312251180 for E2,E1C
C191-197		Ceramic 2200pF/16V	D005222773530 for E2	Δ F102L,102R	960 0005 804	Fuse clip	G645000050010
C198C,FL,FR,SL,SR,C199FL,FR	963 9003 194	Mylar film 0.0022μF/100V	D02022206C060 for E2	GND101,102	960 9006 800	Terminal	3790040876010
C251,252		Ceramic chip 0.01μF/50V	D011103777200	JK101	960 0194 304	8P speaker terminal	G598041680020
C701L,R		Ceramic chip 220pF/50V	D010221167200	JK102	960 0188 608	4P speaker terminal	G612041037310
C709L,R		Electrolytic 10μF/35V	D040100085100				
C710L,R		Ceramic chip 100pF/50V	D010101167200				
C711L,R		Electrolytic 220μF/6.3V	D040221081050				
C712L,R		Mylar film 0.024μF/50V	D020243167050				

PROCESSOR P.W.B. UNIT

Ref. No.	Part No.	Part Name	Remarks	QTY
JK103	960 0194 809	2P speaker terminal	G611021078110	1
Δ JK104	960 0187 803	AC outlet(2P)	G435204004010 for E3,EU	1
L101C,FL, FR,SL,SR	963 0049 005	Inductor 0.5μH	D330R50000000	5
L701L,R	235 9003 002	FTZ CHOKE COIL	D300700000030 for E2	2
LABEL	963 0059 914	FUSE LABEL(2A)	5527200040010 for E1C	1
RLY101-104	960 0181 702	Relay (G5PA-28 24V)	G680240502020	4
RLY105	960 0176 500	Relay (G5V-2 24V)	G680240501010	1
RLY106	960 0181 605	Relay (G5PA-1-8 12V)	G680120502010	1
TP101-105	960 0161 405	3P connector base	L101530140310	5
—	—	Heat sink	2120043538050	1
—	—	Heat sink	2120044308010	1
—	—	Capacitor cover	4310002640010 for E2,E1,E1C, E1H,E1T	1
Δ	960 0185 708	Power trans. (Mini)	8201280000010 for E3,EU	1
Δ	960 0185 711	Power trans. (Mini)	8201280000010 for E2	1
Δ	960 0185 737	Power trans. (Mini)	8200350150000 for E1,E1H,E1T	1
Δ	960 0185 724	Power trans. (Mini)	8200280000010 for E1C	1
—	963 0018 007	Screw (2S 3x8 ZNY/BH)	B020030061810	3
—	960 0188 103	2P pin jack	G601020180000	1
—	960 0188 200	4P pin jack	G602040610000	2
—	960 0188 307	6P pin jack	G603060610010	1
—	—	Wire clamp	4330000120000	2

Ref. No.	Part No.	Part Name	Remarks
SEMICONDUCTORS GROUP			
IC201	963 0057 408	IC CXP740096-124Q	J020740096124
IC202	963 0057 602	IC TDA7330BD	J080733000010 for E2
IC203	960 0080 201	IC KIC9164AN	J040916400020
IC204	963 0043 603	IC KIC9482F	J084948200010
IC205-210	960 0174 502	IC NJM2068DD	J121206800000
IC301	960 0180 004	IC LC75721E	J127757210010
IC302	960 0195 400	IC PC74HC4094	J040744094020
RMC301	960 0181 100	IC NJL64H380A	E940643800000
Q201	269 0054 901	Transistor DTC144EK	J5220144E0210
Q202	963 0045 902	Transistor 2SC2412KT	J5222412K0210
Q203,204	960 0196 807	Transistor 2SK117Y	J5441170Y0050
Q205	269 0093 904	Transistor DTA144ES	J6000144E0010
Q206	269 0040 902	Transistor DTC144ES	J6020144E0010
Q207,208	960 0196 807	Transistor 2SK117Y	J5441170Y0050
Q209	269 0093 904	Transistor DTA144ES	J6000144E0010
Q210	269 0040 902	Transistor DTC144ES	J6020144E0010
Q211-213	960 0196 807	Transistor 2SK117Y	J5441170Y0050
Q214	269 0046 906	Transistor DTA144ES	J6000114E0010
Q215	269 0020 906	Transistor DTC144ES	J6020114E0010
Q216	269 0046 906	Transistor DTA144ES	J6000114E0010
Q300,301	269 0055 900	Transistor DTA144EK	J5200144E0210
Q302,304	269 0054 901	Transistor DTC144EK	J5220144E0210
Q305	269 0055 900	Transistor DTA144EK	J5200144E0210
Q306-314	269 0082 902	Transistor DTC144EK	J5220114E0210
D201	960 0197 000	Diode KDS160	K005016000010
D202	960 0117 608	Diode 1N4004A	K040400400520
D203	963 0020 309	Diode 1SS133T	K000013300520
D204,205	960 0197 000	Diode KDS160	K005016000010
D206	960 0197 000	Diode KDS160	K005016000010 for E2
D207	960 0197 000	Diode KDS160	K005016000010
D208,209	963 0020 309	Diode 1SS133T	K000013300520
D210-212	960 0197 000	Diode KDS160	K005016000010
D302-304	963 0020 309	Diode 1SS133T	K000013300520
D305-307	960 0197 000	Diode KDS160	K005016000010
ZD201	963 0047 502	Zener diode MTZJ3.3B	K06003R344520
ZD301	960 0095 801	Zener diode MTZJ6.8B	K06006R844520
ZD302,303	960 0095 704	Zener diode MTZJ6.2B	K06006R244520
ZD305,306	960 0095 704	Zener diode MTZJ6.2B	K06006R244520
LED301-307	960 0197 204	LED P15-RD/HL50RDRF4T	K500052015010
LED308,309	960 0189 209	LED P13-RD/HL-30RDRF3	K500032002080

Ref. No.	Part No.	Part Name	Remarks
RESISTORS GROUP			
R202		Carbon chip 1 kohm 1/10W	C200010260200
R204		Carbon chip 4.7 kohm 1/10W	C200047260200
R205		Carbon chip 10 kohm 1/10W	C200010360200
R206		Carbon chip 220 kohm 1/10W	C200022460200
R207		Carbon chip 10 kohm 1/10W	C200010360200
R209		Carbon chip 10 kohm 1/10W	C200010360200
R210FL,FR		Carbon chip 4.3 kohm 1/10W	C200043260200
R211		Carbon chip 10 kohm 1/10W	C200010360200
R212		Carbon chip 1 kohm 1/10W	C200010260200
R213FR,		Carbon chip 15 kohm 1/10W	C200015360200
R214FL,FR			
R215FL,FR		Carbon chip 100 ohm 1/10W	C200010160200
R216		Carbon chip 10 kohm 1/10W for E3,EU,E2	C200010360200
R216FL,FR		Carbon chip 100 kohm 1/10W	C200010460200
R217		Carbon chip 15 kohm 1/10W for E3,EU,E1,E1C,E1H,E1T	C200015360200
R217FL,FR		Carbon chip 6.2 kohm 1/10W	C200062260200
R218		Carbon chip 18 kohm 1/10W for E2	C200018360200
R218		Carbon chip 10 kohm 1/10W for E1,E1C,E1H,E1T	C200010360200
R220SW		Carbon chip 8.2 kohm 1/10W	C200082260200
R221SW		Carbon chip 3.6 kohm 1/10W	C200036260200
R222SW		Carbon chip 8.2 kohm 1/10W	C200082260200
R223,224		Carbon chip 10 kohm 1/10W	C200010360200 for E2
R223,224		Carbon chip 100 kohm 1/10W for E3,EU,E1,E1C,E1H,E1T	C200010460200
R223SW		Carbon chip 100 ohm 1/10W	C200010160200
R224SW		Carbon chip 100 kohm 1/10W	C200010460200
R225		Carbon chip 2.2 Mohm 1/10W for E2	C200022560200
R229,230	244 2051 961	Metal film 100 ohm 1W	C060010165060
R237		Carbon chip 1 kohm 1/10W	C200010260200
R239C,FL, FR,SL,SR,SW		Carbon chip 100 kohm 1/10W	C200010460200
R240C,FL, FR,SL,SR,SW		Carbon chip 100 ohm 1/10W	C200010160200
R241C,FL, FR,SL,SR,SW		Carbon chip 100 kohm 1/10W	C200010460200
R242C,FL, FR,SL,SR		Carbon chip 7.5 kohm 1/10W	C200075260200
R242SW		Carbon chip 6.8 kohm 1/10W	C200068260200
R243C,FL,FR		Carbon chip 10 kohm 1/10W	C200010360200
R244C,FL, FR,SL,SR		Carbon chip 1.3 kohm 1/10W	C200013260200
R244SW		Carbon chip 620 ohm 1/10W	C200062160200
R246C,SL, SR,SW		Carbon chip 100 kohm 1/10W	C200010460200

Ref. No.	Part No.	Part Name	Remarks
R247C,SL, SR,SW		Carbon chip 470 ohm 1/10W	C200047160200
R250		Carbon chip 470 kohm 1/10W	C200047460200
R255,256		Carbon chip 470 kohm 1/10W	C200047460200
R259		Carbon chip 10 kohm 1/10W	C200010360200
R261		Carbon chip 12 kohm 1/10W	C200012360200
R262		Carbon chip 10 kohm 1/10W	C200010360200
R263,264		Carbon chip 12 kohm 1/10W	C200012360200
R265-271		Carbon chip 470 ohm 1/10W	C200047160200
R273,274	244 2051 961	Metal film 100 ohm 1W	C060010165060
R317		Carbon chip 470 ohm 1/10W	C200047160200
R336		Carbon chip 4.7 kohm 1/10W	C200047260200
R337		Carbon chip 47 kohm 1/10W	C200047360200
R338		Carbon chip 470 ohm 1/10W	C200047160200
R339		Carbon chip 1 Mohm 1/10W	C200012260200
R340-348		Carbon chip 680 ohm 1/10W	C200068160200
R349FL		Carbon chip 56 kohm 1/10W	C200056360200
R350		Carbon chip 470 ohm 1/10W	C200047160200
R350FL- 402FL		Carbon chip 56 kohm 1/10W	C200056360200
R407		Carbon chip 4.7 kohm 1/10W for E2,E1,E1C,E1H,E1T	C200047260200
CAPACITORS GROUP			
BC201	963 0061 504	Electrolytic 8200μF/5.5V	D040822080010
C201		Electrolytic 100μF/10V	D040101082060
C201S		Ceramic 0.01μF/16V	D005103773530
C202,203		Ceramic chip 0.01μF/50V	D011103777200
C204		Electrolytic 4.7μF/50V	D0404R7087100
C205		Ceramic chip 0.1μF/50V	D011104777200 for E3,EU
C206		Electrolytic 47μF/16V	D040470083080 for E2
C207		Ceramic 0.01μF/16V	D005103773530 for E2
C208		Ceramic 270pF/50V	D005271277520 for E2
C209		Electrolytic 10μF/50V	D040100087050 for E2
C210		Ceramic chip 0.01μF/50V	D011103777200 for E2
C211		Ceramic chip 22pF/50V	D010220167200 for E2
C211SW		Ceramic chip 100pF/50V	D010101167200
C212		Ceramic chip 22pF/50V	D010220167200 for E2
C212SW		Ceramic chip 47pF/50V	D010470167200
C213-219		Ceramic chip 0.047μF/50V	D011473777200
C213FL,FR		Ceramic chip 100pF/50V	D010101167200
C218FL,FR		Ceramic chip 33pF/50V	D010330167200

Ref. No.	Part No.	Part Name	Remarks
C219FL,FR		Electrolytic 10µF/35V	D040100085100
SW,C220		Electrolytic 10µF/35V	D040100085100
C221FL,FR		Electrolytic 4.7µF/50V	D0404R7087100
C222SW,			
C223SL,SR			
C225,226		Ceramic chip 0.047µF/50V	D011473777200
C227		Electrolytic 10µF/35V	D040100085100
C228-230		Ceramic chip 100pF/50V	D010101167200
C230C,		Electrolytic 4.7µF/50V	D0404R7087100
C231C,SL,			
SR,SW			
C231-234		Ceramic chip 100pF/50V	D010101167200
C231FL,FR		Electrolytic 10µF/35V	D040100085100
C232C,FL,		Ceramic chip 56pF/50V	D010560167200
FR,SW			
C232SL,SR		Ceramic chip 39pF/50V	D010390167200
C233C,FL,FR		Ceramic chip 2200pF/50V	D011222777200
C234C,FL,FR		Ceramic chip 680pF/50V	D010681167200
C235,235SW		Ceramic chip 100pF/50V	D010101167200
C236		Electrolytic 1µF/50V	D040010087080
C237		Electrolytic 0.1µF/50V	D040R10087070
C238		Electrolytic 1µF/50V	D040010087080
C239		Ceramic chip 0.047µF/50V	D011473777200
C240		Electrolytic 1µF/50V	D040010087080
C241		Electrolytic 10µF/35V	D040100085100
C242		Ceramic chip 1000pF/50V	D010102167200
C243,244		Ceramic chip 0.047µF/50V	D011473777200
C245		Ceramic chip 100pF/50V	D010101167200
C246		Electrolytic 10µF/35V	D040100085100
C246SW		Electrolytic 4.7µF/50V	D0404R7087100
C247		Ceramic chip 100pF/50V	D010101167200
C248		Ceramic chip 1000pF/50V	D010102167200
C249	960 9003 108	Ceramic 0.022µF/25V	D005223594520
C250		Ceramic chip 100pF/50V	D010101167200
C251		Electrolytic 22µF/16V	D040220083070
C301-304		Ceramic chip 0.01µF/50V	D011103777200
C305-308		Ceramic chip 100pF/50V	D010101167200
C309		Ceramic chip 0.022µF/50V	D011223777200
C310		Ceramic chip 100pF/50V	D010101167200
C311		Ceramic chip 30pF/50V	D010300167200
C312		Ceramic chip 0.047µF/50V	D011473777200
C313		Mylar film 0.01µF/100V	D02010306C060
C314	963 0021 900	Mylar film 0.047µF/100V	D02047306C060
C315		Electrolytic 1µF/50V	D040010087080
C316		Electrolytic 10µF/50V	D040100087050
C317		Electrolytic 47µF/10V	D040470082050
C318	963 0021 900	Mylar film 0.047µF/100V	D02047306C060
C319		Electrolytic 10µF/35V	D040100085100
C320		Electrolytic 1µF/50V	D040010087080
C321	963 0021 900	Mylar film 0.047µF/100V	D02047306C060
C322		Electrolytic 33µF/50V	D040330087060

Ref. No.	Part No.	Part Name	Remarks
C323		Mylar film 0.1µF/100V	D02010406C060
C324		Electrolytic 47µF/25V	D040470084070
C325,326		Ceramic chip 100pF/50V	D010101167200
C328		Ceramic chip 0.047µF/50V	D011473777200
OTHER PARTS GROUP			
			Q'ty
CB201,202	963 0053 800	BEADS INDUCTOR	7610035800020 2
CN301A	960 0197 802	17P FFC connector base	L131520441745 1
CN302	960 0197 806	3P connector cord	L000101030040 1
CN301B	960 0197 709	17P FFC connector base	L131520451745 1
CP301	963 0049 102	3P connector cord	L102526603010 1
CP401	960 0116 803	12P connector base	L101353361110 1
CP402	963 0047 104	11P connector base	L101353361120 1
CP551	963 0061 106	19P connector base	L101353361910 1
CP552	963 0049 403	18P connector base	L101353361810 1
CP601	963 0048 705	6P connector base	L101353360610 1
CP701	963 0047 201	16P connector base	L101353361610 1
CP702	963 0047 104	11P connector base	L101353361110 1
CP801	963 0047 201	16P connector base	L101353361610 1
CP802	963 0049 403	18P connector base	L101353361810 1
CP803	963 0048 705	6P connector base	L101353360610 1
CP901	963 0060 806	11P connector base	L101220110000 1
J324-326		Carbon chip 0 ohm 1/8W	C200000061300 3
J355		Carbon chip 0 ohm 1/8W	C200000061300 1
L301	960 0010 307	Inductor 10µH	D330100700520 1
L302	960 0128 008	Inductor 100µH	D330101001020 1
SW301-322	963 0045 708	Tact switch	G180000270010 22
VEC301,302	960 0181 207	Rotary encoder	G121162420400 for E3,EU,E2,E1T for E1,E1C,E1H 2
VEC301,302	212 0422 003	Rotary encoder	G121162420400 for E1,E1C,E1H 2
X201	960 0181 003	Resonator CST12.0MTW-TF01	E830120000050 1
X202	960 0091 805	Crystal 4.332MHz	E8004R3320051 for E2 1
---	960 0184 408	FLT holder	4320200026000 1
---	960 0180 509	FLT (16-ST-42GNK)	K530164200010 1
---	---	Earth wire	L046221014580 1

CNT P.W.B. UNIT

Ref. No.	Part No.	Part Name	Remarks
SEMICONDUCTORS GROUP			
IC401	963 0043 700	IC LC72131	J120721310030
IC402	963 0043 904	IC LA1266	J124126600010
IC403	963 0044 000	IC LA3401	J124340100010
IC551	960 0174 502	IC NJM2068DD	J121206800000
IC552	963 0043 506	IC TC918AAP	J080918400010
IC601	960 0175 200	IC BA7825	J171762500000
IC602	960 0195 400	IC PC74HC4094	J040744094020
IC651,652	960 0175 200	IC BA7825	J171762500000
IC653	963 0057 806	IC KIA78R05PI	J126780500370
Q401	960 0189 102	Transistor KTC3880S-O	J522388000210
Q402-404	269 0083 901	Transistor DTA114EK	J5200114E0210
Q405,406	960 0196 603	Transistor KTC2874B	J502287400010
Q407	963 0024 208	Transistor DTC114YK	J5220114Y0210
Q408	269 0083 901	Transistor DTA114EK	J5200114E0210
Q409	960 0189 102	Transistor KTC3880S-O	J522388000210 for E2
Q551	960 0196 700	Transistor KTC3200BL	J502320080050
Q551SW, 552SW	960 0196 603	Transistor KTC2874B	J502287400010
Q552	960 0196 302	Transistor KTA1268BL	J500126880050
Q553-555	269 0046 906	Transistor DTA114ES	J6000114E0010
Q553T	960 0196 904	Transistor DTC114YS (NPN)	J6020114Y0050
Q601-603	960 0005 105	Transistor KTA1266Y	J5001266Y0050
Q651-656	960 0005 105	Transistor KTA1266Y	J5001266Y0050
D403	960 0197 000	Diode KDS160	K005016000010
D404	963 0020 309	Diode 1SS133T	K000013300520
D405,406	960 0197 000	Diode KDS160	K005016000010
D551,551T, 552	963 0020 309	Diode 1SS133T	K000013300520
D552T	963 0058 601	Zener diode MTZJ12B	K06012R044520
D553-561	963 0020 309	Diode 1SS133T	K000013300520
D562	960 0117 608	Diode 1N4004A	K040400400520
D564	960 0095 607	Zener diode MTZJ5.6B	K06005R644520
D565	963 0020 309	Diode 1SS133T	K000013300520
D601-606	960 0197 000	Diode KDS160	K005016000010
D651-656	960 0197 000	Diode KDS160	K005016000010
D652T	963 0061 601	Electrolytic 3300µF/10V	D040332082020
D657,658	960 0117 608	Diode 1N4004A	K040400400520
D901,902	960 0197 000	Diode KDS160	K005016000010
ZD401	960 0095 500	Zener diode MTZJ5.1B	K06005R144520

Ref. No.	Part No.	Part Name	Remarks
RESISTORS GROUP			
R401		Carbon chip 10 ohm 1/10W	C200010060200
R403		Carbon chip 470 ohm 1/10W	C200047160200
R404		Carbon chip 100 kohm 1/10W	C200010460200
R405	960 9003 807	Metal film 100 ohm 1/4W	C060010163050
R406		Carbon chip 4.7 kohm 1/10W	C200047260200
R407		Carbon chip 470 ohm 1/10W	C200047160200
R408		Carbon chip 1 Mohm 1/10W	C200012620200 for E3,EU,E1,E1C,E1H,E1T for E2
R408		Carbon chip 680 ohm 1/10W	C200068160200
R409		Carbon chip 470 ohm 1/10W	C200047160200
R411		Carbon chip 68 kohm 1/10W	C200068360200
R412		Carbon chip 5.6 kohm 1/10W	C200056260200
R413		Metal film 220 ohm 1/4W	C060022163050
R414		Carbon chip 2.2 kohm 1/10W	C200022260200
R415		Carbon chip 1 kohm 1/10W	C200010260200
R416		Metal film 680 ohm 1/4W	C060068163050
R417		Carbon chip 1 kohm 1/10W	C200010260200
R418		Carbon chip 33 kohm 1/10W	C200033360200
R420		Carbon chip 3.3 kohm 1/10W	C200033260200
R423		Carbon chip 22 kohm 1/10W	C200022360200
R424		Carbon chip 4.7 kohm 1/10W	C200047260200
R425,427		Carbon chip 10 kohm 1/10W	C200010360200
R428		Carbon chip 3.3 kohm 1/10W	C200033260200
R429		Carbon chip 82 ohm 1/10W	C200082060200
R430	960 9003 807	Metal film 100 ohm 1/4W	C060010163050
R431		Carbon chip 5.1 kohm 1/10W	C200051260200
R432		Carbon chip 10 kohm 1/10W	C200010360200
R434	960 9003 807	Metal film 100 ohm 1/4W	C060010163050
R435		Carbon chip 3.3 kohm 1/10W	C200033260200
R437		Carbon chip 100 kohm 1/10W	C200010460200
R438,439		Carbon chip 100 kohm 1/10W	C200010460200 for E3,EU,E1,E1C,E1H,E1T for E2
R438,439		Carbon chip 180 kohm 1/10W	C200018460200 for E2
R440,441		Carbon chip 120 kohm 1/10W	C200012460200 for E3,EU,E1,E1C,E1H,E1T for E2
R440,441		Carbon chip 220 kohm 1/10W	C200022460200 for E2
R442,443		Carbon chip 3.3 kohm 1/10W	C200033260200
R444,445		Carbon chip 8.2 kohm 1/10W	C200082260200 for E3,EU,E1,E1C,E1H,E1T for E2
R448		Carbon chip 2.2 kohm 1/10W	C200022260200
R449		Carbon chip 3.9 kohm 1/10W	C200039260200 for E2
R450		Carbon chip 1 kohm 1/10W	C200010260200 for E2
R455		Carbon chip 330 ohm 1/10W	C200033160200
R456		Carbon chip 100 ohm 1/10W	C200010160200
R458,459		Carbon chip 4.7 kohm 1/10W	C200047260200
R460,461	963 9003 071	Carbon chip 2.7 Mohm 1/10W	C200027560200

Ref. No.	Part No.	Part Name	Remarks
R462-465		Carbon chip 470 ohm 1/10W	C200047160200
R467,468	963 9003 071	Carbon chip 2.7 Mohm 1/10W	C200027560200
R470		Carbon chip 1 kohm 1/10W	C200010260200
R471VT		Carbon chip 220 ohm 1/10W	C200022160200
R472		Carbon chip 100 ohm 1/10W	C200010160200
R473		Carbon chip 180 ohm 1/10W	C200018160200
R473		Carbon chip 0 ohm 1/10W	C20000060200 for E2 for E3,EU,E1,E1C,E1H,E1T
R475		Carbon chip 12 kohm 1/10W	C200012360200
R476		Carbon chip 56 kohm 1/10W	C200056360200
R478		Carbon chip 10 kohm 1/10W	C200010360200
R479		Carbon chip 100 kohm 1/10W	C200010460200
R551SW, 552SW		Carbon chip 470 ohm 1/10W	C200047160200
R553FL_FR		Carbon chip 100 kohm 1/10W	C200010460200
R553SW		Carbon chip 22 kohm 1/10W	C200022360200
R553T		Carbon chip 1 kohm 1/10W	C200010260200
R554SW		Carbon chip 10 kohm 1/10W	C200010360200
R554T	244 2052 928	Metal film 47 ohm 1W	C060047065060
R558FL_FR		Carbon chip 4.7 kohm 1/10W	C200047260200
R559	960 9005 902	Metal film 1.2 kohm 1/4W	C060012263050
R559FL_FR		Carbon chip 22 kohm 1/10W	C200022360200
R560FL_FR		Carbon chip 510 kohm 1/10W	C200051460200
R561FL_FR		Carbon chip 33 kohm 1/10W	C20003360200
R563FL_FR		Carbon chip 390 ohm 1/10W	C200039160200
R564FL_FR		Carbon chip 470 ohm 1/10W	C200047160200
R565	960 9005 902	Metal film 1.2 kohm 1/4W	C060012263050
R567FL_FR		Carbon chip 470 kohm 1/10W	C200047460200
R568		Carbon chip 68 ohm 1/10W	C200068060200
R570	960 9005 902	Metal film 1.2 kohm 1/4W	C060012263050
R651-658		Carbon chip 75 ohm 1/10W	C200075060200
R651T,652T	963 9003 039	Metal film 1 ohm 1/4W	C060001063050
R660		Carbon chip 10 kohm 1/10W	C200010360200
R661	244 2051 961	Metal film 100 ohm 1W	C060010165060
R662		Carbon chip 68 ohm 1/10W	C200068060200
R663		Carbon chip 10 kohm 1/10W	C200010360200
R664	244 2051 961	Metal film 100 ohm 1W	C060010165060
R665		Carbon chip 68 ohm 1/10W	C200068060200
R666		Carbon chip 10 kohm 1/10W	C200010360200
R667	244 2051 961	Metal film 100 ohm 1W	C060010165060
R671		Carbon chip 68 ohm 1/10W	C200068060200
R672		Carbon chip 10 kohm 1/10W	C200010360200
R673	244 2051 961	Metal film 100 ohm 1W	C060010165060
R674		Carbon chip 68 ohm 1/10W	C200068060200
R675		Carbon chip 10 kohm 1/10W	C200010360200
R676	244 2051 961	Metal film 100 ohm 1W	C060010165060
R677		Carbon chip 68 ohm 1/10W	C200068060200
R678		Carbon chip 10 kohm 1/10W	C200010360200
R679	244 2051 961	Metal film 100 ohm 1W	C060010165060

Ref. No.	Part No.	Part Name	Remarks
R683		Carbon chip 75 ohm 1/10W	C200075060200
R901,902		Carbon chip 200 kohm 1/10W	C200020460200
R903,904		Carbon chip 100 ohm 1/10W	C200010160200
R903H,904H		Metal film 470ohm 2W	C060047166520
R905,906		Carbon chip 200 kohm 1/10W	C200020460200
R907,908		Carbon chip 100 ohm 1/10W	C200010160200
R909,910		Carbon chip 200 kohm 1/10W	C200020460200
R911,912		Carbon chip 100 ohm 1/10W	C200010160200
R913-916		Carbon chip 220 ohm 1/10W	C200022160200
R917-920		Carbon chip 100 kohm 1/10W	C200010460200
VR401	960 0096 305	Semi fixed resistor 10kohm	C541103115000
VR402	960 0096 402	Semi fixed resistor 100kohm	C541104115000 for E2
VR402	963 0056 205	Semi fixed resistor 50kohm	C541503115000 for E3,EU,E1,E1C,E1H,E1T
VR403	963 0052 005	Semi fixed resistor 200kohm	C541204115000

CAPACITORS GROUP			
Ref. No.	Part No.	Part Name	Remarks
C401,402		Ceramic chip 1000pF/50V	D011102777200
C403		Ceramic chip 0.022µF/50V	D011223777200
C404		Ceramic 2pF/50V	D000020007050
C405		Ceramic chip 0.022µF/50V	D011223777200
C406		Ceramic chip 18pF/50V	D010180167200
C408		Ceramic 6pF/50V	D000060007050
C409		Ceramic 100pF/50V	D005101177520
C410		Ceramic 470pF/50V	D00547127520
C411		Ceramic chip 1000pF/50V	D011102777200
C412		Ceramic chip 0.022µF/50V	D011223777200
C413		Ceramic chip 100pF/50V	D010101167200
C414		Electrolytic 2.2µF/50V	D0402R2067100
C415		Electrolytic 47µF/25V	D040470084070
C416		Electrolytic 10µF/35V	D040100085100
C417		Electrolytic 100µF/16V	D040101083100
C418		Ceramic chip 0.01µF/50V	D011103777200
C419		Electrolytic 10µF/35V	D040100085100
C420,421		Ceramic chip 22pF/50V	D010220167200
C422		Ceramic chip 470pF/50V	D010471167200
C423,424		Ceramic chip 0.022µF/50V	D011223777200
C425		Electrolytic 4.7µF/50V	D0404R7087100
C426		Electrolytic 3.3µF/50V	D0403R3087100
C427		Electrolytic 4.7µF/50V	D0404R7087100
C428		Ceramic chip 0.022µF/50V	D011223777200
C430	963 0021 900	Mylar film 0.047µF/100V	D02047306C060
C431		Ceramic chip 33pF/50V	D010330167200
C432		Electrolytic 47µF/25V	D040470084070
C433		Ceramic chip 0.022µF/50V	D011223777200
C434		Electrolytic 1µF/50V	D040010087080 for E3,EU D040R33087100 for E2,E1,E1C,E1H,E1T

Ref. No.	Part No.	Part Name	Remarks
C435,436		Ceramic chip 0.022µF/50V	D011223777200
C437		Electrolytic 47µF/25V	D040470084070
C438		Electrolytic 1µF/50V	D040010087080
C439		Electrolytic 0.22µF/50V	D040R22087100
C440,441		Electrolytic 1µF/50V	D040010087080
C442		Electrolytic 2.2µF/50V	D0402R2087100
C443		Electrolytic 10µF/35V	D040100085100
C444		Electrolytic 4.7µF/50V	D0404R7087100
C445		Electrolytic 10µF/35V	D040100085100
C446,447		Ceramic 270pF/50V	D004271067060 for E3,EU,E2
C446,447		Ceramic 180pF/50V	D000181067060 for E1,E1C,E1H,E1T
C448,449		Ceramic 470pF/50V	D004471067060 for E3,EU
C448,449		Ceramic 330pF/50V	D000331167070 for E1,E1C,E1H,E1T
C450,451		Electrolytic 10µF/35V	D040100085100
C452		Electrolytic 100µF/16V	D040101083100
C453		Ceramic chip 27pF/50V	D010270167200 for E2,E1,E1C,E1H,E1T
C455		Ceramic chip 0.022µF/50V	D011223777200 for E1,E1H,E1T
C456		Ceramic chip 680pF/50V	D010681167200
C457-460		Ceramic chip 100pF/50V	D010101167200
C461		Ceramic chip 22pF/50V	D010220167200
C462		Ceramic chip 470pF/50V	D010471167200 for E2
C463		Mylar film 0.056µF/100V	D02056306C060
C464		Ceramic 3pF/50V	D00030007050
C471VT		Electrolytic 1µF/50V	D040010087080
C472VT		Ceramic chip 0.047µF/50V	D01147377200
C551		Electrolytic 2.2µF/50V	D0402R2087250
C551M		Electrolytic 100µF/35V	D040101085100
C551S		Ceramic 0.047µF/50V	D005473597520
C551T,552T		Electrolytic 100µF/16V	D040101083100
C552		Electrolytic 0.1µF/50V	D040R10087070
C552FL_FR		Electrolytic 10µF/35V	D040100085100
C553		Electrolytic 0.1µF/50V	D040R10087070
C553FL_FR		Ceramic chip 100pF/50V	D010101167200
C553T,554T		Ceramic chip 0.1µF/50V	D011104777200
C554		Electrolytic 0.1µF/50V	D040R10087070
C554FL_FR		Electrolytic 10µF/35V	D040100085100
C555		Ceramic 0.01µF/16V	D005103773530
C555FL_FR		Ceramic chip 47pF/50V	D010470167200
C556		Ceramic 0.01µF/16V	D005103773530
C556FL_FR		Electrolytic 10µF/35V	D040100085100
C557		Electrolytic 10µF/35V	D040100085100
C557FL_FR		Mylar film 0.01µF/100V	D02010306C060
C558FL_FR		Mylar film 0.056µF/100V	D02056306C060
C559FL_FR		Mylar film 0.022µF/100V	D02022306C060

Ref. No.	Part No.	Part Name	Remarks	Q'ty
C560FL_FR		Mylar film 0.0033µF/100V	D02033206C060	
C561FL, 562FR		Mylar film 0.0068µF/100V	D02068206C060	
C601-604		Electrolytic 4.7µF/50V	D0404R7087100	
C605		Electrolytic 470µF/6.3V	D040471081060	
C606,607		Electrolytic 10µF/16V	D040100083100	
C606,609		Electrolytic 470µF/6.3V	D040471081060	
C610		Electrolytic 10µF/16V	D040100083100	
C611		Electrolytic 100µF/10V	D040101082060	
C612		Electrolytic 100µF/16V	D040101083100	
C613		Electrolytic 1µF/50V	D040010087080	
C614		Ceramic chip 0.047µF/50V	D01147377200	
C651-658	963 0021 900	Electrolytic 4.7µF/50V	D0404R7087100	
C651T		Mylar film 0.047µF/100V	D02047306C060	
C653T		Electrolytic 1µF/50V	D040010087080	
C659		Electrolytic 470µF/6.3V	D040471081060	
C660		Electrolytic 10µF/16V	D040100083100	
C661		Electrolytic 470µF/6.3V	D040471081060	
C662		Electrolytic 10µF/16V	D040100083100	
C663		Electrolytic 470µF/6.3V	D040471081060	
C664		Electrolytic 1µF/50V	D040100083100	
C665		Electrolytic 100µF/10V	D040101082060	
C666		Electrolytic 470µF/6.3V	D040471081060	
C667		Electrolytic 10µF/16V	D040100083100	
C668		Electrolytic 470µF/6.3V	D040471081060	
C669		Electrolytic 10µF/16V	D040100083100	
C670		Electrolytic 470µF/6.3V	D040471081060	
C671		Electrolytic 10µF/16V	D040100083100	
C672		Electrolytic 100µF/10V	D040101082060	
C673,674		Electrolytic 1µF/50V	D040010087080	
C675		Electrolytic 100µF/16V	D040101083100	
C676,677		Ceramic chip 0.047µF/50V	D01147377200	
C681-683		Ceramic 100pF/50V	D005101177520	
C901-906		Ceramic chip 220pF/50V	D010221167200	
C901H,902H		Ceramic 0.001µF/50V	D005102177530	
C903H		Electrolytic 1µF/50V	D040010087080	
C904H	960 9003 108	Ceramic 0.022µF/25V	D005223594520	
C907-910		Ceramic chip 100pF/50V	D010101167200	
C911		Ceramic 0.01µF/50V	D004103087060	
OTHER PARTS GROUP				Q'ty
CF401,402	960 0187 104	Ceramic filter SFE10.7MA8	E430107000140 for E3,EU	2
CF401,402	960 0177 509	Ceramic filter SFE10.7MS3GH	E430107000150 for E2,E1,E1C, E1H,E1T	2
CF403	960 0187 609	Ceramic resonator	E830450000070	1
CN105	963 0059 105	2P connector base	L000121020040 for E2	1

Ref. No.	Part No.	Part Name	Remarks	Q'ty	Ref. No.	Part No.	Part Name	Remarks	Q'ty
CN392	960 0198 009	2P connector cord	L000800020040 for E3,EU	1	J654		Carbon chip 0 ohm 1/10W	C20000060200 for E2,E1,E1C, E1H,E1T	1
CN401	960 0117 103	12P connector base	L101352371210	1	J655		Carbon chip 0 ohm 1/8W	C200000061300 for E2,E1,E1C, E1H,E1T	1
CN401E	963 0059 008	7P connector socket	L000101080050	1	L401	963 0052 102	Inductor 1μH	D3301R0001020	1
CN402	963 0046 600	11P connector base	L101352371110	1	L402	960 0010 307	Inductor 10μH	D330100700520	1
CN551	963 0061 009	19P connector base	L101352371910	1	L403	963 0056 409	MW IF COIL RBW07VB-K5025 BLK	D9505005000010	1
CN552	963 0050 609	18P connector base	L101352371810	1	RELAY551	963 0052 607	Relay (GSV-2 DC12V)	G680120202010	1
CN553	963 0049 801	20P connector base	L101352372010	1	SW391-396	963 0045 708	Tact switch	G180000270010	8
CN554	963 0059 804	15P connector cord	L000800150010	1	SW401	963 0056 700	SLIDE SW	G060110100010 for E1,E1H,E1T	1
CN601	963 0050 308	6P connector socket	L101352370610	1	SW901	963 0056 603	Push switch	G0000400890000 for E2,E1,E1C, E1H,E1T	1
CN602	963 0059 503	7P connector cord	L000181070020 for E3,EU	1	T401	960 0186 600	MW IF COIL PCFMAF-270	D950500200000	1
CN602	963 0059 406	7P connector cord	L000181070010 for E2,E1,E1C, E1H,E1T	1	T402	960 0007 349	FM DET TRANS	D951561100000	1
CN901	960 0197 301	3P connector cord	L352103263300	1	T403	960 0007 352	FM DET TRANS	D951561200000	1
CN902	963 0059 600	11P connector cord	L000261110010	1	T404,405	960 0071 207	MPX filter for E2	E401500100000 for E2	2
CP302	963 0049 908	3P connector base	L101220030010	1	T406	960 0037 607	antibirdie filter	E403126832410 for E2	1
CP392	963 0048 909	3P connector base	L101220030000 for E3,EU	1	X401	960 0187 405	Crystal 7.2 MHz	E8007R2000071	1
CP392	963 0059 707	2P connector base	L000351020040 for E2,E1,E1C, E1H,E1T	1	X402	963 0043 302	Resonator CSB456F11	E830456000050	1
CP602	963 0060 602	7P connector base	L101220070010	1		960 0184 000	Screw bracket	4010210196000	2
CP603	960 0123 207	3P connector base	L102526700300	1		963 0054 003	Shield tuner pack	3070210056000	1
FE401	960 0187 706	Front end	E900401010020	1		960 0184 602	Plate	4470210146000	1
G901	—	1P wire	8410800010010	1		—	1P wire	8410800010030	1
H/SINK	—	Heat sink	2120210238000 for E2,E1,E1C, E1H,E1T	1		963 0052 403	3P antenna terminal	G593021069010	1
J402		Carbon chip 0 ohm 1/8W	C200000061300 for EU,E2,E1, E1C,E1H,E1T	1		960 0188 200	4P pin jack	G602040610000	1
J403,404		Carbon chip 0 ohm 1/8W	C200000061300 for E3	2		963 0061 708	Plate	4470210196000	1
J405-408		Carbon chip 0 ohm 1/8W	C200000061300 for E2,E1,E1C, E1H,E1T	4		963 0057 000	1P pin jack	G600010003030	1
J551-556		Carbon chip 0 ohm 1/8W	C200000061300 for E3,EU	6		960 0188 404	3P pin jack	G606030164020	2
J583,584		Carbon chip 0 ohm 1/8W	C200000061300	2		963 0018 007	Screw (2S 3x8 ZNY/BH)	B020030081810 for E2,E1,E1C, E1H,E1T	1
J585,586		Carbon chip 0 ohm 1/10W	C200000060200	2		960 0181 304	3P S terminal	G402042190000	1
J587		Carbon chip 0 ohm 1/8W	C200000061300 for E1,E1C,E1H,E1T	1		960 0181 401	4P S terminal	G403040010010	2
J651-653		Carbon chip 0 ohm 1/8W	C200000061300 for E2,E1,E1C, E1H,E1T	3		960 0188 307	6P pin jack	G6030606100010	1
						960 0143 203	AC outlet	G435040110000 for E2,E1,E1H,E1T	1
						960 0176 209	Push switch	G000122000010 for E3,EU	1
						960 0187 502	Head phone jack(D6.5)	G4020384000031	1
						960 0188 200	4P pin jack	G602040610000	1

PRE-AMP P.W.B. UNIT

DSP P.W.B. UNIT

Ref. No.	Part No.	Part Name	Remarks	Ref. No.	Part No.	Part Name	Remarks
SEMICONDUCTORS GROUP				SEMICONDUCTORS GROUP			
Q501C,FL	960 0196 603	Transistor KTC2874B	J502287400010	IC803	963 0023 500	IC MC74HC04AD	J040740400200
FR,SL,SR				IC805,806	963 0043 807	IC BA4510F	J121451000010
Q501SR,				IC807	960 0195 002	IC W27C020	J000270200010
Q502M,503M				IC807S	963 0025 508	32P IC socket	G450320000010
Q502C,FL	960 0196 205	Transistor KSA992F	J5000992F0050	IC808,809	960 0179 206	IC DC74HCT574	J040745740040
FR,SL,SR				IC810	960 0195 507	IC LC89055W	J046890550010
Q503C,FL				IC811	960 0195 905	IC BA033FP	J12603R300020
FR,SL,SR				IC812	960 0195 701	IC CS492604	J080492604010
Q504C,FL	960 0196 506	Transistor KSC1845F	J5021845F0000	IC813	960 0195 604	IC AK4527VQ	J080452700010
FR,SL,SR				IC814-816	960 0174 502	IC NJM2068DD	J121206800020
RESISTORS GROUP				RESISTORS GROUP			
Q509C,FL	960 9005 902	Metal film 1.2 kohm 1/4W	C060012263050	IC821	960 0195 206	IC TC74HC125D	J040741250130
FR,SL,SR				IC822	960 0195 109	IC SN74LV00APW	J040740000170
Q511C,FL	960 9004 301	Metal film 47 ohm 1/4W	C060047063050	IC828	963 0043 409	IC DC74HCT244	J040742440080
FR,SL,SR				IC829	960 0196 001	IC NJM7805FA (S)	J126780500130
CAPACITORS GROUP				CAPACITORS GROUP			
C501C,FL		Electrolytic 22μF/16V	D040220083070	IC830	963 0043 409	IC DC74HCT244	J040742440080
FR,SL,SR				IC831	960 0195 303	IC SN74LV4040	J040744040020
C501M,502C,		Electrolytic 10μF/35V	D040100085100	Q804C,FL	960 0196 603	Transistor KTC2874B	J502287400010
FL,FR,SL,SR				FR,SL,SR,SW			
C503C,FL	963 9003 165	Ceramic 220pF/500V	D009092212500	Q805	269 0083 901	Transistor DTA114EK	J5200114E0210
FR,SL,SR				Q806	269 0082 902	Transistor DTC114EK	J5200114E0210
C504C,FL	963 9003 178	Ceramic 220pF/50V	D005221277520	Q807	269 0083 901	Transistor DTA114EK	J5200114E0210
FR,SL,SR				D801,	960 0197 000	Diode KDS160	K005016000010
C505C,FL	963 9003 181	Ceramic 33pF/500V	D00033006D050	805-807			
FR,SL,SR				RESISTORS GROUP			
C506C,FL		Electrolytic 100μF/10V	D040101082060	J824,828		Carbon chip 0 ohm 1/10W	C200000060200
FR,SL,SR				R801		Carbon chip 4.7 kohm 1/10W	C200047260200
C507C,FL	963 9003 194	Mylar film 0.0022μF/100V	D02022206C060	R817-825		Carbon chip 10 kohm 1/10W	C200010360200
FR,SL,SR				R829		Carbon chip 0 ohm 1/10W	C200000060200
C514FL,FR		Electrolytic 10μF/35V	D040100085100	R830,831		Carbon chip 10 kohm 1/10W	C200010360200
OTHER PARTS GROUP				OTHER PARTS GROUP			
CN501	963 0046 406	9P connector base	L101352370910	1	R834,835	Carbon chip 4.7 kohm 1/10W	C200047260200
CN502-504	963 0050 201	5P connector base	L101352370510	3	R836	Carbon chip 10 kohm 1/10W	C200010360200
CN505	963 0050 308	6P connector base	L101352370610	1	R837	Carbon chip 47 ohm 1/10W	C200047060200
CP506	963 0060 709	8P connector base	L101220080000	1	R838	Carbon chip 10 kohm 1/10W	C200010360200
CP554	963 0060 903	15P connector base	L101220150000	1	R839,842	Carbon chip 4.7 kohm 1/10W	C200047260200
—	960 0184 000	Screw bracket	4010210196000	2	R848	Carbon chip 100 ohm 1/10W	C200010160200

Ref. No.	Part No.	Part Name	Remarks
R863L,R		Carbon chip 470 ohm 1/10W	C200047160200
R864C,FL		Carbon chip 100 kohm 1/10W	C200010460200
FR,SL,SR,SW			
R866		Carbon chip 10 kohm 1/10W	C200010360200
R866C,FL		Carbon chip 4.7 kohm 1/10W	C200047260200
FR,SL,SR,SW			
R867		Carbon chip 100 kohm 1/10W	C200010460200
R867C,FL		Carbon chip 4.7 kohm 1/10W	C200047260200
FR,SL,SR,SW			
R868C,FL			
FR,SL,SR,SW			
R869C,FL			
FR,SL,SR,SW			
R870C,FL		Carbon chip 1 kohm 1/10W	C200010260200
FR,SL,SR,SW			
R871C,FL		Carbon chip 100 kohm 1/10W	C200010460200
FR,SL,SR,SW			
R872C,FL		Carbon chip 2.2 kohm 1/10W	C200022260200
FR,SL,SR,SW			
R880,881		Carbon chip 47 ohm 1/10W	C200047060200
R895		Carbon chip 100 kohm 1/10W	C200010460200
R911		Carbon chip 10 kohm 1/10W	C200010360200
R913		Carbon chip 1 Mohm 1/10W	C200010560200
R922		Carbon chip 4.7 kohm 1/10W	C200047260200
R923		Carbon chip 6.2 kohm 1/10W	C200062260200
R927		Carbon chip 75 ohm 1/10W	C200075060200
R928		Carbon chip 5.1 kohm 1/10W	C200051260200
R929		Carbon chip 8.2 kohm 1/10W	C200082260200
R930		Carbon chip 3 kohm 1/10W	C200030260200
R931		Carbon chip 6.2 kohm 1/10W	C200062260200
R931L,R		Carbon chip 18 kohm 1/10W	C200018360200
R932		Carbon chip 4.7 kohm 1/10W	C200047260200
R938		Carbon chip 470 kohm 1/10W	C200047460200
R940		Carbon chip 10 kohm 1/10W	C200010360200
R941		Carbon chip 470 ohm 1/10W	C200047160200
R942,943		Carbon chip 0 ohm 1/10W	C200000060200
R945,946		Carbon chip 0 ohm 1/10W	C200000060200
R947,948		Carbon chip 0 ohm 1/10W	C200000060200
R949		Carbon chip 47 ohm 1/10W	C200047060200
R950,951		Carbon chip 0 ohm 1/10W	C200000060200
R952-954		Carbon chip 100 ohm 1/10W	C200010160200
CAPACITORS GROUP			
C801		Ceramic chip 0.1µF/50V	D011104597200
C802,803		Ceramic chip 22pF/50V	D010220167200
C805		Ceramic chip 22pF/50V	D010220167200
C808		Ceramic chip 0.1µF/50V	D011104597200
C809		Electrolytic 100µF/10V	D040101082060
C810		Ceramic chip 0.1µF/50V	D011104597200
C811		Electrolytic 47µF/10V	D040470082050
C816		Ceramic chip 22pF/50V	D010220167200

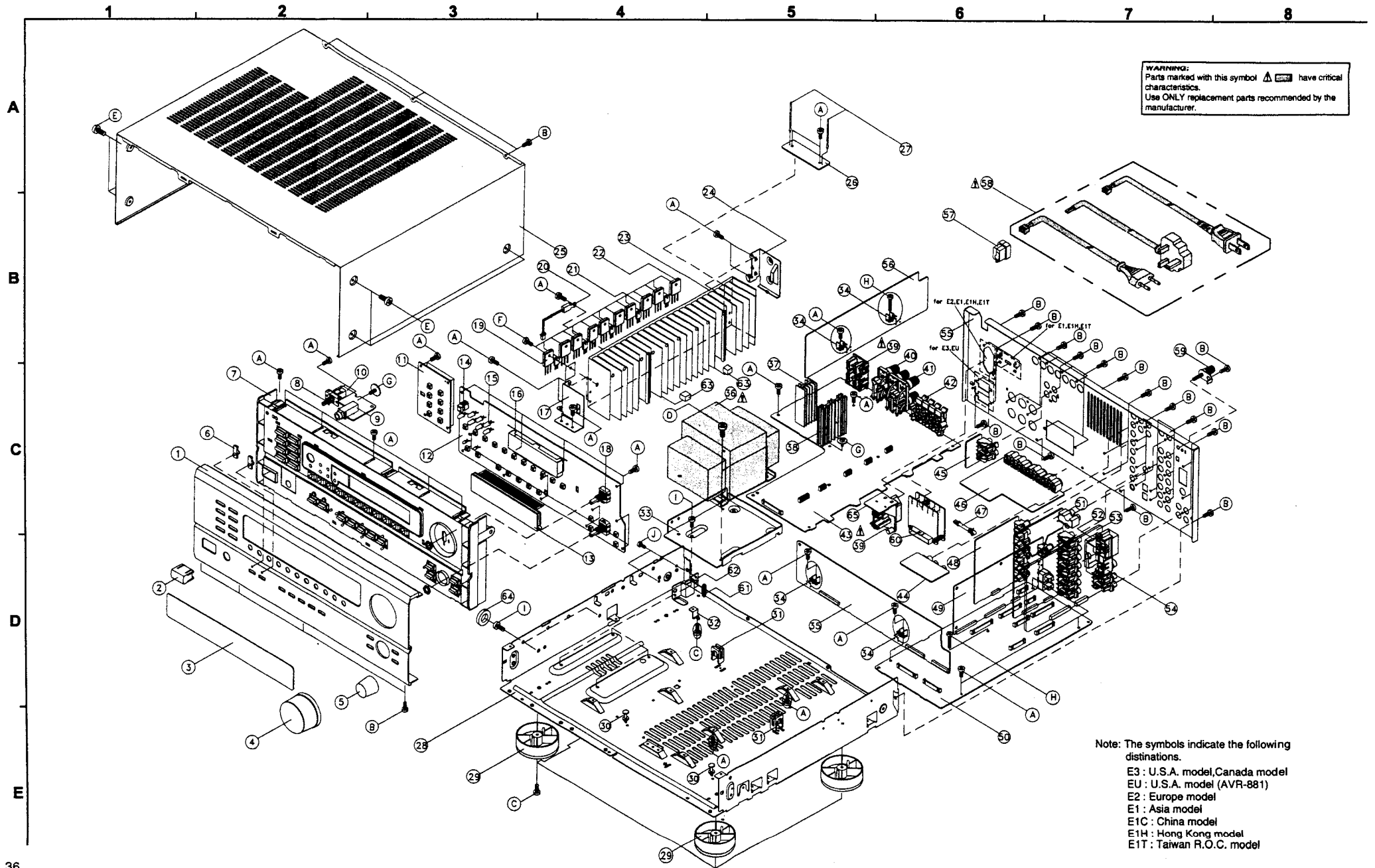
Ref. No.	Part No.	Part Name	Remarks
C817		Electrolytic 0.1µF/50V	D040R10087070
C818		Ceramic chip 0.1µF/50V	D011104597200
C820		Electrolytic 47µF/10V	D040470082050
C821		Electrolytic 1000µF/6.3V	D040102081060
C822,823		Ceramic chip 0.1µF/50V	D011104597200
C824		Electrolytic 100µF/10V	D040101082060
C825		Electrolytic 1µF/50V	D040010087050
C826		Electrolytic 10µF/35V	D040100085050
C827		Ceramic chip 0.1µF/50V	D011104597200
C828		Ceramic chip 0.01µF/50V	D011103777200
C829		Electrolytic 10µF/35V	D040100085050
C830,832		Ceramic chip 0.1µF/50V	D011104597200
C836		Electrolytic 220µF/6.3V	D040221061050
C837,838		Ceramic chip 0.1µF/50V	D011104597200
C839		Ceramic chip 0.22µF/50V	D011224597200
C840		Electrolytic 2.2µF/50V	D0402R2087250
C841		Electrolytic 47µF/10V	D040470082050
C842		Ceramic chip 0.1µF/50V	D011104597200
C843		Electrolytic 100µF/10V	D040101082060
C844		Ceramic chip 0.1µF/50V	D011104597200
C854,855		Electrolytic 100µF/25V	D040101084060
C856-863		Ceramic chip 0.1µF/50V	D011104597200
C864L,R		Electrolytic 10µF/35V	D040100085050
C865L,R		Ceramic chip 100pF/50V	D010101167200
C869L,R		Ceramic chip 100pF/50V	D010101167200
C871L,R		Ceramic chip 1000pF/50V	D011102777200
C873C,FL		Ceramic chip 680pF/50V	D010681167200
FR,SL,SR,SW			
C874C,FL			
FR,SL,SR,SW			
C875C,FL		Electrolytic 10µF/35V	D040100085050
FR,SL,SR,SW			
C876C,FL		Ceramic chip 3300pF/50V	D011332777200
FR,SL,SR,SW			
C878		Electrolytic 100µF/10V	D040101082060
C880C,FL		Electrolytic 10µF/35V	D040100085050
FR,SL,SR,SW			
C894,896		Ceramic chip 0.1µF/50V	D011104597200
C908,909		Ceramic chip 27pF/50V	D010270167200
C916		Ceramic chip 0.1µF/50V	D011104597200
C917		Electrolytic 10µF/35V	D040100085050
C918		Ceramic chip 0.1µF/50V	D011104597200
C919		Ceramic chip 0.01µF/50V	D011103777200
C920		Ceramic chip 0.1µF/50V	D011104597200
C921		Ceramic chip 0.01µF/50V	D011103777200
C923,925		Ceramic chip 0.1µF/50V	D011104597200
C926		Electrolytic 10µF/35V	D040100085050
C931,935		Ceramic chip 0.01µF/50V	D011103777200
C936		Ceramic chip 0.1µF/50V	D011104597200
C937		Electrolytic 10µF/35V	D040100085050
C938		Electrolytic 1µF/50V	D040010087050


VOLTAGE SEL P.W.B. UNIT

Ref. No.	Part No.	Part Name	Remarks	Q'ty
C939,940		Ceramic chip 0.01µF/50V	D011103777200	
C943		Electrolytic 0.1µF/50V	D040R10087070	
C944		Ceramic chip 0.01µF/50V	D011103777200	
C945		Ceramic chip 1000pF/50V	D011102777200	
C946,947		Ceramic chip 0.1µF/50V	D011104597200	
C948		Electrolytic 10µF/35V	D040100085050	
C949		Electrolytic 2.2µF/50V	D0402R2087250	
C950		Ceramic chip 0.1µF/50V	D011104597200	
C951		Electrolytic 100µF/10V	D040101082060	
C952,953		Ceramic chip 0.1µF/50V	D011104597200	
C954,955		Ceramic chip 0.01µF/50V	D011103777200	
C956		Ceramic chip 1000pF/50V	D011102777200	
OTHER PARTS GROUP				
C8801,	963 0050 502	Chip smtll	761101000020	20
803-805,				
807-820,				
828,840				
CN801	963 0046 707	16P connector socket	L101352371810	1
CN802	963 0050 609	18P connector socket	L101352371810	1
CN803	963 0050 308	6P connector socket	L101352370610	1
FB801C,FL	963 0050 706	Beads inductor	7610035500010	8
FR,SL,SR,SW				
FB802L,R				
L801,802	963 0050 803	Inductor 4.7µH	D3304R7000150	2
L803	963 0050 900	Inductor 2.2µH	D3302R2000150	1
L805	963 0050 803	Inductor 4.7µH	D3304R7000150	1
L807	963 0050 900	Inductor 2.2µH	D3302R2000150	1
XTAL801	960 0180 907	Crystal 12.288MHz	E80012R288020	1
—	960 0180 800	Optical connector (GP1F37R1)	E100137000010	2
—	963 0052 500	1P pin jack	G600010003100	1

Ref. No.	Part No.	Part Name	Remarks	Q'ty
OTHER PARTS GROUP				
CN105	963 0059 202	2P connector cord	L000151020040 for E1,E1H,E1T	1
CN903	963 0058 805	2P connector cord	L000101020070 for E1,E1H,E1T	1
CP901	963 0061 203	5P connector base	L104353280500 for E1,E1H,E1T	1
CP902	963 0059 309	3P connector base	L000151030030 for E1,E1H,E1T	1
F101	960 0142 602	Fuse 2.5A	G650252251160 for E1,E1H,E1T	1
A.F101A,B	963 0005 404	Fuse chip	G64500000070 for E1,E1H,E1T	2
A.F102	963 0044 300	Fuse 3.15A	G650012251160 for E1,E1H,E1T	1
A.F102A,B	963 0005 804	Fuse chip	G64500000010 for E1,E1H,E1T	2
A.F103	963 0057 107	Fuse 5.5A	G66082251160 for E1,E1H,E1T	1
A.F103A,B	963 0005 804	Fuse chip	G64500000010 for E1,E1H,E1T	2
JK911	960 0143 203	AC outlet	G435040110000 for E1,E1H,E1T	1
JK912	963 0056 904	SLIDE SW	G060268320010 for E1,E1H,E1T	1
—	963 0044 602	Supporter	4070210192000 for E1,E1H,E1T	2
—	963 0051 103	Spacer	4300210062000 for E1,E1H,E1T	2

EXPLODED VIEW



WARNING:
 Parts marked with this symbol  have critical characteristics.
 Use **ONLY** replacement parts recommended by the manufacturer.

Note: The symbols indicate the following destinations.
 E3: U.S.A. model, Canada model
 EU: U.S.A. model (AVR-881)
 E2: Europe model
 E1: Asia model
 E1C: China model
 E1H: Hong Kong model
 E1T: Taiwan R.O.C. model

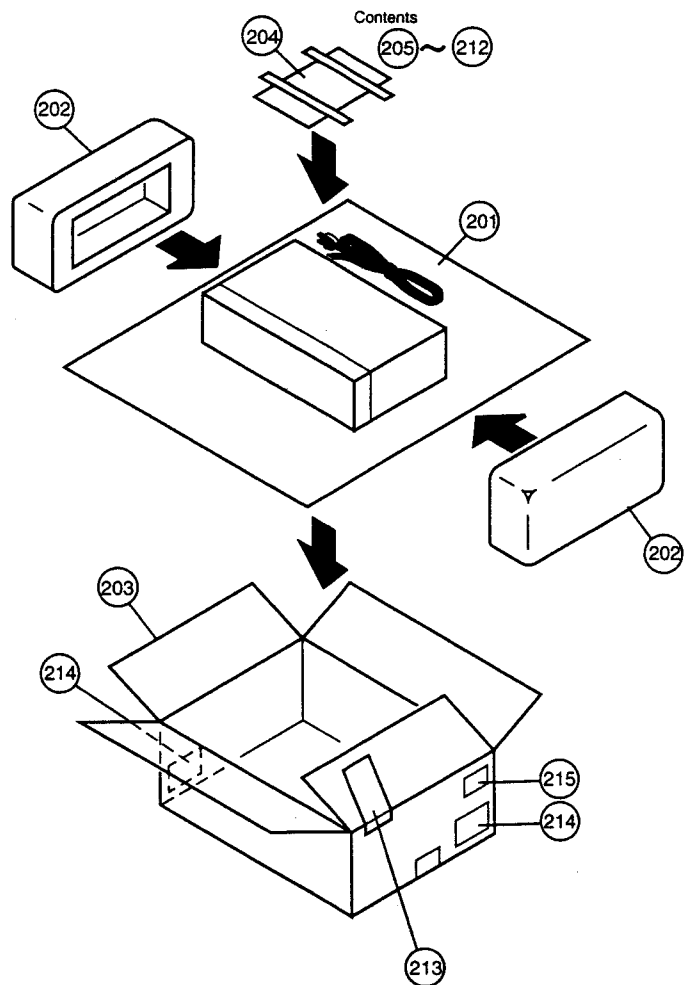
Note: The symbols in the column 'Remarks' indicate the following destinations.
 E3: U.S.A. model, Canada model
 EU: U.S.A. model (AVR-8B1)
 E2: Europe model
 E1: Asia model
 E1C: China model
 E1H: Hong Kong model
 E1T: Taiwan R.O.C. model

PARTS LIST OF EXPLODED VIEW

Ref. No.	Part No.	Part Name	Remarks	Q'ty	Ref. No.	Part No.	Part Name	Remarks	Q'ty
	963 0042 507	Main P.W.B assy	7025HK9907010 for E3,EU	1	2	960 0185 009	Power button	5090210201000 for Black model	1
	963 0042 536		7025HK9907040 for E2	1	2	963 0055 206	Power button(GO)	5097210201110 for Gold mode	1
	963 0042 578		7025HK9907110 for E1,E1H,E1T	1	3	963 0054 702	Window	5077210242010	1
	963 0042 549		7025HK9907060 for E1C	1	4	963 0054 906	Main volume knob	5087210191010 for Black model	1
26		Video CNT P.W.B assy		1	4	963 0055 002	Main volume knob(GO)MOLD	5087210191110 for E2(Gold model),E1T	1
43		Main P.W.B assy		1	4	112 0839 008	Main volume knob(GO):AL	for E1,E1C,E1H	1
51		Input P.W.B assy		1	5	963 0054 809	Select knob(BK)	5080210201000 for Black model	1
	963 0042 604	Processor P.W.B assy	7025HK9907011 for E3,EU	1	5	963 0055 109	Select knob(GO)MOLD	5087210201100 for E2(Gold model),E1T	1
	963 0042 633		7025HK9907041 for E2	1	5	112 0835 015	Select knob(GO):AL	for E1,E1C,E1H	1
	963 0042 662		7025HK9907111 for E1,E1C,E1H,E1T	1	6	963 0051 307	Lens	3710210023000	2
12		Front P.W.B assy		1	7	963 0055 604	Inner panel(BK)	3217210061000 for Black model	1
50		CPU P.W.B assy		1	7	963 0055 617	Inner panel(GO)	3217210062000 for Gold mode	1
	963 0042 701	CNT P.W.B assy	7025HK9907012 for E3,EU	1	8	960 0176 209	Push switch	G000122000010	1
	963 0042 730		7025HK9907042 for E2	1	8	963 0056 603	Push switch	SW901 for E3,EU G0000408900000	1
	963 0042 769		7025HK9907112 for E1,E1C,E1H,E1T	1			SW901 for E2,E1, E1C,E1H,E1T	1	
	963 0042 743		7025HK9907062 for E1C	1	9	960 0187 502	Head phone jack(D6.5)	G402038400031	1
10		Head phone P.W.B assy		1	13	960 0180 509	FLT (16-ST-42GNK)	K530164200010	1
11		Switch P.W.B assy		1	14	960 0181 100	IC NJL64H380A	E940643800000 RMC301	1
35		Cnt P.W.B assy		1	15	960 0197 204	LED P15-RD/HL50RDRF4T	K500052015010 LED301-307	1
44		EXT-IN P.W.B assy		1	16	960 0184 408	FLT holder	4320200026000	1
45		Preout P.W.B assy		1	17		Heat sink bracket F	4010210396000	1
46		S-Video P.W.B assy		1	18	960 0181 207	Rotary encoder	G1211824204000	2
48		Video P.W.B assy		1			VEC301,302 for E3,EU,E2,E1T	1	
53		Tuner P.W.B assy		1	18	212 0422 003	Rotary encoder	VEC301,302 for E1,E1C,E1H	2
65		Outlet P.W.B assy	for E2	1	19	963 0044 107	Transistor 2SB1560Y	J5011560Y0000 Q102C,FL,FR,SL,SR	5
	963 0042 806	Pre-Amp P.W.B assy	7025HK9907013	1	20	960 0187 900	Posistor	F320161001020	1
56		Pre-Amp P.W.B assy		1	21	963 0058 106	Transistor 2SD947F	J503947F00000 Q109C,FL,FR,SL,SR	5
	963 0042 905	DSP P.W.B assy	7025HK9907014	1	22	963 0044 204	Transistor 2SD2390Y	J5032390Y00000 Q101C,FL,FR,SL,SR	5
49		DSP P.W.B assy		1	23		Heat sink	2120210128000	1
	963 0060 110	Voltage sel P.W.B assy	7025HK9907105 for E1,E1H,E1T	1	24	960 0184 204	Heat sink bracket B	4010210386000	1
		Voltage sel P.W.B assy	for E1,E1H,E1T	1	25	960 0183 218	Top cover	3000210026000 for E3,EU	1
1	963 0055 303	Front panel	3067210238000 for E3	1	25	960 0183 205	Top cover	3000210026001 for E2(Black model)	1
	963 0055 329	Front panel	3067210238060 for EU	1	25	963 0055 507	Top cover	3000210026101 for Gold model	1
	963 0055 316	Front panel	3067210238020 for E2(Black model)	1	27		Wire clamp	4330000120000	2
	963 0055 413	Front panel	3067210238010 for E2(Gold model)	1					
	963 0055 426	Front panel	3067210238040 for E1,E1C,E1H,E1T	1					

Ref. No.	Part No.	Part Name	Remarks	Q'ty	Ref. No.	Part No.	Part Name	Remarks	Q'ty
28	963 0055 808	Chassis	3200210146100 for E3,EU	1	A	963 0050 301	AC cord assy	L068000070000 for E1C	1
28	960 0198 216	Chassis	3200210146301 for E2,E1, E1C,E1H,E1T	1	59	960 0183 807	Terminal	3790000090000	1
29	960 0183 904	Foot assy	4008020061010	4	61	963 0044 602	PC supporter	4070210192000 for E2,E1, E1C,E1H,E1T	1
30	963 0051 103	Card spacer	4300210062000	2	62	963 0044 505	Side bracket	4010210236000 for E2,E1, E1C,E1H,E1T	1
31	960 0136 605	PCB supporter	4070001601010	2	63	963 0054 304	Heatsink cushion	4050210205000 for E2,E1, E1C,E1H,E1T	2
32	960 0184 107	Supporter bracket	4010210206000	1	64	963 0051 200	Cushion	4050210165000 for EU,E2, E1,E1C,E1H,E1T	2
33	960 0192 306	Trans bracket	4010210466000	1	★	960 0093 104	Push rivet	2410040353010 for E2,E1, E1C,E1H,E1T	6
34	960 0184 000	Screw bracket	4010210196000	2	★	963 0061 407	FFC cable	L301186171850	1
A	963 0056 349	Power button	5090210201000 for E3,EU	1	SCREWS				
A	963 0056 111	Power button	5097210201110 for E2	1	A	963 0018 007	Screw (2S 3x8 ZNY/BH)	B020030081B10	44
A	963 0056 317	Power button	5077210242010 for E1,E1C,E1H	1	B	960 0108 701	Screw (2S 3x10 DOT BK)	B020030103B11 for E3,EU,E2	43
A	963 0056 214	Power button	5080210201000 for Black model	1	B	960 0108 701	Screw (2S 3x10 DOT BK)	B020030103B11 for E1,E1H,E1T	45
A	963 0056 214	Power button	5087210191010 for Black model	1	B	960 0108 701	Screw (2S 3x10 DOT BK)	B020030103B11 for E1C	41
37	—	Heat sink	2120044308010	1	C	963 0048 200	Screw (2S 3x10 ZNY/BH)	B020030101B10	5
38	—	Heat sink	2120043538050	1	D	960 9008 417	Screw (3S 4x8 ZNY/BH)	B028940061B10	4
A	963 0056 349	Power button	5090210201000 for E3,EU	1	E	963 0048 307	Screw (2S 4x8 DOT BK)	1500040083B10 for Black model	6
A	963 0056 111	Power button	5097210201110 for E2	1	E	963 9004 012	Screw (2S 4x8 DOT NI)	1500040084B10 for Gold mode	6
A	963 0056 317	Power button	5077210242010 for E1,E1C,E1H	1	F	963 9004 009	Screw (2S 3x14 WASHER ZNY/H)	B018230141H10	15
A	963 0056 214	Power button	5080210201000 for Black model	1	G	960 9008 420	Screw (2S 3x8 WASHER)	1500001456010	1
40	960 0194 809	2P speaker terminal	G611021078110 JK103	1	H	963 0018 104	Screw (2S 3x17 ZNY/BH)	B020030171B10	2
41	960 0188 608	4P speaker terminal	G612041037310 JK102	1	I	963 9004 025	Screw (3S 4x6 ZNY/BH)	B020740061B10	6
42	960 0194 304	8P speaker terminal	G598041680020 JK101	1	J	963 9004 041	Screw (2S 3x5 ZNY/BH)	B020030051B10 for E1,E1H,E1T,E2,E1C	2
47		PCB holder	4420010173010	1					
52	960 0184 602	Plate	4470210146000	1					
54	963 0054 003	Shield tuner pack	3070210056000	1					
55	963 0055 701	Back panel	3207210256000 for E3	1					
55	963 0055 756	Back panel	3207210256500 for EU	1					
55	963 0055 714	Back panel	3207210256020 for E2	1					
55	963 0055 730	Back panel	3207210256040 for E1,E1H,E1T	1					
55	963 0055 727	Back panel	3207210256030 for E1C	1					
57	960 0192 403	Cord bush	4380210002000	1					
A	963 0050 301	AC cord assy	L068000070000 for E3,EU	1					
A	963 0050 301	AC cord assy	L068000070000 for E2	1					
A	963 0050 301	AC cord assy	L068000070000 for E1	1					
A	963 0050 301	AC cord assy	L068000070000 for E1T	1					
A	963 0050 301	AC cord assy	L068000070000 for E1H	1					

PACKING VIEW

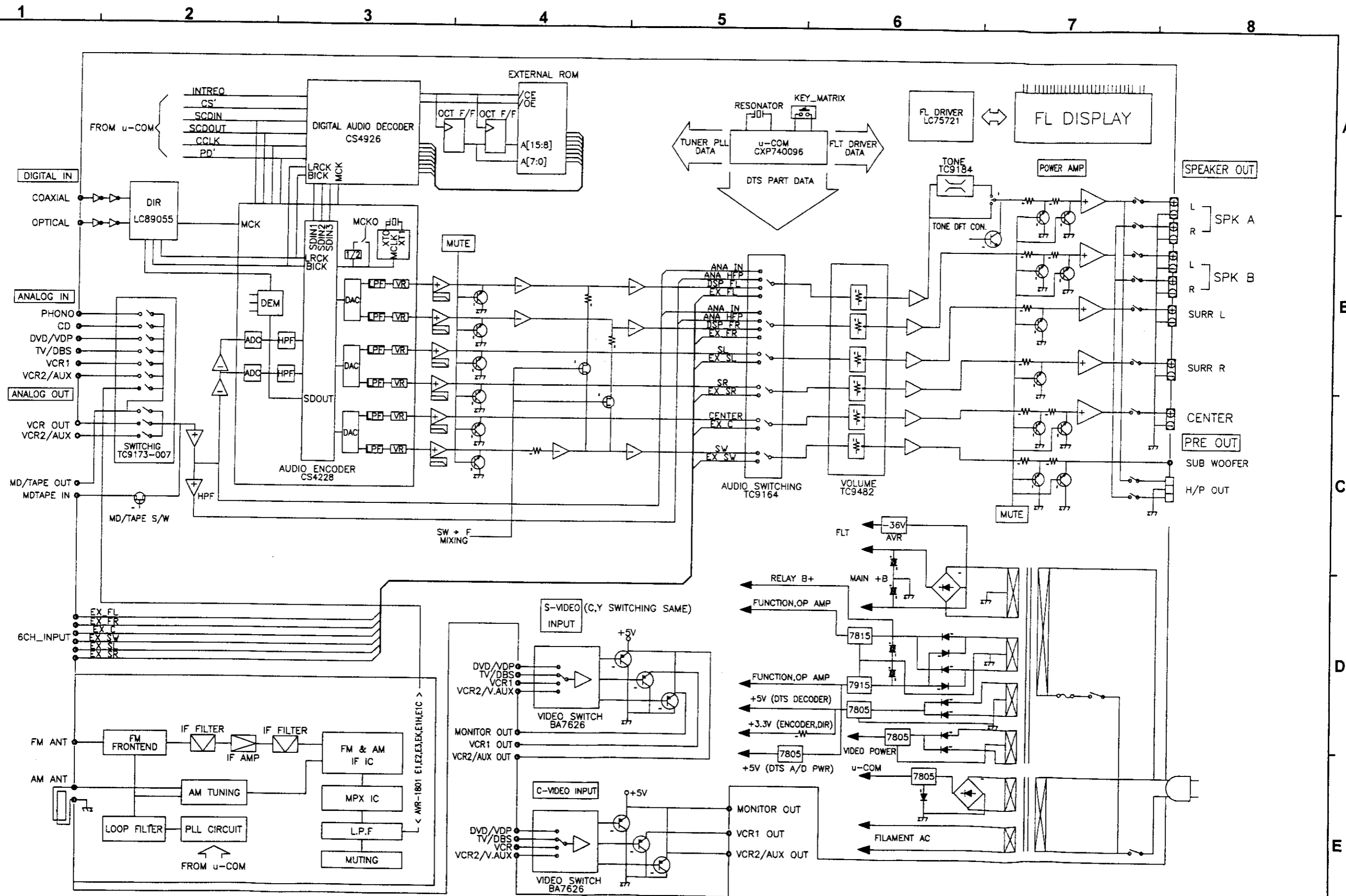


PARTS LIST OF PACKING & ACCESSORIES

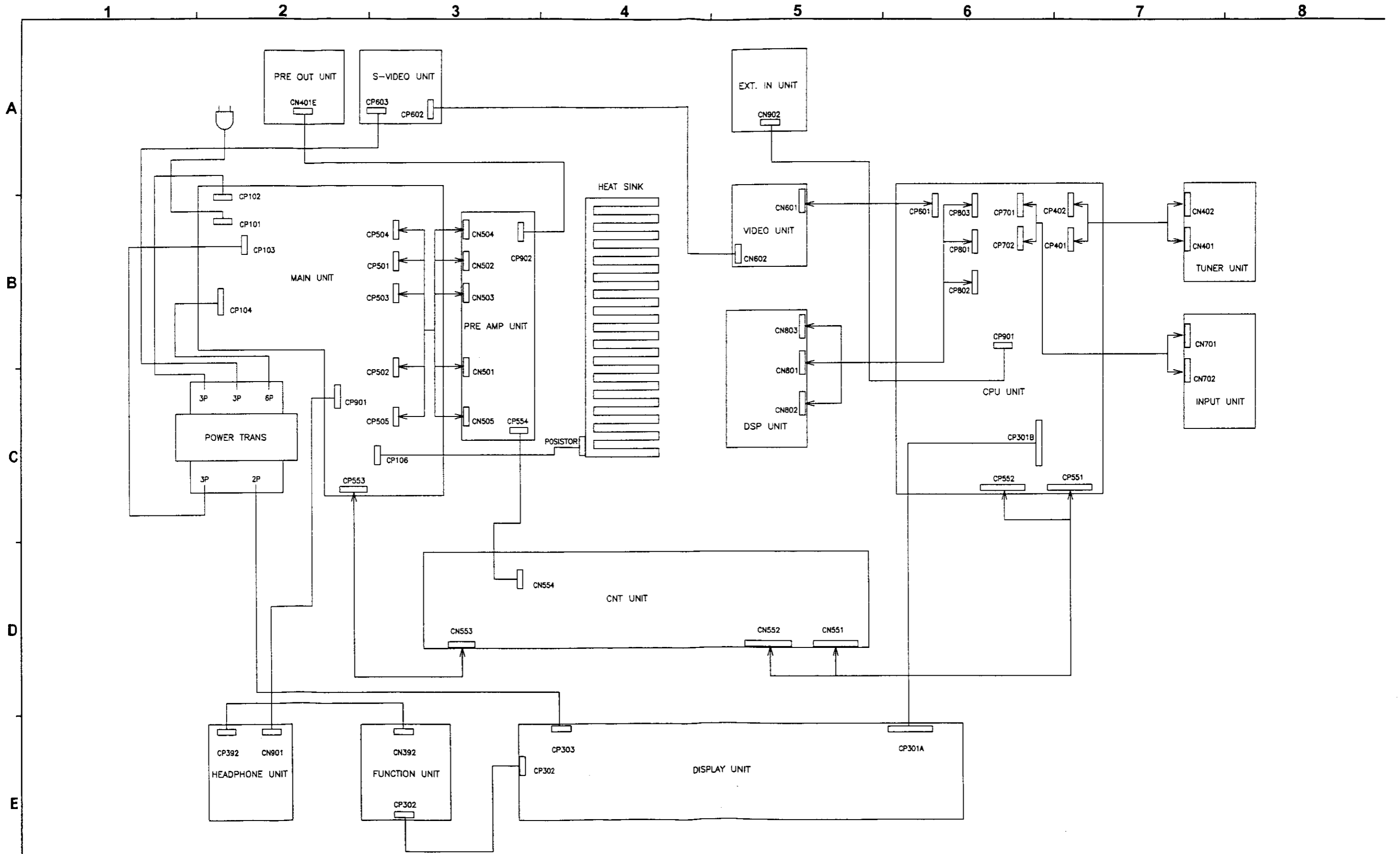
Note: The symbols in the column "Remarks" indicate the following destinations.
 E3: U.S.A. model, Canada model E1C: China model
 EU: U.S.A. model (AVR-881) E1H: Hong Kong model
 E2: Europe model E1T: Taiwan R.O.C. model
 E1: Asia model

Ref. No.	Part No.	Part Name	Remarks	Q'ty
201	960 0185 601	Set poly bag	6330210019000	1
202	960 0185 504	Cushion	6230210124000	1
203	963 0054 511	Carton case	6007210140010 for E3,E2	1
203	963 0054 566	Carton case	6007210140040 for EU	1
203	963 0054 524	Carton case	6007210140030 for E1,E1C,E1T	1
203	963 0054 537	Carton case	6007210150020 for E1H	1
204	963 0045 106	Poly bag	6330000240000	1
205	963 0054 618	Instruction manual	5113598006 for E3,EU	1
205	963 0054 621	Instruction manual	5113599005 for E2	1
205	963 0054 650	Instruction manual	5113621009 for E1,E1C,E1H,E1T	1
205	963 0054 647	Instruction manual	5113623007 for E1C	1
206	515 0867 101	S.S. list	5777001620011	1
207	963 0052 306	AM loop antenna	E605010090000	1
208	963 0052 209	FM antenna	E605000030010	1
209	963 0043 001	Remocan RC-874	8300874000010	1
210	—	Battery (R6P/AA)	G670001R50010	2
211	963 0052 704	FM antenna adapter	L109000180010	1
212	963 0061 300	AC plug adapter	L10928300310A for E1T	1
213	515 0817 009	DEL Warranty home	5778001470070 for E3,EU	1
214	—	Control label	5500014920010	2
215	—	UPC label	5507002340010 for E3	1
215	—	UPC label	5507002340050 for EU	1
215	—	EAN label	5507002340040 for E2(Black model)	1
215	—	EAN label	5507002340030 for E2(Gold model)	1
★	513 3322 003	Label (RDS, RADIO TEXT)	for E2	2
★	—	Label (CCIB)	5500020160030 for E1C	2
★	513 3341 000	Carton label (A)	for E1,E1C,E1H,E1T	1
★	513 3342 009	Carton label (B)	for E1,E1C,E1H,E1T	1
★	513 9111 001	Color label (Gold)	for Gold mode	2
★	963 0055 905	Pad	6240210004000 for E1H	2

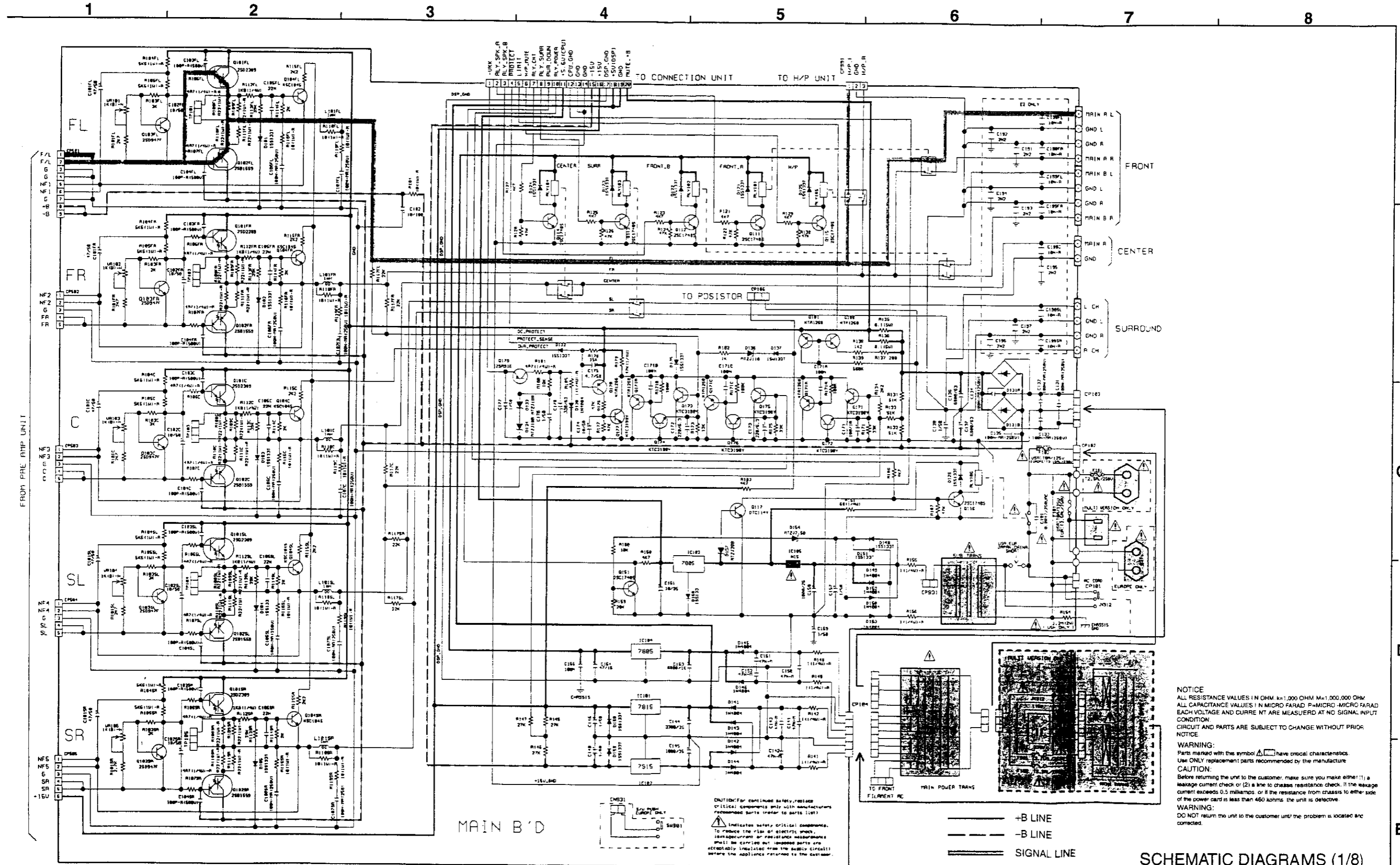
BLOCK DIAGRAMS



WIRING DIAGRAM



SCHEMATIC DIAGRAMS (1/8)



NOTICE
 ALL RESISTANCE VALUES IN OHM \pm 1,000 OHM \pm 1,000,000 OHM
 ALL CAPACITANCE VALUES IN MICRO-FARAD P-MICRO-MICRO-FARAD
 EACH VOLTAGE AND CURRENT ARE MEASURED AT NO SIGNAL INPUT
 CONDITION
 CIRCUIT AND PARTS ARE SUBJECT TO CHANGE WITHOUT PRIOR
 NOTICE

WARNING:
 Parts marked with this symbol Δ have critical characteristics.
 Use ONLY replacement parts recommended by the manufacturer.

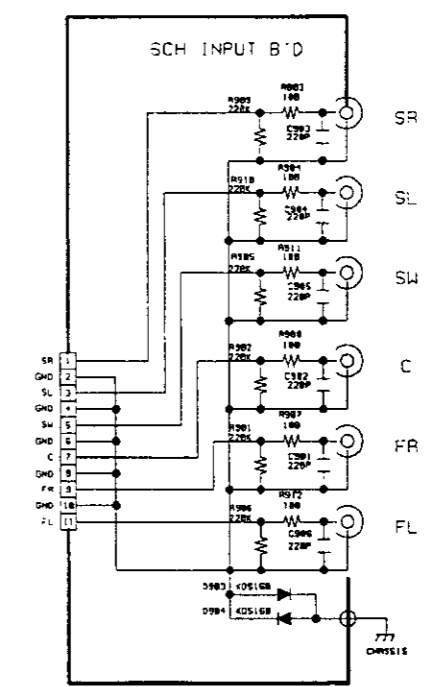
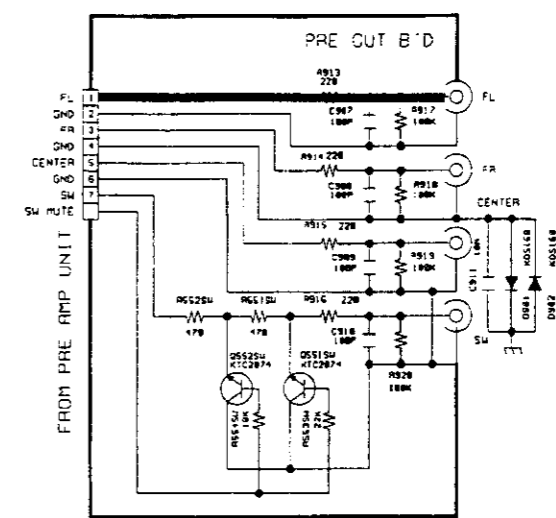
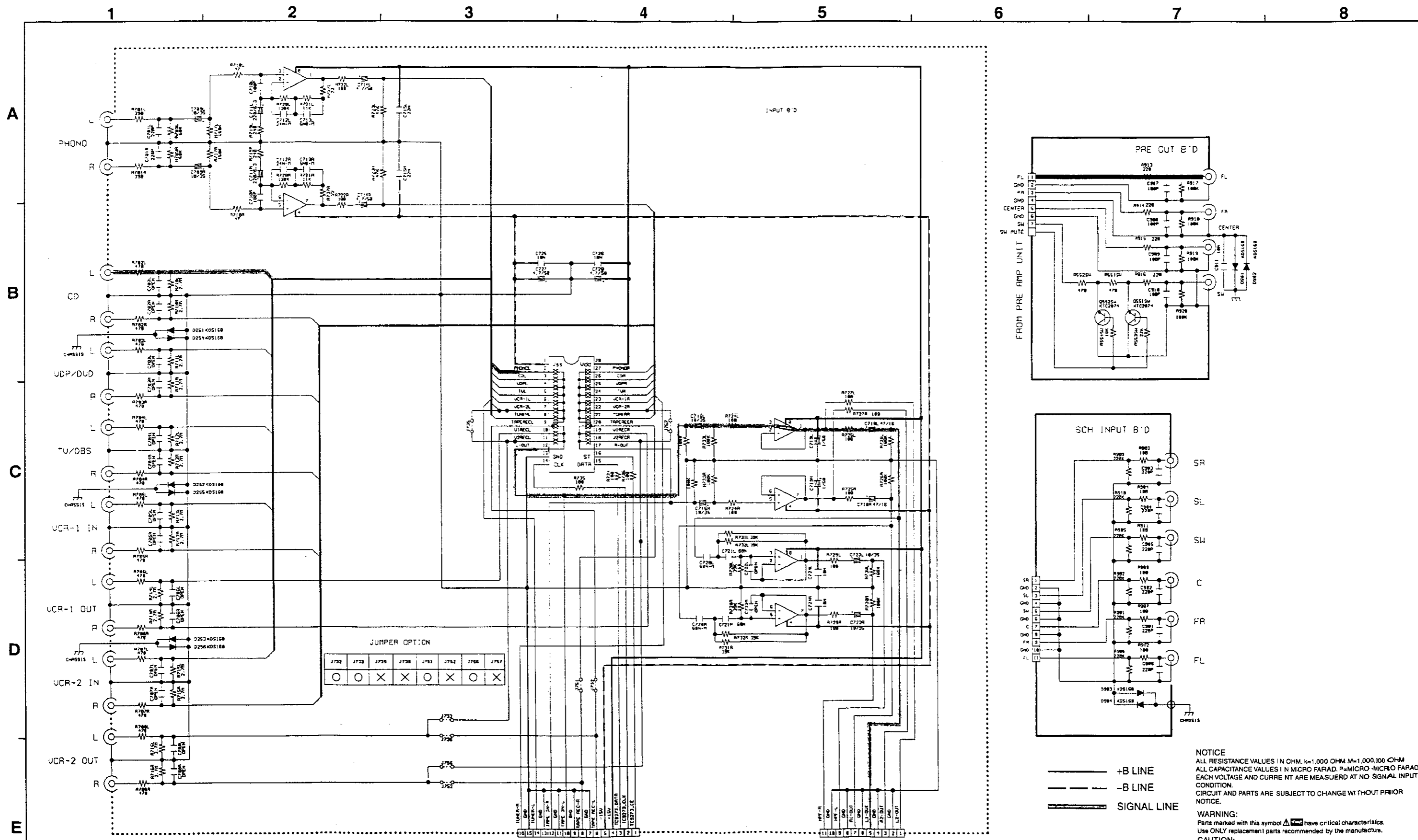
CAUTION:
 Before returning the unit to the customer, make sure you make either (1) a
 leakage current check or (2) a line to chassis resistance check. If the leakage
 current exceeds 0.5 milliamperes, or if the resistance from chassis to either side
 of the power cord is less than 460 kohms, the unit is defective.

WARNING:
 DO NOT return the unit to the customer until the problem is located and
 corrected.

— +B LINE
 - - - -B LINE
 ——— SIGNAL LINE

SCHEMATIC DIAGRAMS (1/8)
 MAIN UNIT
 VOLTAGE SEL UNIT

SCHEMATIC DIAGRAMS (2/8)



——— +B LINE
 - - - - - -B LINE
 ——— SIGNAL LINE

NOTICE
 ALL RESISTANCE VALUES IN OHM, K=1,000 OHM M=1,000,000 OHM
 ALL CAPACITANCE VALUES IN MICRO FARAD, P=MICRO-MICRO FARAD
 EACH VOLTAGE AND CURRENT ARE MEASURED AT NO SIGNAL INPUT
 CONDITION.
 CIRCUIT AND PARTS ARE SUBJECT TO CHANGE WITHOUT PRIOR
 NOTICE.

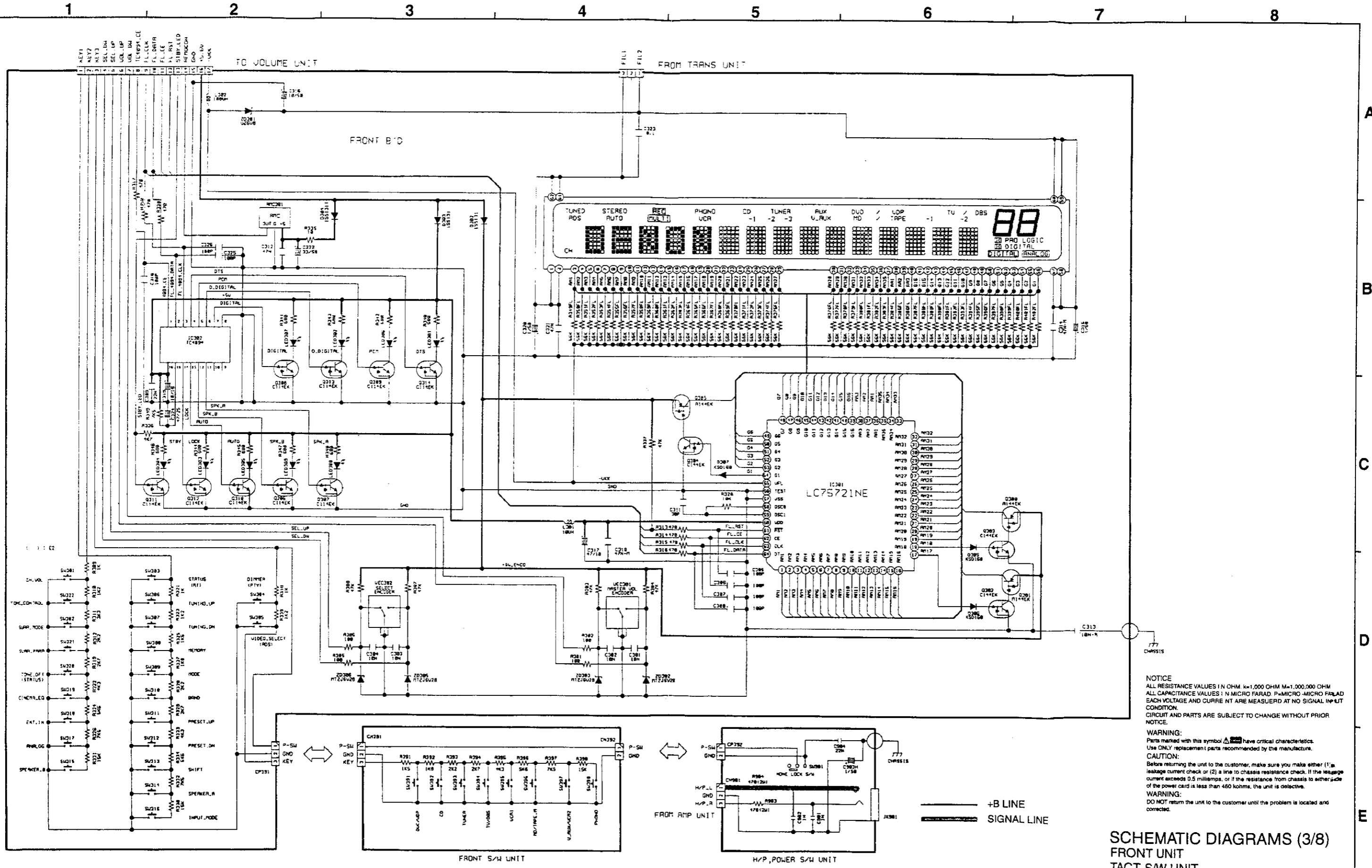
WARNING:
 Parts marked with this symbol have critical characteristics.
 Use ONLY replacement parts recommended by the manufacturer.

CAUTION:
 Before returning the unit to the customer, make sure you make either (1) a
 leakage current check or (2) a line to chassis resistance check. If the leakage
 current exceeds 0.5 millamps, or if the resistance from chassis to either side
 of the power card is less than 480 kohms, the unit is defective.


WARNING:
 DO NOT return the unit to the customer until the problem is located and
 corrected.

SCHEMATIC DIAGRAMS (2/8)
 INPUT UNIT

SCHEMATIC DIAGRAMS (3/8)



NOTICE
 ALL RESISTANCE VALUES IN OHM K=1,000 OHM M=1,000,000 OHM
 ALL CAPACITANCE VALUES IN MICRO FARAD P=MICRO-MICRO FARAD
 EACH VOLTAGE AND CURRENT ARE MEASURED AT NO SIGNAL INPUT
 CONDITION.
 CIRCUIT AND PARTS ARE SUBJECT TO CHANGE WITHOUT PRIOR
 NOTICE.

WARNING:
 Parts marked with this symbol  have critical characteristics.
 Use ONLY replacement parts recommended by the manufacturer.

CAUTION:
 Before returning the unit to the customer, make sure you make either (1) a
 leakage current check or (2) a line to chassis resistance check. If the leakage
 current exceeds 0.5 milliamps, or if the resistance from chassis to either side
 of the power card is less than 450 kohms, the unit is defective.

WARNING:
 DO NOT return the unit to the customer until the problem is located and
 corrected.

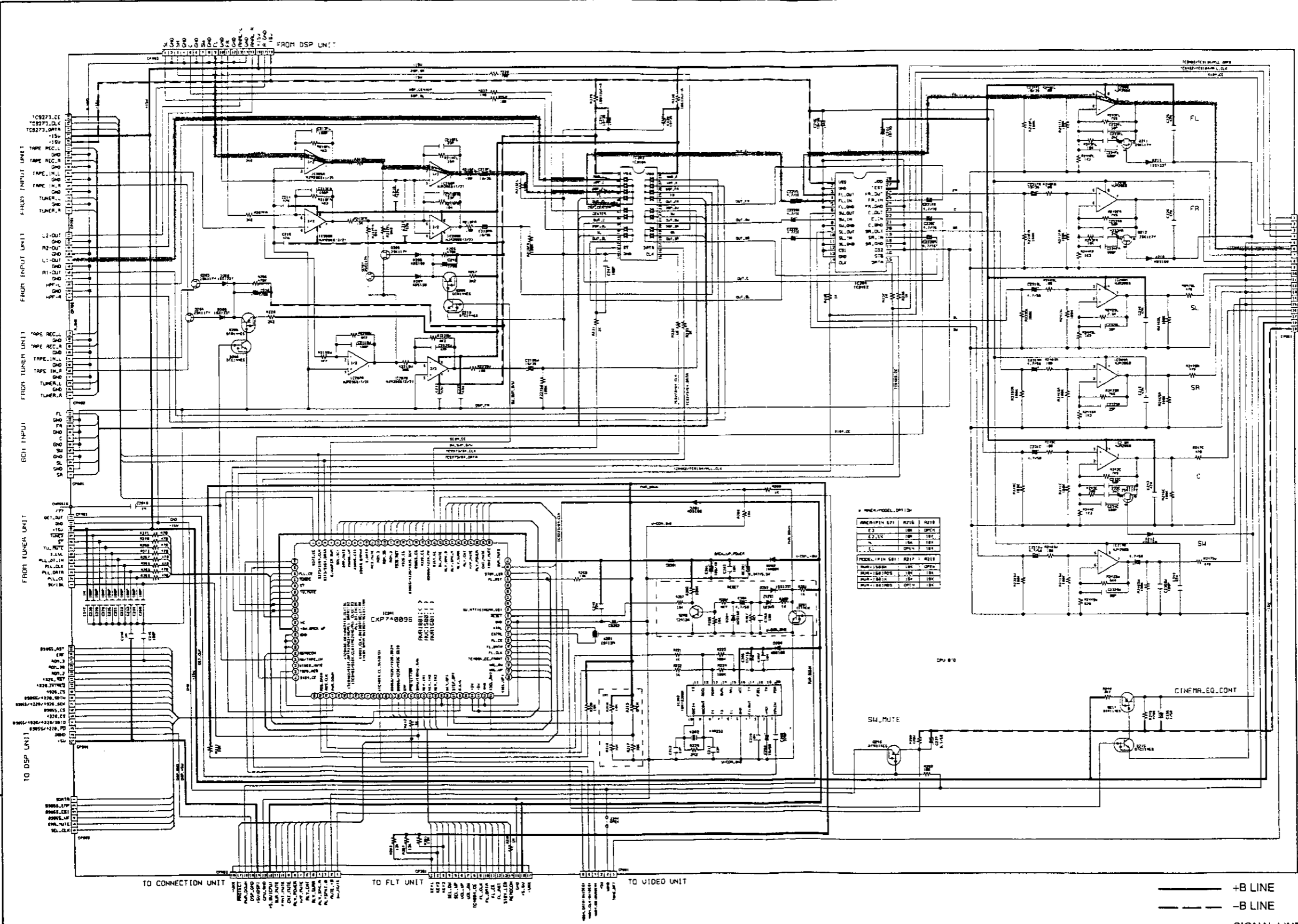
SCHEMATIC DIAGRAMS (3/8)
 FRONT UNIT
 TACT S/W UNIT
 H/P, POWER S/W UNIT

A
 B
 C
 D
 E

SCHEMATIC DIAGRAMS (4/8)

1 2 3 4 5 6 7 8

A
B
C
D
E



WAVEFORM OPT 12

WAVEFORM OPT 12	RT1E	RT1B
RT1E	100	100
RT1B	100	100
RT1C	100	100
RT1D	100	100
RT1E	100	100
RT1F	100	100
RT1G	100	100
RT1H	100	100
RT1I	100	100
RT1J	100	100
RT1K	100	100
RT1L	100	100
RT1M	100	100
RT1N	100	100
RT1O	100	100
RT1P	100	100
RT1Q	100	100
RT1R	100	100
RT1S	100	100
RT1T	100	100
RT1U	100	100
RT1V	100	100
RT1W	100	100
RT1X	100	100
RT1Y	100	100
RT1Z	100	100

NOTICE
 ALL RESISTANCE VALUES IN OHM, K=1,000 OHM, M=1,000,000 OHM
 ALL CAPACITANCE VALUES IN MICRO FARAD, P=MICRO-MICRO FARAD
 EACH VOLTAGE AND CURRENT ARE MEASURED AT NO SIGNAL INPUT CONDITION.
 CIRCUIT AND PARTS ARE SUBJECT TO CHANGE WITHOUT PRIOR NOTICE.

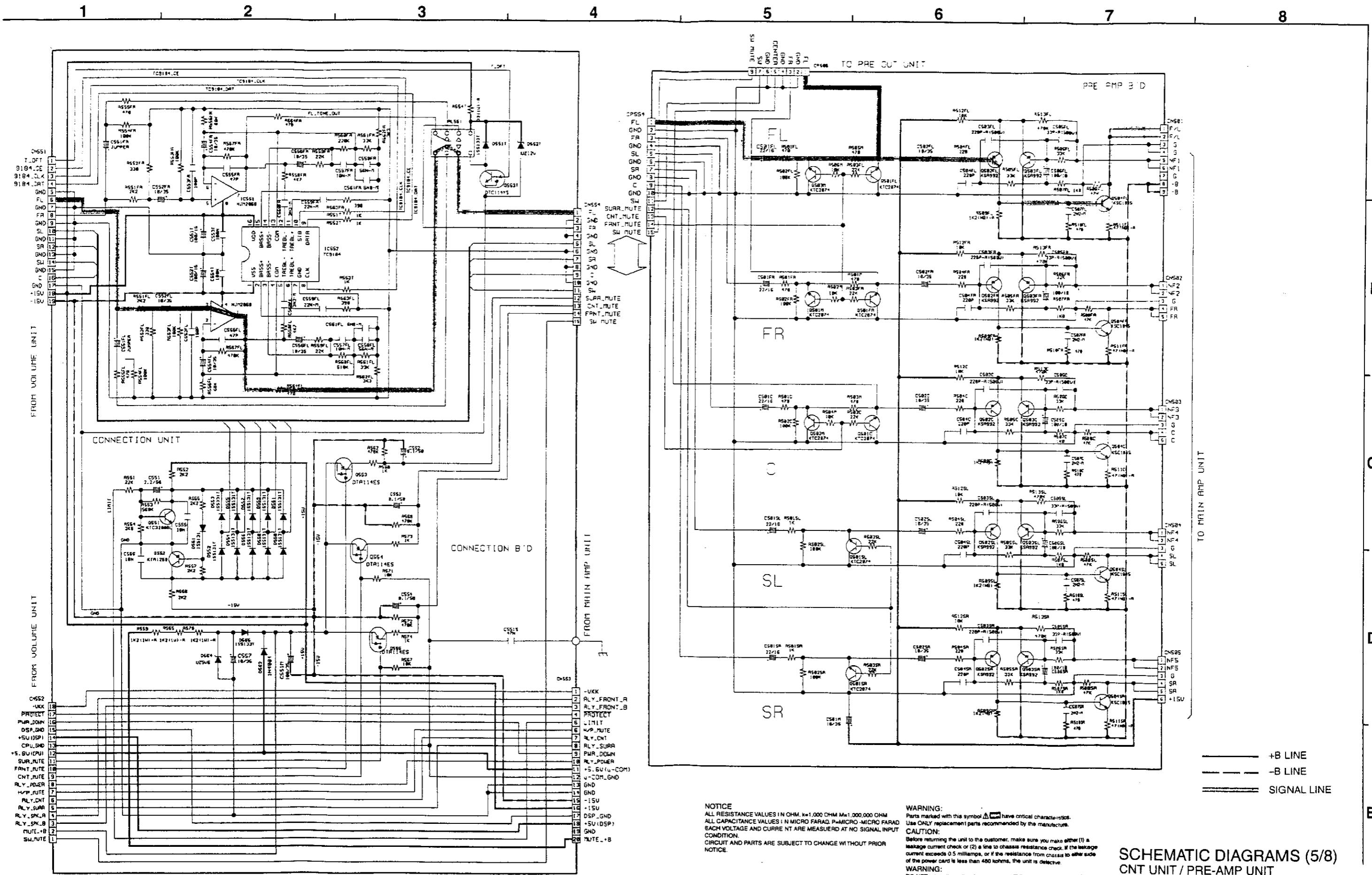
WARNING:
 Parts marked with this symbol  have critical characteristics. Use ONLY replacement parts recommended by the manufacturer.

CAUTION:
 Before returning the unit to the customer, make sure you make either (1) a leakage current check or (2) a line to chassis resistance check. If the leakage current exceeds 0.5 millamps, or if the resistance from chassis to either side of the power cord is less than 460 kohms, the unit is defective.

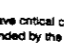
WARNING:
 DO NOT return the unit to the customer until the problem is located and corrected.

SCHEMATIC DIAGRAMS (4/8)
INPUT UNIT

SCHEMATIC DIAGRAMS (5/8)



NOTICE
 ALL RESISTANCE VALUES IN OHM, k=1,000 OHM M=1,000,000 OHM
 ALL CAPACITANCE VALUES IN MICRO FARAD, P=MICRO-MICRO FARAD
 EACH VOLTAGE AND CURRENT ARE MEASURED AT NO SIGNAL INPUT
 CONDITION.
 CIRCUIT AND PARTS ARE SUBJECT TO CHANGE WITHOUT PRIOR
 NOTICE.

WARNING:
 Parts marked with this symbol  have critical characteristics.
 Use ONLY replacement parts recommended by the manufacturer.
CAUTION:
 Before returning the unit to the customer, make sure you make either (1) a
 leakage current check or (2) a line to chassis resistance check. If the leakage
 current exceeds 0.5 millamps, or if the resistance from chassis to other side
 of the power cord is less than 450 kohms, the unit is defective.
WARNING:
 DO NOT return the unit to the customer until the problem is located and
 corrected.

SCHEMATIC DIAGRAMS (5/8)
CNT UNIT / PRE-AMP UNIT

SCHMATIC DIAGRAMS (6/8)

1 2 3 4 5 6 7 8

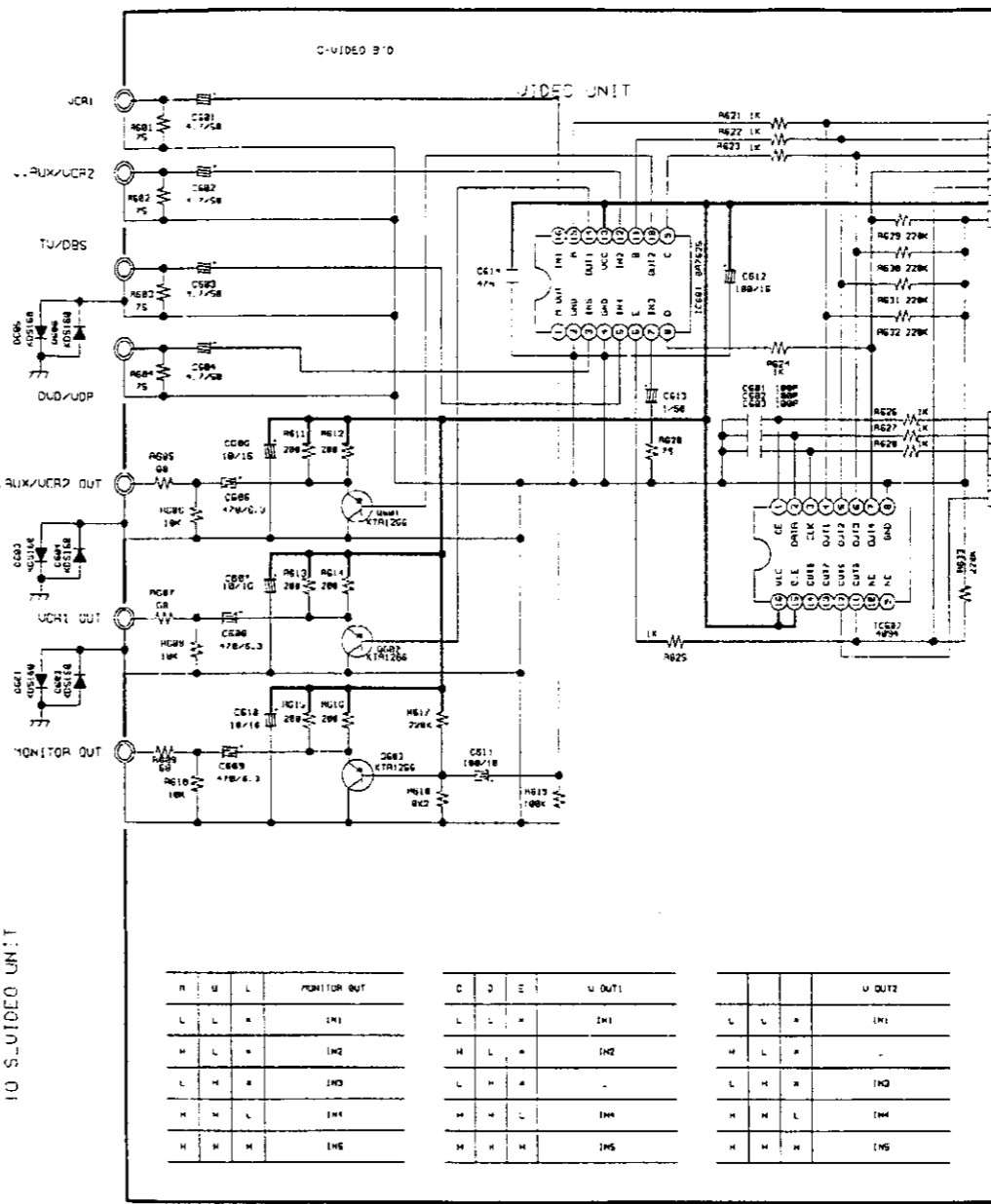
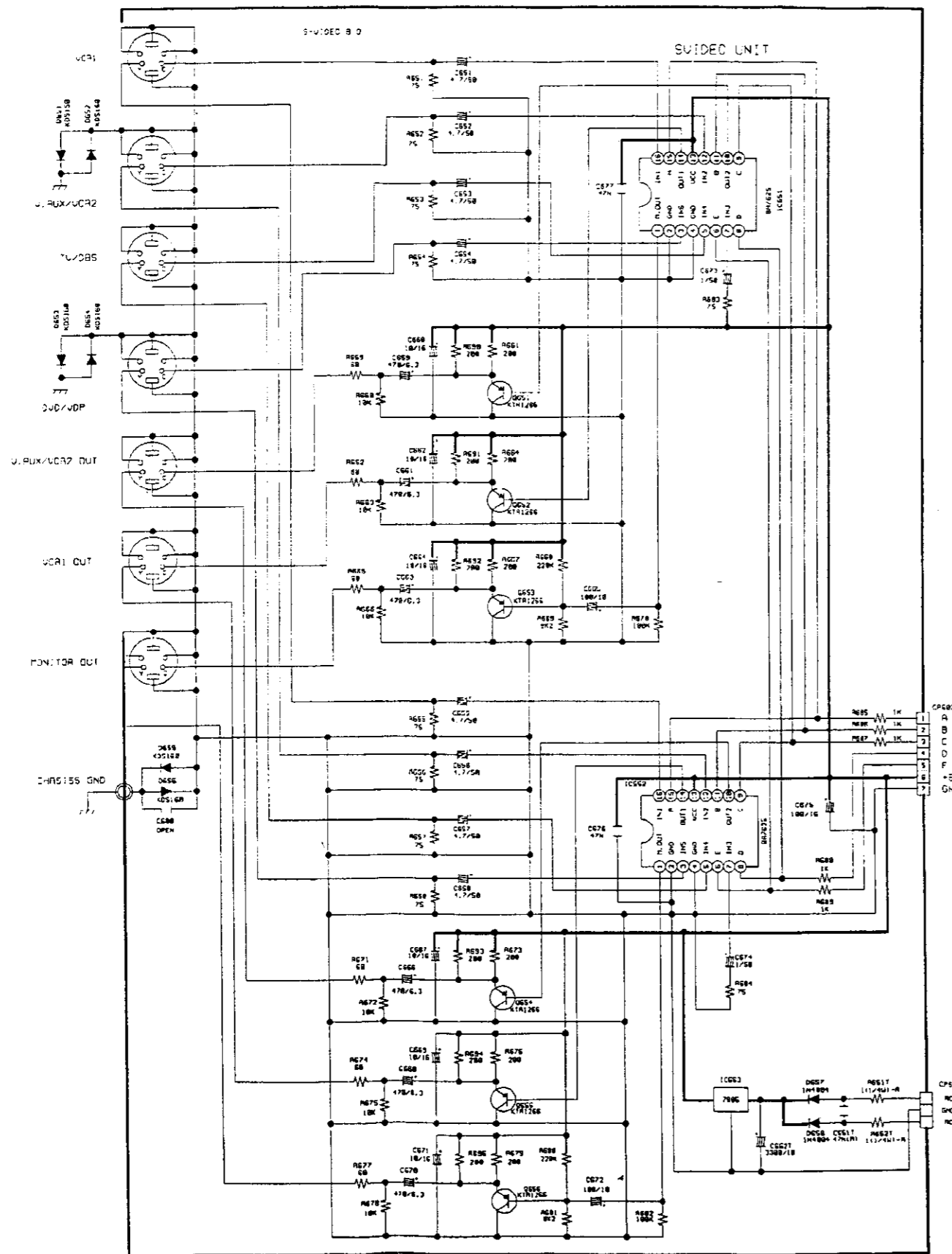
A

B

C

D

E



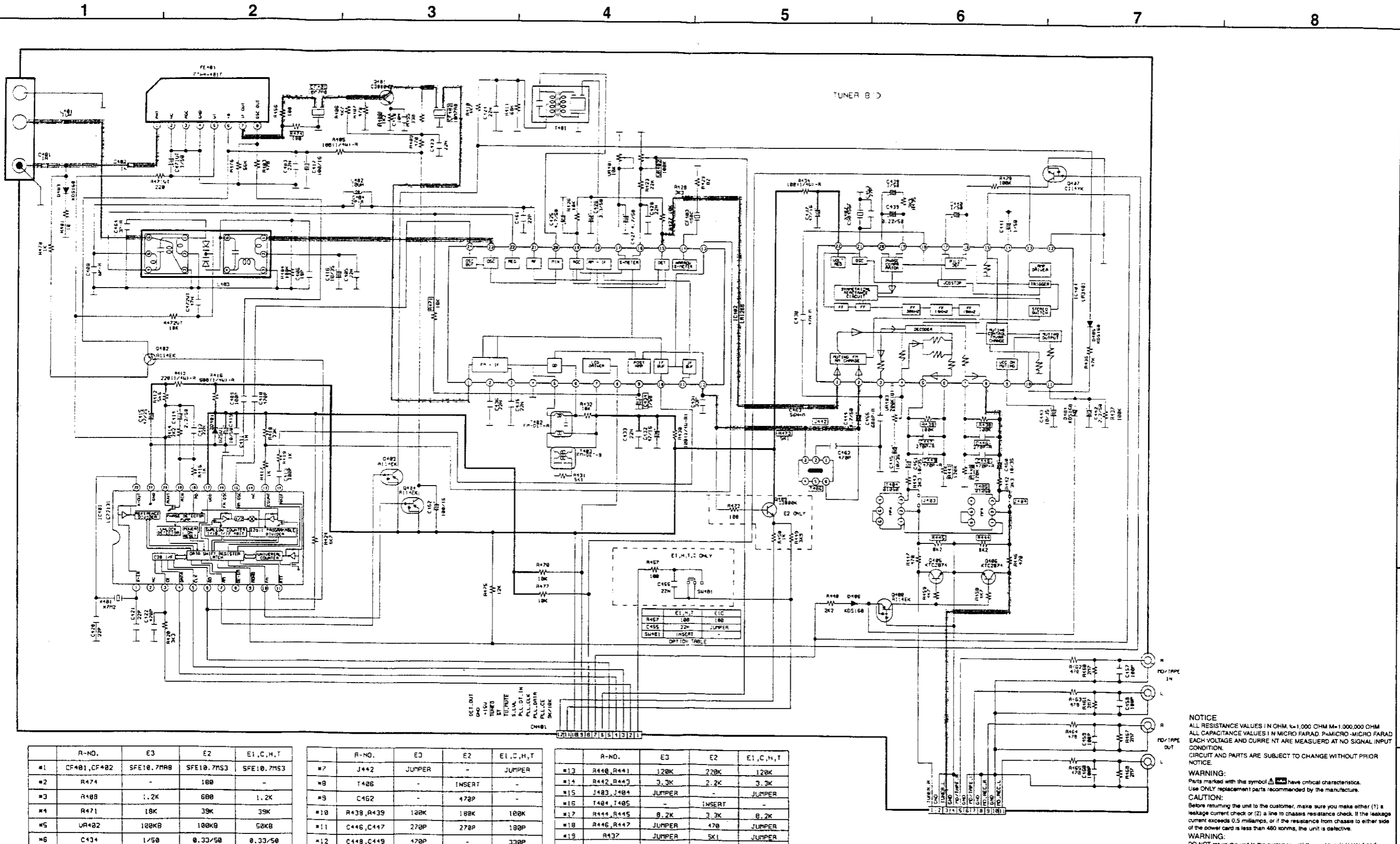
M	U	L	MONITOR OUT	C	D	E	V OUT1	V OUT2
L	L	H	INH	L	L	H	INH	INH
H	L	H	INH	H	L	H	INH	-
L	H	H	INH	L	H	H	-	INH
H	H	L	INH	H	H	L	INH	INH
H	H	H	INH	H	H	H	INH	INH

NOTICE
 ALL RESISTANCE VALUES IN OHM, k=1,000 OHM M=1,000,000 OHM
 ALL CAPACITANCE VALUES IN MICRO FARAD, P=MICRO-MICRO FARAD
 EACH VOLTAGE AND CURRENT ARE MEASURED AT NO SIGNAL INPUT
 CONDITION.
 CIRCUIT AND PARTS ARE SUBJECT TO CHANGE WITHOUT PRIOR
 NOTICE.

WARNING:
 Parts marked with this symbol have critical characteristics.
 Use ONLY replacement parts recommended by the manufacturer.
CAUTION:
 Before returning the unit to the customer, make sure you make either (1) a
 leakage current check or (2) a line to chassis resistance check. If the leakage
 current exceeds 0.5 milliamps, or if the resistance from chassis to either side
 of the power card is less than 480 kohms, the unit is defective.
WARNING:
 DO NOT return the unit to the customer until the problem is located and
 corrected.

SCHMATIC DIAGRAMS (6/8)
 VIDEO UNIT / S-VIDEO UNIT

SCHEMATIC DIAGRAMS (7/8)



NOTICE
 ALL RESISTANCE VALUES IN OHM, K=1,000 OHM M=1,000,000 OHM
 ALL CAPACITANCE VALUES IN MICRO-FARAD P=MICRO-MICRO-FARAD
 EACH VOLTAGE AND CURRENT ARE MEASURED AT NO SIGNAL INPUT
 CONDITION.
 CIRCUIT AND PARTS ARE SUBJECT TO CHANGE WITHOUT PRIOR
 NOTICE.

WARNING:
 Parts marked with this symbol have critical characteristics.
 Use ONLY replacement parts recommended by the manufacturer.

CAUTION:
 Before returning the unit to the customer, make sure you make either (1) a
 leakage current check or (2) a line to chassis resistance check. If the leakage
 current exceeds 0.5 millamps, or if the resistance from chassis to either side
 of the power cord is less than 480 kohms, the unit is defective.

WARNING:
 DO NOT return the unit to the customer until the problem is located and
 corrected.

— +B LINE
 ——— SIGNAL LINE

SCHEMATIC DIAGRAMS (7/8)
 TUNER UNIT

