

DENON

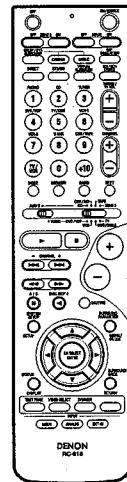
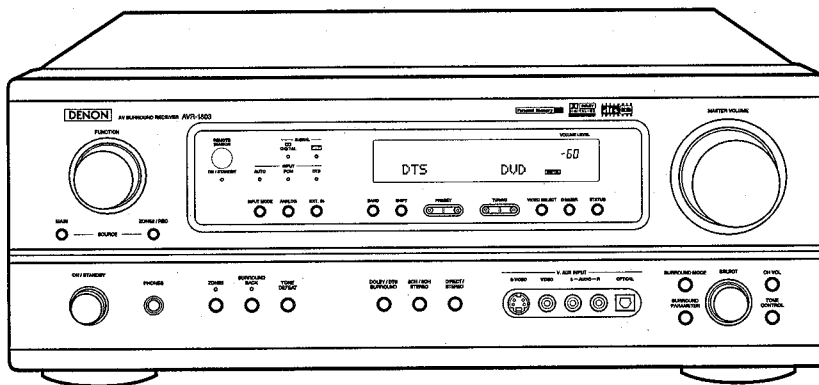
For U.S.A., Canada, Europe,
U.K., Asia, China, Hong Kong,
Taiwan R.O.C. & Korea model

Hi-Fi Component

SERVICE MANUAL

MODEL AVR-1803/883

AV SURROUND RECEIVER



• Some illustrations using in this service manual are slightly different from the actual set.

DENON, Ltd.

16-11, YUSHIMA 3-CHOME, BUNKYU-KU, TOKYO 113-0034 JAPAN
Telephone: 03 (3837) 5321

SAFETY PRECAUTIONS

The following check should be performed for the continued protection of the customer and service technician.

LEAKAGE CURRENT CHECK

Before returning the unit to the customer, make sure you make either (1) a leakage current check or (2) a line to chassis resistance check. If the leakage current exceeds 0.5 milliamps, or if the resistance from chassis to either side of the power cord is less than 460 kohms, the unit is defective.

SPECIFICATIONS

■ Audio section

• Power amplifier

Rated output:

Front:	80W+80W	(8 ohms, 20Hz~20kHz with 0.08% T.H.D.)
	110W+110W	(6 ohms, 1kHz with 0.7% T.H.D.) (U.S.A., Canada, Europe, U.K. Models)
	130W+130W	(6 ohms, EIAJ *) (Asia Model)
Center:	80W	(8 ohms, 20Hz~20kHz with 0.08% T.H.D.)
	110W	(6 ohms, 1kHz with 0.7% T.H.D.) (U.S.A., Canada, Europe, U.K. Models)
	130W	(6 ohms, EIAJ *) (Asia Model)
Surround:	80W+80W	(8 ohms, 20Hz~20kHz with 0.08% T.H.D.)
	110W+110W	(6 ohms, 1kHz with 0.7% T.H.D.) (U.S.A., Canada, Europe, U.K. Models)
	130W+130W	(6 ohms, EIAJ *) (Asia Model)
Surround Back:	80 W	(8 ohms , 20 Hz ~ 20 kHz with 0.08% T.H.D.)
	110 W	(6 ohms , 1 kHz with 0.7% T.H.D.)
	130W	(6 ohms, EIAJ *) (Asia Model)

Dynamic power:

100 W x 2 ch	(8 ohms)
145 W x 2 ch	(4 ohms)
170 W x 2 ch	(2 ohms)

Output terminals:

Front, Center, Surround:	6 ~ 16 ohms
Surround Back: A or B	6 ~ 16 ohms
A + B	12 ~ 16 ohms

Input sensitivity / input impedance:

200 mV / 47 kohms

Frequency response:

10 Hz ~ 100 kHz: +1, -3 dB (DIRECT mode)

S/N:

100 dB (IHF-A weighted) (DIRECT mode)

• Phone equalizer (PHONE input — REC OUT)

Input sensitivity:

2.5 mV

RIAA deviation:

±1 dB (20 Hz to 20 kHz)

Signal to noise ratio:

74 dB (A weighting, with 5 mV input)

Rated output / Maximum output:

150 mV / 7 V

Distortion factor:

0.03% (1 kHz, 3 V)

■ Video section

• Standard video jacks

Input / output level and impedance:

1 Vp-p, 75 ohms

Frequency response:

5 Hz ~ 10 MHz — +1, -3 dB

• S-video jacks

Input / output level and impedance:

Y (brightness) signal — 1 Vp-p, 75 ohms

C (color) signal — 0.286 Vp-p, 75 ohms

Frequency response:

5 Hz ~ 10 MHz — +1, -3 dB

• Color component video jacks

Input / output level and impedance:

Y (brightness) signal — 1 Vp-p, 75 ohms

P_B/C_B (blue) signal — 0.7 Vp-p, 75 ohms

P_R/C_R (red) signal — 0.7Vp-p, 75 ohms

Frequency response:

5 Hz ~ 27 MHz — +1, -3 dB

* EIAJ: It is the standard which JEITA (Japan Electronics & Information Technology Industries Association) enacted.

■ Tuner section

Receiving Range:	[FM] (note: μV at 75 ohms, 0 dBf= 1×10^{-15} W)	[AM]
U.S.A. & Canada Models:	87.50 MHz ~ 107.90 MHz	520 kHz ~ 1710 kHz
Europe & U.K. Models:	87.50 MHz ~ 108.00 MHz	522 kHz ~ 1611 kHz
Asia Model:	87.50 MHz ~ 107.90 MHz (0.2 MHz steps)	520 kHz ~ 1710 kHz (10 kHz steps)
	87.50 MHz ~ 108.00 MHz (0.05 MHz steps)	522 kHz ~ 1611 kHz (9 kHz steps)
Usable Sensitivity:	1.0 μV (11.2 dBf)	18 μV
50 dB Quieting Sensitivity:	MONO 1.6 μV (15.3 dBf)	
	STEREO 23 μV (38.5 dBf)	
S/N (IHF-A):	MONO 80 dB (IHF-A weighted)	
	STEREO 75 dB (IHF-A weighted)	
Total Harmonic Distortion (at 1 kHz):	MONO 0.15% (1kHz)	
	STEREO 0.3% (1kHz)	

■ General

Power supply:	AC 120 V, 60 Hz (U.S.A. & Canada Models)
	AC 230 V, 50 Hz (Europe & U.K. Models)
	AC 115/230 V, 50/60 Hz (Asia Model)
Power consumption:	4.5 A (U.S.A. & Canada Models)
	260 W (Europe, U.K. & Asia Models)
	1 W Max. (Standby)
Maximum external dimensions:	434 (W) x 171 (H) x 417 (D) mm (17-3/32" x 6-47/64" x 16-27/64")
Mass:	11.7 kg (25 lbs 6 oz)

■ Remote control unit **RC-916 (U.S.A. & Canada Models)** **RC-917 (Europe, U.K. & Asia Models)**

Batteries:	R6P/AA Type (two batteries)
External dimensions:	55 (W) x 225 (H) x 34.5 (D) mm (2-11/64" x 8-55/64" x 1-9/64")
Mass:	165 g (Approx. 5.8 oz) (including batteries)

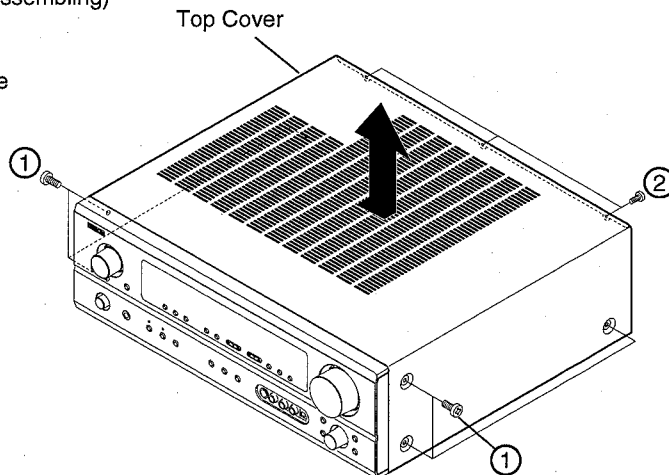
* For purposes of improvement, specifications and design are subject to change without notice.

DISASSEMBLY

(Follow the procedure below in the reverse order when reassembling)

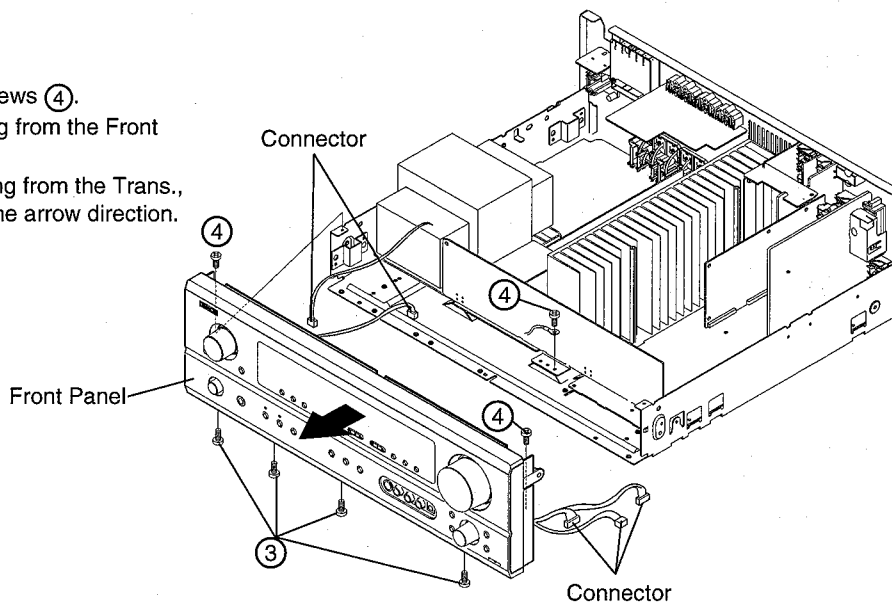
1. Top Cover

Remove 6 screws ① and 3 screws ②, then detach the Top Cover to the arrow direction.



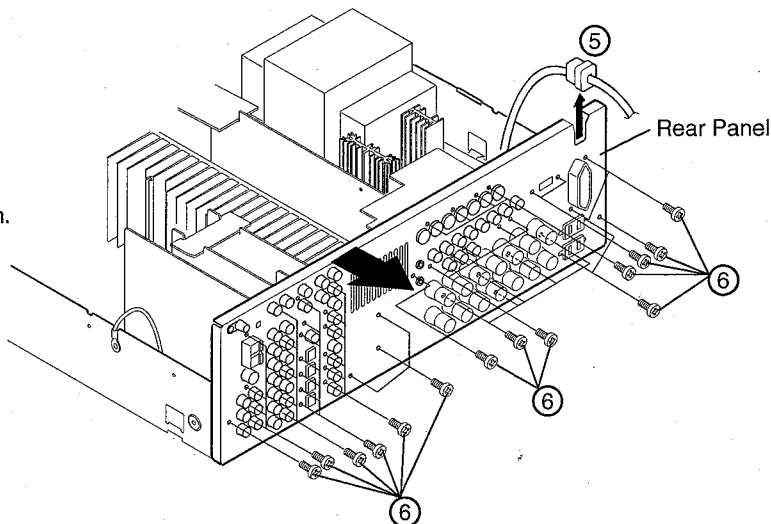
2. Front Panel

- (1) Remove 4 screws ③ and 3 screws ④.
- (2) Disconnect 4 connectors coming from the Front Panel side.
- (3) Disconnect the connector coming from the Trans., and detach the Front Panel to the arrow direction.



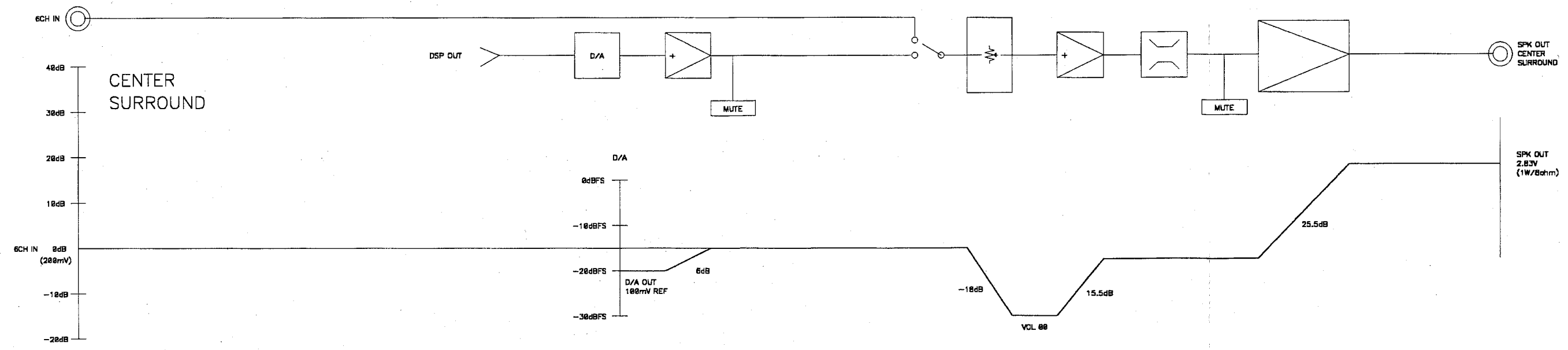
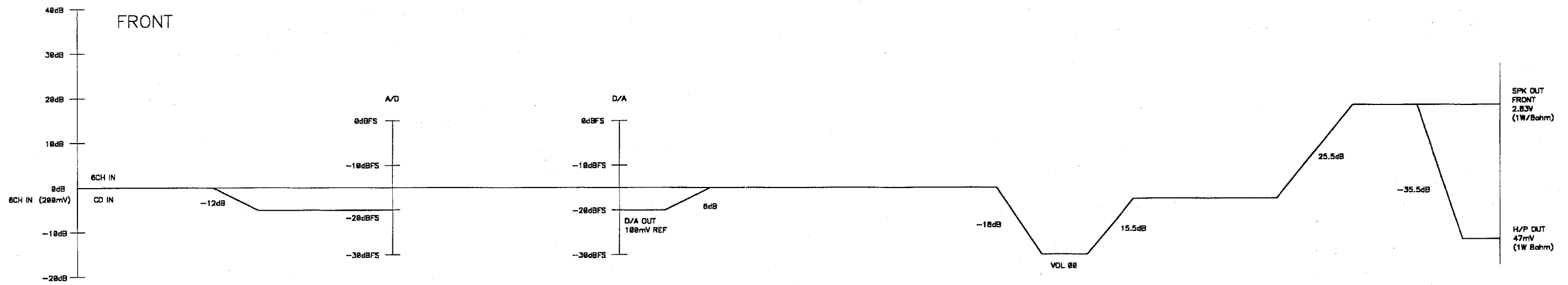
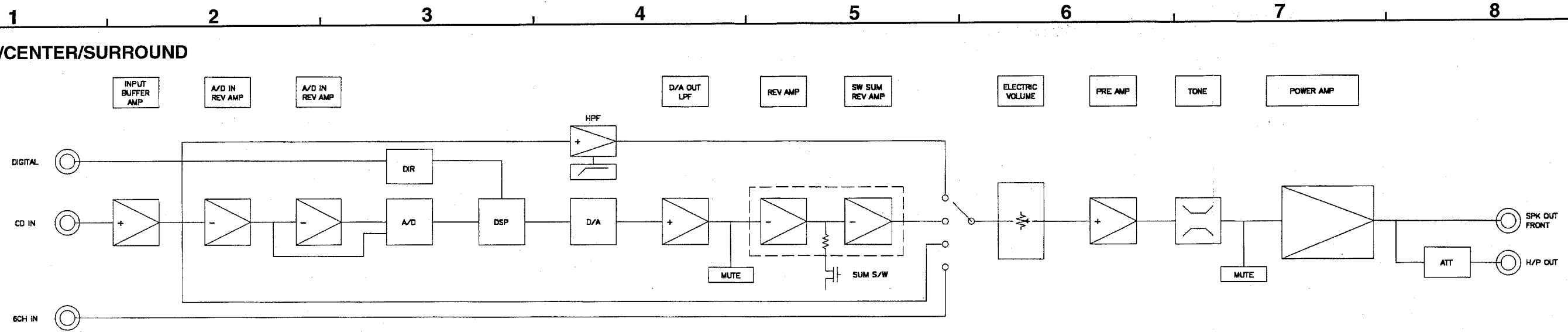
3. Rear Panel

- (1) Take off the AC cord ⑤.
- (2) Remove screws ⑥.
(44 pieces for U.S.A & Canada models)
(41 pieces for Europe model)
(43 pieces for Asia model)
- (3) Detach the Rear Panel to the arrow direction.



LEVEL DIAGRAMS

FRONT/CENTER/SURROUND

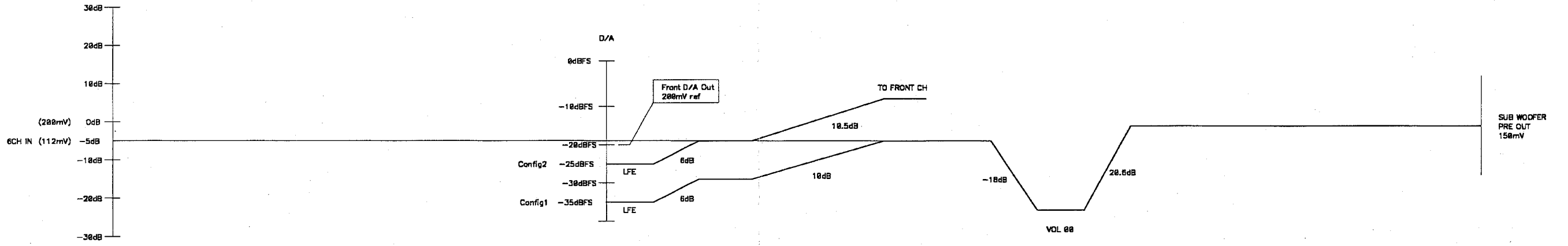
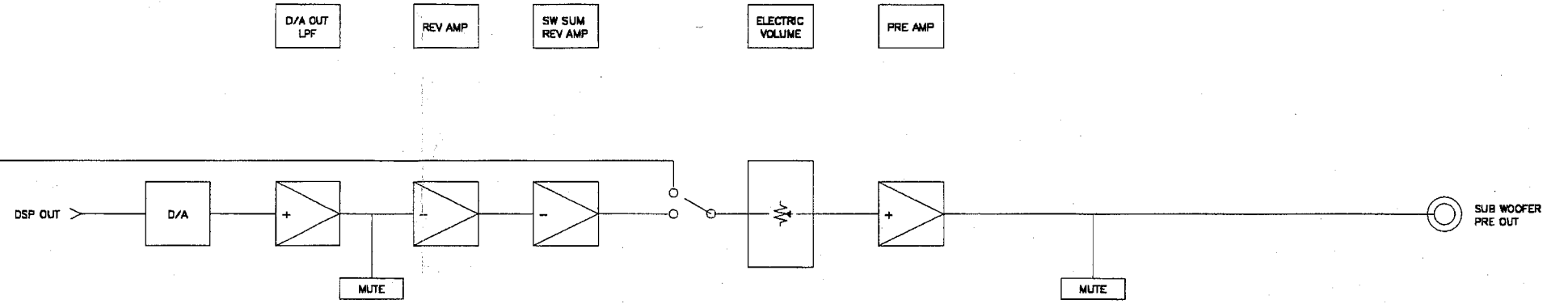


A
B
C
D
E

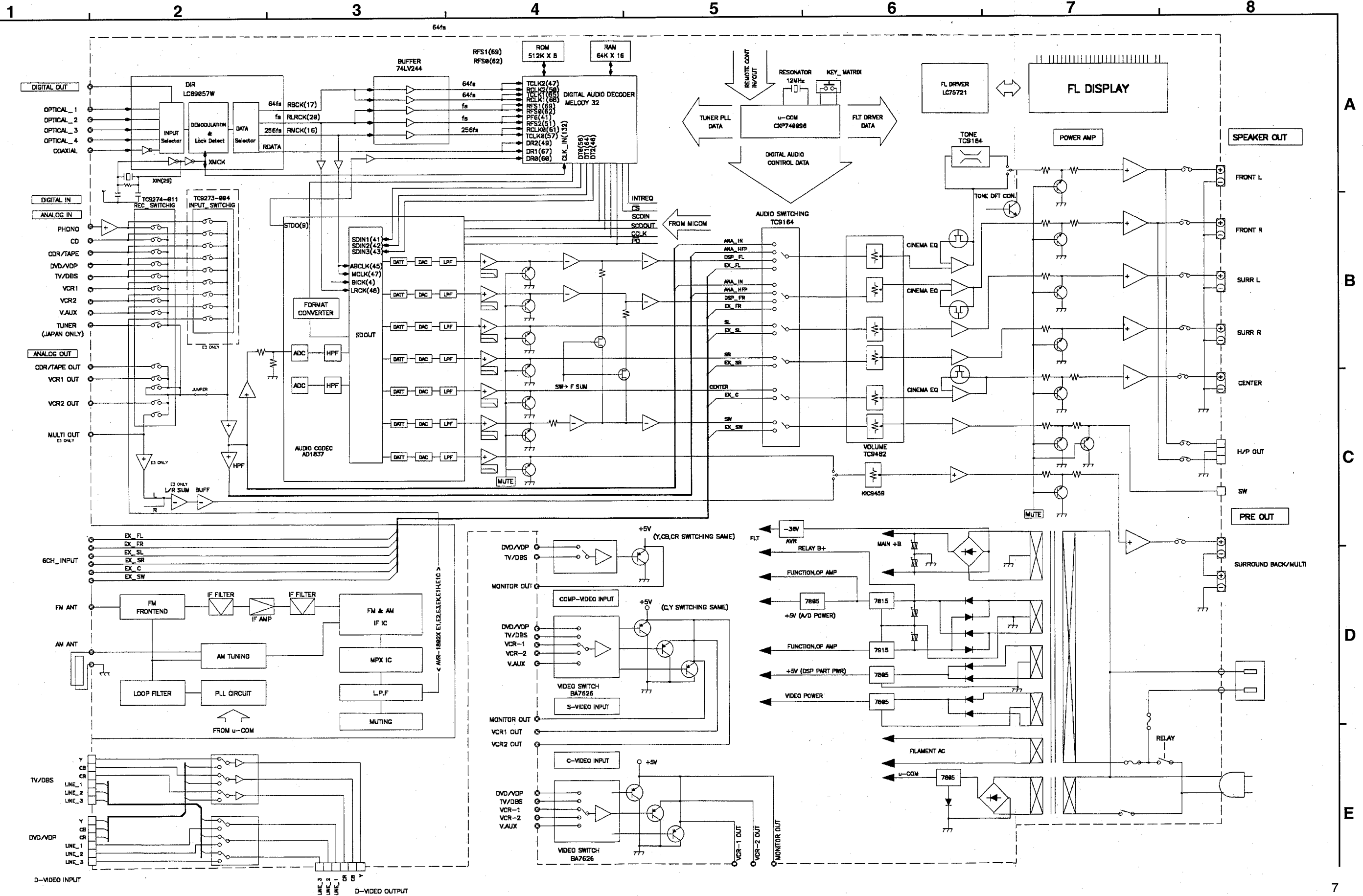
SUB WOOFER

SUB_WOOFER

6CH INPUT



BLOCK DIAGRAM

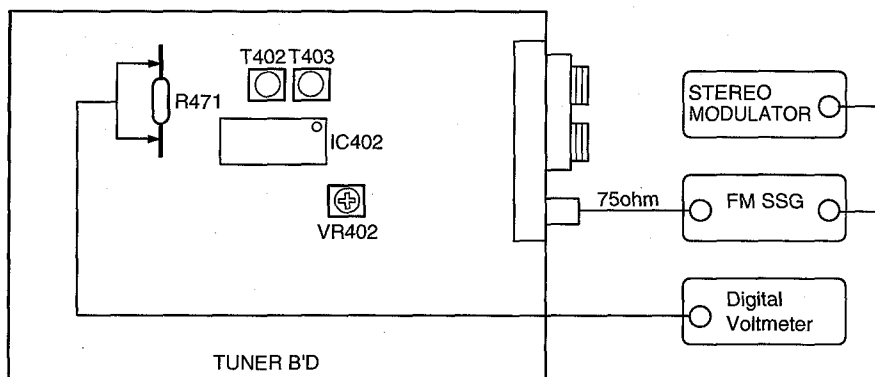


ADJUSTMENT

Tuner Section

CONNECTION DIAGRAM OF MEASURING INSTRUMENTS

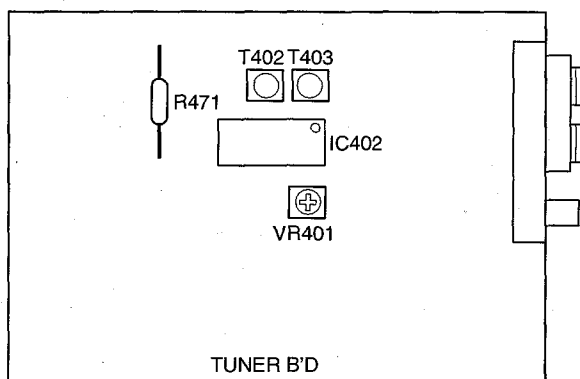
● FM



FM ALIGNMENT

Step	Alignment Item	Tuning Frequency Setting	Input				Output		Adjustment		
			Type	Frequency	Input Level	Modulation	Coupling	Type	Connect to	Points	Adjust to
1	Center Adjustment	98.1MHz (98.0MHz)	FM SSG	98.1MHz	60dBμ	Mono 1kHz 100%	Antenna Terminal	Digital Voltmeter	R471	T402	± 50mV
2	Distortion	98.1MHz (98.0MHz)	FM SSG	98.1MHz	60dBμ	Mono 1kHz 100%	Antenna Terminal	Distortion Meter	Output Terminal (L)	T403	Minimum Distortion
3	Repeat Steps 1 and 2										
4	Signal Level	98.1MHz (98.0MHz)	FM SSG	98.1MHz	20dBμ	OFF	Antenna Terminal	Light "TUNED" on FL Display		VR402	20 ± 1/2 dB

● AM



AM ALIGNMENT

Step	Alignment Item	Frequency	Input	Output		Adjustment		Remarks
				Type	Connect to	Points	Adjust to	
1	Signal Level	999 (1000) kHz	AM SSG	—	—	VR401	Light "TUNED" on FL Display	SSG OUTPUT 74dBμ (EMF)

Audio Section

Idling Current

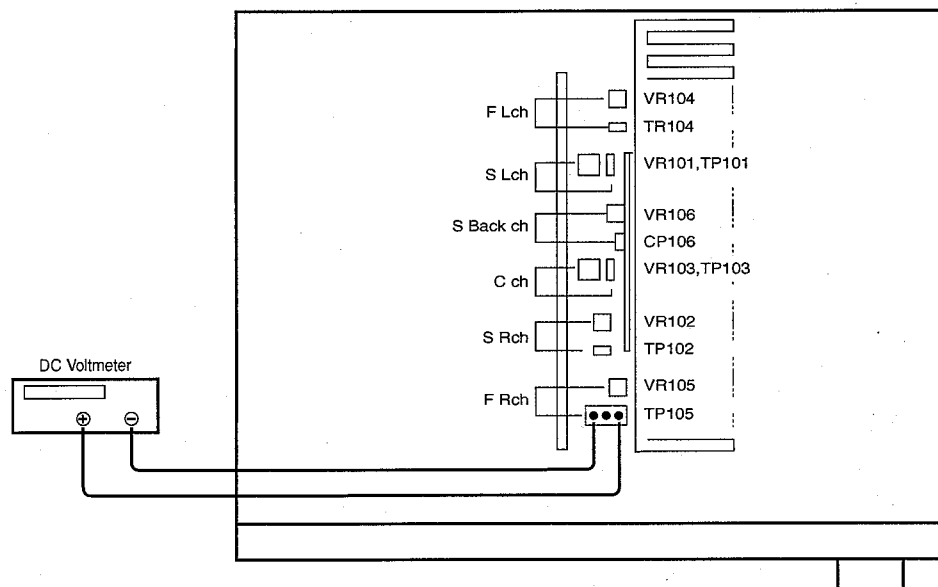
Required measurement equipment : DC Voltmeter

Preparation

- (1) Avoid direct blow from an air conditioner or an electric fan, and adjust the unit at normal room temperature 15 °C ~ 30 °C (59 °F ~ 86 °F).
- (2) Presetting
 - POWER (Power source switch) → OFF
 - SPEAKER (Speaker terminal) → No load (Do not connect speaker, dummy resistor, etc.)

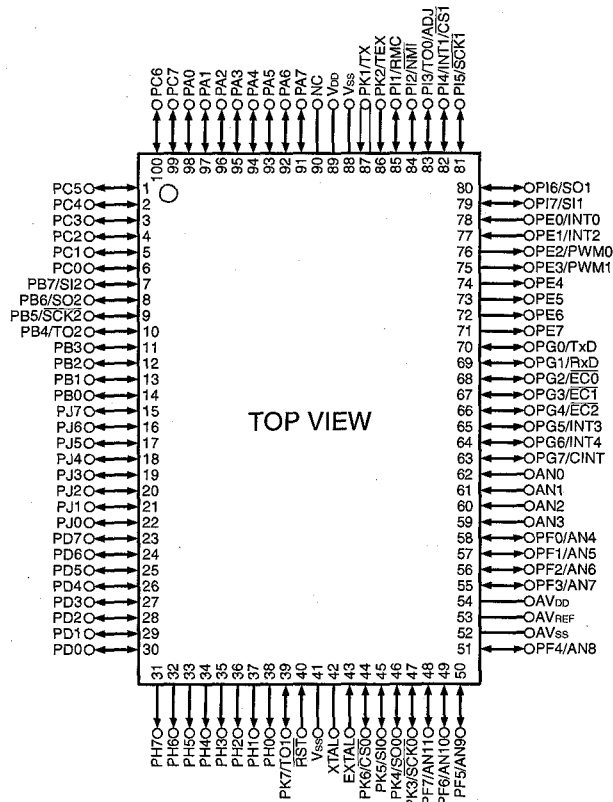
Adjustment

- (1) Remove top cover and set VR101, VR102, VR103, VR104, VR105 on Amp. Unit, VR106 on SURR.-BACK ch Amp. Unit at full counterclockwise (\odot) position.
- (2) Connect DC Voltmeter to test points (FRONT-Lch: TP104, FRONT-Rch: TP105, CENTER ch: TP103, SURROUND-Lch: TP101, SURROUND-Rch: TP102, SURROUND-BACK ch: CP106).
- (3) Connect power cord to AC Line, and turn power switch "ON".
- (4) Presetting.
 - MASTER VOLUME : "---" counterclockwise (\odot min.)
 - MODE : 6CH STEREO
 - FUNCTION : CD
- (5) Within 2 minutes after the power on, turn VR101 clockwise (\odot) to adjust the TEST POINT voltage to 1.5 mV \pm 0.5 mV DC.
- (6) After 10 minutes from the preset above, turn VR101 to set the voltage to 2.5 mV \pm 0.5 mV DC.
- (7) Adjust the Variable Resistors of other channels in the same way.



SEMICONDUCTORS

- IC's
- CXP740096 (IC201)



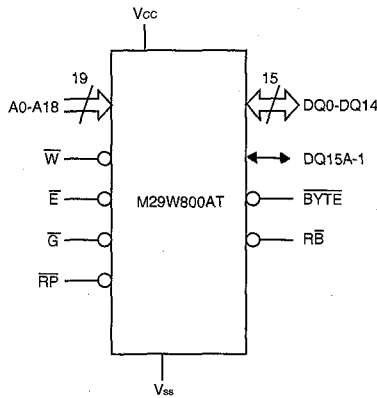
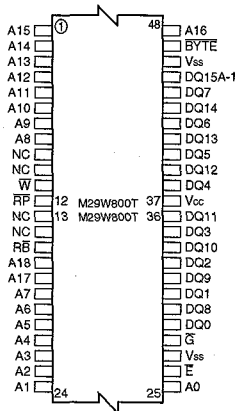
CXP740096 Terminal Function

Pin No.	Pin Name	I/O	Function
1	9274 STB	O	TC9274 CONTROL
2	9274 73 9164 CLK	O	TC9274/TC9273/TC9164 CONTROL
3	9274 73 9164 DAT	O	TC9274/TC9273/TC9164 CONTROL
4	FRONT MUTE	O	FRONT MUTE
5	9273 CE	O	TC9273 CONTROL
6	ERR MUTE	O	ERR MUTE
7	ERR MUTE OFF	O	ERR MUTE OFF
8	89057 AUDIO	I	LC89057 CONTROL
9	89057 EMPHA	I	LC89057 CONTROL
10	SW SUM	O	SW SUMMING CONTROL
11	M32 SDIN	I	DATA INPUT FROM MELODY32
12	89057 SDIN	I	DATA INPUT FROM LC89057
13	EPROM RESET	O	EPROM RESET
14	89057 RESET	O	LC89057 RESET
15	M32 CS	O	MELODY32 CS
16	M32 SDOUT	O	MELODY32 CONTROL DATA
17	89057 CE	O	LC89057 CE
18	89057 1837 SDOUT	O	CONTROL DATA
19	89057 1837 SCLK	O	CONTROL CLOCK
20	1837 RESET	O	CODEC RESET
21	9164 CE	O	TC9164 CONTROL
22	SW MUTE	O	SW MUTE
23	RELAY SPK B	O	SURROUND BACK RELAY

Pin No.	Pin Name	I/O	Function
24	RELAY SPK A	O	FRONT RELAY
25	RELAY SURR	O	SURROUND RELAY
26	RELAY CNT	O	CENTER RELAY
27	RELAY H/P	O	H/P RELAY
28	FUNC UP	I	ENCODER INPUT(FUNCTION)
29	H/P DETECT	I	H/P DETECT
30	FUNC DOWN	I	ENCODER INPUT(FUNCTION)
31	NC	—	
32	CNT MUTE	O	CENTER MUTE
33	FRONT MUTE	O	FRONT MUTE
34	SURR MUTE	O	SURROUND MUTE
35	NC	—	
36	NC	—	
37	NC	—	
38	FL DRV RESET	O	LC75721NE RESET
39	RELAY POWER	O	POWER RELAY
40	RESET	I	RESET
41	GND	I	
42	XTAL	—	
43	EXTAL	—	
44	FL DRV CE	O	LC75721NE CE
45	FL DRV DATA	O	LC75721NE DATA
46	FL DRV/2090 CLK	O	CONTROL CLOCK
47	2090 DATA	O	BU2090F DATA
48	VOL DOWN	I	ENCODER INPUT(VOLUME)
49	VOL UP	I	ENCODER INPUT(VOLUME)
50	SEL DOWN	I	ENCODER INPUT(SELECT)
51	SEL UP	I	ENCODER INPUT(SELECT)
52	AVss	—	
53	VREF	—	
54	AVDD	—	
55	NC	—	
56	GND	—	
57	STEP OPT	I	AREA SELECT
58	SET OPT	I	MODEL SELECT
59	GND	—	
60	KEY IN3	I	KEY INPUT
61	KEY IN2	I	KEY INPUT
62	KEY IN1	I	KEY INPUT
63	9K/10K STEP	I	TUNER STEP SELECT
64	PROTECT	I	PROTECTION
65	89057 INT	I	LC89057 INTERUPT
66	M32 SCLK	O	MELODY32 CLOCK
67	1837 CE	O	CODEC CE
68	M32 RESET	O	MELODY32 RESET
69	NC	—	
70	STBY LED	O	STANDBY LED
71	NC	—	
72	NC	—	
73	NC	—	
74	NC	—	
75	SURR BACK MUTE	O	SURROUND BACK MUTE
76	KIC9459 CE	O	KIC9459 CONTROL

Pin No.	Pin Name	I/O	Function
77	PWR DOWN	I	POWER DOWN DETECT
78	RDS CLK	O	TDA7330 CONTROL CLOCK
79	RDS DATA	O	TDA7330 CONTROL DATA
80	NC	—	
81	9184 CE	O	TC9184 CONTROL
82	M32 INTREQ	I/O	MELODY32 CONTROL
83	MULTI MUTE	O	MULTI MUTE
84	MULTI SB RLY	O	MULTI/SURROUND BACK :SELECTION RELAY
85	REMOCON	I	REMOTE CONTROL SIGNAL INPUT
86	GND	—	
87	GND	—	
88	Vss	—	
89	VDD	—	VDD BACK UP
90	NC	—	
91	TC9482 CE	O	TC9482 CONTROL
92	PLL DATA	O	PLL CONTROL
93	PLL CLK	O	PLL CONTROL
94	PLL DT IN	O	PLL CONTROL
95	TU MUTE	O	TUNER MUTE
96	STEREO	I	STEREO DETECT
97	TUNED	I	TUNED DETECT
98	PLL CE	O	PLL CONTROL
99	2090 CLK VIDEO	O	BU2090 CONTROL(VIDEO)
100	2090 DATA VIDEO	O	BU2090 CONTROL(VIDEO)

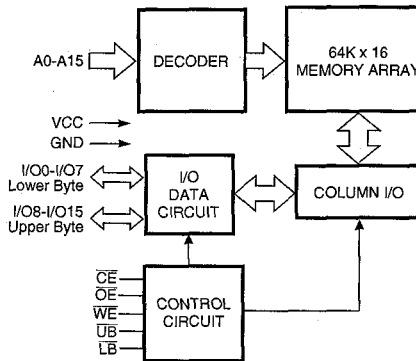
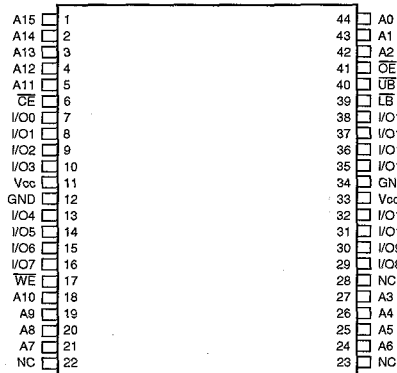
M29W800AT (IC805)



PIN DESCRIPTION

Symbol	Pin Name
A0-A18	Address Inputs
DQ0-DQ7	Data Input/Outputs, Command Inputs
DQ8-DQ14	Data Input/Outputs
DQ15A-1	Data Input/Output or Address Input
\bar{E}	Chip Enable
\bar{G}	Output Enable
\bar{W}	Write Enable
RP	Reset/Block Temporary Unprotect
RB	Ready/Busy Output
BYTE	Byte/Word Organization
Vcc	Supply Voltage
Vss	Ground
NC	No Connected Internally
DU	Don't Use as Internally Connected

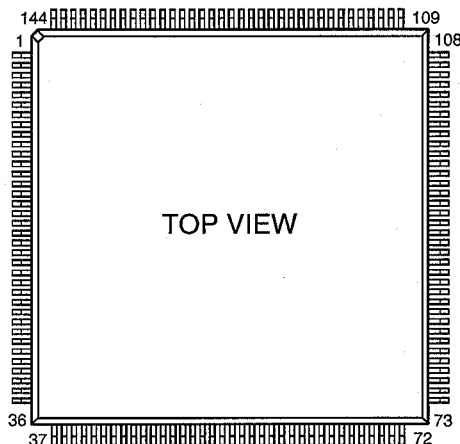
IS61LV6416 (IC806)



PIN DESCRIPTION

Symbol	Pin Name
A0-A15	Address inputs
I/O0-I/O15	Data Inputs/Outputs
\bar{CE}	Chip Enable Input
\bar{OE}	Output Enable Input
\bar{WE}	Write Enable Input
LB	Lower-byte Control (I/O0-I/O7)
UB	Upper-byte Control (I/O8-I/O15)
NC	No Connection
Vcc	Power
GND	Ground

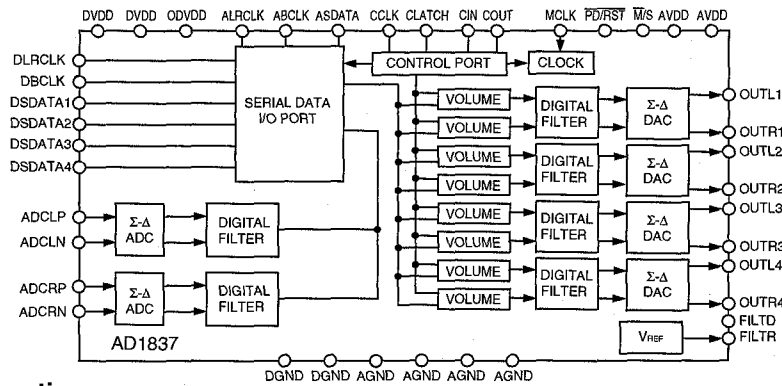
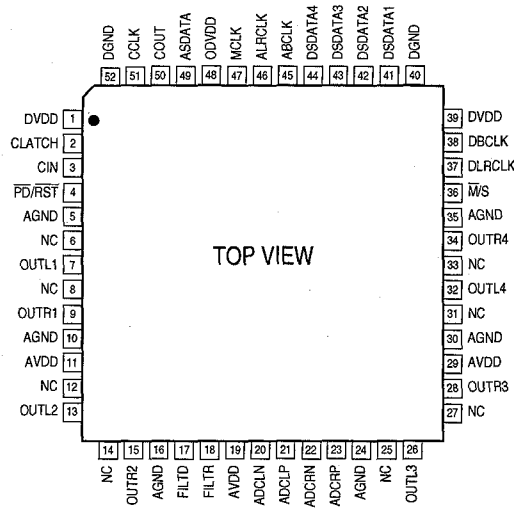
MELODY32 (IC804)



MELODY32 Terminal Function

Pin No.	Pin Name	Pin No.	Pin Name	Pin No.	Pin Name	Pin No.	Pin Name	Pin No.	Pin Name	Pin No.	Pin Name
1	D14	25	V _{DDEXT}	49	DR2	73	RESET	97	A11	121	WR
2	D15	26	HACK	50	RCLK2	74	TDO	98	A12	122	RD
3	HAD0	27	HCMS	51	RFS2	75	TDI	99	A13	123	D0
4	HAD1	28	HCIOMS	52	RXD	76	TMS	100	V _{DDEXT}	124	D1
5	GND	29	GND	53	TXD	77	GND	101	A14	125	D2
6	HAD2	30	HALE	54	GND	78	TCK	102	A15	126	D3
7	HAD3	31	HRD	55	GND	79	TRST	103	A16	127	V _{DDINT}
8	HAD4	32	HWR	56	DT0	80	GND	104	A17	128	D4
9	HAD5	33	GND	57	TCLK0	81	EMU	105	GND	129	GND
10	HAD6	34	PF0	58	V _{DDINT}	82	V _{DDINT}	106	A18	130	CLKOUT
11	HAD7	35	PF1	59	TF50	83	OPMODE	107	A19	131	V _{DDEXT}
12	HAD8	36	PF2	60	DR0	84	A0	108	A20	132	CLKIN
13	V _{DDEXT}	37	PF3	61	RCLK0	85	A1	109	A21	133	XTAL
14	HAD9	38	PF4	62	RFS0	86	A2	110	BGH	134	GND
15	HAD10	39	PF5	63	V _{DDEXT}	87	A3	111	BG	135	D5
16	GND	40	V _{DDEXT}	64	DT1	88	A4	112	BR	136	D6
17	HAD11	41	PF6	65	TCLK1	89	A5	113	BMS	137	D7
18	HAD12	42	PF7	66	TFS1	90	V _{DDEXT}	114	IOMS	138	D8
19	V _{DDINT}	43	TMR0	67	DR1	91	A6	115	MS0	139	D9
20	HAD13	44	TMR1	68	RCLK1	92	A7	116	MS1	140	D10
21	HAD14	45	TMR2	69	RFS1	93	A8	117	MS2	141	D11
22	HAD15	46	DT2	70	BMODE0	94	GND	118	V _{DDEXT}	142	D12
23	HA16	47	TCLK2	71	BMODE1	95	A9	119	MS3	143	V _{DDEXT}
24	HACK_P	48	TFS2	72	BYPASS	96	A10	120	ACK	144	D13

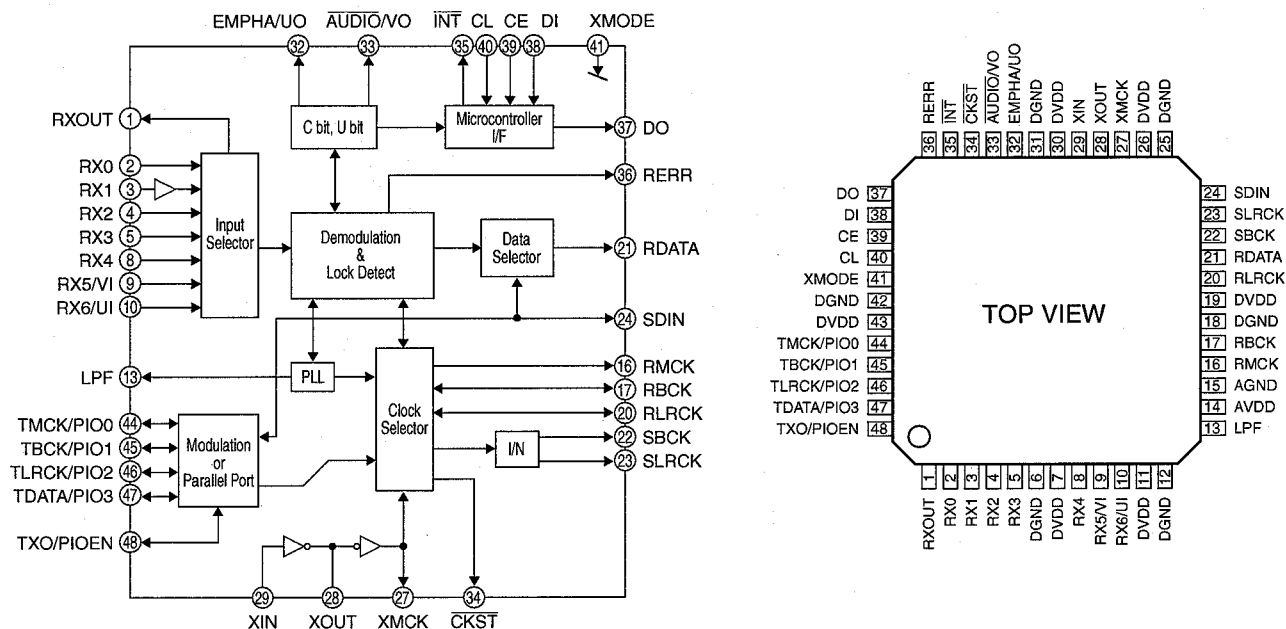
AD1837 (IC808)



AD1837 Terminal Function

Pin No.	Pin Name	Input/Output	Description
1,39	DVDD		Digital Power Supply. Connect to digital 5V supply.
2	CLATCH	I	Latch Input for Control Data
33	CIN	I	Serial Control Input
4	PD/RST	I	Power-Down/Reset
5,10,16,24,30,35	AGND		Analog Ground
6,12,25,31	NC		Not connected
7,13,26,32	OUTLx	O	DACx Left Channel Output
8,14,27,33	NC		Not connected
9,15,28,34	OUTRx	O	DACx Right Channel Output
11,19,29	AVDD		Analog Power Supply. Connect to analog 5V supply.
17	FILTD		Filter Capacitor Connection. Recommend 10μF/100nF.
18	FILTR		Reference Filter Capacitor Connection. Recommended 10μF/100nF.
20	ADCLN	I	ADC Left Channel Negative Input
21	ADCLP	I	ADC Left Channel Positive Input
22	ADCRN	I	ADC Right Channel Negative Input
23	ADCRP	I	ADC Right Channel Positive Input
36	M/S	I	ADC Master/Slave Select
37	DLRCLK	I/O	DAC LR Clock
38	DBCLK	I/O	DAC Bit Clock
40,52	DGND		Digital Ground
41-44	DSDATAx	I	DACx Input Data (Left and Right Supply)
45	ABCLK	I/O	ADC Bit Clock
46	ALRCLK	I/O	ADC LR Clock
47	MCLK	I	Master Clock Input
48	ADVDD		Digital Output Driver Power Supply
49	ASDATA	O	ADC Serial Data Output
50	COUT	O	Output for Control Data
51	CCLK	I	Control Clock Input for Control Data

LC89057W (IC807)



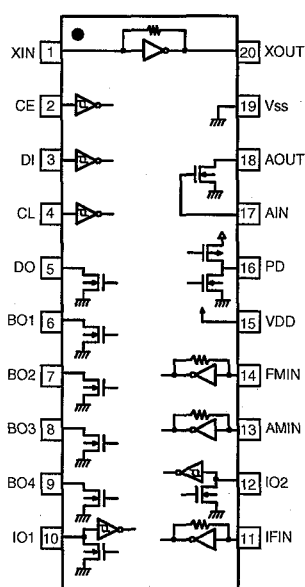
LC89057W Terminal Function

Pin No.	Pin Name	I/O	Function
1	RXOUT	O	Input bi-phase select data output terminal
2	RX0	I _S	TTL compatible digital data input terminal
3	RX1	I	Coaxial compatible amp built-in digital data input terminal
4	RX2	I _S	TTL compatible digital data input terminal
5	RX3	I _S	TTL compatible digital data input terminal
6	DGND	—	Digital GND
7	DVDD	—	Digital power
8	RX4	I _S	TTL compatible digital data input terminal
9	RX5/VI	I _S	TTL compatible digital data/Validity flag input terminal for modulation
10	RX6/UI	I _S	TTL compatible digital data/User data input terminal for modulation
11	DVDD	—	Digital power for PLL
12	DGND	—	Digital GND for PLL
13	LPF	O	PLL loop filter connecting terminal
14	AVDD	—	Analog power for PLL
15	AGND	—	Analog GND for PLL
16	RMCK	O	RMCK clock output terminal (256fs, 512fs, XIN, VCO)
17	RBCK	O/I	RBCK clock in/output terminal (64fs)
18	DGND	—	Digital GND
19	DVDD	—	Digital power
20	RLRCK	O/I	RLRCK clock in/output terminal (fs)
21	RDATA	O	Serial audio data output terminal
22	SBCK	O	SBCK clock output terminal (32fs, 64fs, 128fs)
23	SLRCK	O	SLRCK clock output terminal (fs/2, fs, 2fs)
24	SDIN	I _S	Serial audio data input terminal
25	DGND	—	Digital GND
26	DVDD	—	Digital power
27	XMCK	O	Osc. amp output terminal

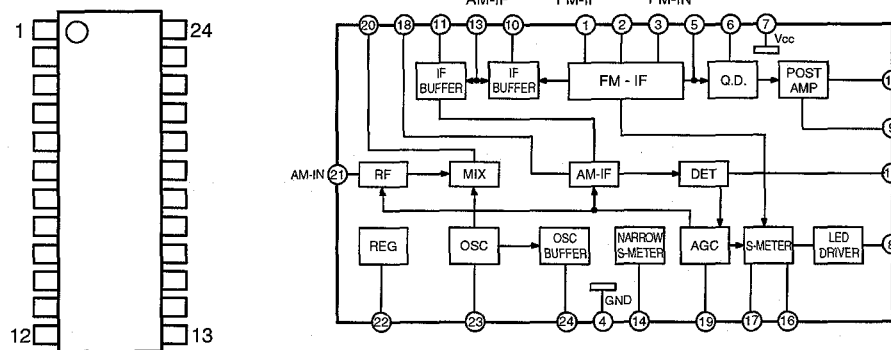
Pin No.	Pin Name	I/O	Function
28	XOUT	O	X'tal osc. connecting output terminal
29	XIN	I	X'tal osc. connection, external clock input terminal (24.576MHz or 12.288MHz)
30	DVDD	—	Digital power
31	DGND	—	Digital GND
32	EMPHA/UO	I/O	Emphasis information/U-data output/Chip address setting terminal
33	AUDIO/VO	I/O	Non-PCM detect/V-flag output/ Chip address setting terminal
34	CKST	I/O	Clock switch transition period output/Demodulation master or slave function switching terminal
35	INT	I/O	Interrupt output for μ com (Interrupt factor selectable)/Modulation or general I/O switching terminal
36	REERR	O	PLL lock error, data error flag output
37	DO	O	μ com I/F, read out data output terminal (3-state)
38	DI	I _s	μ com I/F, write data input terminal
39	CE	I _s	μ com I/F, chip enable input terminal
40	CL	I _s	μ com I/F, clock input terminal
41	XMODE	I _s	System reset input terminal
42	DGND	—	Digital GND
43	DVDD	—	Digital power
44	TMCK/PIO0	I/O	256fs system clock input for modulation/General I/O in/output terminal
45	TBCK/PIO1	I/O	64fs bit clock input for modulation/General I/O in/output terminal
46	TLRCK/PIO2	I/O	fs clock input for modulation/General I/O in/output terminal
47	TDATA/PIO3	I/O	Serial audio data input for modulation/General I/O in/output terminal
48	TXO/PIOEN	O/I	Modulation data output/ General I/O enable input terminal

* For latch-up countermeasure, perform each power supply ON/OFF in the same timing.

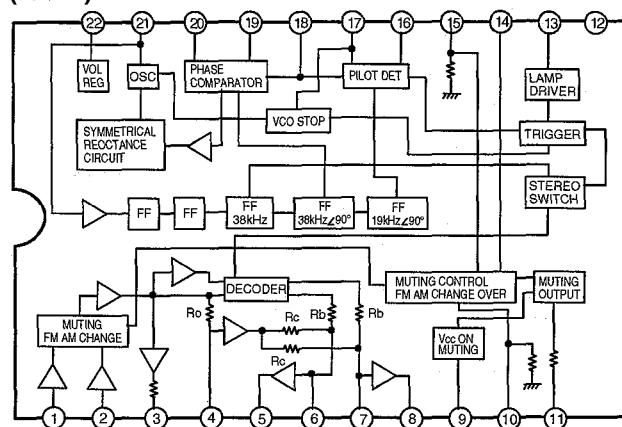
LC72131 (IC401)



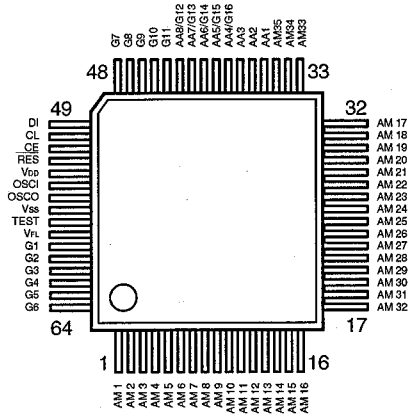
LA1266 (IC402)



LA3401 (IC403)



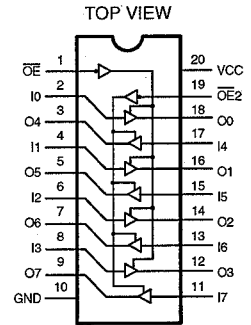
LC75721E (IC301)



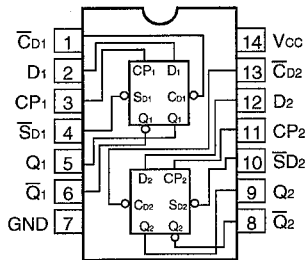
● LC75721E Terminal Function

Symbol	Function
V _{DD}	Power terminal +5V
V _{SS}	Power terminal GND
V _{FL}	Power terminal FL drive
DI	Serial data transfer terminal
CL	DI: Data
CE	CL: Clock
	CE: Chip enable
OSCI	External CR connecting terminal
OSCO	
RES	System reset terminal
AM1-AM35	Anode output terminal
AA1-AA3	
AA4/G16 AA5/G15 AA6/G14 AA7/G13 AA8/G12	
G1-G11	Grid output terminal
TEST	LSI test terminal

MM74LCX244 (IC809-811)



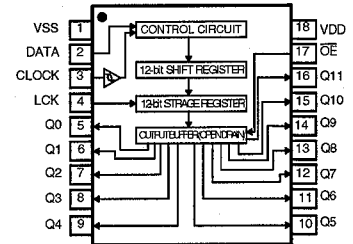
74LCX74 (IC821)



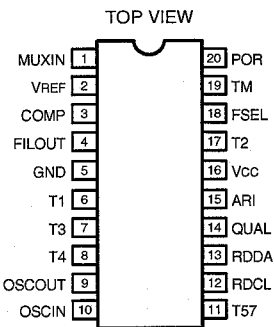
● Pin Descriptions

Pin Names	Description
D ₁ , D ₂	Data Inputs
CP ₁ , CP ₂	Clock Pulse Inputs
\overline{CD}_1 , \overline{CD}_2	Direct Clear Inputs
\overline{SD}_1 , \overline{SD}_2	Direct Set Inputs
Q ₁ , \overline{Q}_1 , Q ₂ , \overline{Q}_2	Outputs

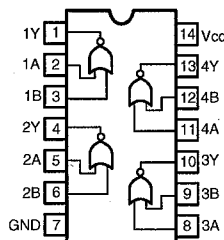
BU2090F (IC302, 602)



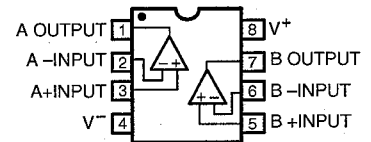
TDA7330BD (IC202)



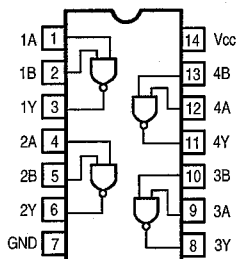
MM74LCX02 (IC813)



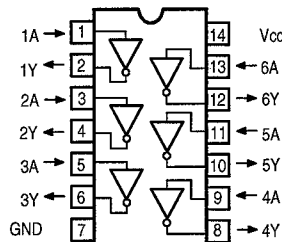
NJM2068MD
BA4510F



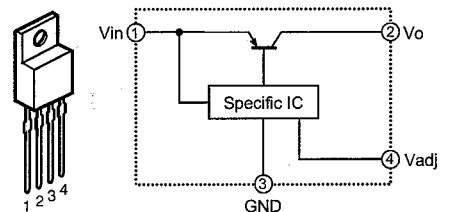
SN74LV00APW (IC814)



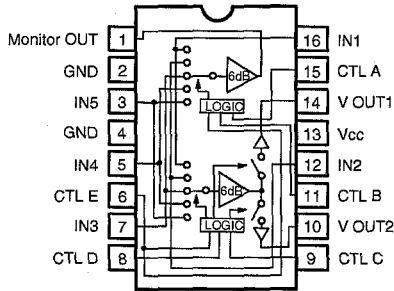
74HCU04 (IC803)



KIA78R05PI (IC663)



**BA7625 (IC605D)
BA7626 (IC652, 653, 601, 603
603D, 604D, 651, 654)**



Note 1: * mark means that feasible for either H or L.

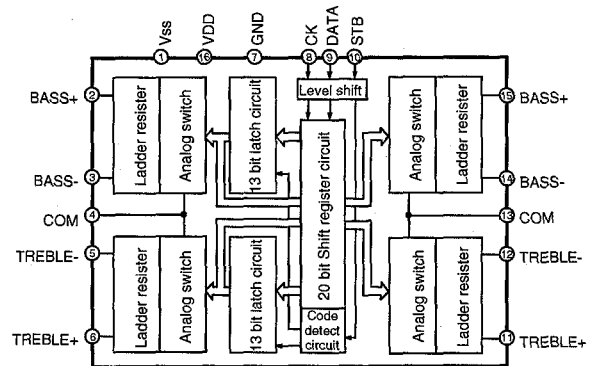
Note 2: Each input terminal is provided with sink chip clamp (BA7625). Each input terminal takes 20kohm at the end (BA7626).

A	B	E	MONITOR OUT
L	L	*	IN 1
H	L	*	IN 2
L	H	*	IN 3
H	H	L	IN 4
H	H	H	IN 5

C	D	E	V OUT 1
L	L	*	—
H	L	*	IN 2
L	H	*	IN 3
H	H	L	IN 4
H	H	H	IN 5

C	D	E	V OUT 2
L	L	*	IN 1
H	L	*	—
L	H	*	IN 3
H	H	L	IN 4
H	H	H	IN 5

TC9184AP (IC552)



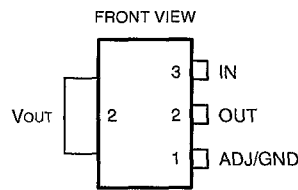
**KIA7806AP (IC602)
KIA7805AP (IC104, 103, 822)
KIA7815AP (IC101)
KIA7812AP (IC271)**



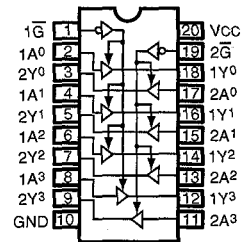
KIA7915PI (IC102)



**RC1117S25T (IC824)
RC1117S33ST (IC823)**

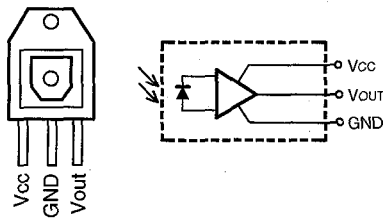


MM74HCT244 (IC812)

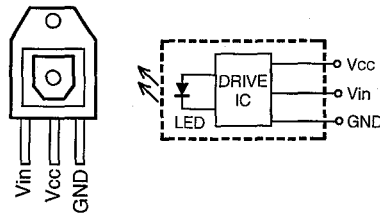


OPTICAL

**INPUT
GP1FA502RZ (IC801~803)**

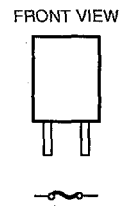


**OUTPUT
GP1FA502TZ (IC817)**



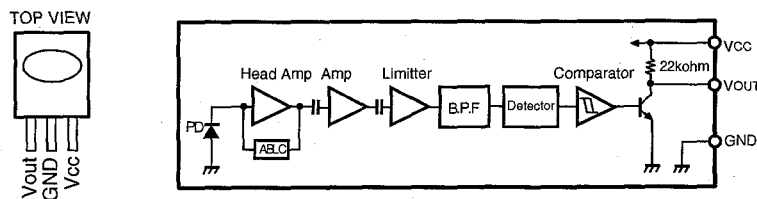
IC PROTECTOR

ICP-N15 (IC105)



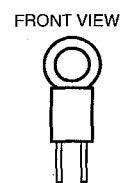
IR SENSOR

NJL64H380A(RMC301)



POSISTOR

P43T7D330BW16

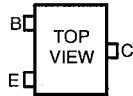


● TRANSISTORS

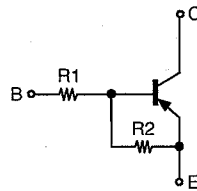
DTA114ES
DTC114TS
DTC114YS
DTC144ES



DTA114EK
DTA114YK
DTA144EK
DTC114EK
DTC114YK
DTC144EK

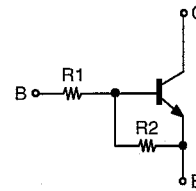


DTA Series



	R1	R2
DTA114EK	10kohm /Ω	10kohm /Ω
DTA114ES	10kohm /Ω	10kohm /Ω
DTA114YK	10kohm /Ω	47kohm /Ω
DTA144EK	47kohm /Ω	47kohm /Ω

DTC Series

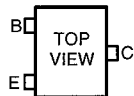


	R1	R2
DTC114EK	10kohm /Ω	10kohm /Ω
DTC114TS	10kohm /Ω	—
DTC114YK	10kohm /Ω	47kohm /Ω
DTC114YS	10kohm /Ω	47kohm /Ω
DTC144EK	47kohm /Ω	47kohm /Ω
DTC144ES	47kohm /Ω	47kohm /Ω

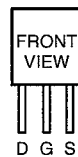
2SC1740S
2SC3199Y
KSA916Y
KSA992F
KSC1845F
KTA1266Y
KTA1268BL
KTC2874B
KTC3198Y
KTC3200BL



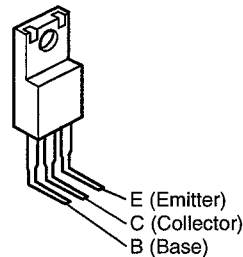
2SC2412K
KTC3880S



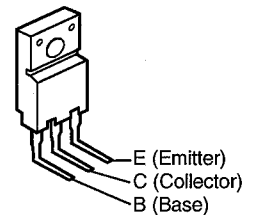
2SK117



2SD947F

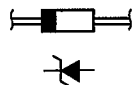


2SD3290Y
2SB1560Y

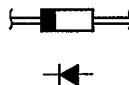


● DIODES (LED included)

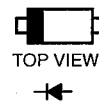
MTZJ3.3B
MTZJ5.1B
MTZJ6.8B
MTZJ7.5A
MTZJ8.2B
MTZJ11B
MTZJ18B
MTZJ20B



1N4007
1SS133



KDS160



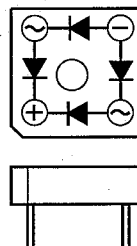
HL-50RDRF4T

TOP VIEW



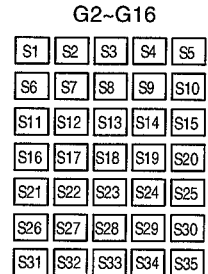
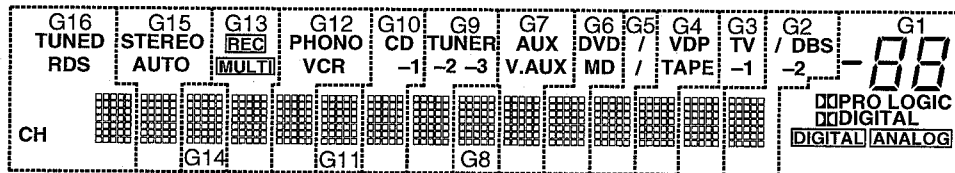
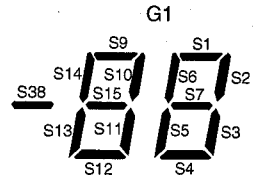
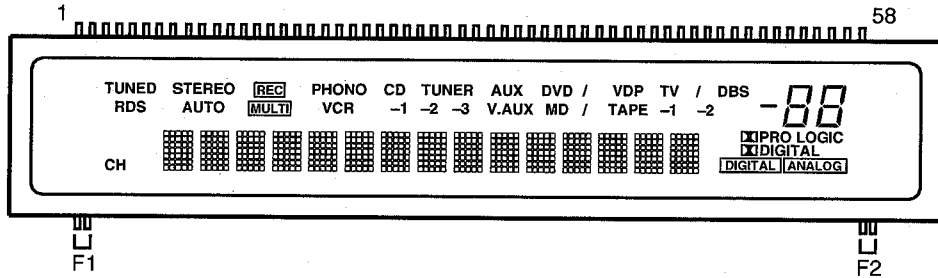
KBPC604

TOP VIEW



● FL DISPLAY

16-st-42GNK (FL301)



Pin Assignment

PIN NO.	1	2	3	4	5	6	7	8	9	10	11	12	13	14	15	16	17	18	19	20
CONNECTION	F1	F1	S1	S2	S3	S4	S5	S6	S7	S8	S9	S10	S11	S12	S13	S14	S15	S16	S17	S18
PIN NO.	21	22	23	24	25	26	27	28	29	30	31	32	33	34	35	36	37	38	39	40
CONNECTION	S19	S20	S21	S22	S23	S24	S25	S26	S27	S28	S29	S30	S31	S32	S33	S34	S35	S36	S37	S38
PIN NO.	41	42	43	44	45	46	47	48	49	50	51	52	53	54	55	56	57	58		
CONNECTION	G16	G15	G14	G13	G12	G11	G10	G9	G8	G7	G6	G5	G4	G3	G2	G1	F2	F2		

F1, F2 : Filament
G1-G16: Grid
S1-S38 : Anode

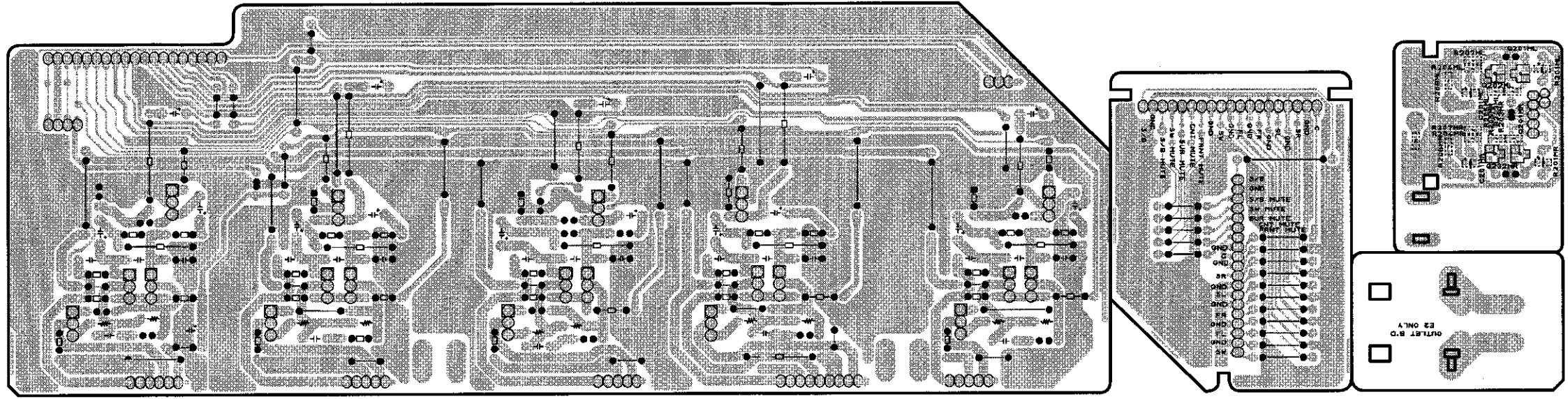
Anode & Grid Assignment

	G1	G2-G16		G1	G2-G16		G1	G2-G16		G1	G2-G16
S1	S1	S1	S10	S10	S10	S19	---	S19	S28	---	S28
S2	S2	S2	S11	S11	S11	S20	---	S20	S29	---	S29
S3	S3	S3	S12	S12	S12	S21	---	S21	S30	---	S30
S4	S4	S4	S13	S13	S13	S22	---	S22	S31	---	S31
S5	S5	S5	S14	S14	S14	S23	---	S23	S32	---	S32
S6	S6	S6	S15	S15	S15	S24	---	S24	S33	---	S33
S7	S7	S7	S16	---	S16	S25	---	S25	S34	---	S34
S8	---	S8	S17	DIGITAL	S17	S26	---	S26	S35	---	S35
S9	S9	S9	S18	PRO LOGIC	S18	S27	---	S27			

	G1	G2	G3	G4	G5	G6	G7	G8	G9	G10	G11	G12	G13	G14	G15	G16
S36	DIGITAL	/	TV	VDP	((DVD)	DVD	AUX	---	TUNER	CD	---	PHONO	REC	---	STEREO	TUNED
S37	ANALOG	-2	-1	TAPE	((MD)	MD	V.AUX	---	-2	-1	---	VCR	MULTI	---	AUTO	RDS
S38	S38	DBS	---	---	---	---	---	---	-3	---	---	---	---	---	---	CH

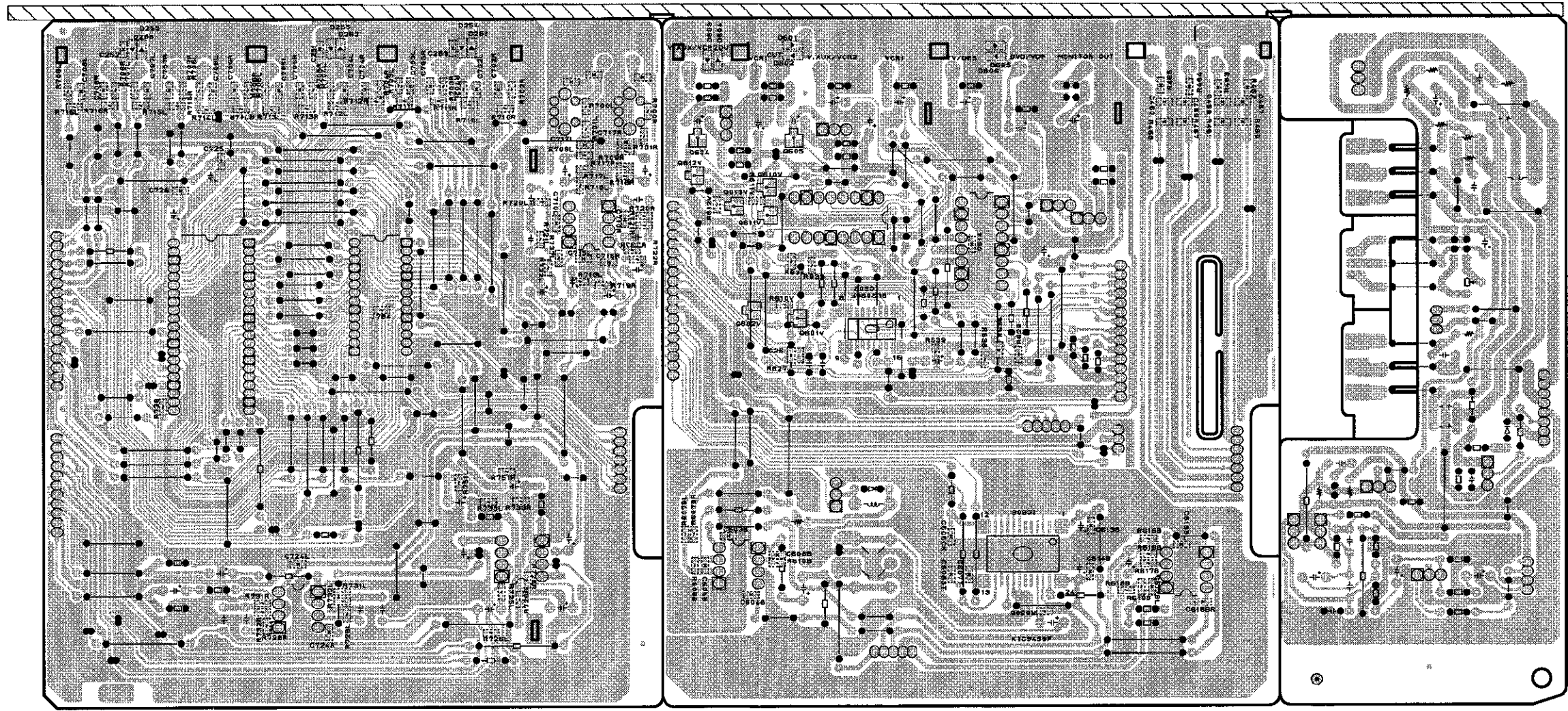
Parts List

1 2 3 4 5 6 7 8



A

B



C

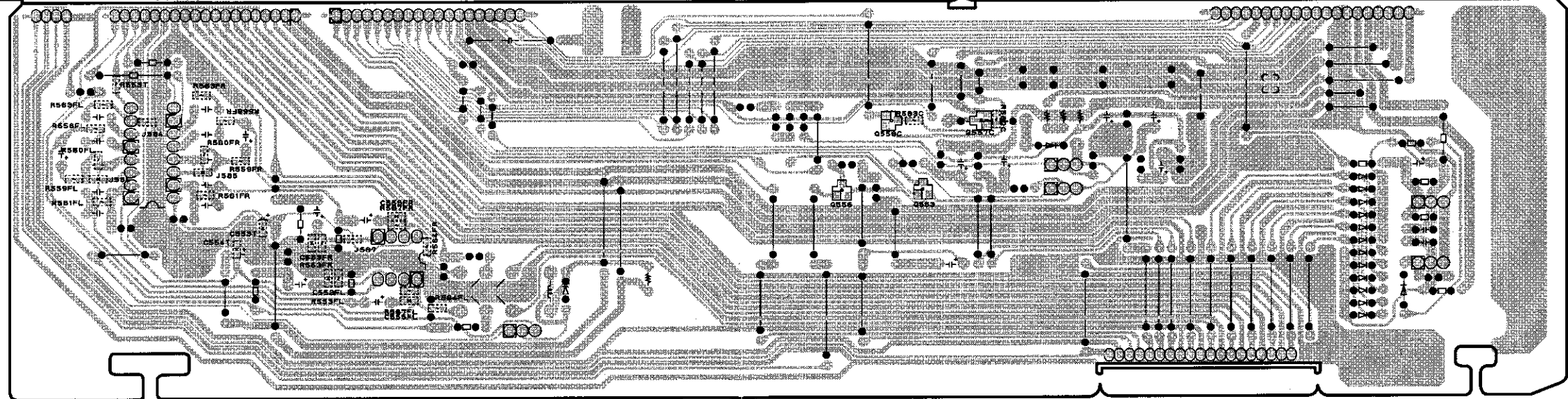
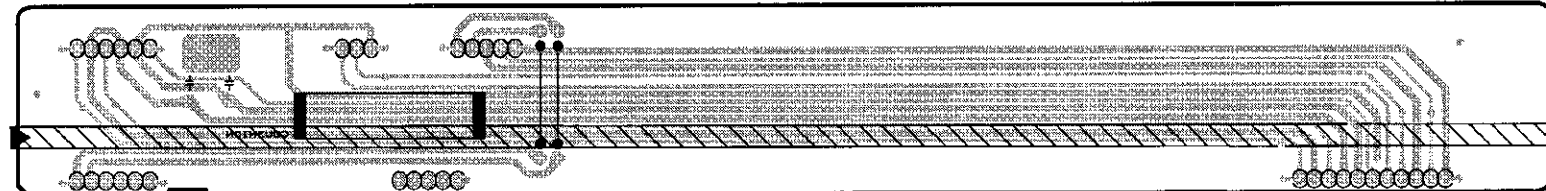
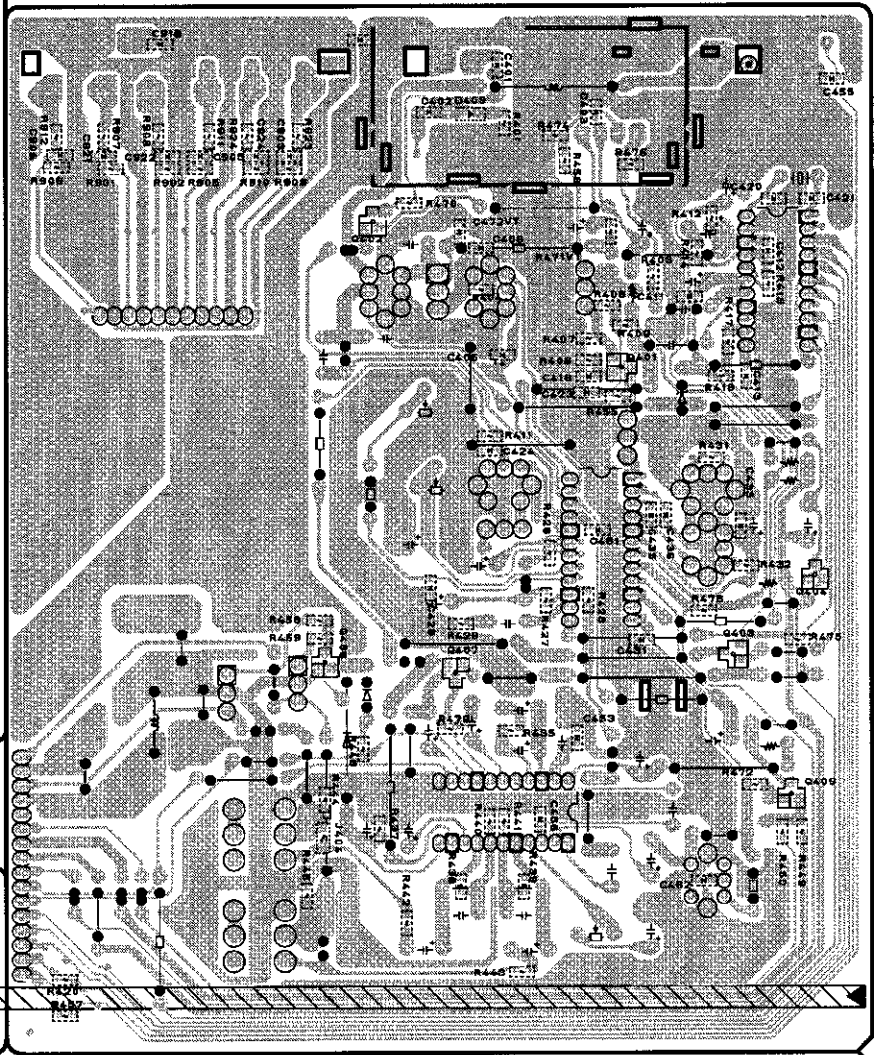
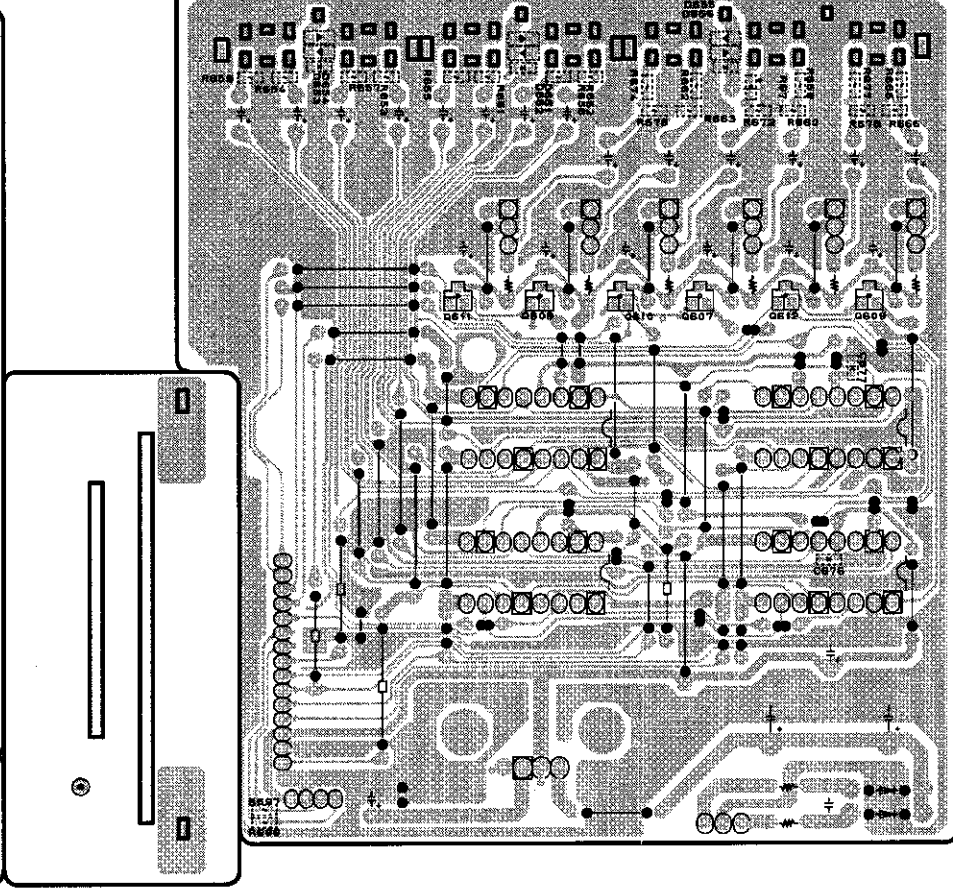
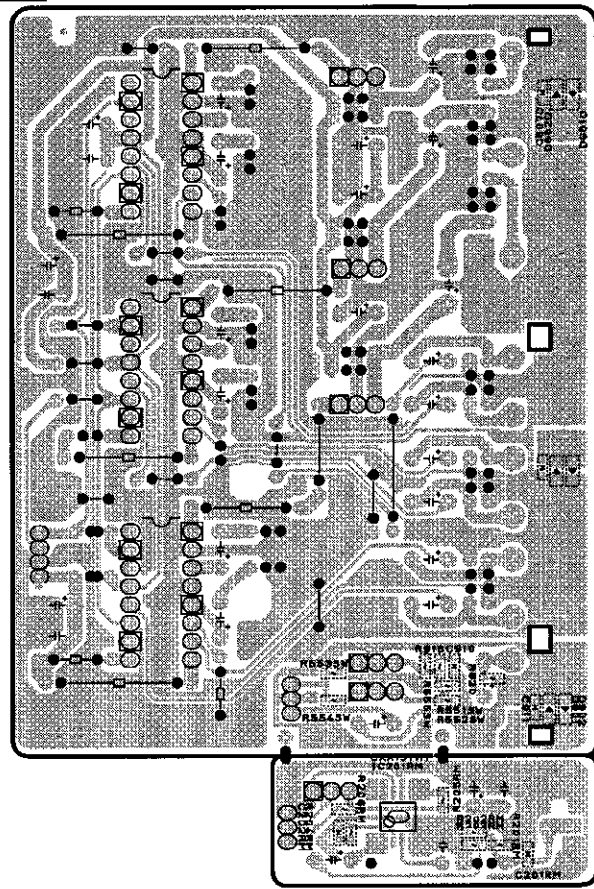
D

E

FOIL SIDE

Parts List

1 2 3 4 5 6 7 8



A

B

C

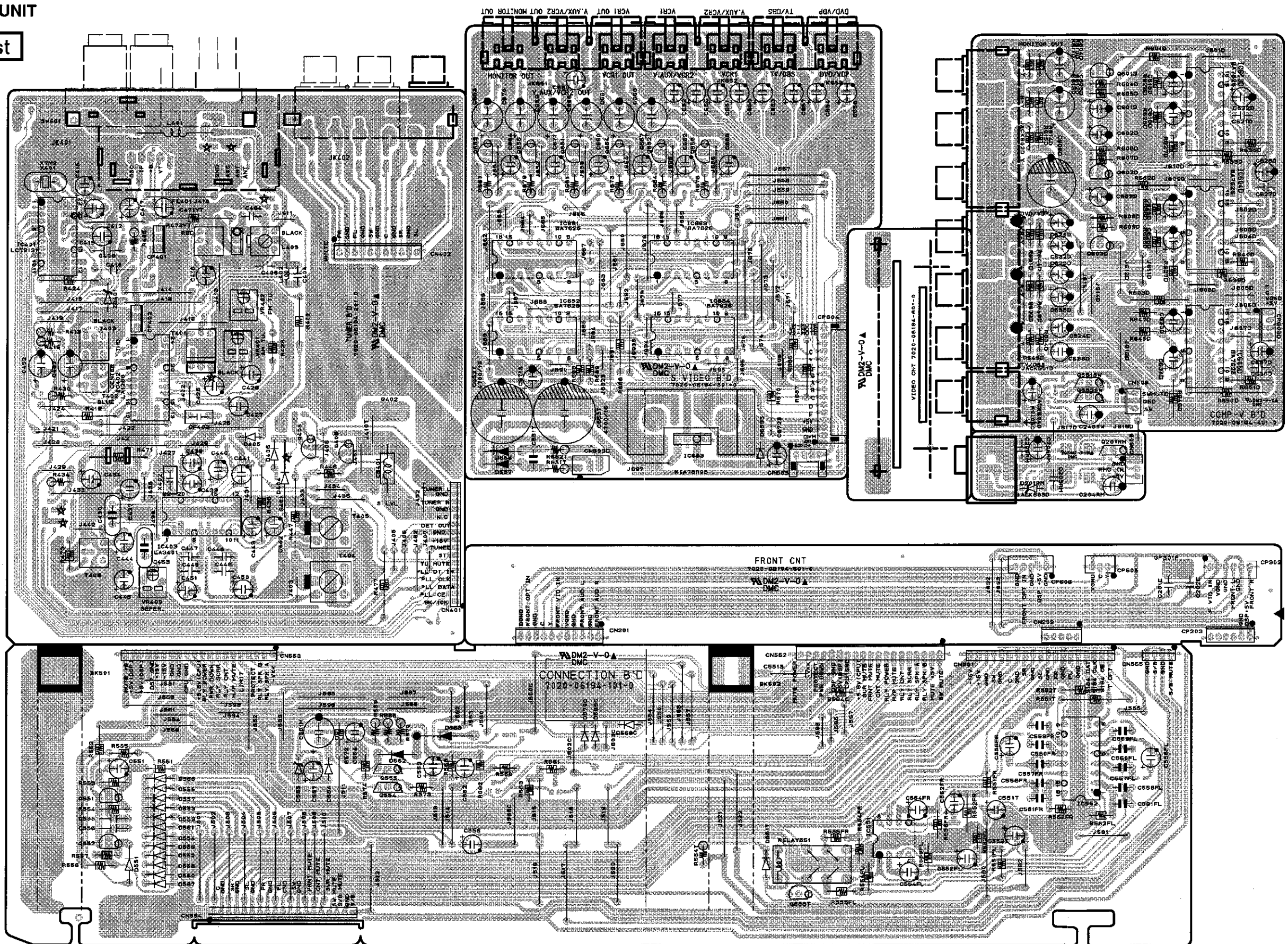
D

E

FOIL SIDE

1 2 3 4 5 6 7 8
CNT P.W.B. UNIT

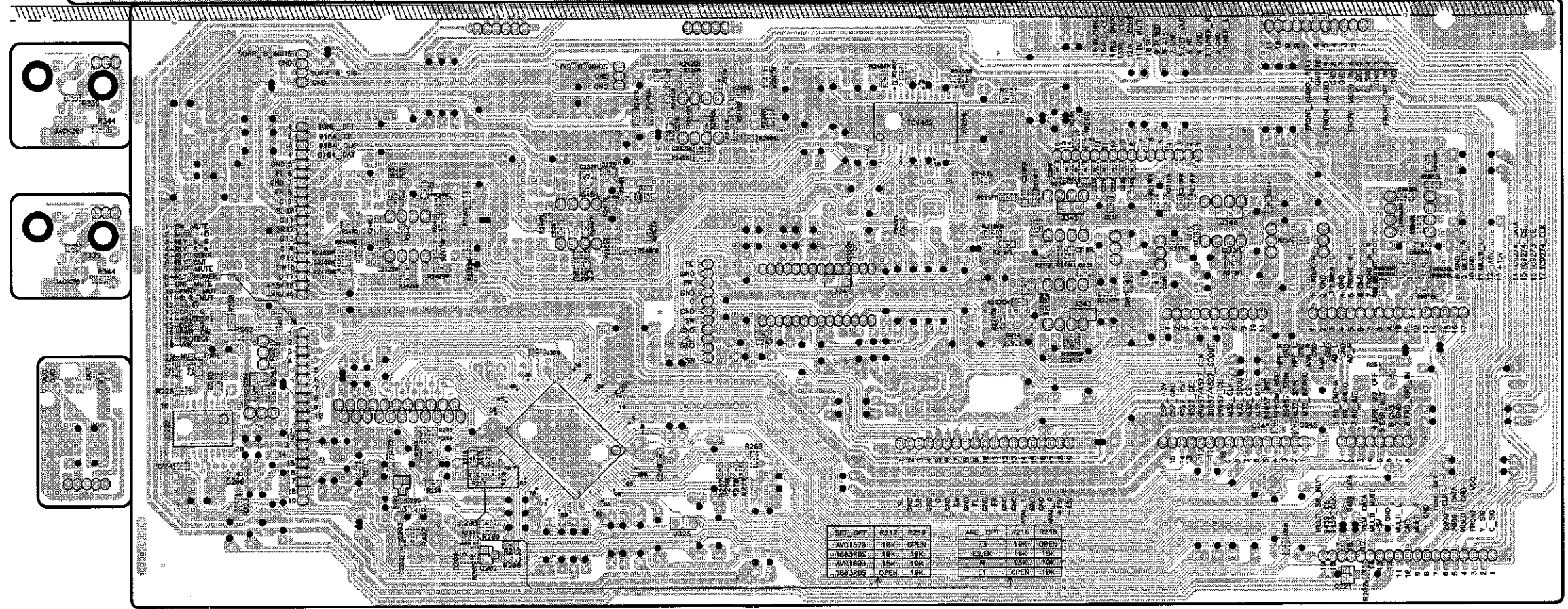
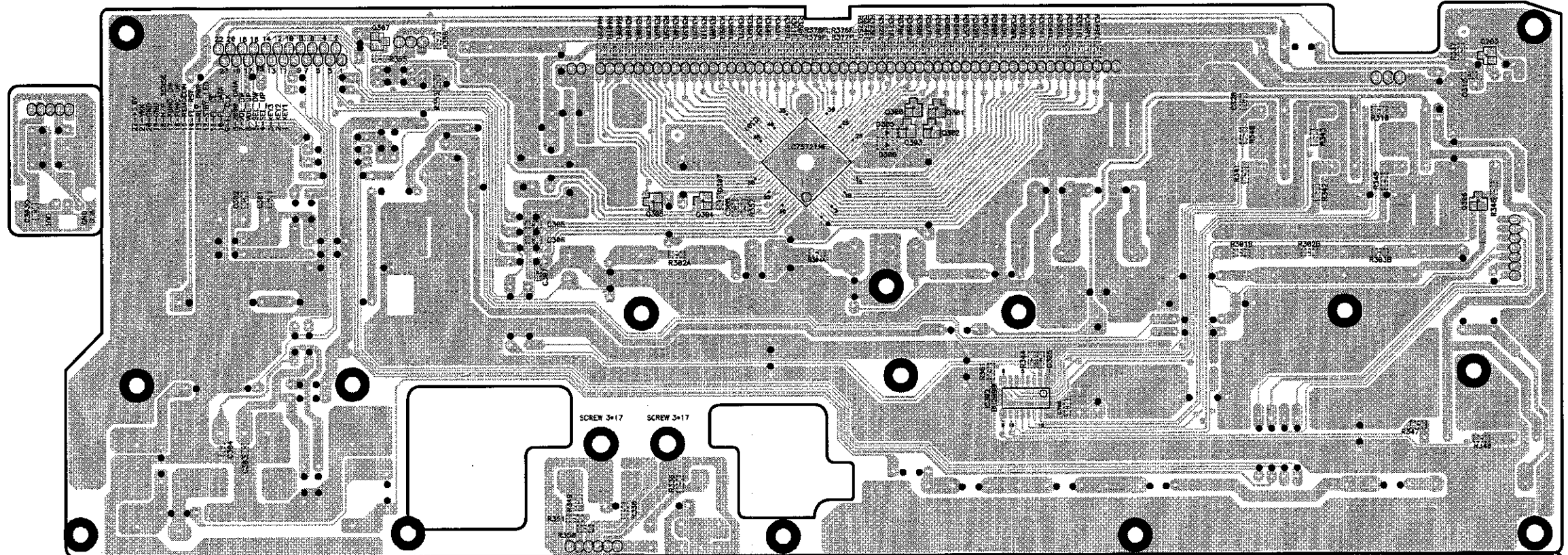
Parts List



COMPONENT SIDE

Parts List

1 2 3 4 5 6 7 8

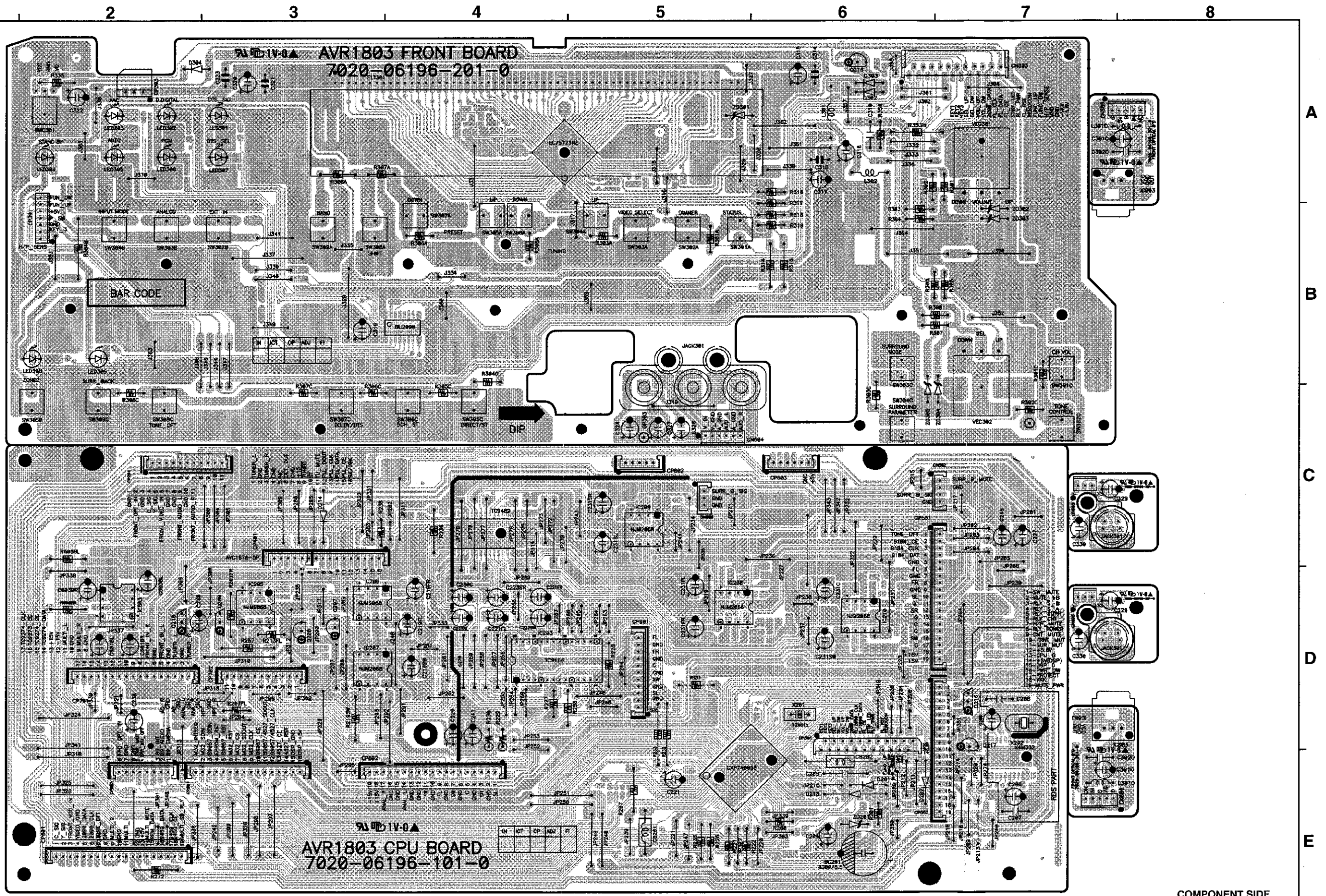


A
B
C
D
E

FOIL SIDE

CPU P.W.B. UNIT

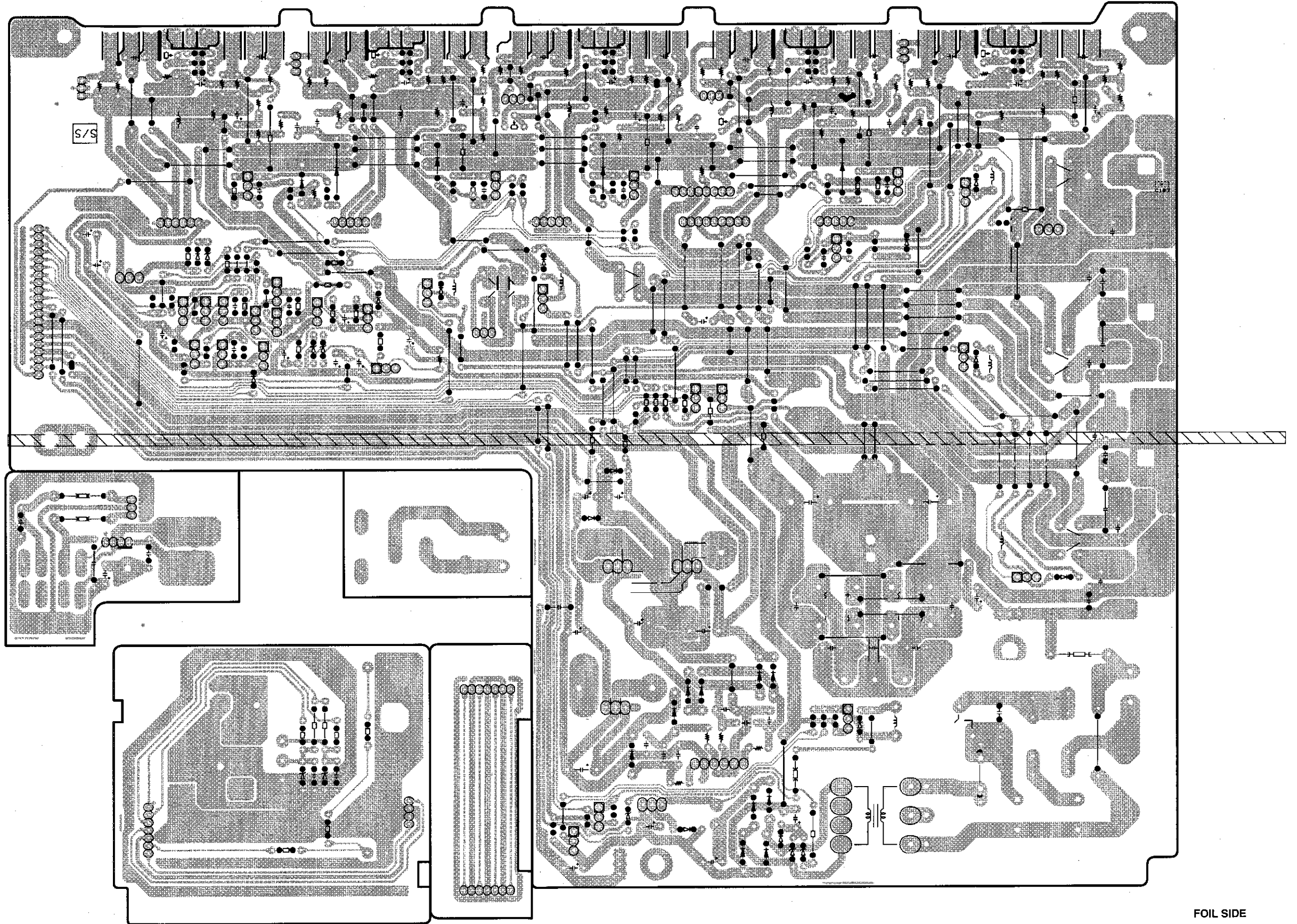
Parts List



COMPONENT SIDE

1 2 3 4 5 6 7 8

Parts List



A

B

C

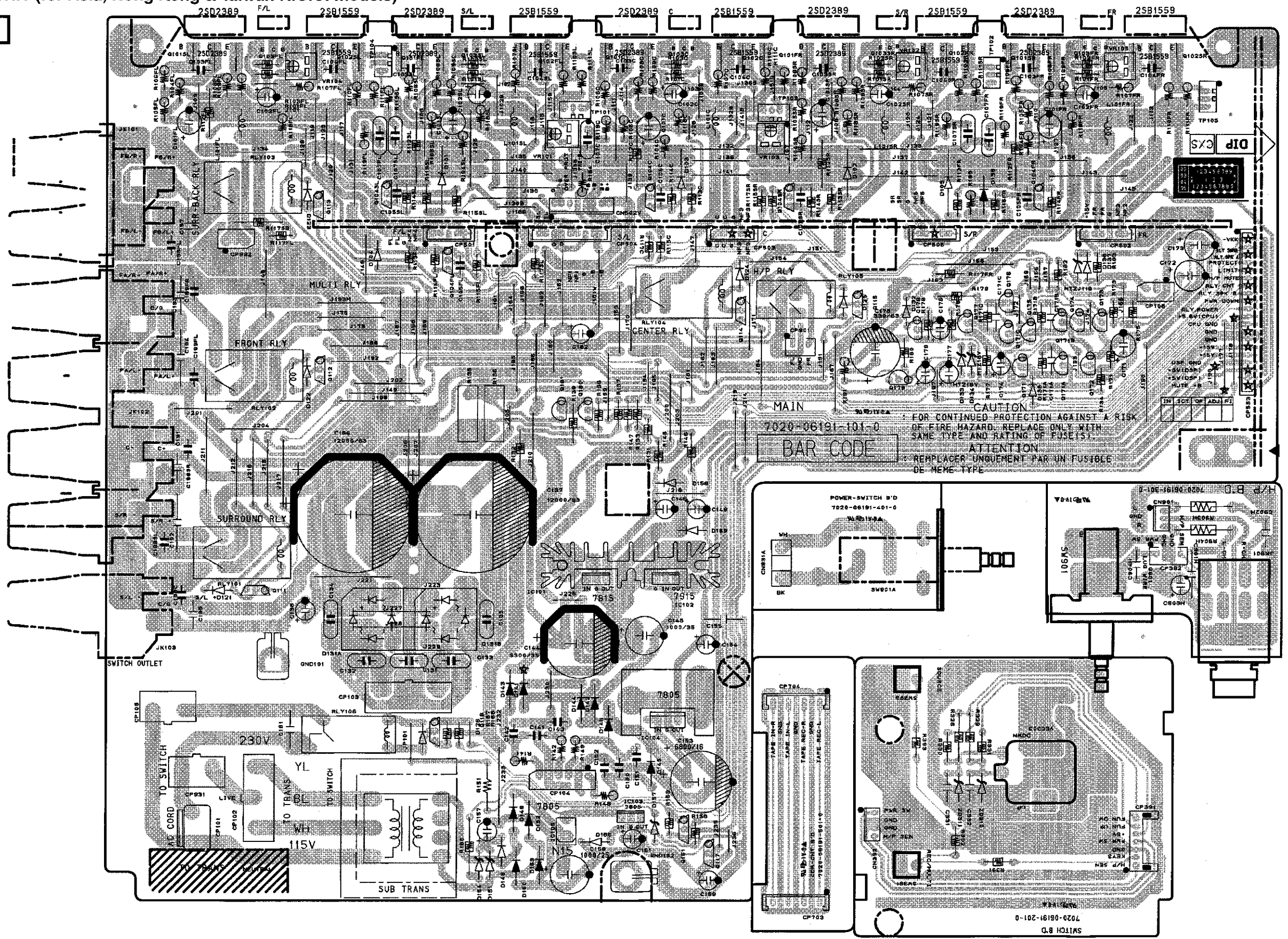
D

E

FOIL SIDE

1 2 3 4 5 6 7 8
MAIN P.W.B. UNIT (for Asia, Hong Kong & Taiwan R.O.C. models)

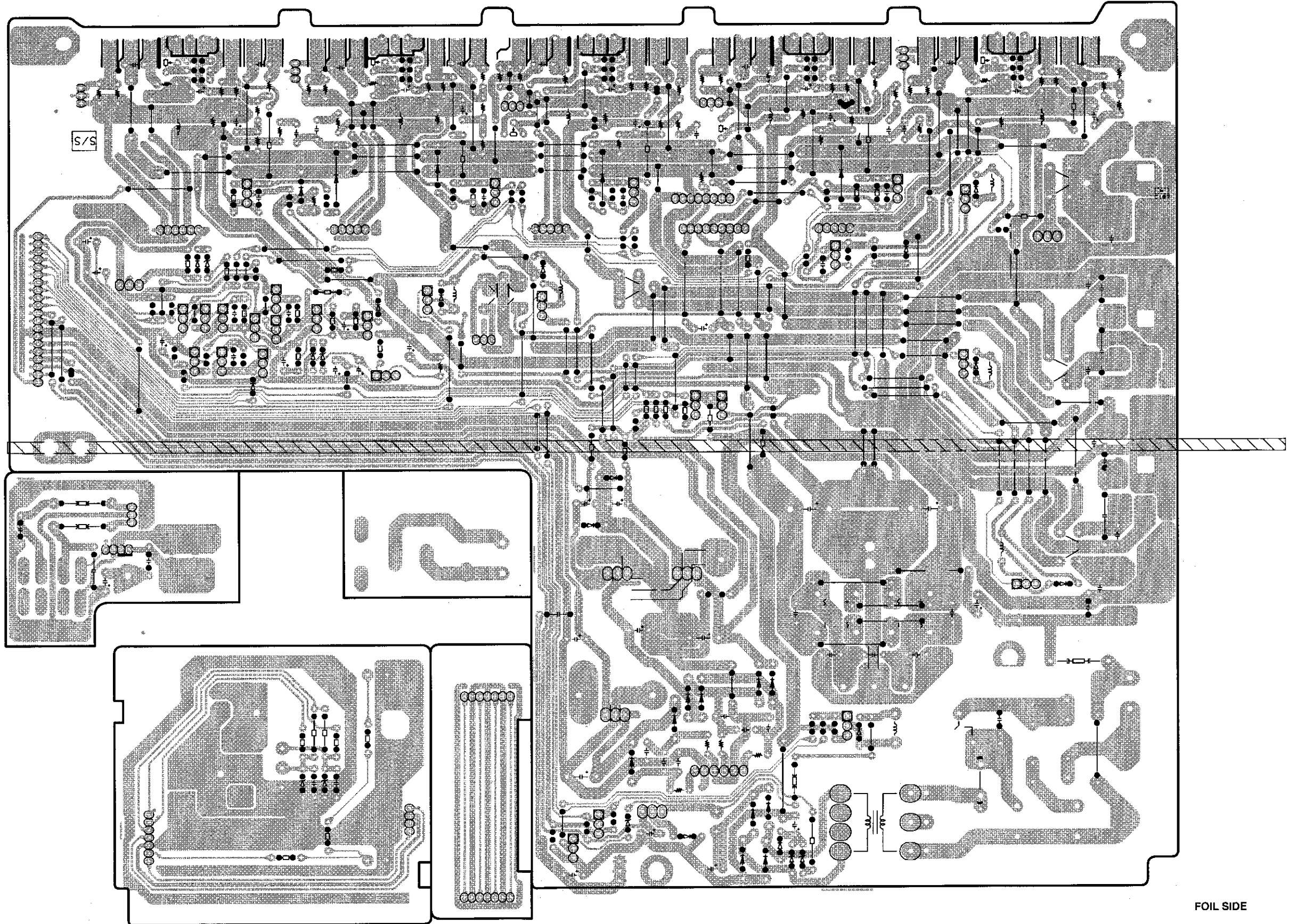
Parts List



COMPONENT SIDE

1 2 3 4 5 6 7 8

Parts List

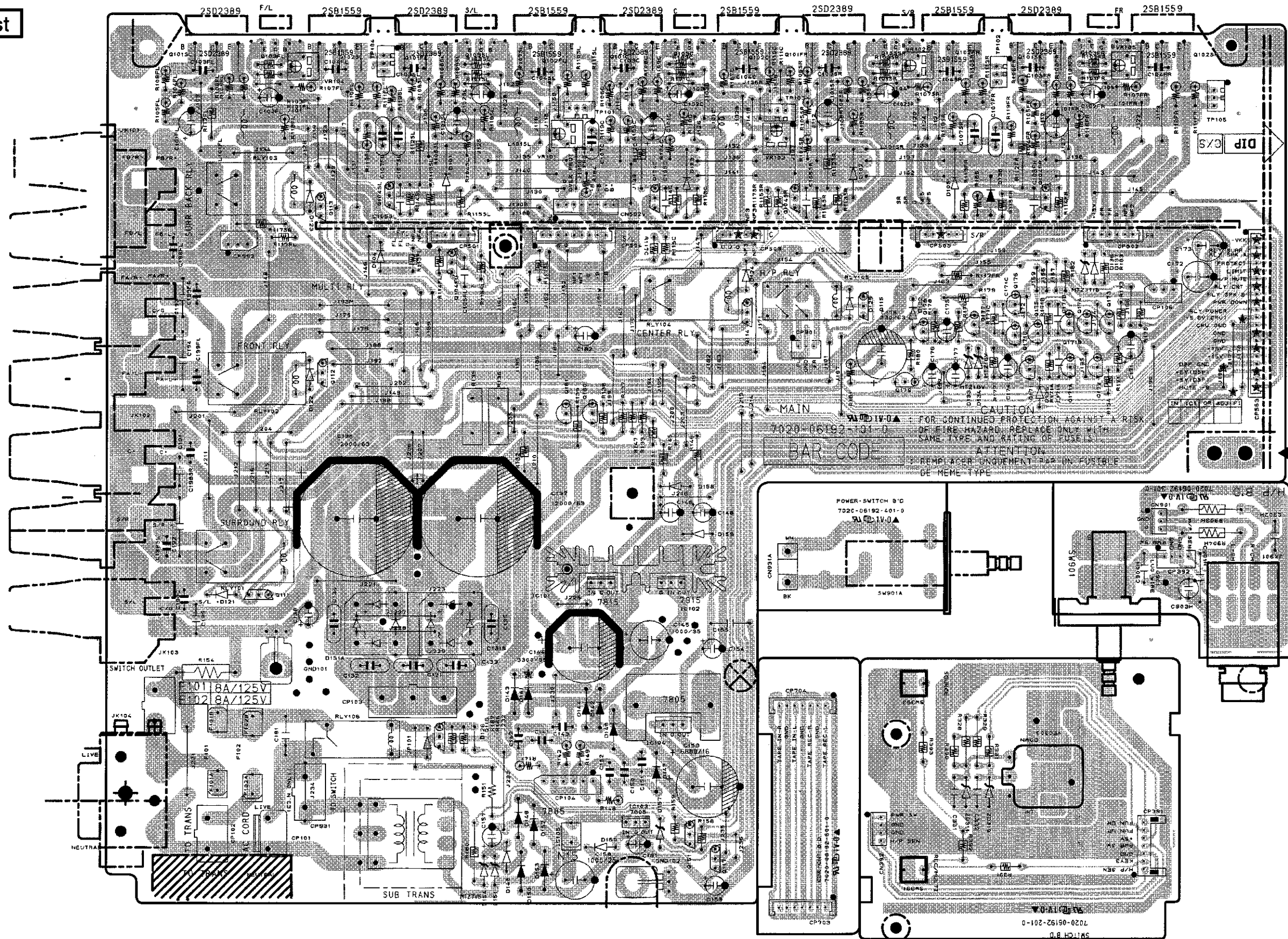


FOIL SIDE

PRINTED WIRING BOARDS

MAIN P.W.B. UNIT (for U.S.A., Canada, Europe, U.K., Australia, China & Korea models)

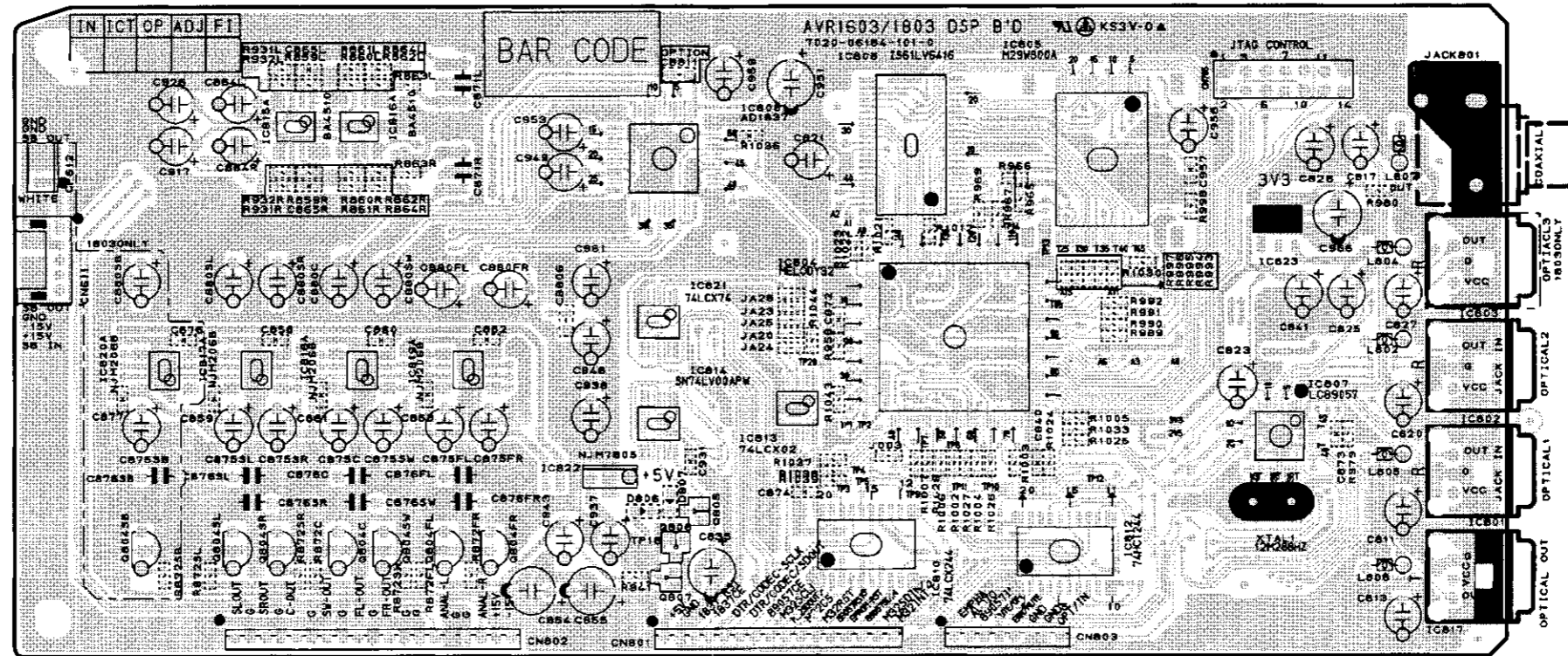
Parts List



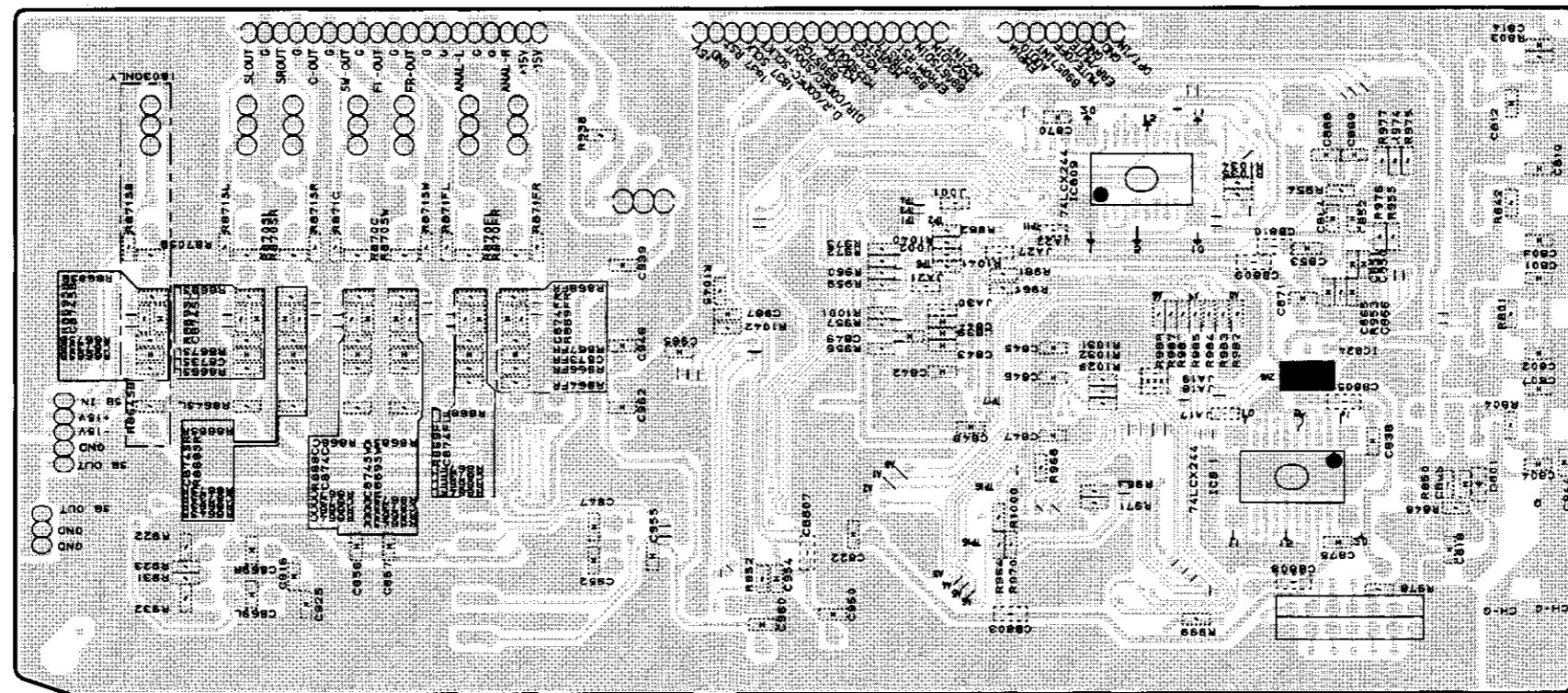
COMPONENT SIDE

DSP P.W.B. UNIT

Parts List



COMPONENT SIDE

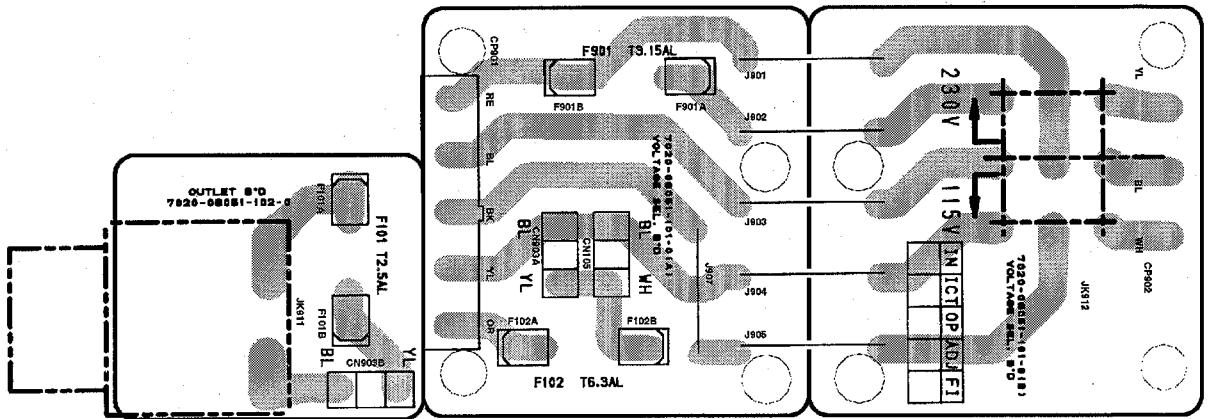


FOIL SIDE

A
B
C
D
E

VOL-SEL P.W.B. UNIT

Parts List




COMPONENT SIDE

NOTE FOR PARTS LIST

- Part indicated with the mark "⊙" are not always in stock and possibly to take a long period of time for supplying, or in some case supplying of part may be refused.
- When ordering of part, clearly indicate "1" and "I" (i) to avoid mis-supplying.
- Ordering part without stating its part number can not be supplied.
- Part indicated with the mark "★" is not illustrated in the exploded view.
- Not including Carbon Film ±5%, 1/4W Type in the P.W.Board parts list. (Refer to the Schematic Diagram for those parts.)

WARNING:

Parts marked with this symbol  have critical characteristics.
Use ONLY replacement parts recommended by the manufacturer.

● Resistors

Ex.: **RN** **14K** **2E** **182** **G** **FR**
 Type Shape and performance Power Resistance Allowable error Others

RD : Carbon	2B : 1/8W	F : ±1%	P : Pulse-resistant type
RC : Composition	2E : 1/4W	G : ±2%	NL : Low noise type
RS : Metal oxide film	2H : 1/2W	J : ±5%	NB : Non-burning type
RW : Winding	3A : 1W	K : ±10%	FR : Fuse-resistor
RN : Metal film	3D : 2W	M : ±20%	F : Lead wire forming
RK : Metal mixture	3F : 3W		
	3H : 5W		

*** Resistance**

1 **B** **2** ⇒ 1800 ohm = 1.8 kohm
 Indicates number of zeros after effective number.
 2-digit effective number.

• Units: ohm

1 **R** **2** ⇒ 1.2 ohm
 1-digit effective number.
 2-digit effective number, decimal point indicated by R.

• Units: ohm

● Capacitors

Ex.: **CE** **04W** **1H** **2R2** **M** **BP**
 Type Shape and performance Dielectric strength Capacity Allowable error Others

CE : Aluminum foil electrolytic	0J : 6.3V	F : ±1%	HS : High stability type
CA : Aluminum solid electrolytic	1A : 10V	G : ±2%	BP : Non-polar type
CS : Tantalum electrolytic	1C : 16V	J : ±5%	HR : Ripple-resistant type
CQ : Film	1E : 25V	K : ±10%	DL : For charge and discharge
CK : Ceramic	1V : 35V	M : ±20%	HF : For assuring high frequency
CC : Ceramic	1H : 50V	Z : +80%	U : UL part
CP : Oil	2A : 100V	-20%	C : CSA part
CM : Mica	2B : 125V	P : +100%	W : UL-CSA type
CF : Metallized	2C : 160V	-3%	F : Lead wire forming
CH : Metallized	2D : 200V	C : ±0.25pF	
	2E : 250V	D : ±0.5pF	
	2H : 500V	= : Others	
	2J : 630V		

*** Capacity (electrolyte only)**

2 **2** **2** ⇒ 2200µF
 Indicates number of zeros after effective number.
 2-digit effective number.

• Units: µF.

2 **R** **2** ⇒ 2.2µF
 1-digit effective number.
 2-digit effective number, decimal point indicated by R.

• Units: µF.

*** Capacity (except electrolyte)**

2 **2** **2** ⇒ 2200pF=0.0022µF
 (More than 2) — Indicates number of zeros after effective number.
 2-digit effective number.

• Units: pF.

2 **2** **1** ⇒ 220pF
 (0 or 1) — Indicates number of zeros after effective number.
 2-digit effective number.

• Units: pF.

• When the dielectric strength is indicated in AC, "AC" is included after the dielectric strength value.

PARTS LIST OF P.W.B. UNIT ASS'Y
MAIN P.W.B. ASS'Y

Note: The symbols in the column "Remarks" indicate the following destinations.

E3: U.S.A. model, Canada model
 EU: U.S.A. model (AVR-883)
 E2: Europe model
 EK: U.K. model
 E1: Asia model
 E1C: China model
 E1H: Hong Kong model
 E1T: Taiwan R.O.C. model
 E1K: Korea model

Ref. No.	Part No.	Part Name	Remarks
SEMICONDUCTORS GROUP			
IC101	963 0057 903	IC KIA7815AP	
IC102	960 0179 905	IC KIA7915	
IC103	960 0159 501	IC KIA7805API	
IC104	963 0057 709	IC KIA7805AP	
IC105	960 0195 808	IC protector ICP-N15	
Q104C	960 0196 506	Transistor KSC1845F	
Q104FL	960 0196 506	Transistor KSC1845F	
Q104FR	960 0196 506	Transistor KSC1845F	
Q104SL	960 0196 506	Transistor KSC1845F	
Q104SR	960 0196 506	Transistor KSC1845F	
Q111	960 0196 904	Transistor DTC114YS (NPN)	
Q112	960 0196 904	Transistor DTC114YS (NPN)	
Q113	960 0196 904	Transistor DTC114YS (NPN)	
Q114	960 0196 904	Transistor DTC114YS (NPN)	
Q115	960 0196 904	Transistor DTC114YS (NPN)	
Q116	960 0196 409	Transistor 2SC1740SR	
Q117	960 0196 904	Transistor DTC114YS (NPN)	
Q151	960 0196 409	Transistor 2SC1740SR	
Q171	960 0005 202	Transistor KTC3198Y	
Q171A	960 0196 302	Transistor KTA1268BL	
Q171B	960 0196 302	Transistor KTA1268BL	
Q171C	960 0196 302	Transistor KTA1268BL	
Q172	960 0005 202	Transistor KTC3198Y	
Q173	960 0005 202	Transistor KTC3198Y	
Q174	960 0005 202	Transistor KTC3198Y	
Q175	960 0005 202	Transistor KTC3198Y	
Q176	960 0005 202	Transistor KTC3198Y	
Q177	960 0005 202	Transistor KTC3198Y	
Q178	960 0005 105	Transistor KTA1266Y	
Q179	960 0189 005	Transistor KSA916Y	
Q180	960 0196 302	Transistor KTA1268BL	
Q181	960 0196 302	Transistor KTA1268BL	
D101	963 0096 508	Diode 1N4148	
D102	963 0096 508	Diode 1N4148	
D103	963 0096 508	Diode 1N4148	
D104	963 0096 508	Diode 1N4148	
D105	963 0096 508	Diode 1N4148	
D121	963 0096 508	Diode 1N4148	
D122	963 0096 508	Diode 1N4148	
D123	963 0096 508	Diode 1N4148	
D124	963 0096 508	Diode 1N4148	
D125	963 0096 508	Diode 1N4148	
D126	963 0096 508	Diode 1N4148	
D131A	960 0197 107	Diode KBPC604	
D131B	960 0197 107	Diode KBPC604	
D132	963 0096 508	Diode 1N4148	
D133	963 0046 202	Zener diode MTZJ18B	
D134	963 0046 202	Zener diode MTZJ18B	
D135	963 0096 508	Diode 1N4148	

Ref. No.	Part No.	Part Name	Remarks
D136	963 0058 504	Zener diode MTZJ11B	
D137	963 0096 508	Diode 1N4148	
D138	963 0058 407	Diode 1N4007	
D141	963 0058 407	Diode 1N4007	
D142	963 0058 407	Diode 1N4007	
D143	963 0058 407	Diode 1N4007	
D144	963 0058 407	Diode 1N4007	
D145	963 0058 407	Diode 1N4007	
D146	963 0058 407	Diode 1N4007	
D148	963 0096 508	Diode 1N4148	
D149	963 0058 407	Diode 1N4007	
D150	963 0058 407	Diode 1N4007	
D151	963 0096 508	Diode 1N4148	
D152	963 0058 407	Diode 1N4007	
D153	963 0058 407	Diode 1N4007	
D154	960 0095 908	Zener diode MTZJ8.2B	
D157	960 0014 905	Zener diode MTZJ20B	
D158	963 0096 508	Diode 1N4148	
D159	963 0096 508	Diode 1N4148	
D160	963 0096 508	Diode 1N4148	
ZD310	960 0095 607	Zener diode MTZJ5.6B	
ZD311	960 0095 607	Zener diode MTZJ5.6B	
RESISTORS GROUP			
R104C	963 9005 451	Metal oxide 5.6 kohm 1W	
R104FL	963 9005 451	Metal oxide 5.6 kohm 1W	
R104FR	963 9005 451	Metal oxide 5.6 kohm 1W	
R104SL	963 9005 451	Metal oxide 5.6 kohm 1W	
R104SR	963 9005 451	Metal oxide 5.6 kohm 1W	
R105C	963 9005 451	Metal oxide 5.6 kohm 1W	
R105FL	963 9005 451	Metal oxide 5.6 kohm 1W	
R105FR	963 9005 451	Metal oxide 5.6 kohm 1W	
R105SL	963 9005 451	Metal oxide 5.6 kohm 1W	
R105SR	963 9005 451	Metal oxide 5.6 kohm 1W	
R106C	963 9003 068	Metal film 4.7 ohm 1/4W (NB)	
R106FL	963 9003 068	Metal film 4.7 ohm 1/4W (NB)	
R106FR	963 9003 068	Metal film 4.7 ohm 1/4W (NB)	
R106SL	963 9003 068	Metal film 4.7 ohm 1/4W (NB)	
R106SR	963 9003 068	Metal film 4.7 ohm 1/4W (NB)	
R107C	963 9003 068	Metal film 4.7 ohm 1/4W (NB)	
R107FL	963 9003 068	Metal film 4.7 ohm 1/4W (NB)	
R107FR	963 9003 068	Metal film 4.7 ohm 1/4W (NB)	
R107SL	963 9003 068	Metal film 4.7 ohm 1/4W (NB)	
R107SR	963 9003 068	Metal film 4.7 ohm 1/4W (NB)	
R108C	963 9005 477	Metal oxide 0.22 ohm 1W	
R108FL	963 9005 477	Metal oxide 0.22 ohm 1W	
R108FR	963 9005 477	Metal oxide 0.22 ohm 1W	
R108SL	963 9005 477	Metal oxide 0.22 ohm 1W	
R108SR	963 9005 477	Metal oxide 0.22 ohm 1W	
R109C	963 9005 477	Metal oxide 0.22 ohm 1W	
R109FL	963 9005 477	Metal oxide 0.22 ohm 1W	

Ref. No.	Part No.	Part Name	Remarks	Ref. No.	Part No.	Part Name	Remarks
R109FR	963 9005 477	Metal oxide 0.22 ohm 1W		C102FL	963 9005 778	Electrolytic 10uF/50V	
R109SL	963 9005 477	Metal oxide 0.22 ohm 1W		C102FR	963 9005 778	Electrolytic 10uF/50V	
R109SR	963 9005 477	Metal oxide 0.22 ohm 1W		C102SL	963 9005 778	Electrolytic 10uF/50V	
R110C	963 9005 477	Metal oxide 0.22 ohm 1W		C102SR	963 9005 778	Electrolytic 10uF/50V	
R110FL	963 9005 477	Metal oxide 0.22 ohm 1W		C103C	963 9003 084	Ceramic 100pF/500V	
R110FR	963 9005 477	Metal oxide 0.22 ohm 1W		C103FL	963 9003 084	Ceramic 100pF/500V	
R110SL	963 9005 477	Metal oxide 0.22 ohm 1W		C103FR	963 9003 084	Ceramic 100pF/500V	
R110SR	963 9005 477	Metal oxide 0.22 ohm 1W		C103SL	963 9003 084	Ceramic 100pF/500V	
R111C	963 9005 477	Metal oxide 0.22 ohm 1W		C103SR	963 9003 084	Ceramic 100pF/500V	
R111FL	963 9005 477	Metal oxide 0.22 ohm 1W		C104C	963 9003 084	Ceramic 100pF/500V	
R111FR	963 9005 477	Metal oxide 0.22 ohm 1W		C104FL	963 9003 084	Ceramic 100pF/500V	
R111SL	963 9005 477	Metal oxide 0.22 ohm 1W		C104FR	963 9003 084	Ceramic 100pF/500V	
R111SR	963 9005 477	Metal oxide 0.22 ohm 1W		C104SL	963 9003 084	Ceramic 100pF/500V	
R118C	963 9005 480	Metal oxide 10 ohm 1W		C104SR	963 9003 084	Ceramic 100pF/500V	
R118FL	963 9005 480	Metal oxide 10 ohm 1W		C105C	960 9003 108	Ceramic 0.022uF/25V	
R118FR	963 9005 480	Metal oxide 10 ohm 1W		C105FL	960 9003 108	Ceramic 0.022uF/25V	
R118SL	963 9005 480	Metal oxide 10 ohm 1W		C105FR	960 9003 108	Ceramic 0.022uF/25V	
R118SR	963 9005 480	Metal oxide 10 ohm 1W		C105SL	960 9003 108	Ceramic 0.022uF/25V	
R119C	963 9005 480	Metal oxide 10 ohm 1W		C105SR	960 9003 108	Ceramic 0.022uF/25V	
R119FL	963 9005 480	Metal oxide 10 ohm 1W		C107C	963 9003 097	Mylar film 0.1uF/250V	
R119FR	963 9005 480	Metal oxide 10 ohm 1W		C107FL	963 9003 097	Mylar film 0.1uF/250V	
R119SL	963 9005 480	Metal oxide 10 ohm 1W		C107FR	963 9003 097	Mylar film 0.1uF/250V	
R119SR	963 9005 480	Metal oxide 10 ohm 1W		C107SL	963 9003 097	Mylar film 0.1uF/250V	
R135	963 0045 203	Winding 0.1 ohm 5W		C107SR	963 9003 097	Mylar film 0.1uF/250V	
R136	963 0045 203	Winding 0.1 ohm 5W		C131	963 9003 097	Mylar film 0.1uF/250V	
R141	244 2043 982	Metal oxide 0.22 ohm 1W		C132	963 9003 097	Mylar film 0.1uF/250V	
R142	244 2043 982	Metal oxide 0.22 ohm 1W		C133	963 9003 097	Mylar film 0.1uF/250V	
R148	244 2043 982	Metal oxide 0.22 ohm 1W		C134	963 9003 097	Mylar film 0.1uF/250V	
R149	244 2043 982	Metal oxide 0.22 ohm 1W		C135	963 9003 097	Mylar film 0.1uF/250V	
R151	963 9003 343	Metal film 68ohm 1/4W		C136	963 9006 094	Electrolytic 12000uF/63V	
R154	963 0043 108	Metal film 2.2 Mohm 1/2W	for E3,EU	C137	963 9006 094	Electrolytic 12000uF/63V	
R179	963 9003 055	Metal film 47 kohm 1/4W (NB)		C138	963 9005 749	Electrolytic 1uF/50V	
R181	963 9003 068	Metal film 4.7 ohm 1/4W (NB)		C141	963 0021 900	Mylar film 0.047uF/100V	
R184	963 9005 480	Metal oxide 10 ohm 1W		C142	963 0021 900	Mylar film 0.047uF/100V	
R185	963 9005 655	Metal film 22 ohm 1/4W		C143	963 0021 900	Mylar film 0.047uF/100V	
R903H	960 9009 270	Metal film 470ohm 2W		C144	960 9007 201	Electrolytic 3300uF/10V	
R904H	960 9009 270	Metal film 470ohm 2W		C145	963 9003 123	Electrolytic 1000uF/35V	
VR101	960 0091 601	Semi fixed resistor 1 kohm		C146	963 9005 749	Electrolytic 1uF/50V	
VR102	960 0091 601	Semi fixed resistor 1 kohm		C148	963 9005 749	Electrolytic 1uF/50V	
VR103	960 0091 601	Semi fixed resistor 1 kohm		C150	963 0021 900	Mylar film 0.047uF/100V	
VR104	960 0091 601	Semi fixed resistor 1 kohm		C151	963 0021 900	Mylar film 0.047uF/100V	
VR105	960 0091 601	Semi fixed resistor 1 kohm		C152	963 0021 900	Mylar film 0.047uF/100V	
CAPACITORS GROUP							
C101C	963 9005 888	Electrolytic 47uF/50V		C153	963 0021 104	Electrolytic 6800uF/16V	
C101FL	963 9005 888	Electrolytic 47uF/50V		C154	963 9005 309	Electrolytic 47uF/10V	
C101FR	963 9005 888	Electrolytic 47uF/50V		C155	963 9004 559	Ceramic 0.1uF/50V	
C101SL	963 9005 888	Electrolytic 47uF/50V		C157	963 9005 749	Electrolytic 1uF/50V	
C101SR	963 9005 888	Electrolytic 47uF/50V		C158	963 9003 136	Electrolytic 1000uF/25V	
C102C	963 9005 778	Electrolytic 10uF/50V		C159	963 9005 749	Electrolytic 1uF/50V	
				C161	963 9005 752	Electrolytic 10uF/35V	
				C171	963 9005 312	Electrolytic 100uF/10V	
				C171A	963 9004 559	Ceramic 0.1uF/50V	
				C171B	963 9004 559	Ceramic 0.1uF/50V	

Ref. No.	Part No.	Part Name	Remarks
C171C	963 9004 559	Ceramic 0.1uF/50V	
C172	963 9005 833	Electrolytic 220uF/6.3V	
C173	963 9005 833	Electrolytic 220uF/6.3V	
C174	963 9005 752	Electrolytic 10uF/35V	
C175	963 9005 914	Electrolytic 4.7uF/50V	
C176	963 9005 749	Electrolytic 1uF/50V	
C177	963 9005 749	Electrolytic 1uF/50V	
C178	963 9003 149	Electrolytic 330uF/63V	
△ C181	960 0177 208	Ceramic 4700pF/250V(AC)	
C182	963 9006 120	Electrolytic 10uF/100V	
C191	963 9006 007	Ceramic 2200pF/16V	for E2,EK
C192	963 9006 007	Ceramic 2200pF/16V	for E2,EK
C193	963 9006 007	Ceramic 2200pF/16V	for E2,EK
C194	963 9006 007	Ceramic 2200pF/16V	for E2,EK
C195	963 9006 007	Ceramic 2200pF/16V	for E2,EK
C197	963 9006 007	Ceramic 2200pF/16V	for E2,EK
C198C	963 0024 703	Mylar film 0.01uF/100V	for E2,EK
C198FL	963 0024 703	Mylar film 0.01uF/100V	for E2,EK
C198SL	963 0024 703	Mylar film 0.01uF/100V	for E2,EK
C198SR	963 0024 703	Mylar film 0.01uF/100V	for E2,EK
C199FL	963 0024 703	Mylar film 0.01uF/100V	for E2,EK
C199FR	963 0024 703	Mylar film 0.01uF/100V	for E2,EK
C331	963 9004 546	Ceramic 0.01uF/16V	
C332	963 9004 546	Ceramic 0.01uF/16V	
C901H	963 9004 533	Ceramic 0.001uF/50V	
C902H	963 9004 533	Ceramic 0.001uF/50V	
C903H	963 9005 749	Electrolytic 1uF/50V	
C904H	960 9003 108	Ceramic 0.022uF/25V	

Ref. No.	Part No.	Part Name	Remarks	Q'ty
OTHER PARTS GROUP				
CN391	963 0060 602	7P connector base		1
CN392	963 0106 207	4P wire		1
CN393	963 0050 104	4P connector base		1
CN502V	963 0106 304	8P wire		1
CN901	963 0106 401	3P wire		1
CN931A	960 0059 707	2P connector cord	for E2,EK,ASIA	1
CP101	960 0118 908	AC cord connector base		1
CP102	960 0123 304	2P connector base		1
CP103	960 0128 901	3P connector base		1
CP104	960 0128 804	6P connector base		1
CP106	960 0123 207	3P connector base		1
CP501	963 0086 903	5P connector base (TUC-P)		1
CP502	963 0087 009	6P connector base (TUC-P)		1
CP503	963 0086 903	5P connector base (TUC-P)		1
CP504	963 0086 806	9P connector base (TUC-P)		1
CP505	963 0086 903	5P connector base (TUC-P)		1
CP553	963 0087 106	20P connector base (TUC-P)		1
CP703	963 0085 807	7P connector base (TUC-P)		1
CP704	963 0085 807	7P connector base (TUC-P)		1
CP901	963 0048 909	3P connector base		1
CP931	960 0123 304	2P connector base	for E2,EK,ASIA	1
CP992	960 0123 207	3P connector base		1
△ F101	960 0188 705	Fuse 8A	for E3,EU	1
△ F101	963 0104 704	Fuse 2.5A	for E2,EK,E1K	1
△ F101A	960 0005 804	Fuse clip		1
△ F101B	960 0005 804	Fuse clip		1
△ F102	960 0188 705	Fuse 8A	for E3,EU	1
△ F102	963 0104 801	Fuse 3.15A	for E2,EK,E1K	1
△ F102A	960 0005 804	Fuse clip		1
△ F102B	960 0005 804	Fuse clip		1
GND101	960 9006 600	Terminal		1
GND102	960 9006 600	Terminal		1
JK101	960 0188 608	4P speaker terminal		1
JK102	963 0074 009	8P speaker terminal		1
JK103	960 0194 809	2P speaker terminal		1
△ JK104	960 0187 803	AC outlet(2P)	for E3,EU	1
JK901	963 0095 402	Head phone jack (D6.5)		1
L101C	963 0049 005	Inductor 0.5uH		1
L101FL	963 0049 005	Inductor 0.5uH		1
L101FR	963 0049 005	Inductor 0.5uH		1
L101SL	963 0049 005	Inductor 0.5uH		1
L101SR	963 0049 005	Inductor 0.5uH		1
RLY101	960 0181 702	Relay (G5PA-28 24V)		1
RLY102	960 0181 702	Relay (G5PA-28 24V)		1
RLY103	960 0181 702	Relay (G5PA-28 24V)		1

CPU P.W.B. ASS'Y

Ref. No.	Part No.	Part Name	Remarks	Q'ty	Ref. No.	Part No.	Part Name	Remarks
RLY104	960 0181 702	Relay (G5PA-28 24V)		1	SEMICONDUCTORS GROUP			
RLY105	963 0071 303	Relay (RSB24S 24V)		1	IC201	963 0102 201	IC CXP740096-161Q	
RLY106	960 0181 605	Relay (G5PA-1-8 12V)		1	IC202	963 0057 602	IC TDA7330BD	for E2,EK
SW391	963 0045 708	Tact switch		1	IC203	960 0080 201	IC KIC9164AN	
SW393	963 0045 708	Tact switch		1	IC204	963 0043 603	IC KIC9482F	
SW901	960 0176 209	Push switch	for E3,EU	1	IC205	960 0174 502	IC NJM2068DD	
SW901A	963 0098 807	Push switch	for E2,EK,ASIA	1	IC206	960 0174 502	IC NJM2068DD	
TP101	960 0161 405	3P connector base		1	IC207	960 0174 502	IC NJM2068DD	
TP102	960 0161 405	3P connector base		1	IC208	960 0174 502	IC NJM2068DD	
TP103	960 0161 405	3P connector base		1	IC209	960 0174 502	IC NJM2068DD	
TP104	960 0161 405	3P connector base		1	IC210	960 0174 502	IC NJM2068DD	
TP105	960 0161 405	3P connector base		1	IC301	960 0180 004	IC LC75721E	
VEC303	963 0095 208	Encoder SW		1	IC302	963 0074 504	IC BU2090F	
—	—	Heat sink		1	IC603	960 0174 502	IC NJM2068DD	
—	—	Heat sink		1	IC803	269 0186 002	IC GP1FA502RZ	
—	963 0068 400	Capacitor cover	for E2,EK,E1C,E1K	1	RMC301	960 0181 100	IC NJL64H380A	
—	963 0060 000	Fuse label(2.5A)	for E2,EK,E1K	1	Q201	269 0054 901	Transistor DTC144EK	
—	963 0090 504	Fuse label(3.15A)	for E1C	1	Q202	963 0045 902	Transistor 2SC2412KT	
△	963 0094 924	Mini trans	for E3,EU	1	Q203	269 0055 900	Transistor DTA144EK	
△	963 0094 937	Mini trans	for E2,EK,EA	1	Q204	963 0024 208	Transistor DTC114YK	
△	963 0094 911	Mini trans	for E1C,E1K	1	Q207	960 0196 807	Transistor 2SK117Y	
△	963 0094 940	Mini trans	for E1,E1H,E1T	1	Q208	960 0196 807	Transistor 2SK117Y	
	963 0018 007	Screw (2S 3x8 ZNY/BH)		3	Q209	269 0093 904	Transistor DTA144ES	
					Q210	269 0040 902	Transistor DTC144ES	
					Q216	269 0046 906	Transistor DTA114ES	
					Q217	963 0102 803	Transistor 2SA933S	
					Q218	963 0102 803	Transistor 2SA933S	
					Q221	269 0083 901	Transistor DTA114EK	
					Q300	269 0055 900	Transistor DTA144EK	
					Q301	269 0055 900	Transistor DTA144EK	
					Q302	269 0054 901	Transistor DTC144EK	
					Q303	269 0054 901	Transistor DTC144EK	
					Q304	269 0054 901	Transistor DTC144EK	
					Q305	269 0055 900	Transistor DTA144EK	
					Q306	269 0082 902	Transistor DTC114EK	
					Q307	963 0024 208	Transistor DTC114YK	
					D201	963 0096 508	Diode 1N4148	
					D202	963 0058 407	Diode IN4007	
					D204	960 0197 000	Diode KDS160	
					D205	960 0197 000	Diode KDS160	
					D206	960 0197 000	Diode KDS160	for E2,EK
					D207	960 0197 000	Diode KDS160	
					D209	960 0197 000	Diode KDS160	
					D213	963 0096 508	Diode 1N4148	
					D214	963 0058 407	Diode IN4007	

Ref. No.	Part No.	Part Name	Remarks
D302	963 0096 508	Diode 1N4148	
D303	963 0096 508	Diode 1N4148	
D304	963 0096 508	Diode 1N4148	
D305	960 0197 000	Diode KDS160	
D306	960 0197 000	Diode KDS160	
D307	960 0197 000	Diode KDS160	
ZD201	963 0047 502	Zener diode MTZJ3.3B	
ZD301	960 0095 801	Zener diode MTZJ6.8B	
ZD302	960 0095 607	Zener diode MTZJ5.6B	
ZD303	960 0095 607	Zener diode MTZJ5.6B	
ZD304	960 0095 607	Zener diode MTZJ5.6B	
ZD305	960 0095 607	Zener diode MTZJ5.6B	
LED301	960 0197 204	LED P15-RD/HL50RDRF4T	
LED302	960 0197 204	LED P15-RD/HL50RDRF4T	
LED303	960 0197 204	LED P15-RD/HL50RDRF4T	
LED304	960 0197 204	LED P15-RD/HL50RDRF4T	
LED305	960 0197 204	LED P15-RD/HL50RDRF4T	
LED306	960 0197 204	LED P15-RD/HL50RDRF4T	
LED307	960 0197 204	LED P15-RD/HL50RDRF4T	
LED308	960 0197 204	LED P15-RD/HL50RDRF4T	
LED309	960 0197 204	LED P15-RD/HL50RDRF4T	

RESISTORS GROUP

R201V	963 9003 398	Carbon chip 1 kohm 1/16W	
R202	963 9003 398	Carbon chip 1 kohm 1/16W	
R202V	963 9003 398	Carbon chip 1 kohm 1/16W	
R204	963 9004 342	Carbon chip 4.7 kohm 1/16W	
R205	963 9004 070	Carbon chip 10 kohm 1/16W	
R206	963 9004 232	Carbon chip 220 kohm 1/16W	
R208	963 9004 070	Carbon chip 10 kohm 1/16W	
R209	963 9004 083	Carbon chip 100 kohm 1/16W	
R210FL	963 9004 313	Carbon chip 4.3 kohm 1/16W	
R210FR	963 9004 313	Carbon chip 4.3 kohm 1/16W	
R211	963 9004 070	Carbon chip 10 kohm 1/16W	
R212	963 9003 398	Carbon chip 1 kohm 1/16W	
R213FR	963 9004 151	Carbon chip 15 kohm 1/16W	
R214FL	963 9004 151	Carbon chip 15 kohm 1/16W	
R214FR	963 9004 151	Carbon chip 15 kohm 1/16W	
R215FL	963 9003 385	Carbon chip 100 ohm 1/16W	
R215FR	963 9003 385	Carbon chip 100 ohm 1/16W	
R216	963 9004 070	Carbon chip 10 kohm 1/16W	for E3,EU,E2,EK
R216FL	963 9004 083	Carbon chip 100 kohm 1/16W	
R216FR	963 9004 083	Carbon chip 100 kohm 1/16W	
R217	963 9004 151	Carbon chip 15 kohm 1/16W	for E3,EU,ASIA
R217FL	963 9004 410	Carbon chip 6.2 kohm 1/16W	
R217FR	963 9004 410	Carbon chip 6.2 kohm 1/16W	
R218	963 9004 177	Carbon chip 18 kohm 1/16W	for E2,EK
R218	963 9004 070	Carbon chip 10 kohm 1/16W	for ASIA
R219	963 9004 070	Carbon chip 10 kohm 1/16W	

Ref. No.	Part No.	Part Name	Remarks
R220	963 9004 070	Carbon chip 10 kohm 1/16W	
R220SW	963 9004 070	Carbon chip 10 kohm 1/16W	
R221SW	963 9005 707	Carbon chip 3.6 kohm 1/16W	
R222SW	960 9009 775	Carbon chip 9.1 kohm 1/16W	
R223	963 9004 070	Carbon chip 10 kohm 1/16W	for E2,EK
R223SW	963 9003 385	Carbon chip 100 ohm 1/16W	
R224	963 9004 070	Carbon chip 10 kohm 1/16W	for E2,EK
R224SW	963 9004 083	Carbon chip 100 kohm 1/16W	
R225	963 9004 245	Carbon chip 2.2 Mohm 1/16W	for E2,EK
R229	244 2051 961	Metal film 100 ohm 1W	
R230	244 2051 961	Metal film 100 ohm 1W	
R237	963 9003 398	Carbon chip 1 kohm 1/16W	
R239C	963 9004 083	Carbon chip 100 kohm 1/16W	
R239FL	963 9004 083	Carbon chip 100 kohm 1/16W	
R239FR	963 9004 083	Carbon chip 100 kohm 1/16W	
R239SL	963 9004 083	Carbon chip 100 kohm 1/16W	
R239SR	963 9004 083	Carbon chip 100 kohm 1/16W	
R239SW	963 9004 083	Carbon chip 100 kohm 1/16W	
R240C	963 9003 385	Carbon chip 100 ohm 1/16W	
R240FL	963 9003 385	Carbon chip 100 ohm 1/16W	
R240FR	963 9003 385	Carbon chip 100 ohm 1/16W	
R240SL	963 9003 385	Carbon chip 100 ohm 1/16W	
R240SR	963 9003 385	Carbon chip 100 ohm 1/16W	
R240SW	963 9003 385	Carbon chip 100 ohm 1/16W	
R241C	963 9004 083	Carbon chip 100 kohm 1/16W	
R241FL	963 9004 083	Carbon chip 100 kohm 1/16W	
R241FR	963 9004 083	Carbon chip 100 kohm 1/16W	
R241SL	963 9004 083	Carbon chip 100 kohm 1/16W	
R241SR	963 9004 083	Carbon chip 100 kohm 1/16W	
R241SW	963 9004 083	Carbon chip 100 kohm 1/16W	
R242C	963 9004 478	Carbon chip 7.5 kohm 1/16W	
R242FL	963 9004 478	Carbon chip 7.5 kohm 1/16W	
R242FR	963 9004 478	Carbon chip 7.5 kohm 1/16W	
R242SL	963 9004 478	Carbon chip 7.5 kohm 1/16W	
R242SR	963 9004 478	Carbon chip 7.5 kohm 1/16W	
R242SW	963 9004 449	Carbon chip 6.8 kohm 1/16W	
R244C	963 9005 671	Carbon chip 1.3 kohm 1/16W	
R244FL	963 9005 671	Carbon chip 1.3 kohm 1/16W	
R244FR	963 9005 671	Carbon chip 1.3 kohm 1/16W	
R244SL	963 9005 671	Carbon chip 1.3 kohm 1/16W	
R244SR	963 9005 671	Carbon chip 1.3 kohm 1/16W	
R244SW	963 9004 407	Carbon chip 620 ohm 1/16W	
R245C	963 9004 083	Carbon chip 100 kohm 1/16W	
R245FL	963 9004 083	Carbon chip 100 kohm 1/16W	
R245FR	963 9004 083	Carbon chip 100 kohm 1/16W	
R245SL	963 9004 083	Carbon chip 100 kohm 1/16W	
R245SR	963 9004 083	Carbon chip 100 kohm 1/16W	
R245SW	963 9004 083	Carbon chip 100 kohm 1/16W	
R246C	963 9004 083	Carbon chip 100 kohm 1/16W	
R246SL	963 9004 083	Carbon chip 100 kohm 1/16W	
R246SR	963 9004 083	Carbon chip 100 kohm 1/16W	
R246SW	963 9004 083	Carbon chip 100 kohm 1/16W	

Ref. No.	Part No.	Part Name	Remarks	Ref. No.	Part No.	Part Name	Remarks
R247C	963 9004 339	Carbon chip 470 ohm 1/16W		R355	963 9004 847	Carbon chip 3.3 kohm 1/16W	
R247SL	963 9004 339	Carbon chip 470 ohm 1/16W		R355FL	963 9004 397	Carbon chip 56 kohm 1/16W	
R247SR	963 9004 339	Carbon chip 470 ohm 1/16W		R356	963 9003 398	Carbon chip 1 kohm 1/16W	
R247SW	963 9004 339	Carbon chip 470 ohm 1/16W		R356FL	963 9004 397	Carbon chip 56 kohm 1/16W	
R250	963 9004 368	Carbon chip 470 kohm 1/16W		R357FL	963 9004 397	Carbon chip 56 kohm 1/16W	
R251	963 9004 368	Carbon chip 470 kohm 1/16W		R358FL	963 9004 397	Carbon chip 56 kohm 1/16W	
R252	963 9004 847	Carbon chip 3.3 kohm 1/16W		R359FL	963 9004 397	Carbon chip 56 kohm 1/16W	
R253	963 9003 398	Carbon chip 1 kohm 1/16W		R360FL	963 9004 397	Carbon chip 56 kohm 1/16W	
R255	963 9004 368	Carbon chip 470 kohm 1/16W		R361	963 9004 070	Carbon chip 10 kohm 1/16W	
R261	963 9004 122	Carbon chip 12 kohm 1/16W		R361FL	963 9004 397	Carbon chip 56 kohm 1/16W	
R262	963 9004 070	Carbon chip 10 kohm 1/16W		R362FL	963 9004 397	Carbon chip 56 kohm 1/16W	
R263	963 9004 122	Carbon chip 12 kohm 1/16W		R363FL	963 9004 397	Carbon chip 56 kohm 1/16W	
R264	963 9004 122	Carbon chip 12 kohm 1/16W		R364FL	963 9004 397	Carbon chip 56 kohm 1/16W	
R265	963 9004 339	Carbon chip 470 ohm 1/16W		R365FL	963 9004 397	Carbon chip 56 kohm 1/16W	
R266	963 9004 339	Carbon chip 470 ohm 1/16W		R366FL	963 9004 397	Carbon chip 56 kohm 1/16W	
R267	963 9004 339	Carbon chip 470 ohm 1/16W		R367FL	963 9004 397	Carbon chip 56 kohm 1/16W	
R268	963 9004 339	Carbon chip 470 ohm 1/16W		R368FL	963 9004 397	Carbon chip 56 kohm 1/16W	
R269	963 9004 339	Carbon chip 470 ohm 1/16W		R369FL	963 9004 397	Carbon chip 56 kohm 1/16W	
R270	963 9004 339	Carbon chip 470 ohm 1/16W		R370FL	963 9004 397	Carbon chip 56 kohm 1/16W	
R271	963 9004 339	Carbon chip 470 ohm 1/16W		R371FL	963 9004 397	Carbon chip 56 kohm 1/16W	
R301B	963 9004 119	Carbon chip 1.2 kohm 1/16W		R372FL	963 9004 397	Carbon chip 56 kohm 1/16W	
R302A	963 9006 052	Carbon chip 1.5 kohm 1/16W		R373FL	963 9004 397	Carbon chip 56 kohm 1/16W	
R302B	963 9006 052	Carbon chip 1.5 kohm 1/16W		R374FL	963 9004 397	Carbon chip 56 kohm 1/16W	
R303B	960 9009 717	Carbon chip 1.8 kohm 1/16W		R375FL	963 9004 397	Carbon chip 56 kohm 1/16W	
R304A	963 9005 040	Carbon chip 2.4 kohm 1/16W		R376FL	963 9004 397	Carbon chip 56 kohm 1/16W	
R310	963 9004 436	Carbon chip 680 ohm 1/16W		R377FL	963 9004 397	Carbon chip 56 kohm 1/16W	
R336	963 9004 465	Carbon chip 75 ohm 1/16W		R378FL	963 9004 397	Carbon chip 56 kohm 1/16W	
R337	963 9004 355	Carbon chip 47 kohm 1/16W		R379FL	963 9004 397	Carbon chip 56 kohm 1/16W	
R338	963 9004 339	Carbon chip 470 ohm 1/16W		R380FL	963 9004 397	Carbon chip 56 kohm 1/16W	
R339	963 9004 465	Carbon chip 75 ohm 1/16W		R381FL	963 9004 397	Carbon chip 56 kohm 1/16W	
R340	963 9004 436	Carbon chip 680 ohm 1/16W		R382FL	963 9004 397	Carbon chip 56 kohm 1/16W	
R341	963 9004 436	Carbon chip 680 ohm 1/16W		R383FL	963 9004 397	Carbon chip 56 kohm 1/16W	
R342	963 9004 436	Carbon chip 680 ohm 1/16W		R384FL	963 9004 397	Carbon chip 56 kohm 1/16W	
R343	963 9004 436	Carbon chip 680 ohm 1/16W		R385FL	963 9004 397	Carbon chip 56 kohm 1/16W	
R344	963 9004 070	Carbon chip 10 kohm 1/16W		R386FL	963 9004 397	Carbon chip 56 kohm 1/16W	
R344	963 9004 465	Carbon chip 75 ohm 1/16W		R387FL	963 9004 397	Carbon chip 56 kohm 1/16W	
R345	963 9004 436	Carbon chip 680 ohm 1/16W		R388FL	963 9004 397	Carbon chip 56 kohm 1/16W	
R346	963 9004 436	Carbon chip 680 ohm 1/16W		R389FL	963 9004 397	Carbon chip 56 kohm 1/16W	
R347	963 9004 436	Carbon chip 680 ohm 1/16W		R390FL	963 9004 397	Carbon chip 56 kohm 1/16W	
R348	963 9004 436	Carbon chip 680 ohm 1/16W		R391FL	963 9004 397	Carbon chip 56 kohm 1/16W	
R349	963 9004 339	Carbon chip 470 ohm 1/16W		R392FL	963 9004 397	Carbon chip 56 kohm 1/16W	
R349FL	963 9004 397	Carbon chip 56 kohm 1/16W		R393FL	963 9004 397	Carbon chip 56 kohm 1/16W	
R350	963 9004 245	Carbon chip 2.2 Mohm 1/16W		R394FL	963 9004 397	Carbon chip 56 kohm 1/16W	
R350FL	963 9004 397	Carbon chip 56 kohm 1/16W		R395FL	963 9004 397	Carbon chip 56 kohm 1/16W	
R351	963 9004 245	Carbon chip 2.2 Mohm 1/16W		R396FL	963 9004 397	Carbon chip 56 kohm 1/16W	
R351FL	963 9004 397	Carbon chip 56 kohm 1/16W		R397FL	963 9004 397	Carbon chip 56 kohm 1/16W	
R352	963 9004 070	Carbon chip 10 kohm 1/16W		R398FL	963 9004 397	Carbon chip 56 kohm 1/16W	
R352FL	963 9004 397	Carbon chip 56 kohm 1/16W		R399FL	963 9004 397	Carbon chip 56 kohm 1/16W	
R353	963 9003 398	Carbon chip 1 kohm 1/16W		R400FL	963 9004 397	Carbon chip 56 kohm 1/16W	
R353FL	963 9004 397	Carbon chip 56 kohm 1/16W		R401FL	963 9004 397	Carbon chip 56 kohm 1/16W	
R354FL	963 9004 397	Carbon chip 56 kohm 1/16W		R402FL	963 9004 397	Carbon chip 56 kohm 1/16W	

Ref. No.	Part No.	Part Name	Remarks	Ref. No.	Part No.	Part Name	Remarks
R407	963 9004 342	Carbon chip 4.7 kohm 1/16W		C227	963 9005 765	Electrolytic 10uF/35V	
R601BL	963 9003 385	Carbon chip 100 ohm 1/16W		C228	963 9004 575	Ceramic chip 100pF/50V	
R601BR	963 9003 385	Carbon chip 100 ohm 1/16W		C229	963 9004 575	Ceramic chip 100pF/50V	
R602BL	963 9006 065	Carbon chip 200 kohm 1/16W		C230	963 9004 575	Ceramic chip 100pF/50V	
R602BR	963 9006 065	Carbon chip 200 kohm 1/16W		C230C	963 9005 914	Electrolytic 4.7uF/50V	
R603BL	963 9006 065	Carbon chip 200 kohm 1/16W		C231	963 9004 575	Ceramic chip 100pF/50V	
R603BR	963 9006 065	Carbon chip 200 kohm 1/16W		C231C	963 9005 914	Electrolytic 4.7uF/50V	
R604BL	963 9003 385	Carbon chip 100 ohm 1/16W		C231FL	963 9005 765	Electrolytic 10uF/35V	
R604BR	963 9003 385	Carbon chip 100 ohm 1/16W		C231FR	963 9005 765	Electrolytic 10uF/35V	
R605BL	963 9004 083	Carbon chip 100 kohm 1/16W		C231SL	963 9005 914	Electrolytic 4.7uF/50V	
R605BR	963 9004 083	Carbon chip 100 kohm 1/16W		C231SR	963 9005 914	Electrolytic 4.7uF/50V	
				C231SW	963 9005 914	Electrolytic 4.7uF/50V	
CAPACITORS GROUP				C232	963 9004 575	Ceramic chip 100pF/50V	
BC201	963 0061 504	Electrolytic 8200uF/5.5V		C232C	963 9004 669	Ceramic chip 56pF/50V	
C202	963 9004 698	Ceramic chip 0.01uF/50V		C232FL	963 9004 669	Ceramic chip 56pF/50V	
C203	963 9004 698	Ceramic chip 0.01uF/50V		C232FR	963 9004 669	Ceramic chip 56pF/50V	
C204	963 9005 914	Electrolytic 4.7uF/50V		C232SL	963 9004 630	Ceramic chip 39pF/50V	
C205	963 9004 562	Ceramic 0.047uF/50V		C232SR	963 9004 630	Ceramic chip 39pF/50V	
C206	963 9005 309	Electrolytic 47uF/10V	for E2,EK	C232SW	963 9004 669	Ceramic chip 56pF/50V	
C207	963 9004 546	Ceramic 0.01uF/16V	for E2,EK	C233	963 9004 575	Ceramic chip 100pF/50V	
C208	963 9004 805	Ceramic 270pF/50V	for E2,EK	C234	963 9004 575	Ceramic chip 100pF/50V	
C209	963 9005 765	Electrolytic 10uF/35V	for E2,EK	C235SW	963 9004 575	Ceramic chip 100pF/50V	
C210	963 9004 698	Ceramic chip 0.01uF/50V	for E2,EK	C238	963 9005 927	Electrolytic 0.1uF/50V	
C211	963 9004 614	Ceramic chip 27pF/50V	for E2,EK	C239	963 9004 753	Ceramic chip 0.047uF/50V	
C211SW	963 9004 575	Ceramic chip 100pF/50V		C240	963 9005 749	Electrolytic 1uF/50V	
C212	963 9004 614	Ceramic chip 27pF/50V	for E2,EK	C241	963 9005 765	Electrolytic 10uF/35V	
C212SW	963 9004 643	Ceramic chip 47pF/50V		C242	963 9004 685	Ceramic chip 1000pF/50V	
C213	963 9004 753	Ceramic chip 0.047uF/50V		C243	963 9004 753	Ceramic chip 0.047uF/50V	
C213FL	963 9004 575	Ceramic chip 100pF/50V		C244	963 9004 753	Ceramic chip 0.047uF/50V	
C213FR	963 9004 575	Ceramic chip 100pF/50V		C245	963 9004 575	Ceramic chip 100pF/50V	
C214	963 9004 753	Ceramic chip 0.047uF/50V		C246	963 9005 765	Electrolytic 10uF/35V	
C215	963 9004 753	Ceramic chip 0.047uF/50V		C247	963 9004 575	Ceramic chip 100pF/50V	
C216	963 9004 753	Ceramic chip 0.047uF/50V		C248	963 9004 685	Ceramic chip 1000pF/50V	
C217	963 9004 753	Ceramic chip 0.047uF/50V		C249	963 9004 737	Ceramic chip 0.022uF/25V	
C218	963 9004 753	Ceramic chip 0.047uF/50V		C250	963 9004 575	Ceramic chip 100pF/50V	
C218FL	963 9004 627	Ceramic chip 33pF/50V		C301	963 9004 698	Ceramic chip 0.01uF/50V	
C218FR	963 9004 627	Ceramic chip 33pF/50V		C3010	963 9005 309	Electrolytic 47uF/10V	
C219	963 9004 753	Ceramic chip 0.047uF/50V		C302	963 9004 698	Ceramic chip 0.01uF/50V	
C219FL	963 9005 765	Electrolytic 10uF/35V		C3020	963 9004 559	Ceramic 0.1uF/50V	
C219FR	963 9005 765	Electrolytic 10uF/35V		C303	963 9004 698	Ceramic chip 0.01uF/50V	
C219SW	963 9005 765	Electrolytic 10uF/35V		C3030	963 9004 591	Ceramic chip 22pF/50V	
C220	963 9005 765	Electrolytic 10uF/35V		C304	963 9004 698	Ceramic chip 0.01uF/50V	
C221	960 9009 911	Electrolytic 100uF/10V		C305	963 9004 685	Ceramic chip 1000pF/50V	
C221FL	963 9005 914	Electrolytic 4.7uF/50V		C306	963 9004 575	Ceramic chip 100pF/50V	
C221FR	963 9005 914	Electrolytic 4.7uF/50V		C307	963 9004 575	Ceramic chip 100pF/50V	
C222SW	963 9005 914	Electrolytic 4.7uF/50V		C308	963 9005 406	Ceramic chip 30pF/50V	
C223SL	963 9005 914	Electrolytic 4.7uF/50V		C309	963 9004 737	Ceramic chip 0.022uF/25V	
C223SR	963 9005 914	Electrolytic 4.7uF/50V		C310	963 9004 562	Ceramic 0.047uF/50V	
C225	963 9004 753	Ceramic chip 0.047uF/50V		C312	963 9004 753	Ceramic chip 0.047uF/50V	
C226	963 9004 753	Ceramic chip 0.047uF/50V		C314	963 0021 900	Mylar film 0.047uF/100V	
				C315	963 9005 749	Electrolytic 1uF/50V	

Ref. No.	Part No.	Part Name	Remarks	Q'ty	Ref. No.	Part No.	Part Name	Remarks	Q'ty
C316	963 9005 778	Electrolytic 10uF/50V							
C317	963 9005 862	Electrolytic 47uF/16V			J324	963 9003 369	Carbon chip 0 ohm 1/8W		1
C318	963 0021 900	Mylar film 0.047uF/100V			J325	963 9003 369	Carbon chip 0 ohm 1/8W		1
C319	963 9005 862	Electrolytic 47uF/16V			J340	963 9003 369	Carbon chip 0 ohm 1/8W		1
C320	963 9005 749	Electrolytic 1uF/50V			J342	963 9003 369	Carbon chip 0 ohm 1/8W		1
C321	963 0021 900	Mylar film 0.047uF/100V			J343	963 9003 369	Carbon chip 0 ohm 1/8W		1
C322	963 9005 309	Electrolytic 47uF/10V			JACK301	963 0084 206	3P pin jack		1
C323	963 9004 766	Mylar film 0.1uF/100V			JACK301	963 0102 104	1P S terminal		1
C324	963 9005 914	Electrolytic 4.7uF/50V			L301	960 0010 307	Inductor 10uH		1
C325	963 9004 575	Ceramic chip 100pF/50V			L3010	960 0215 908	Inductor 4.7uH		1
C326	963 9005 914	Electrolytic 4.7uF/50V			L302	960 0128 008	Inductor 100uH		1
C327	963 9005 914	Electrolytic 4.7uF/50V			SW301A	963 0095 305	Tact switch		1
C328	963 9004 753	Ceramic chip 0.047uF/50V			SW301C	963 0045 708	Tact switch		1
C329	963 9006 133	Electrolytic 4.7uF/16V			SW302A	963 0095 305	Tact switch		1
C330	963 9006 133	Electrolytic 4.7uF/16V			SW302B	963 0095 305	Tact switch		1
C601BL	963 9005 914	Electrolytic 4.7uF/50V			SW302C	963 0045 708	Tact switch		1
C601BR	963 9005 914	Electrolytic 4.7uF/50V			SW302C	963 0045 708	Tact switch		1
C602BL	963 9004 698	Ceramic chip 0.01uF/50V			SW303A	963 0095 305	Tact switch		1
C602BR	963 9004 698	Ceramic chip 0.01uF/50V			SW303B	963 0095 305	Tact switch		1
C603BL	963 9005 765	Electrolytic 10uF/35V			SW303C	963 0045 708	Tact switch		1
C603BR	963 9005 765	Electrolytic 10uF/35V			SW303C	963 0045 708	Tact switch		1
OTHER PARTS GROUP				Q'ty	SW304A	963 0095 305	Tact switch		1
CB201	963 0053 800	Beads inductor		1	SW304B	963 0095 305	Tact switch		1
CB202	963 0053 800	Beads inductor		1	SW304C	963 0045 708	Tact switch		1
CN303	963 0102 502	22P FFC connector base		1	SW304C	963 0045 708	Tact switch		1
CN502	960 0252 107	4P connector base (TUC-P)		1	SW305A	963 0095 305	Tact switch		1
CN604	963 0106 508	6P wire		1	SW305B	963 0045 708	Tact switch		1
CN605	963 0106 605	3P wire		1	SW305C	963 0045 708	Tact switch		1
CN606	963 0106 702	5P wire		1	SW306A	963 0095 305	Tact switch		1
CN609	963 0048 909	3P connector base		1	SW306C	963 0045 708	Tact switch		1
CP201	963 0087 805	11P connector base (TUC-P)		1	SW307A	963 0095 305	Tact switch		1
CP301	963 0102 405	22P FFC connector base		1	SW307C	963 0045 708	Tact switch		1
CP303	963 0049 102	3P connector base		1	SW308A	963 0095 305	Tact switch		1
CP391	963 0106 809	7P wire		1	SW308C	963 0045 708	Tact switch		1
CP401	963 0087 407	16P connector base (TUC-P)		1	SW308C	963 0045 708	Tact switch		1
CP551	963 0087 504	19P connector base (TUC-P)		1	SW309A	963 0095 305	Tact switch		1
CP552	963 0087 504	19P connector base (TUC-P)		1	SW309C	963 0045 708	Tact switch		1
CP601	963 0087 504	19P connector base (TUC-P)		1	VEC301	963 0102 007	Encoder SW		1
CP602	963 0086 903	5P connector base (TUC-P)		1	VEC302	963 0102 007	Encoder SW		1
CP603	963 0087 009	6P connector base (TUC-P)		1	X201	960 0181 003	Resonator CST12.0MTW-TF01		1
CP701	963 0087 902	17P connector base (TUC-P)		1	X202	963 0099 505	Crystl 4.332MHz	for E2,EK	1
CP702	963 0087 805	11P connector base (TUC-P)		1	—	960 0260 005	Wire clamp		2
CP801	963 0087 407	16P connector base (TUC-P)		1	—	960 0184 408	FLT holder		1
CP802	963 0087 504	19P connector base (TUC-P)		1	—	960 0180 509	FLT (16-ST-42GNK)		1
CP803	963 0087 601	8P connector base (TUC-P)		1					
CP901	963 0060 806	11P connector base		1					
GP303	—	1P contact Ass'y		1					

CNT P.W.B. ASS'Y

Ref. No.	Part No.	Part Name	Remarks	Ref. No.	Part No.	Part Name	Remarks
SEMICONDUCTORS GROUP							
IC201RM	960 0174 104	IC CXA1511M		Q651	960 0005 105	Transistor KTA1266Y	
IC401	963 0043 700	IC LC72131		Q652	960 0005 105	Transistor KTA1266Y	
IC402	963 0043 904	IC LA1266		Q653	960 0005 105	Transistor KTA1266Y	
IC403	963 0044 000	IC LA3401		Q654	960 0005 105	Transistor KTA1266Y	
IC551	960 0174 502	IC NJM2068DD		Q655	960 0005 105	Transistor KTA1266Y	
IC552	963 0043 506	IC TC9184AP		Q656	960 0005 105	Transistor KTA1266Y	
IC603D	963 0083 304	IC BA7626		D201RM	960 0095 704	Zener diode MTZJ6.2B	
IC604D	963 0083 304	IC BA7626		D403	960 0197 000	Diode KDS160	
IC605D	960 0175 200	IC BA7625		D404	963 0096 508	Diode 1N4148	
IC651	963 0083 304	IC BA7626		D405	963 0096 508	Diode 1N4148	
IC652	963 0083 304	IC BA7626		D406	963 0096 508	Diode 1N4148	
IC653	963 0083 304	IC BA7626		D551	963 0096 508	Diode 1N4148	
IC654	963 0083 304	IC BA7626		D551T	963 0096 508	Diode 1N4148	
IC663	963 0057 806	IC KIA78R05PI		D552	963 0096 508	Diode 1N4148	
Q201RM	269 0093 904	Transistor DTA144ES		D553	963 0096 508	Diode 1N4148	
Q401	960 0189 102	Transistor KTC3880S-O		D554	963 0096 508	Diode 1N4148	
Q402	269 0083 901	Transistor DTA114EK		D555	963 0096 508	Diode 1N4148	
Q403	269 0083 901	Transistor DTA114EK		D556	963 0096 508	Diode 1N4148	
Q404	269 0083 901	Transistor DTA114EK		D557	963 0096 508	Diode 1N4148	
Q405	960 0196 603	Transistor KTC2874B		D558	963 0096 508	Diode 1N4148	
Q406	960 0196 603	Transistor KTC2874B		D559	963 0096 508	Diode 1N4148	
Q407	963 0024 208	Transistor DTC114YK		D560	963 0096 508	Diode 1N4148	
Q408	269 0083 901	Transistor DTA114EK		D561	963 0096 508	Diode 1N4148	
Q409	960 0189 102	Transistor KTC3880S-O	for E2,EK	D562	963 0058 407	Diode 1N4007	
Q551	960 0196 700	Transistor KTC3200BL		D563	963 0058 407	Diode 1N4007	
Q551SW	960 0196 603	Transistor KTC2874B		D564	963 0096 508	Diode 1N4148	
Q552	960 0196 302	Transistor KTA1268BL		D565	960 0095 500	Zener diode MTZJ5.1B	
Q552SW	960 0196 603	Transistor KTC2874B		D566	963 0096 508	Diode 1N4148	
Q553	269 0083 901	Transistor DTA114EK		D567	963 0096 508	Diode 1N4148	
Q553T	960 0196 904	Transistor DTC114YS (NPN)		D568C	963 0096 508	Diode 1N4148	
Q554	269 0046 906	Transistor DTA114ES		D569C	963 0096 508	Diode 1N4148	
Q555	269 0046 906	Transistor DTA114ES		D570C	963 0096 508	Diode 1N4148	
Q556	269 0083 901	Transistor DTA114EK		D601D	960 0197 000	Diode KDS160	
Q557C	960 0217 003	Transistor 2SA1037KT		D602D	960 0197 000	Diode KDS160	
Q558C	963 0024 208	Transistor DTC114YK		D651	960 0197 000	Diode KDS160	
Q601D	960 0005 105	Transistor KTA1266Y		D652	960 0197 000	Diode KDS160	
Q602D	960 0005 105	Transistor KTA1266Y		D653	960 0197 000	Diode KDS160	
Q603D	960 0005 105	Transistor KTA1266Y		D654	960 0197 000	Diode KDS160	
Q607	963 0102 900	Transistor DTC114TK		D655	960 0197 000	Diode KDS160	
Q608	963 0102 900	Transistor DTC114TK		D656	960 0197 000	Diode KDS160	
Q609	963 0102 900	Transistor DTC114TK		D657	963 0058 407	Diode 1N4007	
Q610	963 0102 900	Transistor DTC114TK		D658	963 0058 407	Diode 1N4007	
Q611	963 0102 900	Transistor DTC114TK		D659S	963 0096 508	Diode 1N4148	
Q612	963 0102 900	Transistor DTC114TK		D901	960 0197 000	Diode KDS160	
				D902	960 0197 000	Diode KDS160	
				ZD401	960 0095 500	Zener diode MTZJ5.1B	

Ref. No.	Part No.	Part Name	Remarks	Ref. No.	Part No.	Part Name	Remarks
RESISTORS GROUP				R444	963 9004 847	Carbon chip 3.3 kohm 1/16W	for E2,EK
R201RM	963 9003 398	Carbon chip 1 kohm 1/16W		R445	963 9004 481	Carbon chip 8.2 kohm 1/16W	for E3,EU,ASIA
R202RM	963 9004 300	Carbon chip 39 kohm 1/16W		R445	963 9004 847	Carbon chip 3.3 kohm 1/16W	for E2,EK
R203RM	963 9003 398	Carbon chip 1 kohm 1/16W		R448	963 9004 216	Carbon chip 2.2 kohm 1/16W	
R204RM	963 9004 339	Carbon chip 470 ohm 1/16W		R449	963 9005 037	Carbon chip 3.9 kohm 1/16W	for E2,EK
R205RM	963 9006 065	Carbon chip 200 kohm 1/16W		R450	963 9003 398	Carbon chip 1 kohm 1/16W	for E2,EK
R206RM	963 9003 385	Carbon chip 100 ohm 1/16W		R455	963 9004 876	Carbon chip 330 ohm 1/16W	
R401	963 9004 821	Carbon chip ,PO ohm 1/16W		R456	963 9003 385	Carbon chip 100 ohm 1/16W	
R403	963 9004 339	Carbon chip 470 ohm 1/16W		R457	963 9003 385	Carbon chip 100 ohm 1/16W	for ASIA
R404	963 9004 083	Carbon chip 100 kohm 1/16W		R458	963 9004 342	Carbon chip 4.7 kohm 1/16W	
R405	960 9003 807	Metal film 100 ohm 1/4W		R459	963 9004 342	Carbon chip 4.7 kohm 1/16W	
R406	963 9004 342	Carbon chip 4.7 kohm 1/16W		R470	963 9003 398	Carbon chip 1 kohm 1/16W	
R407	963 9004 407	Carbon chip 620 ohm 1/16W	for E3,EU,ASIA	R471VT	963 9004 203	Carbon chip 220 ohm 1/16W	
R407	963 9004 436	Carbon chip 680 ohm 1/16W	for E2,EK	R472	963 9003 385	Carbon chip 100 ohm 1/16W	for E2,EK
R408	963 9004 119	Carbon chip 1.2 kohm 1/16W	for E3,EU,ASIA	R474	963 9004 889	Carbon chip 180 ohm 1/16W	for E3,EU,E2,EK
R408	963 9004 436	Carbon chip 680 ohm 1/16W	for E2,EK	R475	963 9004 122	Carbon chip 12 kohm 1/16W	
R409	963 9004 339	Carbon chip 470 ohm 1/16W		R476	963 9004 397	Carbon chip 56 kohm 1/16W	
R411	963 9004 452	Carbon chip 68 kohm 1/16W		R478	963 9004 070	Carbon chip 10 kohm 1/16W	
R412	963 9004 834	Carbon chip 5.6 kohm 1/16W		R479	963 9004 083	Carbon chip 100 kohm 1/16W	
R413	960 9006 503	Metal film 220ohm 1/4W		R551SW	963 9004 339	Carbon chip 470 ohm 1/16W	
R414	963 9004 216	Carbon chip 2.2 kohm 1/16W		R552SW	963 9004 339	Carbon chip 470 ohm 1/16W	
R415	963 9003 398	Carbon chip 1 kohm 1/16W		R553FL	963 9004 083	Carbon chip 100 kohm 1/16W	
R416	963 9005 561	Metal oxide 680 ohm 1W		R553FR	963 9004 083	Carbon chip 100 kohm 1/16W	
R417	963 9003 398	Carbon chip 1 kohm 1/16W		R553SW	963 9004 229	Carbon chip 22 kohm 1/16W	
R418	963 9004 274	Carbon chip 33 kohm 1/16W		R553T	963 9003 398	Carbon chip 1 kohm 1/16W	
R420	963 9004 847	Carbon chip 3.3 kohm 1/16W		R554SW	963 9004 070	Carbon chip 10 kohm 1/16W	
R426	963 9004 070	Carbon chip 10 kohm 1/16W		R554T	960 9004 301	Metal film 47 ohm 1/4W	
R427	963 9004 070	Carbon chip 10 kohm 1/16W		R555SW	963 9004 083	Carbon chip 100 kohm 1/16W	
R428	963 9004 847	Carbon chip 3.3 kohm 1/16W	for E3,EU	R558FL	963 9004 342	Carbon chip 4.7 kohm 1/16W	
R428	963 9004 070	Carbon chip 10 kohm 1/16W	for E2,EK	R558FR	963 9004 342	Carbon chip 4.7 kohm 1/16W	
R428	963 9004 449	Carbon chip 6.8 kohm 1/16W	for ASIA	R559	963 9005 642	Metal film 1.2 kohm 1W	
R429	963 9004 850	Carbon chip 82 ohm 1/16W		R559FL	963 9004 229	Carbon chip 22 kohm 1/16W	
R430	960 9003 807	Metal film 100 ohm 1/4W		R559FR	963 9004 229	Carbon chip 22 kohm 1/16W	
R431	963 9004 371	Carbon chip 5.1 kohm 1/16W		R560FL	963 9004 384	Carbon chip 510 kohm 1/16W	
R432	963 9004 070	Carbon chip 10 kohm 1/16W		R560FR	963 9004 384	Carbon chip 510 kohm 1/16W	
R434	960 9003 807	Metal film 100 ohm 1/4W		R561FL	963 9004 274	Carbon chip 33 kohm 1/16W	
R435	963 9004 847	Carbon chip 3.3 kohm 1/16W		R561FR	963 9004 274	Carbon chip 33 kohm 1/16W	
R437	963 9004 083	Carbon chip 100 kohm 1/16W		R563FL	963 9004 290	Carbon chip 390 ohm 1/16W	
R438	963 9004 083	Carbon chip 100 kohm 1/16W	for E3,EU,ASIA	R563FR	963 9004 290	Carbon chip 390 ohm 1/16W	
R438	963 9004 164	Carbon chip 150 kohm 1/16W	for E2,EK	R564FL	963 9004 339	Carbon chip 470 ohm 1/16W	
R439	963 9004 083	Carbon chip 100 kohm 1/16W	for E3,EU,ASIA	R564FR	963 9004 339	Carbon chip 470 ohm 1/16W	
R439	963 9004 164	Carbon chip 150 kohm 1/16W	for E2,EK	R565	963 9005 642	Metal film 1.2 kohm 1W	
R440	963 9004 863	Carbon chip 120 kohm 1/16W	for E3,EU,ASIA	R567FL	963 9004 368	Carbon chip 470 kohm 1/16W	
R440	963 9004 232	Carbon chip 220 kohm 1/16W	for E2,EK	R567FR	963 9004 368	Carbon chip 470 kohm 1/16W	
R441	963 9004 863	Carbon chip 120 kohm 1/16W	for E3,EU,ASIA	R570	963 9005 642	Metal film 1.2 kohm 1W	
R441	963 9004 232	Carbon chip 220 kohm 1/16W	for E2,EK	R582C	963 9004 847	Carbon chip 3.3 kohm 1/16W	
R442	963 9004 847	Carbon chip 3.3 kohm 1/16W	for E3,EU,ASIA	R583C	963 9003 398	Carbon chip 1 kohm 1/16W	
R442	963 9004 216	Carbon chip 2.2 kohm 1/16W	for E2,EK	R651	963 9004 465	Carbon chip 75 ohm 1/16W	
R443	963 9004 847	Carbon chip 3.3 kohm 1/16W	for E3,EU,ASIA	R651T	244 2043 982	Metal oxide 0.22 ohm 1W	
R443	963 9004 216	Carbon chip 2.2 kohm 1/16W	for E2,EK	R652	963 9004 465	Carbon chip 75 ohm 1/16W	
R444	963 9004 481	Carbon chip 8.2 kohm 1/16W	for E3,EU,ASIA				

Ref. No.	Part No.	Part Name	Remarks	Ref. No.	Part No.	Part Name	Remarks
R652T	244 2043 982	Metal oxide 0.22 ohm 1W		C203RM	960 9008 653	Mylar film 0.012uF/100V	
R653	963 9004 465	Carbon chip 75 ohm 1/16W		C204RM	963 9005 749	Electrolytic 1uF/50V	
R654	963 9004 465	Carbon chip 75 ohm 1/16W		C205RM	960 9008 653	Mylar film 0.012uF/100V	
R655	963 9004 465	Carbon chip 75 ohm 1/16W		C206RM	963 9005 309	Electrolytic 47uF/10V	
R656	963 9004 465	Carbon chip 75 ohm 1/16W		C246SW	963 9005 914	Electrolytic 4.7uF/50V	
R657	963 9004 465	Carbon chip 75 ohm 1/16W		C401	963 9004 685	Ceramic chip 1000pF/50V	
R658	963 9004 465	Carbon chip 75 ohm 1/16W		C402	963 9004 685	Ceramic chip 1000pF/50V	
R659	963 9005 943	Carbon chip 68 ohm 1/16W		C403	963 9004 737	Ceramic chip 0.022uF/25V	
R660	963 9004 070	Carbon chip 10 kohm 1/16W		C404	963 9004 892	Ceramic 2pF/50V	
R661	960 9003 807	Metal film 100 ohm 1/4W		C405	963 9004 737	Ceramic chip 0.022uF/25V	
R662	963 9005 943	Carbon chip 68 ohm 1/16W		C406	963 9004 902	Ceramic chip 18pF/50V	
R663	963 9004 070	Carbon chip 10 kohm 1/16W		C408	960 9004 709	Ceramic 6pF/50V	
R664	960 9003 807	Metal film 100 ohm 1/4W		C409	963 9004 520	Ceramic 100pF/50V	
R665	963 9005 943	Carbon chip 68 ohm 1/16W		C410	963 9004 915	Ceramic 470pF/50V	
R666	963 9004 070	Carbon chip 10 kohm 1/16W		C411	963 9004 685	Ceramic chip 1000pF/50V	
R667	960 9003 807	Metal film 100 ohm 1/4W		C412	963 9004 737	Ceramic chip 0.022uF/25V	
R671	963 9005 943	Carbon chip 68 ohm 1/16W		C413	963 9004 575	Ceramic chip 100pF/50V	
R672	963 9004 070	Carbon chip 10 kohm 1/16W		C414	963 9005 846	Electrolytic 2.2uF/50V	
R673	960 9003 807	Metal film 100 ohm 1/4W		C415	963 9005 862	Electrolytic 47uF/16V	
R674	963 9005 943	Carbon chip 68 ohm 1/16W		C416	963 9005 765	Electrolytic 10uF/35V	
R675	963 9004 070	Carbon chip 10 kohm 1/16W		C417	963 9005 794	Electrolytic 100uF/16V	
R676	960 9003 807	Metal film 100 ohm 1/4W		C418	963 9004 698	Ceramic chip 0.01uF/50V	
R677	963 9005 943	Carbon chip 68 ohm 1/16W		C419	963 9005 765	Electrolytic 10uF/35V	
R678	963 9004 070	Carbon chip 10 kohm 1/16W		C420	963 9004 591	Ceramic chip 22pF/50V	
R679	960 9003 807	Metal film 100 ohm 1/4W		C421	963 9005 998	Ceramic chip 24pF/50V	
R696	963 9003 398	Carbon chip 1 kohm 1/16W		C423	963 9004 737	Ceramic chip 0.022uF/25V	
R697	963 9003 398	Carbon chip 1 kohm 1/16W		C424	963 9004 737	Ceramic chip 0.022uF/25V	
R901	963 9004 245	Carbon chip 2.2 Mohm 1/16W		C425	963 9005 914	Electrolytic 4.7uF/50V	
R902	963 9004 245	Carbon chip 2.2 Mohm 1/16W		C426	963 9005 956	Electrolytic 3.3uF/50V	
R905	963 9004 245	Carbon chip 2.2 Mohm 1/16W		C427	963 9005 914	Electrolytic 4.7uF/50V	
R906	963 9004 245	Carbon chip 2.2 Mohm 1/16W		C428	963 9004 737	Ceramic chip 0.022uF/25V	
R907	963 9003 385	Carbon chip 100 ohm 1/16W		C430	963 0021 900	Mylar film 0.047uF/100V	
R908	963 9003 385	Carbon chip 100 ohm 1/16W		C431	963 9004 627	Ceramic chip 33pF/50V	
R909	963 9004 245	Carbon chip 2.2 Mohm 1/16W		C432	963 9005 862	Electrolytic 47uF/16V	
R910	963 9004 245	Carbon chip 2.2 Mohm 1/16W		C433	963 9004 737	Ceramic chip 0.022uF/25V	
R911	963 9003 385	Carbon chip 100 ohm 1/16W		C434	963 9005 749	Electrolytic 1uF/50V	for E3,EU
R912	963 9003 385	Carbon chip 100 ohm 1/16W		C434	963 9005 985	Electrolytic 0.33uF/50V	for E2,EK,ASIA
R916	963 9004 203	Carbon chip 220 ohm 1/16W		C435	963 9004 737	Ceramic chip 0.022uF/25V	
R920	963 9004 083	Carbon chip 100 kohm 1/16W		C436	963 9004 737	Ceramic chip 0.022uF/25V	
R923	963 9003 385	Carbon chip 100 ohm 1/16W		C437	963 9005 862	Electrolytic 47uF/16V	
R924	963 9003 385	Carbon chip 100 ohm 1/16W		C438	963 9005 749	Electrolytic 1uF/50V	
VR401	960 0096 606	Semi fixed resistor 20kohm		C439	963 9005 972	Electrolytic 0.22uF/50V	
VR402	960 0096 402	Semi fixed resistor 100kohm		C440	963 9005 749	Electrolytic 1uF/50V	
VR403	963 0052 005	Semi fixed resistor 200kohm		C441	963 9005 749	Electrolytic 1uF/50V	
CAPACITORS GROUP							
C201E	963 9004 517	Ceramic 0.022uF/50V		C442	963 9005 846	Electrolytic 2.2uF/50V	
C201RM	963 9004 698	Ceramic chip 0.01uF/50V		C443	963 9005 765	Electrolytic 10uF/35V	
C202E	963 9004 517	Ceramic 0.022uF/50V		C444	963 9005 914	Electrolytic 4.7uF/50V	
C202RM	963 9004 575	Ceramic chip 100pF/50V		C445	963 9005 765	Electrolytic 10uF/35V	
				C446	963 9004 940	Ceramic 270pF/50V	for E3,EU
				C446	963 9004 957	Ceramic 330pF/50V	for E2,EK
				C446	963 9004 931	Ceramic 180pF/50V	for ASIA

Ref. No.	Part No.	Part Name	Remarks	Ref. No.	Part No.	Part Name	Remarks
C447	963 9004 940	Ceramic 270pF/50V	for E3,EU	C561FL	960 9008 695	Mylar film 0.0068uF/100V	
C447	963 9004 957	Ceramic 330pF/50V	for E2,EK	C561FR	960 9008 695	Mylar film 0.0068uF/100V	
C447	963 9004 931	Ceramic 180pF/50V	for ASIA	C601D	963 9005 312	Electrolytic 100uF/10V	
C448	963 9004 960	Ceramic 470pF/50V	for E3,EU	C602D	963 9005 312	Electrolytic 100uF/10V	
C448	963 9004 957	Ceramic 330pF/50V	for ASIA	C603D	963 9005 312	Electrolytic 100uF/10V	
C449	963 9004 960	Ceramic 470pF/50V	for E3,EU	C604D	—	Electrolytic 470uF/6.3V	
C449	963 9004 957	Ceramic 330pF/50V	for ASIA	C605D	—	Electrolytic 470uF/6.3V	
C450	963 9005 765	Electrolytic 10uF/35V		C606D	963 9005 969	Electrolytic 4700uF/6.3V	
C451	963 9005 765	Electrolytic 10uF/35V		C607D	963 9004 698	Ceramic chip 0.01uF/50V	
C452	963 9005 794	Electrolytic 100uF/16V		C618D	963 9005 749	Electrolytic 1uF/50V	
C453	963 9004 614	Ceramic chip 27pF/50V		C619D	963 9005 749	Electrolytic 1uF/50V	
C455	963 9004 737	Ceramic chip 0.022uF/25V	for E1,E1H,E1T	C620D	963 9005 914	Electrolytic 4.7uF/50V	
C456	963 9004 672	Ceramic chip 680pF/50V		C621D	963 9004 517	Ceramic 0.022uF/50V	
C461	963 9004 591	Ceramic chip 22pF/50V		C622D	963 9005 312	Electrolytic 100uF/10V	
C462	963 9004 656	Ceramic chip 470pF/50V	for E2,EK	C623D	963 9005 914	Electrolytic 4.7uF/50V	
C463	963 9004 782	Mylar film 0.056uF/100V		C624D	963 9005 914	Electrolytic 4.7uF/50V	
C464	963 9004 973	Ceramic 3pF/50V		C625D	963 9005 749	Electrolytic 1uF/50V	
C471VT	963 9005 749	Electrolytic 1uF/50V		C626D	963 9005 749	Electrolytic 1uF/50V	
C472VT	963 9004 753	Ceramic chip 0.047uF/50V		C627D	963 9004 517	Ceramic 0.022uF/50V	
C551	963 9006 117	Electrolytic 2.2uF/50V		C628D	963 9005 312	Electrolytic 100uF/10V	
C551M	963 9005 817	Electrolytic 100uF/35V		C632D	963 9005 914	Electrolytic 4.7uF/50V	
C551S	963 9004 562	Ceramic 0.047uF/50V		C633D	963 9005 749	Electrolytic 1uF/50V	
C551T	963 9005 765	Electrolytic 10uF/35V		C634D	963 9005 749	Electrolytic 1uF/50V	
C552	963 9005 927	Electrolytic 0.1uF/50V		C635D	963 9005 914	Electrolytic 4.7uF/50V	
C552FL	963 9005 765	Electrolytic 10uF/35V		C636D	963 9004 517	Ceramic 0.022uF/50V	
C552FR	963 9005 765	Electrolytic 10uF/35V		C637D	963 9005 312	Electrolytic 100uF/10V	
C552T	963 9005 765	Electrolytic 10uF/35V		C638D	963 9005 914	Electrolytic 4.7uF/50V	
C553	963 9005 927	Electrolytic 0.1uF/50V		C651	963 9005 914	Electrolytic 4.7uF/50V	
C553FL	963 9004 575	Ceramic chip 100pF/50V		C651T	963 0021 900	Mylar film 0.047uF/100V	
C553FR	963 9004 575	Ceramic chip 100pF/50V		C652	963 9005 914	Electrolytic 4.7uF/50V	
C553T	963 9004 708	Ceramic chip 0.1uF/50V		C652T	—	Electrolytic 4700uF/16V	
C554	963 9005 927	Electrolytic 0.1uF/50V		C653	963 9005 914	Electrolytic 4.7uF/50V	
C554FL	963 9005 765	Electrolytic 10uF/35V		C653T	—	Electrolytic 4700uF/16V	
C554FR	963 9005 765	Electrolytic 10uF/35V		C654	963 9005 914	Electrolytic 4.7uF/50V	
C554T	963 9004 708	Ceramic chip 0.1uF/50V		C655	963 9005 914	Electrolytic 4.7uF/50V	
C555	963 9004 546	Ceramic 0.01uF/16V		C656	963 9005 914	Electrolytic 4.7uF/50V	
C555FL	963 9004 643	Ceramic chip 47pF/50V		C657	963 9005 914	Electrolytic 4.7uF/50V	
C555FR	963 9004 643	Ceramic chip 47pF/50V		C658	963 9005 914	Electrolytic 4.7uF/50V	
C556	963 9004 546	Ceramic 0.01uF/16V		C659	960 9010 120	Electrolytic 470uF/6.3V	
C556FL	963 9005 765	Electrolytic 10uF/35V		C660	960 9010 120	Electrolytic 10uF/50V	
C556FR	963 9005 765	Electrolytic 10uF/35V		C661	960 9010 120	Electrolytic 470uF/6.3V	
C557	963 9005 765	Electrolytic 10uF/35V		C662	960 9010 120	Electrolytic 10uF/50V	
C557FL	963 0024 703	Mylar film 0.01uF/100V		C663	960 9010 120	Electrolytic 470uF/6.3V	
C557FR	963 0024 703	Mylar film 0.01uF/100V		C664	960 9010 120	Electrolytic 10uF/50V	
C558	963 9005 927	Electrolytic 0.1uF/50V		C666	960 9010 120	Electrolytic 470uF/6.3V	
C558FL	963 9004 782	Mylar film 0.056uF/100V		C667	960 9010 120	Electrolytic 10uF/50V	
C558FR	963 9004 782	Mylar film 0.056uF/100V		C668	960 9010 120	Electrolytic 470uF/6.3V	
C559FL	963 9008 640	Mylar film 0.022uF/100V		C669	960 9010 120	Electrolytic 10uF/50V	
C559FR	963 9008 640	Mylar film 0.022uF/100V		C670	963 9006 036	Electrolytic 470uF/6.3V	
C560FL	960 9008 611	Mylar film 0.0033uF/100V		C671	960 9010 120	Electrolytic 10uF/50V	
C560FR	960 9008 611	Mylar film 0.0033uF/100V		C671S	960 9010 120	Electrolytic 10uF/50V	

Ref. No.	Part No.	Part Name	Remarks	Q'ty	Ref. No.	Part No.	Part Name	Remarks	Q'ty
C672S	963 9005 862	Electrolytic 47uF/16V			J584	963 9003 372	Carbon chip 0 ohm 1/16W		1
C676	963 9004 753	Ceramic chip 0.047uF/50V			J585	963 9003 372	Carbon chip 0 ohm 1/16W		1
C677	963 9004 753	Ceramic chip 0.047uF/50V			J586	963 9003 372	Carbon chip 0 ohm 1/16W		1
C680	963 9006 104	Electrolytic 1uF/50V			J587	963 9003 372	Carbon chip 0 ohm 1/16W		1
C901SW	963 9005 914	Electrolytic 4.7uF/50V			JACK601D	963 0106 906	6P pin jack		1
C903	963 9004 575	Ceramic chip 100pF/50V			JACK602D	963 0099 204	3P pin jack		1
C905	963 9004 575	Ceramic chip 100pF/50V			JACK603D	963 0071 002	Mini jack		1
C906	963 9004 575	Ceramic chip 100pF/50V			JACK604D	960 0194 508	1P pin jack		1
C910	963 9004 575	Ceramic chip 100pF/50V			JK402	960 0188 307	6P pin jack		1
C911	963 9004 698	Ceramic chip 0.01uF/50V			JK651	960 0181 304	3P S terminal		1
C918	963 9004 698	Ceramic chip 0.01uF/50V			JK652	960 0181 401	4P S terminal		1
C921	963 9004 575	Ceramic chip 100pF/50V			JK653	960 0181 401	4P S terminal		1
C922	963 9004 575	Ceramic chip 100pF/50V			L401	963 0052 102	Inductor 1uH		1
C924	963 9004 575	Ceramic chip 100pF/50V			L402	960 0010 307	Inductor 10uH		1
OTHER PARTS GROUP				Q'ty	L403	963 0056 409	MW IF Coil RBW07VB-K5025 BLK		1
CB401	963 0053 800	Beads inductor		1	RELAY551	963 0083 100	Relay (RSB12S DC12V)		1
CF401	960 0187 104	Ceramic filter SFE10.7MA8	for E3,EU,ASIA	1	SW401	963 0056 700	Slide SW	for E1,E1H,E1T	1
CF401	960 0177 509	Ceramic filter SFE10.7MS3GH	for E2,EK	1	T401	960 0186 600	MW IF Coil PCFMAF-270		1
CF401,CF402	960 0177 509	Ceramic filter SFE10.7MS3GH	for E2,EK,ASIA	1	T402	960 0007 349	FM DET Trans		1
CF402	960 0187 104	Ceramic filter SFE10.7MA8	for E3,EU	1	T403	960 0007 352	FM DET Trans		1
CF403	960 0187 609	Ceramic resonator		1	T404	960 0071 207	MPX filter	for E2,EK	1
CN201	963 0086 709	11P connector socket (TUC-P)		1	T405	960 0071 207	MPX filter	for E2,EK	1
CN202	963 0085 603	5P connector socket (TUC-P)		1	T406	960 0037 607	antibirdie filter	for E2,EK	1
CN203	963 0085 700	6P connector socket (TUC-P)		1	X401	960 0187 405	Crystal 7.2 MHz		1
CN401	963 0086 107	16P connector socket (TUC-P)		1	X402	963 0043 302	Resonator CSB456F11		1
CN402	963 0107 002	11P wire		1	—	960 0184 000	Screw bracket		2
CN506	963 0107 109	3P wire		1	—	963 0054 003	Shield tuner pack		1
CN551	963 0086 204	19P connector socket (TUC-P)		1	—	963 0099 000	Earth "D"plate		1
CN552	963 0086 204	19P connector socket (TUC-P)		1	—	963 0052 403	3P antenna terminal		1
CN553	963 0086 408	20P connector socket (TUC-P)		1	—	—	Heat sink		1
CN554	963 0086 204	19P connector socket (TUC-P)		1	—	963 0018 007	Screw (2S 3x8 ZNY/BH)		1
CN555	960 0252 000	4P connector socket (TUC-P)		1	—	960 0260 005	Wire clamp		2
CN603D	960 0123 207	3P connector base		1					
CN609	963 0048 909	3P connector base		1					
CP302	963 0097 604	6P connector base		1					
CP603	963 0088 105	4P connector base		1					
CP603D	963 0106 207	4P wire		1					
CP604	963 0107 206	15P connector cord		1					
CP605	963 0048 909	3P connector base		1					
CP606	963 0066 101	5P connector base		1					
FE401	960 0187 706	Front end		1					
G401	—	2P contact Ass'y		1					
GP301F	—	1P contact Ass'y		1					

INPUT VOLUME P.W.B. ASS'Y

Ref. No.	Part No.	Part Name	Remarks	Ref. No.	Part No.	Part Name	Remarks
SEMICONDUCTORS GROUP				SEMICONDUCTORS GROUP			
IC601	963 0083 304	IC BA7626		Q602V	269 0082 902	Transistor DTC114EK	
IC602	963 0074 504	IC BU2090F		Q603	960 0005 105	Transistor KTA1266Y	
IC603	963 0083 304	IC BA7626		Q604	963 0102 900	Transistor DTC114TK	
IC604	960 0174 502	IC NJM2068DD		Q605	963 0102 900	Transistor DTC114TK	
IC605	960 0174 502	IC NJM2068DD		Q606	963 0075 406	Transistor DTC114TS	
IC606	960 0133 307	IC KIC9459F		Q607M	960 0196 904	Transistor DTC114YS (NPN)	
IC701	963 0083 207	IC TC9274N-011		Q610V	269 0083 901	Transistor DTA114EK	
IC702	960 0174 201	IC TC9273N-004		Q611V	269 0082 902	Transistor DTC114EK	
IC703	960 0174 502	IC NJM2068DD		Q612V	269 0083 901	Transistor DTA114EK	
IC704	960 0174 502	IC NJM2068DD		Q613V	269 0082 902	Transistor DTC114EK	
IC705	960 0174 502	IC NJM2068DD		D106	963 0096 508	Diode 1N4148	
Q101SB	963 0044 204	Transistor 2SD2390-Y		D251	960 0197 000	Diode KDS160	
Q102SB	963 0044 107	Transistor 2SB1560-Y		D252	960 0197 000	Diode KDS160	
Q103SB	963 0058 106	Transistor 2SD947F		D253	960 0197 000	Diode KDS160	
Q104SB	960 0196 506	Transistor KSC1845F		D254	960 0197 000	Diode KDS160	
Q201ML	963 0044 301	Transistor KTC2875B	for E3,EU	D255	960 0197 000	Diode KDS160	
Q201MR	963 0044 301	Transistor KTC2875B	for E3,EU	D256	960 0197 000	Diode KDS160	
Q202ML	963 0044 301	Transistor KTC2875B	for E3,EU	D601	960 0197 000	Diode KDS160	
Q202MR	963 0044 301	Transistor KTC2875B	for E3,EU	D601B	963 0096 508	Diode 1N4148	
Q501C	960 0196 603	Transistor KTC2874B		D602	960 0197 000	Diode KDS160	
Q501FL	960 0196 603	Transistor KTC2874B		D603	960 0197 000	Diode KDS160	
Q501FR	960 0196 603	Transistor KTC2874B		D604	960 0197 000	Diode KDS160	
Q501SB	960 0196 603	Transistor KTC2874B		D605	960 0197 000	Diode KDS160	
Q501SL	960 0196 603	Transistor KTC2874B		D606	960 0197 000	Diode KDS160	
Q501SR	960 0196 603	Transistor KTC2874B		RESISTORS GROUP			
Q502C	960 0196 205	Transistor KSA992F		R104SB	963 9005 451	Metal oxide 5.6 kohm 1W	
Q502FL	960 0196 205	Transistor KSA992F		R105SB	963 9005 451	Metal oxide 5.6 kohm 1W	
Q502FR	960 0196 205	Transistor KSA992F		R106SB	963 9003 068	Metal film 4.7 ohm 1/4W (NB)	
Q502SB	960 0196 205	Transistor KSA992F		R107SB	963 9003 068	Metal film 4.7 ohm 1/4W (NB)	
Q502SL	960 0196 205	Transistor KSA992F		R108SB	963 9005 477	Metal oxide 0.22 ohm 1W	
Q502SR	960 0196 205	Transistor KSA992F		R109SB	963 9005 477	Metal oxide 0.22 ohm 1W	
Q503C	960 0196 205	Transistor KSA992F		R110SB	963 9005 477	Metal oxide 0.22 ohm 1W	
Q503FL	960 0196 205	Transistor KSA992F		R111SB	963 9005 477	Metal oxide 0.22 ohm 1W	
Q503FR	960 0196 205	Transistor KSA992F		R118SB	963 9005 480	Metal oxide 10 ohm 1W	
Q503SB	960 0196 205	Transistor KSA992F		R119SB	963 9005 480	Metal oxide 10 ohm 1W	
Q503SL	960 0196 205	Transistor KSA992F		R201ML	963 9004 339	Carbon chip 470 ohm 1/16W	for E3,EU
Q503SR	960 0196 205	Transistor KSA992F		R201MR	963 9004 339	Carbon chip 470 ohm 1/16W	for E3,EU
Q504C	960 0196 506	Transistor KSC1845F		R203ML	963 9004 070	Carbon chip 10 kohm 1/16W	for E3,EU
Q504FL	960 0196 506	Transistor KSC1845F		R203MR	963 9004 070	Carbon chip 10 kohm 1/16W	for E3,EU
Q504FR	960 0196 506	Transistor KSC1845F		R204ML	963 9004 203	Carbon chip 220 ohm 1/16W	for E3,EU
Q504SB	960 0196 506	Transistor KSC1845F		R204MR	963 9004 203	Carbon chip 220 ohm 1/16W	for E3,EU
Q504SL	960 0196 506	Transistor KSC1845F		R205ML	963 9004 229	Carbon chip 22 kohm 1/16W	for E3,EU
Q504SR	960 0196 506	Transistor KSC1845F		R205MR	963 9004 229	Carbon chip 22 kohm 1/16W	for E3,EU
Q601	960 0005 105	Transistor KTA1266Y		R206ML	963 9004 368	Carbon chip 470 kohm 1/16W	for E3,EU
Q601V	269 0083 901	Transistor DTA114EK		R206MR	963 9004 368	Carbon chip 470 kohm 1/16W	for E3,EU
Q602	960 0005 105	Transistor KTA1266Y		R207ML	963 9004 083	Carbon chip 100 kohm 1/16W	for E3,EU
				R207MR	963 9004 083	Carbon chip 100 kohm 1/16W	for E3,EU

Ref. No.	Part No.	Part Name	Remarks	Ref. No.	Part No.	Part Name	Remarks
R460	963 9004 245	Carbon chip 2.2 Mohm 1/16W		R703R	963 9004 339	Carbon chip 470 ohm 1/16W	
R461	963 9004 245	Carbon chip 2.2 Mohm 1/16W		R704L	963 9004 339	Carbon chip 470 ohm 1/16W	
R462	963 9004 339	Carbon chip 470 ohm 1/16W		R704R	963 9004 339	Carbon chip 470 ohm 1/16W	
R463	963 9004 339	Carbon chip 470 ohm 1/16W		R705L	963 9004 339	Carbon chip 470 ohm 1/16W	
R464	963 9004 339	Carbon chip 470 ohm 1/16W		R705R	963 9004 339	Carbon chip 470 ohm 1/16W	
R465	963 9004 339	Carbon chip 470 ohm 1/16W		R706L	963 9004 339	Carbon chip 470 ohm 1/16W	
R467	963 9004 245	Carbon chip 2.2 Mohm 1/16W		R706R	963 9004 339	Carbon chip 470 ohm 1/16W	
R468	963 9004 245	Carbon chip 2.2 Mohm 1/16W		R707L	963 9004 339	Carbon chip 470 ohm 1/16W	
				R707R	963 9004 339	Carbon chip 470 ohm 1/16W	
R509C	960 9005 902	Metal film 1.2 kohm 1/4W		R708L	963 9004 339	Carbon chip 470 ohm 1/16W	
R509FL	960 9005 902	Metal film 1.2 kohm 1/4W		R708R	963 9004 339	Carbon chip 470 ohm 1/16W	
R509FR	960 9005 902	Metal film 1.2 kohm 1/4W		R709L	963 9004 452	Carbon chip 68 kohm 1/16W	
R509SB	960 9005 902	Metal film 1.2 kohm 1/4W		R709R	963 9004 452	Carbon chip 68 kohm 1/16W	
R509SL	960 9005 902	Metal film 1.2 kohm 1/4W		R710L	963 9004 245	Carbon chip 2.2 Mohm 1/16W	
R509SR	960 9005 902	Metal film 1.2 kohm 1/4W		R710R	963 9004 245	Carbon chip 2.2 Mohm 1/16W	
R511C	960 9004 301	Metal film 47 ohm 1/4W		R711L	963 9004 245	Carbon chip 2.2 Mohm 1/16W	
R511FL	960 9004 301	Metal film 47 ohm 1/4W		R711R	963 9004 245	Carbon chip 2.2 Mohm 1/16W	
R511FR	960 9004 301	Metal film 47 ohm 1/4W		R712L	963 9004 245	Carbon chip 2.2 Mohm 1/16W	
R511SB	960 9004 301	Metal film 47 ohm 1/4W		R712R	963 9004 245	Carbon chip 2.2 Mohm 1/16W	
R511SL	960 9004 301	Metal film 47 ohm 1/4W		R713L	963 9004 245	Carbon chip 2.2 Mohm 1/16W	
R511SR	960 9004 301	Metal film 47 ohm 1/4W		R713R	963 9004 245	Carbon chip 2.2 Mohm 1/16W	
				R714L	963 9004 245	Carbon chip 2.2 Mohm 1/16W	
R607BL	963 9004 313	Carbon chip 4.3 kohm 1/16W		R714R	963 9004 245	Carbon chip 2.2 Mohm 1/16W	
R607BR	963 9004 313	Carbon chip 4.3 kohm 1/16W		R715L	963 9004 245	Carbon chip 2.2 Mohm 1/16W	
R608B	963 9004 313	Carbon chip 4.3 kohm 1/16W		R715R	963 9004 245	Carbon chip 2.2 Mohm 1/16W	
R610B	963 9004 313	Carbon chip 4.3 kohm 1/16W		R716L	963 9004 245	Carbon chip 2.2 Mohm 1/16W	
R610V	963 9004 070	Carbon chip 10 kohm 1/16W		R716R	963 9004 245	Carbon chip 2.2 Mohm 1/16W	
R611V	963 9004 070	Carbon chip 10 kohm 1/16W		R717L	963 9004 164	Carbon chip 150 kohm 1/16W	
R612V	963 9004 070	Carbon chip 10 kohm 1/16W		R717R	963 9004 164	Carbon chip 150 kohm 1/16W	
R613B	960 9004 301	Metal film 47 ohm 1/4W		R718L	963 9004 326	Carbon chip 47 ohm 1/16W	
R615B	963 9004 083	Carbon chip 100 kohm 1/16W		R718R	963 9004 326	Carbon chip 47 ohm 1/16W	
R616B	963 9004 083	Carbon chip 100 kohm 1/16W		R719L	963 9006 078	Carbon chip 240 ohm 1/16W	
R617B	963 9003 385	Carbon chip 100 ohm 1/16W		R719R	963 9006 078	Carbon chip 240 ohm 1/16W	
R618B	963 9005 671	Carbon chip 1.3 kohm 1/16W		R720L	963 9004 148	Carbon chip 130 kohm 1/16W	
R619B	963 9004 449	Carbon chip 6.8 kohm 1/16W		R720R	963 9004 148	Carbon chip 130 kohm 1/16W	
R626	963 9003 398	Carbon chip 1 kohm 1/16W		R721L	963 9006 081	Carbon chip 11 kohm 1/16W	
R627	963 9003 398	Carbon chip 1 kohm 1/16W		R721R	963 9006 081	Carbon chip 11 kohm 1/16W	
R629	963 9004 070	Carbon chip 10 kohm 1/16W		R722L	963 9003 385	Carbon chip 100 ohm 1/16W	
R630B	963 9004 083	Carbon chip 100 kohm 1/16W		R722R	963 9003 385	Carbon chip 100 ohm 1/16W	
R633	963 9004 070	Carbon chip 10 kohm 1/16W		R725L	963 9003 385	Carbon chip 100 ohm 1/16W	
R634	963 9004 070	Carbon chip 10 kohm 1/16W		R725R	963 9003 385	Carbon chip 100 ohm 1/16W	
R636	963 9004 070	Carbon chip 10 kohm 1/16W		R726L	963 9004 083	Carbon chip 100 kohm 1/16W	
R638	963 9004 070	Carbon chip 10 kohm 1/16W		R726R	963 9004 083	Carbon chip 100 kohm 1/16W	
R639	963 9004 070	Carbon chip 10 kohm 1/16W		R728L	963 9004 300	Carbon chip 39 kohm 1/16W	
				R728R	963 9004 300	Carbon chip 39 kohm 1/16W	
R700L	963 9003 372	Carbon chip 0 ohm 1/16W		R731L	963 9004 300	Carbon chip 39 kohm 1/16W	
R700R	963 9003 372	Carbon chip 0 ohm 1/16W		R731R	963 9004 300	Carbon chip 39 kohm 1/16W	
R701L	963 9004 290	Carbon chip 390 ohm 1/16W		R732L	963 9004 300	Carbon chip 39 kohm 1/16W	
R701R	963 9004 290	Carbon chip 390 ohm 1/16W		R732R	963 9004 300	Carbon chip 39 kohm 1/16W	
R702L	963 9004 339	Carbon chip 470 ohm 1/16W		R733L	963 9006 065	Carbon chip 200 kohm 1/16W	
R702R	963 9004 339	Carbon chip 470 ohm 1/16W		R733R	963 9006 065	Carbon chip 200 kohm 1/16W	
R703L	963 9004 339	Carbon chip 470 ohm 1/16W		R736	963 9003 385	Carbon chip 100 ohm 1/16W	

Ref. No.	Part No.	Part Name	Remarks	Ref. No.	Part No.	Part Name	Remarks
R737L	963 9004 193	Carbon chip 22 ohm 1/16W		C504SB	963 9003 178	Ceramic 220pF/50V	
R737R	963 9004 193	Carbon chip 22 ohm 1/16W		C504SL	963 9003 178	Ceramic 220pF/50V	
R751L	963 9006 065	Carbon chip 200 kohm 1/16W		C504SR	963 9003 178	Ceramic 220pF/50V	
R751R	963 9006 065	Carbon chip 200 kohm 1/16W		C505C	963 9003 181	Ceramic 33pF/500V	
VR106	963 0105 208	Semi fixed resistor 1 kohm		C505FL	963 9003 181	Ceramic 33pF/500V	
CAPACITORS GROUP							
C101SB	963 9005 312	Electrolytic 100uF/10V		C505FR	963 9003 181	Ceramic 33pF/500V	
C102SB	963 9005 778	Electrolytic 10uF/50V		C505SB	963 9003 181	Ceramic 33pF/500V	
C103SB	963 9003 084	Ceramic 100pF/500V		C505SL	963 9003 181	Ceramic 33pF/500V	
C104SB	963 9003 084	Ceramic 100pF/500V		C505SR	963 9003 181	Ceramic 33pF/500V	
C105SB	960 9003 108	Ceramic 0.022uF/25V		C506C	963 9005 312	Electrolytic 100uF/10V	
C107SB	963 9003 097	Mylar film 0.1uF/250V		C506FL	963 9005 312	Electrolytic 100uF/10V	
C201ML	963 9004 575	Ceramic chip 100pF/50V	for E3,EU	C506FR	963 9005 312	Electrolytic 100uF/10V	
C201MR	963 9004 575	Ceramic chip 100pF/50V	for E3,EU	C506SB	963 9005 312	Electrolytic 100uF/10V	
C202ML	963 9005 914	Electrolytic 4.7uF/50V	for E3,EU	C506SL	963 9005 312	Electrolytic 100uF/10V	
C202MR	963 9005 914	Electrolytic 4.7uF/50V	for E3,EU	C506SR	963 9005 312	Electrolytic 100uF/10V	
C203ML	963 9005 914	Electrolytic 4.7uF/50V	for E3,EU	C507C	963 9003 194	Mylar film 0.0022uF/100V	
C203MR	963 9005 914	Electrolytic 4.7uF/50V	for E3,EU	C507FL	963 9003 194	Mylar film 0.0022uF/100V	
C251	963 9004 698	Ceramic chip 0.01uF/50V		C507FR	963 9003 194	Mylar film 0.0022uF/100V	
C252	963 9004 698	Ceramic chip 0.01uF/50V		C507SB	963 9003 194	Mylar film 0.0022uF/100V	
C253	963 9004 698	Ceramic chip 0.01uF/50V		C507SL	963 9003 194	Mylar film 0.0022uF/100V	
C457	963 9004 575	Ceramic chip 100pF/50V		C507SR	963 9003 194	Mylar film 0.0022uF/100V	
C458	963 9004 575	Ceramic chip 100pF/50V		C601	963 9005 914	Electrolytic 4.7uF/50V	
C459	963 9004 575	Ceramic chip 100pF/50V		C602	963 9005 914	Electrolytic 4.7uF/50V	
C460	963 9004 575	Ceramic chip 100pF/50V		C603	963 9005 914	Electrolytic 4.7uF/50V	
C501C	963 9005 820	Electrolytic 22uF/16V		C603B	963 9004 698	Ceramic chip 0.01uF/50V	
C501FL	963 9005 820	Electrolytic 22uF/16V		C604	963 9005 914	Electrolytic 4.7uF/50V	
C501FR	963 9005 820	Electrolytic 22uF/16V		C604B	963 9004 698	Ceramic chip 0.01uF/50V	
C501M	963 9005 765	Electrolytic 10uF/35V		C605	963 9006 036	Electrolytic 470uF/6.3V	
C501SB	963 9005 820	Electrolytic 22uF/16V		C605B	963 9004 627	Ceramic chip 33pF/50V	
C501SL	963 9005 820	Electrolytic 22uF/16V		C606	963 9005 765	Electrolytic 10uF/35V	
C501SR	963 9005 820	Electrolytic 22uF/16V		C606B	963 9004 575	Ceramic chip 100pF/50V	
C502C	963 9005 765	Electrolytic 10uF/35V		C606CK	963 9004 575	Ceramic chip 100pF/50V	
C502FL	963 9005 765	Electrolytic 10uF/35V		C607	963 9005 765	Electrolytic 10uF/35V	
C502FR	963 9005 765	Electrolytic 10uF/35V		C607B	963 9005 765	Electrolytic 10uF/35V	
C502SB	963 9005 765	Electrolytic 10uF/35V		C607T	963 9004 575	Ceramic chip 100pF/50V	
C502SL	963 9005 765	Electrolytic 10uF/35V		C608	963 9006 036	Electrolytic 470uF/6.3V	
C502SR	963 9005 765	Electrolytic 10uF/35V		C608ST	963 9004 575	Ceramic chip 100pF/50V	
C503C	963 9003 165	Ceramic 220pF/500V		C609	963 9006 036	Electrolytic 470uF/6.3V	
C503FL	963 9003 165	Ceramic 220pF/500V		C610	963 9005 765	Electrolytic 10uF/35V	
C503FR	963 9003 165	Ceramic 220pF/500V		C610BL	963 9005 765	Electrolytic 10uF/35V	
C503SB	963 9003 165	Ceramic 220pF/500V		C611B	963 9005 875	Electrolytic 47uF/25V	
C503SL	963 9003 165	Ceramic 220pF/500V		C612	963 9005 794	Electrolytic 100uF/16V	
C503SR	963 9003 165	Ceramic 220pF/500V		C612B	963 9005 875	Electrolytic 47uF/25V	
C504C	963 9003 178	Ceramic 220pF/50V		C613B	963 9004 698	Ceramic chip 0.01uF/50V	
C504FL	963 9003 178	Ceramic 220pF/50V		C614	963 9004 753	Ceramic chip 0.047uF/50V	
C504FR	963 9003 178	Ceramic 220pF/50V		C614B	963 9004 698	Ceramic chip 0.01uF/50V	
				C615B	963 9005 914	Electrolytic 4.7uF/50V	
				C617BL	963 9004 630	Ceramic chip 39pF/50V	
				C618BL	963 9004 698	Ceramic chip 0.01uF/50V	
				C618BR	963 9004 698	Ceramic chip 0.01uF/50V	
				C681	963 9004 520	Ceramic 100pF/50V	

Ref. No.	Part No.	Part Name	Remarks	Q'ty
C682	963 9004 520	Ceramic 100pF/50V		
C709L	963 9005 765	Electrolytic 10uF/35V		
C709R	963 9005 765	Electrolytic 10uF/35V		
C710L	963 9004 575	Ceramic chip 100pF/50V		
C710R	963 9004 575	Ceramic chip 100pF/50V		
C711L	963 9006 049	Electrolytic 220uF/6.3V		
C711R	963 9006 049	Electrolytic 220uF/6.3V		
C712L	963 9004 779	Mylar film 0.024uF/50V		
C712R	963 9004 779	Mylar film 0.024uF/50V		
C713L	960 9008 695	Mylar film 0.0068uF/100V		
C713R	960 9008 695	Mylar film 0.0068uF/100V		
C714L	960 9010 010	Electrolytic 4.7uF/50V		
C714R	960 9010 010	Electrolytic 4.7uF/50V		
C715L	963 9004 737	Ceramic chip 0.022uF/25V		
C715R	963 9004 737	Ceramic chip 0.022uF/25V		
C716L	963 9005 765	Electrolytic 10uF/35V		
C716R	963 9005 765	Electrolytic 10uF/35V		
C717L	963 9004 601	Ceramic chip 220pF/50V		
C717R	963 9004 601	Ceramic chip 220pF/50V		
C718L	963 9005 309	Electrolytic 47uF/10V		
C718R	963 9005 309	Electrolytic 47uF/10V		
C719L	963 9005 749	Electrolytic 1uF/50V		
C719R	963 9005 749	Electrolytic 1uF/50V		
C720L	963 9003 152	Mylar film 0.068uF/100V		
C720R	963 9003 152	Mylar film 0.068uF/100V		
C721L	963 9003 152	Mylar film 0.068uF/100V		
C721R	963 9003 152	Mylar film 0.068uF/100V		
C723L	963 9005 765	Electrolytic 10uF/35V		
C723R	963 9005 765	Electrolytic 10uF/35V		
C724L	963 9004 698	Ceramic chip 0.01uF/50V		
C724R	963 9004 698	Ceramic chip 0.01uF/50V		
C725	963 9004 698	Ceramic chip 0.01uF/50V		
C726	963 9004 698	Ceramic chip 0.01uF/50V		
C727	963 9005 765	Electrolytic 10uF/35V		
C728	963 9005 765	Electrolytic 10uF/35V		
OTHER PARTS GROUP				Q'ty
CN105	963 0059 105	2P connector cord	for E2,EK,E1K	1
CN501	963 0085 506	9P connector socket (TUC-P)		1
CN501P	963 0087 504	19P connector base (TUC-P)		1
CN501V	963 0086 204	19P connector socket (TUC-P)		1
CN502	963 0085 603	5P connector socket (TUC-P)		1
CN502P	963 0087 504	19P connector base (TUC-P)		1
CN503	963 0085 603	5P connector socket (TUC-P)		1
CN503V	963 0105 509	4P wire		1
CN504	963 0085 603	5P connector socket (TUC-P)		1
CN505	963 0085 700	6P connector socket (TUC-P)		1
CN507	963 0066 114	5P connector base	for E3,EU	1
CN507M	963 0105 606	5P wire		1
CN601	963 0086 204	19P connector socket (TUC-P)		1
CN602	963 0105 703	15P wire		1
CN602B	963 0105 800	3P connector cord		1

Ref. No.	Part No.	Part Name	Remarks	Q'ty
CN609	963 0105 907	3P wire		1
CN701	963 0085 302	17P connector socket (TUC-P)		1
CN702	963 0086 709	11P connector socket (TUC-P)		1
CN703	963 0086 505	7P connector socket (TUC-P)		1
CN704	963 0086 505	7P connector socket (TUC-P)		1
CP501	963 0050 104	4P connector base		1
CP502V	963 0060 709	8P connector base		1
CP611	963 0106 003	5P wire		1
CP902	963 0048 909	3P connector base		1
J784	963 9003 372	Carbon chip 0 ohm 1/16W		1
JACK201M	963 0106 100	2P pin jack	for E3,EU	1
JK601	960 0188 200	4P pin jack		1
JK602	960 0188 404	3P pin jack		1
JK603	960 0188 404	3P pin jack		1
JK604	963 0057 000	1P pin jack		1
JK701	960 0188 307	6P pin jack		1
JK702	960 0188 200	4P pin jack		1
JK703	960 0188 200	4P pin jack		1
JK704	960 0188 103	2P pin jack		1
L101SB	963 0049 005	Inductor 0.5uH		1
L701L	235 9003 002	FTZ choke coil	for E2,EK	1
L701R	235 9003 002	FTZ choke coil	for E2,EK	1
RL601B	963 0083 100	Relay (RSB12S DC12V)		1
TP106	960 0161 418	3P connector base		1
△	960 0143 203	AC outlet	for E2,EK	1
△	960 0144 202	AC outlet	for E1K	1
—	960 0236 602	Shield plate	for E3,EU	1
—	963 0101 707	Input cushion		1
—	963 0094 102	Plate INPUT		1
—	960 0184 000	Screw bracket		2

DSP P.W.B. ASS'Y

Ref. No.	Part No.	Part Name	Remarks	Ref. No.	Part No.	Part Name	Remarks
SEMICONDUCTORS GROUP							
IC801	269 0186 002	IC GP1FA502RZ		R861R	963 9004 339	Carbon chip 470 ohm 1/16W	
IC802	269 0186 002	IC GP1FA502RZ		R862L	963 9004 834	Carbon chip 5.6 kohm 1/16W	
IC803	269 0186 002	IC GP1FA502RZ		R862R	963 9004 834	Carbon chip 5.6 kohm 1/16W	
IC804	963 0096 304	IC DSP MELODY 32 LQFP		R863L	963 9004 339	Carbon chip 470 ohm 1/16W	
IC805	963 0105 004	IC M29W800BB		R863R	963 9004 339	Carbon chip 470 ohm 1/16W	
IC806	963 0095 606	IC IS61LV6416-12T		R864C	963 9004 083	Carbon chip 100 kohm 1/16W	
IC807	963 0096 100	IC LC89057W		R864FL	963 9004 083	Carbon chip 100 kohm 1/16W	
IC808	963 0096 207	IC AD1837		R864FR	963 9004 083	Carbon chip 100 kohm 1/16W	
IC809	963 0074 203	IC MM74LCX244WMX		R864L	963 9005 710	Carbon chip 750 kohm 1/16W	
IC810	963 0074 203	IC MM74LCX244WMX		R864R	963 9005 710	Carbon chip 750 kohm 1/16W	
IC811	963 0074 203	IC MM74LCX244WMX		R864SB	963 9004 083	Carbon chip 100 kohm 1/16W	
IC812	963 0074 300	IC MM74HCT244WMX		R864SL	963 9004 083	Carbon chip 100 kohm 1/16W	
IC813	963 0095 907	IC 74LCX02MTC		R864SR	963 9004 083	Carbon chip 100 kohm 1/16W	
IC814	963 0105 101	IC MM74HC00MTCX		R864SW	963 9004 083	Carbon chip 100 kohm 1/16W	
IC815A	963 0043 807	IC BA4510F		R866C	963 9004 342	Carbon chip 4.7 kohm 1/16W	
IC816A	963 0043 807	IC BA4510F		R866FL	963 9004 342	Carbon chip 4.7 kohm 1/16W	
IC817	269 0189 009	IC GP1FA502TZ		R866FR	963 9004 342	Carbon chip 4.7 kohm 1/16W	
IC817A	963 0024 004	IC NJM2068M		R866SB	963 9004 342	Carbon chip 4.7 kohm 1/16W	
IC818A	963 0024 004	IC NJM2068M		R866SL	963 9004 342	Carbon chip 4.7 kohm 1/16W	
IC819A	963 0024 004	IC NJM2068M		R866SR	963 9004 342	Carbon chip 4.7 kohm 1/16W	
IC820A	963 0024 004	IC NJM2068M		R866SW	963 9004 342	Carbon chip 4.7 kohm 1/16W	
IC821	963 0096 003	IC 74LCX74MTC		R867C	963 9004 342	Carbon chip 4.7 kohm 1/16W	
IC822	960 0159 501	IC KIA7805API		R867FL	963 9004 342	Carbon chip 4.7 kohm 1/16W	
IC823	963 0074 805	IC RC1117S33ST		R867FR	963 9004 342	Carbon chip 4.7 kohm 1/16W	
IC824	963 0074 708	IC RC1117S25T		R867SB	963 9004 342	Carbon chip 4.7 kohm 1/16W	
Q804C	960 0196 603	Transistor KTC2874B		R867SL	963 9004 342	Carbon chip 4.7 kohm 1/16W	
Q804FL	960 0196 603	Transistor KTC2874B		R867SR	963 9004 342	Carbon chip 4.7 kohm 1/16W	
Q804FR	960 0196 603	Transistor KTC2874B		R867SW	963 9004 342	Carbon chip 4.7 kohm 1/16W	
Q804SB	960 0196 603	Transistor KTC2874B		R868C	963 9004 342	Carbon chip 4.7 kohm 1/16W	
Q804SL	960 0196 603	Transistor KTC2874B		R868FL	963 9004 342	Carbon chip 4.7 kohm 1/16W	
Q804SR	960 0196 603	Transistor KTC2874B		R868FR	963 9004 342	Carbon chip 4.7 kohm 1/16W	
Q804SW	960 0196 603	Transistor KTC2874B		R868SB	963 9004 342	Carbon chip 4.7 kohm 1/16W	
Q805	269 0083 901	Transistor DTA114EK		R868SL	963 9004 342	Carbon chip 4.7 kohm 1/16W	
Q806	269 0082 902	Transistor DTC114EK		R868SR	963 9004 342	Carbon chip 4.7 kohm 1/16W	
Q807	269 0083 901	Transistor DTA114EK		R868SW	963 9004 342	Carbon chip 4.7 kohm 1/16W	
D801	960 0197 000	Diode KDS160		R869C	963 9004 834	Carbon chip 5.6 kohm 1/16W	
D806	960 0197 000	Diode KDS160		R869FL	963 9004 834	Carbon chip 5.6 kohm 1/16W	
D807	960 0197 000	Diode KDS160		R869FR	963 9004 834	Carbon chip 5.6 kohm 1/16W	
RESISTORS GROUP							
R803	963 9004 342	Carbon chip 4.7 kohm 1/16W		R869SB	963 9004 834	Carbon chip 5.6 kohm 1/16W	
R841	963 9004 339	Carbon chip 470 ohm 1/16W		R869SL	963 9004 834	Carbon chip 5.6 kohm 1/16W	
R848	963 9003 385	Carbon chip 100 ohm 1/16W		R869SR	963 9004 834	Carbon chip 5.6 kohm 1/16W	
R850	963 9004 465	Carbon chip 75 ohm 1/16W		R869SW	963 9004 834	Carbon chip 5.6 kohm 1/16W	
R859L	963 9004 834	Carbon chip 5.6 kohm 1/16W		R870C	963 9003 398	Carbon chip 1 kohm 1/16W	
R859R	963 9004 834	Carbon chip 5.6 kohm 1/16W		R870FL	963 9003 398	Carbon chip 1 kohm 1/16W	
R860L	963 9004 834	Carbon chip 5.6 kohm 1/16W		R870FR	963 9003 398	Carbon chip 1 kohm 1/16W	
R860R	963 9004 834	Carbon chip 5.6 kohm 1/16W		R870SB	963 9003 398	Carbon chip 1 kohm 1/16W	
R861L	963 9004 339	Carbon chip 470 ohm 1/16W		R870SL	963 9003 398	Carbon chip 1 kohm 1/16W	
				R870SR	963 9003 398	Carbon chip 1 kohm 1/16W	
				R870SW	963 9003 398	Carbon chip 1 kohm 1/16W	
				R871C	963 9004 083	Carbon chip 100 kohm 1/16W	
				R871FL	963 9004 083	Carbon chip 100 kohm 1/16W	
				R871FR	963 9004 083	Carbon chip 100 kohm 1/16W	

Ref. No.	Part No.	Part Name	Remarks	Ref. No.	Part No.	Part Name	Remarks
C803	963 9004 591	Ceramic chip 22pF/50V		C868	963 9005 998	Ceramic chip 24pF/50V	
C804	963 9004 591	Ceramic chip 22pF/50V		C869	963 9005 998	Ceramic chip 24pF/50V	
C805	963 9004 591	Ceramic chip 22pF/50V		C869L	963 9004 575	Ceramic chip 100pF/50V	
C807	963 9004 708	Ceramic chip 0.1uF/50V		C869R	963 9004 575	Ceramic chip 100pF/50V	
C810	963 9004 708	Ceramic chip 0.1uF/50V		C870	963 9004 698	Ceramic chip 0.01uF/50V	
C811	963 9005 309	Electrolytic 47uF/10V		C871	963 9004 708	Ceramic chip 0.1uF/50V	
C812	963 9004 708	Ceramic chip 0.1uF/50V		C871L	963 9009 500	Mylar film 0.001uF/100V	
C813	963 9005 309	Electrolytic 47uF/10V		C871R	963 9009 500	Mylar film 0.001uF/100V	
C814	963 9004 591	Ceramic chip 22pF/50V		C872	963 9004 708	Ceramic chip 0.1uF/50V	
C817	963 9005 927	Electrolytic 0.1uF/50V		C873	963 9004 698	Ceramic chip 0.01uF/50V	
C818	963 9004 698	Ceramic chip 0.01uF/50V		C873C	963 9004 672	Ceramic chip 680pF/50V	
C820	963 9005 309	Electrolytic 47uF/10V		C873FL	963 9004 672	Ceramic chip 680pF/50V	
C821	963 9005 312	Electrolytic 100uF/10V		C873FR	963 9004 672	Ceramic chip 680pF/50V	
C822	963 9004 708	Ceramic chip 0.1uF/50V		C873SB	963 9004 672	Ceramic chip 680pF/50V	
C823	963 9005 752	Electrolytic 10uF/35V		C873SL	963 9004 672	Ceramic chip 680pF/50V	
C825	963 9005 749	Electrolytic 1uF/50V		C873SR	963 9004 672	Ceramic chip 680pF/50V	
C826	963 9005 752	Electrolytic 10uF/35V		C873SW	963 9004 672	Ceramic chip 680pF/50V	
C827	963 9005 309	Electrolytic 47uF/10V		C874	963 9004 698	Ceramic chip 0.01uF/50V	
C835	963 9005 901	Electrolytic 470uF/10V		C874C	963 9006 146	Ceramic chip 560pF/50V	
C838	963 9004 708	Ceramic chip 0.1uF/50V		C874FL	963 9006 146	Ceramic chip 560pF/50V	
C839	963 9004 708	Ceramic chip 0.1uF/50V		C874FR	963 9006 146	Ceramic chip 560pF/50V	
C840	963 9004 698	Ceramic chip 0.01uF/50V		C874SB	963 9006 146	Ceramic chip 560pF/50V	
C841	963 9005 846	Electrolytic 2.2uF/50V		C874SL	963 9006 146	Ceramic chip 560pF/50V	
C842	963 9004 708	Ceramic chip 0.1uF/50V		C874SR	963 9006 146	Ceramic chip 560pF/50V	
C843	963 9004 708	Ceramic chip 0.1uF/50V		C874SW	963 9006 146	Ceramic chip 560pF/50V	
C844	963 9004 708	Ceramic chip 0.1uF/50V		C875	963 9004 698	Ceramic chip 0.01uF/50V	
C845	963 9004 708	Ceramic chip 0.1uF/50V		C875C	963 9005 752	Electrolytic 10uF/35V	
C846	963 9004 708	Ceramic chip 0.1uF/50V		C875FL	963 9005 752	Electrolytic 10uF/35V	
C847	963 9004 708	Ceramic chip 0.1uF/50V		C875FR	963 9005 752	Electrolytic 10uF/35V	
C848	963 9004 708	Ceramic chip 0.1uF/50V		C875SB	963 9005 752	Electrolytic 10uF/35V	
C849	963 9004 708	Ceramic chip 0.1uF/50V		C875SL	963 9005 752	Electrolytic 10uF/35V	
C850	963 9004 708	Ceramic chip 0.1uF/50V		C875SR	963 9005 752	Electrolytic 10uF/35V	
C851	963 9004 708	Ceramic chip 0.1uF/50V		C875SW	963 9005 752	Electrolytic 10uF/35V	
C852	963 9004 708	Ceramic chip 0.1uF/50V		C876	963 9004 708	Ceramic chip 0.1uF/50V	
C853	963 9004 708	Ceramic chip 0.1uF/50V		C876C	960 9008 611	Mylar film 0.0033uF/100V	
C854	963 9005 804	Electrolytic 100uF/25V		C876FL	960 9008 611	Mylar film 0.0033uF/100V	
C855	963 9005 804	Electrolytic 100uF/25V		C876FR	960 9008 611	Mylar film 0.0033uF/100V	
C856	963 9004 708	Ceramic chip 0.1uF/50V		C876SB	960 9008 611	Mylar film 0.0033uF/100V	
C857	963 9004 708	Ceramic chip 0.1uF/50V		C876SL	960 9008 611	Mylar film 0.0033uF/100V	
C858	963 9004 708	Ceramic chip 0.1uF/50V		C876SR	960 9008 611	Mylar film 0.0033uF/100V	
C859	963 9004 708	Ceramic chip 0.1uF/50V		C876SW	960 9008 611	Mylar film 0.0033uF/100V	
C860	963 9004 708	Ceramic chip 0.1uF/50V		C877	963 9004 708	Ceramic chip 0.1uF/50V	
C861	963 9004 708	Ceramic chip 0.1uF/50V		C880C	963 9005 752	Electrolytic 10uF/35V	
C862	963 9004 708	Ceramic chip 0.1uF/50V		C880FL	963 9005 752	Electrolytic 10uF/35V	
C863	963 9004 708	Ceramic chip 0.1uF/50V		C880FR	963 9005 752	Electrolytic 10uF/35V	
C864	963 9004 708	Ceramic chip 0.1uF/50V		C880SB	963 9005 752	Electrolytic 10uF/35V	
C864L	963 9005 862	Electrolytic 47uF/16V		C880SL	963 9005 752	Electrolytic 10uF/35V	
C864R	963 9005 862	Electrolytic 47uF/16V		C880SR	963 9005 752	Electrolytic 10uF/35V	
C865	960 9009 856	Ceramic chip 0.022uF/50V		C880SW	963 9005 752	Electrolytic 10uF/35V	
C865L	963 9005 723	Ceramic chip 120pF/50V		C916	963 9004 708	Ceramic chip 0.1uF/50V	
C865R	963 9005 723	Ceramic chip 120pF/50V		C917	963 9005 752	Electrolytic 10uF/35V	
C866	963 9004 708	Ceramic chip 0.1uF/50V					


Ref. No.	Part No.	Part Name	Remarks	Ref. No.	Part No.	Part Name	Remarks	Q'ty
C925	963 9004 708	Ceramic chip 0.1uF/50V		OTHER PARTS GROUP				
C926	963 9005 752	Electrolytic 10uF/35V		CB803	963 0050 502	Chip emifil		1
C931	963 9004 698	Ceramic chip 0.01uF/50V		CB805	963 0050 502	Chip emifil		1
C937	963 9005 752	Electrolytic 10uF/35V		CB806	963 0050 502	Chip emifil		1
C938	963 9005 749	Electrolytic 1uF/50V		CB807	963 0050 502	Chip emifil		1
C939	963 9004 698	Ceramic chip 0.01uF/50V		CB808	963 0050 502	Chip emifil		1
C943	963 9005 927	Electrolytic 0.1uF/50V		CB809	963 0050 502	Chip emifil		1
C946	963 9004 708	Ceramic chip 0.1uF/50V		CB810	963 0050 502	Chip emifil		1
C947	963 9004 708	Ceramic chip 0.1uF/50V		CN611	963 0066 114	5P connector base		1
C948	963 9005 752	Electrolytic 10uF/35V		CN801	963 0086 107	16P connector socket (TUC-P)		1
C949	963 9005 752	Electrolytic 10uF/35V		CN802	963 0086 204	19P connector socket (TUC-P)		1
C950	963 9004 708	Ceramic chip 0.1uF/50V		CN803	963 0097 206	8P connector socket (TUC-P)		1
C951	963 9005 901	Electrolytic 470uF/10V		CP611	963 0105 402	2P wire		1
C952	963 9004 708	Ceramic chip 0.1uF/50V		J001	963 9003 372	Carbon chip 0 ohm 1/16W		1
C953	963 9005 752	Electrolytic 10uF/35V		J002	963 9003 372	Carbon chip 0 ohm 1/16W		1
C955	963 9004 708	Ceramic chip 0.1uF/50V		J003	963 9003 372	Carbon chip 0 ohm 1/16W		1
C957	963 9004 708	Ceramic chip 0.1uF/50V		JA21	963 9003 372	Carbon chip 0 ohm 1/16W		1
C958	963 9005 312	Electrolytic 100uF/10V		JA23	963 9003 372	Carbon chip 0 ohm 1/16W		1
C959	963 9005 752	Electrolytic 10uF/35V		JA24	963 9003 372	Carbon chip 0 ohm 1/16W		1
C960	963 9004 708	Ceramic chip 0.1uF/50V		JA27	963 9003 372	Carbon chip 0 ohm 1/16W		1
C961	963 9005 752	Electrolytic 10uF/35V		JACK801	963 0052 500	1P pin jack		1
C962	963 9004 708	Ceramic chip 0.1uF/50V		L802	963 0050 803	Inductor 4.7uH		1
C965	963 9004 708	Ceramic chip 0.1uF/50V		L804	963 0050 803	Inductor 4.7uH		1
C966	963 9005 901	Electrolytic 470uF/10V		L805	963 0050 803	Inductor 4.7uH		1
C967	963 9004 708	Ceramic chip 0.1uF/50V		L806	963 0050 803	Inductor 4.7uH		1
				L807	963 0050 900	Inductor 2.2uH		1
				XTAL1	963 0095 101	Crystl 12.288MHz		1
				—	963 0105 305	CPU cushion		1
				—	963 0053 800	Beads inductor		1
				—	963 9004 546	Ceramic 0.01uF/16V		1

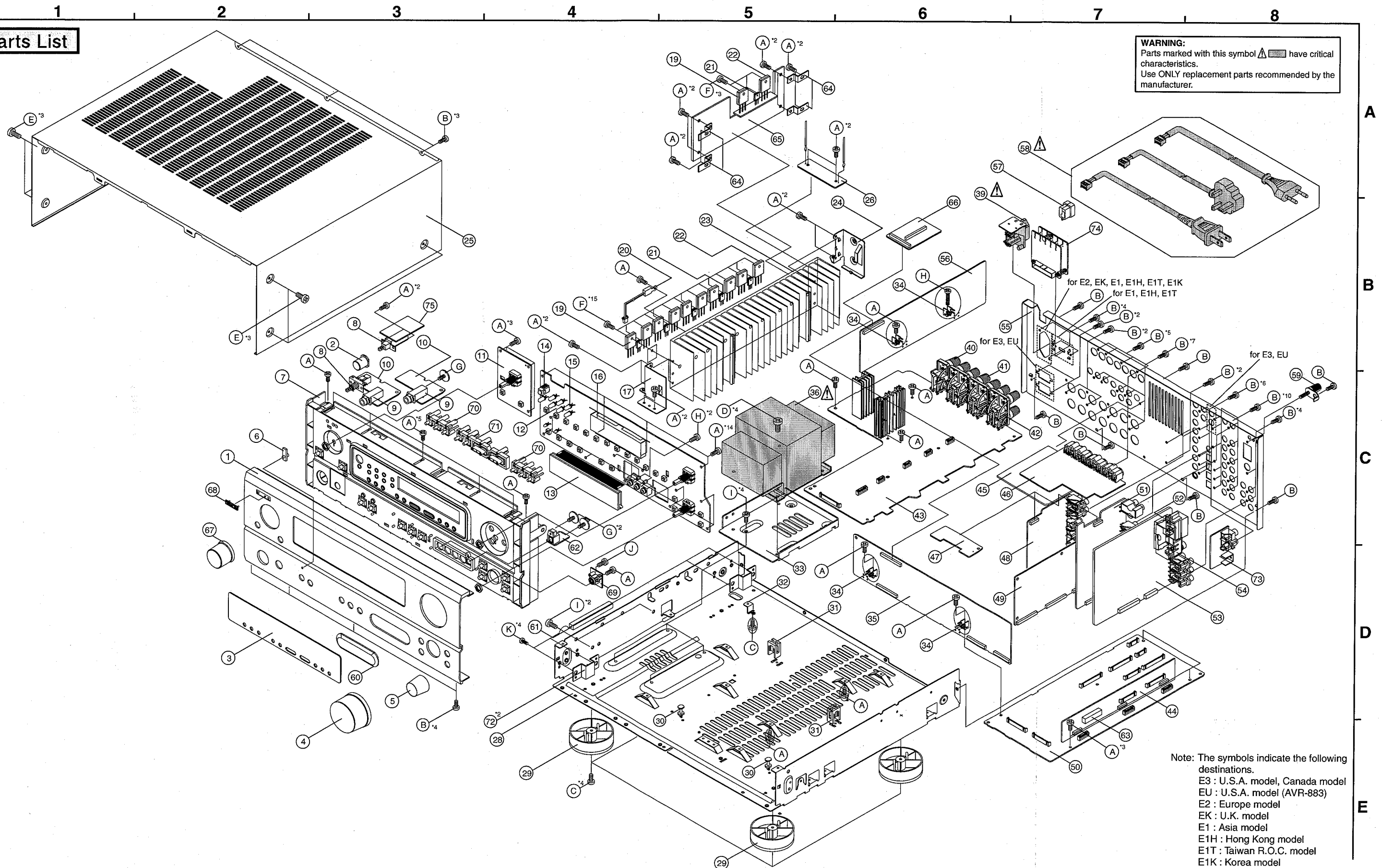
VOLTAGE-SEL. P.W.B. ASS'Y

Ref. No.	Part No.	Part Name	Remarks	Q'ty
OTHER PARTS GROUP				
CN105	963 0059 202	2P connector cord	for E1,E1H,E1T	1
CN903	963 0058 805	2P connector cord	for E1,E1H,E1T	1
CP901	963 0061 203	5P connector base	for E1,E1H,E1T	1
CP902	963 0059 309	3P connector cord	for E1,E1H,E1T	1
△ F101	963 0104 704	Fuse 2.5A	for E1,E1H,E1T	1
△ F101A	960 0005 804	Fuse clip	for E1,E1H,E1T	1
△ F101B	960 0005 804	Fuse clip	for E1,E1H,E1T	1
△ F102	963 0104 801	Fuse 3.15A	for E1,E1H,E1T	1
△ F102A	960 0005 804	Fuse clip	for E1,E1H,E1T	1
△ F102B	960 0005 804	Fuse clip	for E1,E1H,E1T	1
△ F901	963 0104 908	Fuse 6.3A	for E1,E1H,E1T	1
△ F901A	960 0005 804	Fuse clip	for E1,E1H,E1T	1
△ F901B	960 0005 804	Fuse clip	for E1,E1H,E1T	1
△ JK911	960 0143 203	AC outlet	for E1,E1H,E1T	1
△ JK912	963 0056 904	Slide SW	for E1,E1H,E1T	1
—	963 0044 602	Supporter	for E1,E1H,E1T	2
—	963 0051 103	Spacer	for E1,E1H,E1T	2

EXPLODED VIEW

Parts List

WARNING:
Parts marked with this symbol  have critical characteristics.
Use ONLY replacement parts recommended by the manufacturer.



Note: The symbols indicate the following destinations.
E3 : U.S.A. model, Canada model
EU : U.S.A. model (AVR-883)
E2 : Europe model
EK : U.K. model
E1 : Asia model
E1H : Hong Kong model
E1T : Taiwan R.O.C. model
E1K : Korea model

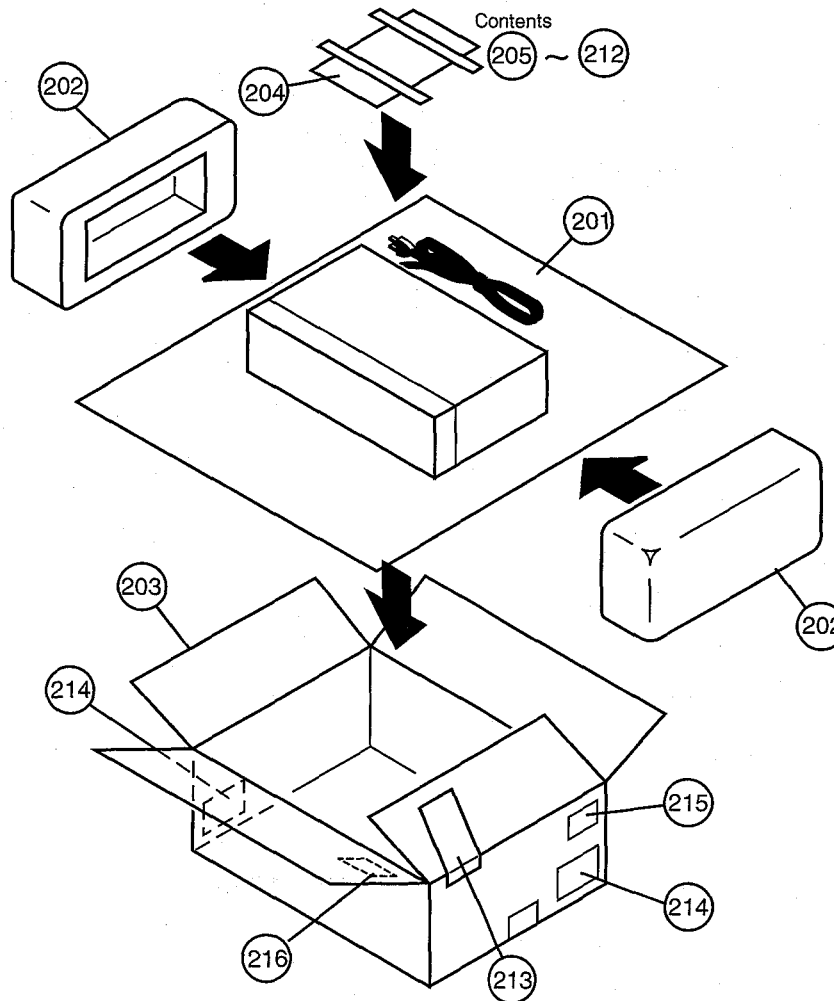
Note: The symbols in the column "Remarks" indicate the following destinations.
 E3: U.S.A. model, Canada model E1: Asia model
 EU: U.S.A. model (AVR-883) E1C: China model
 E2: Europe model E1H: Hong Kong model
 EK: U.K. model E1T: Taiwan R.O.C. model
 E1K: Korea model

PARTS LIST OF EXPLODED VIEW

Ref. No.	Part No.	Part Name	Remarks	Q'ty	Ref. No.	Part No.	Part Name	Remarks	Q'ty	
	963 0103 307	MAIN P.W.B ASS'Y	for E3,EU	1	2	963 0101 011	Power button	for Black model	1	
	963 0103 310		for E2,EK	1		963 0101 008	Power button	for Gold model	1	
	963 0103 323		for E1,E1H,E1T	1	3	963 0093 116	Window	for E3,EU,ASIA	1	
	963 0103 336		for E1C	1		963 0093 129	Window	for E2,EK	1	
	963 0103 349		for E1K	1	4	112 0839 008	Volume knob	for Black model	1	
10		HEAD PHONE P.W.B ASS'Y		1		112 0839 011	Volume knob	for Gold model	1	
11		SWITCH P.W.B ASS'Y		1	5	963 0084 811	Select knob	for Black model	1	
43		MAIN P.W.B ASS'Y		1		963 0084 808	Select knob	for Gold model	1	
47		CDR-CNT P.W.B ASS'Y		1	6	963 0051 310	Lens	for E3,EU	2	
75		POWER SWITCH P.W.B ASS'Y	for E2,EK,ASIA	1		963 0051 310	Lens	for E2,EK,ASIA	1	
	963 0103 404	CPU P.W.B ASS'Y	for E3,EU	1	7	963 0101 516	Inner panel(BK)	for E3,EU	1	
	963 0103 417		for E2,EK	1		963 0101 529	Inner panel(BK)	for E2(Black model),EK	1	
	963 0103 420		for ASIA	1		963 0101 532	Inner panel(GO)	for Gold model	1	
12		FRONT P.W.B ASS'Y		1	8	960 0176 209	Push switch	SW901 for E3,EU	1	
50		CPU P.W.B ASS'Y		1		963 0098 807	Push switch	SW901A for E2,EK,ASIA	1	
62		FRONT-OPTICAL P.W.B ASS'Y		1	9	963 0095 402	Head phone jack (D6.5)	JK901	1	
69		FRONT-S-VIDEO P.W.B ASS'Y		1	13	960 0180 509	FLT (16-ST-42GNK)		1	
	963 0103 501	CNT P.W.B ASS'Y	for E3,EU	1	14	960 0181 100	IC NJL64H380A	RMC301	1	
	963 0103 514		for E2,EK	1	15	960 0197 204	LED P15-RD/HL50RDRF4T	LED301-309	9	
	963 0103 527		for E1,E1H,E1T	1	16	960 0184 408	FLT holder		1	
	963 0103 530		for E1C,E1K	1	17	960 0184 301	Heat sink bracket F		1	
26		VIDEO-CNT P.W.B ASS'Y		1	19	963 0044 107	Transistor 2SB1560Y	Q102C,FL,FR,SL,SR,SB	6	
35		CNT P.W.B ASS'Y		1	20	960 0187 900	Posistor P43T7D330BW16		1	
44		FRONT-CNT P.W.B ASS'Y		1	21	963 0058 106	Transistor 2SD947F	Q103C,FL,FR,SL,SR,SB	6	
45		COMPONENT-VIDEO P.W.B ASS'Y		1	22	963 0044 204	Transistor 2SD2390Y	Q101C,FL,FR,SL,SR,SB	6	
46		S-VIDEO P.W.B ASS'Y		1	23	—	Heat sink		1	
53		TUNER P.W.B ASS'Y		1	24	960 0184 204	Heat sink bracket B		1	
	963 0103 608	INPUT-PREAMP P.W.B ASS'Y	for E3,EU	1	25	960 0183 205	Top cover	for Black model	1	
	963 0103 611		for E2,EK	1		963 0055 510	Top cover	for Gold model	1	
	963 0103 624		for E1,E1C,E1H,E1T	1	28	963 0098 108	Main Chassis		1	
	963 0103 637		for E1K	1	29	960 0183 904	Foot assy		4	
Δ	39	OUTLET P.W.B ASS'Y	for E2,EK,E1K	1	30	963 0051 103	Card spacer		2	
48		C-VIDEO P.W.B ASS'Y		1	31	960 0003 301	PCB supporter		2	
51		INPUT P.W.B ASS'Y		1	32	960 0184 107	Supporter bracket		1	
56		PRE-AMP P.W.B ASS'Y		1	33	963 0092 609	Trans bracket		1	
65		1CH-AMP P.W.B ASS'Y		1	34	960 0184 000	Screw bracket		4	
66		PRE-AMP-CNT P.W.B ASS'Y		1	Δ	36	963 0104 005	Power trans	for E3,EU	1
73		MULTI OUT P.W.B ASS'Y	for E3,EU	1		963 0104 018	Power trans	for E2,EK	1	
	963 0103 705	DSP P.W.B ASS'Y		1		963 0104 021	Power trans	for E1,E1H,E1T	1	
49		DSP P.W.B ASS'Y		1		963 0104 034	Power trans	for E1C,E1K	1	
	963 0103 802	VOL-SEL P.W.B ASS'Y	for E1,E1H,E1T	1	40	960 0194 809	2P speaker terminal	JK103	1	
74		VOLTAGE SEL P.W.B ASS'Y	for E1,E1H,E1T	1	41	963 0074 009	8P speaker terminal	JK102	1	
1	963 0101 215	Front panel	for E3	1	42	960 0188 608	4P speaker terminal	JK101	1	
	963 0101 228	Front panel	for EU	1	52	096 3009 900	Earth plate		1	
	963 0101 231	Front panel	for E2(Black model),EK	1	54	963 0054 003	Shield tuner pack		1	
	963 0101 244	Front panel	for E2(Gold model)	1	55	963 0104 102	Back panel	for E3	1	
	963 0101 257	Front panel	for ASIA	1		963 0104 115	Back panel	for EU	1	
						963 0104 128	Back panel	for E2,EK	1	
						963 0104 131	Back panel	for E1,E1H,E1T	1	
						963 0104 144	Back panel	for E1C	1	
						963 0092 751	Back panel	for E1K	1	
					57	960 0192 403	AC cord stopper		1	

Ref. No.	Part No.	Part Name	Remarks	Q'ty	
△	58	960 0190 104	AC cord	for E3,EU	1
		963 0104 209	AC cord	for E2	1
		960 0143 009	AC cord	for EK,E1H	1
		963 0060 408	AC cord	for E1,E1T	1
		963 0060 301	AC cord	for E1C	1
		963 0098 700	AC cord	for E1K	1
	59	960 0183 807	Terminal		1
	60	963 0104 306	RCA cover	for E3,EU, E2(Black model),EK	1
		963 0104 319	RCA cover	for E2(Gold model),E1K	1
	61	963 0101 804	Trans cushion		1
	63	963 0101 901	CNT cushion		1
	64	963 0101 600	PCB bracket		4
	67	112 0837 000	Function knob	for Black model	1
		112 0837 013	Function knob	for Gold model	1
	68	131 0158 007	DENON badge	for Black model	1
		131 0158 010	DENON badge	for Gold model	1
	70	963 0094 801	Button (3key)		2
	71	963 0098 205	Button (6key)		1
	72	963 0081 607	Side bracket	for E2,EK,ASIA	2
★		960 0093 104	Push rivet	for E2,EK,ASIA	14
★		963 0104 607	Spacer supporter		1
★		963 0044 602	Supporter	for E2,EK,ASIA	1
★		960 0155 301	Clamp		8
★		963 0061 407	Fuse caution label	for E3,EU	1
★		963 0102 609	FFC cable		1
★		513 2482 009	Caution label (T)	for E1T	1
★		963 0025 809	Preset label	for E1,E1H,E1T	1
★		963 0104 403	Rating label (T)	for E1T	1
★		963 0104 500	License label	for E1,E1H,E1T	1
★		513 2481 000	Serial No. sheet (T)	for E1T	1
★		—	Serial label	for E1K	1
SCREWS					
A	963 0018 007	Screw (2S 3×8 ZNY/BH)	for E3,EU,E2,EK,E1, E1C,E1T,E1K	51	
	963 0018 007	Screw (2S 3×8 ZNY/BH)	for E1H	50	
B	960 0108 701	Screw (2S 3×10 DOT BK)	for E3,EU	56	
	960 0108 701	Screw (2S 3×10 DOT BK)	for E2,EK,E1C,E1K	46	
	960 0108 701	Screw (2S 3×10 DOT BK)	for E1,E1H,E1T	48	
C	963 0048 200	Screw (2S 3×10 ZNY/BH)		5	
D	960 9008 417	Screw (3S 4×8 ZNY/BH)		4	
E	963 0048 307	Screw (2S 4×8 DOT BK)	for Black model	6	
	963 9004 012	Screw (2S 4×8 DOT NI)	for Gold model	6	
F	963 9004 009	Screw (2S 3×14 WASHER ZNY/HH)		18	
G	960 9008 420	Screw (2S 3×8 WASHER)		3	
H	963 0018 104	Screw (2S 3×17 ZNY/BH)		3	
I	963 9004 025	Screw (3S 4×6 ZNY/BH)		6	
J	963 9006 010	Screw (2S 3×17 BK/BH)	for Black model	1	
	963 0018 104	Screw (2S 3×17 ZNY/BH)	for Gold model	1	
K	963 9004 041	Screw (2S 3×5 ZNY/BH)	for E2,EK,ASIA	4	

PACKING VIEW

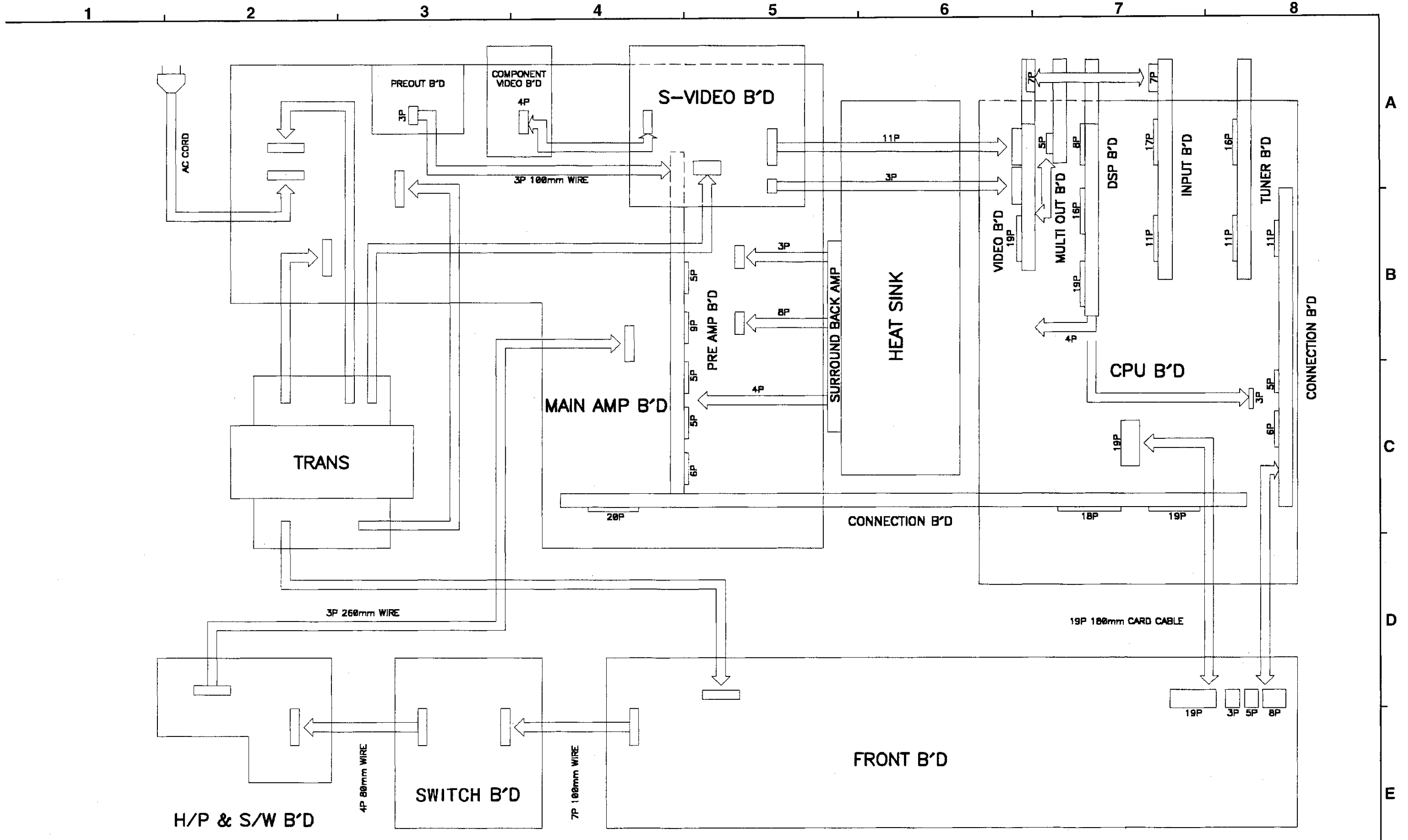


Note: The symbols in the column "Remarks" indicate the following destinations.
 E3: U.S.A. model, Canada model E1: Asia model
 EU: U.S.A. model (AVR-883) E1C: China model
 E2: Europe model E1H: Hong Kong model
 EK: U.K. model E1T: Taiwan R.O.C. model
 E1K: Korea model

PARTS LIST OF PACKING & ACCESSORIES

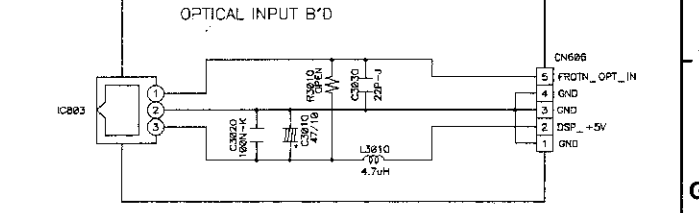
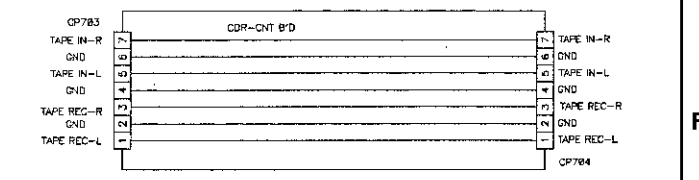
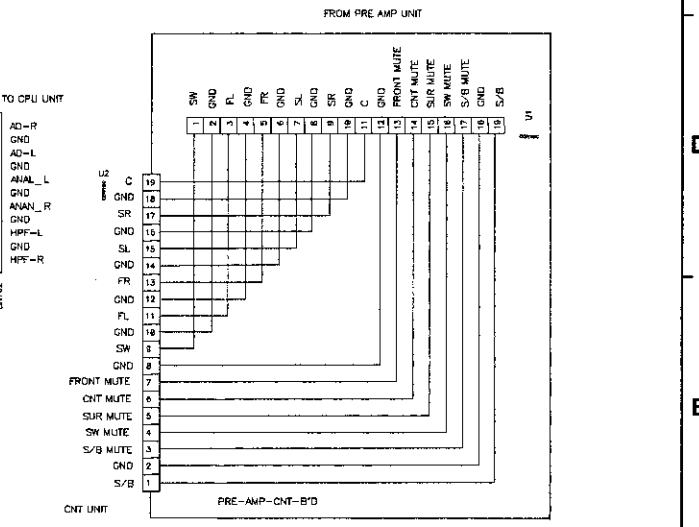
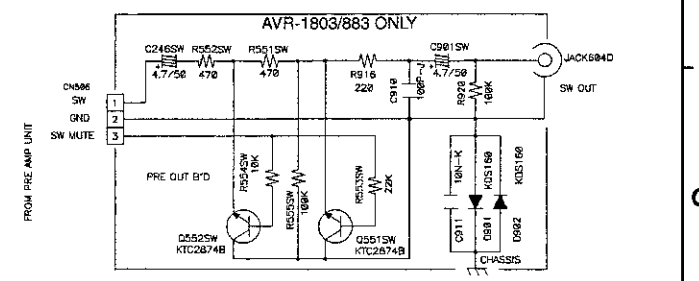
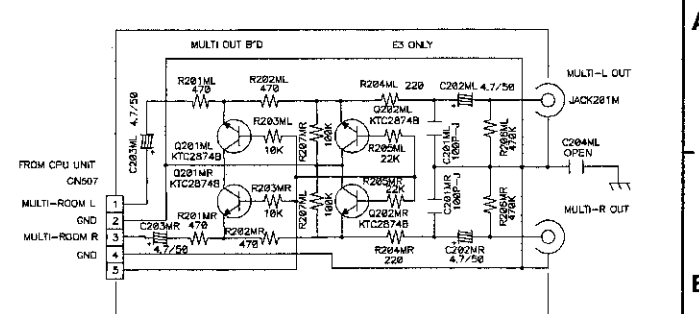
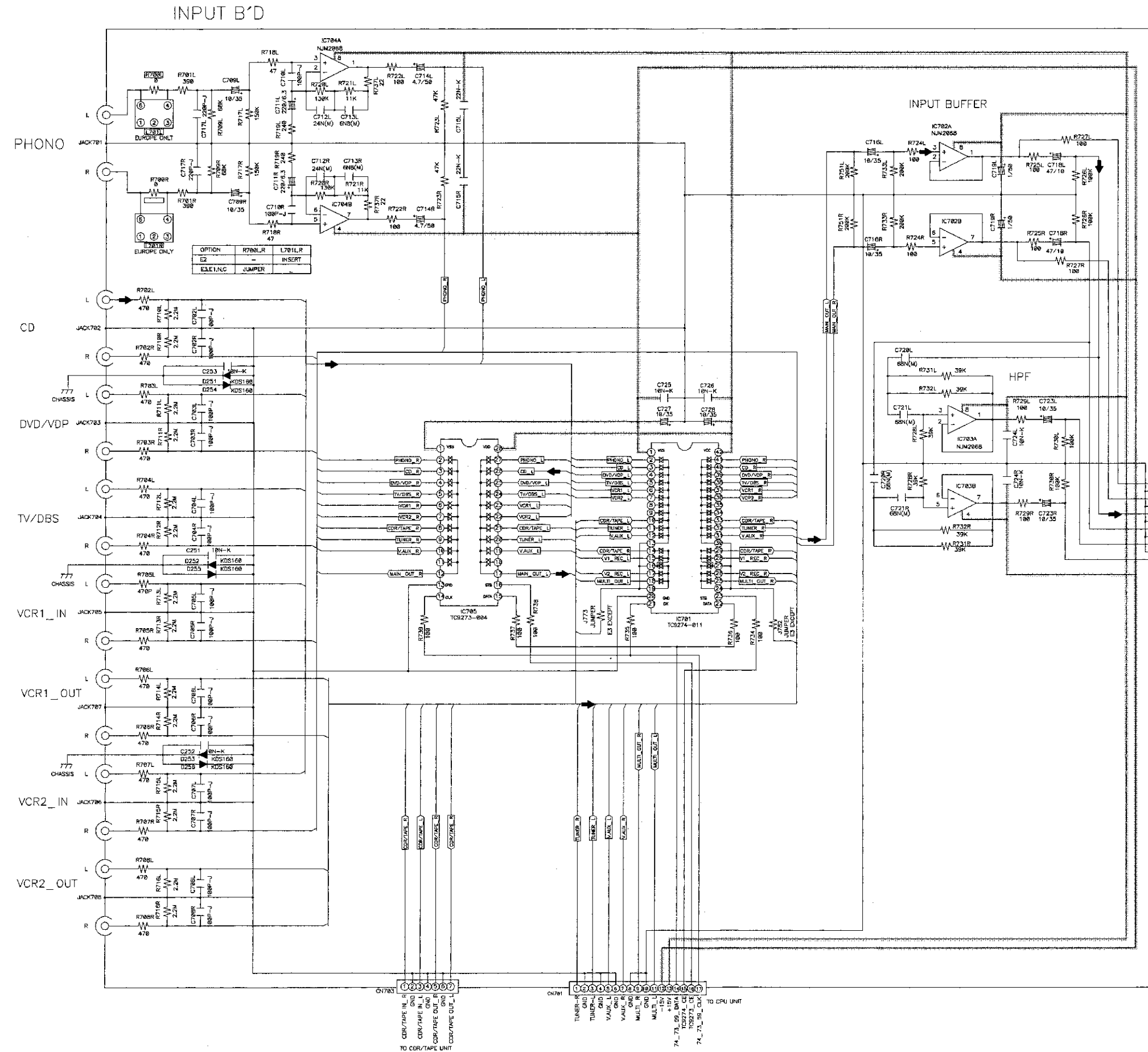
Ref. No.	Part No.	Part Name	Remarks	Q'ty	Ref. No.	Part No.	Part Name	Remarks	Q'ty
201	960 0185 601	Set poly bag		1	209	963 0103 006	Remocon RC-916	for E3,EU	1
202	960 0185 504	Cushion		1		963 0100 203	Remocon RC-917	for E2,EK,ASIA	1
203	963 0103 200	Carton case	for E3	1	210	—	Battery (R6P/AA)		2
	963 0103 213	Carton case	for EU	1	211	963 0061 300	AC plug adapter	for E1T	1
	963 0103 226	Carton case	for E2	1	212	963 0052 704	FM antenna adapter		1
	963 0103 239	Carton case	for EK,E1H	1	213	515 0817 009	DEL Warranty home	for E3,EU	1
	963 0103 242	Carton case	for E1,E1C,E1T,E1K	1	214	—	Control label		2
204	963 0045 106	Poly bag		1	215	—	UPC label	for E3	1
205	963 0103 103	Instruction manual	for E3,EU	1	—	—	UPC label	for EU	1
	963 0103 116	Instruction manual	for E2,EK	1	—	—	UPC label	for E2(Black model)	1
	963 0103 129	Instruction manual	for E1,E1H,E1T	1	—	—	UPC label	for E2(Gold model)	1
	963 0103 132	Instruction manual	for E1C	1	—	—	UPC label	for EK	2
	963 0103 145	Instruction manual	for E1K	1	216	—	Carton label	for E1C	1
206	—	Service station card	for E3,EU,E2,EK,E1, E1C,E1H,E1T	1	—	—	Carton label	for E1T	1
	—	Service station card	for E1K	1	★	—	Label (RDS,RADIO TEXT)	for E2,EK	2
207	963 0052 306	AM loop antenna		1	★	—	Color label	for Gold model	2
208	963 0052 209	FM antenna		1	★	—	Warranty card	for E1K	1
					★	963 0055 905	Pad	for EK,E1H	2

WIRING DIAGRAM



SCHEMATIC DIAGRAMS (1/10)

1 2 3 4 5 6 7 8 9 10 11



SCHEMATIC DIAGRAMS (1/10)

INPUT UNIT

MULTIOUT UNIT

COMPONENT-VIDEO UNIT

PRE-AMP-CNT UNIT

CDR-CNT UNIT

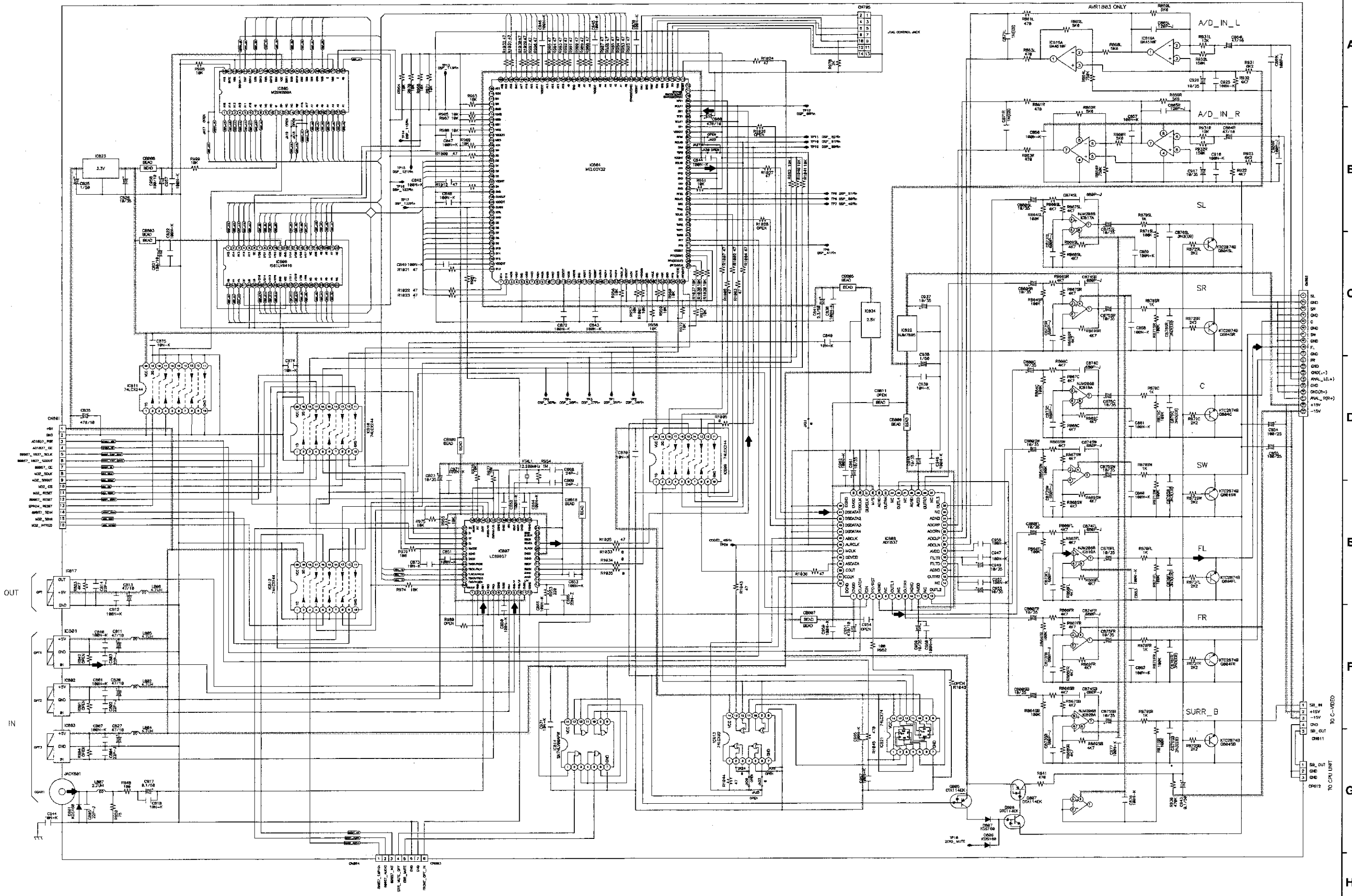
FRONT-OPTICAL UNIT

± B LINE

SIGNAL LINE

SCHEMATIC DIAGRAMS (2/10)

1 2 3 4 5 6 7 8 9 10 11

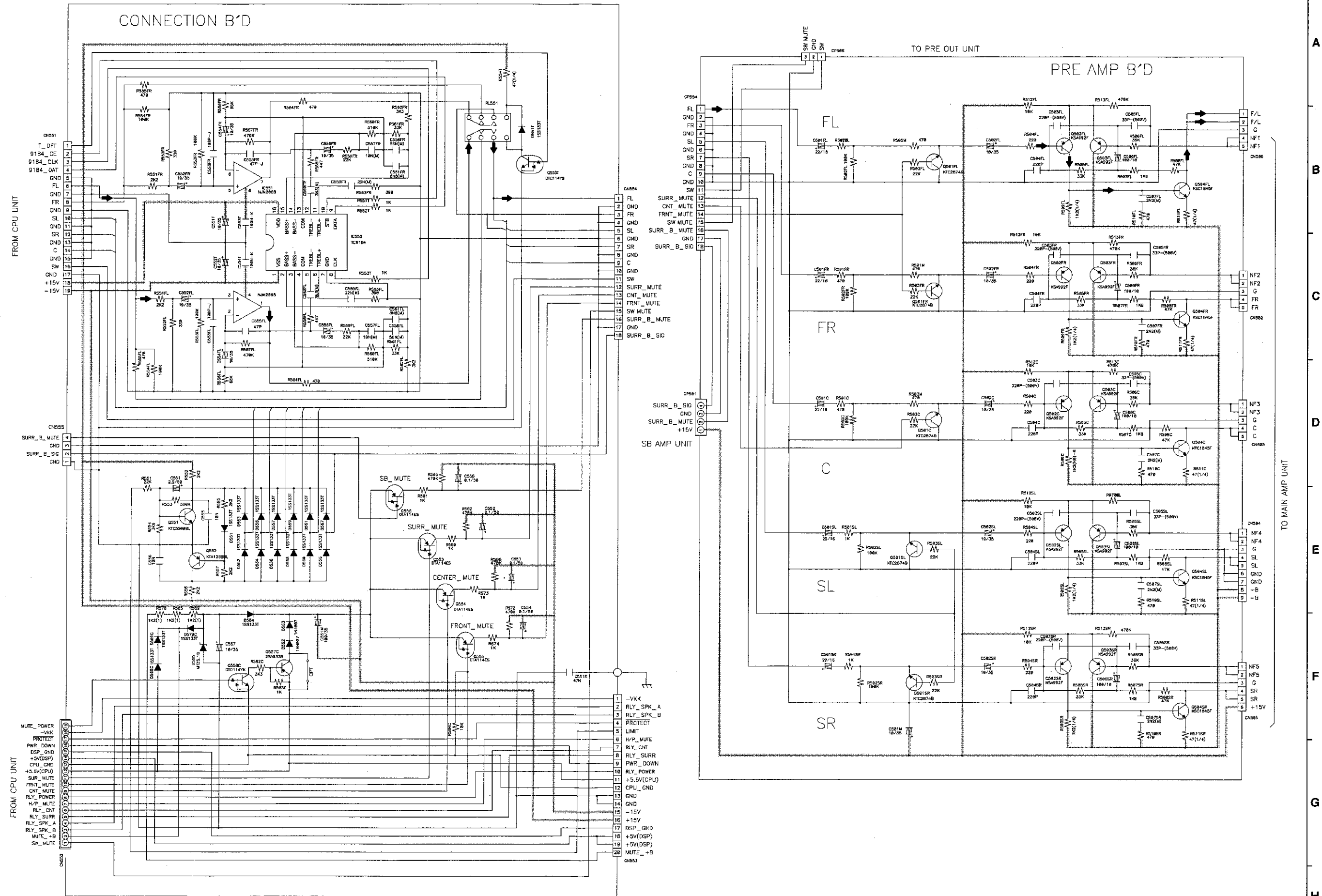


± B LINE SIGNAL LINE
 SCHEMATIC DIAGRAMS (2/10)
 DSP UNIT

A
 B
 C
 D
 E
 F
 G
 H

SCHEMATIC DIAGRAMS (3/10)

1 2 3 4 5 6 7 8 9 10 11



FROM CPU UNIT

SURR_B_MUTE

SURR_B_SIG

MUTE_POWER

FROM CPU UNIT

SURR_B_MUTE

CNT_MUTE

FRNT_MUTE

SW_MUTE

SURR_B_MUTE

CNT_MUTE

FRNT_MUTE

RYL_POWER

RYL_MUTE

RYL_SURR

RYL_SPK_A

RYL_SPK_B

PROTECT

LIMIT

HYP_MUTE

RYL_CMT

RYL_SURR

PWR_DOWN

RYL_POWER

+5.5V(CPU)

CPU_GND

GND

-15V

+15V

DSP_GND

+5V(DSP)

+5V(DSP)

MUTE_+B

08551

TO PRE OUT UNIT

PRE AMP B'D

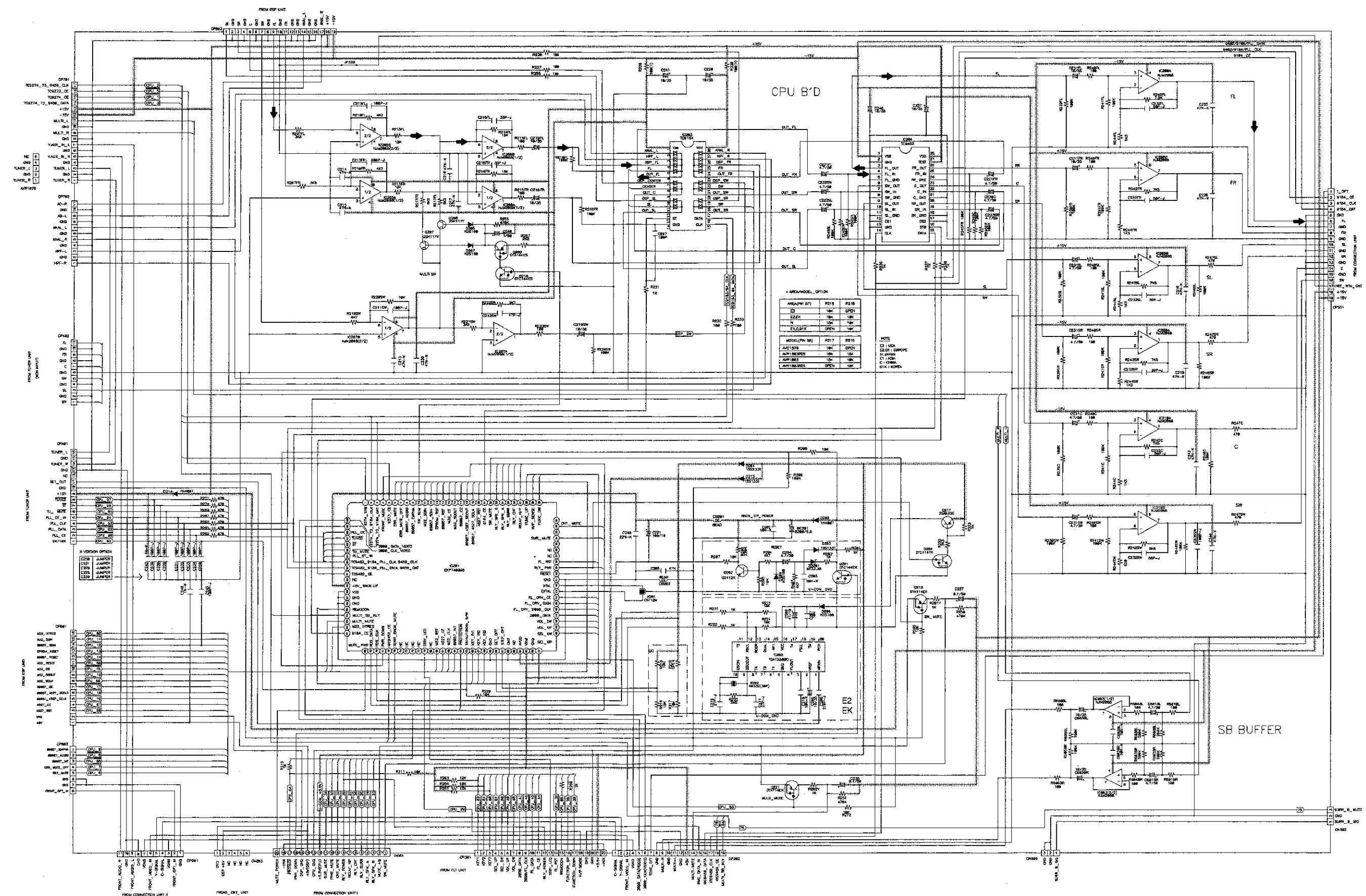
TO MAIN AMP UNIT

± B LINE SIGNAL LINE

SCHEMATIC DIAGRAMS (3/10)
CNT UNIT
PRE AMP UNIT

SCHEMATIC DIAGRAMS (5/10)

1 2 3 4 5 6 7 8 9 10 11



• APPROXIMATE OPTION

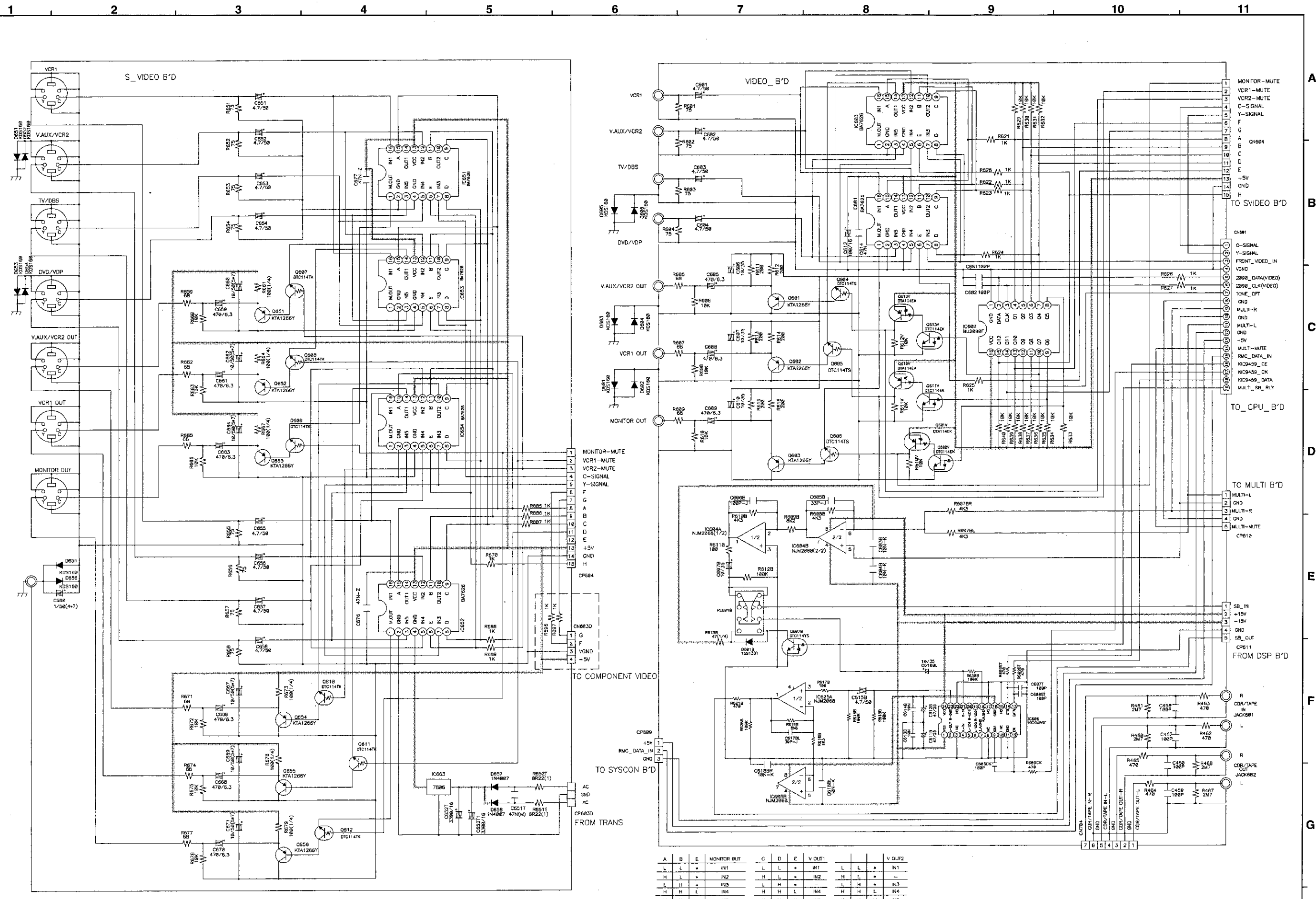
ANALOG (A7)	R210	R216
EX2	10K	OPEN
N	10K	10K
FL/CLK	OPEN	10K

MODEL (PN M)	R211	R215
AUCI 078	10K	OPEN
ADP/RES	10K	10K
ADP/RES	10K	10K
ADP/RES	10K	10K

NOTE
 10K = 10KΩ
 10M = 10MΩ
 100K = 100KΩ
 100Ω = 100Ω
 100 = 100Ω

SCHEMATIC DIAGRAMS (5/10)
CPU UNIT

SCHMATIC DIAGRAMS (6/10)

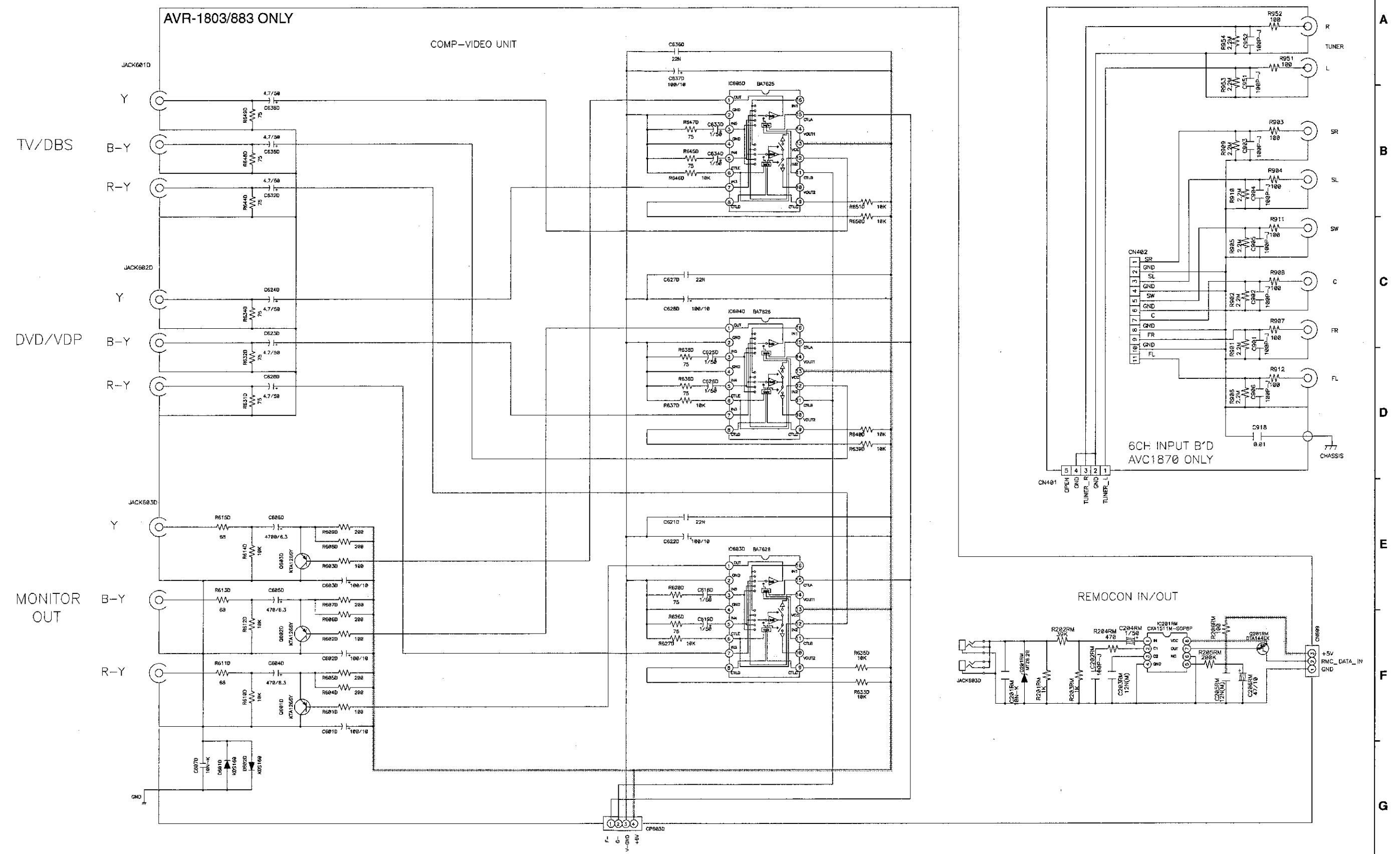


A	B	E	MONITOR OUT	C	D	E	V OUT1	L	L	*	IN1
L	L	*	IN1	L	L	*	IN1	L	L	*	IN1
H	L	*	IN2	H	L	*	IN2	L	L	*	IN2
L	H	*	IN3	L	H	*	IN3	L	H	*	IN3
H	H	L	IN4	H	H	L	IN4	H	H	L	IN4
H	H	H	IN5	H	H	H	IN5	H	H	H	IN5

SCHMATIC DIAGRAMS (6/10)
S-VIDEO UNIT
C-VIDEO UNIT

SCHEMATIC DIAGRAMS (7/10)

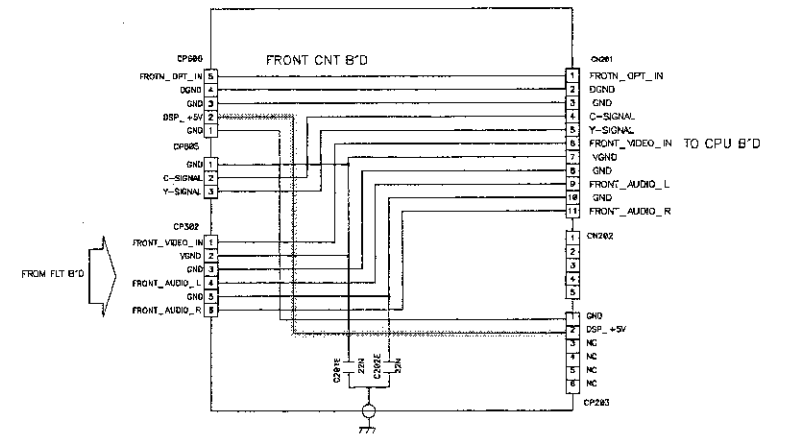
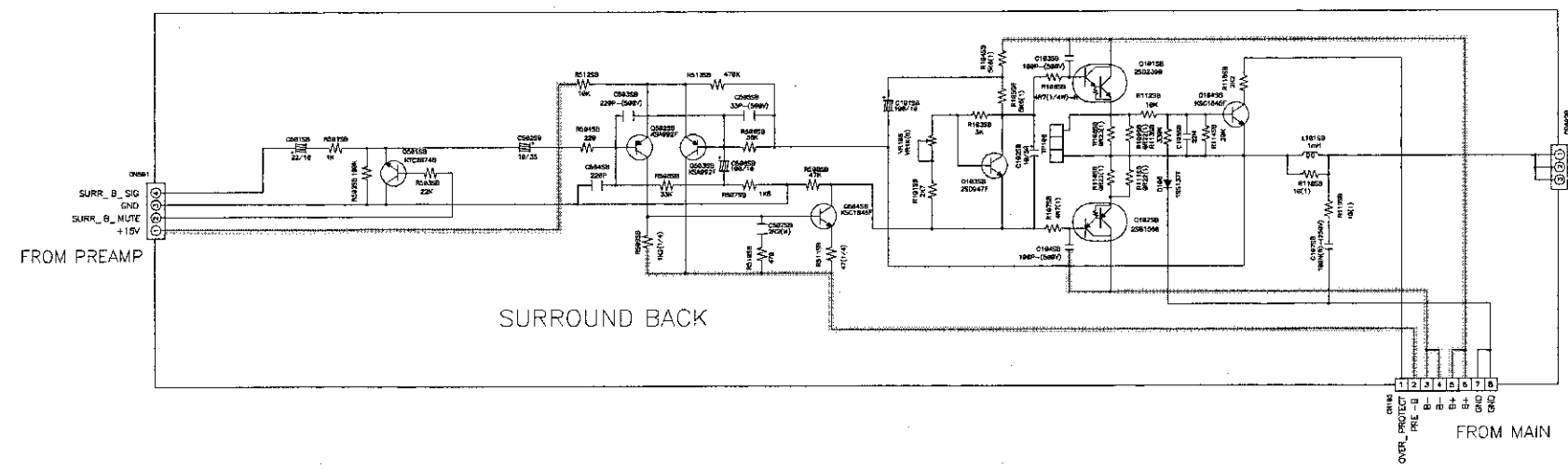
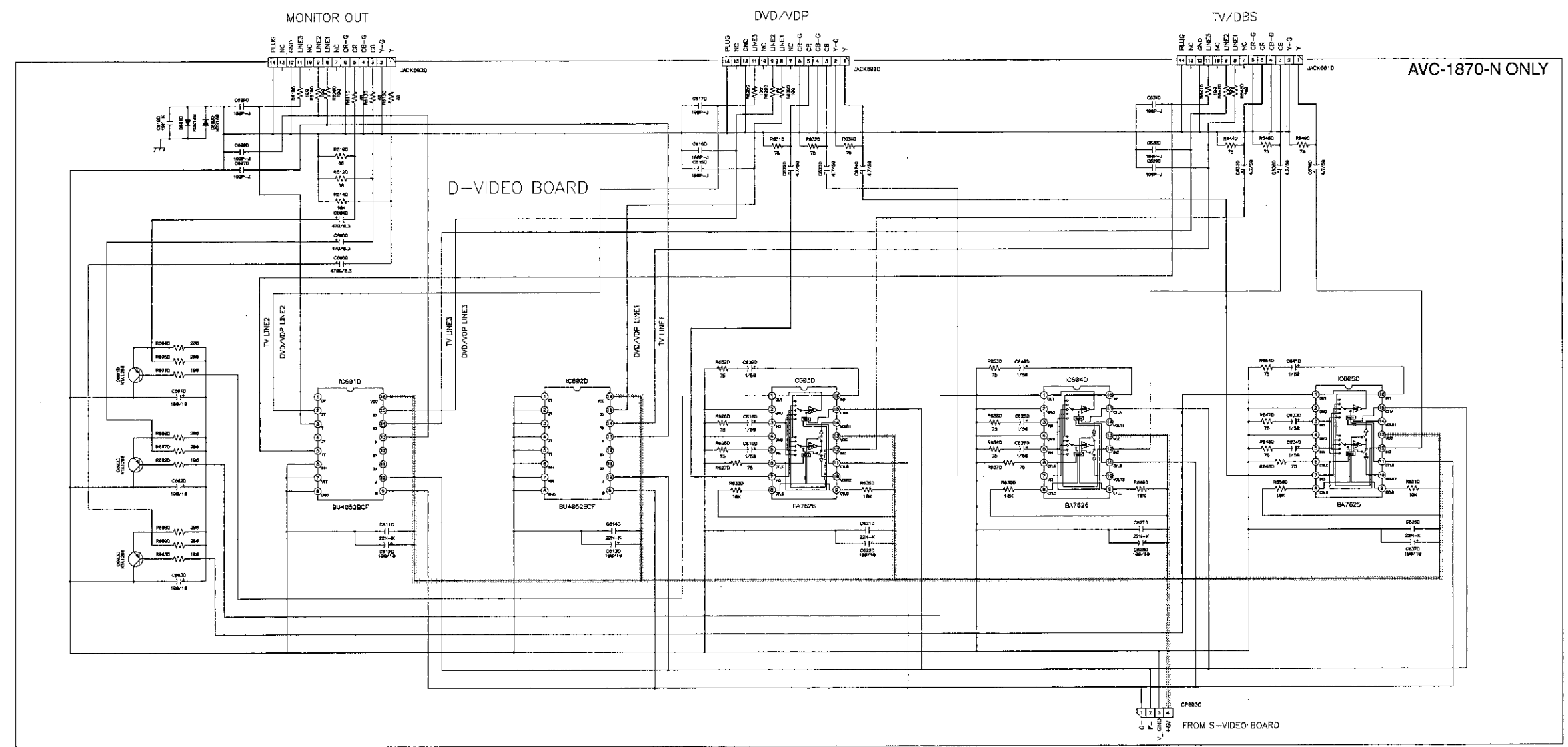
1 2 3 4 5 6 7 8 9 10 11



SCHEMATIC DIAGRAMS (7/10)
COMPONENT-VIDEO UNIT

SCHEMATIC DIAGRAMS (8/10)

1 2 3 4 5 6 7 8 9 10 11

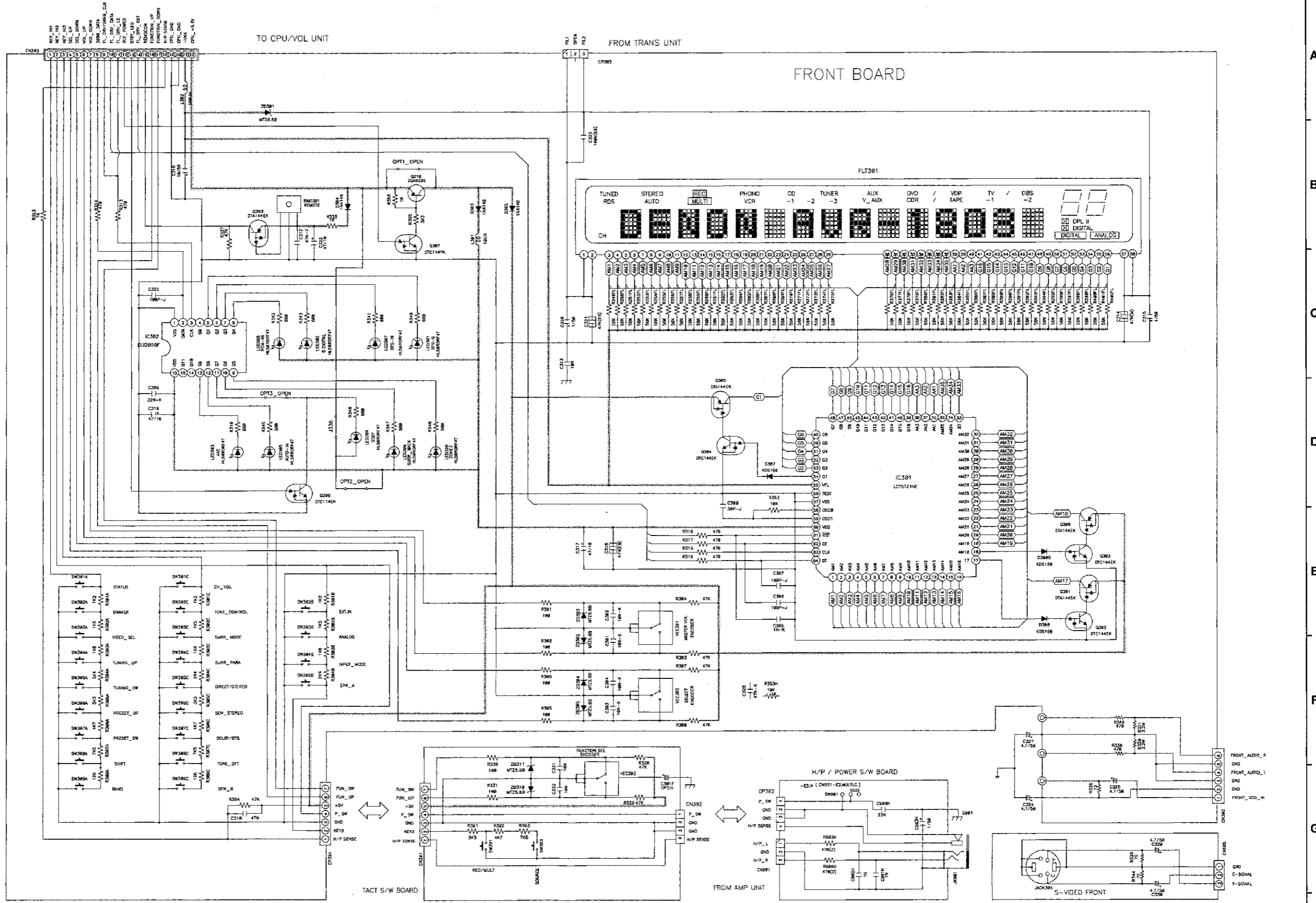


± B LINE
SCHEMATIC DIAGRAMS (8/10)
1CH-AMP UNIT
FRONT-CNT UNIT

A
B
C
D
E
F
G
H

SCHEMATIC DIAGRAMS (9/10)

1 2 3 4 5 6 7 8 9 10 11

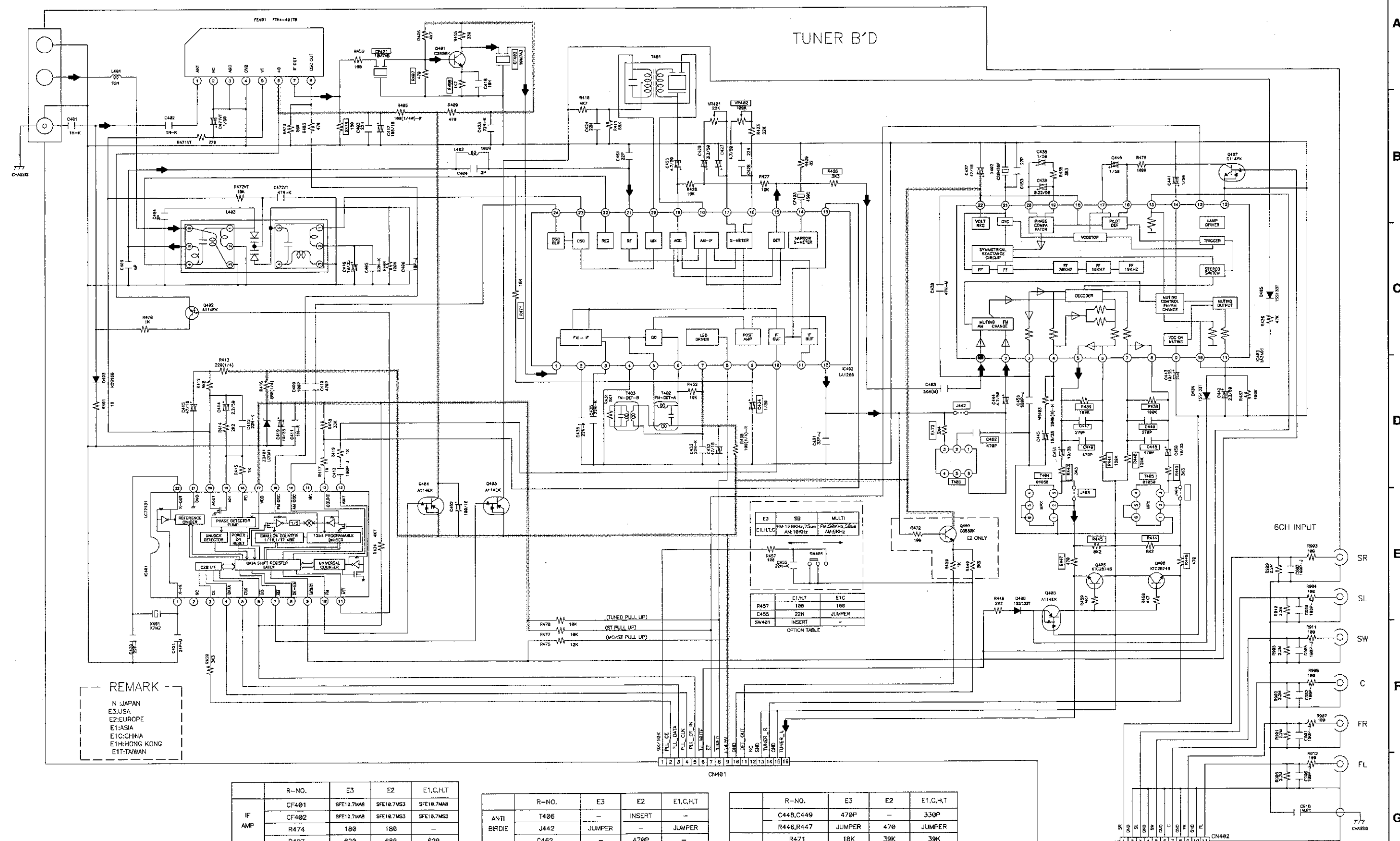


SCHEMATIC DIAGRAMS (9/10)
 FRONT UNIT
 SWITCH UNIT
 HEAD PHONE UNIT
 FRONT-S-VIDEO UNIT

± B LINE

SCHEMATIC DIAGRAMS (10/10)

1 2 3 4 5 6 7 8 9 10 11



REMARK
 N: JAPAN
 E3: USA
 E2: EUROPE
 E1: ASIA
 E1C: CHINA
 E1H: HONG KONG
 E1T: TAIWAN

	R-NO.	E3	E2	E1,C,H,T
IF AMP	CF401	SFE18.7MA8	SFE18.7MS3	SFE18.7MA8
	CF402	SFE18.7MA8	SFE18.7MS3	SFE18.7MS3
	R474	180	180	-
	R487	620	680	620
	R408	1.2K	680	1.2K
OUTPUT LEVEL	R428	3.3K	10K	6.8K
	R473	JUMPER	2.4K	JUMPER
	R444,R445	8.2K	3.3K	8.2K
	R442,R443	3.3K	2.2K	3.3K

	R-NO.	E3	E2	E1,C,H,T
ANTI BIRDIE	T406	-	INSERT	-
	J442	JUMPER	-	JUMPER
DE EMPHASIS	C462	-	470P	-
	T404,T405	-	INSERT	-
	J403,J404	JUMPER	-	JUMPER
	R440,R441	120K	220K	120K
	R439,R439	100K	150K	100K
C446,C447	270P	330P	180P	

	R-NO.	E3	E2	E1,C,H,T
ETC	C448,C449	470P	-	330P
	R446,R447	JUMPER	470	JUMPER
	R471	18K	39K	39K
	VR402	100KB	100KB	100KB
	C434	1/50	0.33/50	0.33/50

OPTION TABLE

	E1,H,T	E1C
R457	100	100
C455	22N	JUMPER
SW401	INSERT	-

±B LINE SIGNAL LINE
 SCHEMATIC DIAGRAMS (10/10)
 TUNER UNIT