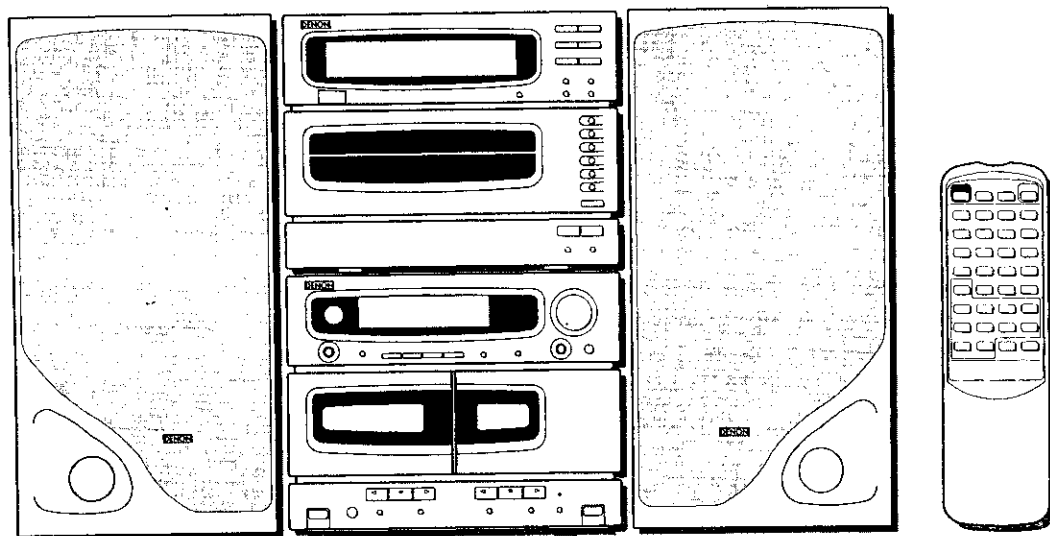


DENON

Hi-Fi Compact Component System

SERVICE MANUAL MODEL D-C30 COMPACT HI-FI COMPONENT SYSTEM

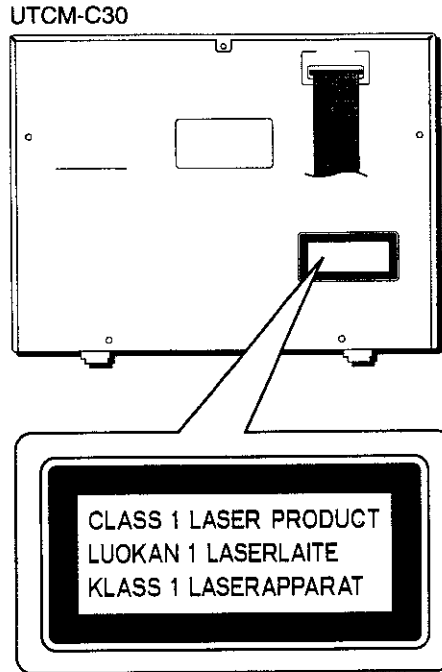


CONTENTS

SPECIFICATIONS	3
OPERATING INSTRUCTIONS	4-23
DISASSEMBLY & SERVICE POINT	24-31
ADJUSTMENTS	32-36
WIRING DIAGRAM	37, 38
PRINTED WIRING BOARD	39-41
SCHEMATIC DIAGRAM	42-46
BLOCK DIAGRAM	47
EXPLODED VIEW (CABINET)	48, 49
EXPLODED VIEW (CD MECHANISM)	50
EXPLODED VIEW (CASSETTE MECHANISM)	51-53
SEMICONDUCTORS	54-62
NOTE FOR PARTS LIST	63
PARTS LIST OF P.W.B. UNIT ASS'Y	64-73
PARTS LIST OF EXPLODED VIEW	74, 75
PACKING & ACCESSORIES	75
PARTS LIST OF CD CHANGER MECHANISM ASS'Y	76
PARTS LIST OF CASSETTE MECHANISM ASS'Y	77

NIPPON COLUMBIA CO., LTD.

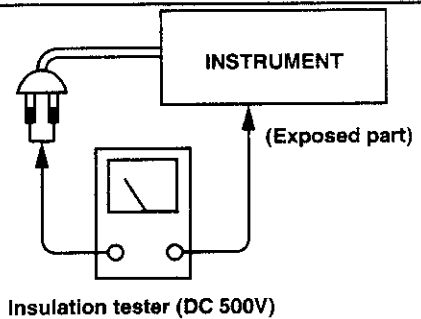
• The caution labels on laser usage



Check that exposed parts are acceptably insulated from the supply circuit before returning the repaired instrument to the customer.

• **Checking method**

Measure the resistance value between both poles of attachment cup (Power supply plug) and the exposed parts (parts such as Knob, Cover, etc. where the customer is easy to touch) to check that the resistance value is 500 kohms or more.



IMPORTANT:

1. **READ INSTRUCTIONS** — All the safety and operating instructions should be read before the appliance is operated.
2. **RETAIN INSTRUCTIONS** — The safety and operating instructions should be retained for future reference.
3. **FOR HOME USE ONLY** — This unit is designed for the purpose of enjoying sound in your home, and use for professional purpose cannot be guaranteed.

For U.S.A.

WARNING : TO PREVENT FIRE OR ELECTRIC SHOCK, DO NOT EXPOSE THIS APPLIANCE TO RAIN OR MOISTURE.

CAUTION: Use of controls or adjustments or performance of procedures other than those specified herein may result in hazardous radiation exposure.

CAUTION :

This product contains a low-power laser device. To ensure continued safety do not remove any covers or attempt to gain access to the inside of the products. Refer all servicing to qualified service personnel.

CAUTION

RISK OF ELECTRIC SHOCK

DO NOT OPEN

CAUTION: TO REDUCE THE RISK OF ELECTRIC SHOCK, DO NOT REMOVE COVER. NO USER-SERVICEABLE PARTS INSIDE. REFER SERVICING TO QUALIFIED SERVICE PERSONNEL.

Explanation of Graphical Symbols

The lightning flash with arrowhead symbol, within an equilateral triangle, is intended to alert the user to the presence of uninsulated "dangerous voltage" within the product's enclosure that may be of sufficient magnitude to constitute a risk of electric shock to persons. The exclamation point within an equilateral triangle is intended to alert the user to the presence of important operating and maintenance (servicing) instructions in the literature accompanying the appliance.

SAFETY PRECAUTIONS

The following precautions should be observed when servicing.

1. Since many parts in the unit have special safety-related characteristics, always use genuine Hitachi's replacement parts. Especially critical parts in the power circuit block should not be replaced with other makers. Critical parts are marked with Δ in the circuit diagram and printed wiring board.
2. Before returning a repaired unit to the customer, the service technician must thoroughly test the unit to ascertain that it is completely safe to operate without danger of electrical shock.

SPECIFICATIONS

• TUNER SECTION

Circuit system:	FM/MW/LW 3 bands [for EUROPE, U.K.] FM/SW/MW 3 bands [for AUSTRALIA, ASIA] FM/AM 2 bands [for U.S.A.]
Tuning range:	FM: 87.5 - 108 MHz (50 kHz step) MW: 522 - 1,611 kHz (9 kHz step) LW: 153 - 281 kHz (1 kHz step) [for EUROPE, U.K.] FM: 87.5 - 108 MHz (50 kHz step) SW: 3.8 - 12.5 MHz (5 kHz step) (MW Spacing: 9 kHz) MW: 522 - 1,611 kHz (9 kHz step) (MW Spacing: 10 kHz) MW: 530 - 1,710 kHz (10 kHz step) [for AUSTRALIA, ASIA] FM: 87.9 - 107.9 MHz (200 kHz step) AM: 530 - 1,710 MHz (10 kHz step) [for U.S.A.]

IEC Sensitivity: (S/N 26 dB)	FM: 1.5 μ V/75 ohms MW: 1,400 μ V/m (loop antenna) LW: 5,000 μ V/m (loop antenna) [for EUROPE, U.K.] SW: 400 μ V [for AUSTRALIA, ASIA] AM: 1,400 μ V/m (loop antenna) [for U.S.A.]
---	--

• TAPE DECK SECTION

Track system:	4 tracks, 2 channels
Recording system:	AC bias
Erasing system:	AC erase
Tape:	TAPE 1: Playback TAPE 2: Recording/Playback Normal/CrO ₂ /Metal (Playback only)
Tape speed:	4.75 cm/s
Frequency Response:	Normal: 40 - 15,000 Hz CrO ₂ : 40 - 16,000 Hz
S/N ratio:	63 dB (Dolby-on, IHF-A, 3% THD)

• AMPLIFIER SECTION

Input sensitivity/ Impedance:	MIC: 3 mV (10 kohms) AUX: 400 mV (27 kohms) (US pin sockets)
Output impedance:	External speaker terminals Suitable impedance: 6 - 16 ohms Headphones Suitable impedance: 8 - 100 ohms
Audio output:	37 W + 37 W (6 ohms, T.H.D. 1%)

• TIMER SECTION

System:	Digital quartz clock
Display format:	24-hour cycle 12-hour cycle [for EUROPE, U.K.] [for AUSTRALIA, ASIA and U.S.A.]
Timer accuracy:	Within 60 seconds at monthly rate

• CD PLAYER SECTION

Number of channels:	2
Frequency Response:	20 - 20,000 Hz
Disc:	12 cm/8 cm
Laser Diode Properties:	Wave length: 785 nm Laser output: Less than 175 μ W (IEC Pub 825) Less than 48.5 μ W (FDA CFR 21)

• GENERAL SPECIFICATION

Power supply:	AC 230 V, 50 Hz [for EUROPE, U.K.] AC 110 V - 120 V/ 220 V - 240 V, 50/60 Hz [for AUSTRALIA, ASIA] AC 120 V, 60 Hz [for U.S.A.]
Power consumption:	74 W [for EUROPE, U.K., AUSTRALIA and ASIA] 80 W [for U.S.A.]
Dimensions:	HTC-C22: 225 (W) x 175 (H) x 317 (D) mm HAD-C22: 225 (W) x 175 (H) x 366 (D) mm
Weight:	HTC-C22: 3.3 kg HAD-C22: 5.8 kg

• SPEAKER SECTION

System:	3-way bass reflex speaker system
Speakers:	Bass reflex: 14 cm x 1; 5 cm x 1; 2 cm x 1
Impedance:	6 ohms
Maximum Input Power:	50 W (music peak signal)
Dimensions:	HS-AX22: 175 (W) x 350 (H) x 205 (D) mm
Weight:	2.9 kg/piece

• ACCESSORIES

AM loop antenna:	1
FM indoor antenna:	1
[for U.K., AUSTRALIA, ASIA and U.S.A.]	
Remote control (RB-AXC55):	1

* Specifications are subjected to change without notice for performance improvement.

IMPORTANT SAFEGUARDS

SAFETY POINTS YOU SHOULD KNOW ABOUT YOUR AUDIO EQUIPMENT. (For U.S.A.)

CAUTION:

- Read all of these instructions.
- Save these instructions for later use.
- Follow all warnings and instructions marked on the audio equipment.

1. **Read Instructions** - All the safety and operating instructions should be read before the appliance is operated.
2. **Retain Instructions** - The safety and operating instructions should be retained for future reference.
3. **Heed Warnings** - All warnings on the appliance and in the operating instructions should be adhered to.

4. **Follow Instructions** - All operating and use instructions should be followed.
5. **Water and Moisture** - The appliance should not be used near water - for example, near a bathtub, washbowl, kitchen sink, laundry tub, in a wet basement, or near a swimming pool, etc.
6. **Carts and Stands** - The appliance should be used only with a cart or stand that is recommended by the manufacturer.

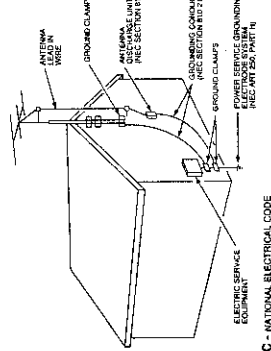


- 6A. An appliance and cart combination should be moved with care. Quick stops, excessive force, and uneven surfaces may cause the appliance and cart combination to overturn.
7. **Wall or Ceiling Mounting** - The appliance should be mounted to a wall or ceiling only as recommended by the manufacturer.
8. **Ventilation** - The appliance should be situated so that its location or position does not interfere with its proper ventilation. For example, the appliance should not be situated on a bed, sofa, rug, or similar surface that may block the ventilation openings; or, placed in a built-in installation, such as a bookcase or cabinet that may impede the flow of air through the ventilation openings.

9. **Heat** - The appliance should be situated away from heat sources such as radiators, heat registers, stoves, or other appliances (including amplifiers) that produce heat.
10. **Power Sources** - The appliance should be connected to a power supply only of the type described in the operating instructions or as marked on the appliance.
11. **Grounding or Polarization** - The precautions that should be taken so that the grounding or polarization means of an appliance is not defeated.
12. **Power-Cord Protection** - Power-supply cords should be routed so that they are not likely to be walked on or punctured by items placed upon or against them, paying particular attention to cords at plugs, convenience receptacles, and the point where they exit from the appliance.
13. **Cleaning** - The appliance should be cleaned only as recommended by the manufacturer.
14. **Power Lines** - An outdoor antenna should be located away from power lines.

15. **Outdoor Antenna Grounding** - If an outside antenna is connected to the receiver, be sure the antenna system is grounded so as to provide some protection against voltage surges and built up static charges. Section 810 of the National Electrical Code, ANS/NFPA No. 70 - 1990, provides information with respect to proper grounding of the mast and supporting structure, grounding of the lead-in wire to an antenna discharge unit, connection to grounding electrodes, and requirements for the grounding electrodes. See Figure below.

EXAMPLE OF ANTENNA GROUNDING AS PER NATIONAL ELECTRICAL CODE



NEC - NATIONAL ELECTRICAL CODE

16. **Nonuse Periods** - The power cord of the appliance should be unplugged from the outlet when left unused for a long period of time.
17. **Object and Liquid Entry** - Care should be taken so that objects do not fall and liquids are not spilled into the enclosure through openings.
18. **Damage Requiring Service** - The appliance should be serviced by qualified service personnel when:
 - A. The power-supply cord or the plug has been damaged; or
 - B. Objects have fallen, or liquid has spilled into the appliance; or
 - C. The appliance has been exposed to rain; or
 - D. The appliance does not appear to operate normally or exhibits a marked change in performance; or
 - E. The appliance has been dropped, or the enclosure damaged.

19. **Service** - The user should not attempt to service the appliance beyond that described in the operating instructions. All other servicing should be referred to qualified service personnel.

For CANADA

ATTENTION : POUR PREVENIR LES CHOCs ELECTRIQUES, NE PAS UTILISER CETTE FICHE DE POLARISATION AVEC UN PROLONGATEUR, UNE PRISE DE COURANT OU UNE AUTRE SORTIE DE CABLE, SAUF SI LES BLADES COMPLETS SONT INSERES A FOND. PEUVENT ETRE INSERES A FOND.

For U.S.A.

INFORMATION

This equipment has been tested and found to comply with the requirements of Class B digital device as described in Part 15 of the FCC Rules. These limits are designed to provide reasonable protection against harmful interference in a residential installation. This equipment generates, uses, and can radiate radio frequency energy and, if not installed and used properly, it may cause harmful interference to radio communications. However, there is no guarantee that interference will not occur in a particular installation. If this equipment does cause harmful interference, it can be identified by listening to the radio while the equipment is operating. If you find that the equipment is causing interference, you should take the following steps:

- Reorient or relocate the receiving antenna.
- Increase the separation between the equipment and receiver.
- Plug the power cord into a different outlet.
- Consult the dealer or an experienced radio/TV technician for help.

POWER CAUTION:

This unit is operated on 120 volt, 60 Hz (nominal) AC power. The plug provided with a polarized AC plug. One blade of the plug is wider than the other, which means that the plug can be inserted in one way only, as indicated in one of the diagrams.

For the sake of safety, do not damage the plug. In case of using an extension cord, make sure to use a cord provided with a polarized plug. When inserting the AC plug in the wall outlet, make sure to hold the plug tight. In order to avoid electric shocks and breaking of the cord, do not pull on the cord.

INSTALLATION:

- Do not place the unit where it is subjected to direct sunlight.
- Do not place the unit on or close to heat sources.
- Do not place the unit where it is subjected to dust.

For U.S.A.

Note to CATV system installer: This reminder is provided to call the CATV system installer's attention to Article 820.40 of the NEC that provides guidelines for proper grounding and, in particular, specifies that the cable ground shall be connected to the grounding system of the premises at the active point of cable entry as practical.

NOTICE:

The POWER button on the front panel and the POWER button on the remote control switch the unit on or off. The unit will continue to draw power from the line if the unit is left unattended for a long period. It is recommended that the unit is switched to standby and the mains plug is removed from the socket.

Para Canada

PRECAUCION : PARA EVITAR DESCARGAS ELECTRICAS, NO UTILICE ESTA CLAVIJA (POLARIZADA) CON UN CABLE DE EXTENSION, RECEPTACULO U OTRA TOMA, A NO SER QUE LOS CLAVILLOS SE PUEDAN INSERTAR A FONDO. PUEDE SER INSERTADO A FONDO.

IMPORTANT

1. Les instructions - Avant d'utiliser l'appareil, lire toutes les instructions de sécurité et de fonctionnement.
2. Conservez le mode d'emploi et les instructions de sécurité et de fonctionnement à titre de référence future.
3. Pour une utilisation à la maison uniquement - Cet appareil est conçu pour être utilisé dans une maison. L'utilisation pour un but professionnel ne peut pas être garantie.

PRECAUTION EN L'ALIMENTATION

Cet appareil fonctionne sur le secteur de 120 volts, 60 Hz (courant alternatif nominal). La fiche sécurisée est conçue pour être utilisée avec une fiche sécurisée polarisée. Une des lames de la fiche est plus large que l'autre. Ainsi, la fiche ne peut être insérée que dans un sens. Pour la sécurité, ne pas endommager la fiche. Dans le cas de l'utilisation d'une rallonge électrique, s'assurer d'en utiliser une avec des fiches polarisées. Lors du branchement de la fiche secteur, faire attention de bien saisir la fiche et de ne pas tirer sur le câble. Pour éviter tout choc électrique et cassure de la rallonge, ne pas tirer sur cette dernière.

INSTALLATION:

- Ne pas mettre l'appareil là où il est sujet à l'humidité ou au soleil.
- Ne pas placer l'appareil sur ou près d'un radiateur ou d'une source de chaleur.
- Ne pas mettre l'appareil là où il est sujet à la poussière.

AVIS:

Le bouton POWER du panneau avant et le bouton POWER de la télécommande commutent l'appareil sur ou hors de la prise électrique. L'appareil continuera de fonctionner si l'appareil n'est pas éteint pendant une longue période. Il est recommandé de le régler sur le mode veille et de débrancher la fiche d'alimentation de la prise électrique.

DEMONSTRATION

1. After you plug in or after any power interruption, Demonstration Display will be shown. To cancel the Demonstration Display, press the [DEMO] button again.
2. To return to normal operation, press the [DEMO] button again.

DEMONSTRATION

1. Après avoir branché l'appareil ou après une interruption de l'alimentation, l'affichage de démonstration sera affiché.
2. Pour repasser à l'affichage de démonstration, appuyer sur la touche [DEMO].

DEMOSTRACION

1. Después de enchufar, o después de una interrupción de alimentación, se mostrará una demostración de visualización. Para cancelar la visualización, presione el botón [DEMO].
2. Para regresar a la demostración de visualización, presione nuevamente el botón [DEMO].

PRECAUCIONES:

Esta unidad es operada (corriente alterna nominal) con 120 voltios, 60 Hz (corriente alterna nominal). La clavija para seguridad está diseñada para ser utilizada con una clavija polarizada de CA. Una clavija de clavija es más ancha que el otro, lo que significa que la clavija solo se puede insertar de una manera en una toma de pared. Por motivos de seguridad, no maltrate la clavija. En el caso de utilizar un cable de extensión, asegúrese de utilizar un cable provisto con clavija polarizada de CA. Durante el enchufamiento de la clavija a la toma de la pared, asegúrese de sostener la clavija misma. Para evitar descargas eléctricas y romper el cable, no tire del cable.

INSTALACION:

- No coloque la unidad en un lugar en donde haya humedad o luz solar directa.
- No coloque la unidad sobre o cerca de artefactos radiadores de calor.
- No coloque la unidad en un lugar en donde esté expuesta al polvo.

AVISO:

El botón POWER ubicado en el panel frontal y un control remoto conmuta la unidad de ON a STANDBY, pero no cancela la misma que la unidad de demostración. Para cancelar la unidad durante un período largo, se recomienda conmutarla a reserva (standby) y desconectar el enchufe principal del tomacorriente.

PRECAUTIONS

- Before switching the POWER button to ON, be sure to turn down the volume...
The D-C30 contains a muffled circuit and it takes about 2-4 seconds after the power is switched on...

PRECAUTIONS

- Always use the correct combination (KEY) in position ON, the bass cabinet (LABORATORY)
When you turn the volume up, the speaker will be damaged...

PRECAUTIONS

- After the start of the CD, the power supply (C-120) will be interrupted...
Do not touch the CD when it is rotating...

SAFEGUARDS

Electrical energy can perform many useful functions...
Use caution when using electrical equipment...

INSTALLATION

Do not use the D-C30 in high temperature areas...
Avoid the use of this unit in high temperature areas...

MEASURES DE SECURITE

Le D-C30 ne doit pas être utilisé dans des zones...
N'utilisez pas cet appareil dans des endroits...

MEDIDAS DE SEGURIDAD

La energía eléctrica puede realizar muchas funciones...
No toque el disco cuando está girando...

MEASURES DE SECURITE

La energía eléctrica puede realizar muchas funciones...
Ne touchez pas le disque quand il tourne...

MEDIDAS DE SEGURIDAD

La energía eléctrica puede realizar muchas funciones...
No toque el disco cuando está girando...

FEATURES

- 5-mode preset Graphic equalizer
Karaoke function
Digital Synthesizer Tuner with 24 preset stations
Remote control with 12 channels

CARACTERISTIQUES

- 5 modes préréglés égaliseur graphique à 5 bandes
Fonction KARAOKE
Tuner SYNTHEZISEUR à 24 stations
Commande à distance

CONTENTS

Table listing features and page numbers: FEATURES 5, CONNECTIONS 6, REMOTE CONTROL 6, SOUND CONTROL 10, LISTENING TO THE RADIO 12, BASIC OPERATION 14, PRESETTING RADIO STATIONS INTO THE MEMORY 16, LISTENING TO DISCS 18, PLAY MODES ARE AVAILABLE 18, LISTENING TO THE DESIRED TRACKS IN THE DESIRED ORDER 20, PROGRAMMED PLAY 22, LISTENING TO THE RADIO 22, LISTENING REPEATEDLY 24, LISTENING TO A TAPE 24, BASIC OPERATION 26, RECORDING 28, DUBBING (TAPE COPY) 28, AUTO EDIT RECORDING FROM DISCS 30, PROGRAMMABLE TIMER 32, TIMER PLAY 34, SLEEP TIMER 34, LISTENING TO AN EXTERNAL SOUND UNIT 34, MAINTENANCE 36, RECORDING PROTECTION 40

TABLE DE MATIERES

Table listing features and page numbers: CARACTERISTIQUES 5, CONNEXIONS 6, TELECOMMANDE 6, COMMANDES DE SON 10, ECOUTE DE LA RADIO 12, FONCTIONNEMENT DE BASE 14, PREREGLAGES DE STATIONS DE RADIO DANS LA MEMOIRE 16, ECOUTE DE DISQUES 18, MODES DE REPRODUCTION 18, ECOUTE DES PLAGES DESIREES DANS L'ORDRE DESIRE 20, LECTURE PROGRAMMEE 22, ECOUTE DE LA RADIO 22, LECTURE REPETEMENT 24, ECOUTE D'UNE CASSETTE RESTANTE 24, FONCTIONNEMENT DE BASE 26, ENREGISTREMENT 28, COPIE D'UNE BANDE 28, MONTAGE AUTOMATIQUE DE DISCS 30, MONTAGE PROGRAMMABLE 32, MONTAGE SLEEP 34, ECOUTE D'UNE UNITÉ SONORE EXTERIEURE 34, ENTRETIEN 36, PROTECTION CONTRE ENREGISTREMENT 40

INDEX

Table listing topics and page numbers: CARACTERISTIQUES 5, CONNEXIONS 6, TELECOMMANDE 6, COMMANDES DE SON 10, ECOUTE DE LA RADIO 12, FONCTIONNEMENT DE BASE 14, PREREGLAGES DE STATIONS DE RADIO DANS LA MEMOIRE 16, ECOUTE DE DISQUES 18, MODES DE REPRODUCTION 18, ECOUTE DES PLAGES DESIREES DANS L'ORDRE DESIRE 20, LECTURE PROGRAMMEE 22, ECOUTE DE LA RADIO 22, LECTURE REPETEMENT 24, ECOUTE D'UNE CASSETTE RESTANTE 24, FONCTIONNEMENT DE BASE 26, ENREGISTREMENT 28, COPIE D'UNE BANDE 28, MONTAGE AUTOMATIQUE DE DISCS 30, MONTAGE PROGRAMMABLE 32, MONTAGE SLEEP 34, ECOUTE D'UNE UNITÉ SONORE EXTERIEURE 34, ENTRETIEN 36, PROTECTION CONTRE ENREGISTREMENT 40

CARACTERISTIQUES

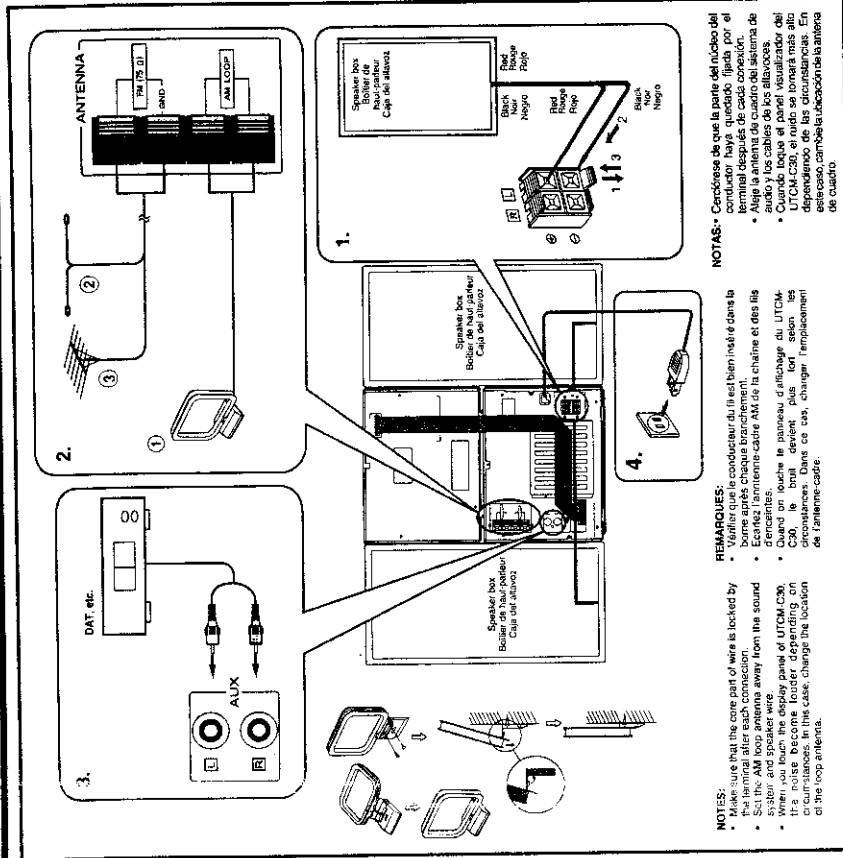
- Commande à distance
5 modes préréglés égaliseur graphique
Fonction KARAOKE
Tuner SYNTHEZISEUR à 24 stations

INDEX

Table listing topics and page numbers: CARACTERISTIQUES 5, CONNEXIONS 6, TELECOMMANDE 6, COMMANDES DE SON 10, ECOUTE DE LA RADIO 12, FONCTIONNEMENT DE BASE 14, PREREGLAGES DE STATIONS DE RADIO DANS LA MEMOIRE 16, ECOUTE DE DISQUES 18, MODES DE REPRODUCTION 18, ECOUTE DES PLAGES DESIREES DANS L'ORDRE DESIRE 20, LECTURE PROGRAMMEE 22, ECOUTE DE LA RADIO 22, LECTURE REPETEMENT 24, ECOUTE D'UNE CASSETTE RESTANTE 24, FONCTIONNEMENT DE BASE 26, ENREGISTREMENT 28, COPIE D'UNE BANDE 28, MONTAGE AUTOMATIQUE DE DISCS 30, MONTAGE PROGRAMMABLE 32, MONTAGE SLEEP 34, ECOUTE D'UNE UNITÉ SONORE EXTERIEURE 34, ENTRETIEN 36, PROTECTION CONTRE ENREGISTREMENT 40

CONEXIONES

CONNECTIONS



NOTAS:

- Cerciórese de que la parte del núcleo del conductor haya quedado fijada por el terminal después de cada conexión.
- Ajuste la antena de cuadro del sistema de audio para que el sonido sea el más claro.
- Cuando se toque el panel visualizador del UTM-C30, el ruido se tornará más alto dependiendo de las circunstancias. En este caso, cambie la ubicación de la antena de cuadro.

REMARKS:

- Verify that the conductor has been fixed to the terminal after each connection.
- Adjust the AM antenna away from the sound system and speaker wire.
- When you touch the panel of UTM-C30, the "brr" sound becomes louder depending on the circumstances. In this case, change the location of the loop antenna.

NOTES:

- Make sure that the core part of wire is locked by the terminal after each connection.
- Set the AM loop antenna away from the sound system and speaker wire.
- If a noise becomes louder depending on circumstances, in this case, change the location of the loop antenna.

1. Conexión de las antenas
 Cerciórese de conectar el conductor rojo a el terminal negro. Además, cerciórese de conectar el alfiler derecho a [A] y el izquierdo a [B].
NOTA: Esos terminales se utilizan solamente para conectar los cables de la caja del alfiler. No conecte otros cables a esos terminales.

2. Conexión de las antenas
 Antena de cuadro de AM (suministrada): Cerciórese de conectar esta antena.
 Antena interior de FM (suministrada): Cerciórese de conectar esta antena.
 Antena exterior de FM (opcional): Emplee esta antena cuando la recepción no sea suficientemente buena. En este caso, desconecte la antena interior.

3. Conexión de las tomas AUX
 Emplee estas tomas cuando desee conectar una unidad fuente de sonido extra.

4. Alimentación
 A un tomacorriente de CA 120 V, 60 Hz.
PRECAUCIÓN: Conecte el enchufe de alimentación solamente después de haber finalizado todas las demás conexiones.

1. Branchement des Haut-Parleurs
 Soyez sûr de connecter le fil rouge à la borne noire. De même, vérifiez à brancher le pinceau droit sur [A] et l'encente gauche sur [B].
REMARQUE: Ces bornes servent uniquement pour brancher les fils du boîtier de haut-parleur. On n'y branchera aucun autre fil.

2. Branchement d'Antenne
 Antenne cadre AM (fournie): Raccordez cette antenne.
 Antenne FM Intérieure (fournie): Raccordez cette antenne.
 Antenne FM extérieure (en option): Utilisez cette antenne si la réception laisse à désirer. Dans ce cas, débranchez l'antenne intérieure.

3. Branchement AUX
 Se servir de ces bornes pour brancher un appareil audio supplémentaire.

4. Alimentation
 Branchez le secteur de 120 V, 60 Hz.
ATTENTION: Branchez le cordon d'alimentation sur une prise secteur après avoir achevé toutes les connexions.

1. Speaker Connections
 Be sure to connect the red wire to [A] and the black wire to [B]. Also, be sure to connect the right speaker to [A] and the left speaker to [B].
NOTE: These terminals are only used to connect the speaker box wires. Do not connect other wires to these terminals.

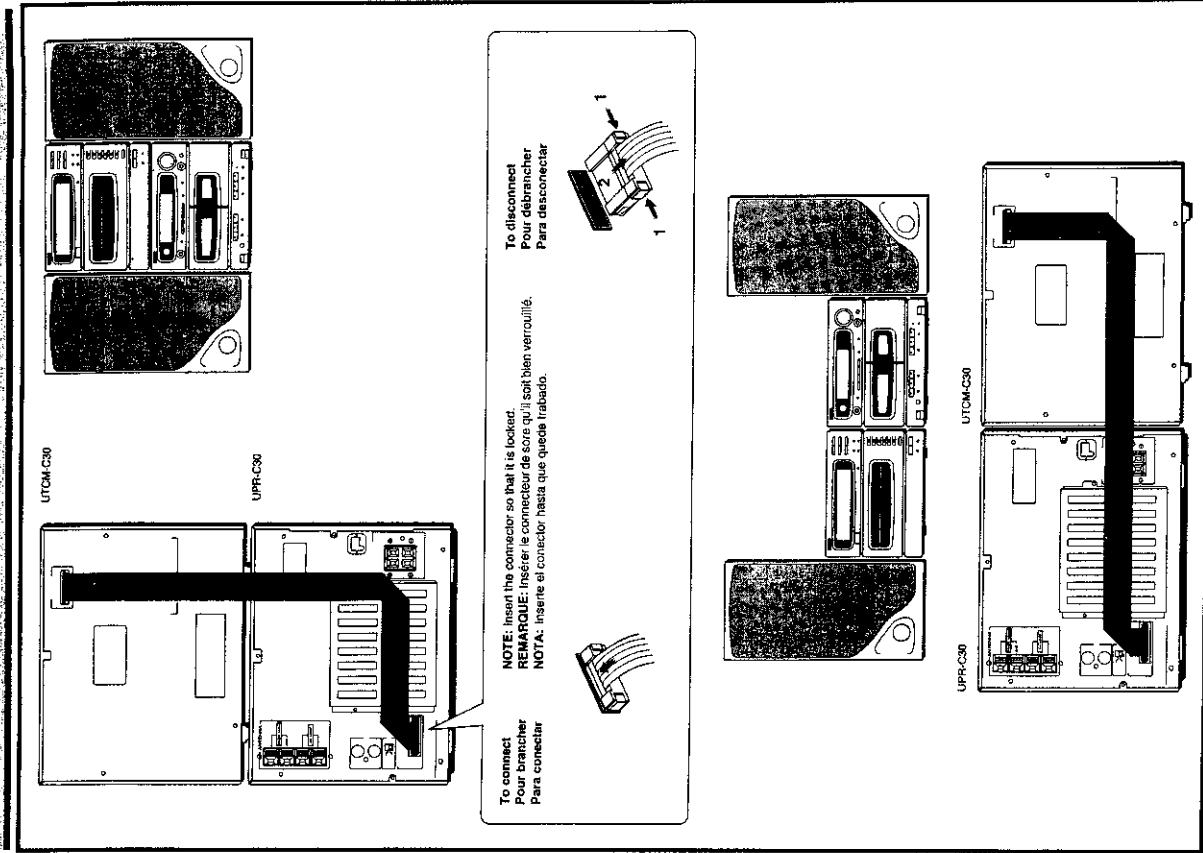
2. Antenna Connections
 AM Loop Antenna (supplied): Be sure to connect this antenna.
 FM Indoor Antenna (supplied): Be sure to connect this antenna.
 FM outdoor antenna (optional): Use this antenna when the reception is not good enough. In this case, disconnect the indoor antenna.

3. AUX Connections
 Use these terminals when you want to connect an extra sound unit.

4. Power Requirement
 To AC 120 V, 60 Hz.
CAUTION: Plug in the set only after all the connections have been completed.

CONEXIONES

CONNECTIONS



To connect
 Pour brancher
 Para conectar

NOTE: Insert the connector so that it is locked.
REMARQUE: Insérer le connecteur de sorte qu'il soit bien verrouillé.
NOTA: Inserte el conector hasta que quede trabado.

To disconnect
 Pour débrancher
 Para desconectar

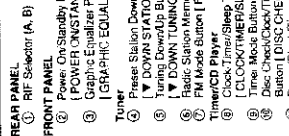
COMMANDES

CONTROLES



- PAINEL TRASERO**
 1 Selector de referencia radio (A, B)
PAINEL DELANTERO
 2 Botón de encendido/reserva [POWER ON/STANDBY] (Botón selector de patrones de ecualizador gráfico [GRAPHIC EQUALIZER PATTERN])
 3 Selector de emisora, memorizadas de frecuencia superior, DOWN STATION UP ▲ (Botón de antena/estación en descenso en modo de memorización de emisoras de radiodifusión) [MEMORY]
 4 Botón de modo de FM [FM MODE] (Memoria de reproducción de emisora de radio) [RECALL]
 5 Botón de modo de temporizador [TIMER MODE] (Comando conectado) [CLOCK/TIMER/SLEEP]
 6 Botón de hora de alarma del temporizador (+) [DISC CHECK/SET +]
 7 Botón de demostración de funcionamiento (demo) [DEMO/SET -]
 8 Botones selector de disco [DISC] (Botón de memoria de banda portatranscódigo) [▲] [OFF/CLOSE]
 9 Botón de parabombordo [STOP/CLEAR] [■]
 10 Botón de reproducción [PLAY/PAUSE] [▶]
 11 Botón de avance rápido/búsqueda con salto [SKIP] [▶▶]
 12 Botón de retroceso/búsqueda con salto [SKIP] [◀◀]
 13 Botón de reproducción en silencio [MUTE] [■]
 14 Botón de avance rápido/búsqueda con salto [SKIP] [▶▶]
 15 Botón de retroceso/búsqueda con salto [SKIP] [◀◀]

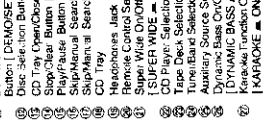
CONTROLES



- PAINEL AVANTI**
 1 Iluminación activada/en silencio [POWER ON/STANDBY]
 2 Tactura de selección de curso de equalización [GRAPHIC EQUALIZER PATTERN]
Tuner
 3 Tactura de avance rápido/búsqueda con salto [SKIP] [▶▶]
 4 Tactura de retroceso/búsqueda con salto [SKIP] [◀◀]
 5 Tactura de modo de memorización de estación [MEMORY]
 6 Tactura de modo de FM [FM MODE]
Memoria/lector CD
 7 Tactura de modo de programación de la minicinta [CLOCK/TIMER/SLEEP]
 8 Tactura de modo de temporizador [TIMER MODE]
 9 Tactura de modo de alarma del temporizador (+) [DISC CHECK/SET +]
 10 Tactura de demostración de funcionamiento (demo) [DEMO/SET -]
 11 Tactura de selección de disco [DISC] (Tactura de memoria de banda portatranscódigo) [▲] [OFF/CLOSE]
 12 Tactura de parabombordo [STOP/CLEAR] [■]
 13 Tactura de reproducción [PLAY/PAUSE] [▶]
 14 Tactura de avance rápido/búsqueda con salto [SKIP] [▶▶]
 15 Tactura de retroceso/búsqueda con salto [SKIP] [◀◀]
 16 Tactura de reproducción en silencio [MUTE] [■]
 17 Tactura de avance rápido/búsqueda con salto [SKIP] [▶▶]
 18 Tactura de retroceso/búsqueda con salto [SKIP] [◀◀]
 19 Tactura de reproducción en silencio [MUTE] [■]
 20 Tactura de avance rápido/búsqueda con salto [SKIP] [▶▶]



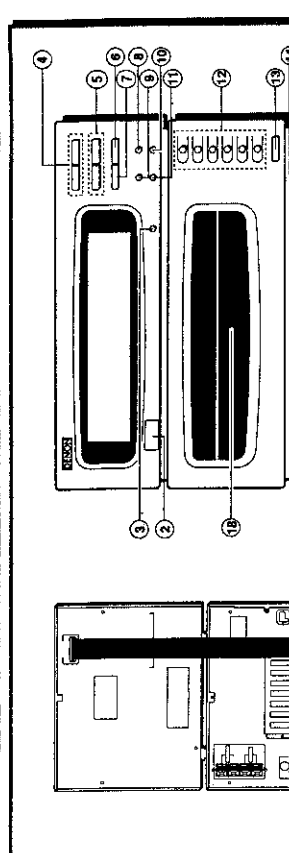
- Deck de cassettes**
 1 Botón de reproducción en silencio [MUTE] [■]
 2 Botón de reproducción en silencio [MUTE] [■]
 3 Botón de reproducción en silencio [MUTE] [■]
 4 Botón de reproducción en silencio [MUTE] [■]
 5 Botón de reproducción en silencio [MUTE] [■]
 6 Botón de reproducción en silencio [MUTE] [■]
 7 Botón de reproducción en silencio [MUTE] [■]
 8 Botón de reproducción en silencio [MUTE] [■]
 9 Botón de reproducción en silencio [MUTE] [■]
 10 Botón de reproducción en silencio [MUTE] [■]
 11 Botón de reproducción en silencio [MUTE] [■]
 12 Botón de reproducción en silencio [MUTE] [■]
 13 Botón de reproducción en silencio [MUTE] [■]
 14 Botón de reproducción en silencio [MUTE] [■]
 15 Botón de reproducción en silencio [MUTE] [■]



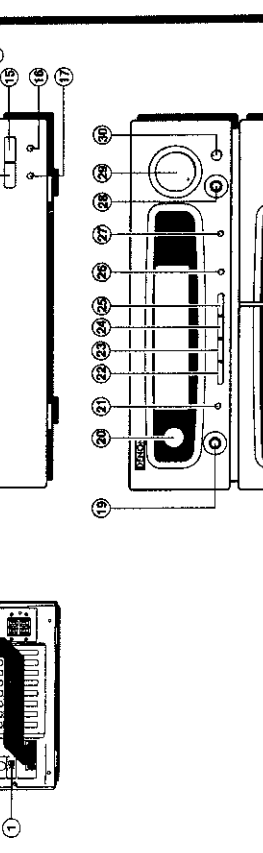
- REMOTE CONTROL (RC-194)**
 1 Botón de modo de programación de la minicinta [CLOCK/TIMER/SLEEP]
 2 Botón de modo de temporizador [TIMER MODE]
 3 Botón de hora de alarma del temporizador (+) [DISC CHECK/SET +]
 4 Botón de demostración de funcionamiento (demo) [DEMO/SET -]
 5 Botones selector de disco [DISC] (Botón de memoria de banda portatranscódigo) [▲] [OFF/CLOSE]
 6 Botón de parabombordo [STOP/CLEAR] [■]
 7 Botón de reproducción [PLAY/PAUSE] [▶]
 8 Botón de avance rápido/búsqueda con salto [SKIP] [▶▶]
 9 Botón de retroceso/búsqueda con salto [SKIP] [◀◀]
 10 Botón de reproducción en silencio [MUTE] [■]
 11 Botón de avance rápido/búsqueda con salto [SKIP] [▶▶]
 12 Botón de retroceso/búsqueda con salto [SKIP] [◀◀]
 13 Botón de reproducción en silencio [MUTE] [■]
 14 Botón de avance rápido/búsqueda con salto [SKIP] [▶▶]
 15 Botón de retroceso/búsqueda con salto [SKIP] [◀◀]
 16 Botón de reproducción en silencio [MUTE] [■]
 17 Botón de avance rápido/búsqueda con salto [SKIP] [▶▶]
 18 Botón de retroceso/búsqueda con salto [SKIP] [◀◀]
 19 Botón de reproducción en silencio [MUTE] [■]
 20 Botón de avance rápido/búsqueda con salto [SKIP] [▶▶]

COMMANDES

CONTROLES



- 1 Botón de reproducción en silencio [MUTE] [■]
 2 Botón de reproducción en silencio [MUTE] [■]
 3 Botón de reproducción en silencio [MUTE] [■]
 4 Botón de reproducción en silencio [MUTE] [■]
 5 Botón de reproducción en silencio [MUTE] [■]
 6 Botón de reproducción en silencio [MUTE] [■]
 7 Botón de reproducción en silencio [MUTE] [■]
 8 Botón de reproducción en silencio [MUTE] [■]
 9 Botón de reproducción en silencio [MUTE] [■]
 10 Botón de reproducción en silencio [MUTE] [■]
 11 Botón de reproducción en silencio [MUTE] [■]
 12 Botón de reproducción en silencio [MUTE] [■]
 13 Botón de reproducción en silencio [MUTE] [■]
 14 Botón de reproducción en silencio [MUTE] [■]
 15 Botón de reproducción en silencio [MUTE] [■]

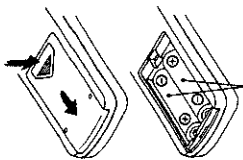


- 16 Botón de reproducción en silencio [MUTE] [■]
 17 Botón de reproducción en silencio [MUTE] [■]
 18 Botón de reproducción en silencio [MUTE] [■]
 19 Botón de reproducción en silencio [MUTE] [■]
 20 Botón de reproducción en silencio [MUTE] [■]
 21 Botón de reproducción en silencio [MUTE] [■]
 22 Botón de reproducción en silencio [MUTE] [■]
 23 Botón de reproducción en silencio [MUTE] [■]
 24 Botón de reproducción en silencio [MUTE] [■]
 25 Botón de reproducción en silencio [MUTE] [■]
 26 Botón de reproducción en silencio [MUTE] [■]
 27 Botón de reproducción en silencio [MUTE] [■]
 28 Botón de reproducción en silencio [MUTE] [■]
 29 Botón de reproducción en silencio [MUTE] [■]
 30 Botón de reproducción en silencio [MUTE] [■]
 31 Botón de reproducción en silencio [MUTE] [■]
 32 Botón de reproducción en silencio [MUTE] [■]
 33 Botón de reproducción en silencio [MUTE] [■]
 34 Botón de reproducción en silencio [MUTE] [■]
 35 Botón de reproducción en silencio [MUTE] [■]
 36 Botón de reproducción en silencio [MUTE] [■]
 37 Botón de reproducción en silencio [MUTE] [■]
 38 Botón de reproducción en silencio [MUTE] [■]
 39 Botón de reproducción en silencio [MUTE] [■]
 40 Botón de reproducción en silencio [MUTE] [■]
 41 Botón de reproducción en silencio [MUTE] [■]
 42 Botón de reproducción en silencio [MUTE] [■]
 43 Botón de reproducción en silencio [MUTE] [■]
 44 Botón de reproducción en silencio [MUTE] [■]
 45 Botón de reproducción en silencio [MUTE] [■]
 46 Botón de reproducción en silencio [MUTE] [■]
 47 Botón de reproducción en silencio [MUTE] [■]
 48 Botón de reproducción en silencio [MUTE] [■]
 49 Botón de reproducción en silencio [MUTE] [■]
 50 Botón de reproducción en silencio [MUTE] [■]
 51 Botón de reproducción en silencio [MUTE] [■]
 52 Botón de reproducción en silencio [MUTE] [■]
 53 Botón de reproducción en silencio [MUTE] [■]
 54 Botón de reproducción en silencio [MUTE] [■]
 55 Botón de reproducción en silencio [MUTE] [■]
 56 Botón de reproducción en silencio [MUTE] [■]
 57 Botón de reproducción en silencio [MUTE] [■]
 58 Botón de reproducción en silencio [MUTE] [■]
 59 Botón de reproducción en silencio [MUTE] [■]
 60 Botón de reproducción en silencio [MUTE] [■]
 61 Botón de reproducción en silencio [MUTE] [■]
 62 Botón de reproducción en silencio [MUTE] [■]
 63 Botón de reproducción en silencio [MUTE] [■]
 64 Botón de reproducción en silencio [MUTE] [■]
 65 Botón de reproducción en silencio [MUTE] [■]
 66 Botón de reproducción en silencio [MUTE] [■]
 67 Botón de reproducción en silencio [MUTE] [■]
 68 Botón de reproducción en silencio [MUTE] [■]
 69 Botón de reproducción en silencio [MUTE] [■]
 70 Botón de reproducción en silencio [MUTE] [■]
 71 Botón de reproducción en silencio [MUTE] [■]
 72 Botón de reproducción en silencio [MUTE] [■]
 73 Botón de reproducción en silencio [MUTE] [■]
 74 Botón de reproducción en silencio [MUTE] [■]
 75 Botón de reproducción en silencio [MUTE] [■]
 76 Botón de reproducción en silencio [MUTE] [■]
 77 Botón de reproducción en silencio [MUTE] [■]
 78 Botón de reproducción en silencio [MUTE] [■]
 79 Botón de reproducción en silencio [MUTE] [■]
 80 Botón de reproducción en silencio [MUTE] [■]
 81 Botón de reproducción en silencio [MUTE] [■]
 82 Botón de reproducción en silencio [MUTE] [■]
 83 Botón de reproducción en silencio [MUTE] [■]
 84 Botón de reproducción en silencio [MUTE] [■]
 85 Botón de reproducción en silencio [MUTE] [■]
 86 Botón de reproducción en silencio [MUTE] [■]
 87 Botón de reproducción en silencio [MUTE] [■]
 88 Botón de reproducción en silencio [MUTE] [■]
 89 Botón de reproducción en silencio [MUTE] [■]
 90 Botón de reproducción en silencio [MUTE] [■]
 91 Botón de reproducción en silencio [MUTE] [■]
 92 Botón de reproducción en silencio [MUTE] [■]
 93 Botón de reproducción en silencio [MUTE] [■]
 94 Botón de reproducción en silencio [MUTE] [■]
 95 Botón de reproducción en silencio [MUTE] [■]
 96 Botón de reproducción en silencio [MUTE] [■]
 97 Botón de reproducción en silencio [MUTE] [■]
 98 Botón de reproducción en silencio [MUTE] [■]
 99 Botón de reproducción en silencio [MUTE] [■]
 100 Botón de reproducción en silencio [MUTE] [■]

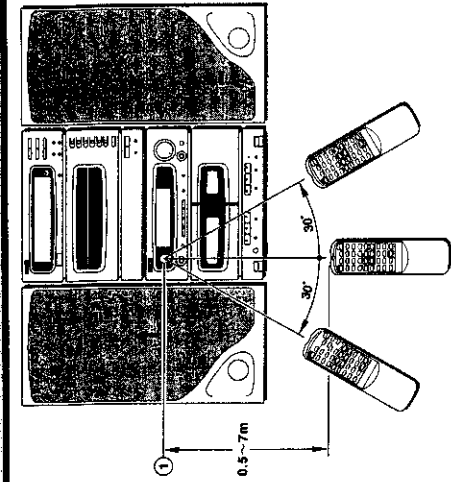
REMOTE CONTROL

TELECOMMANDE

CONTROL REMOTO



1.5V x 2 (IEC R6, "AA", JIS R6F/JIS SUM-3)



1. Point the remote control at the remote sensor (Ⓞ) when operating.
2. The remote control may not be effective in the strong day light.
3. Never get the remote control wet.
4. Replace the batteries when the performance of the remote control becomes unstable.

NOTES:

- Do not use new and old batteries or different kinds of batteries together.
- During radio listening (AM), if you operate the remote control extremely close to the sound system, some noise may be produced.

TELECOMMANDE

1. Diriger la télécommande vers le capteur de télécommande (Ⓞ) pour transmettre les instructions.
2. La télécommande risque de ne pas fonctionner dans une forte lumière solaire.
3. Ne jamais mouiller la télécommande.
4. Remplacer les piles lorsque la télécommande fonctionne irrégulièrement.

REMARQUES:

- Ne pas utiliser des piles neuves avec des piles anciennes ou des piles de types différents.
- Pendant l'écoute de la radio (AM), si la télécommande est utilisée trop près de la chaîne, des bruits risquent de se produire.

CONTROL REMOTO

1. Para empujar el controlador remoto, apunte con él hacia el sensor de controlador remoto (Ⓞ).
2. El controlador remoto no funcionará con luz diurna intensa.
3. Evite que el controlador remoto se humedezca.
4. Cuando el funcionamiento del controlador remoto se vuelve inestable, reemplaza las pilas.

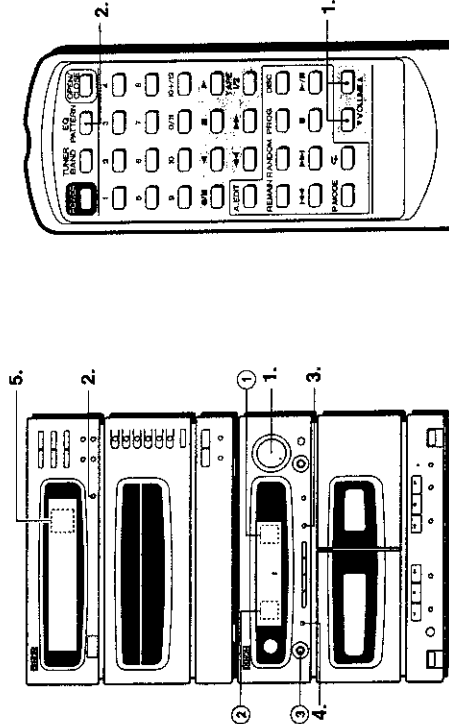
NOTAS:

- No use pilas nuevas y usadas al mismo tiempo. Use pilas de distintos tipos.
- Evite la humedad de la radio (AM), si apunta el controlador remoto demasiado cerca del sistema de audio, es posible que se produzca cierto ruido.

SOUND CONTROL

COMMANDES DE SON

CONTROLES DE SONIDO



VOLUME CONTROL

1. Press [VOLUME ▲] on the remote control to raise the sound level. You can also adjust it manually by turning the volume control [VOLUME] on the front panel.

GRAPHIC EQUALIZER PATTERN CONTROL

You can select into CLEAR and VOCAL with easy operation, matching to sound sources and your sound preference.

2. Press [EQ PATTERN] on the remote control or [GRAPHIC EQUALIZER PATTERN] on the front panel to select the Graphic equalizer pattern other than FLAT. "G.EQ" indicator appears in the display to tell you the Graphic equalizer pattern.

DYNAMIC BASS effect

3. Set [DYNAMIC BASS] ON / OFF in ON to get the bass effect, and then the DYNAMIC BASS indicator (Ⓞ) lights up. To turn it OFF, press [DYNAMIC BASS] ON / OFF again.

SUPER WIDE effect

4. Set [SUPER WIDE] ON / OFF to ON to get the super wide effect of concert hall. Then the SUPER WIDE indicator (Ⓞ) lights up. To turn it OFF, press [SUPER WIDE] ON / OFF again.

SPECTRUM ANALYZER

5. Sound factors of your sound source are displayed with 4 bands.

NOTE: The spectrum analyzer is not affected by any sound controls such as the graphic equalizer and dynamic bass control.

Listening with Headphones
Insert your headphones into the headphones jack (Ⓞ) to enjoy private listening. Once you plug in your headphones, the sound from the speakers will be muted.

COMMANDE DU VOLUME

1. Appuyez sur [VOLUME ▲] de la télécommande pour ajuster le niveau sonore. Un réglage manuel est également possible en tournant la commande du volume [VOLUME] sur le panneau avant.

EQUALISEUR GRAPHIQUE A 5 COURBES PREREGLEES

Vous pouvez sélectionner avec les sources avec les sources et vos propres goûts.

2. Appuyez sur [EQ PATTERN] de la télécommande ou [GRAPHIC EQUALIZER PATTERN] du panneau avant. Quand une courbe d'égalisation autre que FLAT est choisie, "G.EQ" apparaît sur l'affichage pour indiquer que la fonction des courbes d'égalisation est en service.

Effet GRAVES DYNAMIQUES

3. Régler [DYNAMIC BASS] ON / OFF sur ON pour bénéficier du son des graves riches. Le témoin de DYNAMIC BASS (Ⓞ) s'allume. Pour arrêter l'effet, appuyez de nouveau sur la même touche.

Effet SUPER LARGE

4. Régler [SUPER WIDE] ON / OFF sur ON pour apprécier l'effet stéréo d'une salle de concert. Le témoin de SUPER WIDE (Ⓞ) s'allume sur l'affichage. Pour arrêter l'effet [SUPER WIDE] ON / OFF, appuyez de nouveau sur la même touche.

ANALYSEUR DE SPECTRE

5. Les données sonores de la source sont affichées sur 4 gammes.

REMARQUE: L'analyseur de spectre n'est pas affecté par les commandes telles que l'égaliseur graphique et le contrôle des graves dynamiques.

Écoute au casque
Raccordez le casque d'écoute sur la prise de casque (Ⓞ) pour écouter en silence. Le fait de brancher le casque d'écoute a pour effet de rendre inaudible le son des haut-parleurs.

CONTROL DEL VOLUMEN SONORO

1. Presione el botón [VOLUME ▲] que se encuentra en el controlador remoto para elevar el nivel de sonido. También puede ajustarse manualmente, haciendo girar el control de volumen sonoro [VOLUME] que se halla en el panel delantero.

EQUALIZADOR GRAFICO CON 5 MODOS PREAJUSTADOS

Usted podrá seleccionar, con una operación fácil, el mejor ajuste de sonido entre FLAT, HEAVY, MILD, CLEAR y VOCAL, de acuerdo con la fuente de sonido y sus propios gustos.

2. Presione [EQ PATTERN] del telemando o [GRAPHIC EQUALIZER PATTERN] del panel delantero. Cuando haya seleccionado un patrón del equalizador gráfico que no sea "FLAT", en el visualizador aparecerá "G.EQ" para indicar que el patrón del equalizador gráfico está activado.

EFFECTO DE GRAVES DINAMICOS

3. Para obtener sonido de graves dinámicos, presione el interruptor [DYNAMIC BASS] ON / OFF en ON. El indicador de efecto de graves dinámicos, vuelva a presionar el mismo botón.

EFFECTO DE SONIDO SUPERAMPLIO (SUPER WIDE)

4. Para obtener el efecto superamplio, presione el interruptor [SUPER WIDE] ON / OFF en ON. El indicador SUPER WIDE (Ⓞ) se encenderá. Para cancelar el efecto superamplio, vuelva a presionar el mismo botón.

ANALIZADOR DE ESPECTRO

5. Los factores del sonido de la fuente de audio se visualizan en 4 bandas.

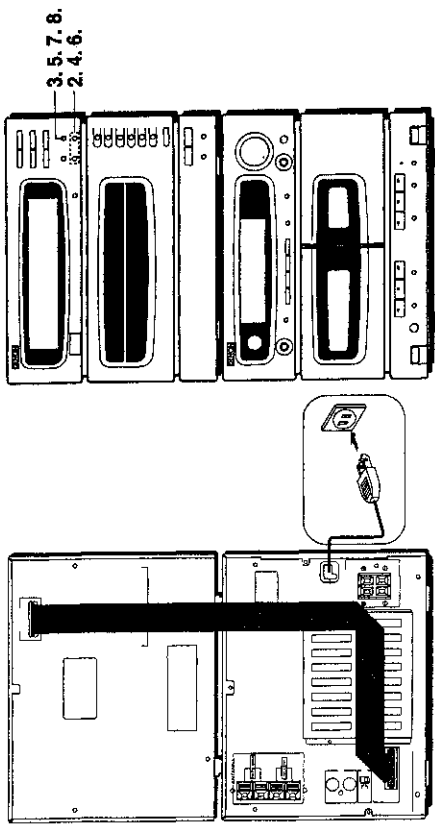
NOTA: El analizador de espectro no se verá afectado por ninguno de los controles, como los del equalizador gráfico o el control de graves dinámicos.

Para escuchar con auriculares
Conecte los auriculares en el receptáculo de auriculares (Ⓞ) para disfrutar de la escucha en privado. Una vez que se haya puesto los auriculares, el sonido de los altavoces se silenciará.

SETTING THE CLOCK

REGLAGE D'HORLOGE

AJUSTE DEL RELOJ



SETTING THE CLOCK

REGLAGE D'HORLOGE

AJUSTE DEL RELOJ

(Example of setting it at PM 6:25)

(Ejemplo: para ajustar el reloj a las PM 6:25)

Plug in
 1. Insert the power plug into the mains outlet, the demo station display will appear in the display.
 2. To cancel the demonstration display, press the [MEMO] button on the front panel. The power standby indicator (DEMO) and "--" will appear in the display. The clock needs to be reset if any power interruption occurs or unplugged power adapter is available since no memory backup is available.
To set the clock setting mode
 3. Press [CLOCK/TIMER/SLEEP] so that "CLOCK" appears in the display. It will be displayed for 5 seconds. If it disappears, press the same button again. The clock adopts 12-hour standard.
To set the current hour
 4. With "CLOCK" in the display, press either [SET +] or [SET -] repeatedly or continuously to set the current hour.
 5. Then press [CLOCK/TIMER/SLEEP].
To set the current minutes
 6. Press either [SET +] or [SET -] repeatedly or continuously to set the current minutes.
 7. Then press [CLOCK/TIMER/SLEEP] by a time signal.
NOTE: Clock setting mode will be cancelled unless you press [CLOCK/TIMER/SLEEP] within 60 seconds.
Tip: If the operation is not successful, repeat the operation to set the display.
To exit the setting mode
 8. Press [CLOCK/TIMER/SLEEP] and the current time will appear for 5 seconds.
TIP: The clock is displayed when the set is in power stand-by status.

Branchement
 1. Insérer la fiche d'alimentation dans la prise secteur et l'affichage de démonstration apparaît.
 2. Pour annuler l'affichage de démonstration, appuyez sur la touche [MEMO] du panneau avant. Le témoin de mise en attente (DEMO) et "--" apparaissent sur l'affichage.
ATTENTION: L'horloge doit être réglée de nouveau si une interruption de l'alimentation se produit ou après un débranchement du cordon de la sortie secteur car il n'y a pas de sauvegarde de la mémoire.
Pour passer en mode de réglage de l'heure
 3. Appuyez sur [CLOCK/TIMER/SLEEP] pour que "CLOCK" apparaisse sur l'affichage. Le mot reste affiché pendant 5 secondes. S'il disparaît, appuyez de nouveau sur la touche. L'horloge fonctionne suivant un cycle à 12 heures.
Réglage de l'heure actuelle
 4. Pendant que "CLOCK" est affiché, appuyez répétitivement sur [SET +] ou [SET -] ou plusieurs fois sur [SET +] ou [SET -] pour régler l'heure réelle.
 5. Ensuite, appuyez sur [CLOCK/TIMER/SLEEP].
Réglage des minutes actuelles
 6. Appuyez plusieurs fois sur [SET +] ou [SET -] ou gardez une des touches enfoncées pour régler les minutes.
 7. Appuyez sur la touche [CLOCK/TIMER/SLEEP] au top d'un signal horaire.
REMARQUE: Le mode de réglage d'horloge est annulé sauf si les touches numériques ou la touche [CLOCK/TIMER/SLEEP] est enfoncée dans les 60 secondes. Dans ce cas, répétez les opérations des étapes 3. -7.
Appel d'horloge sur l'affichage
 8. Appuyez sur la touche [CLOCK/TIMER/SLEEP] et l'heure actuelle apparaît pendant 5 secondes.
CONSEIL: L'heure est affichée quand l'appareil est en mode de veille.

Enchufe
 1. Inserte la clavija de alimentación en la toma de corriente, la demostración de visualización aparecerá en el visualizador.
 2. Para cancelar la demostración de visualización, presione el botón [MEMO] del panel delantero. El indicador de reserva de alimentación (DEMO) y "--" aparecerán en el visualizador.
PRECAUCIÓN: El reloj necesitará ajustarse si ocurriera alguna interrupción de alimentación, o si lo desenchufó de la toma de corriente ya que no hay memoria de reserva disponible.
Para establecer el modo de ajuste del reloj
 3. Presione [CLOCK/TIMER/SLEEP] de forma que en el visualizador aparezca "CLOCK". Esta indicación se visualizará durante 5 segundos. Si desaparece vuelva a pulsar el botón. El reloj adopta el ciclo de 12 horas estándar.
Para ajustar la hora actual
 4. Con "CLOCK" en el visualizador, presione repetidamente [SET +] o [SET -] para ajustar la hora actual.
 5. Después, presione [CLOCK/TIMER/SLEEP].
Para ajustar los minutos actuales
 6. Presione repetidamente [SET +] o [SET -] para ajustar los minutos actuales.
 7. Presione el botón [CLOCK/TIMER/SLEEP] al escuchar una señal horaria.
NOTA: El modo de ajuste de reloj será cancelado si usted no presiona botones numéricos o el botón [CLOCK/TIMER/SLEEP] en el transcurso de 60 segundos. Si esto sucediera, repita los pasos 3. -7.
Para hacer que la indicación hora sea exhibida en el visualizador
 8. Presione el botón [CLOCK/TIMER/SLEEP] y la hora actual será exhibida durante 5 segundos.
CONSEJO: El reloj se visualizará cuando la unidad está en el modo de alimentación en espera.

Branchement
 1. Insérer la fiche d'alimentation dans la prise secteur et l'affichage de démonstration apparaît.
 2. Pour annuler l'affichage de démonstration, appuyez sur la touche [MEMO] du panneau avant. Le témoin de mise en attente (DEMO) et "--" apparaissent sur l'affichage.
ATTENTION: L'horloge doit être réglée de nouveau si une interruption de l'alimentation se produit ou après un débranchement du cordon de la sortie secteur car il n'y a pas de sauvegarde de la mémoire.
Pour passer en mode de réglage de l'heure
 3. Appuyez sur [CLOCK/TIMER/SLEEP] pour que "CLOCK" apparaisse sur l'affichage. Le mot reste affiché pendant 5 secondes. S'il disparaît, appuyez de nouveau sur la touche. L'horloge fonctionne suivant un cycle à 12 heures.
Réglage de l'heure actuelle
 4. Pendant que "CLOCK" est affiché, appuyez répétitivement sur [SET +] ou [SET -] ou plusieurs fois sur [SET +] ou [SET -] pour régler l'heure réelle.
 5. Ensuite, appuyez sur [CLOCK/TIMER/SLEEP].
Réglage des minutes actuelles
 6. Appuyez plusieurs fois sur [SET +] ou [SET -] ou gardez une des touches enfoncées pour régler les minutes.
 7. Appuyez sur la touche [CLOCK/TIMER/SLEEP] au top d'un signal horaire.
REMARQUE: Le mode de réglage d'horloge est annulé sauf si les touches numériques ou la touche [CLOCK/TIMER/SLEEP] est enfoncée dans les 60 secondes. Dans ce cas, répétez les opérations des étapes 3. -7.
Appel d'horloge sur l'affichage
 8. Appuyez sur la touche [CLOCK/TIMER/SLEEP] et l'heure actuelle apparaît pendant 5 secondes.
CONSEIL: L'heure est affichée quand l'appareil est en mode de veille.

RECEPCION DE RADIO

ECOUTE DE LA RADIO

LISTENING TO THE RADIO

Operación básica (Ejemplo: recepción en FM)
Para encender el radio...

Funcionamiento de base (Ejemplo deécoute FM)
Mise sous tension de l'appareil...

Basic Operation (Example of listening to FM)
Turning the set on...

- 1. Apoyar sobre el botón [POWER] de la unidad de control remoto...
2. Para hacer que la banda deseada sea exhibida en el visualizador...

- 1. Appuyer sur le bouton [POWER] de la unité de commande...
2. Appuyer répétitivement sur la touche [TUNER BAND]...

- 1. Press [POWER] on the remote control or the front panel...
2. Press [TUNER BAND] on the front panel...

Para seleccionar la banda deseada...
Acercar el modo de sintonización...

Réglage de la gamme désirée...
A presionar el botón [TUNER BAND]...

Setting the desired band...
Pressing the [TUNER BAND] button...

Tabla de Pasos de Frecuencia de Sintonía. Columnas: Banda (FM, AM), Paso (0.2 MHz, 10 kHz).

Tableau des Paliers de Fréquence D'Accord. Columnas: Gamme (FM, AM), Palier (0.2 MHz, 10 kHz).

Table of Tuning Frequency Steps. Columnas: Band (FM, AM), Step (0.2 MHz, 10 kHz).

NOTA: Cuando la señal esté débil...
Presionar repetidamente el botón [TUNING UP]...

REMARQUE: Régler le mode de sintonisation...
Appuyez sur le bouton [TUNING UP]...

NOTE: Set the tuning mode to MONO if a stereo signal is too weak or a noise is audible...

PRESELECCIÓN DE ESTACIONES DE RADIO EN LA MEMORIA...
Presionar el botón [MEMORY]...

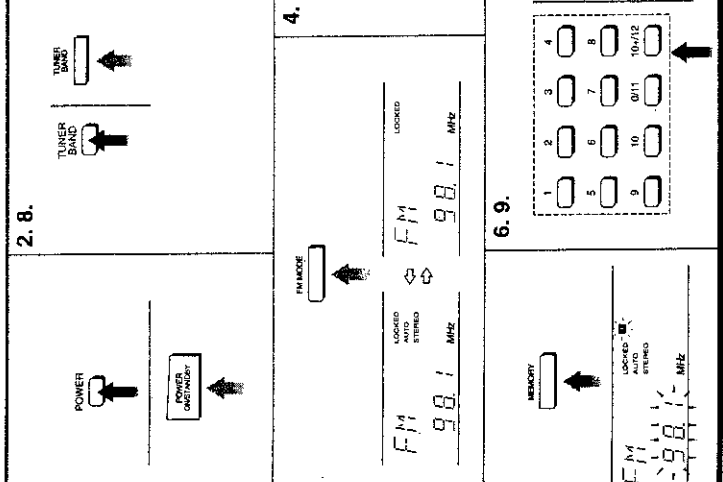
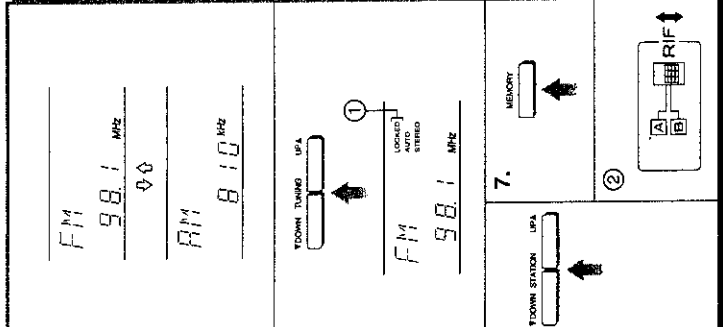
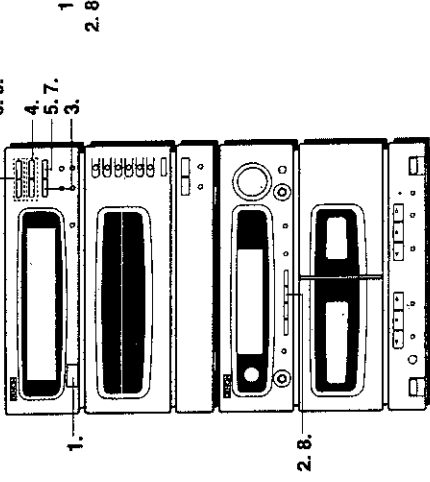
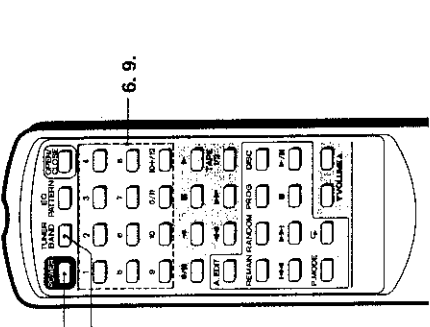
PRÉSELECTION DES STATIONS DE RADIO DANS LA MEMOIRE...
Appuyez sur le bouton [MEMORY]...

PRESETTING RADIO STATIONS INTO THE MEMORY...
Press [MEMORY] on the front panel...

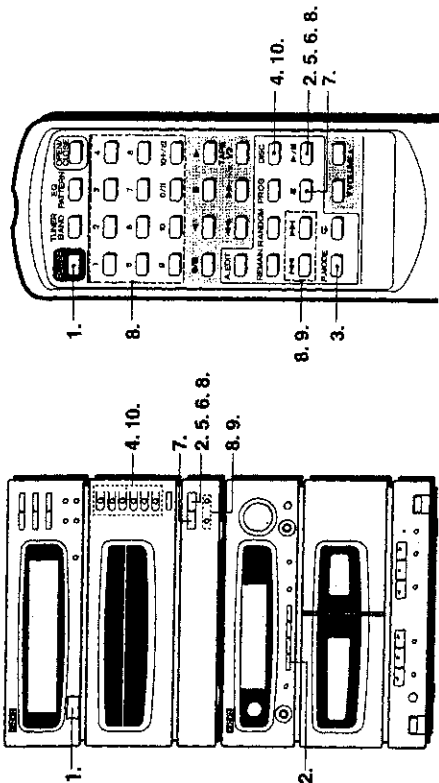
NOTAS: Presionar repetidamente el botón [TUNING UP]...

REMARQUES: Si le bruit de balayage est audible...

NOTES: If beat noise is audible during radio listening...



REPRODUCIENDO LOS DISCOS
ECOUTE DE DISQUES



REPRODUCIENDO LOS DISCOS
ECOUTE DE DISQUES

2 PLAY MODES ARE AVAILABLE
One-disc play: You can play up to 6 discs continuously (12 cm disc only).
Long play: You can play up to 6 discs continuously (12 cm disc only).

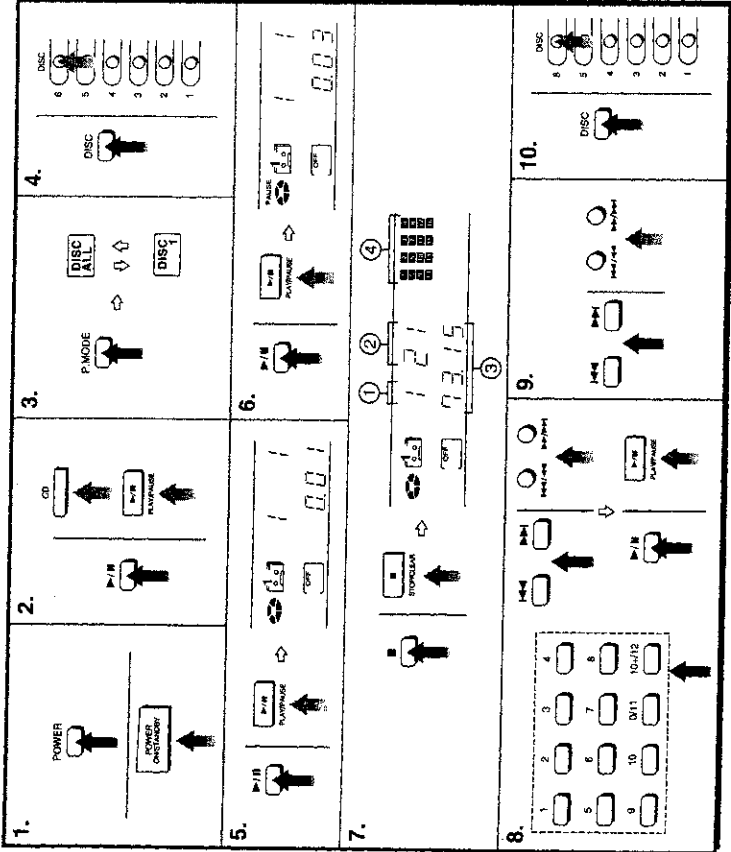
BASIC OPERATION
Turning the set on
1. Press [POWER] on the remote control or [POWER ON/STANDBY] on the front panel.
Selecting the CD mode
2. Press [CD] on the front panel.
NOTE: You can select the CD mode by pressing [▶/II] on the remote control or [PLAY/PAUSE] on the front panel. In that case the CD player starts play immediately.
Selecting the play mode
3. You can select One-disc play mode [▶/II] or Long play mode [▶/II] by pressing [P.MODE] on the remote control.
One-disc play mode [▶/II]: CD player plays the disc selected.
Long play mode [▶/II]: CD player plays from the disc selected to the last disc in the CD tray continuously.
4. Press [DISC] on the remote control. You can select the disc to play by pressing DISC number on the front panel. In this case, CD player starts play immediately.
5. Press [▶/II] on the remote control or [PLAY/PAUSE] on the front panel.
To halt play temporarily
6. Press [▶/II] on the remote control or [PLAY/PAUSE] on the front panel. To resume play, press the same button again.
To stop play
7. Press [STOP/CLEAR] on the remote control or [STOP/CLEAR] on the front panel. Then the disc number (①), the total number of tracks (②) and the total playing time (③) of the disc are indicated in the display. The music table (④) also indicates each track number.
To play from the desired track to the last track of disc
8. Press the particular track number on the remote control. Or select the desired track by repeatedly pressing [◀] or [▶] on the remote control or on the front panel, until the sample time on the front panel, [▶/II] or [▶/II], and the remote control or [PLAY/PAUSE] on the front panel.
To get a particular part of a track
9. Press and hold [▶/II] or [▶/II] on the remote control or on the front panel during play, and the CD player will start search. The player will start play when you release the button.
To change discs to play
10. During play, select the desired disc by repeatedly pressing [DISC] on the remote control or on the front panel. Then the CD player starts play from the first track of the disc you selected.
TIP: Just press [▶/II] on the remote control or [PLAY/PAUSE] on the front panel, and the sound system is automatically turned on, and the CD player starts play if a disc has been loaded.

2 MODES DE LECTURE SONT DISPONIBLES
Lecture un disque: Un disque particulier peut être reproduit.
Lecture longue durée: 6 disques peuvent être reproduits les uns après les autres. (Disque de 12 cm seulement).

FONCTIONNEMENT DE BASE
Mise sous tension de l'appareil
1. Appuyer sur la touche [POWER] de la télécommande ou sur la touche [POWER ON/STANDBY] du panneau avant.
Sélection du mode CD
2. Appuyer sur la touche [CD] du panneau avant.
REMARQUE: Le mode CD peut être sélectionné en appuyant sur [▶/II] de la télécommande ou sur [PLAY/PAUSE] du panneau avant. Dans ce cas, le lecteur CD commence immédiatement la lecture.
Sélection du mode de lecture
3. On peut choisir le mode Lecture Un Disque [▶/II] ou le mode Lecture Longue Durée [▶/II] en appuyant sur la touche [P.MODE] de la télécommande ou en appuyant sur la touche [▶/II] du panneau avant. Le lecteur effectue la lecture, ou la lecture continue jusqu'au dernier disque sur le plateau CD.
4. Appuyer sur [DISC] de la télécommande. On peut aussi sélectionner le disque à reproduire en appuyant sur le numéro DISC du panneau avant. Dans ce cas, le lecteur CD commence immédiatement la lecture.
Démarage de lecture de la première à la dernière plage
5. Appuyer sur la touche [▶/II] de la télécommande ou sur la touche [PLAY/PAUSE] du panneau avant.
Arrêt de lecture momentané
6. Appuyer sur la touche [▶/II] de la télécommande ou sur la touche [PLAY/PAUSE] du panneau avant. Pour reprendre la lecture, appuyer de nouveau sur la même touche.
Arrêt de lecture
7. Appuyer sur la touche [STOP/CLEAR] du panneau avant ou sur la touche [STOP/CLEAR] de la télécommande. Le lecteur arrête la lecture et indique le numéro de la plage (①), le nombre total de plages (②) et le temps de lecture total (③) de la plage de musique (④) sur le tableau de musique.
Lecture de la plage désirée jusqu'à la dernière plage sur le disque
8. Appuyer sur la touche de numéro de plage sélectionnée sur la télécommande. Ou bien sélectionner la plage (①) en appuyant sur la touche [▶/II] de la télécommande ou du panneau avant, et la touche [▶/II] de la télécommande ou du panneau avant, et appuyer sur la touche [▶/II] de la télécommande ou sur la touche [PLAY/PAUSE] du panneau avant.

DOS MODALIDADES DE REPRODUCCION DISPONIBLES
De un solo disco: Podrá reproducir un disco en un solo disco. Podrá reproducir hasta 6 discos consecutivamente. (discos de 12 cm solamente).
De larga duración: Podrá reproducir hasta 6 discos consecutivamente. (discos de 12 cm solamente).

OPERACION BÁSICA
Para encender el equipo
1. Presione el botón [POWER] de la unidad de control remoto o [POWER ON/STANDBY] del panel delantero.
Selección del modo de reproducción
2. Seleccione el modo de reproducción [▶/II] del panel delantero.
NOTA: Podrá elegir la modalidad del CD presionando el botón [▶/II] en la unidad de control remoto o el botón [PLAY/PAUSE] en el panel delantero. En tal caso, el reproductor de CD iniciará inmediatamente la reproducción de los discos compactos.
Selección del modo de reproducción
3. Se podrá seleccionar el modo de reproducción de un disco [▶/II] o el modo de reproducción de larga duración [▶/II] presionando el botón [▶/II] en la unidad de control remoto o el botón [PLAY/PAUSE] en el panel delantero. En tal caso, el reproductor de CD iniciará inmediatamente la reproducción de los discos compactos.
Modo de reproducción de larga duración
4. Seleccione el botón [▶/II] de la unidad de control remoto o el botón [PLAY/PAUSE] del panel delantero. El reproductor de CD comenzará a reproducir inmediatamente.
Para reproducir el disco desde la primera pista a la última
5. Presione el botón [▶/II] de la unidad de control remoto o el botón [PLAY/PAUSE] del panel delantero.
Para detener momentáneamente la reproducción
6. Presione el botón [▶/II] de la unidad de control remoto o el botón [PLAY/PAUSE] del panel delantero. Para reanudar la reproducción, presione el mismo botón otra vez.
Para detener la reproducción
7. Presione el botón [STOP/CLEAR] de la unidad de control remoto o el botón [STOP/CLEAR] del panel delantero de la unidad. Entonces aparecerá en el visualizador el número del disco (①), el total del número de pistas (②) y el total del tiempo de reproducción (③). La tabla de muestra (④) también indicará cada número de pista.
Para reproducir el disco desde una pista en particular hasta la última pista
8. Seleccione el número de la pista en la unidad de control remoto. O seleccione la pista seleccionada en la unidad de control remoto o el panel delantero y presione el botón [▶/II] de la unidad de control remoto o el botón [PLAY/PAUSE] del panel delantero.
Para cambiar una parte específica de una pista a otra
9. Durante la reproducción, seleccione el número de pista deseado presionando repetidamente el botón [▶/II] de la unidad de control remoto o del panel delantero. En tal caso, el reproductor de CD comenzará a reproducir, y el reproductor de CD comenzará la búsqueda, y el reproductor iniciará su función al soltar el botón.
Para cambiar el disco
10. Mientras está reproduciendo, seleccione el disco deseado presionando repetidamente el botón [DISC] de la unidad de control remoto o del panel delantero. En tal caso, el reproductor de CD comenzará a reproducir, y el reproductor de CD comenzará la búsqueda, y el reproductor iniciará su función al soltar el botón.
CONSEJO: Solo aprete el botón [▶/II] que se encuentra en el control remoto o el botón [PLAY/PAUSE] que está en el panel frontal, entonces se activará automáticamente el reproductor de CD y comenzará a reproducir el CD está cargado.



12 PLAY MODES ARE AVAILABLE
One-disc play: You can play up to 6 discs continuously (12 cm disc only).
Long play: You can play up to 6 discs continuously (12 cm disc only).

BASIC OPERATION
Turning the set on
1. Press [POWER] on the remote control or [POWER ON/STANDBY] on the front panel.
Selecting the CD mode
2. Press [CD] on the front panel.
NOTE: You can select the CD mode by pressing [▶/II] on the remote control or [PLAY/PAUSE] on the front panel. In that case the CD player starts play immediately.
Selecting the play mode
3. You can select One-disc play mode [▶/II] or Long play mode [▶/II] by pressing [P.MODE] on the remote control.
One-disc play mode [▶/II]: CD player plays the disc selected.
Long play mode [▶/II]: CD player plays from the disc selected to the last disc in the CD tray continuously.
4. Press [DISC] on the remote control. You can select the disc to play by pressing DISC number on the front panel. In this case, CD player starts play immediately.
5. Press [▶/II] on the remote control or [PLAY/PAUSE] on the front panel.
To halt play temporarily
6. Press [▶/II] on the remote control or [PLAY/PAUSE] on the front panel. To resume play, press the same button again.
To stop play
7. Press [STOP/CLEAR] on the remote control or [STOP/CLEAR] on the front panel. Then the disc number (①), the total number of tracks (②) and the total playing time (③) of the disc are indicated in the display. The music table (④) also indicates each track number.
To play from the desired track to the last track of disc
8. Press the particular track number on the remote control. Or select the desired track by repeatedly pressing [▶] or [▶] on the remote control or on the front panel, until the sample time on the front panel, [▶/II] or [▶/II], and the remote control or [PLAY/PAUSE] on the front panel.
To get a particular part of a track
9. Press and hold [▶/II] or [▶/II] on the remote control or on the front panel during play, and the CD player will start search. The player will start play when you release the button.
To change discs to play
10. During play, select the desired disc by repeatedly pressing [DISC] on the remote control or on the front panel. Then the CD player starts play from the first track of the disc you selected.
TIP: Just press [▶/II] on the remote control or [PLAY/PAUSE] on the front panel, and the sound system is automatically turned on, and the CD player starts play if a disc has been loaded.

LISTENING TO THE DESIRED TRACKS IN THE DESIRED ORDER

PARA REPRODUCIR LAS PISTAS EN UN ORDEN ESPECIFICO

PROGRAMMED PLAY: You can programme up to 16 tracks selecting from up to 8 discs and play them in the desired order.

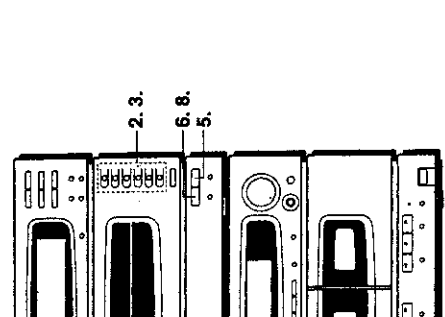
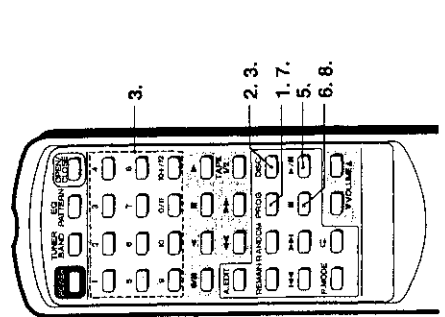
- 1. With the CD player in stop mode, press [PROG] on the remote control and 'PROG' will flash in the display. To select the desired disc: 2. Repeatedly press [DISC] on the remote control so that the DISC indicator of the desired disc blinks on the front panel. The selected disc number also appears in the display. You can also select the desired disc by pressing [DISC] on the desired disc number on the front panel. 3. Enter the track number (0 to 99) by pressing the track buttons on the remote control. To enter a track number bigger than 10, press [0+1/2] first on the remote control. To enter all the track numbers, press [0/1]. For examples: Track No. 5 Press [5] Track No. 12 Press [10+1/2] and [2] Track No. 20 Press [10+1/2] twice and [0/1].

NOTES: • The display will show the track number up to 16 only further tracks are still programmable. • To cancel programme mode, press [] on the remote control or [STOP/CLEAR] on the front panel. 4. Follow the same operation step 2-3 for further programming up to 16 tracks. 5. Press [] on the remote control or [PLAY/PAUSE] on the front panel. 6. Press [] on the remote control of [STOP/CLEAR] on the front panel once. NOTE: Programme steps will be cleared if you press [] or [STOP/CLEAR] more than one time.

To review the programme 7. Press [] on the remote control or [PROG] on the front panel. The programme numbers will be cleared from the last entry one by one. NOTE about 8 cm disc in programmed play: Play steps and other discs cannot be played in the programmed play. If the Error message appears in the display and the CD tray opens for you to remove the 8 cm disc.

REPRODUCTION PROGRAMMEE: Puede programarse hasta 16 pistas seleccionadas, hasta un máximo de 8 discos y reproducirlas en el orden deseado. 1. Estando el reproductor de CD en modo de detención, presione el botón [PROG] de la unidad de control remoto y la indicación "PROG" aparecerá en el visualizador. Para seleccionar el disco deseado: 2. Presione repetidamente el botón [DISC] de la unidad de control remoto, entonces el indicador DISC del disco deseado parpadeará en el panel delantero. Asimismo aparecerá en el visualizador el número de disco seleccionado. También podrá seleccionar el disco deseado presionando el botón [DISC] del disco deseado en el panel delantero. 3. Entre el número de pista (del 0 al 99) presionando los botones numéricos del control remoto. Para entrar un número de pista mayor que 10, primero, presione [10+1/2] en el control remoto. Para entrar el número de todas las pistas, presione [0/1]. Por ejemplo: Pista No. 5 Presione [5] Pista No. 12 Presione [10+1/2] y [2] Pista No. 20 Presione [10+1/2] dos veces y [0/1]. Usado podrá programar el número de pista desde otros discos. En este caso, repita los pasos descritos arriba. NOTAS: • El visualizador mostrará solamente el número de pista hasta el 16; para las pistas adicionales serán aún programables. • Para cancelar el modo de programación, presione el botón [] de la unidad de control remoto o el botón [STOP/ CLEAR] del panel delantero. 4. Continúe la misma operación, pasos 2-3 para la programación adicional de hasta 16 pistas. Para iniciar la reproducción 5. Presione el botón [] de la unidad de control remoto o el botón [PLAY/PAUSE] del panel delantero. Para revisar la reproducción 6. Presione una vez el botón [] de la unidad de control remoto o el botón [STOP/ CLEAR] del panel delantero de la unidad. NOTA: Los pasos de programa serán cancelados si usted presiona el botón [] o [STOP/CLEAR] más de una vez. 7. Presione repetidamente el botón [PROG] de la unidad de control remoto. Cada vez que la indicación "PROG" aparecerá en el visualizador, el número del disco (), el número de pista () y los pasos del programa () serán borrados. Para borrar el programa 8. Con el reproductor de CD en la modalidad parado, presione repetidamente el botón [STOP/CLEAR] del panel delantero. Los números del programa se borrarán de la última entrada uno por uno. NOTA acerca de los discos de 8 cm en la reproducción programada: La reproducción programada se puede realizar dentro de los discos de 8 cm. Pero, la reproducción programada entre discos de 8 cm y otros discos no puede realizarse. En caso de Error, aparecerá en el visualizador y la bandeja de CD se abrirá para que Ud. quite el disco de 8 cm.

LECTURE PROGRAMMEE: Jusqu'à 16 plages sélectionnées sur jusqu'à 8 disques peuvent être programmées et reproduites dans l'ordre désiré. 1. Le lecteur CD étant en mode d'arrêt, appuyer sur la touche [PROG] de la télécommande et "PROG" apparaît sur l'affichage. Pour sélectionner le disque désiré 2. Appuyer plusieurs fois sur [DISC] de la télécommande de sorte que l'indicateur DISC du disque désiré clignote sur le panneau avant. Le numéro du disque désiré apparaît sur [DISC] du numéro de disque désiré sur le panneau avant. 3. Entrer le numéro de plage (de 0 à 99) en appuyant sur les touches numériques de la télécommande. Pour entrer un numéro de plage supérieur à 10, appuyer d'abord sur [10+1/2] de la télécommande. Pour entrer toutes les numéros de plage, appuyer sur [0/1]. Par exemple: Plage No. 5 Appuyer sur [5] Plage No. 12 Appuyer sur [10+1/2] et sur [2] Plage No. 20 Appuyer sur [10+1/2] deux fois et sur [0/1]. On peut aussi programmer des plages d'autres disques. Dans ce cas, répéter les démarches ci-dessus. REMARQUES: • L'affichage n'indique que 16 numéros de pistes, mais toutes les pistes sont programmables. • Pour annuler le mode de programmation, appuyer sur la touche [] de la télécommande ou sur la touche [STOP/ CLEAR] du panneau avant. 4. Effectuer de nouvelles opérations 2-3 pour programmer jusqu'à 16 plages. Démarrage de lecture 5. Appuyer sur la touche [] de la télécommande ou sur la touche [PLAY/PAUSE] du panneau avant. Arrêt de lecture 6. Appuyer sur la touche [] de la télécommande ou appuyer une fois sur la touche [STOP/CLEAR] du panneau avant. REMARQUE: Les étapes de programmation sont effacées si la touche [] ou la touche [STOP/CLEAR] est enfoncée plusieurs fois. Révision de programme 7. Appuyer plusieurs fois sur [PROG] de la télécommande. Chaque fois que [PROG] est enfoncé, le numéro (), le pas de programmation () et son pas de l'affichage () sont indiqués sur l'afficheur. Effacement de programme 8. Le lecteur CD étant en mode d'arrêt, appuyer plusieurs fois sur ou maintenir enfoncé [] de la télécommande ou [STOP/CLEAR] du panneau avant. Les numéros programmés seront effacés un par un à partir du dernier entré. REMARQUE sur les disques de 8 cm en lecture programmée: La lecture programmée est possible, mais la lecture programmée entre un disque de 8 cm et d'autres disques ne peut pas. Dans le cas d'une telle lecture, le message Error apparaît sur l'affichage et le plateau de disque s'ouvre pour permettre le retrait du disque de 8 cm.



1. 2. 3. 4. 5. 6. 7. 8. [Diagram showing button presses and display changes for track selection and programming]

1. 2. 3. 4. 5. 6. 7. 8. [Diagram showing button presses and display changes for track selection and programming]

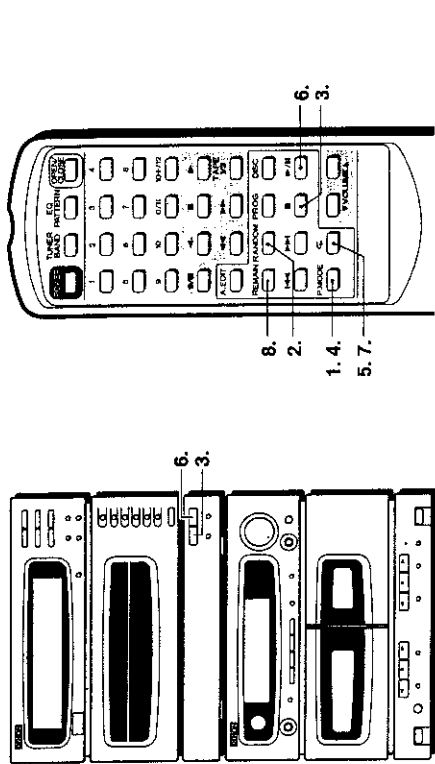
1. 2. 3. 4. 5. 6. 7. 8. [Diagram showing button presses and display changes for track selection and programming]

1. 2. 3. 4. 5. 6. 7. 8. [Diagram showing button presses and display changes for track selection and programming]

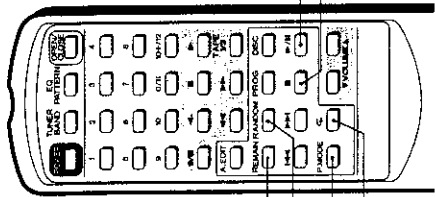
1. 2. 3. 4. 5. 6. 7. 8. [Diagram showing button presses and display changes for track selection and programming]

1. 2. 3. 4. 5. 6. 7. 8. [Diagram showing button presses and display changes for track selection and programming]

USEFUL FUNCTIONS IN CD PLAY



FUNCTION UTILE EN LECTURE DE DISQUE COMPACT



PRACTICAS FUNCIONES DE REPRODUCCION CD



USEFUL FUNCTIONS IN CD PLAY

RANDOM PLAY: You can make the player select tracks in random order.

To select play mode

1. Select One-disc play mode "CD" or Long play mode "LP" by pressing [P.MODE] on the remote control.
2. Press [P.MODE] on the front panel. CD player plays all tracks in the selected disc in random order.
3. Press [P.MODE] on the front panel. CD player plays all tracks of each disc in random order, starting from the disc you selected to the last disc.

To start random play

1. Press [P.MODE] on the front panel. "RANDOM" appears in the display.
2. With the CD mode, press [RANDOM] on the remote control. Then "RANDOM" appears in the display.

To cancel random play

1. Press [P.MODE] on the remote control or [STOP/CLEAR] on the front panel. "RANDOM" disappears in the display.
2. Press [P.MODE] on the remote control or [STOP/CLEAR] on the front panel. "RANDOM" disappears in the display.

NOTE: When you want to halt random play without cancelling the play, press [PAUSE] on the remote control or [PLAY/PAUSE] on the front panel.

- TIPS:**
- Pressing [PAUSE] makes the random play take a step forward.
 - Pressing [RANDOM] renews the random play.

LISTENING REPEATEDLY

To select play mode

1. Select One-disc play mode "CD" or Long play mode "LP" by pressing [P.MODE] on the remote control.
2. Press [P.MODE] on the front panel. CD player automatically plays the disc selected repeatedly.
3. Press [P.MODE] on the front panel. "LONG" appears in the display.
4. Press [P.MODE] on the front panel. "LONG" appears in the display.

NOTE: The CD player will automatically stop repeat play when 24 hours pass.

To set repeat play

1. Press [P.MODE] on the remote control or [PLAY/PAUSE] on the front panel.
2. Press [P.MODE] on the remote control or [PLAY/PAUSE] on the front panel.

TIP: You can repeat the desired tracks of the desired discs in combination with programmed play (see page 20).

To start repeat play

1. Press [P.MODE] on the remote control or [PLAY/PAUSE] on the front panel.
2. Press [P.MODE] on the remote control so that "REPEAT" will appear in the display.

NOTE: Repeat play is also cancelled by [STOP/CLEAR] on the front panel.

REMAINING TIME FUNCTION

1. Press [P.MODE] on the remote control or [PLAY/PAUSE] on the front panel.
2. Press [P.MODE] on the remote control or [PLAY/PAUSE] on the front panel.

NOTE: Remaining Time function is not available during Programmed Play and Random Play.

FUNCTION UTILE EN LECTURE DE DISQUE COMPACT

LECTURE ALÉATOIRE: Le lecteur peut sélectionner des plages pour la lecture aléatoire.

Pour sélectionner le mode de lecture

1. Sélectionner le mode Lecture Un Disque "CD" ou le mode Lecture Longue Durée "LP" en appuyant sur [P.MODE] de la télécommande.
2. Appuyer sur [P.MODE] sur le panneau avant. Le lecteur reproduit toutes les plages du disque choisi dans un ordre aléatoire.
3. Appuyer sur [P.MODE] sur le panneau avant. Le lecteur reproduit toutes les plages de chaque disque dans un ordre aléatoire en commençant par le disque choisi jusqu'au dernier disque.

Démarrage de lecture aléatoire

1. Le lecteur étant en mode CD, appuyer sur la touche [RANDOM] de la télécommande. L'affichage "RANDOM" apparaît sur l'écran.
2. Appuyer sur [P.MODE] sur le panneau avant. "RANDOM" apparaît sur l'affichage.

Annulation de lecture aléatoire

1. Appuyer sur la touche [STOP/CLEAR] de la télécommande ou sur la touche [STOP/CLEAR] du panneau avant. "RANDOM" disparaît de l'affichage.
2. Appuyer sur [P.MODE] sur le panneau avant. "RANDOM" disparaît de l'affichage.

REMARQUE: Lorsqu'on veut interdire la lecture aléatoire sans interrompre la lecture, appuyer sur la touche [PAUSE] de la télécommande ou sur la touche [PLAY/PAUSE] du panneau avant.

CONSEILS:

- Le fait d'appuyer sur la touche [PAUSE] fait avancer la lecture aléatoire d'un pas en avant.
- Le fait d'appuyer sur la touche [RANDOM] répare la lecture aléatoire.

ECOUTE RÉPÉTITIVE

Pour sélectionner le mode de lecture

1. Sélectionner le mode Lecture Un Disque "CD" ou le mode Lecture Longue Durée "LP" en appuyant sur [P.MODE] de la télécommande.
2. Appuyer sur [P.MODE] sur le panneau avant. Le lecteur reproduit de façon automatique et répétée le disque choisi.
3. Appuyer sur [P.MODE] sur le panneau avant. "LONG" apparaît sur l'affichage.
4. Appuyer sur [P.MODE] sur le panneau avant. "LONG" apparaît sur l'affichage.

REMARQUE: Le lecteur CD arrête automatiquement la lecture répétitive au bout de 24 heures.

Pour régler la lecture répétitive

1. L'appareil étant en mode CD, appuyer sur la touche [P.MODE] de la télécommande et [P.MODE] de la télécommande et [P.MODE] de la télécommande.
2. Appuyer sur [P.MODE] sur le panneau avant. "REPEAT" apparaît sur l'affichage.

CONSEIL: Les plages désirées sur les disques désirés peuvent être répétées en combinaison avec la lecture programmée (voir page 20).

Démarrage de lecture répétitive

1. Appuyer sur la touche [PAUSE] de la télécommande ou sur la touche [PLAY/PAUSE] du panneau avant.
2. Appuyer sur [P.MODE] sur le panneau avant. "REPEAT" apparaît sur l'affichage.

REMARQUE: La lecture répétitive est aussi annulée en appuyant sur [STOP/CLEAR] de la télécommande ou sur [STOP/CLEAR] du panneau avant.

FUNCTION DE DURÉE RESTANTE

1. Appuyer sur [P.MODE] de la télécommande est accompagné de la durée restante du disque accompagné de la mention "REMAIN".
2. Appuyer sur [P.MODE] de la télécommande est accompagné de la durée restante du disque accompagné de la mention "REMAIN".

REMARQUE: La fonction de durée restante n'est pas opérante en mode lecture programmé et lecture aléatoire.

PRACTICAS FUNCIONES DE REPRODUCCION CD

REPRODUCCION ARBITRARIA: Utilice el botón [P.MODE] para seleccionar las pistas en orden aleatorio.

Para seleccionar la modalidad de reproducción

1. Seleccione el modo de reproducción de un disco "CD" o el modo de reproducción de larga duración "LP" presionando [P.MODE] de la unidad de control remoto.
2. Presione el botón [P.MODE] del panel delantero. El reproductor de CD reproduce todas las pistas del disco seleccionado en orden aleatorio.
3. Presione el botón [P.MODE] del panel delantero. El reproductor de CD reproduce todas las pistas de cada disco en orden aleatorio, comenzando con el disco que usted seleccionó hasta el último disco.

Para iniciar la operación de reproducción arbitraria

1. Con el equipo en modo CD, presione el botón [RANDOM] de la unidad de control remoto. La indicación "RANDOM" aparecerá en el visualizador.
2. Presione el botón [P.MODE] del panel delantero. "RANDOM" aparecerá en el visualizador.

Para cancelar la operación de reproducción arbitraria

1. Presione el botón [STOP/CLEAR] del panel delantero de la unidad. La indicación "RANDOM" desaparecerá del visualizador.
2. Presione el botón [P.MODE] del panel delantero. "RANDOM" desaparecerá del visualizador.

NOTA: Cuando desee detener la operación de reproducción arbitraria sin cancelar el modo de reproducción, presione el botón [PAUSE] de la telecommande o el botón [PLAY/PAUSE] del panel delantero.

REPETICION DE LA REPRODUCCION

Para seleccionar la modalidad de reproducción

1. Seleccione el modo de reproducción de un disco "CD" o el modo de reproducción de larga duración "LP" presionando [P.MODE] de la unidad de control remoto.
2. Presione el botón [P.MODE] del panel delantero. El reproductor de CD reproduce automáticamente el disco seleccionado repetidamente.
3. Presione el botón [P.MODE] del panel delantero. "LONG" aparecerá en el visualizador.
4. Presione el botón [P.MODE] del panel delantero. "LONG" aparecerá en el visualizador.

REMARQUE: Le lecteur CD arrête automatiquement la lecture répétitive au bout de 24 heures.

Pour régler la lecture répétitive

1. L'appareil étant en mode CD, appuyer sur la touche [P.MODE] de la télécommande et [P.MODE] de la télécommande.
2. Appuyer sur [P.MODE] sur le panneau avant. "REPEAT" apparaît sur l'affichage.

CONSEIL: Les plages désirées sur les disques désirés peuvent être répétées en combinaison avec la lecture programmée (voir page 20).

Démarrage de lecture répétitive

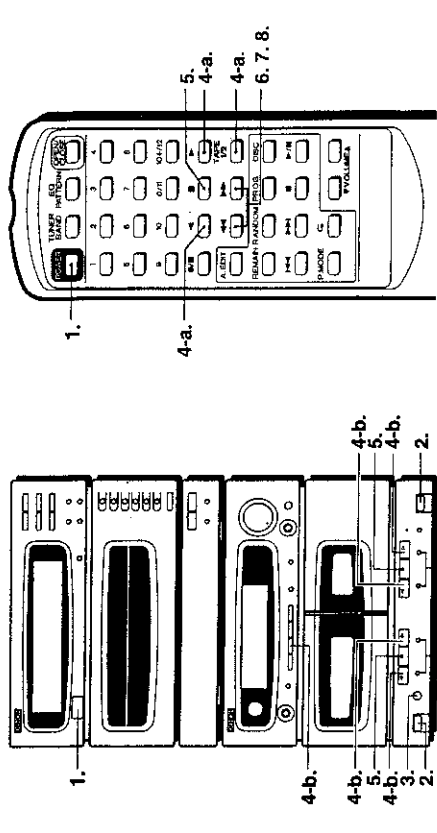
1. Appuyer sur la touche [PAUSE] de la télécommande ou sur la touche [PLAY/PAUSE] du panneau avant.
2. Appuyer sur [P.MODE] sur le panneau avant. "REPEAT" apparaît sur l'affichage.

REMARQUE: La lecture répétitive est aussi annulée en appuyant sur [STOP/CLEAR] de la télécommande ou sur [STOP/CLEAR] du panneau avant.

FUNCTION DE TEMPO RESTANTE

1. Appuyer sur [P.MODE] de la télécommande est accompagné de la durée restante du disque accompagné de la mention "REMAIN".
2. Appuyer sur [P.MODE] de la télécommande est accompagné de la durée restante du disque accompagné de la mention "REMAIN".

NOTA: La función de tiempo restante no estará disponible durante la reproducción programada ni la reproducción aleatoria.



<p>1. POWER</p> <p>2. EJECT</p> <p>3. EJECT</p> <p>4. EJECT</p> <p>5. EJECT</p> <p>6. EJECT</p> <p>7. EJECT</p> <p>8. EJECT</p>	<p>1. The tape side played in reverse play. Face de la cassette vue en mode de lecture inverse.</p> <p>2. The tape side played in forward play. Face de la cassette vue en mode de lecture normale.</p> <p>3. EJECT</p> <p>4. EJECT</p> <p>5. EJECT</p> <p>6. EJECT</p> <p>7. EJECT</p> <p>8. EJECT</p>	<p>1. The tape side played in reverse play. Face de la cassette vue en mode de lecture inverse.</p> <p>2. The tape side played in forward play. Face de la cassette vue en mode de lecture normale.</p> <p>3. EJECT</p> <p>4. EJECT</p> <p>5. EJECT</p> <p>6. EJECT</p> <p>7. EJECT</p> <p>8. EJECT</p>	<p>1. The tape side played in reverse play. Face de la cassette vue en mode de lecture inverse.</p> <p>2. The tape side played in forward play. Face de la cassette vue en mode de lecture normale.</p> <p>3. EJECT</p> <p>4. EJECT</p> <p>5. EJECT</p> <p>6. EJECT</p> <p>7. EJECT</p> <p>8. EJECT</p>
---	---	---	---

BASIC OPERATION

1. Press [POWER] on the remote control or [POWER ON/STANDBY] on the front panel.
2. Press [EJECT] on the front panel to open the cassette holder. Insert a cassette tape and close the cassette holder.
3. The Auto Tape-type Selector automatically detects your tape-type (Normal or CIO) and sets the best position for playback and recording.
4. Set [DOLBY NR. ON] or [OFF] to ON or OFF matching to the tape. If the tape has been recorded with the Dolby NR. Set [DOLBY NR. ON] or [OFF] to ON.

NOTES:

1. The cassette decks are equipped with the tape ejector. Each time you insert a tape into the cassette holder, the TAPE I/O selector automatically switches to the deck in which you inserted the tape.
2. If it is impossible to remove the cassette, an error alarm will be emitted. (The error alarm will be emitted when the cassette deck does not start play in the case of no tape inserted in the cassette deck or you operate.)
3. For the front panel operation: Press [TAPE I/O] to select TAPE mode. Then press [▶] for forward play or [◀] for reverse play on the desired cassette deck.

NOTE: The [▶] or [◀] do not switch when you operate from the front panel.

To stop play: Press [STOP] on the remote control or on the front panel.

NOTE: The stop deck automatically stops after having played 16 times both SIDA A and B.

To rapidly advance or rewind the tape: Press [▶▶] or [◀◀] on the remote control or [▶▶] or [◀◀] on the front panel.

NOTE: If you press [▶▶] or [◀◀] or [▶] or [◀] on the remote control or [▶▶] or [◀◀] or [▶] or [◀] on the front panel during play/stop, the cassette deck will stop.

To get the beginning of the song (Skip Search): Press [▶] or [◀] on the remote control or [▶] or [◀] on the front panel, and the cassette deck will start search with [▶] or [◀] in reverse play blinking at faster rate. When the beginning of the song is found, the cassette deck starts play.

NOTE: The skip search function works by detecting an unrecorded interval for more than 10 seconds in the below songs may not function.

- The unrecorded interval is less than 4 seconds.
- The songs have quiet or no sound parts.
- The unrecorded tape has a conversation.
- The unrecorded interval has a turn noise.
- When you operate this function while a TV is on. In this case, turn off the TV or move the unit away from the TV.

TIP: Just press [▶] or [◀] on the remote control or [▶] or [◀] on the front panel, and the cassette deck starts play if a tape has been loaded.

FUNCTIONNEMENT DE BASE

1. Appuyer sur la touche [POWER] de la mise sous tension de l'appareil ou [POWER ON/STANDBY] du panneau avant.
2. Appuyer sur la touche [EJECT] du panneau supérieur pour ouvrir le réceptacle à cassette. Insérer une bande et refermer le réceptacle à cassette.
3. Le type de bande est automatiquement détecté et la meilleure position pour la lecture ou l'enregistrement est choisie par la fonction de sélection automatique de bande.
4. Réglage du commutateur de réduction de bruit Dolby NR. sur ON ou OFF selon la bande. Si la bande a été enregistrée avec le système Dolby, régler [DOLBY NR. ON] sur ON ou OFF sur OFF.

REMARQUES:

1. Les platines cassette sont équipées d'un déjecteur de bande. Chaque fois que vous insérez une bande dans le réceptacle à cassette, le sélecteur TAPE I/O se commutera automatiquement sur la platine dans laquelle vous avez inséré la cassette.
2. Si le commutateur d'alimentation ne s'allume pas, il est impossible de retirer la cassette. (Il est impossible de retirer la cassette lorsque la platine ne démarre pas dans le cas où aucune bande n'est insérée dans la cassette.)
3. Lorsque la bande se déjecte sans s'arrêter, la platine cesse de fonctionner. (La platine cesse de fonctionner lorsque la bande n'est pas insérée dans la platine.)
4. Pour sélectionner le mode TAPE, appuyez sur [▶] pour déclencher la lecture en avant ou sur [◀] pour déclencher la lecture en arrière, ou sur [▶▶] ou [◀◀] pour déclencher la lecture en avant rapide ou en arrière rapide.

REMARQUE: Les touches [▶▶] ou [◀◀] ou [▶] ou [◀] ne passent pas à l'arrêt pendant la lecture ou l'arrêt.

REMARQUE: Si vous appuyez sur [▶▶] ou [◀◀] ou [▶] ou [◀] pendant la lecture ou l'arrêt, la platine cassette cessera de fonctionner.

REMARQUE: La fonction de recherche de début de chanson fonctionne en détectant un intervalle non enregistré de plus de 10 secondes dans les chansons ci-dessous. Elle ne fonctionnera pas si l'interval est inférieur à 4 secondes.

REMARQUE: Lorsque vous utilisez cette fonction pendant qu'un téléviseur est allumé, dans le cas échéant, éteignez le téléviseur ou éloignez l'appareil du téléviseur.

REMARQUE: Si vous appuyez sur [▶] ou [◀] pendant que le téléviseur est allumé, la lecture de la bande se mettra automatiquement sous tension et la platine cassette commencera la lecture si une bande a été chargée.

OPERACION BASICA

1. Presionar el botón [POWER] de la unidad de control remoto o el botón [POWER ON/STANDBY] del panel delantero de la unidad.
2. Presionar el botón [EJECT] del panel delantero. Insertar una cinta y cerrar el panel delantero.
3. El sistema de selección automática de cintas detectará automáticamente el tipo de cinta y elegirá la mejor posición para reproducción o grabación.
4. Para la operación con el control remoto: Presione [TAPE I/O] para seleccionar el modo TAPE. Después presione [▶] para reproducir la cinta en modo de reproducción normal o [▶▶] para reproducir la cinta en modo de reproducción rápida.

NOTAS:

1. Las decks de cintas disponen de un detector de cinta. Cada vez que inserta una cinta y cierre el panel delantero, el selector TAPE I/O cambiará automáticamente a la unidad de reproducción en la que se insertó la cinta.
2. Si el interruptor de alimentación se apaga a la posición OFF mientras se está reproduciendo o grabando, no se podrá retirar la cinta. (No se podrá retirar la cinta si el interruptor de alimentación no se enciende.)
3. Cuando se desactiva el interruptor de alimentación antes de intentar quitar el cassette, no se podrá retirar el cassette. (No se podrá retirar el cassette si no ha insertado una cinta en el mismo.)
4. Para la operación con el panel frontal: Presione [▶] para seleccionar el modo TAPE. Después presione [▶▶] para reproducir la cinta en modo de reproducción normal o [▶▶] para reproducir la cinta en modo de reproducción rápida.

NOTA: Cuando opere desde el panel delantero la indicación [EJECT] no cambiará.

NOTA: El botón [▶▶] de la unidad de control remoto o el botón de parada del panel delantero no funcionará si se presiona 16 veces ambos los botones A y B.

NOTA: Cuando se presiona [▶▶] o [◀◀] o [▶] o [◀] en modo de reproducción rápida o en modo de reproducción normal, la reproducción de la cinta se detendrá.

NOTA: Si se presiona [▶▶] o [◀◀] o [▶] o [◀] en modo de reproducción rápida o en modo de reproducción normal, la reproducción de la cinta se detendrá.

NOTA: Si se presiona [▶▶] o [◀◀] o [▶] o [◀] en modo de reproducción rápida o en modo de reproducción normal, la reproducción de la cinta se detendrá.

NOTA: Si se presiona [▶▶] o [◀◀] o [▶] o [◀] en modo de reproducción rápida o en modo de reproducción normal, la reproducción de la cinta se detendrá.

NOTA: Si se presiona [▶▶] o [◀◀] o [▶] o [◀] en modo de reproducción rápida o en modo de reproducción normal, la reproducción de la cinta se detendrá.

NOTA: Si se presiona [▶▶] o [◀◀] o [▶] o [◀] en modo de reproducción rápida o en modo de reproducción normal, la reproducción de la cinta se detendrá.

NOTA: Si se presiona [▶▶] o [◀◀] o [▶] o [◀] en modo de reproducción rápida o en modo de reproducción normal, la reproducción de la cinta se detendrá.

NOTA: Si se presiona [▶▶] o [◀◀] o [▶] o [◀] en modo de reproducción rápida o en modo de reproducción normal, la reproducción de la cinta se detendrá.

NOTA: Si se presiona [▶▶] o [◀◀] o [▶] o [◀] en modo de reproducción rápida o en modo de reproducción normal, la reproducción de la cinta se detendrá.

NOTA: Si se presiona [▶▶] o [◀◀] o [▶] o [◀] en modo de reproducción rápida o en modo de reproducción normal, la reproducción de la cinta se detendrá.

NOTA: Si se presiona [▶▶] o [◀◀] o [▶] o [◀] en modo de reproducción rápida o en modo de reproducción normal, la reproducción de la cinta se detendrá.

NOTA: Si se presiona [▶▶] o [◀◀] o [▶] o [◀] en modo de reproducción rápida o en modo de reproducción normal, la reproducción de la cinta se detendrá.

NOTA: Si se presiona [▶▶] o [◀◀] o [▶] o [◀] en modo de reproducción rápida o en modo de reproducción normal, la reproducción de la cinta se detendrá.

GRABACION DE CINTAS

ENREGISTREMENT D'UNE BANDE

RECORDING A TAPE

NOTA: Antes de iniciar la grabación, el nivel de volumen debe estar en la posición de máxima potencia. Después de haber iniciado la grabación, cambie automáticamente durante la grabación. Antes de iniciar la grabación, asegure de que el nivel de volumen esté en la posición de máxima potencia. Después de haber iniciado la grabación, cambie automáticamente durante la grabación. Antes de iniciar la grabación, asegure de que el nivel de volumen esté en la posición de máxima potencia. Después de haber iniciado la grabación, cambie automáticamente durante la grabación.

REMARQUE: Avant de commencer l'enregistrement, le niveau de volume doit être réglé sur la position de puissance maximale. Après avoir commencé la bande, le niveau de volume doit changer automatiquement pendant l'enregistrement.

NOTE: Before starting recording with Auto Reverse function, the volume level should be set to maximum. After starting recording, the volume level will change automatically during recording. Notice the following before starting recording.

BASIC OPERATION
Turning the set on.
Press [POWER] on the remote control of POWER ON (STANDBY) on the front panel.

1. Press [POWER] on the remote control of POWER ON (STANDBY) on the front panel.
2. Press [TAPE] on the front panel to select the cassette deck. Then insert a cassette tape so that the SHK-A faces forward.

2-b. For recording onto one side of a tape:
Press [RECORD] on the front panel. The recording indicator will light up. Press [STOP] on the front panel to stop recording. Then insert a cassette tape so that the SHK-A faces forward to record on the reverse side of the tape.

TIP: Use the JOLY (DOLBY NR) indicator to check the recording level. Press [RECORD] on the front panel to start recording. Then press [STOP] on the front panel to stop recording.

Setting the Dolby Noise Reduction selector
1. Press [DOLBY NR] on the front panel to select the recording level.

Preparing the sound source for recording (TUNER, CD or AUX)
See page 14 for TUNER, page 15 for CD and page 16 for AUX.

To start recording
Press [RECORD] on the remote control of RECORD on the front panel. The recording indicator will light up. Press [STOP] on the front panel to stop recording.

OPERACION BASICA
Encendido del aparato.
Presione el botón [POWER] en la unidad de control remoto o el botón [POWER ON (STANDBY)] del panel frontal para seleccionar la reproducción de la cinta frontal.

FUNCTIONNEMENT DE BASE
Mise sous tension de l'appareil.
Appuyez sur le bouton [POWER ON (STANDBY)] de la télécommande ou sur la touche [POWER ON (STANDBY)] du panneau avant.

Chargement d'une cassette dans le lecteur.
Appuyez sur [TAPE] de la télécommande ou sur [TAPE] du panneau avant pour sélectionner le lecteur de cassette. Insérez une cassette dans le lecteur de cassette avec le SHK-A face avant.

2-b. Pour enregistrer sur une seule face de la cassette:
Appuyez sur [RECORD] de la télécommande ou sur [RECORD] du panneau avant pour commencer l'enregistrement. Appuyez sur [STOP] de la télécommande ou sur [STOP] du panneau avant pour arrêter l'enregistrement. Insérez une cassette avec le SHK-A face avant pour enregistrer sur l'autre face de la cassette.

CONSEIL: Utilisez l'indicateur de réduction de bruit JOLY (DOLBY NR) pour vérifier le niveau de la bande.
Appuyez sur [RECORD] de la télécommande ou sur [RECORD] du panneau avant pour commencer l'enregistrement. Appuyez sur [STOP] de la télécommande ou sur [STOP] du panneau avant pour arrêter l'enregistrement.

Préparation de la source sonore à enregistrer (TUNER, CD ou AUX)
Voir page 14 pour TUNER, page 15 pour CD et page 16 pour AUX.

Pour commencer l'enregistrement
Appuyez sur [RECORD] de la télécommande ou sur [RECORD] du panneau avant. L'indicateur d'enregistrement s'allume. Appuyez sur [STOP] de la télécommande ou sur [STOP] du panneau avant pour arrêter l'enregistrement.

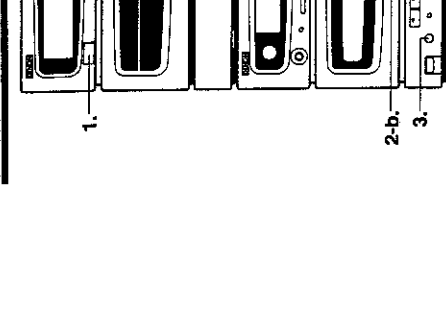
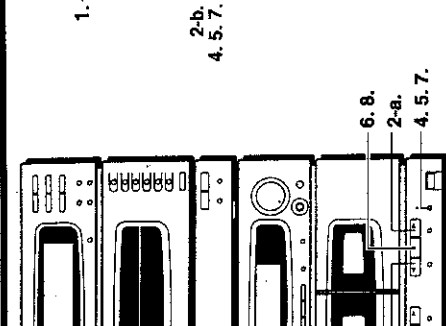
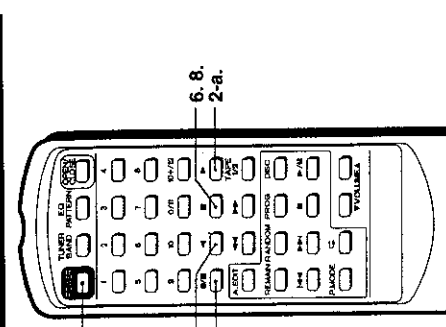
Appuyez sur [DOLBY NR] de la télécommande ou sur [DOLBY NR] du panneau avant pour sélectionner le niveau de réduction de bruit.

Préparation de la source sonore à enregistrer (TUNER, CD ou AUX)
Voir page 14 pour TUNER, page 15 pour CD et page 16 pour AUX.

Pour commencer l'enregistrement
Appuyez sur [RECORD] de la télécommande ou sur [RECORD] du panneau avant. L'indicateur d'enregistrement s'allume. Appuyez sur [STOP] de la télécommande ou sur [STOP] du panneau avant pour arrêter l'enregistrement.

ENREGISTREMENT D'UNE BANDE

RECORDING A TAPE



1. POWER

2-a. The side you want to record onto. Face sur laquelle enregistrer. Cara que desea grabar.

2-b. SHK-A Face A

3. DOLBY NR ON/OFF

4. RECORD

5. RECORD

6. RECORD

7. RECORD

8. RECORD

9. RECORD

10. RECORD

11. RECORD

12. RECORD

13. RECORD

14. RECORD

15. RECORD

16. RECORD

17. RECORD

18. RECORD

19. RECORD

20. RECORD

21. RECORD

22. RECORD

23. RECORD

24. RECORD

25. RECORD

26. RECORD

27. RECORD

28. RECORD

29. RECORD

30. RECORD

31. RECORD

32. RECORD

33. RECORD

34. RECORD

35. RECORD

36. RECORD

37. RECORD

38. RECORD

39. RECORD

40. RECORD

41. RECORD

42. RECORD

43. RECORD

44. RECORD

45. RECORD

46. RECORD

47. RECORD

48. RECORD

49. RECORD

50. RECORD

51. RECORD

52. RECORD

53. RECORD

54. RECORD

55. RECORD

56. RECORD

57. RECORD

58. RECORD

59. RECORD

60. RECORD

61. RECORD

62. RECORD

63. RECORD

64. RECORD

65. RECORD

66. RECORD

67. RECORD

68. RECORD

69. RECORD

70. RECORD

71. RECORD

72. RECORD

73. RECORD

74. RECORD

75. RECORD

76. RECORD

77. RECORD

78. RECORD

79. RECORD

80. RECORD

81. RECORD

82. RECORD

83. RECORD

84. RECORD

85. RECORD

86. RECORD

87. RECORD

88. RECORD

89. RECORD

90. RECORD

91. RECORD

92. RECORD

93. RECORD

94. RECORD

95. RECORD

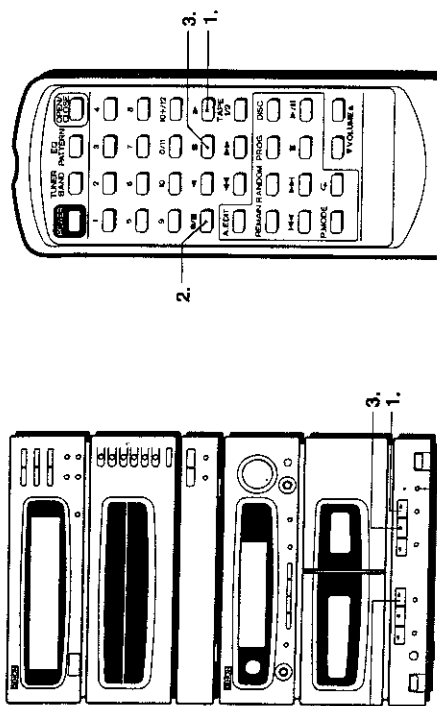
96. RECORD

97. RECORD

98. RECORD

99. RECORD

100. RECORD



Loading tapes

1. Select the forward play (▶) "both for TAPE 1 and TAPE 2. Then load a source tape in Side A and a blank tape in TAPE 2, with Side A facing forward to you.

To start dubbing

2. Press [REVERSE] on the remote control or standby recording. Then the recording indicator (●) blinks and you can begin again to start recording.

To stop dubbing

3. With the TAPE 1/2 selector in "1" position, press the tape stop button [] on the remote control or the TAPE 2 stop button on the front panel.

NOTES about stop mode during dubbing:

- When pressing the stop button [] with the TAPE 1/2 selector in "1" position, both TAPE 1 and TAPE 2 stop dubbing.
- When pressing the stop button [] with the TAPE 1/2 selector in "2" position, TAPE 1 stops immediately. But TAPE 2 stops after inserting a 4-second unrecorded interval and the REVERSE indicator on the front panel blinks slowly in this period. Then TAPE 2 will be in the recording standby mode with the indicator blinking rapidly. To cancel the recording standby status, press the tape stop button [] on the remote control or on the front panel.
- When TAPE 2 stops automatically at the end of the tape, TAPE 1 also stops immediately.

NOTE about the DOLBY Noise Reduction system when dubbing:

- The DOLBY NR button is effective only to the playback sound through the monitor (speakers or headphones) while dubbing. If the source tape in TAPE 1 has been recorded with DOLBY NR ON (or OFF), then the tape in TAPE 2 will be duplicated with DOLBY NR ON (or OFF). When you want to listen to the playback sound while dubbing, set the switch to ON or OFF, matching to the source tape loaded in the TAPE 1.

NOTES about dubbing:

- Due to the auto reverse function of the tape deck, the deck duplicate both sides of a tape automatically. If there is an important recorded data on another side of a tape, we recommend you take other preventive measures of that side to prevent from erasing the data.
- We recommend you use a blank tape with the same length as the source tape for safe dubbing.

This equipment should not be used for duplicating copyright tapes or breach of copyright. Copyright subsists in most pre-recorded tapes.

Carga de casetes

1. Seleccione la reproducción de la cartrófono ▶ de TAPE 1 y TAPE 2. Después cargue el casete fuente en TAPE 1 y un casete en blanco en TAPE 2 colocándolo el Cara A hacia usted.

Para iniciar la duplicación

2. Presione el botón [REVERSE] del panel delantero para poner la grabación en un modo de reserva. Luego, el indicador de grabación (●) parpadeará. Presione de nuevo el mismo botón para comenzar a grabar.

Para cesar la duplicación

3. Con el selector TAPE 1/2 en la posición "1", presione el botón [] del controlador remoto o el botón de parada de cinta del panel delantero de TAPE 2.

NOTAS sobre el modo de parada durante la duplicación:

- Si presiona el botón [] con el selector TAPE 1/2 en la posición "1", cesará la duplicación de TAPE 1 a TAPE 2.
- Cuando presione el botón de parada [] con el selector TAPE 1/2 en la posición "2", TAPE 1 se detendrá inmediatamente. Sin embargo, TAPE 2 se detiene después de insertado un intervalo de 4 segundos sin grabar y el indicador REVERSE del panel delantero parpadeará lentamente en este modo de reserva de grabación con el indicador parpadearo aparcado. Para cancelar el modo de reserva, presione de nuevo el mismo botón [] de la unidad de control remoto o del panel delantero.
- Cuando el deck 2 se para automáticamente al finalizar la cinta, el deck 1 también se para inmediatamente.

NOTA sobre el sistema de reducción de ruido Dolby para la duplicación:

- El selector DOLBY NR solamente será efectivo para grabar sonido a través del monitor (altavoces o auriculares) durante la duplicación. Si la cinta fuente de TAPE 1 ha sido grabada con el ON o OFF, la cinta de TAPE 2 se duplicará, respectivamente, con el ON o OFF. Si desea escuchar el sonido de reproducción durante la duplicación, ponga el selector en ON o OFF, de acuerdo con la cinta fuente de TAPE 1.

NOTAS sobre la duplicación:

- Debido a la función de inversión automática de los decks, estos duplicarán automáticamente ambas caras de los casetes. Si hay datos importantes grabados en el otro lado de la cinta, recomendamos remover la lengüeta de seguridad de dicha cara a fin de evitar el borrado de tales datos.
- También, recomendamos emplear un casete vacío con cinta de la misma longitud que la de la fuente a fin de conseguir una duplicación segura.

Este equipo no deberá emplearse para duplicar cintas con el derecho de reproducción reservado, porque se violarían los derechos de autor. La mayoría de las cintas grabadas tienen reservado el derecho de reproducción.

Loading tapes

1. Select the forward play (▶) "both for TAPE 1 and TAPE 2. Then load a source tape in Side A and a blank tape in TAPE 2, with Side A facing forward to you.

To start dubbing

2. Press [REVERSE] on the remote control or standby recording. Then the recording indicator (●) blinks and you can begin again to start recording.

To stop dubbing

3. With the TAPE 1/2 selector in "1" position, press the tape stop button [] on the remote control or the TAPE 2 stop button on the front panel.

NOTES about stop mode during dubbing:

- When pressing the stop button [] with the TAPE 1/2 selector in "1" position, both TAPE 1 and TAPE 2 stop dubbing.
- When pressing the stop button [] with the TAPE 1/2 selector in "2" position, TAPE 1 stops immediately. But TAPE 2 stops after inserting a 4-second unrecorded interval and the REVERSE indicator on the front panel blinks slowly in this period. Then TAPE 2 will be in the recording standby mode with the indicator blinking rapidly. To cancel the recording standby status, press the tape stop button [] on the remote control or on the front panel.
- When TAPE 2 stops automatically at the end of the tape, TAPE 1 also stops immediately.

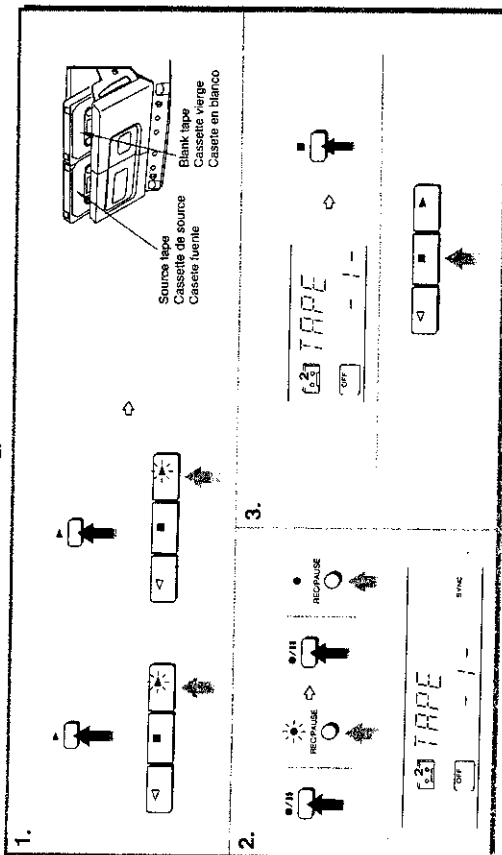
NOTE about the DOLBY Noise Reduction system when dubbing:

- The DOLBY NR button is effective only to the playback sound through the monitor (speakers or headphones) while dubbing. If the source tape in TAPE 1 has been recorded with DOLBY NR ON (or OFF), then the tape in TAPE 2 will be duplicated with DOLBY NR ON (or OFF). When you want to listen to the playback sound while dubbing, set the switch to ON or OFF, matching to the source tape loaded in the TAPE 1.

NOTES about dubbing:

- Due to the auto reverse function of the tape deck, the deck duplicate both sides of a tape automatically. If there is an important recorded data on another side of a tape, we recommend you take other preventive measures of that side to prevent from erasing the data.
- We recommend you use a blank tape with the same length as the source tape for safe dubbing.

This equipment should not be used for duplicating copyright tapes or breach of copyright. Copyright subsists in most pre-recorded tapes.



GRABACION DE DISCOS COMPACTOS CON EDICION AUTOMATICA

Esta función permite automáticamente las pistas del CD de acuerdo a la duración de la pista en sí. Y la función de supervisión insertará un espacio de 4 segundos sin grabar entre las canciones. Utilice el tiempo que precede por el tiempo de reproducción al grabar CDs.

Carga de un cassette en TAPE 2.
 Nota: Al utilizar el C-46, el transporte de la cinta a la izquierda del C-46 hacia la derecha.

Selección del disco deseado
 1. Presione repetidamente [DISC] del controlador remoto de la unidad de grabación de discos compactos.

Selección del tiempo de reproducción de la cinta
 1-a. Establezca el modo de reproducción de la cinta en modo de reproducción de su cinta para indicar en el visualizador. Por ejemplo, si usa una cinta de 60 minutos, seleccione C-60.

2. Continúe con la operación de grabación con el botón de la unidad de control remoto o el botón [STOP/CLEAR] del panel delantero de la unidad.

3. Presione veces el botón [H] de la unidad de control remoto o el botón [RECALL] del panel delantero de la unidad de grabación de discos compactos.

NOTA: El magnetómetro de cassettes borrará la información de la cinta cuando se inserte una cinta de grabación de discos compactos.

GRABACION CON EDICION CONTINUA

Use el botón de grabación de un disco en una cinta. Cuando la grabación con edición automática de cassettes se detiene, el indicador de edición continúa. Cuando se presiona el botón de edición automática, se graba la pista en la cinta.

5. Apoye repetidamente el botón [H] de la unidad de control remoto o el botón [RECALL] del panel delantero de la unidad de grabación de discos compactos.

NOTA: Ponga a cero los discos por otros nuevos cuando se graba una pista en una cinta.

6-a. Presione el botón [P] de la unidad de control remoto o el botón [OPEN/CLOSE] del panel delantero de la unidad de grabación de discos compactos.

NOTA: No es posible presionar el botón [H] de la unidad de control remoto o el botón [RECALL] del panel delantero de la unidad de grabación de discos compactos.

6-b. Cuando la que graba de la cinta no es suficiente para grabar una pista, el indicador de edición automática se detiene. En ese momento, presione el botón de edición automática de la unidad de grabación de discos compactos.

7. Presione el botón [H] de la unidad de control remoto o el botón [RECALL] del panel delantero de la unidad de grabación de discos compactos.

NOTA: El botón de edición automática de la unidad de grabación de discos compactos se detiene cuando se presiona el botón de edición automática de la unidad de grabación de discos compactos.

NOTA DIFERENTES A LA OPERACION DE GRABACION CON EDICION AUTOMATICA:
 Si un disco contiene más de 16 pistas, la función de grabación automática solo grabará las primeras 16 pistas.

ENREGISTREMENT A MONTAGE AUTOMATIQUE A PARTIR DE CD

Cette fonction assemble automatiquement les plages du disque compacté en fonction de sa durée. La fonction de supervision insérera un intervalle de 4 secondes entre les morceaux. Utilisez le temps qui précède par le temps de lecture pour enregistrer des disques compacts.

Chargement d'une cassette dans la platine 2.
 REMARQUE: À l'utilisation du C-46, le transport de la bande à l'arrière du C-46 vers l'avant.

Sélection du disque désiré
 1. Appuyez plusieurs fois sur [DISC] sur la télécommande ou sur le panneau avant de l'appareil.

Sélection du temps de lecture de la bande
 1-a. L'appareil étant en mode arrêt CD, appuyez répétitivement sur la touche [A. EDIT] de la télécommande ou sur le panneau avant de l'appareil.

2. Continuez avec l'opération de gravation en appuyant sur le bouton de la télécommande ou le bouton [STOP/CLEAR] du panneau avant.

3. Appuyez plusieurs fois sur le bouton [H] de la télécommande ou le bouton [RECALL] du panneau avant.

REMARQUE: Pour annuler l'enregistrement avec le montage automatique de la bande vers le bande cassette, appuyez sur le bouton de la télécommande ou le bouton [STOP/CLEAR] du panneau avant.

ENREGISTREMENT EN CONTINU

Utilisez le bouton de gravation d'un disque sur une bande cassette. Lorsque la gravation automatique de cassettes s'arrête, l'indicateur de gravation continue. Lorsque vous appuyez sur le bouton de gravation automatique, la piste est gravée sur la bande.

5. Appuyez plusieurs fois sur [DISC] de la télécommande ou le bouton [RECALL] du panneau avant.

NOTA: Poner a cero los discos por otros nuevos cuando se graba una pista en una cinta.

6-a. Presione el botón [P] de la unidad de control remoto o el botón [OPEN/CLOSE] del panel delantero de la unidad de grabación de discos compactos.

NOTA: No es posible presionar el botón [H] de la unidad de control remoto o el botón [RECALL] del panel delantero de la unidad de grabación de discos compactos.

6-b. Cuando la que graba de la cinta no es suficiente para grabar una pista, el indicador de edición automática se detiene. En ese momento, presione el botón de edición automática de la unidad de grabación de discos compactos.

7. Presione el botón [H] de la unidad de control remoto o el botón [RECALL] del panel delantero de la unidad de grabación de discos compactos.

NOTA: El botón de edición automática de la unidad de grabación de discos compactos se detiene cuando se presiona el botón de edición automática de la unidad de grabación de discos compactos.

NOTA DIFERENTES A LA OPERACION DE GRABACION CON EDICION AUTOMATICA:
 Si un disco contiene más de 16 pistas, la función de grabación automática solo grabará las primeras 16 pistas.

AUTO EDIT RECORDING FROM CDS

This function automatically arranges CD tracks to be recorded matching your tape length. And the auto spacing function inserts a 4-second unrecorded interval between songs. You do not have to worry about the PLAYING time when recording from CDs.

Loading a tape in TAPE 2
 NOTE: Set the tape running direction to "▶" with Side A facing forward.

Selecting the desired disc (DISC) on the remote
 1. Repeatedly press the [DISC] button on the remote control.

Selecting the playing time of your tape
 1-a. With the unit in CD stop mode, repeatedly press [A. EDIT] on the remote control to get the playing time of your tape on the display.

2. Continue with the operation of recording by pressing the number buttons of the remote control.

3. Press [H] (on the remote control) or [RECALL] (on the front panel) after recording.

NOTE: The unit will indicate the last track that has been recorded.

CONTINUOUS EDIT RECORDING

Use the record button to record one disc onto one tape.

5. When the last track of the disc has been recorded in the Auto Edit recording, both the CD player and tape deck indicators will appear on the display.

6-a. Press the [P] button on the remote control or the [OPEN/CLOSE] button on the front panel.

NOTE: You cannot replace discs with new ones by pressing the [A. OPEN/CLOSE] button. In this case, the unit automatically starts arranging tracks to arrange tracks to be recorded onto the remainder of the tape.

6-b. When the tape remaining is not enough for recording a track, the recording indicator will appear in the display. In this case, by a 4-second unrecorded interval between songs.

7. Press the [H] button on the remote control or the [RECALL] button on the front panel to cancel the recording.

NOTE ABOUT AUTO EDIT RECORDING:
 If a disc has more than 16 tracks, the Auto Edit recording function accepts only from the first track to 16th track.

ENREGISTREMENT A MONTAGE AUTOMATIQUE A PARTIR DE CD

Cette fonction assemble automatiquement les plages du disque compacté en fonction de sa durée. La fonction de supervision insérera un intervalle de 4 secondes entre les morceaux. Utilisez le temps qui précède par le temps de lecture pour enregistrer des disques compacts.

Chargement d'une cassette dans la platine 2.
 REMARQUE: À l'utilisation du C-46, le transport de la bande à l'arrière du C-46 vers l'avant.

Sélection du disque désiré
 1. Appuyez plusieurs fois sur [DISC] sur la télécommande ou sur le panneau avant de l'appareil.

Sélection du temps de lecture de la bande
 1-a. L'appareil étant en mode arrêt CD, appuyez répétitivement sur la touche [A. EDIT] de la télécommande ou sur le panneau avant de l'appareil.

2. Continuez avec l'opération de gravation en appuyant sur le bouton de la télécommande ou le bouton [STOP/CLEAR] du panneau avant.

3. Appuyez plusieurs fois sur le bouton [H] de la télécommande ou le bouton [RECALL] du panneau avant.

REMARQUE: Pour annuler l'enregistrement avec le montage automatique de la bande vers le bande cassette, appuyez sur le bouton de la télécommande ou le bouton [STOP/CLEAR] du panneau avant.

ENREGISTREMENT EN CONTINU

Utilisez le bouton de gravation d'un disque sur une bande cassette. Lorsque la gravation automatique de cassettes s'arrête, l'indicateur de gravation continue. Lorsque vous appuyez sur le bouton de gravation automatique, la piste est gravée sur la bande.

5. Appuyez plusieurs fois sur [DISC] de la télécommande ou le bouton [RECALL] du panneau avant.

NOTA: Poner a cero los discos por otros nuevos cuando se graba una pista en una cinta.

6-a. Presione el botón [P] de la unidad de control remoto o el botón [OPEN/CLOSE] del panel delantero de la unidad de grabación de discos compactos.

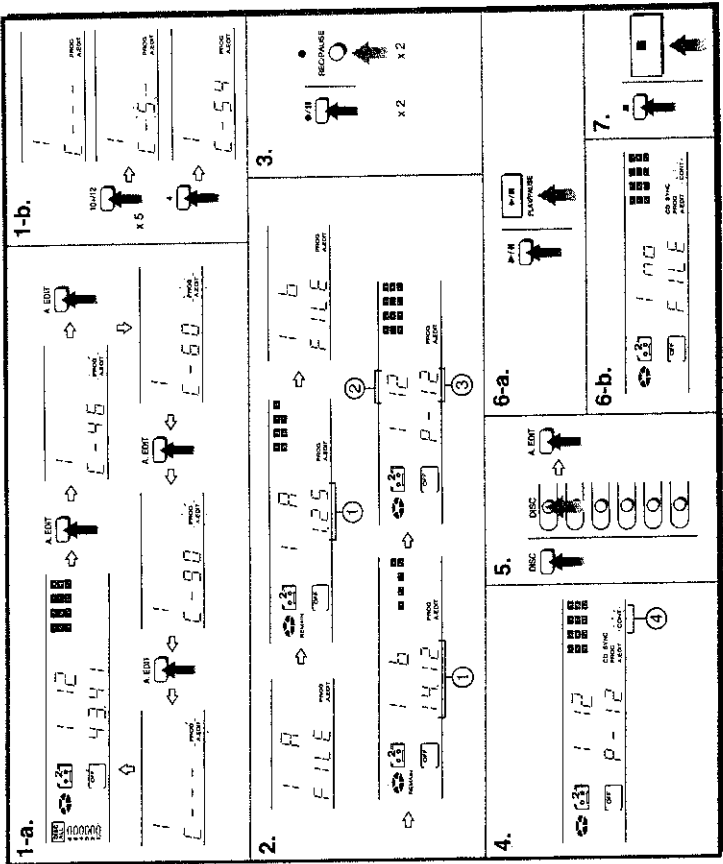
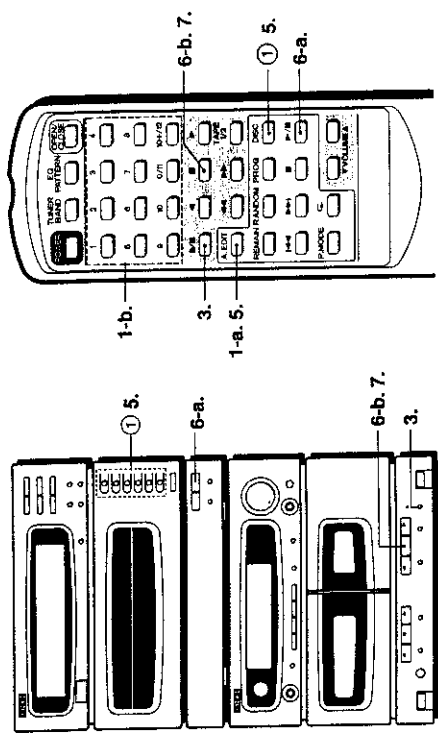
NOTA: No es posible presionar el botón [H] de la unidad de control remoto o el botón [RECALL] del panel delantero de la unidad de grabación de discos compactos.

6-b. Cuando la que graba de la cinta no es suficiente para grabar una pista, el indicador de edición automática se detiene. En ese momento, presione el botón de edición automática de la unidad de grabación de discos compactos.

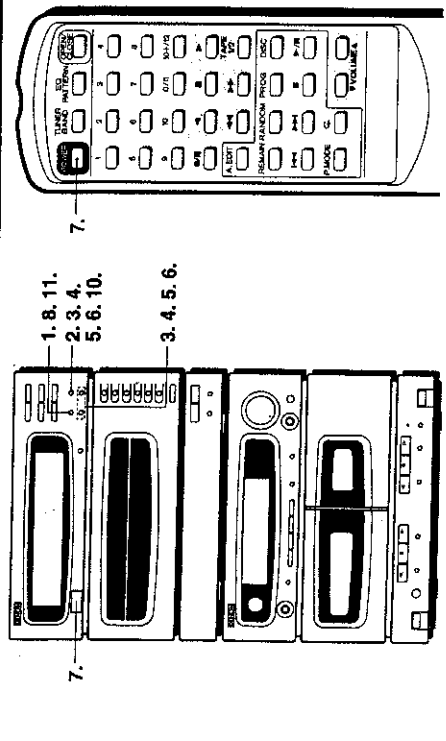
7. Presione el botón [H] de la unidad de control remoto o el botón [RECALL] del panel delantero de la unidad de grabación de discos compactos.

NOTA: El botón de edición automática de la unidad de grabación de discos compactos se detiene cuando se presiona el botón de edición automática de la unidad de grabación de discos compactos.

NOTA DIFERENTES A LA OPERACION DE GRABACION CON EDICION AUTOMATICA:
 Si un disco contiene más de 16 pistas, la función de grabación automática solo grabará las primeras 16 pistas.



PROGRAMMABLE TIMER / **MINUTERIE PROGRAMMABLE** / **TEMPORIZADOR PROGRAMMABLE**



- 1. 8, 11.
- 2. 3, 4.
- 3. 4, 5, 6.
- 4. 5, 6, 10.

PROGRAMMABLE TIMER

The programmable timer turns on and off your desired sound source at your desired time. It also can start recording from a radio broadcast at your desired time.

NOTE: Set the clock first, referring to SETTING THE CLOCK (on page 12). The timer does not function unless the clock is set.

TIMER PLAY

- Selecting the desired sound source (CD, TAPE or TUNER)
- For TUNER-play: Remove the disc from the cassette deck. Insert a cassette tape from the CD player and the cassette tape from TAPE CD player.
- For TAPE-play: Remove the disc from the CD player.
- For CD-play: Insert a disc in the CD player.

Selecting the Timer-Play mode

1. Press [TIMER MODE] on the front panel so that [] appears in the display.
2. Press [CLOCK] on the front panel to set the time. The [TIMER] and [T-ON] appears for 5 seconds in the display.

Setting the time to turn on

3. In that position, press [SET +] or [SET -] repeatedly or continuously on the front panel to get the desired hour. Then press [CLOCK/TIMER/SLEEP].
4. Press [SET +] or [SET -] repeatedly or continuously on the front panel to get the desired hour. Then press [CLOCK/TIMER/SLEEP].

Setting the time to turn off

5. Press [SET +] or [SET -] repeatedly or continuously on the front panel to get the desired hour. Then press [CLOCK/TIMER/SLEEP].
6. Press [SET +] or [SET -] repeatedly or continuously on the front panel to get the desired minutes. Then press [CLOCK/TIMER/SLEEP].

NOTES:

- Set the volume control to the desired level.
- The tape deck always starts in the Forward Play under timer-play.

TIMER-REX-OPING

- NOTES:**
1. To tune to the desired radio station.
 2. Recording always starts in the Forward Play when the timer is set.
 3. Press [TIMER MODE] on the front panel so that [] appears in the display.
 4. Follow the same operation steps 2, 7.
 5. To review the timer settings
 6. Press [CLOCK/TIMER/SLEEP] twice on the front panel. Then the ON-time and OFF-time appear respectively for 2 seconds in the display.

To cancel the timer mode

1. Press [] appears in the display.
2. Press [] appears in the display.

NOTES:

- When you enter the same settings of the timer function on and off, the timer function is also cancelled.
- Once you have set the timer, it functions everyday at the same time. Set the timer off when the timer function is not necessary.

MINUTERIE PROGRAMMABLE

La minuterie programmable enciende y apaga el sonido deseado a la hora especificada. También puede iniciar la grabación de un programa de radio a la hora deseada.

REMARK: Réglez d'abord l'horloge en se référant à la section REGLAGE D'HORLOGE (à la page 12). La minuterie ne fonctionne pas sans l'horloge est réglée.

LECTURE PROGRAMME PAR MINUTERIE

- Sélection de la source sonore désirée (CD, PLATINE CASSETTE ou RADIO)
- Pour lecture de tuner: Retirer le disque et les cassettes des platines 1 et 2.
- Pour lecture de platine 2: Retirer le disque et la cassette de la platine 2.
- Pour lecture de platine 1: Retirer le disque.
- Pour lecture de CD: Insérer un disque dans le lecteur CD.

Sélection de mode de lecture programmée par minuterie

1. Appuyer sur la touche [TIMER MODE] du panneau avant. Ecran: [] apparaît pendant 5 secondes.
2. Appuyer de nouveau sur la touche [CLOCK/TIMER/SLEEP] du panneau avant. Ecran: [TIMER] et [T-ON] apparaît pendant 5 secondes sur l'affichage.

Régulation de l'heure de démarrage

3. Appuyer plusieurs fois sur [SET +] ou [SET -] du panneau avant ou tenir une des touches [SET +] ou [SET -] pendant quelques secondes pour obtenir l'heure souhaitée. Ecran: [] apparaît pendant 5 secondes sur l'affichage.
4. Appuyer plusieurs fois sur [SET +] ou [SET -] du panneau avant ou tenir une des touches [SET +] ou [SET -] pendant quelques secondes pour obtenir l'heure souhaitée. Ecran: [] apparaît pendant 5 secondes sur l'affichage.

Régulation de l'heure d'arrêt

5. Appuyer plusieurs fois sur [SET +] ou [SET -] du panneau avant ou tenir une des touches [SET +] ou [SET -] pendant quelques secondes pour obtenir l'heure souhaitée. Ecran: [] apparaît pendant 5 secondes sur l'affichage.
6. Appuyer plusieurs fois sur [SET +] ou [SET -] du panneau avant ou tenir une des touches [SET +] ou [SET -] pendant quelques secondes pour obtenir l'heure souhaitée. Ecran: [] apparaît pendant 5 secondes sur l'affichage.

REMARKS:

- Réglez le commande de volume au niveau désiré.
- La platine cassette commence toujours la lecture normale pendant la lecture programmée par minuterie.

ENREGISTREMENT PROGRAMME PAR MINUTERIE

- REMARKS:**
1. Synchroniser la station désirée.
 2. L'enregistrement commence dans le sens normal lorsqu'il est programmé par minuterie.
 3. Appuyer de nouveau sur la touche [TIMER MODE] du panneau avant. Ecran: [] apparaît sur l'affichage pendant 2 secondes.
 4. Suivre les mêmes opérations sur points 2, 7.
 5. Appuyer de nouveau sur [] apparaît sur l'affichage pendant 2 secondes.
 6. Appuyer de nouveau sur [] apparaît sur l'affichage pendant 2 secondes.
 7. Appuyer de nouveau sur [] apparaît sur l'affichage pendant 2 secondes.

To cancel the timer mode

1. Press [] appears in the display.
2. Press [] appears in the display.

NOTES:

- L'enregistrement commence dans le sens normal lorsqu'il est programmé par minuterie.
- Réglez le volume à l'avance.
- Appuyer de nouveau sur la touche [TIMER MODE] du panneau avant. Ecran: [] apparaît sur l'affichage pendant 2 secondes.
- Suivre les mêmes opérations sur points 2, 7.
- Appuyer de nouveau sur [] apparaît sur l'affichage pendant 2 secondes.
- Appuyer de nouveau sur [] apparaît sur l'affichage pendant 2 secondes.
- Appuyer de nouveau sur [] apparaît sur l'affichage pendant 2 secondes.

TEMPORIZADOR PROGRAMMABLE

El temporizador programable enciende y desactiva la fuente de sonido deseada a una hora predefinida. También puede usarse para iniciar la grabación de un programa de radio a la hora deseada.

NOTA: Situar el reloj primero al reloj. El temporizador no funcionará si el reloj no ha sido ajustado.

REPRODUCCION CONTROLADA POR TEMPORIZADOR

- Sélección de la fuente de sonido deseada (CD, PLATINA CASSETTE o TUNER)
- Para la lectura de tuner: Retirar el disco y las cassettes de las unidades 1 y 2.
- Para la lectura de la unidad 2: Retirar el disco y la cassette de la unidad 2.
- Para la lectura de la unidad 1: Retirar el disco.
- Para la lectura de CD: Insertar un disco en el lector de CD.

Sélección de modo de reproducción controlada por temporizador

1. Presione [TIMER MODE] de forma que en el visulizador aparezca [].
2. Presione repetidamente [CLOCK/TIMER/SLEEP] del panel frontal para ajustar la hora deseada. Después presione [CLOCK/TIMER/SLEEP].
3. Presione repetidamente [SET +] o [SET -] del panel frontal para ajustar la hora deseada. Después presione [CLOCK/TIMER/SLEEP].
4. Presione repetidamente [SET +] o [SET -] del panel frontal para ajustar la hora deseada. Después presione [CLOCK/TIMER/SLEEP].
5. Presione repetidamente [SET +] o [SET -] del panel frontal para ajustar la hora deseada. Después presione [CLOCK/TIMER/SLEEP].
6. Presione repetidamente [SET +] o [SET -] del panel frontal para ajustar la hora deseada. Después presione [CLOCK/TIMER/SLEEP].
7. Presione repetidamente [SET +] o [SET -] del panel frontal para ajustar la hora deseada. Después presione [CLOCK/TIMER/SLEEP].

NOTAS:

- Ajuste el control de volumen a un nivel deseado.
- La unidad de cassettes comienza siempre la reproducción en modo de avance.
- Después de haber programado el temporizador, siempre indicará la reproducción en modo de avance.

GRABACION CONTROLADA POR TEMPORIZADOR

- NOTAS:**
1. Sintonice la estación de radio deseada.
 2. En el modo de grabación controlada por temporizador, el equipo siempre comienza en dirección de avance.
 3. Presione [TIMER MODE] de forma que en el visulizador aparezca [].
 4. Repita los pasos 2 a 7.
 5. Verifique los ajustes del temporizador.
 6. Presione repetidamente [CLOCK/TIMER/SLEEP] del panel frontal para ajustar la hora deseada. Después presione [CLOCK/TIMER/SLEEP].
 7. Presione repetidamente [SET +] o [SET -] del panel frontal para ajustar la hora deseada. Después presione [CLOCK/TIMER/SLEEP].
 8. Presione repetidamente [SET +] o [SET -] del panel frontal para ajustar la hora deseada. Después presione [CLOCK/TIMER/SLEEP].
 9. Presione repetidamente [SET +] o [SET -] del panel frontal para ajustar la hora deseada. Después presione [CLOCK/TIMER/SLEEP].
 10. Presione repetidamente [SET +] o [SET -] del panel frontal para ajustar la hora deseada. Después presione [CLOCK/TIMER/SLEEP].
 11. Presione repetidamente el botón [TIMER] del panel frontal para cancelar la programación del visulizador.

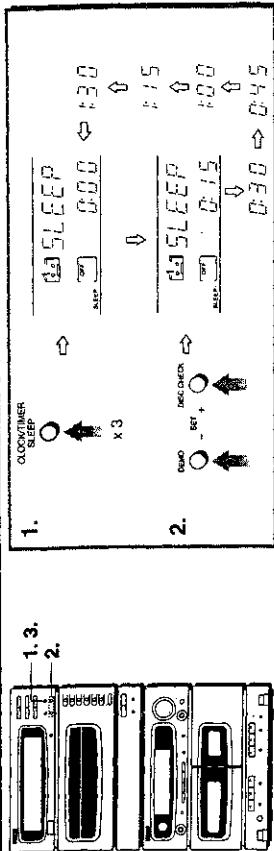
NOTAS:

- La operación de reproducción/grabación controlada por temporizador sólo se activará si el equipo se encuentra en modo de espera.
- Si usted ingresa la misma hora de activación y de desactivación, la función de temporizador será cancelada.
- Una vez que haya programado el temporizador, ésta se activará cada día a la misma hora. Desactive el temporizador cuando no vaya a realizar ninguna operación controlada por temporizador.

TEMPORIZADOR DE DESACTIVACION AUTOMATICA

MINUTERIE DE SOMMEIL

SLEEP TIMER



You can turn off the set automatically.

1. With the sound system in power on status, press [CLOCK/TIMER/SLEEP] three times to get "SLEEP" in the display. Then the sleep timer indicator "SLEEP" blinks in the display.
2. Press repeatedly [SET+] or [SET-] until you get the desired time to turn off the sound system.
3. To reset the remaining time, press [CLOCK/TIMER/SLEEP] three times.
4. To reset the sleep timer, repeat the operation steps 1-4 of the sleep timer, reset the operation time to 0:00 by following the operation steps 1-2. Then the indicator will disappear in 5 seconds.
5. NOTE: The sleep timer is not available during timer play/mer-recording.

MINUTERIE DE SOMMEIL

L'appareil peut être éteint automatiquement avec la minuterie de sommeil.

1. La chaîne étant sous tension, appuyer trois fois sur la touche [CLOCK/TIMER/SLEEP] pour faire apparaître "SLEEP" sur l'affichage. Ensuite, l'indicateur de minuterie de sommeil "SLEEP" clignote.
 2. Appuyer plusieurs fois sur la touche [SET+] or [SET-] jusqu'à obtenir le moment de la mise en SLEEP.
 3. Appuyer trois fois sur la touche [CLOCK/TIMER/SLEEP].
 4. Réajuster les étapes 1-2.
 5. Remettre la minuterie de sommeil à 0:00 en suivant les étapes 1-2. L'indicateur disparaît en 5 secondes.
- REMARQUE: la minuterie de sommeil ne fonctionne pas pendant la lecture/enregistrement programmé par minuterie.

TEMPORIZADOR DE DESACTIVACION AUTOMATICA

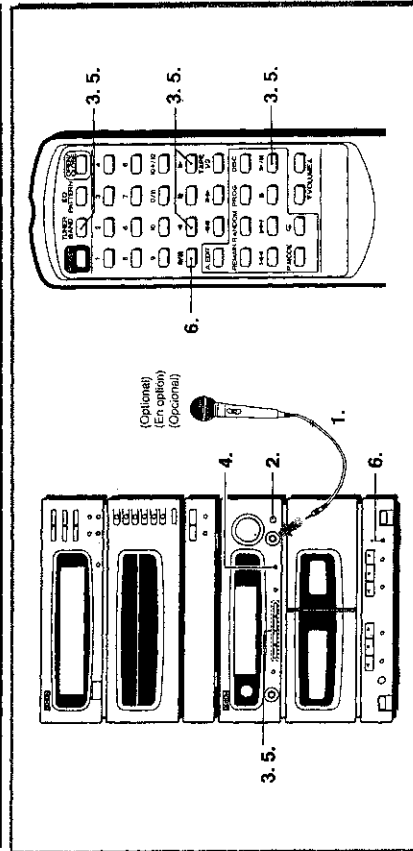
Usted podrá esta función para hacer que el equipo se apague automáticamente.

1. Con la alimentación del sistema de audio en funcionamiento, presionar tres veces [CLOCK/TIMER/SLEEP] para que en el visualizador aparezca "SLEEP". Después en el visualizador parpadeará el indicador de desactivación automática "SLEEP".
 2. Presionar repetidamente [SET+] o [SET-] para ajustar el tiempo deseado.
 3. Para ver el tiempo restante, presione tres veces [CLOCK/TIMER/SLEEP].
 4. Para reajustar el cronodisconector, repita los pasos 1 y 2.
 5. Para restablecer el cronodisconector, así como a 0:00, presione los espacios 1 y 2. El indicador desaparecerá en 5 segundos.
- NOTA: El cronodisconector no podrá utilizarse durante la reproducción/grabación controlada mediante el temporizador.

MIXING MICROPHONE

MICROPHONE DE MIXAGE

MICROFONO DE MEZCLA



Mixing Play

1. Insert the Microphone plug into the MIC jack on the front panel.
 2. Adjust the MIC LEVEL control.
 3. Prepare the sound source to be mixed.
 4. Press [MIX] to start mixing.
 5. REMARK: Unbuttoning the microphone will stop the mixing.
- NOTE: Mixing occurs when the microphone is brought too near to the speaker. Move the microphone away from the speaker or turn down the VOLUME control or MIC LEVEL control if howling occurs.

KARAOKE Function

- The KARAOKE function reduces the sound level of middle and high range sounds. Since a singer's voice falls within the frequency range, the KARAOKE function can be used to reduce the sound level of the singer's voice.
- KARAOKE function can be used to reduce the sound level of the instrumental parts within the KARAOKE function's range. The sound levels will be similarly reduced.
- For some sources such as vocal with echo effect, chorus, live music, etc., KARAOKE function may not work properly.
- 4. Press [KARAOKE] ON/OFF on the front panel to turn [KARAOKE] ON. To turn [KARAOKE] OFF, release the same button.

- Mixing Recording
1. Prepare the sound source to be mixed (TUNER, TAPE, CD or AUX).
 2. Press [MIX] to start mixing.
 3. Press [RECORDING] to start recording.
 4. Press [PAUSE] to stop recording.
 5. Press [STOP] to stop recording.
 6. To start mixing recording, press [MIX] on the front panel. (Refer to RECORDING A-TAPE on page 26 for recording operation.)

MIXING MICROPHONE DE MIXAGE

MICROFONO DE MEZCLA

Reproducción con mezcla

1. Inserte la clavija del micrófono en el conector MIC ubicado en el panel delantero de la unidad.
2. Ajuste el control MIC LEVEL.
3. Prepare la fuente de sonido a ser mezclada (TUNER, TAPE, CD o AUX).
4. Presione [MIX] para comenzar la mezcla.
5. Presione [MIX] para detener la mezcla.

NOTA: Cuando el micrófono sea situado demasiado cerca del altavoz, se producirá un efecto de cómoling. Mueva el micrófono lejos del altavoz o disminuya el nivel de VOLUME o MIC LEVEL.

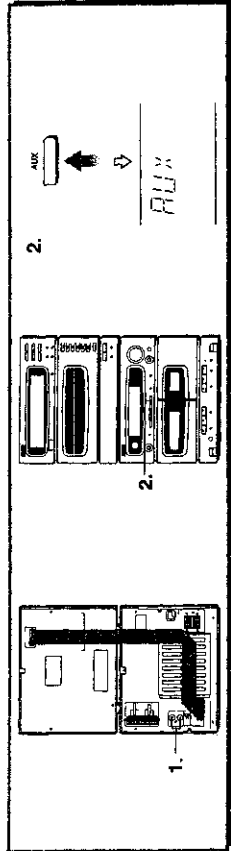
Función de KARAOKE

- La función KARAOKE reduce el nivel acústico de los sonidos de las gamas intermedias y altas. Puesto que la voz del cantor se pone entre los límites de la gama efectiva, la función KARAOKE permite cantar por las voces.
- La función KARAOKE puede utilizarse para reducir el nivel de los instrumentos que se ponen entre los límites de la gama de la función KARAOKE. Los niveles de sonido se reducirán de la misma manera.
- Para algunas fuentes como voces con efecto de eco, coro, música en vivo, etc., la función KARAOKE no actúa apropiadamente.
- 4. Presione [KARAOKE] ON/OFF en el panel delantero para activar esta función. Para desactivarla [KARAOKE] OFF, presione el mismo botón.

- Grabación con mezcla
1. Prepare la fuente de sonido deseada para la mezcla (TUNER, TAPE, CD o AUX).
 2. Presione [MIX] para comenzar la mezcla.
 3. Presione [RECORDING] para comenzar la grabación con mezcla.
 4. Presione [PAUSE] para detener la grabación con mezcla.
 5. Presione [STOP] para detener la grabación con mezcla.
 6. Para iniciar la operación de grabación con mezcla, presione los botones [MIX] y [RECORDING] en el panel delantero de la unidad. (Para mayores detalles, consulte la sección "GRABACION DE CINTAS" en la página 26.)

LISTENING TO AN EXTERNAL SOUND UNIT

PARA ESCUCHAR UNA FUENTE DE SONIDO EXTERNA



Listening to an external sound unit

1. Connect the output terminals of additional equipment e.g. DAT, VCR to the AUX jack. If it is desired to connect a unit with the remote control, the remote control can be connected to the "AUX" jack. Turntables without orientation will not work with this unit.
2. Press [AUX] on the front panel and then operate the external sound unit.

LISTENING TO AN EXTERNAL SOUND UNIT

PARA ESCUCHAR UNA FUENTE DE SONIDO EXTERNA

- Pour écouter un appareil audio externe
1. Brancher les bornes de sortie de l'équipement supplémentaire, par exemple, DAT, VCR à la borne "AUX". Si des équipements dotés d'un télécommande sont branchés à l'appareil, le télécommande peut être branché sur la prise "AUX". Les tourne-disques sans orientation de la fonction de lecture ne pourront être utilisés avec ce modèle.
 2. Appuyer sur la touche [AUX] sur le panneau avant, puis mettre l'appareil externe en marche.

PARA ESCUCHAR UNA FUENTE DE SONIDO EXTERNA

- Para escuchar una fuente de sonido externa
1. Conecte los terminales de salida del equipo adicional, por ejemplo, DAT, VCR a la borne "AUX". Si se desea conectar un equipo con un telemando, el telemando puede conectarse a la toma "AUX". Si los giratores no están orientados a esta función, no podrá utilizarse con esta unidad.
 2. Presione el botón [AUX] del panel frontal y después ponga en reproducción la unidad fuente de sonido externa.

DEPISTAGE DES PANNES

Problèmes	Symptôme	Points de vérification (Cause)
Pes d'alimentation	Pes d'alimentation courant secteur	<ul style="list-style-type: none"> Le câble est-il bien branché?
Opérations générales	L'appareil fonctionne incoûrrectement même si les touches de fonctionnement appropriées sont enfoncées. L'affichage indique des messages erronés qui ne sont pas expliqués dans le mode d'emploi, sous tension, l'appareil indique "Err" sur l'affichage et le plateau CD s'ouvre.	<ul style="list-style-type: none"> Débrancher le cordon d'alimentation, puis le rebrancher après extinction de l'alimentation. Recommencer la même opération. Répéter ces étapes jusqu'à ce que l'appareil fonctionne normalement. Appuyer sur [OPEN/CLOSE] de la télécommande ou du panneau avant pour refermer le plateau CD.
Opérations cassette	La cassette ne peut pas être insérée.	<ul style="list-style-type: none"> S'assurer que la cassette est correctement insérée dans le réceptacle à cassette. Les segments de prévention contre l'effacement accidentel sont peut être bloqués. Dans ce cas, recouvrir les cratères d'un morceau de ruban adhésif. Nettoyer les têtes, le capstan et le rouleau presseur avec un coton-tige.
Palatine cassette	Pas d'enregistrement. Le son est déformé ou la vitesse de bande est irrégulière.	<ul style="list-style-type: none"> Le disque compact est-il placé à l'envers? Le disque compact en place est-il déformé ou rayé? Le disque compact est-il rayé ou a-t-il autre défaut? Le disque compact en place est-il sale? Appuyer d'abord sur la touche d'arrêt/défilement et commander une nouvelle fois la lecture du disque compact.
Lecteur CD	Le lecteur ne fonctionne pas correctement, le son est déformé par sautements, le bruit est élevé et la sélection de piste est impossible à effectuer. Le lecteur ne fonctionne pas correctement quand les touches de commande sont actionnées.	

TROUBLESHOOTING

Problems	Symptom	Check Points (Cause)
No AC power		<ul style="list-style-type: none"> Is the power cord connected properly?
General Operations	The set functions incorrectly even though you pressed the proper operational buttons. The display has irregular indications about which the operating guide does not explain. After pushing in and turning the main power on, the set shows "Err" on the display and the CD tray opens.	<ul style="list-style-type: none"> Unplug the power cord first. Then plug the power cord after the display have been cleared. And then rely the same operation. In this case, the clock settings and the preset station memories are cleared. Reset them again. Press [OPEN/CLOSE] on the remote control or on the front panel to close the CD tray.
Cassette Deck	Cassette cannot be inserted. No recording. Distorted sound or irregular tape speed.	<ul style="list-style-type: none"> Make sure that the cassette tape is inserted properly in the cassette holder. Are the accidental erasure prevention tabs punched out? If so, cover the prevention tabs with a piece of tape. Clean head, capstan and pressure roller with a cleaning stick.
CD Player	Disc is not played. Player does not operate correctly; sound is interrupted, noise occurs and tracks cannot be selected. Player does not operate normally when control buttons are pressed.	<ul style="list-style-type: none"> Is disc loaded upside down? Is disc scratched or warped? Is disc scratched or otherwise flawed? Is disc soiled? First press the Stop/Clear button then perform play disc again.

FICHE TECHNIQUE

<p>Section tuner Système de circuit : Plage d'accord : Sensibilité IEC : (S/N 20 dB) Section platine-cassette Système de piste : d'enregistrement : Système d'alimentation : Bande :</p>	<p>2 gammes FM/AM FM : 87.9 à 107.9 MHz (palier 200 kHz) AM : 530 à 1710 kHz (palier 10 kHz) FM : 1.5 µV/75 ohms AM : 1400 µV/m (antenne cadre) 4 pistes, 2 canaux Polarisation secteur Enlacement secteur Platine 1: Lecture Cassette Normal/Ox/Métal (lecture uniquement) Bande normale : 40 à 15,000 Hz CrO2 : 40 à 16,000 Hz</p>
<p>Section haut-parleurs Système : Bass réflex : Haut-parleurs : Impédance : Puissance d'entrée max. : Dimensions : Poids :</p>	<p>Système d'enceintes bass réflex 3 voies Bass réflex : 14 cm x 1,5 cm x 1,2 cm x 1 6 ohms 50 W (signal de crête musicale) USC-C30 : 175 (L) x 350 (H) x 205 (P) mm 2,9 kg/unité</p>
<p>Section amplificateur Sensibilité* : Impédance d'entrée : Impédance de sortie : Sortie audio :</p>	<p>MIC : 3 mV (10 kohms) AUX : 400 mV (27 kohms) Basses (12 ohms) Basses de haut-parleurs externes Impédance adéquate : 6 à 16 ohms Casque Impédance adéquate : 6 à 100 ohms 37 W + 37 W (6 ohms, DHT 1%)</p>
<p>Section matricie Système : Format d'affichage : Précision :</p>	<p>Horloge numérique à quartz Système : Cycle de 12 heures Décalage inférieur à 60 secondes par mois</p>
<p>Section lecteur CD Nombre de canaux : Réponse de fréquence : Précision de la piste : Longueur d'onde : Puissance du laser : Inférieure à 175 µW (IEC Pub 825) Inférieure à 48.5 µW (FDA CFR21)</p>	<p>2 20 à 20,000 Hz 12 ou 8 cm de diamètre 785 nm 80 W UTC-M-C30 : 225 (L) x 175 (H) x 317 (D) mm UPR-C30 : 25 (H) x 366 (P) mm UPR-C30 : 3,3 kg UPR-C30 : 5,8 kg</p>
<p>Données générales Alimentation : Consommation : Dimensions : Poids :</p>	<p>Secteur 120 V, 60 Hz 80 W UTC-M-C30 : 225 (L) x 175 (H) x 317 (D) mm UPR-C30 : 25 (H) x 366 (P) mm UPR-C30 : 3,3 kg UPR-C30 : 5,8 kg</p>
<p>Accessoires</p>	<p>1 Antenne cadre AM : 1 Télécommande (RC-194) : 1 Piles "AA" (IEC R6) à éléments sèches : 2 1 Carte de garantie : 1</p>

Les spécifications sont sujettes à modifications sans préavis pour des raisons d'amélioration. Mesuré conformément aux règlements commerciaux de la Commission Commerciale Fédérale au sujet de l'alimentation des amplificateurs.

AVIS: CET APPAREIL NUMERIQUE N'EXCEDE PAS LIMITE DE CLASSE "B" SUR LES BRUITS RADIOELECTRIQUES PROVENANT DES APPAREILS NUMERIQUES TEL QUE STIPULE DANS LE REGLEMENT SUR LE BRUILLAGE RADIOELECTRIQUE EMISS PAR LE MINISTERE DES COMMUNICATIONS CANADIENNE.

SPECIFICATIONS

<p>Tuner Section Circuit system : Tuning range : IEC sensitivity : (S/N 20 dB)</p>	<p>2 20 to 20,000 Hz 12 cm/8 cm 1.5 µV/75 ohms 1400 µV/m (loop antenna) Less than 48.5 µW (IEC Pub 825) Less than 48.5 µW (FDA CFR 21)</p>
<p>General Specifications Power supply : Power consumption : Dimensions : Weight :</p>	<p>AC 120 V, 60 Hz 80 W UTC-M-C30 : 225 (L) x 175 (H) x 317 (D) mm UPR-C30 : 25 (H) x 366 (D) mm UPR-C30 : 3.3 kg UPR-C30 : 5.8 kg</p>
<p>Speaker Section System : Speakers : Impedance : Maximum Input Power : Dimensions : Weight :</p>	<p>3-way bass reflex speaker system 14 cm x 1.5 cm x 1.2 cm x 1 6 ohms 50 W (musical peak signal) USC-C30 : 175 (W) x 350 (H) x 205 (D) mm 2.9 kg/piece</p>
<p>Accessories</p>	<p>1 AM loop antenna : 1 FM motor antenna : 1 Remote control (RC-194) : 1 Size "AA" (IEC R6) Dry Cell Batteries : 2 1 Instruction Manual : 1 Warranty Card : 1</p>

Changes in specifications are for better performance and may be brought about without our giving prior notice. Measured pursuant to the Federal Trade Commission's Trade Regulation Rule on Power Claims for Amplifiers.

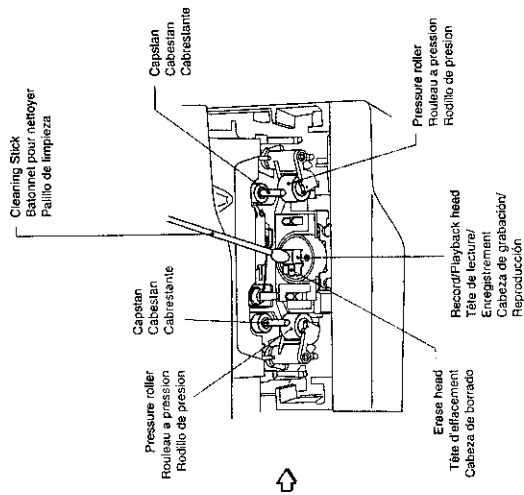
NOTICE: THIS DIGITAL APPARATUS DOES NOT EXCEED CLASS B LIMITS FOR RADIO NOISE EMISSION FOR A DIGITAL APPARATUS AS SET OUT IN THE RADIO INTERFERENCE REGULATIONS OF THE CANADIAN DEPARTMENT OF COMMUNICATIONS.

MANTENIMIENTO

ENTRETIEN

MANTENANCE

FOR CASSETTE DECK HEAD
POUR TETE DE PLATINE-CASSETTE
PARA LA CABEZA REPRODUCTORA DE CASSETES



ANTES DE SOLICITAR REPARACIONES

Problemas de alimentación	Sintoma	Puntos a verificar (Causa)
El equipo funciona en forma incorrecta a pesar de que usted ha presionado los botones de operación correctos. El visualizador exhibe indicaciones irregulares no descritas en el manual de instrucciones. Después de enchufar y conectar la alimentación principal, el aparato muestra "Err" en el visualizador y la bandeja del CD se abre.	Sin corriente CA.	<ul style="list-style-type: none"> ¿ Está el cordón enchufado correctamente?
El cassette no se puede introducir.	No graba.	<ul style="list-style-type: none"> • Asegúrese de que el cassette haya sido correctamente insertado en el porta-cassetes. • Están las pestañas que presionan el borrado accidentalmente quitadas? Si es así, cubra los huecos con cinta plástica. • Limpie las cabezas con un paño limpiador. • Limpie las cabezas, el cabrestante y los rodillos con un paño limpiador.
Sonido defectuoso o velocidad irregular de la cinta.	El disco no se reproduce.	<ul style="list-style-type: none"> • ¿ Está el disco rayado o combado? • ¿ Está el disco rayado o con otro defecto? • ¿ Está el disco sucio?
El reproductor de opera correctamente, el sonido se interrumpe, hay ruido, las canciones no se pueden seleccionar.	El reproductor no opera con normalidad cuando se presionan los botones de control.	<ul style="list-style-type: none"> • Presione primero el botón de parada/borrado y luego reproduzca el disco otra vez.

ESPECIFICACIONES

- **Sección del sintonizador:**
 - 2 bandas, FM/AM
 - Sistema de circuito: FM: 87.9 a 107.9 MHz (paso de 200 KHz)
 - Gama de sintonía: AM: 530 a 1710 KHz (paso de 10 KHz)
 - Sensibilidad REC: FM: 1.5 µV/75 ohmios (S/N 26 dB)
 - AM: 1400 µV/m (antena de cuadro)
- **Sección del deck de cassetes:**
 - 4 pistas, 2 canales
 - Sistema de pistas: Polarización de CA
 - Sistema de grabación: Borrado con CA
 - Sistema de borrado: TAPE 1: Reproducción Normal/Crozmétal (reproducción normal)
 - TAPE 2: Grabación/reproducción normal
 - Velocidad de la cinta: 4.75 cm/s
 - Sensibilidad: MIC: 3 mV (10 kilohmios)
 - Impedancia de entrada: AUX: 400 mV (27 kilohmios)
 - Impedancia de salida: Terminales estándar de EE.UU.
 - Impedancia idónea: 6 a 16 ohmios
 - Impedancia idónea: 8 a 100 ohmios
 - Salida de audio: 37 W + 37 W (6 ohmios, 1% de distorsión armónica total)
- **Sección del temporizador:**
 - Sistema: Pico digital de cuarzo
 - Forma de visualización: Pantalla LCD
 - Previsión: Dentro de unos 60 segundos por mes
- **Sección de los altavoces:**
 - Sistema: Sistema de altavoces BASS REFLEX
 - Altavoces: Cable reflectora de graves: 14 cm x 1,5 cm x 1,2 cm x 1
 - 6 ohmios
 - Impedancia máxima de entrada: 50 W (señal de pico musical)
 - US: 175 (A) x 350 (A) x 205 (Prt) mm
 - 2,9 kg/pieza
- **Sección del reproductor de discos compactos:**
 - Numero de canales: 2
 - Resposta en frecuencia: 20 a 20,000 Hz
 - Disco: 12 cm/8 cm
 - Propiedades del diodo láser: Longitud de onda: 785 nm
 - Menos de 175 mW (IEC Pub. 925)
 - Menos de 48.5 µW (FDA CFR 21)
- **Especificaciones generales:**
 - CA: 120V, 60 Hz
 - Consumo: 80 W
 - Dimensiones: UTCW-C30: 175 (A) x 317 (Prt) mm
 - UPR-C30: 175 (A) x 366 (Prt) mm
 - Peso: UPR-C30: 3,3 kg
 - UPR-C30: 3,8 kg

Mesurado de acuerdo con las Normas del Reglamento de Comercio de la Comisión de Comercio Federal sobre Demandas de potencia para Amplificadores

AVISO: ESTE APARATO DIGITAL NO SOBREPASA LOS LIMITES DE LA CLASE B DE EMISION DE SONIDO DE RADIO POR UN APARATO DIGITAL. TAL COMO FUERD EN LOS REGLAMENTOS DE INTERFERENCIAS DE RADIO DEL DEPARTAMENTO DE COMUNICACIONES DEL CANADA.

Los cambios en las especificaciones son para mejorar el rendimiento y pueden aparecer sin previo aviso.

Mantenimiento de los decks de cassetes

- **Limpieza de las cabezas:** Limpie periódicamente las cabezas, los ejes de antrax, y los rodillos, compresores con un paño de cabeza de algodón humedecido en alcohol, o una bebida melílica. No emplee nunca instrumentos puntagudos ni metálicos para limpiar estas partes.
- **Desmagnetización:** Las cabezas se magnetizarán ligeramente después de una utilización prolongada. Como resultado, es posible que se pierda el sonido de altas frecuencias o que se produzca ruido. Realice de vez en cuando la desmagnetización de las cabezas con un borrador de cabezas.

Entretien de platine-cassette

- **Nettoyage des têtes:** Nettoyez périodiquement les têtes, le cabestan et le rouleau à pression à l'aide d'un écouvillon trempé dans de l'alcool ou de l'alcool dénaturé. Ne jamais se servir d'objets ou d'outils métalliques ou pointus pour nettoyer ces organes délicats.
- **Demagnétisation:** Les têtes se magnétisent légèrement après un emploi prolongé de l'appareil, ce qui entraîne une perte des hautes fréquences et provoque des parasites. Démagnétisez les têtes de temps à autre à l'aide d'un démagnétiseur pour têtes audio.

Tape deck maintenance

- **Head cleaning:** Clean the heads, capstan and pressure roller periodically with a head cleaning stick moistened with alcohol or methylated spirit. Never use a sharp or metallic instrument or tool for cleaning these parts.
- **Demagnetization:** The head inevitably becomes magnetized slightly after long use. As a result, high-frequency sound may be lacking or noise is generated. Perform head demagnetization occasionally with a head eraser.

Mantenimiento del reproductor de discos compactos

- **Trate las superficies de los discos con cuidado:** Mantenga los discos de forma que no se adhiera polvo ni humedad. Limpie las superficies con un paño suave. No utilice paño duro ya que marcarán el disco.

Entretien du lecteur CD

- **Tratier délicatement les surfaces des disques:** Maintien les disques de façon qu'aucune empreinte de doigt ou poussière ne colle sur leur surface. Pour nettoyer, utiliser un chiffon doux. Ne pas utiliser de chiffon râpe car il marquerait la disque.

CD player maintenance

- **Treat disc surface carefully:** Handle the discs so that fingerprints and dust do not adhere to the surface of the discs. To clean, use a soft cloth. Do not use a hard cloth since these will mark the disc.

MEMO

MAINTENIMIENTO

ENTRETIEN

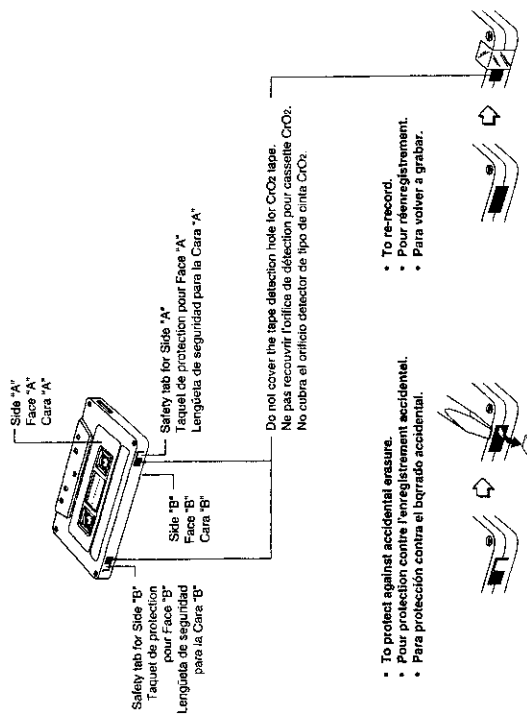
FOR CD PICKUP LENS
POUR LENTILLE DE LECTURE DE CD
PARA EL LENTE RECOGEDOR

- After the CD player is used for a long period, the pickup lens may become dirty and the CD player may be unable to play. In this case, clean the pickup lens with a lens cleaning disc sold in the market.
- Après une utilisation prolongée du lecteur de CD, il se peut que la lentille de lecture soit souillée au point de rendre impossible le fonctionnement du lecteur. Dans ce cas, nettoyez la lentille de lecture à l'aide d'un disque de nettoyage d'objet, en vente dans le commerce.
- Después de haber utilizado el reproductor de CD por un largo período de tiempo el lente recogedor puede que se ensucie, y el reproductor de CD no podrá tocar. En este caso, limpie el lente recogedor con un disco de limpieza para este tipo de lente, disponible en el mercado.

PROTECCION DE GRABACIONES

PROTECTION CONTRE EFFACEMENT ACCIDENTEL

RECORDING PROTECTION



DISASSEMBLY & SERVICE POINTS

UPR-C30:

1. **Removal of the Top Cover (Fig. 1)**
(1) Remove 7 screws ①.
2. **Removal of Rear Plate (Fig. 2)**
(1) Remove 2 screws ② from the heat sink cover. Then remove the heat sink cover from the rear plate.
(2) Remove 4 screws ③ from the left and right bracket, and bottom chassis.
(3) Remove 3 screws ④ from Tuner Audio P.W.B. Board and 2 screws ④ from Main P.W.B. Board.
(4) Remove the AC cord bushing from the A.C. power cord. Then remove the rear plate.
3. **Removal of Left and Right Brackets (Fig. 3)**
(1) Remove 2 screws ⑤ from (side of) front panel. Then remove the brackets from the front panel by releasing the claws that hold the brackets to the front panel together.
4. **Removal of Tuner Audio P.W.B. Board (Fig. 4)**
(1) Release 3 connectors ⑥.
(2) Release 1 connector ⑦ from Tape P.W.B. Board.
(3) Release 1 connector ⑧ from Main P.W.B. Board.
(4) Remove 1 screw ⑨ from bracket on Main P.W.B. Board.
(5) Gently remove Tuner Audio P.W.B. Board from Tape P.W.B. Board by pulling the board free of the 2 connectors ⑩ from Tape P.W.B. Board.
5. **Removal of Tape P.W.B. Board (Fig. 5)**
(1) Release 5 connectors ⑪.
(2) Release 2 flat connectors ⑫.
(3) Remove 2 screws ⑬ from 2 P.W.B. brackets (L) on the bottom chassis.
(4) Gently remove Tape P.W.B. Board from Main P.W.B. Board by pulling the board free of a connector ⑭ from Main P.W.B. Board.
6. **Removal of Main and power P.W.B. Board (Fig. 6)**
(1) Remove 5 screws ⑮ from Main P.W.B.
(2) Remove 4 screws ⑯ from the Transformer.
7. **Removal of Bottom Chassis (Fig. 7)**
(1) Remove 2 screws ⑰ from (bottom of) front panel.
(2) Remove 2 screws ⑱ from 2 Mecha holders (for holding the cassette mechanism to the bottom chassis.)
(3) Remove the bottom chassis from the front panel.
8. **Removal of Volume P.W.B. Board (Fig. 8)**
(1) Remove the volume knob from the front panel.
(2) Remove the nut and washer from the Volume shaft.
(3) Remove the Volume P.W.B. board.
9. **Removal of Display P.W.B. Board (Fig. 9)**
(1) Remove 4 screws ⑲ from the Display P.W.B. Board.
(2) Remove the Display P.W.B. Board. Note that the key buttons are also removed at this point.
10. **Removal of Cassette Mechanism (Fig. 10a & Fig. 10b)**
(1) Remove 4 screws ⑳ (top 3 and bottom 1) from the cassette mechanism.
(2) Press both cassette eject buttons together and the cassette mechanism will slide off smoothly from the front panel.

Caution:

- (a) Be sure to use 3x8 BT screws ㉑.
- (b) • Be careful to rest eject lever on the eject cam.
• Ensure that the eject lever is pushed up by the eject cam when the eject button is pressed.

11. **Removal of Eject Bracket (Fig. 11)**
(1) Remove the 2 eject springs.
(2) Remove 2 screws ㉒ and then remove the eject bracket.
12. **Removal of Cassette Door (Fig. 12)**
(1) Gently, squeeze together the bottoms of the cassette door latches. When the latches are free of the restraining holes, remove the cassette door by pulling it forward.
13. **Removal of Deck Key P.W.B. Board (Fig. 13)**
(1) Remove 4 screws ㉓.

UTCM-C30:

1. **Removal of the Top Cover (Fig. 14)**
(1) Remove 5 screws ①.
2. **Removal of Rear Plate (Fig. 15)**
(1) Remove 4 screws ②: 2 from the left and right brackets and 2 from the bottom chassis.
(2) Release 1 connector ③.
3. **Removal of CDC P.W.B. Board (Fig. 16)**
(1) Release 2 connectors ④ and 4 connectors ⑤.
(2) Remove 4 screws ⑥ from the left and right brackets.
4. **Removal of Left and Right Brackets (Fig. 17)**
(1) Remove 2 screws ⑦ from (side of) front panel. Then remove the brackets from the front panel by releasing the claws that hold the brackets to the front panel together.
5. **Removal of CD Mechanism (Fig. 18)**
(1) Remove 4 screws ⑧ from the bottom chassis.
6. **Removal of Bottom Chassis (Fig. 19)**
(1) Remove 1 screw ⑨ from (bottom of) front panel.
(2) Remove the bottom chassis from the front panel by releasing the claws that hold the bottom chassis to the front panel together.
7. **Removal of Display P.W.B. Board (Fig. 20)**
(1) Remove 6 screws ⑩ from the Display P.W.B. Board. Then remove the Display P.W.B. Board by releasing a hook on the front panel.
8. **Removal of Key P.W.B. Board (Fig. 21)**
(1) Remove 2 screws ⑪ from the Key P.W.B. Board.

Cautions when servicing

(a) Semiconductor laser (Fig. 22)

The semiconductor laser is very sensitive to electrostatic breakdown and surge current. Do not touch the terminals of the semiconductor laser and FLEXIBLE P.W.B with your finger or tools.

Relationship between current and light intensity is shown in Fig. 22. When the threshold current is exceeded, intensity changes steeply. The threshold current value is a little different depending on individual laser.

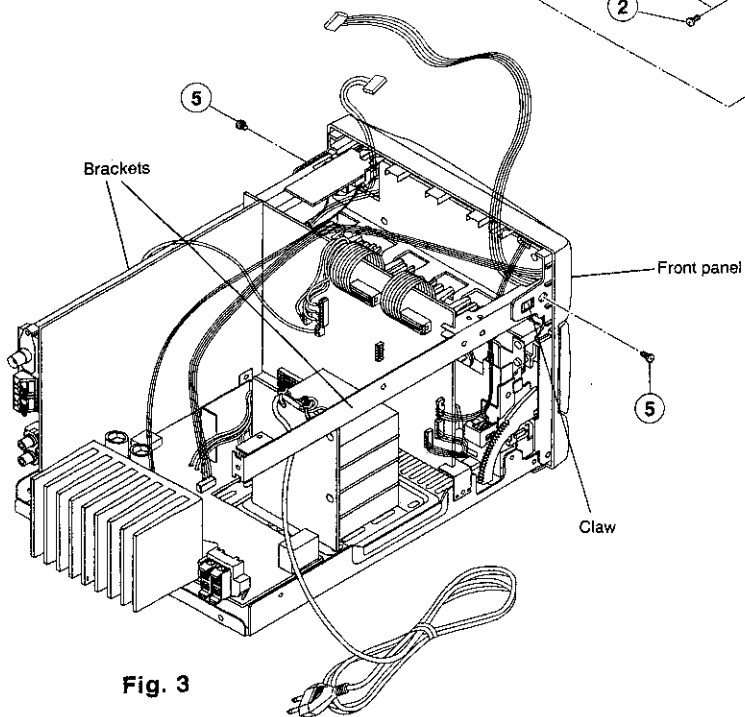
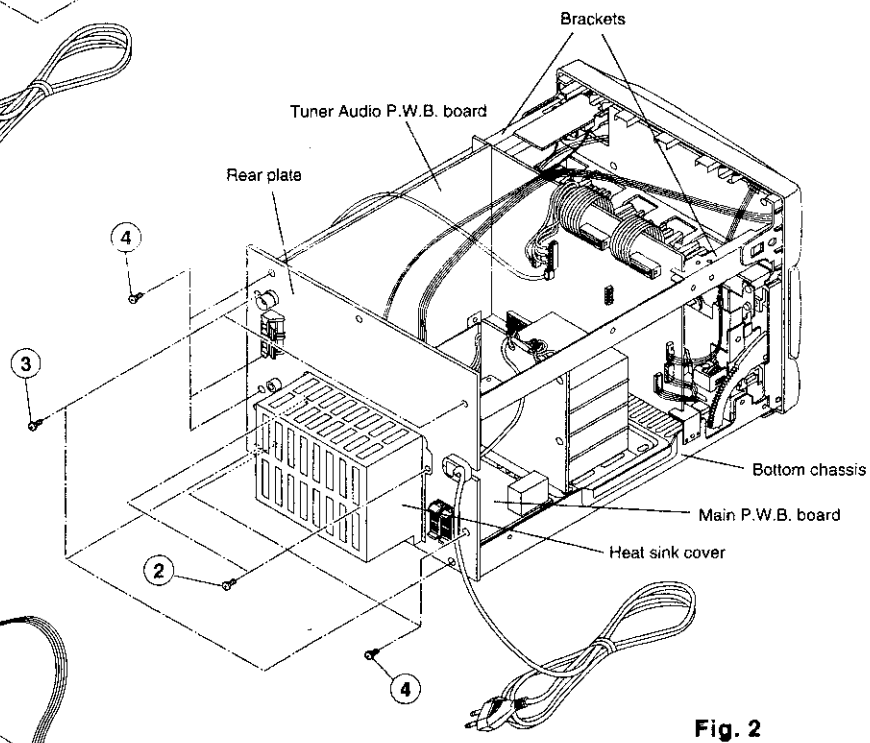
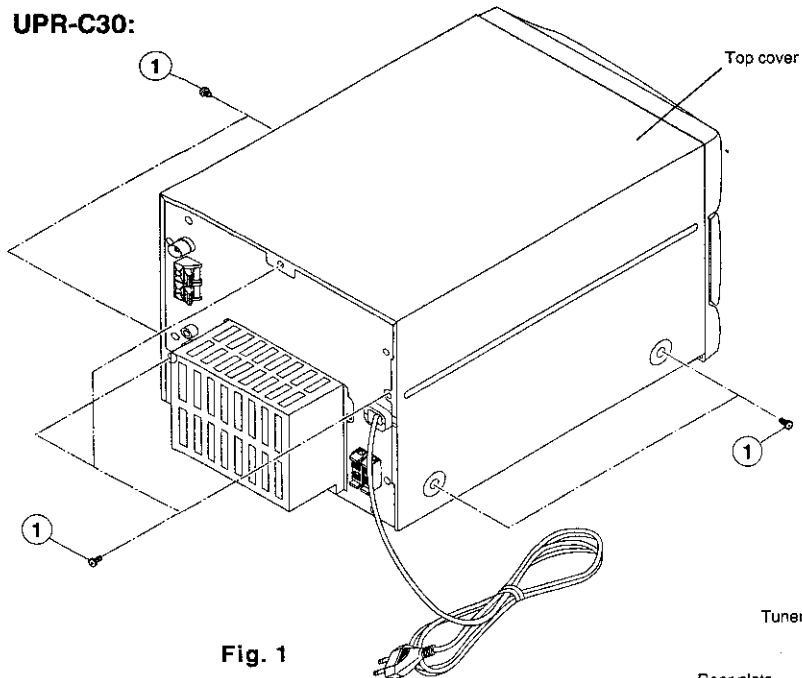
(b) Handling of the unit mechanism section (Fig. 23)

When handling the pickup mechanism section or the unit mechanism section, use the grounding ring as shown in Fig. 23. (The grounding ring can be made from normal lead wire.)

(c) Replacing pickup mechanism (Fig. 24 & Fig. 25)

When replacing a new pickup mechanism, remove the solder of the short point.

UPR-C30:



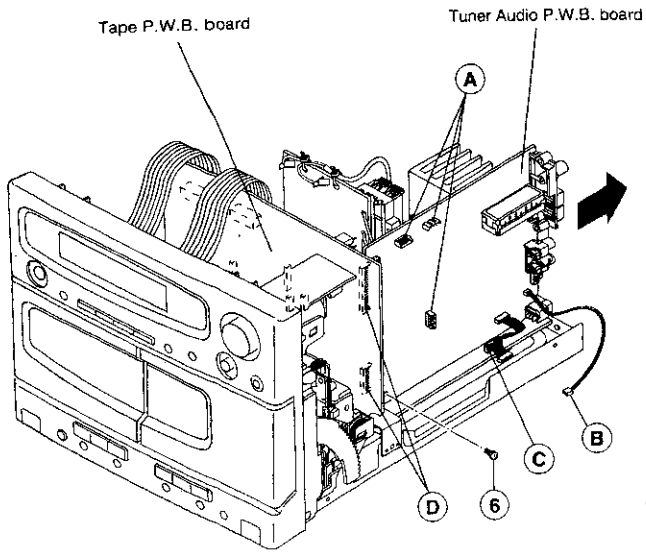


Fig. 4

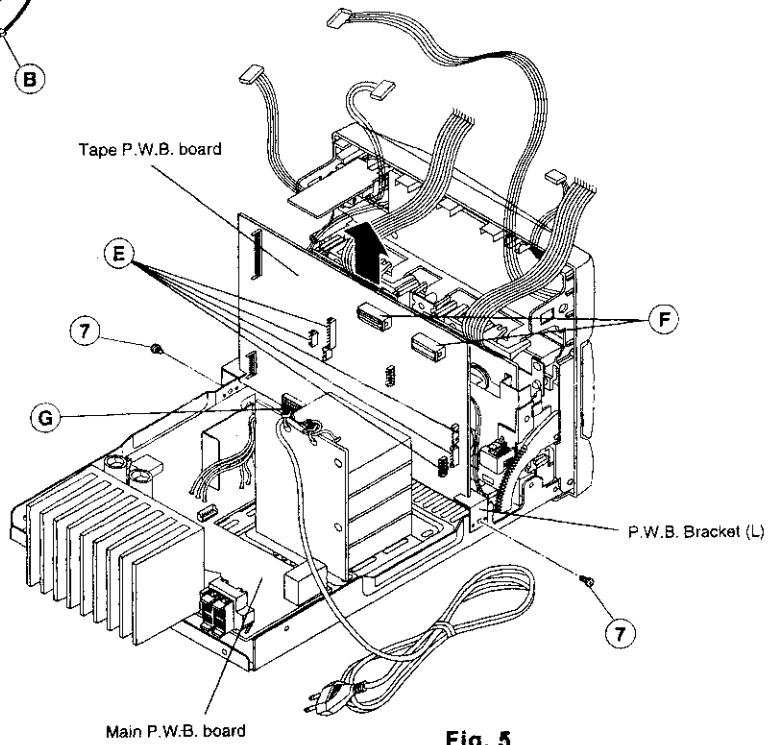


Fig. 5

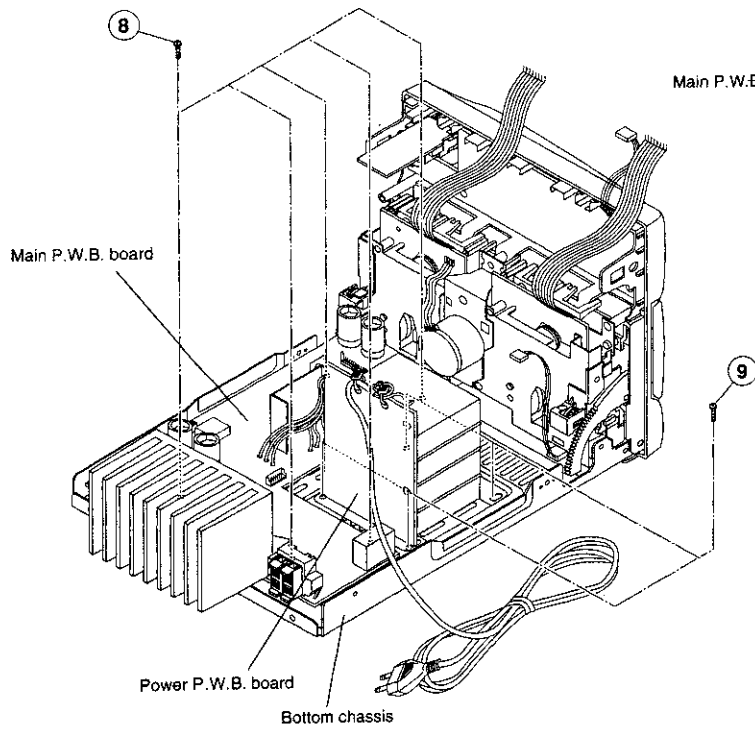


Fig. 6

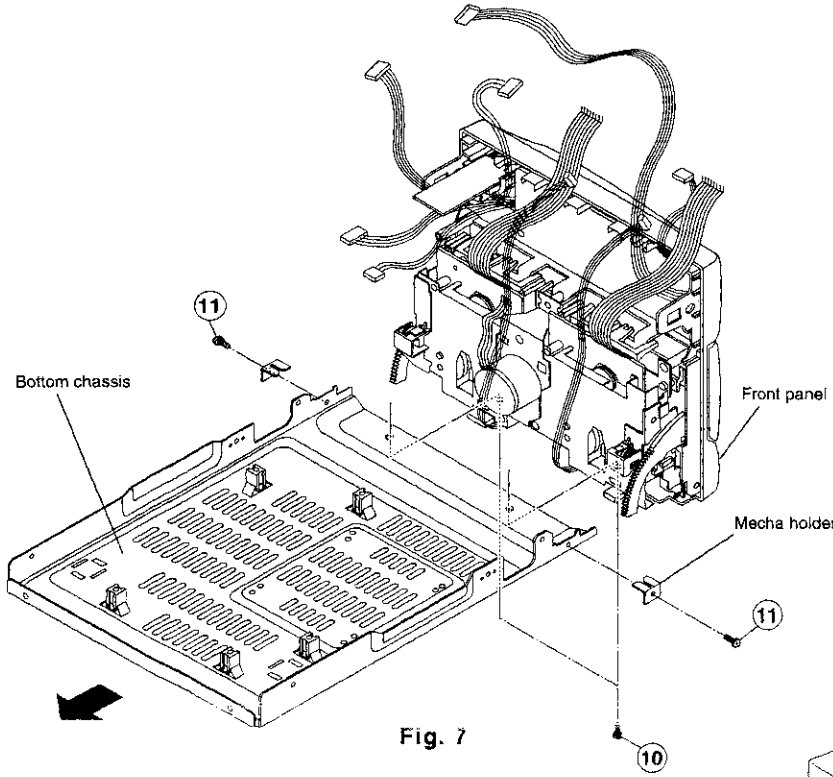


Fig. 7

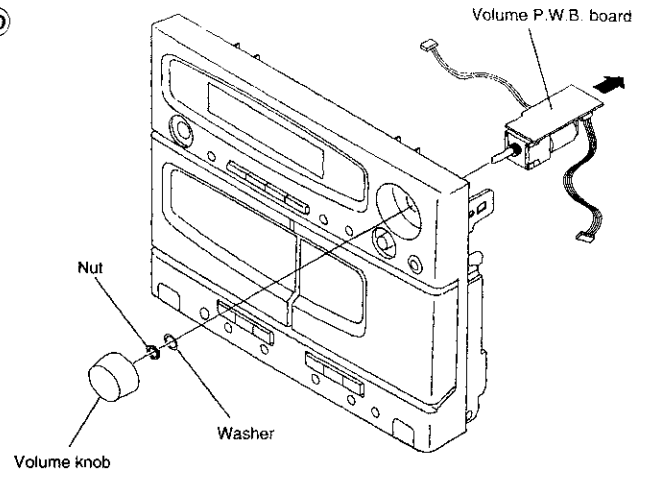


Fig. 8

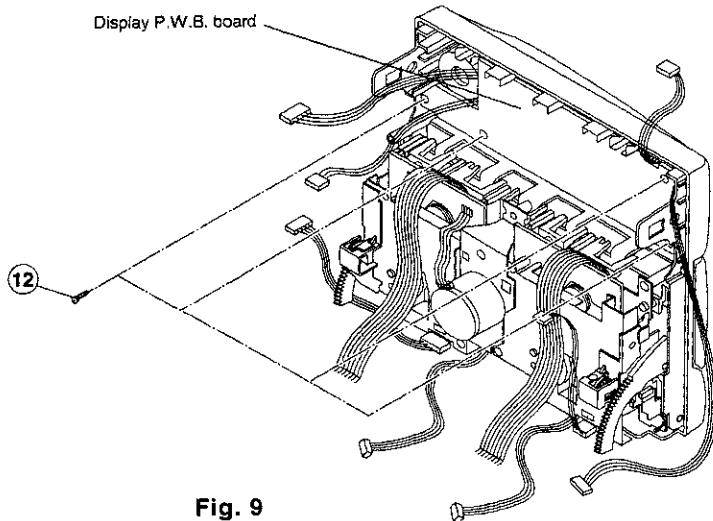


Fig. 9

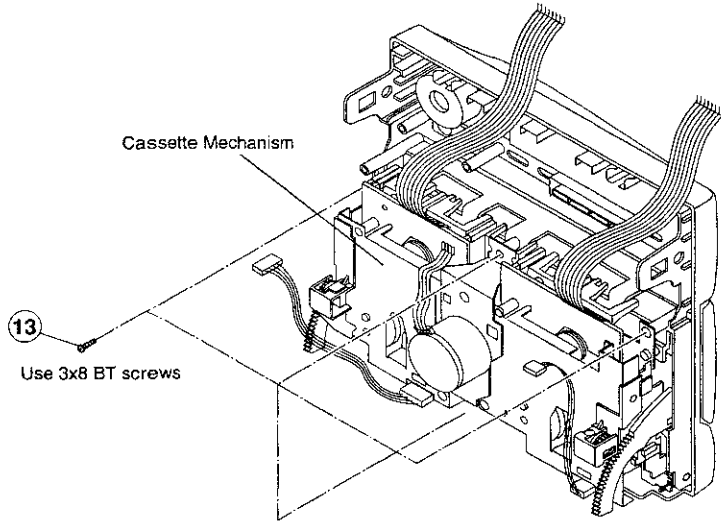


Fig. 10a

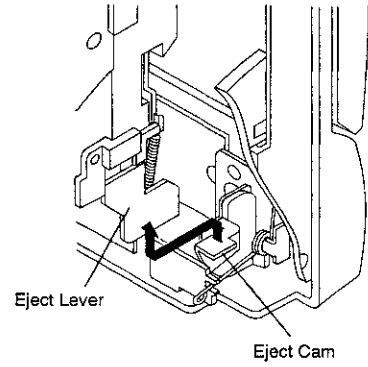


Fig. 10b

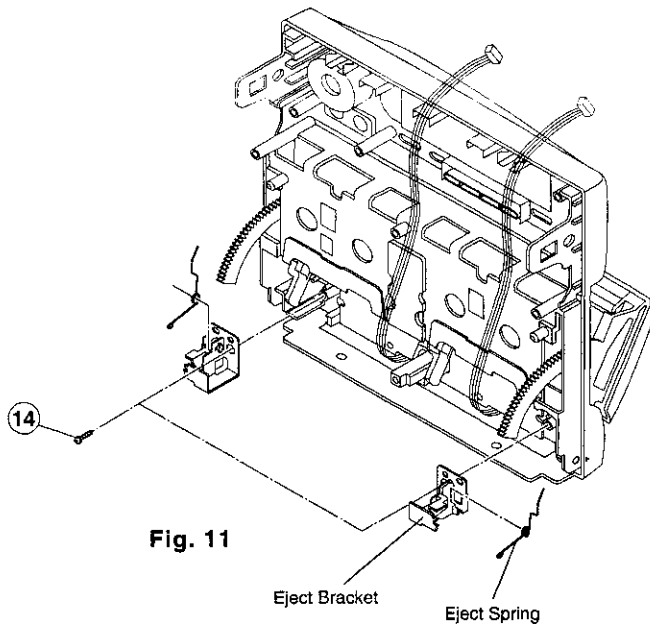


Fig. 11

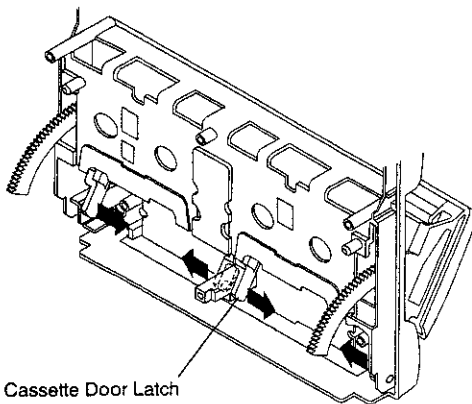


Fig. 12

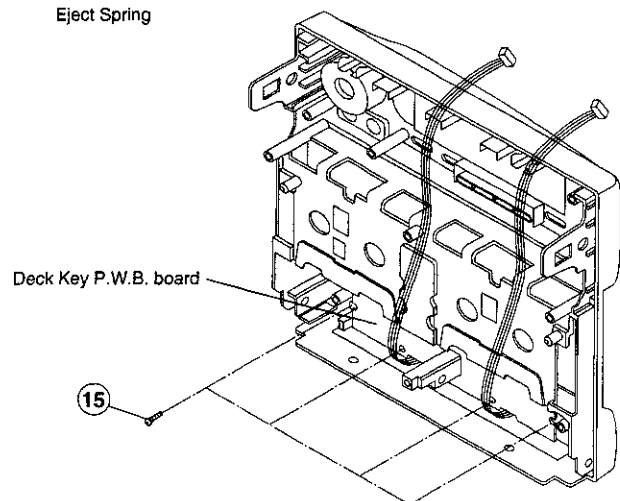


Fig. 13

UTCM-C30:

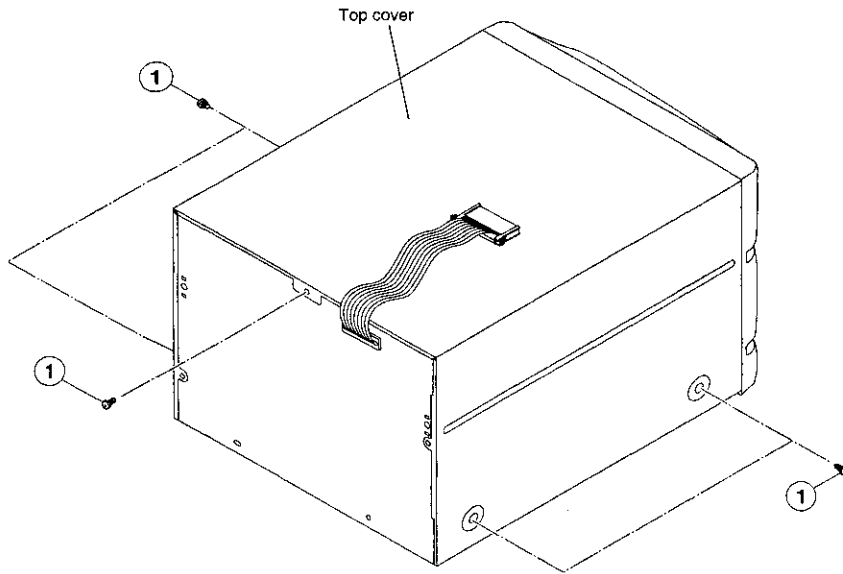


Fig. 14

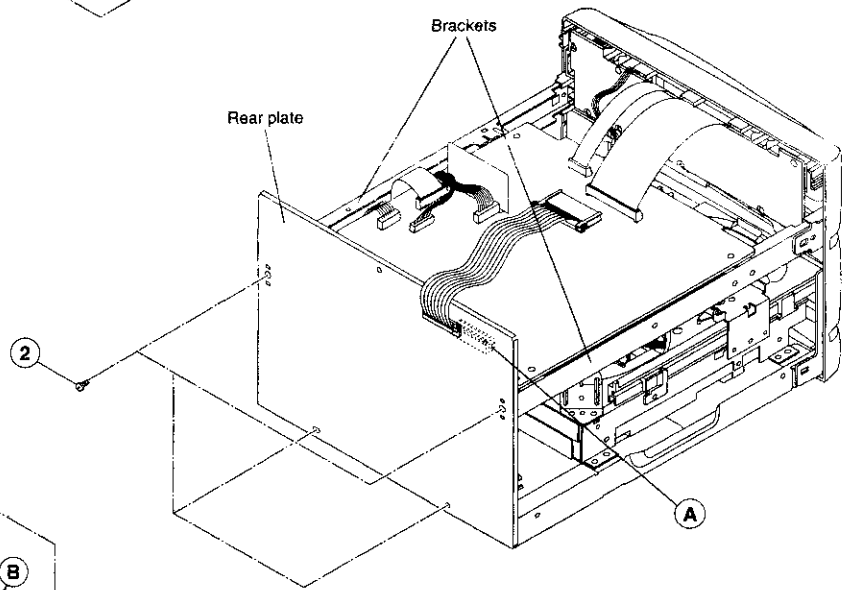


Fig. 15

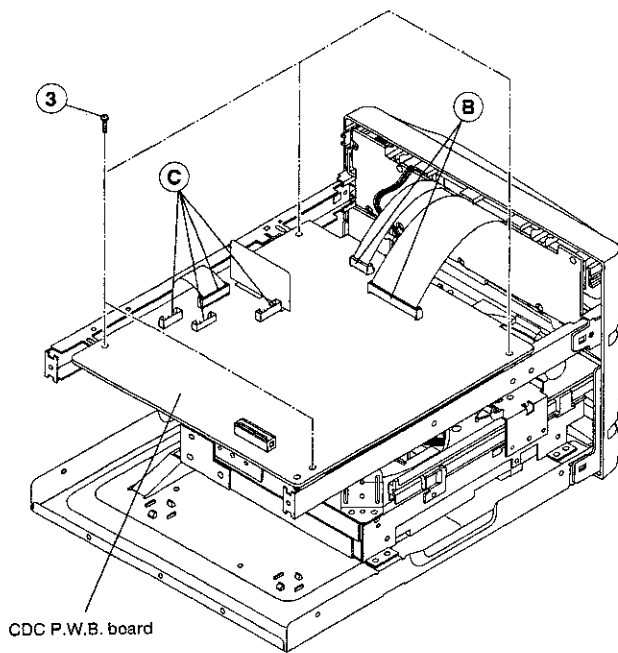


Fig. 16

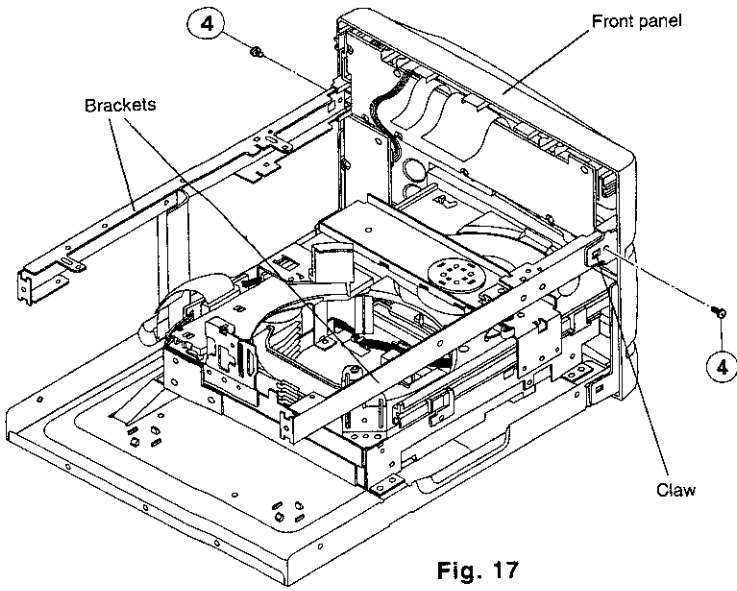


Fig. 17

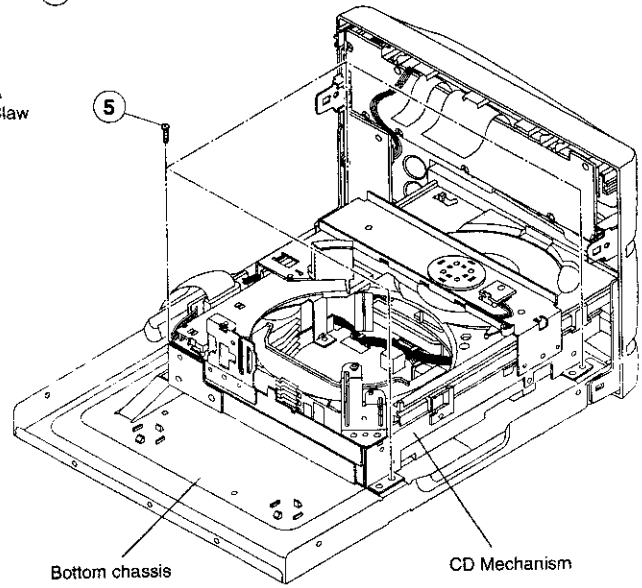


Fig. 18

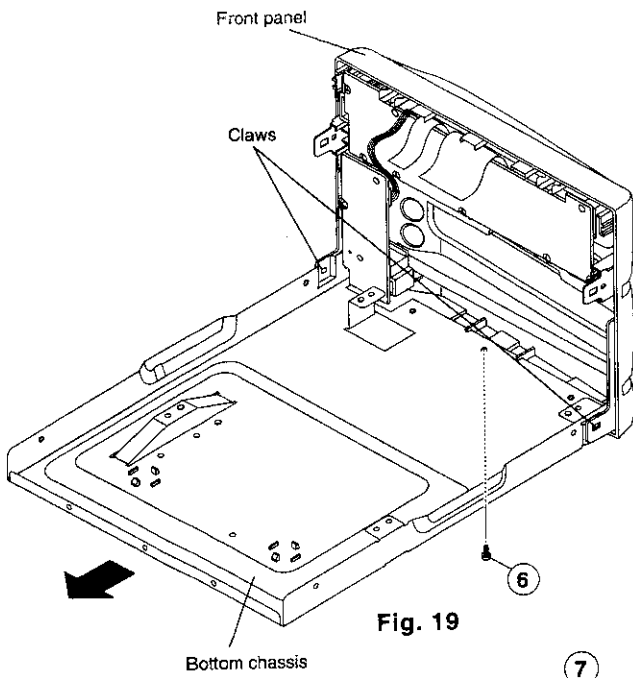


Fig. 19

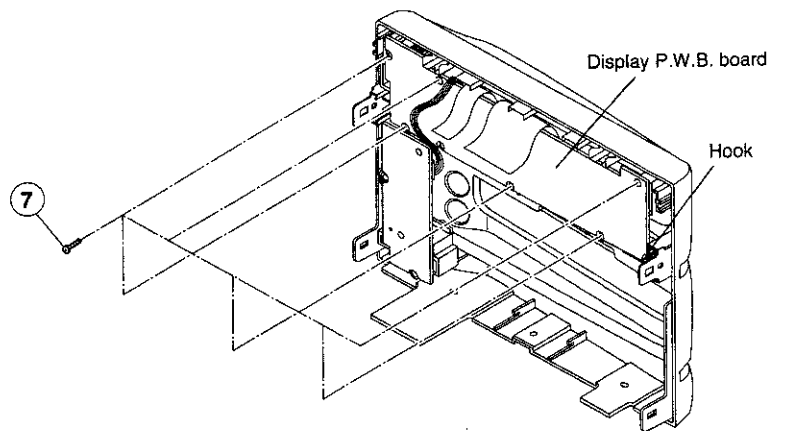


Fig. 20

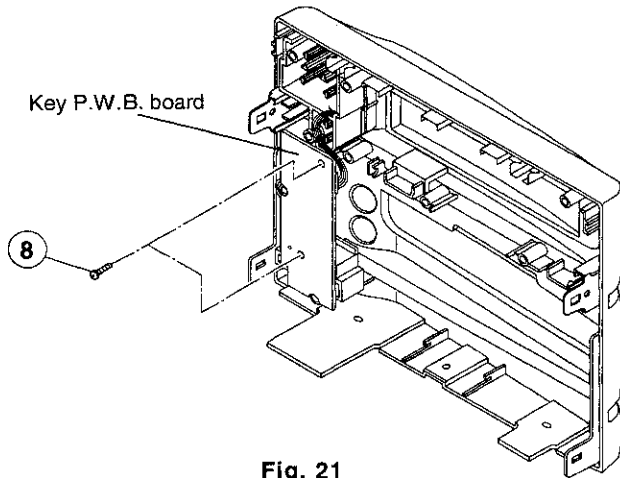


Fig. 21

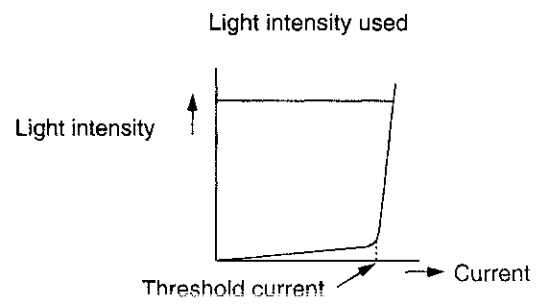


Fig. 22

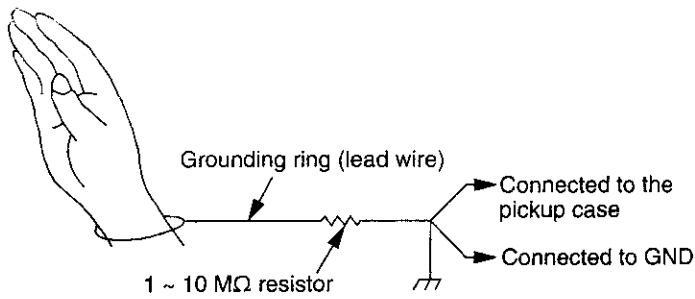


Fig. 23

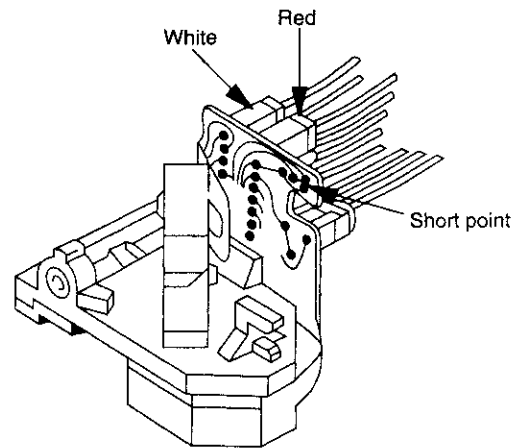


Fig. 24

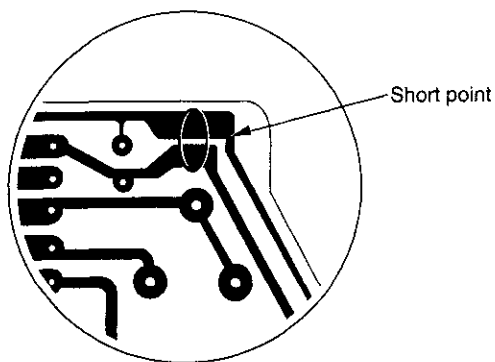
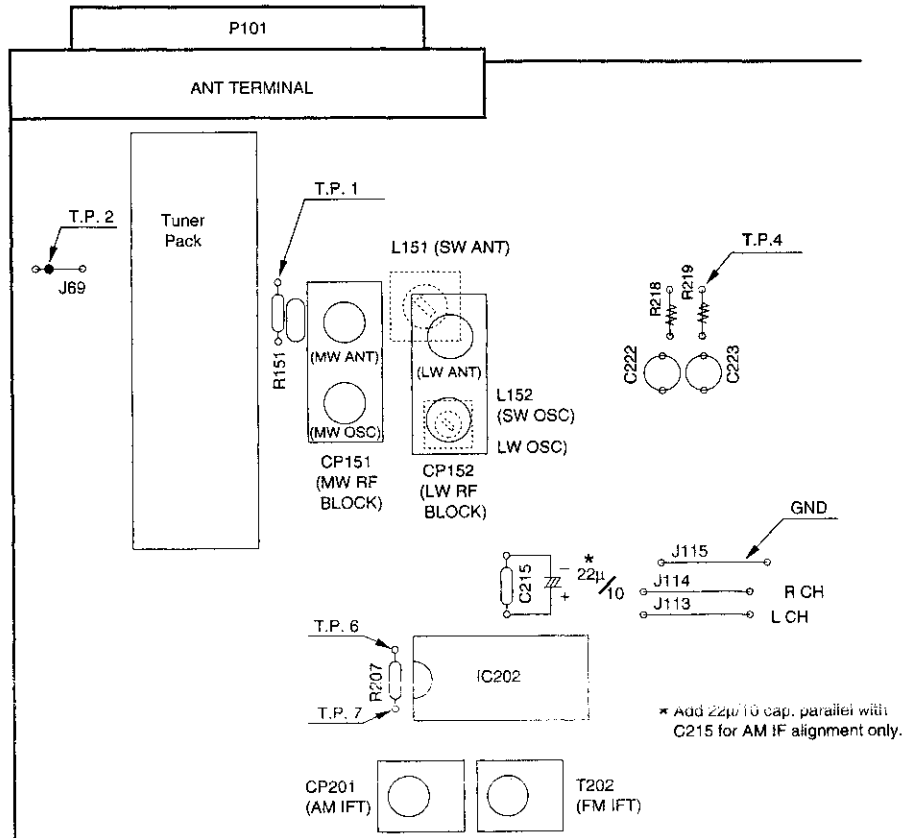


Fig. 25

ADJUSTMENTS

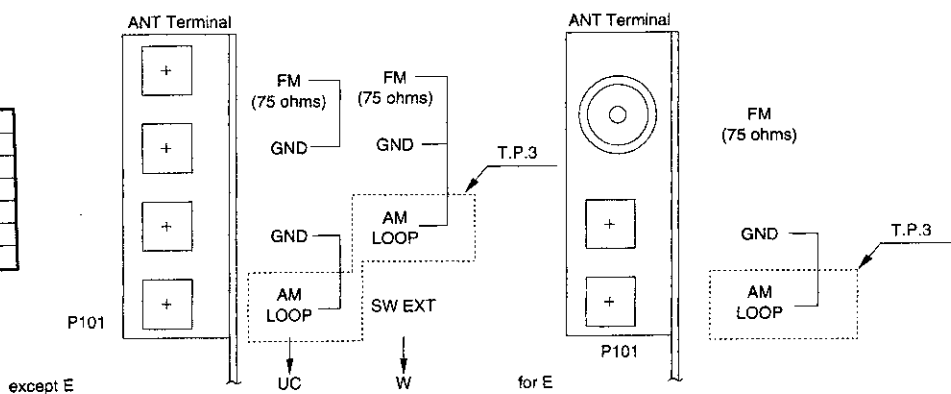
• Adjustment points (Radio section)



* Add 22p/10 cap. parallel with C215 for AM IF alignment only.

NOTE

UC	U.S.A. model
E	EUROPE model
E (BS)	U.K. model
E (Z)	EUROPE model
W	ASIA model
W (UN)	ASIA model
W (AU)	AUSTRALIA model



1. RADIO SECTION

1- (1) AM Section

Item No.	Adjustment Item	Input	Output	Frequency	Adjusting part	Remarks
1	IF waveform	P101 (TP. 3)	(TP. 4)	(Genescope)	CP201	Note 1
2	MW Covering	Loop antenna		522 kHz	CP151 (MW OSC)	Note 1
				530 kHz		
3	MW Tracking			603 kHz	CP151 (MW ANT)	Note 2
		600 kHz				
4	LW Covering	SW EXT Antenna		153 kHz	CP152 (LW OSC)	Note 1
5	LW Tracking			164 kHz	CP152 (LW ANT)	Note 2
6	SW Covering	SW EXT Antenna	3.8 MHz	L152	Note 3	
7	SW Tracking		4.0 MHz	L151	Note 2	

1- (2) FM Section

Item	Input	Output	Measuring Instrument	Frequency
FM IF waveform	CF201 [except E, E(BS), E(Z)] CF202 [for E, E(BS), E(Z)]	Tuner out (TP. 4)	Genescope	All band

Measuring Instrument and Connection (except UC)

Input Terminal	Output Terminal	Measuring Instrument	Frequency	Adjust	Reading
FM antenna 1 kHz, 60 dB 22.5 kHz DEV. MONO	TP. 6 TP. 7	DC balance Meter	98 MHz	T202	0 ± 30 mV

Note 1:

Since the IF waveform has been adjusted by the maker, it is not necessary to adjust it. However, if the adjusted point deviates by mistake, readjust it in the following procedure:

- (1) When the signal from the signal generator is weak, make adjustment until the waveform becomes maximum and symmetrical as shown in Fig. 26. Increase the output of the sweep generator, and adjust the waveform until the width of its part C becomes as flat as possible.

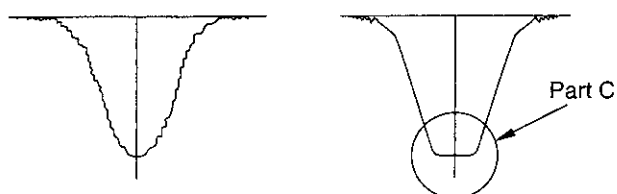


Fig. 26

- (2) For the MW/LW covering adjustment, follow the procedure shown below.

- (a) Connect a DC voltmeter to TP. 1(MW) or TP. 2(LW).
- (b) Adjust CP151 or CP152 until the value shown in the following table is obtained.

BAND	MW		LW
Lower limit frequency	522 kHz	530 kHz	153 kHz
Reading of voltmeter	1.25V ~ 1.45V	1.25V ~ 1.45V	1.35V ~ 1.55V
Destination	[E, E(BS), E(Z), W]	(UC)	[E, E(BS), E(Z)]

Note 2:

Initially, set the input level to 74 dB/m. As the adjustment advances, reduce the input level to the minimum level required (approx. 60 dB), and repeat the adjustment until the maximum output is obtained at the specified frequency.

Note 3:

SW coverage is as follows.
 (1) Connect the DC voltmeter to TP. 2.
 (2) Adjust L152 so that the values shown in table below are obtained.

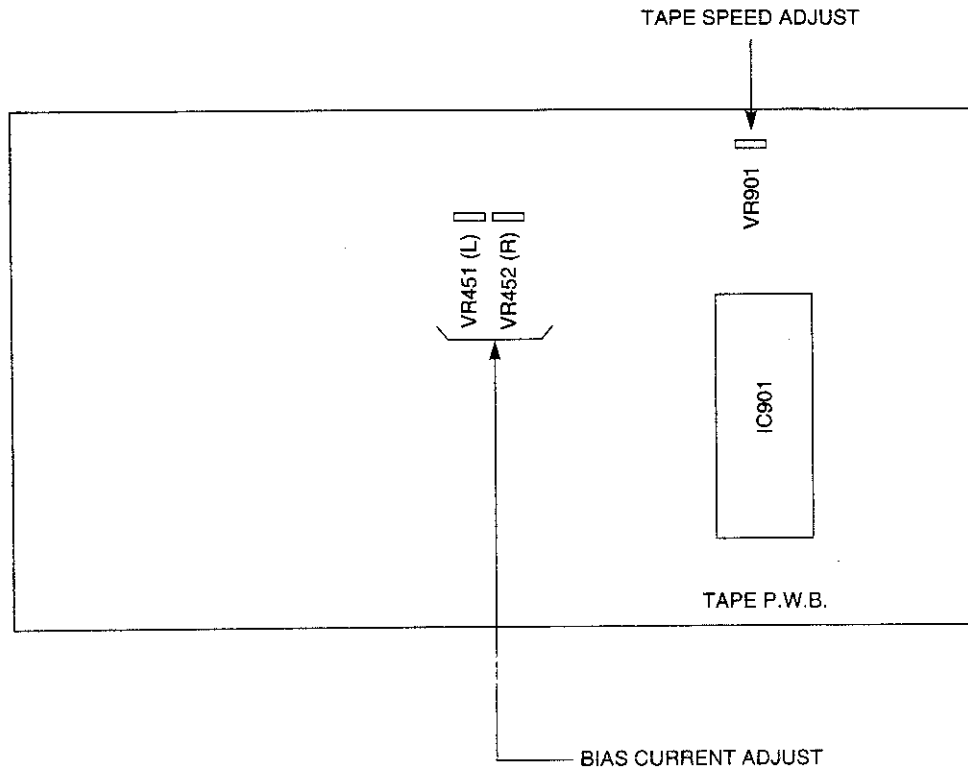
BAND	SW
Lower limit frequency	3.8 MHz
Reading of voltmeter	1.35V ± 0.1V
Destination	[W, W(UN), W(AU)]

NOTE

UC	U.S.A. model
E	EUROPE model
E (BS)	U.K. model
E (Z)	EUROPE model
W	ASIA model
W (UN)	ASIA model
W (AU)	AUSTRALIA model

2. TAPE DECK SECTION

- Adjustment points



Symbol No.	Switches and Controls	Position
S962	DOLBY NR	OFF
—	TAPE SW	AUTO
—	REC VOL	ALC

Perform the following adjustments in the sequence stated after cleaning the head, pressure roller, and capstan with a head cleaning stick moistened in alcohol.

1. Tape speed adjustment (TAPE 2 ONLY)

Input	Adjustment value	Adjustment position	Adjustment
Tape speed adjustment tape (MTT-111N/TCC-112)	3000 ± 10 Hz	VR901	TAPE 2 FWD

SPECIFICATION

Connect the frequency counter to the Dolby output TP501.

Perform the adjustment in the FWD mode and check that REW is within 2965~3045 Hz.

Play the adjustment tape with TAPE 2 and check the tape speed at the center of the tape.

Note: The tape speed deviation between TAPE 1 and TAPE 2 must be within 45 Hz. (FWD mode as reference.)

2. REC/PLAY head angle adjustment

Input	Adjustment value	Adjustment position
Angle correction tape (MTT-114NA/TCC-154)	Max. output	Head angle adjustment screw

Adjustment procedure

Connect the electronic voltmeter to the Dolby output TP501 and play the angle correction tape in FWD and REV modes and adjust. In FWD mode, adjust screw (a), and adjust screw (b) in REV mode.

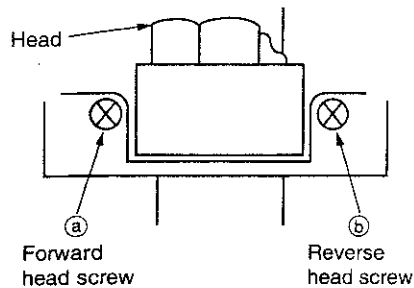
If the maximum values of both channels are different, match with the value of L channel. At this time, check that the difference of the maximum values between both channels is within 2 dB.

If it is not, re-adjust.

Adjust the phase in both FWD and REV modes so that phase is within $\pm 45^\circ$ for both channels.

Note: Be sure to stop after turning the screw in tightening direction. (Backlash may occur with the screw.)

Apply screw-lock paint to both (a) and (b) after the adjustment is completed. (Between screw and head base.)



3. Bias current adjustment

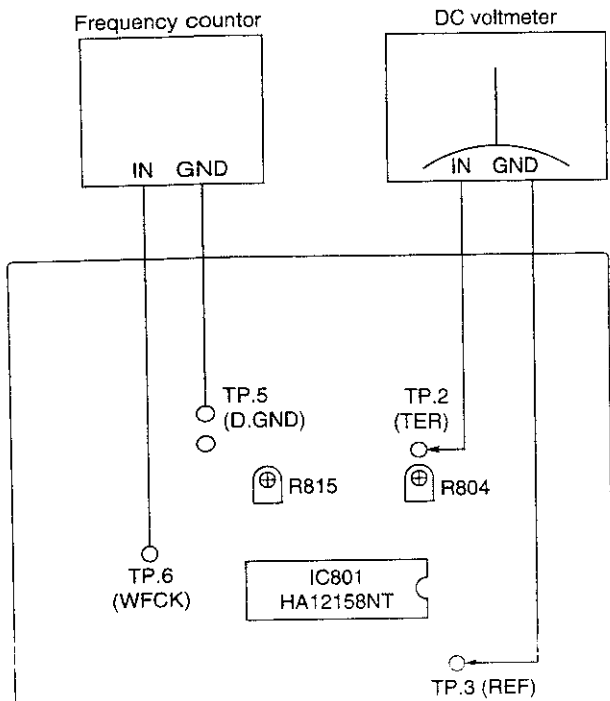
Input	Output	Mode	Adjustment position
AUX	Dolby output (TP501)	REC → PLAY	VR451 (LcH) VR452 (RcH)

Adjustment procedure

Input 1 kHz and 12.5 kHz, 300 mV -23 dB (at TP501) signal to AUX IN. Adjust VR451 and VR452 so that the record playback level with normal tape (UD-I) of above frequency is within -23 dB and the different between this two frequencies should be $+0.5$ dB $\sim +1$ dB.

3. CD PLAYER SECTION

• Adjustment points



1. Instruments to be used

- (1) DC voltmeter
- (2) Frequency counter

2. Preparation

- (1) Turn the power on, and set the function to "CD".
- (2) Open the CD tray.

Adjustment method

- (1) Adjustment of tracking offset voltage.
Adjust R804 so that the voltage of TP2 (TER) should be within the limit as follows.

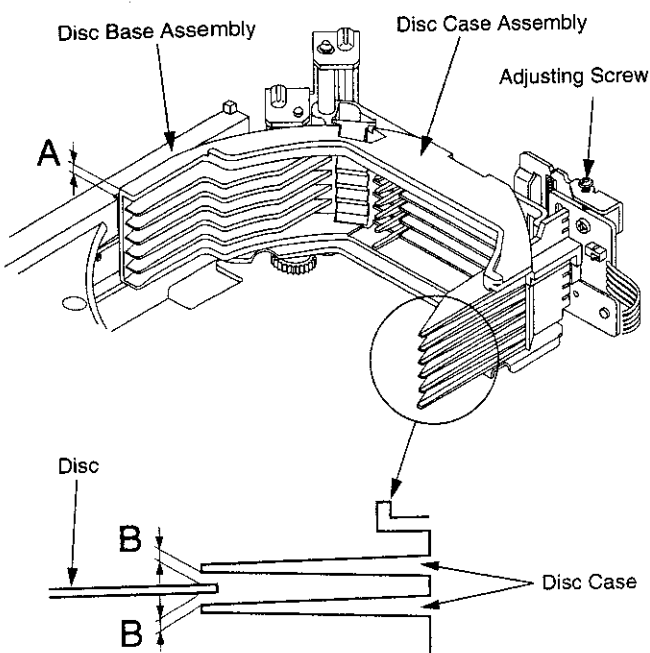
Model	Tracking offset voltage
D-C30	15 mV ± 10 mV

- (2) Adjustment of PLL frequency.
Adjust R815 so that the frequency of TP6 (WFCK) should be within the limit below.

Model	PLL Frequency
D-C30	7.3 ± 0.05 kHz

4. CD MECHANISM SECTION

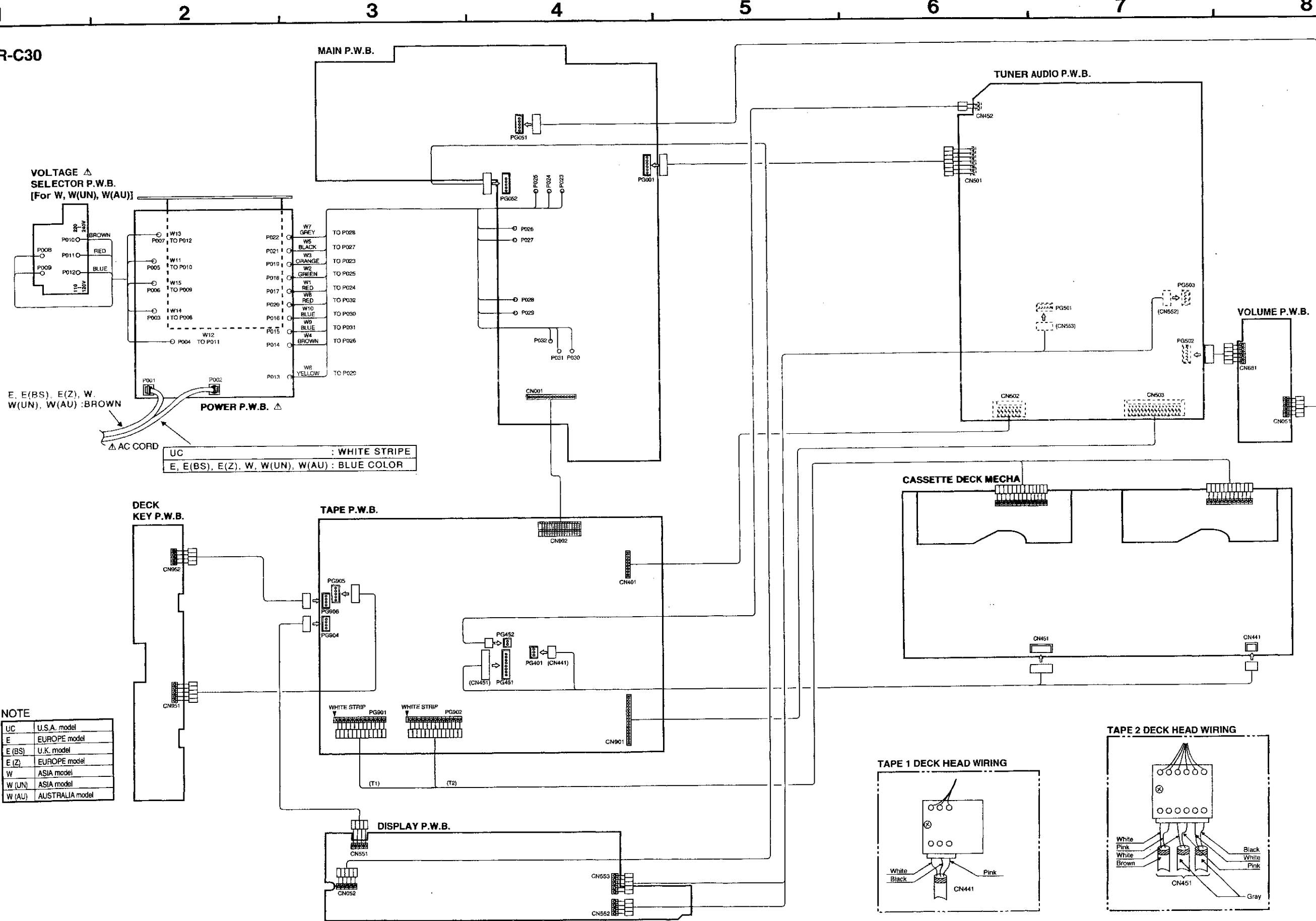
• DISC CASE Assembly Height Adjustment



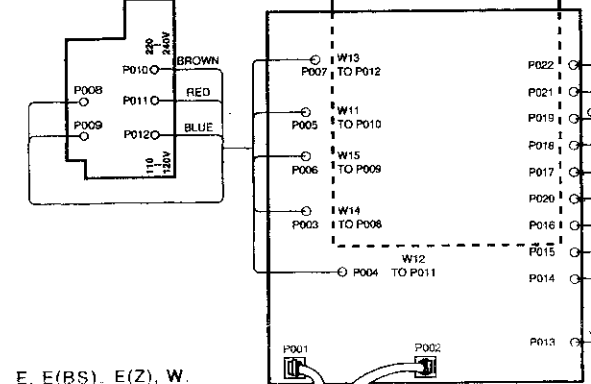
- (1) When the DISC CASE Assembly is replaced, adjust the height of the DISC CASE Assembly by turning the adjusting screw.
Make the 1st slot move and adjust the height of A to 1.2 mm.
- (2) Make the 2nd slot move and insert a disc into the 2nd slot by hand.
Then check the width that B is 0.5 mm or more by eyes.
- (3) Insert the 6 discs into each slots.
Then check that the DISC CASE Assembly works properly.

WIRING DIAGRAM

UPR-C30



VOLTAGE Δ
SELECTOR P.W.B.
[For W, W(UN), W(AU)]



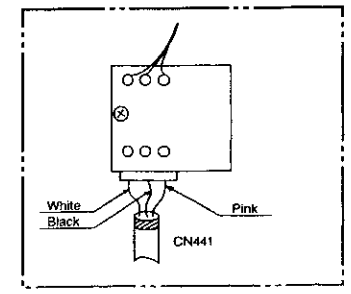
E, E(BS), E(Z), W,
W(UN), W(AU) : BROWN

Δ AC CORD
UC : WHITE STRIPE
E, E(BS), E(Z), W, W(UN), W(AU) : BLUE COLOR

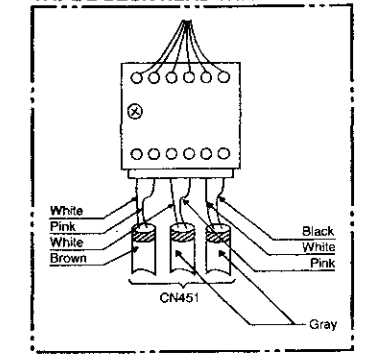
NOTE

UC	U.S.A. model
E	EUROPE model
E(BS)	U.K. model
E(Z)	EUROPE model
W	ASIA model
W(UN)	ASIA model
W(AU)	AUSTRALIA model

TAPE 1 DECK HEAD WIRING



TAPE 2 DECK HEAD WIRING



A

B

C

D

E

WIRING DIAGRAM

1

2

3

4

5

6

7

8

A

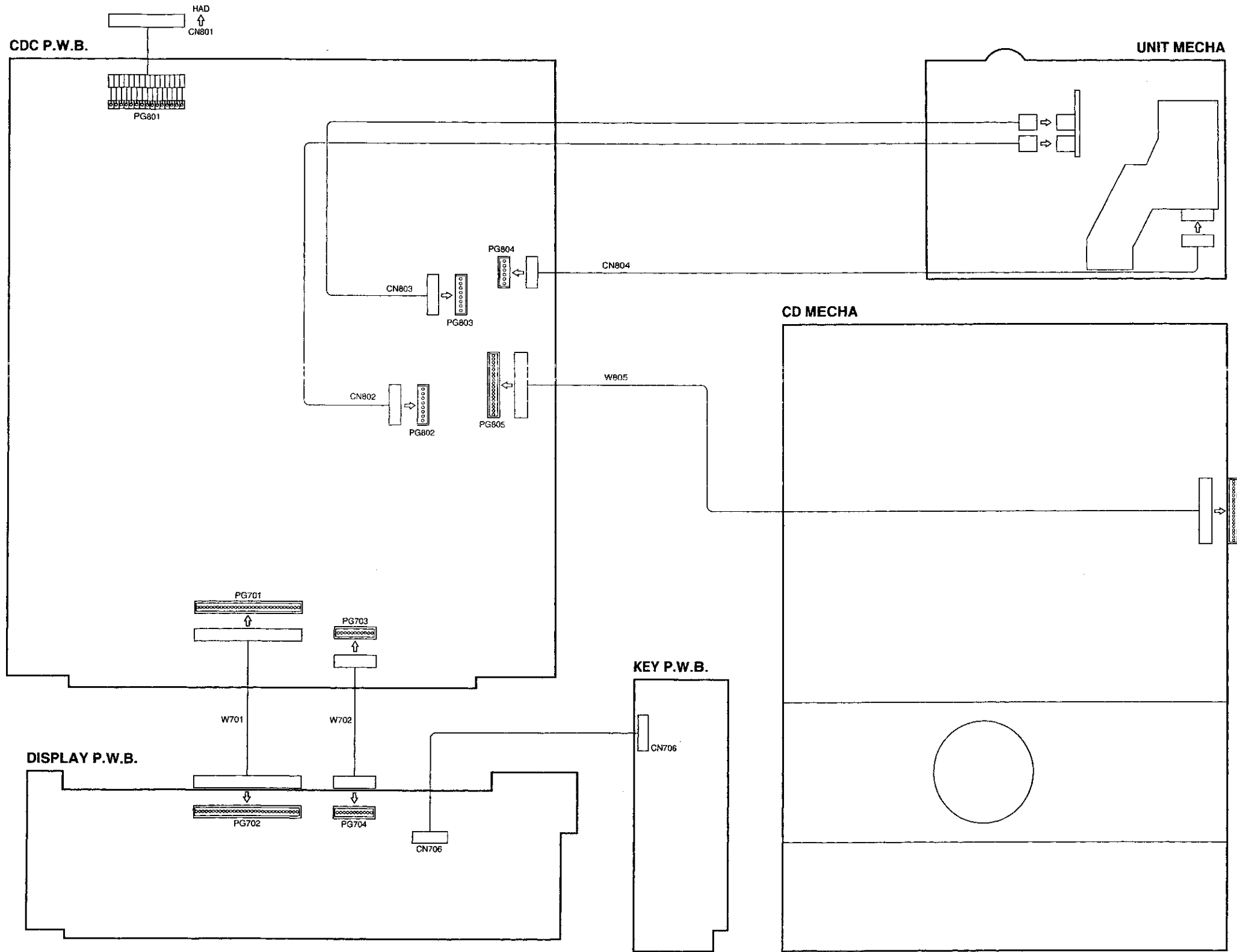
B

C

D

E

UTCM-C30



PRINTED WIRING BOARD

1 2 3 4 5 6 7 8

UTCM-C30

CDC P.W.B.

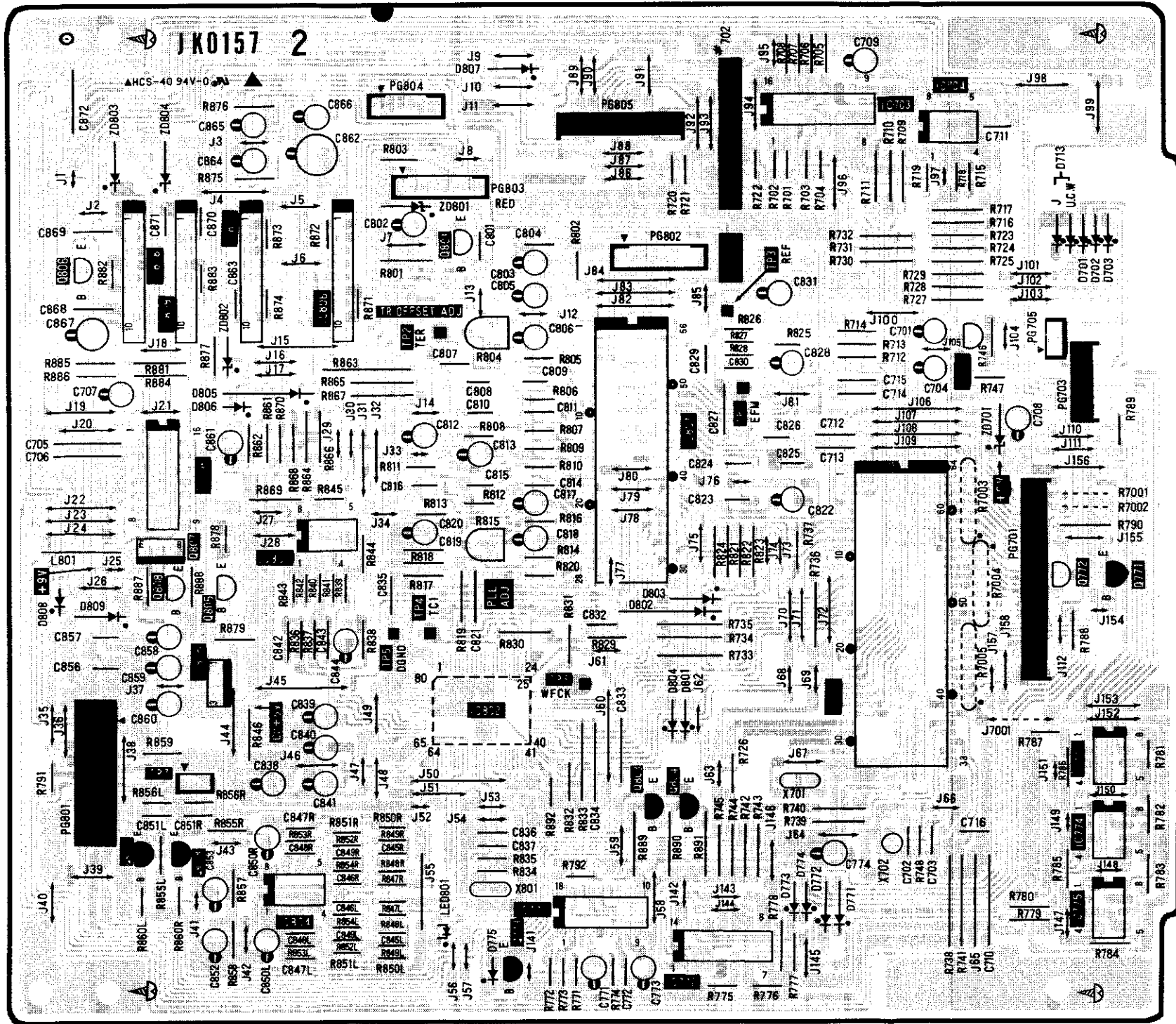
A

B

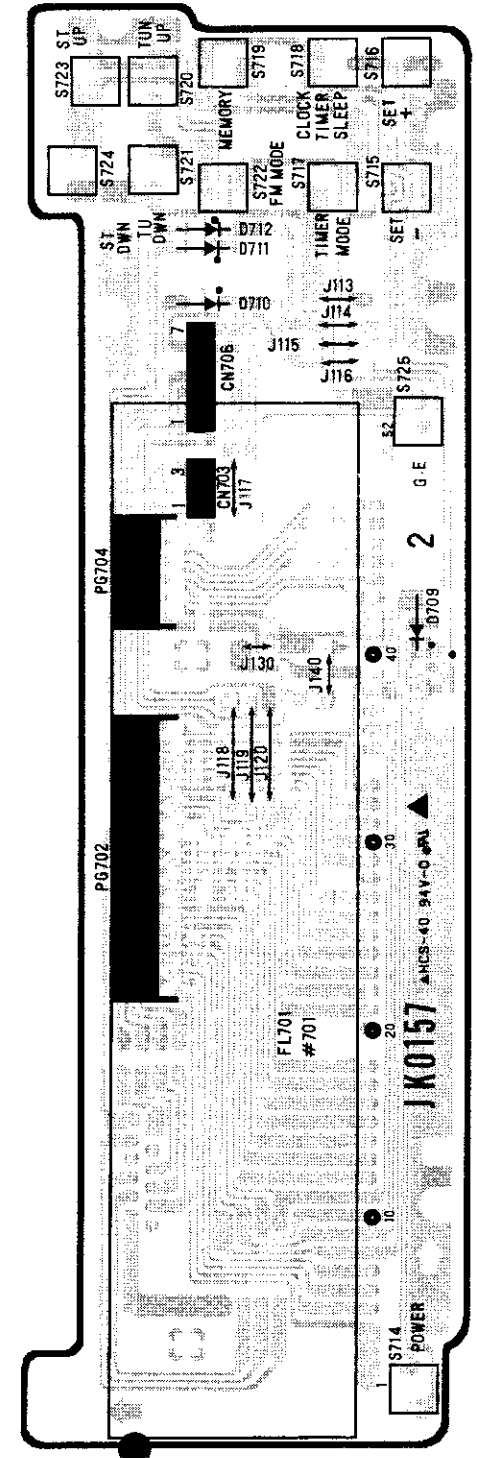
C

D

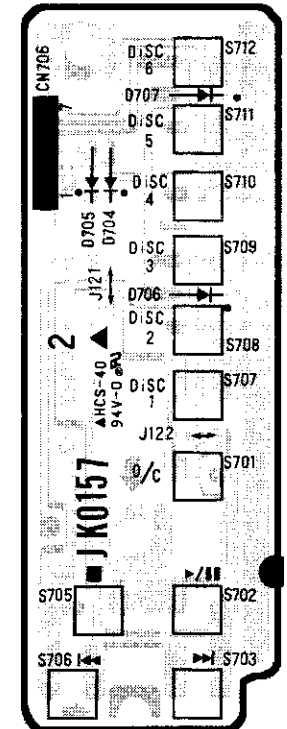
E



Display P.W.B.



KEY P.W.B.

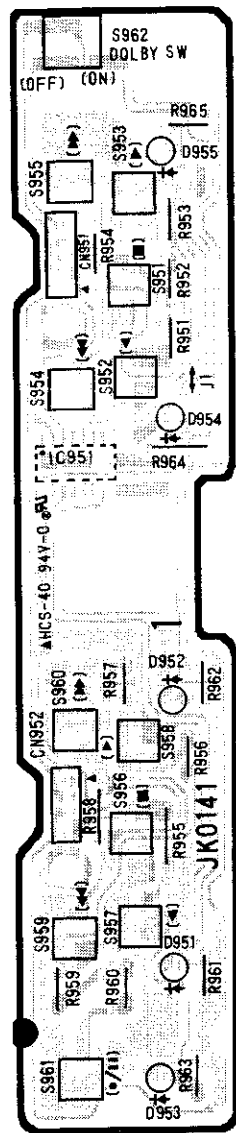


PRINTED WIRING BOARD

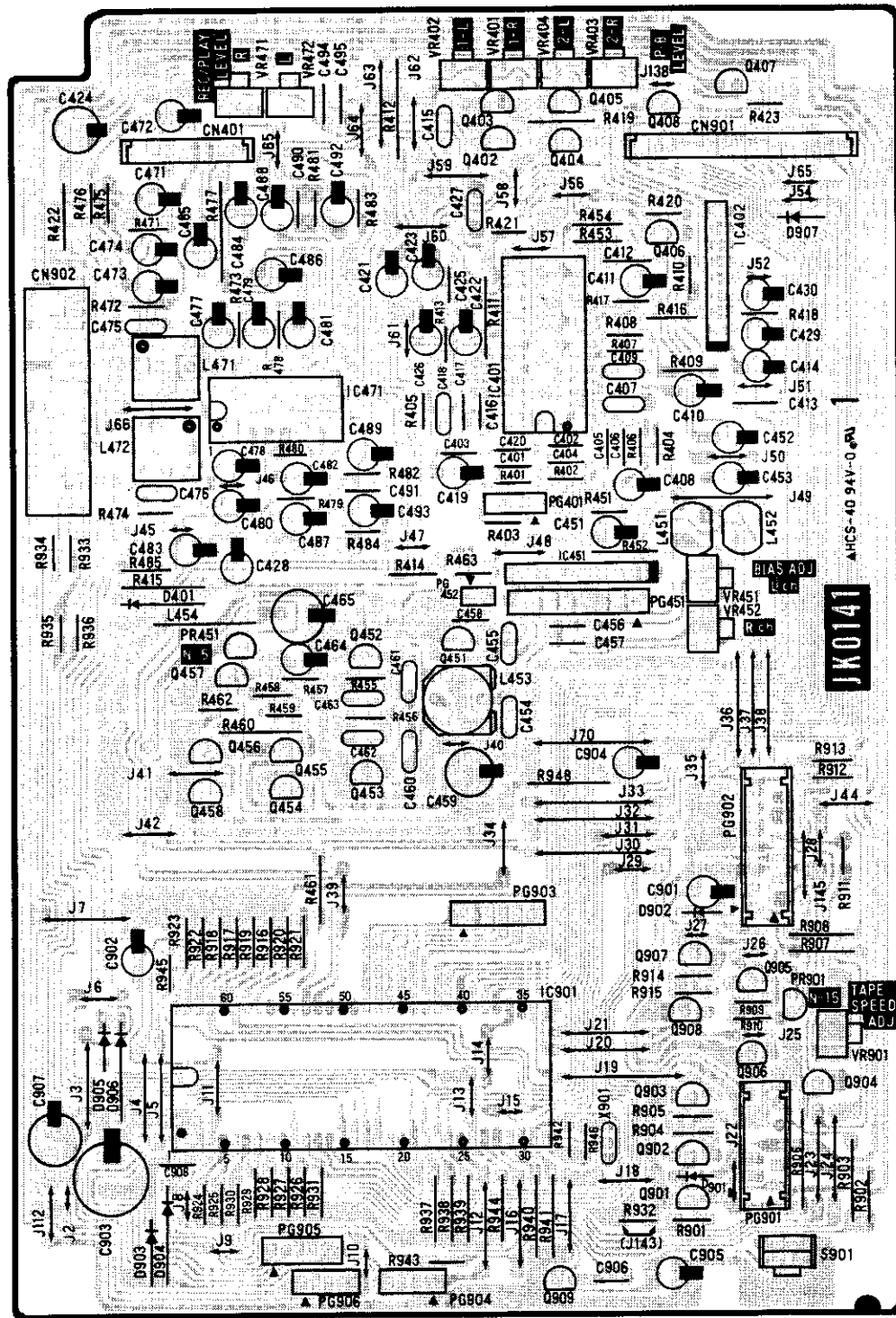
1 2 3 4 5 6 7 8

UPR-C30

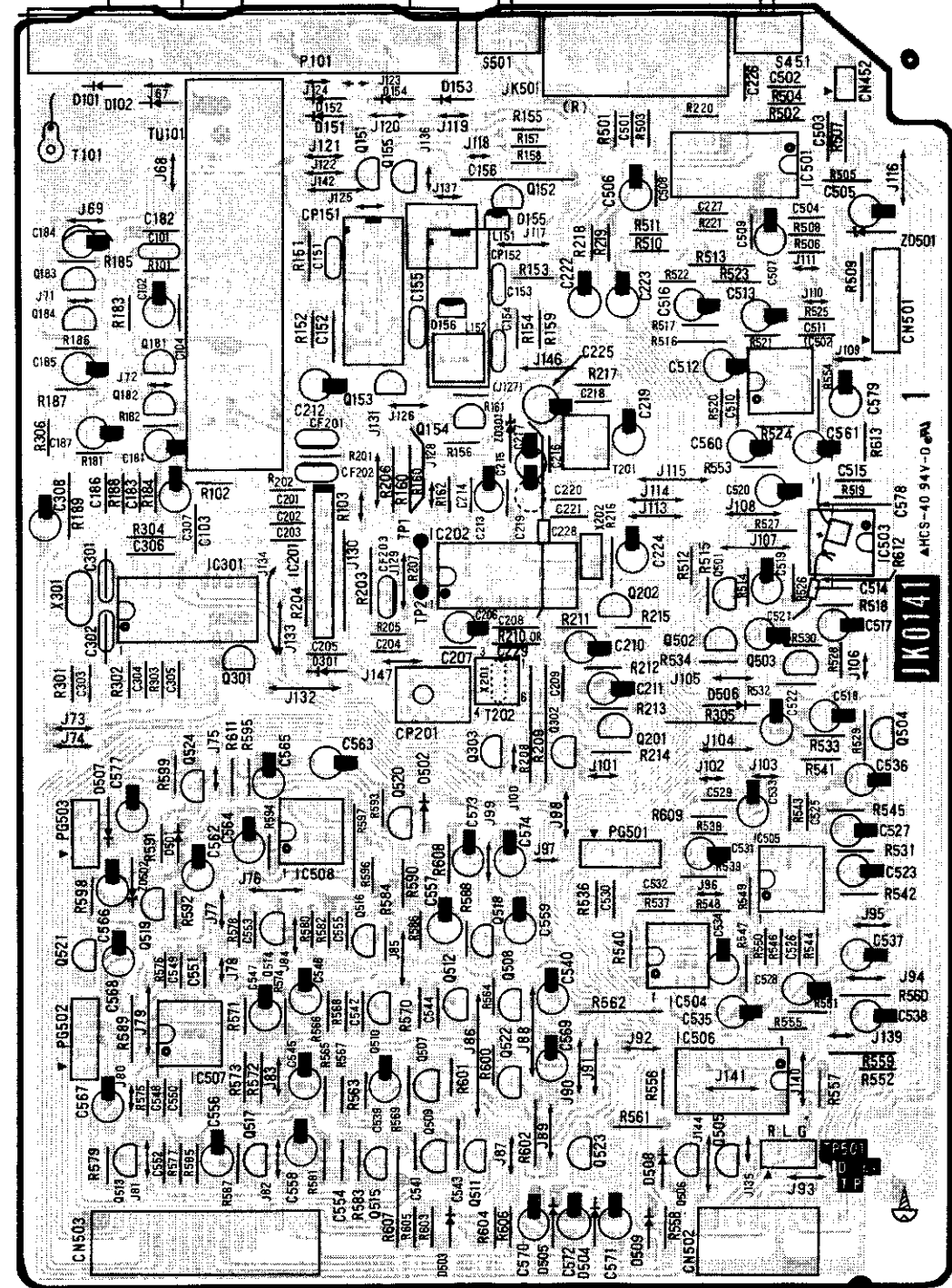
DECK KEY P.W.B.



TAPE P.W.B.



TUNER AUDIO P.W.B.



A
B
C
D
E

SCHEMATIC DIAGRAM

1 2 3 4 5 6 7 8

TUNER BLOCK [for E, E(BS), E(Z), W, W(UN), W(AU)]

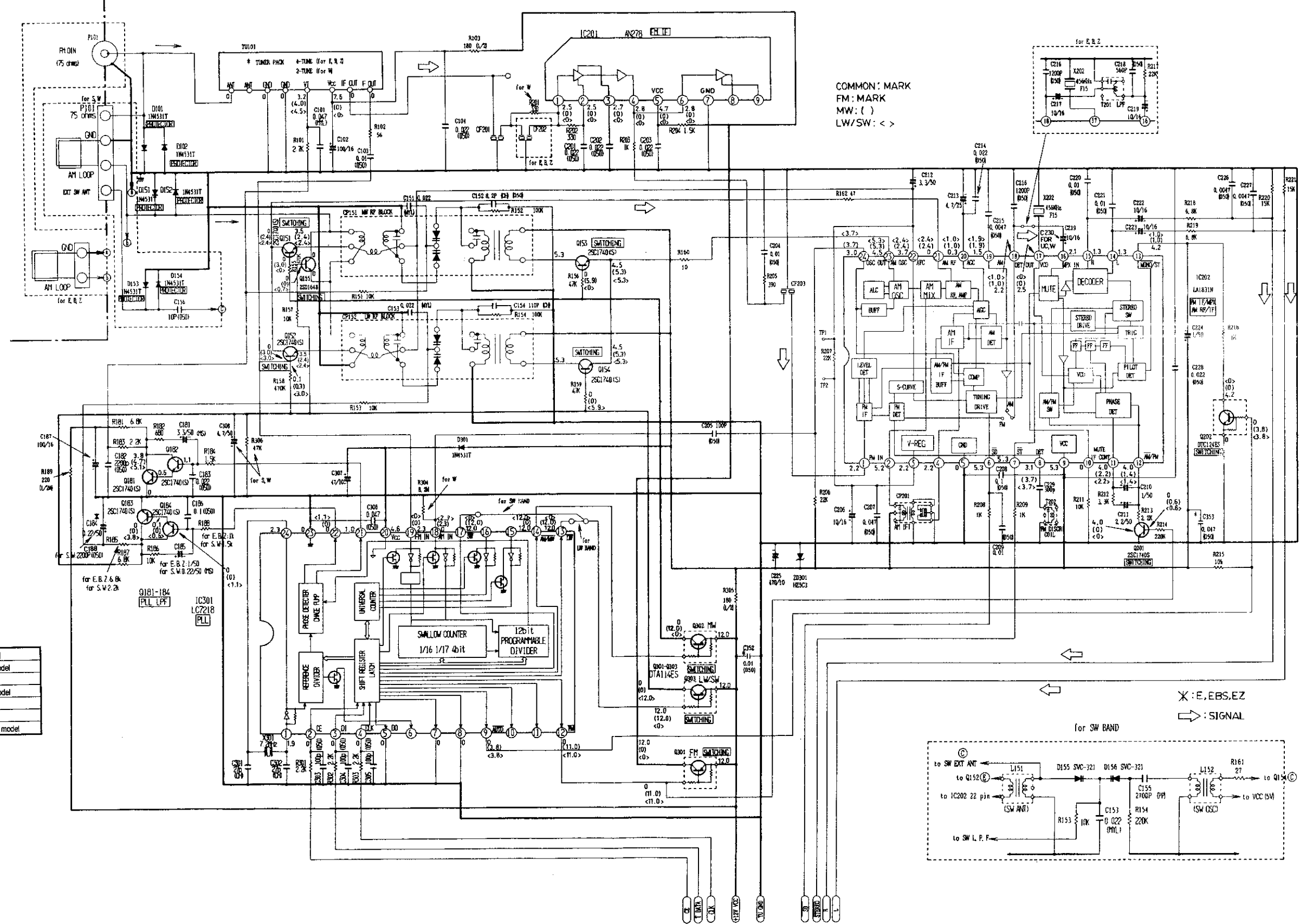
A

B

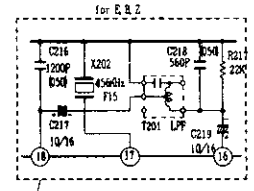
C

D

E

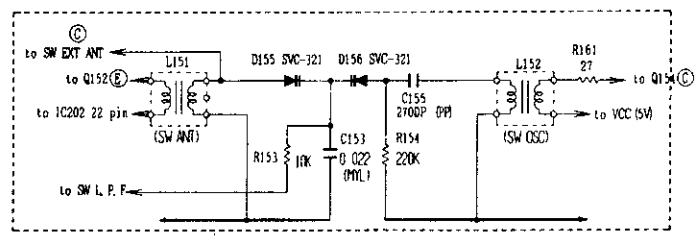


COMMON: MARK
 FM: MARK
 MW: ()
 LW/SW: < >



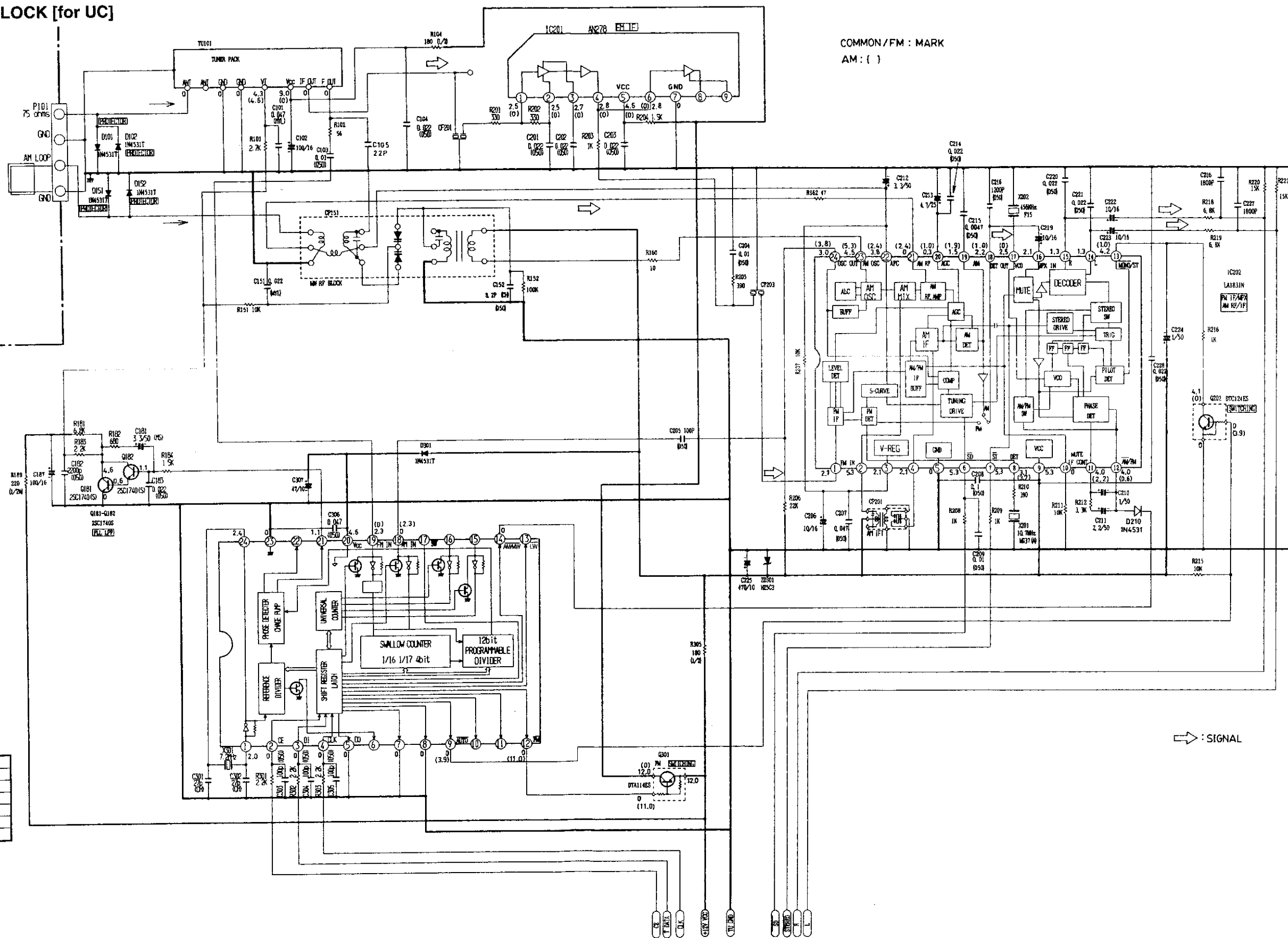
NOTE

UC	U.S.A. model
E	EUROPE model
E (BS)	U.K. model
E (Z)	EUROPE model
W	ASIA model
W (UN)	ASIA model
W (AU)	AUSTRALIA model



1 2 3 4 5 6 7 8

TUNER BLOCK [for UC]



NOTE

UC	U.S.A. model
E	EUROPE model
E (BS)	U.K. model
E (Z)	EUROPE model
W	ASIA model
W (UN)	ASIA model
W (AU)	AUSTRALIA model

A
B
C
D
E

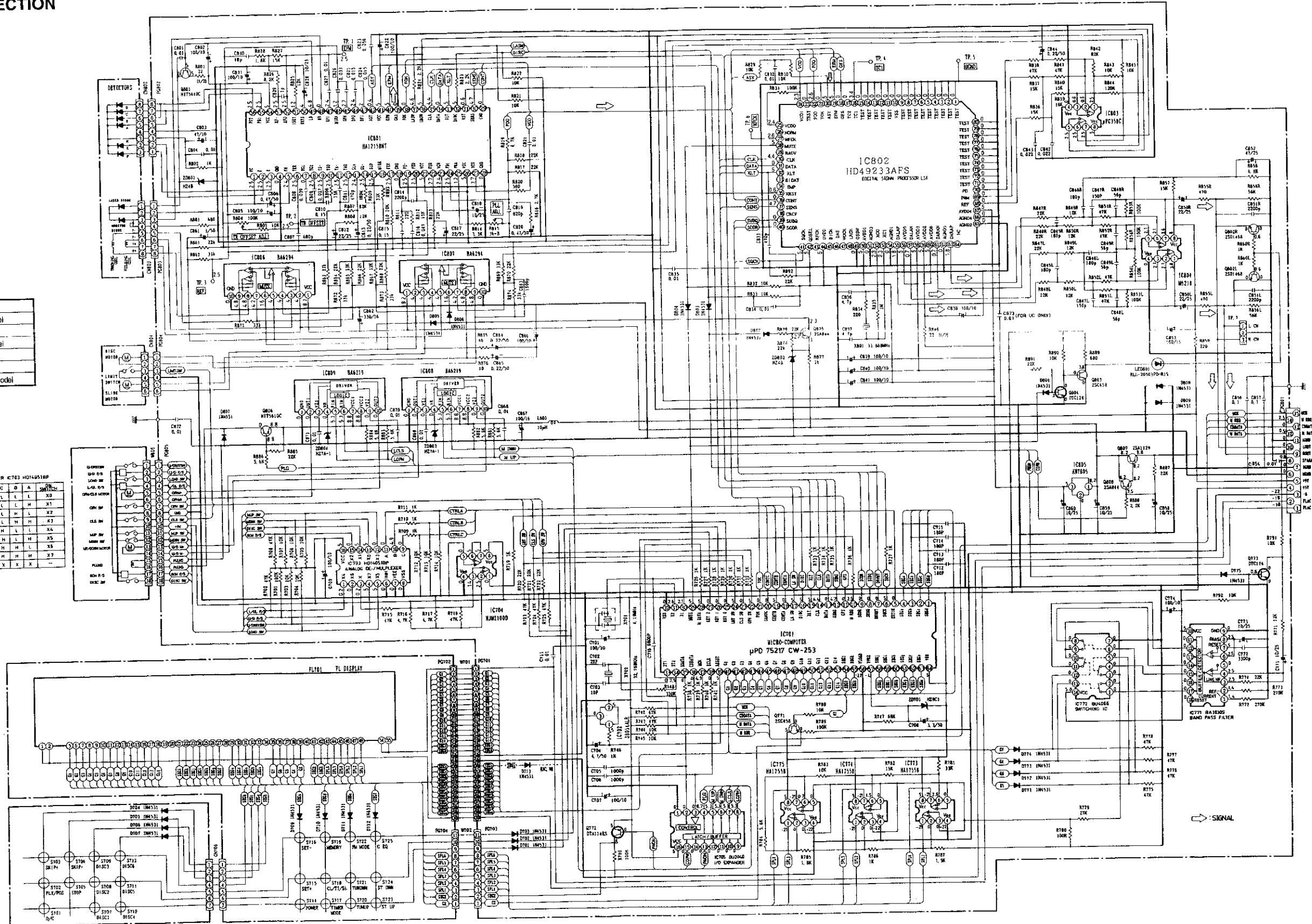
1 2 3 4 5 6 7 8
A
B
C
D
E
CDC SECTION

NOTE

UC	U.S.A. model
E	EUROPE model
E (BS)	U.K. model
E (Z)	EUROPE model
W	ASIA model
W (UN)	ASIA model
W (AU)	AUSTRALIA model

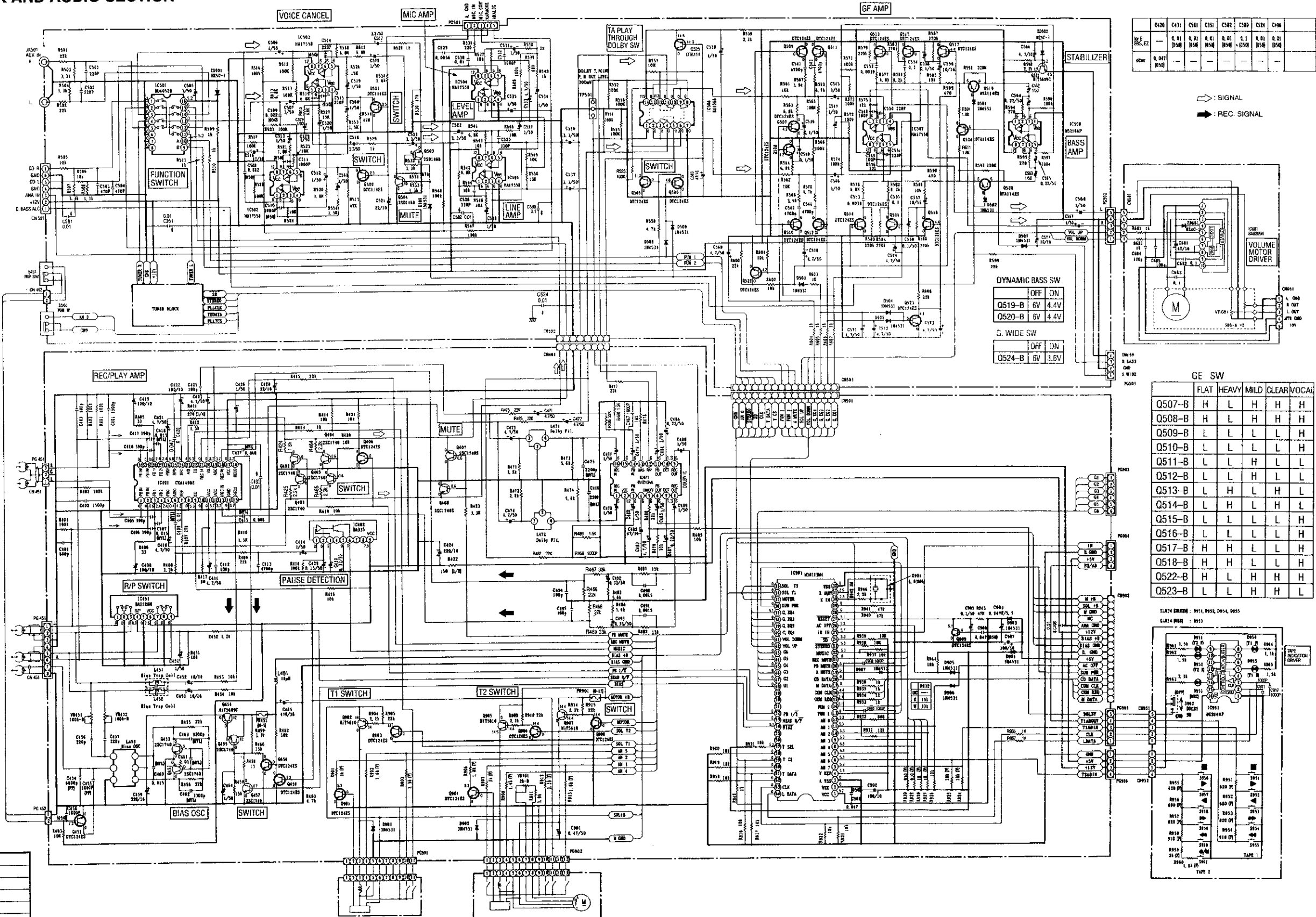
FOR C703 HD14518P

C	O	A	X
L	L	L	X
L	L	H	X
L	H	L	X
H	L	L	X
H	L	H	X
H	H	L	X
H	H	H	X
X	X	X	-



1 2 3 4 5 6 7 8

DECK AND AUDIO SECTION



C100	C101	C102	C103	C104	C105	C106	C107
0.01	0.01	0.01	0.01	0.01	0.01	0.01	0.01
0.01	0.01	0.01	0.01	0.01	0.01	0.01	0.01

→ SIGNAL
 ⇨ REC. SIGNAL

DYNAMIC BASS SW

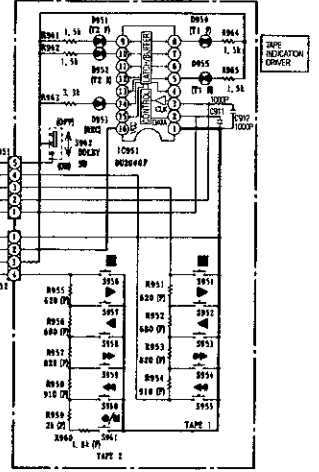
Q519-B	OFF	ON
Q520-B	OFF	ON

S. WIDE SW

Q524-B	OFF	ON
--------	-----	----

GE SW

	FLAT	HEAVY	MILD	CLEAR	VOCAL
Q507-B	H	L	H	H	H
Q508-B	H	L	H	H	H
Q509-B	L	L	L	L	L
Q510-B	L	L	L	L	L
Q511-B	L	L	H	L	L
Q512-B	L	L	H	L	L
Q513-B	L	L	H	L	L
Q514-B	L	H	L	H	L
Q515-B	L	L	L	L	H
Q516-B	L	L	L	L	H
Q517-B	H	H	L	L	H
Q518-B	H	H	L	L	H
Q522-B	H	L	H	H	H
Q523-B	L	L	H	H	L



NOTE

UC	U.S.A. model
E	EUROPE model
E (BS)	U.K. model
E (Z)	EUROPE model
W	ASIA model
W (UN)	ASIA model
W (AU)	AUSTRALIA model

A
B
C
D
E

POWER AND DISPLAY SECTION

A

B

C

D

E

1

2

3

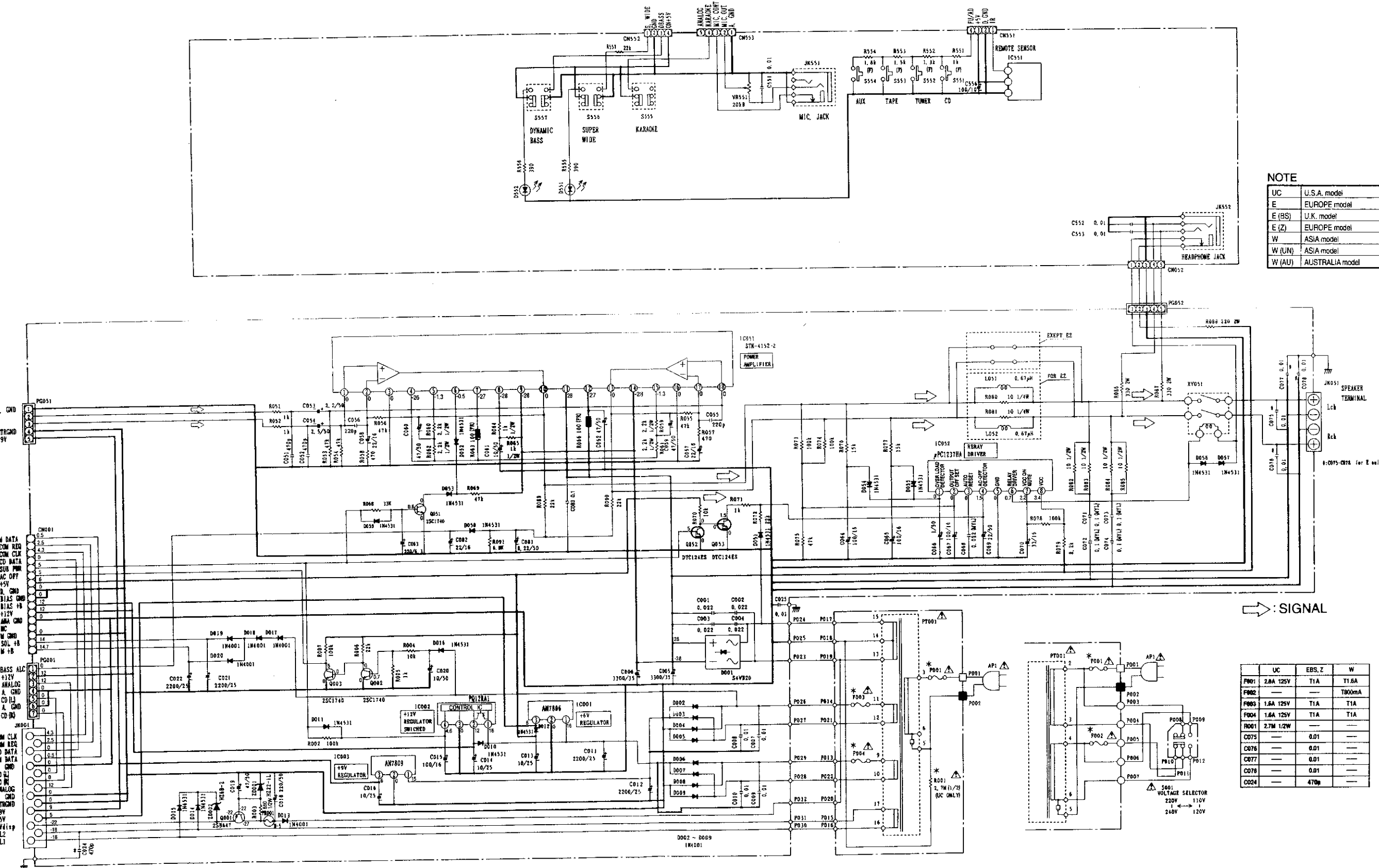
4

5

6

7

8



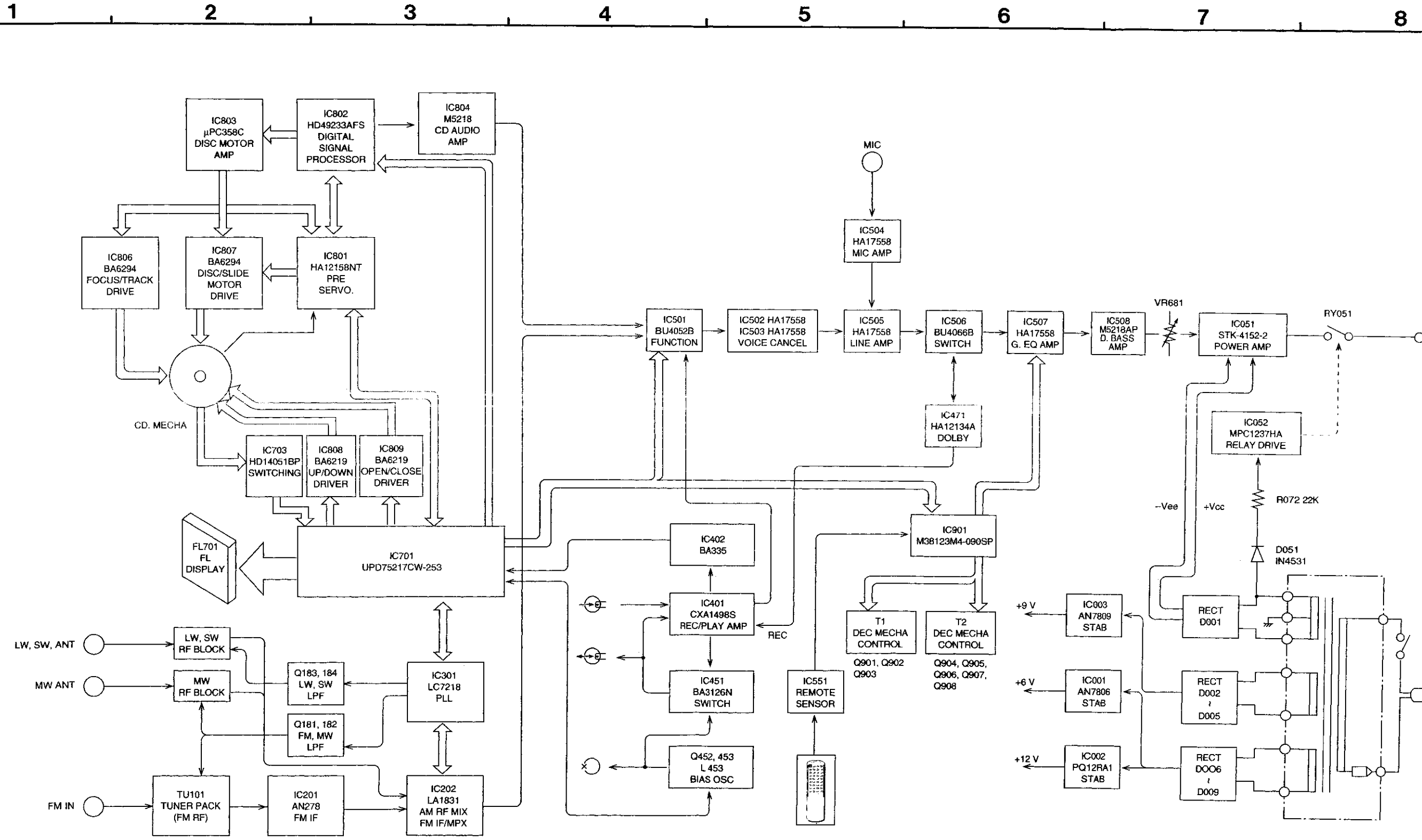
NOTE

UC	U.S.A. model
E	EUROPE model
E (BS)	U.K. model
E (Z)	EUROPE model
W	ASIA model
W (UN)	ASIA model
W (AU)	AUSTRALIA model

➔ : SIGNAL

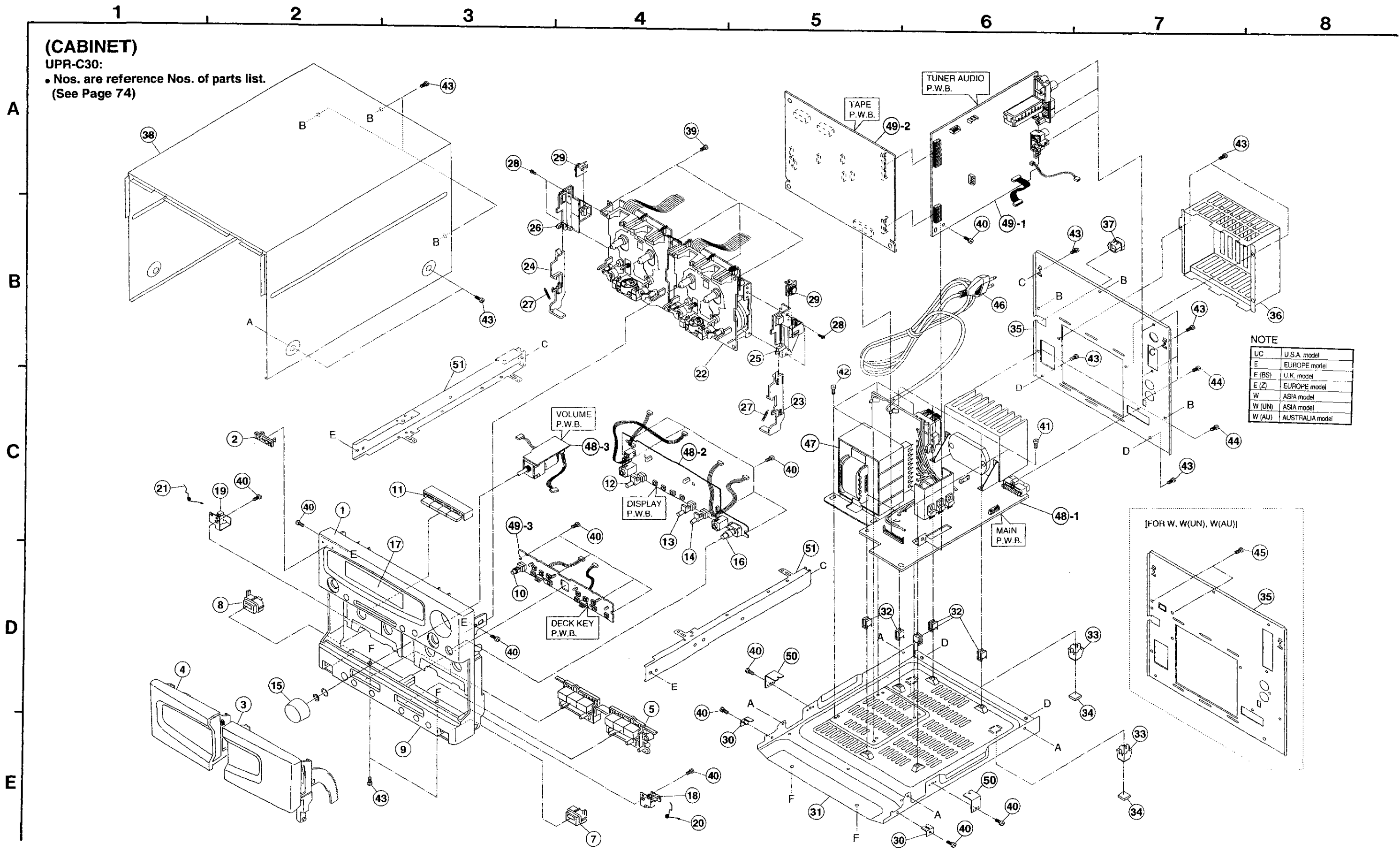
	UC	EBS, Z	W
F001	2.8A 125V	T1A	T1.5A
F002	—	—	T300mA
F003	1.5A 125V	T1A	T1A
F004	1.5A 125V	T1A	T1A
F005	2.7M 1/2W	—	—
C075	—	0.01	—
C076	—	0.01	—
C077	—	0.01	—
C078	—	0.01	—
C024	—	470n	—

BLOCK DIAGRAM



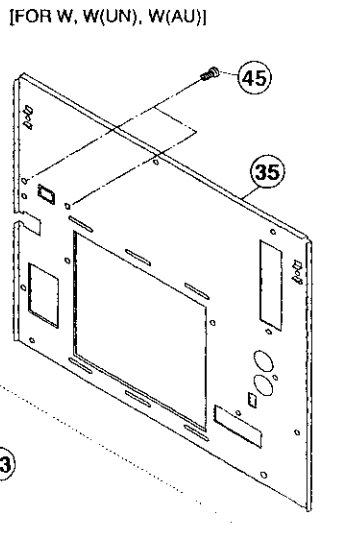
A
B
C
D
E

EXPLODED VIEW



NOTE

UC	U.S.A. model
E	EUROPE model
E (BS)	U.K. model
E (Z)	EUROPE model
W	ASIA model
W (UN)	ASIA model
W (AU)	AUSTRALIA model

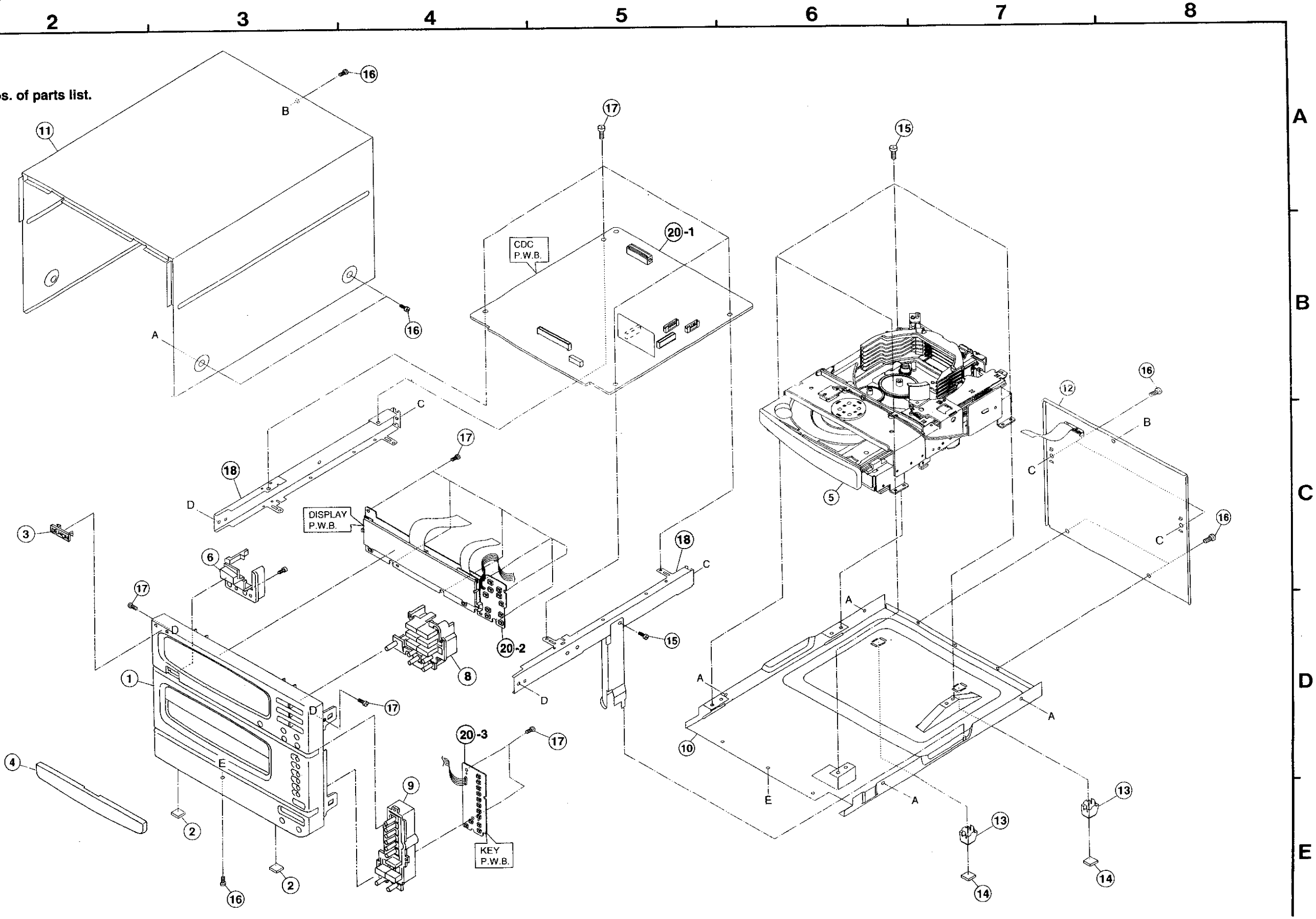


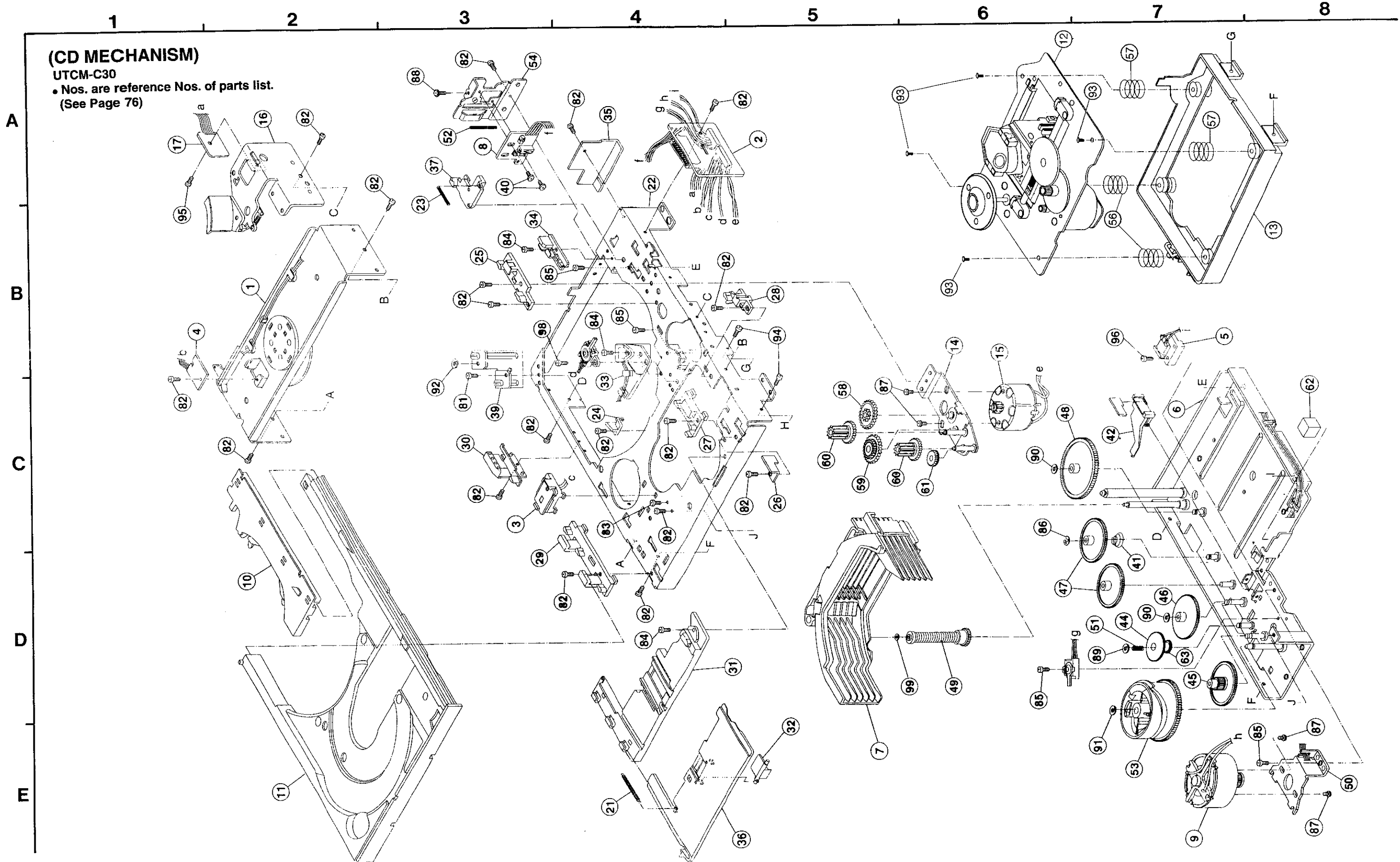
EXPLODED VIEW

(CABINET)

UTCM-C30:

• Nos. are reference Nos. of parts list.
(See Page 75)

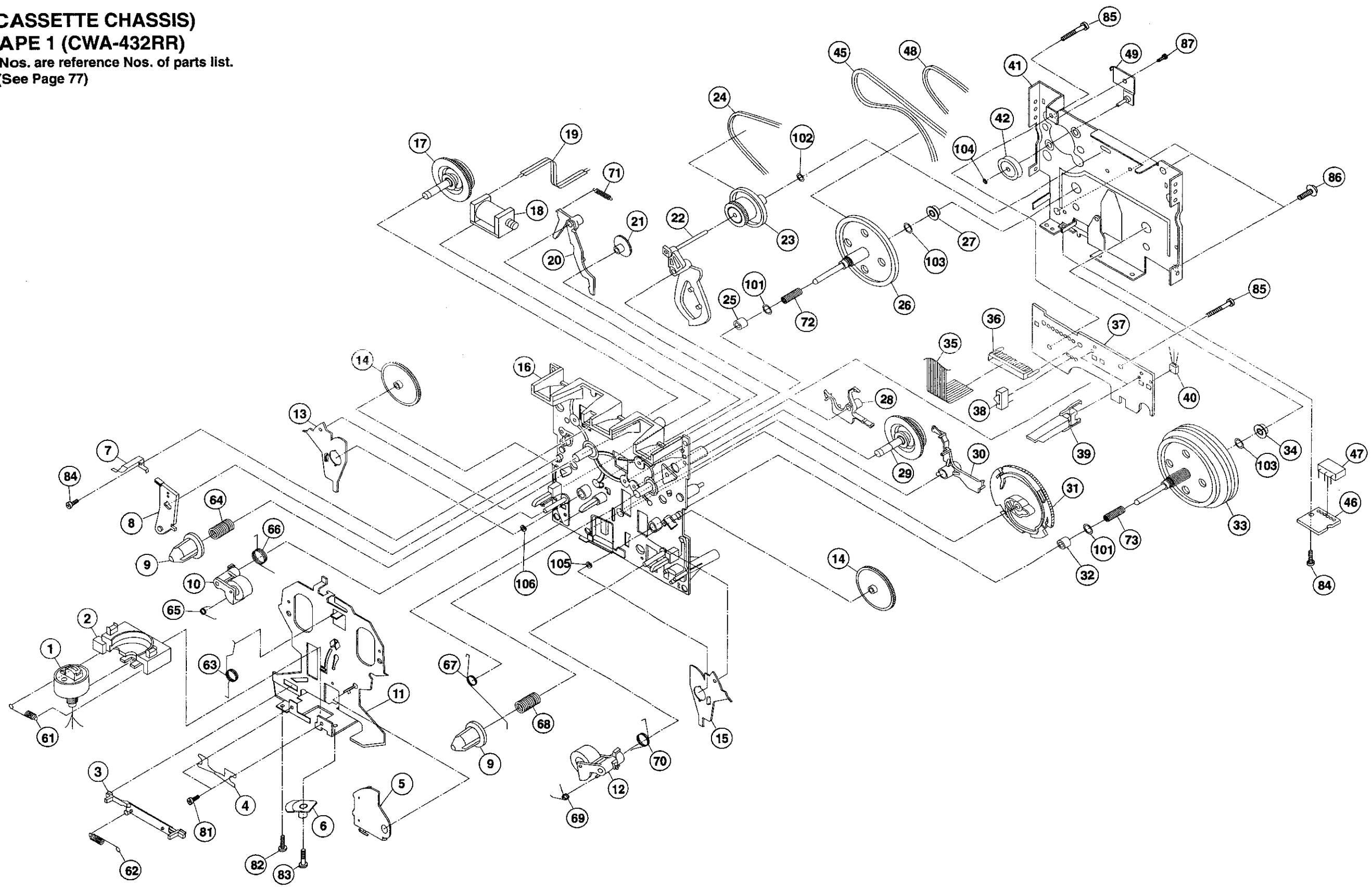




1 2 3 4 5 6 7 8

(CASSETTE CHASSIS)
TAPE 1 (CWA-432RR)

• Nos. are reference Nos. of parts list.
(See Page 77)



A

B

C

D

E

1 2 3 4 5 6 7 8

**(CASSETTE CHASSIS)
TAPE 2 (CWA-432RR)**

• Nos. are reference Nos. of parts list.
(See Page 77)

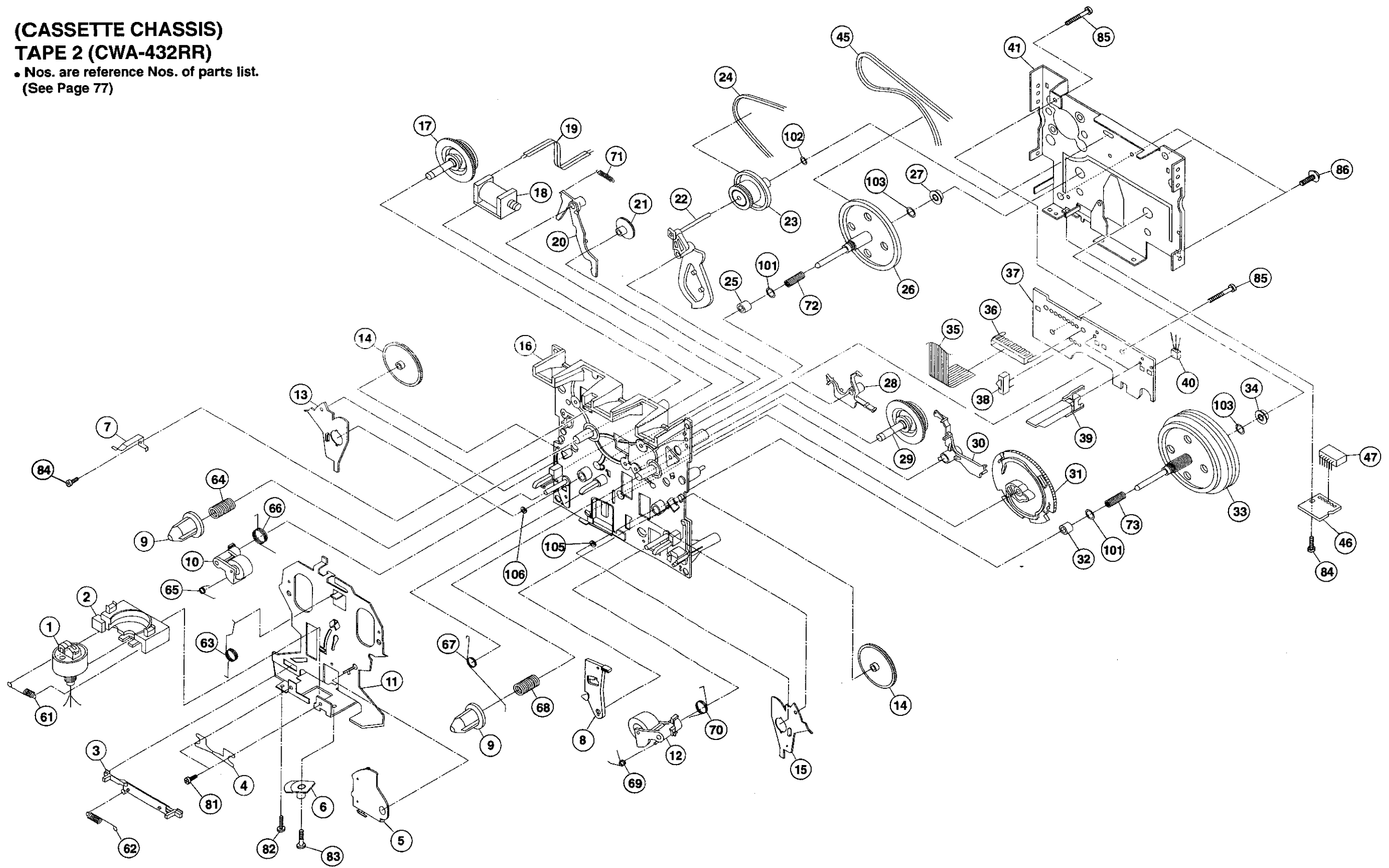
A

B

C

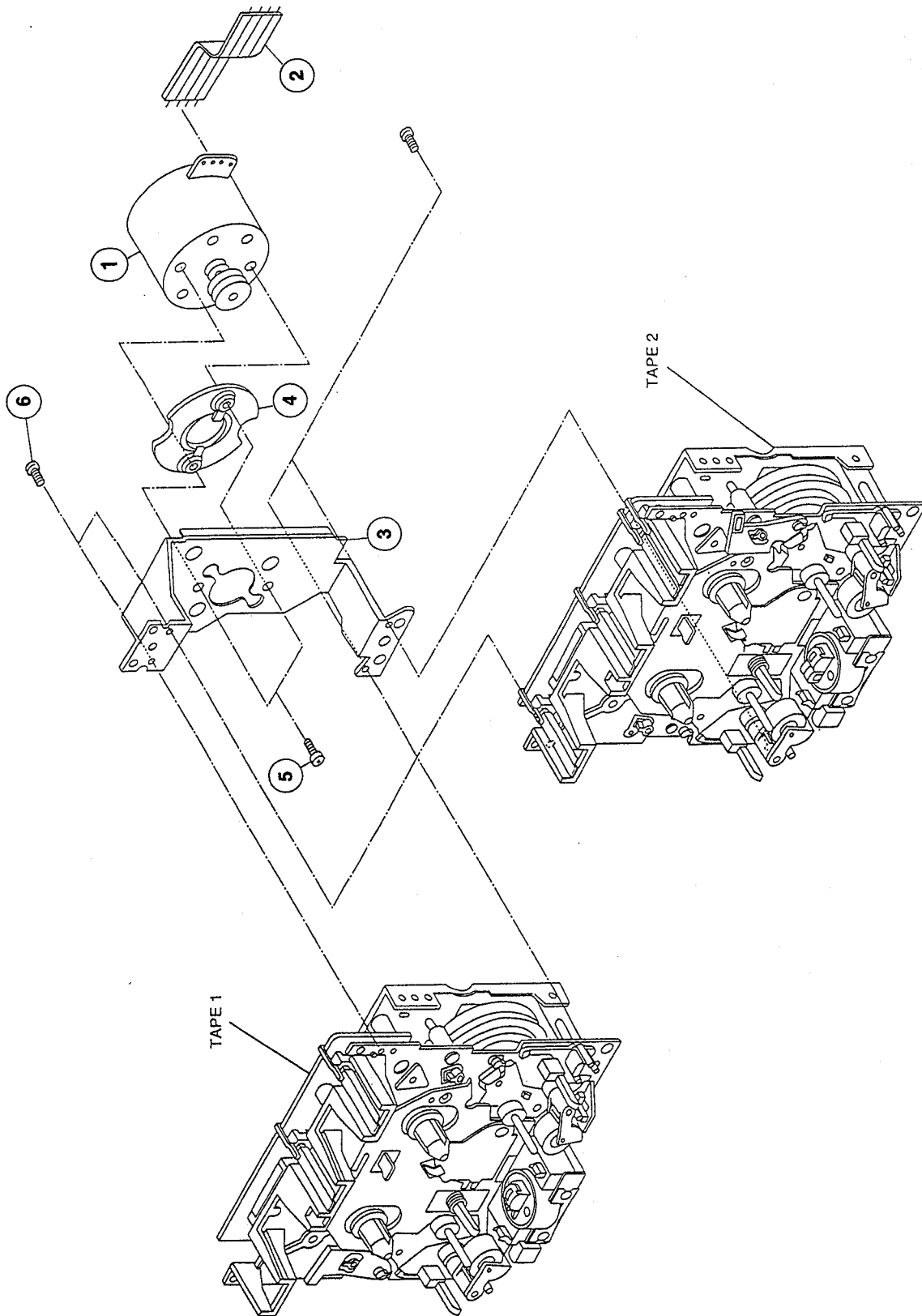
D

E



(DECK MECHANISM) TAPE 1 & 2 (CWA-432RR)

• Nos. are reference Nos. of parts list.
(See Page 77)



SEMICONDUCTORS

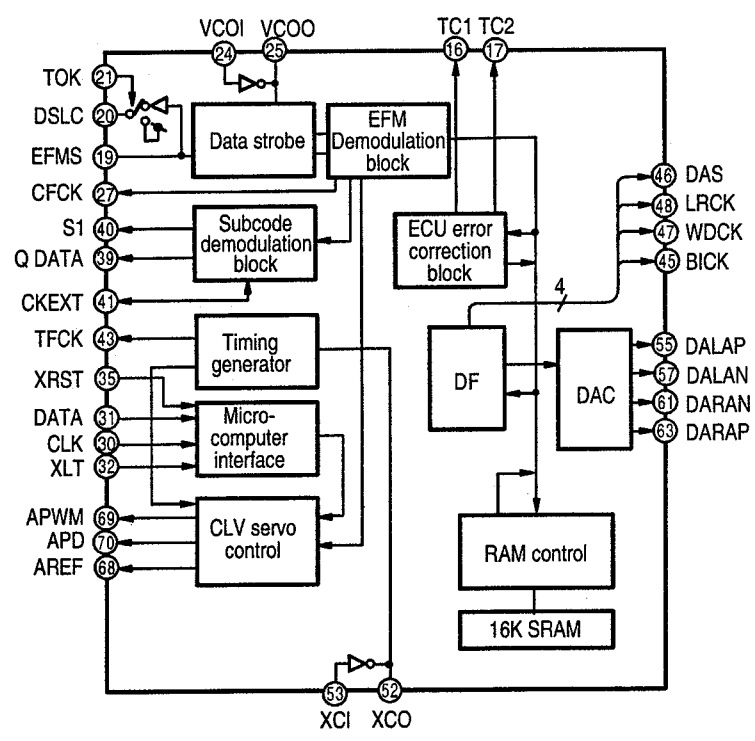
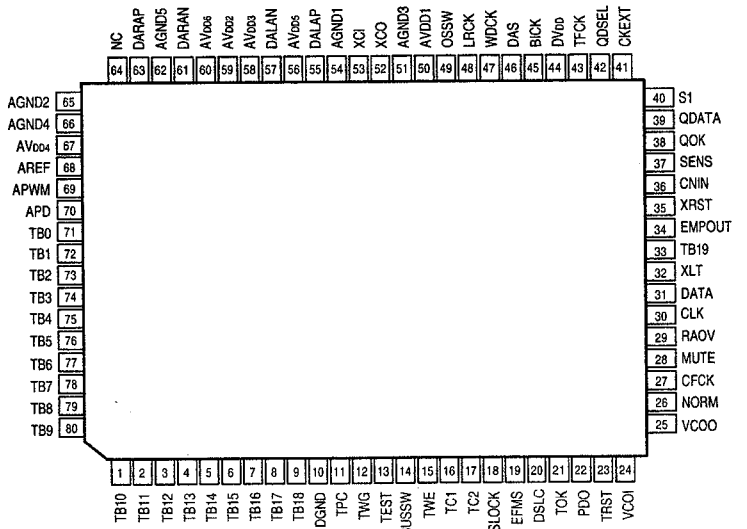
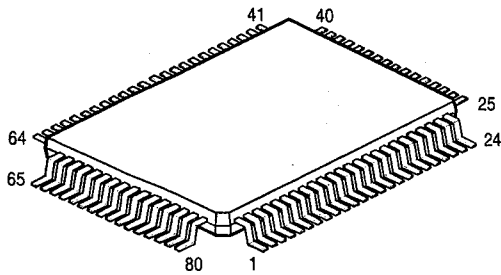
● IC's

Note: Indications before IC numbers denote P.W.B. name.

UTM: CDC P.W.B. Unit

UPR: AUDIO P.W.B. Unit

HD49233AFS (UTCM: IC802)

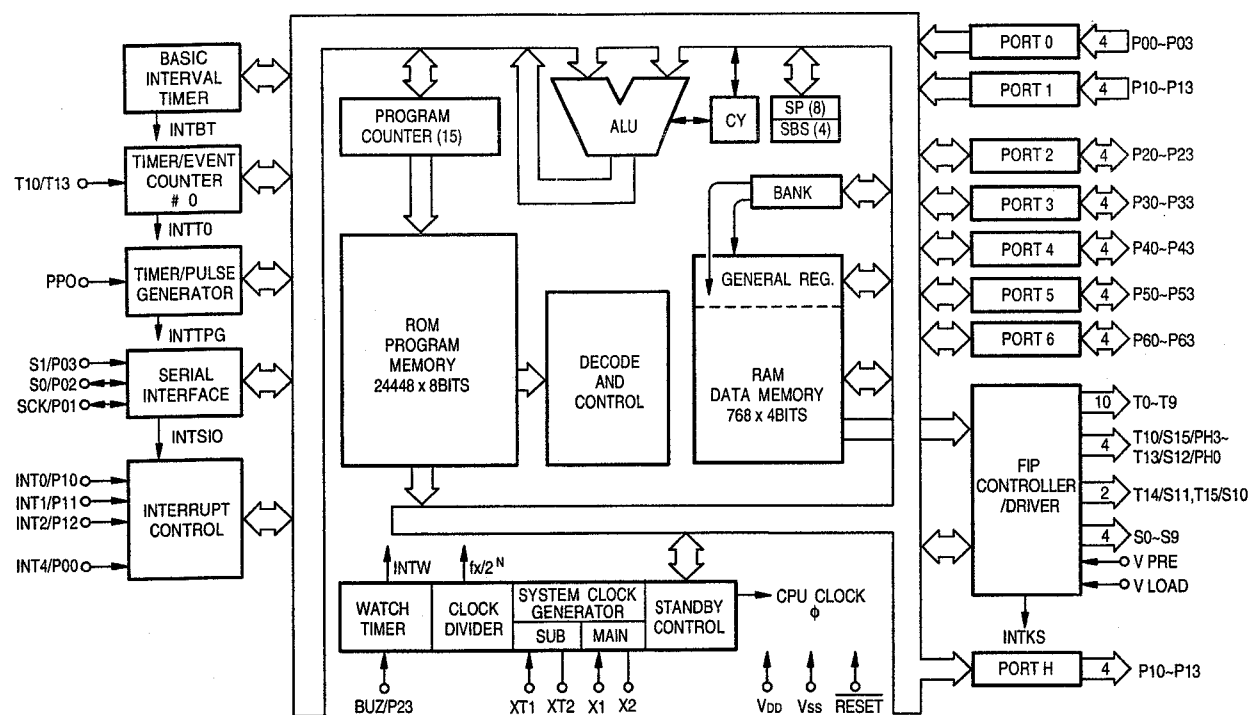
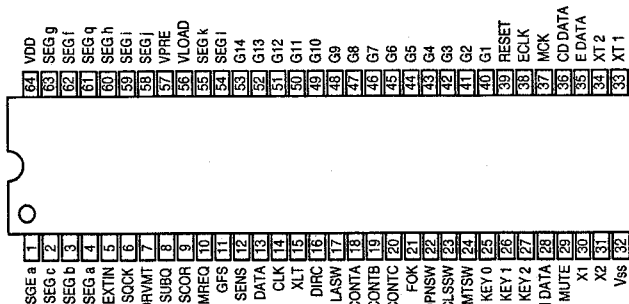
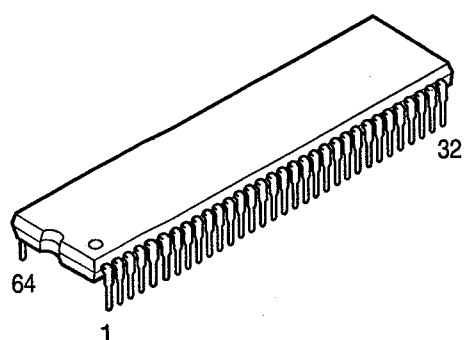


HD49233AFS Terminal Function

Pin No.	Symbol	I/O	Function
1	TB10	—	Test pins (Connect to either GND or V _{DD} in normal use).
2	TB11	—	
3	TB12	—	
4	TB13	—	
5	TB14	—	
6	TB15	—	
7	TB16	—	
8	TB17	—	
9	TB18	—	
10	DGND	—	Digital ground.
11	TPC	—	Test pins (Connect to either GND or V _{DD} in normal use.)
12	TWG	—	
13	TEST	—	Test pins (Connect to GND in normal use.)
14	BUSSW	—	
15	TWE	—	Test pins (Connect to either GND or V _{DD} in normal use.)
16	TC1	O	C1 error detection flag output (A 7.35 kHz signal is output on all errors.)
17	TC2	O	C2 correction impossible detection flag output.
18	SLOCK	O	Output indicating stable sync detection or no sync detection (High means detection OK.)
19	EFMS	I	EFM signal input.
20	DSLCL	O	Data slice level control output.
21	TOK	O	LOW → DSLCL loop on, high → DSLCL loop off.
22	PDO	O	Analog PLL phase comparison output.
23	TRST	—	Test pin (Connect to GND in normal use.)
24	VCOI	I	VCO oscillator inverter input.
25	CCOO	O	VCO oscillator inverter output.
26	NORM	O	A flag output that indicates rough/fine servo operation of the disk rotation servo (High indicates fine operation.)
27	CFCK	O	Clock output for Q data acquisition.
28	MUTE	I	Data mute input.
29	RAOV	O	RAM overflow flag output (High indicates overflow detection.)
30	CLK	I	Microcomputer command reception acquisition clock input (read on a rising edge).
31	DATA	I	Microcomputer command input pin.
32	XLT	I	Microcomputer command enable input pin (command enable on low).
33	TB19	—	Test pin (Leave open in normal use).
34	EMPOUT	O	Deemphasis signal detection output (audio with preemphasis on high).
35	XRST	I	Microcomputer command register reset input (reset on low).
36	CNIN	I	Clock input for track counting.
37	SENS	O	Track counter output (three-state output).
38	QOK	O	Q code CRC computation result output (OK on high).
39	QDATA	O	Q code data output.
40	S1	O	Sub-code synchronization pulse output.
41	CKEXT	O	Q code read-in clock signal (in Q code buffer mode)/Q code synchronization clock output (Q code internal synchronization mode).
42	QDSEL	O	Q code buffer mode/internal synchronization mode select (Q code buffer mode when high).
43	TFCK	O	Frame clock output generated from the crystal system clock (7.35 kHz).
44	DV _{DD}	—	Digital V _{DD} .
45	BICK	O	External D/A clock output.
46	DAS	O	External D/A data output.
47	WDCK	O	External D/A word clock output.
48	LRCK	O	External D/A L/R ch output (176.4 kHz output, L channel output during low output).
49	OSSW	I	1-bit D/A converter overflow switching input (Connect to GND).
50	AV _{DD1}	—	Analog V _{DD} .
51	AGND3	—	Analog ground.
52	XCO	O	X'tal oscillator inverter output.
53	XCI	I	X'tal oscillator inverter input.
54	AGND1	—	Analog ground.
55	DALAP	O	DAC differential + output.
56	AV _{DD5}	—	Analog V _{DD} .

Pin No.	Symbol	I/O	Function
57	DALAN	O	DAC differential - output.
58	AV _{DD3}	—	Analog V _{DD} .
59	AV _{DD2}	—	
60	AV _{DD6}	—	
61	DARAN	O	DAC differential - output.
62	AGND5	—	Analog ground.
63	DARAP	O	DAC differential + output.
64	NC	—	Unused (Connect to the analog GND).
65	AGND2	—	Analog Ground.
66	AGND4	—	
67	AV _{DD4}	—	Analog V _{DD} .
68	AREF	O	CLV servo reference level control output (3.2 kohm output resistor built in).
69	APWM	O	CLV servo speed control output (3.2kohm output resistor built in).
70	APD	O	CLV servo phase comparison output (6.2 kohm output resistor built in).
71	TB0	—	Test pins (Connect to either GND or V _{DD} in normal use.)
72	TB1	—	
73	TB2	—	
74	TB3	—	
75	TB4	—	
76	TB5	—	
77	TB6	—	
78	TB7	—	
79	TB8	—	
80	TB9	—	

μPD75217CW-253
(UTCM: IC701)

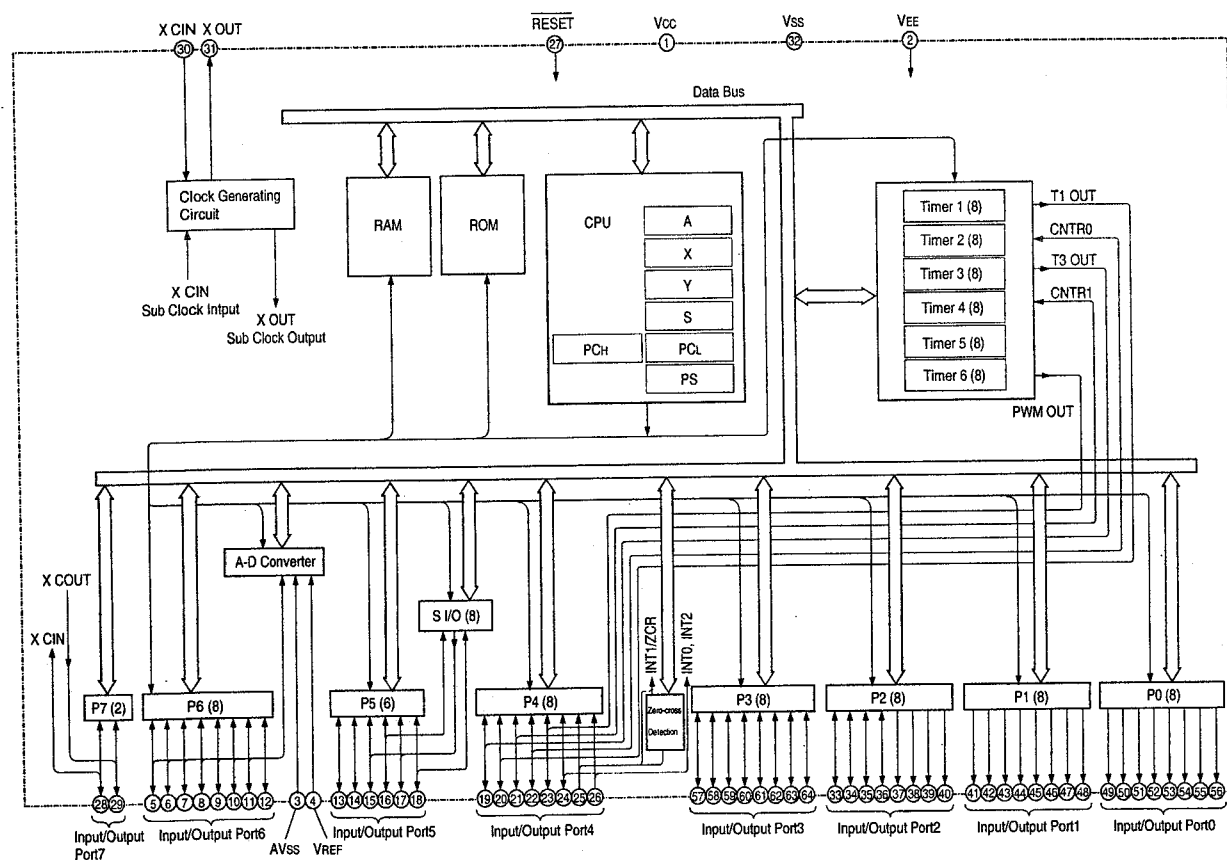
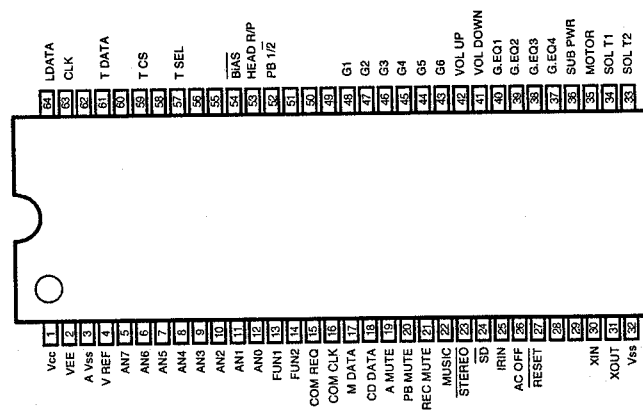
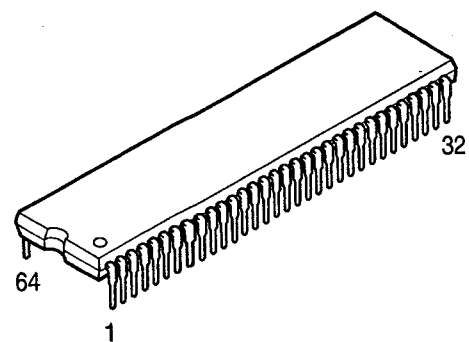


μPD75217CW-253 Terminal Function

Pin No.	Symbol	Name	I/O	Function
1	SEGd	S3	O	FL tube detecting segment d output.
2	SEGe	S2	O	FL tube detecting segment c output.
3	SEGb	S1	O	FL tube detecting segment b output.
4	SEGa	S0	O	FL tube detecting segment a output.
5	EXT-IN	P00/INT4	I	Extend IC common input terminal (change SW input).
6	SQCK	P01/SCK	O	Clock signal for reading sub-code Q data to signal processing IC (H at normal).
7	DRVMT	P02/SO	I/O	Mute output to CD motor drive.
8	SUBQ	P03/SI	I	Sub-code Q data from signal processing IC (including CRCF).
9	SCOR	P10/INT4	I	Sub-code sync signal from signal processing IC.
10	COMREQ	P11/INT1	I	Communication request signal from deck microcomputer.

Pin No.	Symbol	Name	I/O	Function
11	GFS	P12/INT2	I	Rotating sync signal from signal processing IC (H at OK).
12	SENS	P13/TI0	I	SENS signal from pre-servo IC or signal processing IC.
13	DATA	P20	O	Data signal to pre-servo IC or signal processing IC.
14	CLK	P21	O	Data clock signal to pre-servo IC or signal processing IC (H at normal).
15	XLT	P22	O	Data latch signal to pre-servo IC or signal processing IC (H at normal).
16	DIRC	P23	O	1TR jump control signal to pre-servo IC (H at normal, L at JMP).
17	LAŠW	P30	O	Laser output signal to pre-servo IC (H at OFF, L at ON).
18	CTRL-A	P31	O	Input extend IC control signal.
19	CTRL-B	P32	O	Input extend IC control signal.
20	CTRL-C	P33	O	Input extend IC control signal.
21	FOK	P60	I	FOK (Focus OK) signal from pre-servo IC (H at OK).
22	OPNSW	P61	I	CD Mech. tray open signal (L at ON).
23	CLSSW	P62	I	CD Mech. tray close signal (L at ON).
24	LMTSW	P63	I	CD Mech. pick inner circle detection SW signal (L at inner circle).
25	KEY0	P40	I	Tact key, selection SW input.
26	KEY1	P41	I	Tact key, selection SW input.
27	KEY2	P42	I	Tact key, selection SW input.
28	MDATA	P43	I	Command data signal from deck microcomputer.
29	MUTE/MUTG	PP0	O	CD audio mute/IC mute signal.
30	X1	X1	—	Main system clock oscillator terminal (4.19 MHz ceramic oscillator).
31	X2	X2	—	Main system clock oscillator terminal (4.19 MHz ceramic oscillator).
32	Vss	Vss	—	Ground terminal.
33	XT1	XT1	—	Sub-system clock oscillator terminal. (32.768KHz crystal oscillator).
34	XT2	XT2	—	Sub-system clock oscillator terminal. (32.768KHz crystal oscillator).
35	E-DATA	P50	O	Data signal to output extend IC.
36	CDDATA	P51	O	CD status data signal to deck microcomputer.
37	COMCLK	P52	O	CD status data signal to deck microcomputer.
38	E-CLK	P53	O	Clock signal to output extend IC.
39	RESET	RESET	—	Microcomputer system reset terminal (L at reset).
40	G1	T0	O	FL tube detecting grid G1 output.
41	G2	T1	O	FL tube detecting grid G2 output.
42	G3	T2	O	FL tube detecting grid G3 output.
43	G4	T3	O	FL tube detecting grid G4 output.
44	G5	T4	O	FL tube detecting grid G5 output.
45	G6	T5	O	FL tube detecting grid G6 output.
46	G7	T6	O	FL tube detecting grid G7 output.
47	G8	T7	O	FL tube detecting grid G8 output.
48	G9	T8	O	FL tube detecting grid G9 output.
49	G10	T9	O	FL tube detecting grid G10 output.
50	G11	T10/S15/PH3	O	FL tube detecting grid G11 output.
51	G12	T11/S14/PH2	O	FL tube detecting grid G12 output.
52	G13	T12/S13/PH1	O	FL tube detecting grid G13 output.
53	G14	T13/S14/PH0	O	FL tube detecting grid G14 output.
54	SFGI	T14/S11	O	FL tube detecting segment I output.
55	SEGk	T15/S10	O	FL tube detecting segment k output.
56	VLOAD	VLOAD	O	FL tube detection drive output buffer power supply terminal.
57	VPRE	VPRE	O	FL tube detection drive pull down resistor connecting terminal.
58	SEGj	S9	O	FL tube detecting segment j output.
59	SEGi	S8	O	FL tube detecting segment i output.
60	SEGh	S7	O	FL tube detecting segment h output.
61	SEGg	S6	O	FL tube detecting segment g output.
62	SEGf	S5	O	FL tube detecting segment f output.
63	SEGe	S4	O	FL tube detecting segment e output.
64	VDD	VDD	—	Power supply terminal (+5V).

M38123M4-090SP
(UPR: IC901)

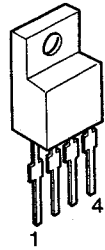


M38123M4-090SP Terminal Function

Pin No.	Symbol	Name	I/O	Function
1	Vcc	Vcc	—	Power supply, connect to +5V.
2	VEE	VEE	—	Pull down power supply, connect to GND.
3	AVss	AVss	—	Analog power supply, connect to GND.
4	VREF	VREF	—	Reference voltage (A/D converter reference voltage), connect to +5V.
5	AN7	P67/AN7	I	TAPE 1, operation key input.
6	AN6	P66/AN6	I	TAPE 2, operation key input.
7	AN5	P65/AN5	I	TAPE 1 mechanism mode switch detection signal.
8	AN4	P64/AN4	I	TAPE 2 mechanism mode switch detection signal.
9	AN3	P63/AN3	I	TAPE 2 FWD, RVS record protecting switch detection signal.
10	AN2	P62/AN2	I	TAPE 1, 2 reel pulse detection signal.

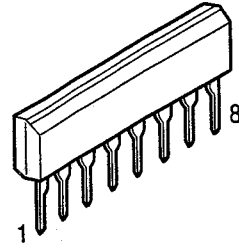
Pin No.	Symbol	Name	I/O	Function
11	AN1	P61/AN1	I	TAPE 1, 2 CrO2 switch and AC OFF detection signal.
12	AN0	P60/AN0	I	Tuner local detection signal.
13	FUNC-A	P55	O	Output port for function IC (BU4052B).
14	FUNC-B	P54	O	Output port for function IC (BU4052B).
15	COM REQ	P53/SRDY	O	Request output signal for communicating between microcomputer and CD μ-com.
16	COM CLK	P52/SCLK	I	Clock input signal for communicating between microcomputer and CD μ-com.
17	M DATA	P51/SOUT	O	Data output signal for communicating between microcomputer and CD μ-com.
18	CD DATA	P50/SIN	I	Data input signal for communicating between microcomputer and CD μ-com.
19	A MUTE	P47/T3OUT	O	AMP audio output mute signal (H: Mute ON, L: Mute OFF).
20	PB MUTE	P46/T1OUT	O	Tape playback AMP output mute signal (H: Mute ON, L: Mute OFF).
21	REC MUTE	P45/CNTR1	O	Tape record mute signal (H: Mute OFF, L: Mute ON).
22	MUSIC	P44/CNTR0	I	Tape tune detection input signal (H: tune existing, L: tune interval).
23	STEREO	P43/PWM	I	Tuner stereo broadcasting detection input signal (H: monaural broadcasting receive, L: stereo broadcasting receive).
24	SD	P42/INT2	I	Tuner detection input signal (H: Receive, L: No receive).
25	IR IN	P41/INT1/ZCR	I	IR (Remote control) input signal.
26	PWRDWN	P40/INT0	I	Power Down (AC OFF) input signal.
27	RESET	RESET	—	Reset input signal, microcomputer system reset terminal.
28	—	P71/XCIN	—	Not used (pull down).
29	—	P70/XOUT	—	Not used (pull down).
30	XIN	XIN	—	Clock input signal, connect to 4MHz X'tal.
31	XOUT	XOUT	—	Clock input signal, connect to 4MHz X'tal.
32	Vss	Vss	—	Power supply, connect to GND.
33	SOL 2	P27	O	TAPE 2, SOL output signal (H: SOL ON, L: SOL OFF).
34	SOL 1	P26	O	TAPE 1, SOL output signal (H: SOL ON, L: SOL OFF).
35	MOTOR	P25	O	TAPE 1/2 motor output signal (H: Motor ON, L: Motor OFF).
36	SUB.PWR	P24	O	Power ON/OFF output signal (H: Power ON, L: Power OFF).
37	GEQ-4	P23	O	Graphic equalizer circuit control output signal.
38	GEQ-3	P22	O	Graphic equalizer circuit control output signal.
39	GEQ-2	P21	O	Graphic equalizer circuit control output signal.
40	GEQ-1	P20	O	Graphic equalizer circuit control output signal.
41	VOL.DWN	P17	O	Motor volume control output signal.
42	VOL.UP	P16	O	Motor volume control output signal.
43	GRID-6	P15	O	Grid output signal for sepctrum indication.
44	GRID-5	P14	O	Grid output signal for sepctrum indication.
45	GRID-4	P13	O	Grid output signal for sepctrum indication.
46	GRID-3	P12	O	Grid output signal for sepctrum indication.
47	GRID-2	P11	O	Grid output signal for sepctrum indication.
48	GRID-1	P10	O	Grid output signal for sepctrum indication.
49	—	P07	O	Not used.
50	—	P06	O	Not used.
51	TMUTE	P05	O	Not used.
52	PB1/2	P04	O	Tape playback AMP 1/2 switching output signal (H: TAPE 1, L: TAPE 2).
53	HEAD R/P	P03	O	Tape 2 Head Record/Playback switching output signal (H: Record, L: Playback).
54	Bias	P02	O	Tape bias OSC. ON/OFF switching output signal (H: Bias OSC. OFF, L: Bias OSC. ON).
55	Hi/Lo	P01	O	Tape speed switching output signal (H: normal speed, L: double speed).
56	DOLBY	P00	O	Tape DOLBY IC Record/Playback switching output signal (H: Playback/Dubbing, L: Record).
57	PSEL	P37	I	Pull down.
58	—	P36	I	Not used.
59	TCS	P35	O	Chip selection output signal for Tuner PLL IC.
60	—	P34	I	Not used.
61	T-DATA	P33	O	Data outpt for tuner PLL IC.
62	—	P32	O	Not used.
63	CLK	P31	O	Clock output signal for LED drive IC (BU2040), output signal for tuner PLL IC.
64	L-DATA	P30	O	Data output for LED drive IC (BU2040).

PQ12RA1 (UPR: IC002)



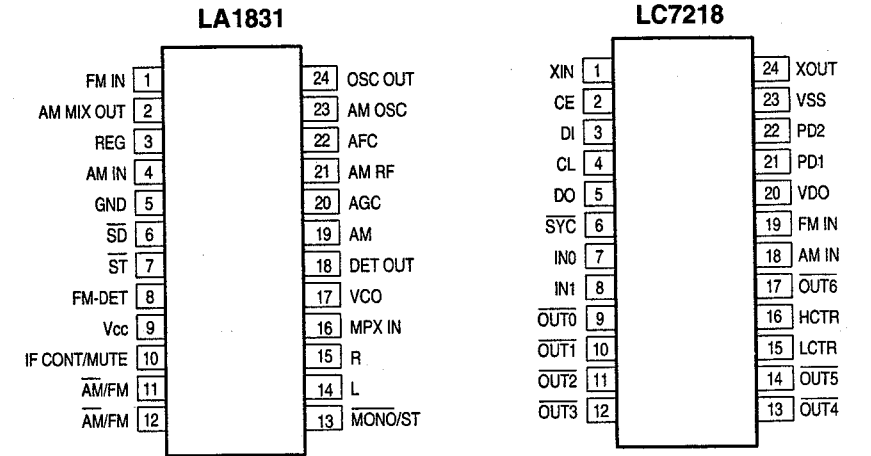
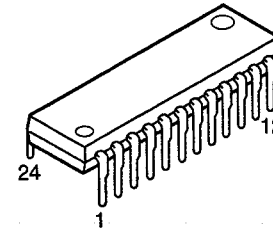
Pin	Function
1	DC input (Vin)
2	DC output (Vout)
3	GND
4	ON/OFF control terminal (Vc)

μPC1237HA (UPR: IC052)

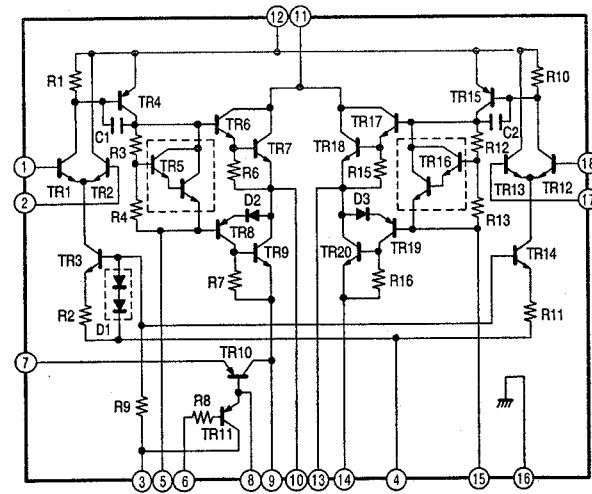
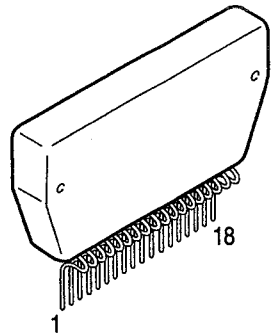


Pin	Function
1	Overload detection
2	Middle point potential detection
3	Latch/Audio recovery switching
4	AC OFF detection
5	GND
6	Relay drive
7	Muting
8	Vcc

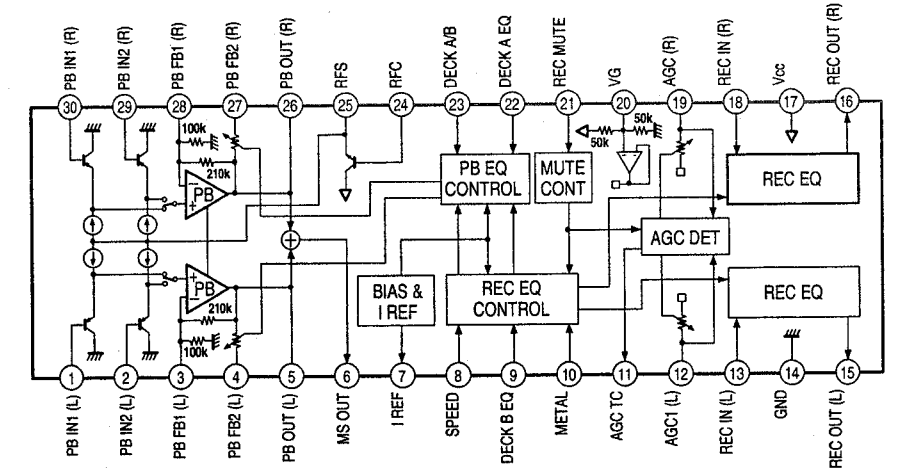
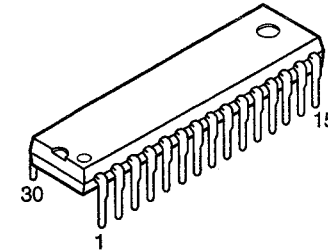
LA1831 (UPR: IC202)
LC7218 (UPR: IC301)



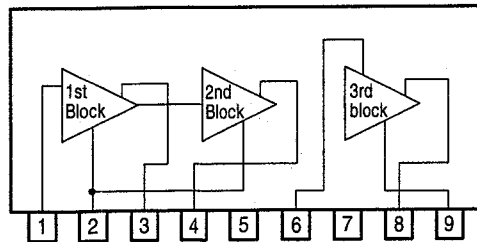
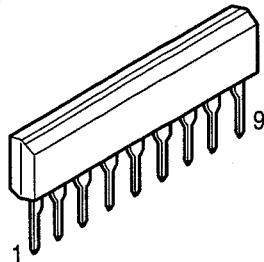
STK4152II (UPR: IC051)



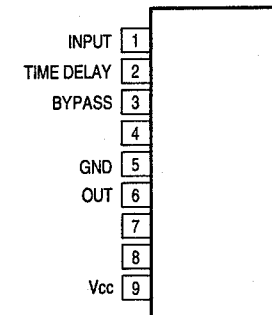
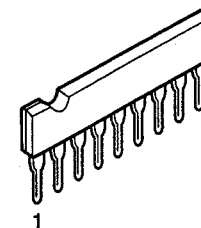
CXA1498S (UPR: IC401)



AN278 (UPR: IC201)

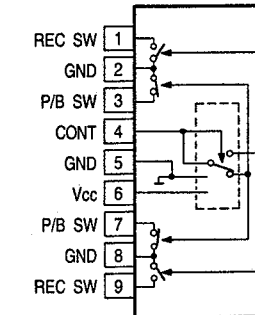


BA335 (UPR: IC402)
BA3216N (UPR: IC451)

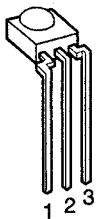


BA335

BA3126N

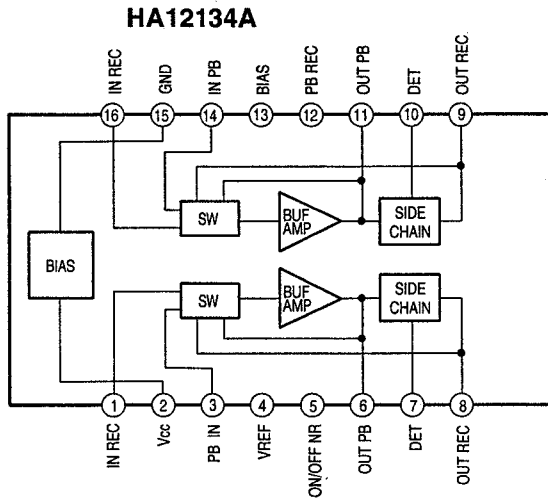
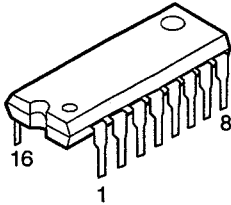


RPM-676 LBR-L (UPR: IC551)

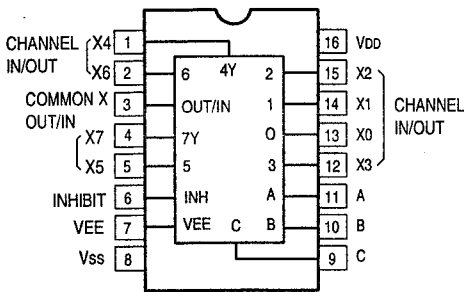


- 1. Rout
- 2. GND
- 3. Vcc

HA12134A (UPR: IC471)
HD14051BP (UTCM: IC703)



HD14051BP



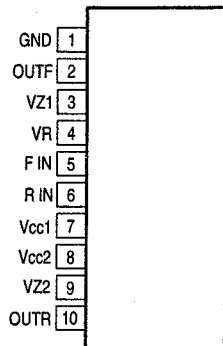
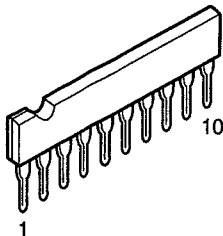
HD14051BP Terminal Function

No.	Symbol	Function
1	L/UL P/S	Load/Unload P/S
2	U/D P/S	Up/down P/S
3	MECSWIN	Common output terminal
4	RESET SW	Reset SW
5	UNLOAD SW	Unload SW
6	INH	Control inhibiting input (L: used)
7	VEE	GND
8	VSS	GND
9	CTRL-C	Control input C
10	CTRL-B	Control input B
11	CTRL-A	Control input A
12	T/M UP SW	Traverse mechanism UP SW
13	T/M DOWN SW	Traverse mechanism DOWN SW
14	DISC SW	Disc detection SW
15	8cm P/S	Disc detection P/S
16	VDD	+5V Power supply

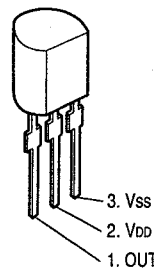
CONTROL

CTRL-C	CTRL-B	CTRL-A	INPUT SW, P/S
L	L	L	(13) T/M DOWN SW
L	L	H	(14) DISC SW
L	H	L	(15) 8cm P/S
L	H	H	(12) T/M UP SW
H	L	L	(1) L/UL P/S
H	L	H	(5) UNLOAD SW
H	H	L	(2) U/D P/S
H	H	H	(4) RESET SW

BA6209N (UPR: IC681)

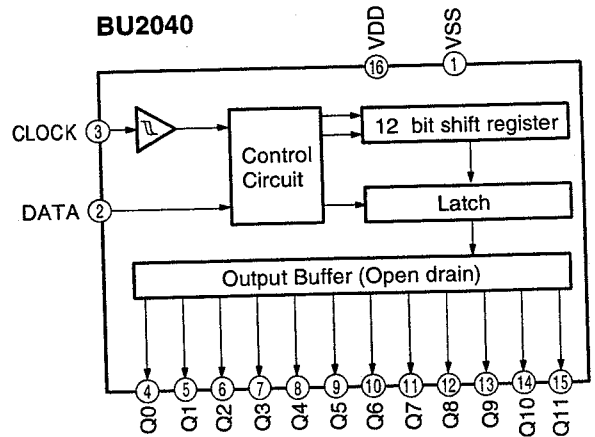
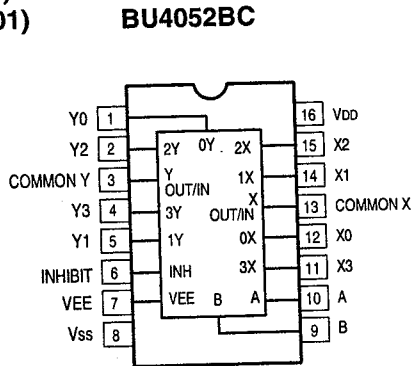
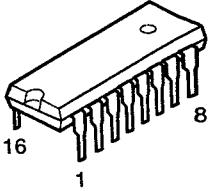


S8054 ALR (UTCM: IC702)

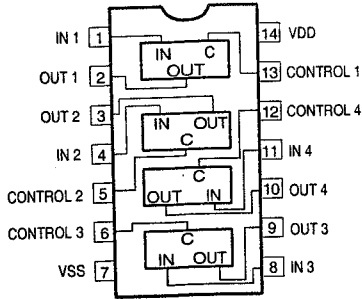
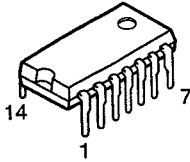


Pin	Function
1	Out
2	VDD
3	VSS

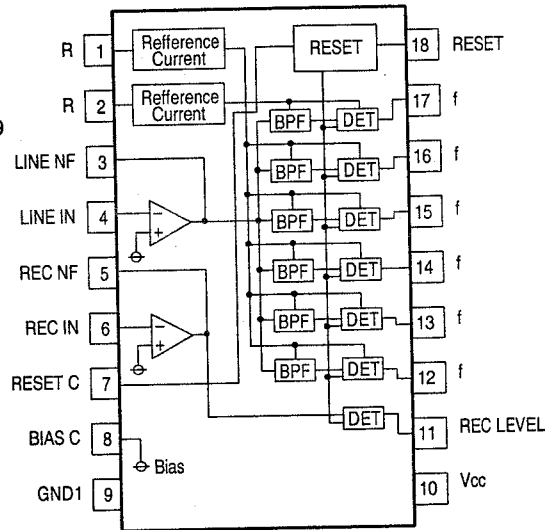
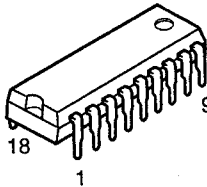
**BU2040 (UTCM: IC705)
BU4052BC (UPR: IC501)**



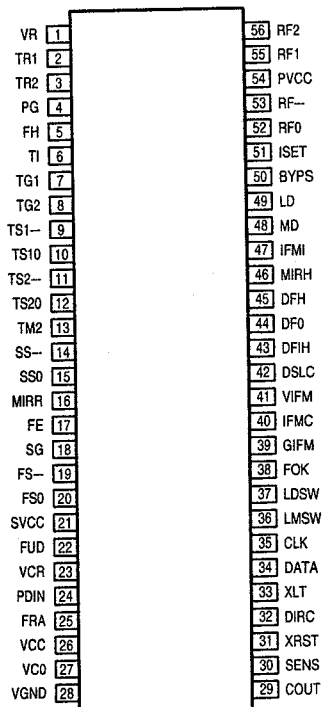
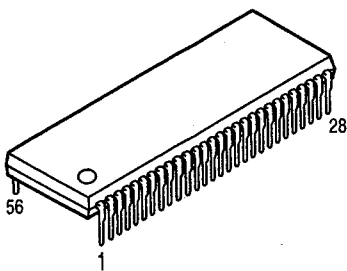
BU4066BC (UTCM: IC772 UPR: IC506)



BA3830S (UTCM: IC771)

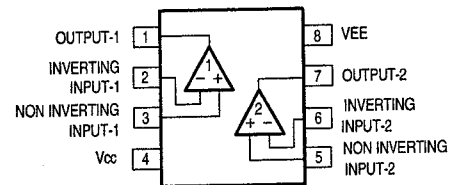
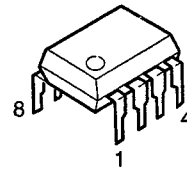


HA12158NT (UTCM: IC801)

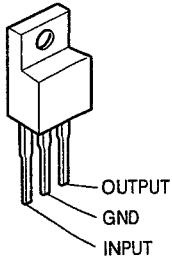


**μPC358C (UTCM: IC803)
HA17558 (HM) (UPR: IC502~505, 507, 508)
UTCM: IC773~775)**

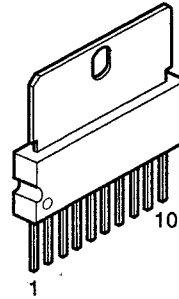
**M5218AP (UTCM: IC804)
NJM2100D (UTCM: IC704)**



AN7805 (UTCM: IC805)
 AN7806 (UPR: IC001)
 AN7809 (UPR: IC003)

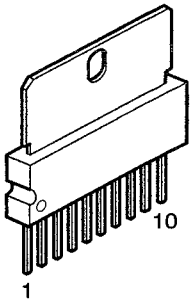


BA6294 (UTCM: IC806, 807)



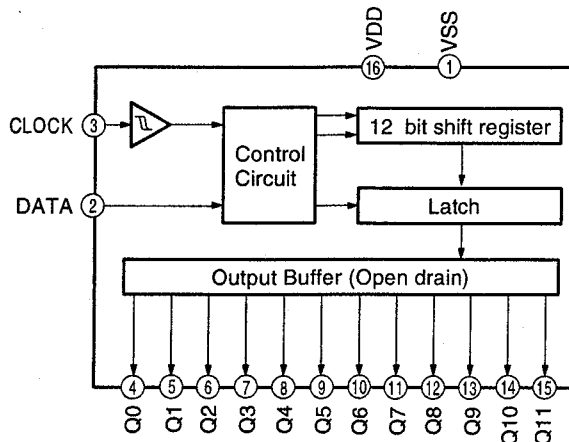
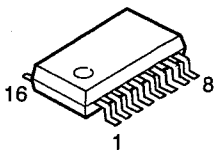
Pin	Function
1	Vcc
2	OUT1
3	OUT2
4	IN1
5	BIAS
6	MUTE
7	IN2
8	OUT4
9	OUT3
10	GND

BA6219B (UTCM: IC808, 809)



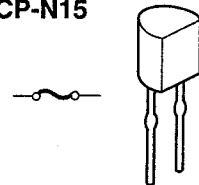
Pin	Symbol	Function
1	GND	GND
2	OUT1	Motor output terminal
3	CD1	Output transistor, Connect to condenser for preventing ON
4	VREF	Output high voltage setting terminal
5	IN1	Logic input terminal
6	IN2	Logic input terminal
7	VCC1	Control circuit power supply terminal
8	VCC2	Output power supply terminal
9	CD2	Output transistor, Connect to condenser for preventing ON
10	OUT2	Motor output terminal

BU2040F (UPR: IC951)



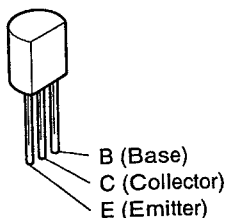
● IC PROTECTOR

ICP-N5
 ICP-N15

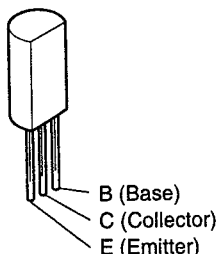


● TRANSISTORS

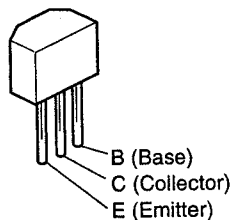
2SA844 (E)
2SC458 (C)



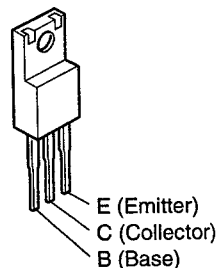
2SB647 (C)
HIT5609 (C)
HIT5610 (C)



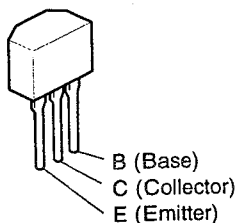
2SC1740 (S)
2SD1468 (S)



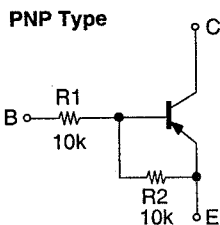
2SA1129 (K)



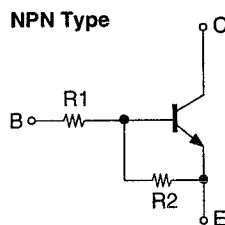
DTA114ES
DTC114ES
DTC124ES



DTA114ES



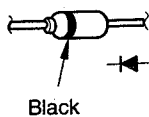
DTC114ES
DTC124ES



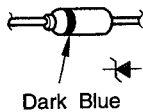
	R1	R2
DTA114ES	10kohm	10kohm
DTC124ES	22kohm	22kohm

● DIODES (included LED)

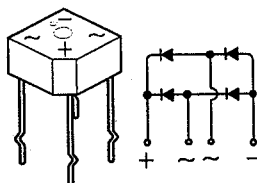
1N4001
1N4531



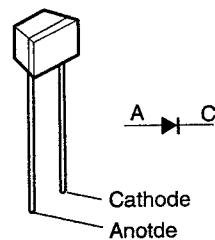
HZ4B-2 HZ4C-1
HZ5C-3 HZ6B-2
HZ7A-1 HZ9C-1
HZ22-1L



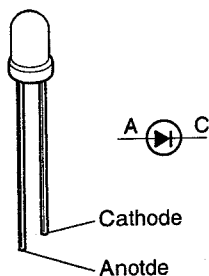
S4VB20F (UPR: D001)



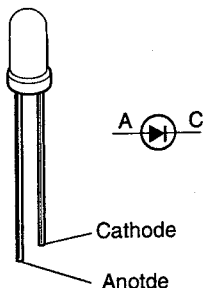
SVC321 (UPR: D155, 156)



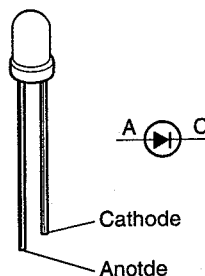
SLR34MC3F
(UPR: D951, 952, 954, 955)



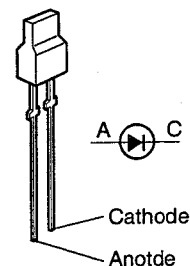
SLR54DT3F
(UPR: D551, 552)



SLR342 (UPR: D953)



RLL2050PD-R15(S)
(UTCM: LED801)



NOTE FOR PARTS LIST

- Part indicated with the mark "◎" are not always in stock and possibly to take a long period of time for supplying, or in some case supplying of part may be refused.
- When ordering of part, clearly indicate "1" and "I" (i) to avoid mis-supplying.
- Ordering part without stating its part number can not be supplied.
- Part indicated with the mark "★" is not illustrated in the exploded view.
- Not including Carbon Film ±5%, 1/4W Type in the P.W.Board parts list. (Refer to the Schematic Diagram for those parts.)

WARNING:

Parts marked with this symbol  have critical characteristics. Use ONLY replacement parts recommended by the manufacturer.

● Resistors

Ex.: RN 14K 2E 182 G FR
 Type Shape and performance Power Resistance Allowable error Others

RD : Carbon	2B : 1/8W	F : ±1%	P : Pulse-resistant type
RC : Composition	2E : 1/4W	G : ±2%	NL : Low noise type
RS : Metal oxide film	2H : 1/2W	J : ±5%	NB : Non-burning type
RW : Winding	3A : 1W	K : ±10%	FR : Fuse-resistor
RN : Metal film	3D : 2W	M : ±20%	F : Lead wire forming
RK : Metal mixture	3F : 3W		
	3H : 5W		

*** Resistance**

1 8 2 ⇒ 1800 ohm = 1.8 kohm
 Indicates number of zeros after effective number.
 2-digit effective number.

• Units: ohm

1 R 2 ⇒ 1.2 ohm
 1-digit effective number.
 2-digit effective number, decimal point indicated by R.

• Units: ohm

● Capacitors

Ex.: CE 04W 1H 2R2 M BP
 Type Shape and performance Dielectric strength Capacity Allowable error Others

CE : Aluminum foil electrolytic	0J : 6.3V	F : ±1%	HS : High stability type
CA : Aluminum solid electrolytic	1A : 10V	G : ±2%	BP : Non-polar type
CS : Tantalum electrolytic	1C : 16V	J : ±5%	HR : Ripple-resistant type
CQ : Film	1E : 25V	K : ±10%	DL : For charge and discharge
CK : Ceramic	1V : 35V	M : ±20%	HF : For assuring high frequency
CC : Ceramic	1H : 50V	Z : +80%	U : UL part
CP : Oil	2A : 100V	-20%	C : CSA part
CM : Mica	2B : 125V	P : +100%	W : UL-CSA type
CF : Metallized	2C : 160V	-0%	F : Lead wire forming
CH : Metallized	2D : 200V	C : ±0.25pF	
	2E : 250V	D : ±0.5pF	
	2H : 500V	= : Others	
	2J : 630V		

*** Capacity (electrolyte only)**

2 2 2 ⇒ 2200µF
 Indicates number of zeros after effective number.
 2-digit effective number.

• Units: µF.

2 R 2 ⇒ 2.2µF
 1-digit effective number.
 2-digit effective number, decimal point indicated by R.

• Units: µF.

*** Capacity (except electrolyte)**

2 2 2 ⇒ 2200pF = 0.0022µF
 (More than 2) - Indicates number of zeros after effective number.
 2-digit effective number.

• Units: µF.

2 2 1 ⇒ 220pF
 (0 or 1) - Indicates number of zeros after effective number.
 2-digit effective number.

• Units: pF.

• When the dielectric strength is indicated in AC, "AC" is included after the dielectric strength value.

PART LIST OF P.W.B.UNIT ASS'Y
UPR-C30 MAIN P.W.B. UNIT

Ref. No.	Part No.	Part Name	Remarks
SEMICONDUCTORS GROUP			
IC001	9L2 0032 52	IC AN7806 AX-10	
IC002	9L2 0046 03	IC PQ12RA1	
IC003	9L2 0032 55	IC AN7809 AX-10	
IC051	265 0073 003	IC STK4152 U	Power pack
IC052	9L2 3875 82	IC μ PC1237HA	
IC551	9LC J000 01	IC RPM-676 LBR-L	
IC681	9L2 3017 01W	IC BA6209N	
Q001	9L2 3286 25	Transistor 2SB647C	
Q002,003	273 0303 910	Transistor 2SC1740S-S	
Q051	273 0303 910	Transistor 2SC1740S-S	
Q052,053	269 0062 906	Transistor DTC124ES	Built in resistor
Δ D001	276 0338 007	Diode S4VB20-4001	Bridge
D002~009	9L2 3980 62T	Diode 1N4001	
D010~012	276 0375 002	Diode 1N4531 or 1N4148	
D013	9L2 3980 62T	Diode 1N4001	
D014~016	276 0375 002	Diode 1N4531 or 1N4148	
D017~020	9L2 3980 62T	Diode 1N4001	
D051~059	276 0375 002	Diode 1N4531 or 1N4148	
D551,552	9L2 3984 07	LED SLR54DT3F	Orange
ZD001	9L2 3350 43M	Zener diode HZ22-1L	22 V
ZD002	276 0173 039	Zener diode HZ6B-2	6 V
ZD681	276 0457 904	Zener diode HZ4C-1	4 V
PR001	LA2 500U 216	IC protector ICP-N5	5 V
RESISTORS GROUP			
VR551	9L0 1581 02	Semifixed resistor 20kohm	CR EVJ02AF15B24
VR681	9L0 1579 01	Variable resistor 50kohm	VR mot.-vol.-50 k
Δ R001	242 0074 009	Carbon compo 2.7 Mohm 1/2W	RC05GF2H275K U.S.A. model only
R002	241 2403 934	Carbon film 100kohm 1/6W	RD14B2E104J(5)
R003	241 0181 009	Carbon film 680ohm 1/2W	RD14B2H681J
R004	241 2400 092	Carbon film 10kohm 1/6W	RD14B2E103J(5)
R005	241 2398 955	Carbon film 1kohm 1/6W	RD14B2E102J(5)
R006	241 2401 075	Carbon film 22kohm 1/6W	RD14B2E223J(5)
R007	241 2403 934	Carbon film 100kohm 1/6W	RD14B2E104J(5)
R051,052	241 2398 955	Carbon film 1kohm 1/6W	RD14B2E102J(5)
R053~056	241 2402 951	Carbon film 47kohm 1/6W	RD14B2E473J(5)
R057,058	241 2397 972	Carbon film 470ohm 1/6W	RD14B2E471J(5)
R059~062	241 0193 000	Carbon film 2.2kohm 1/2W	RD14B2H222J

Ref. No.	Part No.	Part Name	Remarks
Δ R063	241 2323 001	Fuse resistor 100ohm 1/4W	RD14B2E101JFR
R064,065	241 0185 005	Carbon film 1kohm 1/2W	RD14B2H102J
Δ R066	241 2323 001	Fuse resistor 100ohm 1/4W	RD14B2E101JFR
R068	241 2402 919	Carbon film 33kohm 1/6W	RD14B2E333J(5)
R069	241 2402 951	Carbon film 47kohm 1/6W	RD14B2E473J(5)
R070	241 2400 995	Carbon film 10kohm 1/6W	RD14B2E103J(5)
R071	241 2398 955	Carbon film 1kohm 1/6W	RD14B2E102J(5)
R072	241 2401 075	Carbon film 22kohm 1/6W	RD14B2E223J(5)
R073,074	241 2403 934	Carbon film 100kohm 1/6W	RD14B2E104J(5)
R075	241 2402 951	Carbon film 47kohm 1/6W	RD14B2E473J(5)
R076,077	241 2401 033	Carbon film 15kohm 1/6W	RD14B2E153J(5)
R078	241 2403 934	Carbon film 100kohm 1/6W	RD14B2E104J(5)
R079	241 2400 979	Carbon film 8.2kohm 1/6W	RD14B2E822J(5)
R080,081	241 2393 989	Carbon film 10ohm 1/4W	RD14B2E100J
R082~085	241 0137 008	Carbon film 10ohm 1/2W	RD14B2H100J
Δ R086,087	244 0092 003	Metal oxide 330ohm 2W	RS14B3D331JNB
Δ R088	245 2167 007	Metal film 220ohm 1/4W	RN14K2E221G
R089,090	241 2401 978	Carbon film 22kohm 1/6W	RD14B2E223J(5)
R091	241 2400 050	Carbon film 6.8kohm 1/6W	RD14B2E682J(5)
Δ R551	245 2366 989	Metal film 1kohm 1/4W	RN14K2E102F(5)
Δ R552	245 2196 004	Metal film 1.3kohm 1/4W	RN14K2E132G
Δ R553	245 2367 920	Metal film 1.5kohm 1/4W	RN14K2E152F(5)
Δ R554	245 2189 001	Metal film 1.8kohm 1/4W	RN14K2E182G
R681,682	241 2398 955	Carbon film 1kohm 1/6W	RD14B2E102J(5)
CAPACITORS GROUP			
C001~004	253 1025 002	Ceramic 0.022 μ F/50V	CK45F1H223Z
C005,006	254 4259 014	Electrolytic 3300 μ F/35V	CE04W1V332M
C007~010	253 1024 003	Ceramic 0.01 μ F/50V	CK45F1H103Z
C011,012	254 4256 091	Electrolytic 2200 μ F/25V	CE04W1E222M
C013,014	254 4256 004	Electrolytic 10 μ F/25V	CE04W1E100M
C015	254 4254 941	Electrolytic 100 μ F/16V	CE04W1C101M
C016	254 4256 004	Electrolytic 10 μ F/25V	CE04W1E100M
C018	254 4261 028	Electrolytic 220 μ F/50V	CE04W1H221M
C019	254 4261 015	Electrolytic 47 μ F/50V	CE04W1H470M
C020	254 4260 074	Electrolytic 4.7 μ F/50V	CE04W1H47R7M
C021,022	254 4256 091	Electrolytic 2200 μ F/25V	CE04W1E222M
C025	253 1174 018	Ceramic 0.01 μ F/16V	CK14Y1C103M
C051,052	253 1194 917	Ceramic 470pF/50V	CK14B1H471K
C053,054	254 4260 951	Electrolytic 2.2 μ F/50V	CE04W1H2R2M
C055,056	253 1193 976	Ceramic 220pF/50V	CK14B1H221K
C057,058	254 4254 912	Electrolytic 22 μ F/16V	CE04W1C220M
C059,060	254 4261 015	Electrolytic 47 μ F/50V	CE04W1H470M
C061	254 4260 087	Electrolytic 10 μ F/50V	CE04W1H100M
C062	254 4261 015	Electrolytic 47 μ F/50V	CE04W1H470M
C063	254 4250 039	Electrolytic 220 μ F/6.3V	CE04W0J221M
C064,065	254 4254 941	Electrolytic 100 μ F/16V	CE04W1C101M
C066	254 4260 045	Electrolytic 1 μ F/50V	CE04W1H010M

Ref. No.	Part No.	Part Name	Remarque	Ref. No.	Part No.	Part Name	Remarque	Q'ty
C067	254 4254 941	Electrolytic 100 μ F/16V	CE04W1C101M	Δ S001	9LF G000 11	Voltage select switch	Australia, Asia models	1
C068	255 4199 960	Film 0.022 μ F/50V	CQ92M1H223J(MRZ)					
C069	254 4060 993	Electrolytic 22 μ F/50V	CE04W1H220M	S551-554	9L2 6396 82R	Tact switch		4
C070	254 4254 022	Electrolytic 33 μ F/16V	CE04W1C330M	S555-557	9L2 6008 32	Push switch		3
C071-074	255 1084 007	Film 0.1 μ F/50V	CQ93M1H104K ECQM					
C075,076	253 1194 959	Ceramic 1000pF/50V	CK14B1H102K Europe,U.K. models					
C077,078	253 1174 018	Ceramic 0.01 μ F/16V	CK14Y1C103M	PG001	—	7 P MX pin post		1
C081	254 4196 012	Electrolytic 0.22 μ F/50V	CE04W1HR22M(SRA)	PG051	—	MX pin post		1
C082	254 4254 019	Electrolytic 22 μ F/16V	CE04W1C220M	PG052	—	Pin post (TXL 5P)		1
C551-553	253 1174 018	Ceramic 0.01 μ F/16V	CK14Y1C103M	CN001	—	Connector TKC-M16 P		1
C556	254 4252 037	Electrolytic 100 μ F/10V	CE04W1A101M	CN051	—	5 P MX connector		1
C681	254 4254 938	Electrolytic 47 μ F/16V	CE04W1C470M	CN052	—	5 P TXL connector		1
C682,683	255 1134 054	Film 0.1 μ F/50V	CQ92M1H104J	CN551	—	4 P MX connector		1
C684,685	253 1193 934	Ceramic 100pF/50V	CK14B1H101K	CN552	—	4 P MX connector		1
				CN553	—	5 P MX connector		1
				CN681	—	6 P TXL connector		1
OTHERS PARTS GROUP								
	—	(P.W.Board)		P001,002	—	Power blank terminal	U.S.A.,Europe, Asia models	1
E001,002	9L2 7292 52R	Fuse holder		#001	—	Heat sink S		1
E003,004	9L2 7292 52R	Fuse holder	Australia, Asia models	#002	—	Heat sink 22		1
E005-008	9L2 7292 52R	Fuse holder		#003	—	Heat sink bracket		2
E551	9LN J010 61	RM holder		#005,006	—	Screw 3x6 DT		2
				#007,008	—	Screw 3x8 DT		2
				#009,010	—	Screw 3x14 Bind		2
				#011-013	—	Screw 3x8 DT		3
Δ F001	9L2 7224 14	Fuse 2 A/125 V	U.S.A. model					
Δ F001	9L2 7280 74	Fuse T1.6 A	Australia, Asia models					
Δ F001	9L2 7280 77	Fuse T1.0 A	Europe, U.K. models					
Δ F002	9L2 7280 71	Fuse 0.8 A	Australia, Asia models					
Δ F003,004	9L2 7224 13	Fuse 1.6 A/125 V	U.S.A. model					
Δ F003,004	9L2 7280 77	Fuse T1.0 A	Except U.S.A. model					
JK001	9LE D004 91	System socket 15 P						1
JK051	9LE U000 81	Speaker terminal 4 p push						1
JK551	9L2 6950 31	Headphone jack						1
JK552	9L2 6950 31	Mic jack						1
L051,052	9L2 2273 61	Audio trap coil	Europe, U.K. models					1
RY051	9L2 6413 21	Relay (24 V)						1

UPR-C30 AUDIO P.W.B.UNIT

Ref. No.	Part No.	Part Name	Remarque	Ref. No.	Part No.	Part Name	Remarque
SEMICONDUCTORS GROUP							
IC201	9L2 3684 31W	IC AN278		Q901	269 0062 906	Transistor DTC124ES	Built in resistor
IC202	9L2 0204 21	IC LA1831		Q902	272 0025 004	Transistor HIT5610C or Transistor 2SB562(C)	
IC301	9L2 3852 01	IC LC7218		Q903,904	269 0062 906	Transistor DTC124ES	Built in resistor
IC401	9L2 0087 71	IC CXA1498S		Q905	272 0025 004	Transistor HIT5610C or Transistor 2SB562(C)	
IC402	9L2 3684 63W	IC BA335		Q906	269 0062 906	Transistor DTC124ES	Built in resistor
IC451	9L2 0202 91	IC BA3126N		Q907	272 0025 004	Transistor HIT5610C or Transistor 2SB562(C)	
IC471	9L2 0037 31	IC HA12134A		Q908,909	269 0062 906	Transistor DTC124ES	Built in resistor
IC501	9L2 0084 32	IC BU4052BC		D101,102	276 0375 002	Diode 1N4531 or 1N4148	
IC502-505	9LC P006 21	IC HA17558(HM)		D151-154	276 0375 002	Diode 1N4531 or 1N4148	
IC506	262 1873 009	IC BU4066BC		D155,156	276 0302 017	Varicap SVC-321SPA-C30	Asia,Australia models
IC507,508	9LC P006 21	IC HA17558(HM)		D301	276 0375 002	Diode 1N4531 or 1N4148	
IC901	9LC P011 81	IC M38123M4-090SP	μ-com	D401	276 0375 002	Diode 1N4531 or 1N4148	
IC951	9L2 0087 11	IC BU2040F		D501-506	276 0375 002	Diode 1N4531 or 1N4148	
Q151-154	273 0303 910	Transistor 2SC1740S-S	Except U.S.A. model	D901-907	276 0375 002	Diode 1N4531 or 1N4148	
Q155	274 0131 004	Transistor 2SD1468S-R	Europe, U.K. model	D951,952	9LC H000 71	LED SLR34MC3F	
Q181,182	273 0303 910	Transistor 2SC1740S-S		D953	9LC H000 72	LED SLR342	
Q183,184	273 0303 910	Transistor 2SC1740S-S	Except U.S.A. model	D954,955	9LC H000 71	LED SLR34MC3F	
Q201	273 0303 910	Transistor 2SC1740S-S		ZD301	276 0236 057	Zener diode HZ5C-3	5 V
Q202	269 0062 906	Transistor DTC124ES	Built in resistor	ZD501,502	276 0236 057	Zener diode HZ5C-3	5 V
Q301	269 0046 003	Transistor DTC114ES	Built in resistor	△PR451	LA2 500U 216	IC protector ICP-N5	5 V
Q302,303	269 0046 003	Transistor DTC114ES	Built in resistor Except U.S.A. model	△PR901	268 0073 905	IC protector ICP-N15	15 V
Q402-405	273 0303 910	Transistor 2SC1740S-S		RESISTORS GROUP			
Q406	269 0062 906	Transistor DTC124ES	Built in resistor	VR401-404	9L0 1603 11	Semifixed resistor 10kohm	VR 10K-B
Q407,408	273 0303 910	Transistor 2SC1740S-S		VR451,452	9L0 1603 16	Semifixed resistor 100kohm	VR 100K-B
Q451	269 0062 906	Transistor DTC124ES	Built in resistor	VR471,472	9L0 1603 15	Semifixed resistor 50kohm	VR 50K-B
Q452,453	273 0303 910	Transistor 2SC1740S-S		VR901	9L0 1603 14	Variable resistor 2kohm	EVND2AA03B23
Q454	274 0036 002	Transistor HIT5609C or Transistor 2SD468(C)		R101	241 2399 051	Carbon film 2.7kohm 1/6W	RD14B2E27J(5)
Q455	273 0303 910	Transistor 2SC1740S-S		R102	241 2395 068	Carbon film 56ohm 1/6W	RD14B2E560J(5)
Q456	269 0062 906	Transistor DTC124ES	Built in resistor	R103	241 0167 007	Carbon film 180ohm 1/2W	RD14B2H181J
Q457	273 0303 910	Transistor 2SC1740S-S		R151	241 2400 995	Carbon film 10kohm 1/6W	RD14B2E103J(5)
Q458	269 0062 906	Transistor DTC124ES	Built in resistor	R152	241 2403 934	Carbon film 100kohm 1/6W	RD14B2E104J(5)
Q501,502	269 0062 906	Transistor DTC124ES	Built in resistor	R153	241 2400 995	Carbon film 10kohm 1/6W	RD14B2E103J(5)
Q503,504	274 0131 004	Transistor 2SD1468(S)		R154	241 2403 934	Carbon film 100kohm 1/6W	RD14B2E104J(5)
Q505-518	269 0062 906	Transistor DTC124ES	Built in resistor				Except U.S.A. model
Q519,520	269 0046 003	Transistor DTA114ES	Built in resistor				RD14B2E104J(5)
Q521	274 0036 002	Transistor HIT5609C or Transistor 2SD468(C)					Europe,U.K. models
Q522,523	269 0062 906	Transistor DTC124ES	Built in resistor				
Q524	269 0046 003	Transistor DTA114ES	Built in resistor				

Ref. No.	Part No.	Part Name	Remarque	Ref. No.	Part No.	Part Name	Remarque
R154	241 2404 014	Carbon film 220kohm 1/6W	Australia, Asia models	R213	241 2399 035	Carbon film 2.2kohm 1/6W	RD14B2E222J(5) Except U.S.A. model
R155	241 2404 098	Carbon film 470kohm 1/6W	RD14B2E474J(5) Except U.S.A. model	R214	241 2404 014	Carbon film 220kohm 1/6W	RD14B2E224J(5) Except U.S.A. model
R156	241 2402 951	Carbon film 47kohm 1/6W	RD14B2E473J(5) Except U.S.A. model	R215	241 2400 995	Carbon film 10kohm 1/6W	RD14B2E103J(5)
R157	241 2400 995	Carbon film 10kohm 1/6W	RD14B2E103J(5) Europe, U.K. models	R216	241 2398 955	Carbon film 1kohm 1/6W	RD14B2E102J(5)
R158	241 2404 098	Carbon film 470kohm 1/6W	RD14B2E474J(5) Except U.S.A. model	R217	241 2401 075	Carbon film 22kohm 1/6W	RD14B2E223J(5) Europe, U.K. models
R159	241 2402 951	Carbon film 47kohm 1/6W	RD14B2E473J(5) Except U.S.A. model	R218,219	241 2400 050	Carbon film 6.8kohm 1/6W	RD14B2E682J(5)
R160	241 2393 989	Carbon film 10ohm 1/6W	RD14B2E100J(5) Except U.S.A. model	R220,221	241 2401 033	Carbon film 15kohm 1/6W	RD14B2E153J(5)
R161	241 2394 085	Carbon film 27ohm 1/6W	RD14B2E270J(5) Australia, Asia models	R301-303	241 2399 035	Carbon film 2.2kohm 1/6W	RD14B2E222J(5)
R162	241 2395 042	Carbon film 47ohm 1/6W	RD14B2E470J(5)	R304	241 2400 979	Carbon film 8.2 Mohm 1/6W	RD14B2E825J(5) Australia, Asia models
R181	241 2400 050	Carbon film 6.8kohm 1/6W	RD14B2E682J(5)	R305	241 2396 083	Carbon film 180ohm 1/6W	RD14B2E181J(5)
R182	241 2398 010	Carbon film 680ohm 1/6W	RD14B2E681J(5)	R306	241 2402 951	Carbon film 47kohm 1/6W	RD14B2E473J(5) Australia, Asia models
R183	241 2399 035	Carbon film 2.2kohm 1/6W	RD14B2E222J(5)	R401-404	241 2403 934	Carbon film 100kohm 1/6W	RD14B2E104J(5)
R184	241 2398 094	Carbon film 1.5kohm 1/6W	RD14B2E152J(5)	R405,406	241 2395 000	Carbon film 33ohm 1/6W	RD14B2E330J(5)
R185	241 2400 050	Carbon film 6.8kohm 1/6W	RD14B2E682J(5) Europe, U.K. models	R407	241 2401 994	Carbon film 27kohm 1/6W	RD14B2E273J(5)
R185	241 2399 035	Carbon film 2.2kohm 1/6W	RD14B2E222J(5) Australia, Asia models	R408	241 2399 077	Carbon film 3.3kohm 1/6W	RD14B2E332J(5)
R186	241 2400 995	Carbon film 10kohm 1/6W	RD14B2E103J(5) Except U.S.A. model	R409	241 2401 075	Carbon film 22kohm 1/6W	RD14B2E223J(5)
R187	241 2400 050	Carbon film 6.8kohm 1/6W	RD14B2E682J(5) Except U.S.A. model	R410	241 2398 094	Carbon film 1.5kohm 1/6W	RD14B2E152J(5)
R188	241 2398 955	Carbon film 1kohm 1/6W	RD14B2E102J(5) Europe, U.K. models	R411	241 2397 927	Carbon film 270ohm 1/4W	RD14B2E271J
R188	241 2398 094	Carbon film 1.5kohm 1/6W	RD14B2E152J(5) Australia, Asia models	R412	241 2398 094	Carbon film 1.5kohm 1/6W	RD14B2E152J(5)
R189	241 0169 005	Carbon film 220ohm 1/2W	RD14B2H221J	R413	241 2398 955	Carbon film 1kohm 1/6W	RD14B2E102J(5)
R201	241 2397 943	Carbon film 330ohm 1/6W	RD14B2E331J(5) U.S.A. Australia, Asia models	R414	241 2400 995	Carbon film 10kohm 1/6W	RD14B2E103J(5)
R202	241 2397 943	Carbon film 330ohm 1/6W	RD14B2E331J(5)	R415	241 2401 911	Carbon film 4.7kohm 1/6W	RD14B2E472J(5)
R203	241 2398 955	Carbon film 1kohm 1/6W	RD14B2E102J(5)	R416	241 2400 995	Carbon film 10kohm 1/6W	RD14B2E103J(5)
R204	241 2398 094	Carbon film 1.5kohm 1/6W	RD14B2E152J(5)	R417	241 2405 974	Carbon film 1 Mohm 1/6W	RD14B2E105J(5)
R205	241 2397 066	Carbon film 390ohm 1/6W	RD14B2E391J(5)	R418	241 2404 072	Carbon film 390kohm 1/6W	RD14B2E394J(5)
R206	241 2401 075	Carbon film 22kohm 1/6W	RD14B2E223J(5)	R419-421	241 2400 995	Carbon film 10kohm 1/6W	RD14B2E103J(5)
R207	241 2400 995	Carbon film 10kohm 1/6W	RD14B2E103J(5) U.S.A. model only	R422	241 0165 009	Carbon film 150ohm 1/2W	RD14B2H151J
R207	241 2401 075	Carbon film 22kohm 1/6W	RD14B2E223J(5) Except U.S.A. model	R423	241 2399 077	Carbon film 3.3kohm 1/6W	RD14B2E332J(5)
R208,209	241 2398 955	Carbon film 1kohm 1/6W	RD14B2E102J(5)	R451	241 2400 995	Carbon film 10kohm 1/6W	RD14B2E103J(5)
R210	241 2397 066	Carbon film 390ohm 1/6W	RD14B2E391J(5) U.S.A. model only	R452	241 2398 078	Carbon film 1.2kohm 1/6W	RD14B2E122J(5)
R211	241 2400 995	Carbon film 10kohm 1/6W	RD14B2E103J(5)	R453,454	241 2400 034	Carbon film 5.6kohm 1/6W	RD14B2E562J(5)
R212	241 2399 077	Carbon film 3.3kohm 1/6W	RD14B2E332J(5)	R455,456	241 2401 075	Carbon film 22kohm 1/6W	RD14B2E223J(5)
				R457	241 2401 033	Carbon film 15kohm 1/6W	RD14B2E153J(5)
				R458	241 2394 027	Carbon film 15ohm 1/6W	RD14B2E150J(5)
				R459	241 2399 077	Carbon film 3.3kohm 1/6W	RD14B2E332J(5)
				R460	241 2401 033	Carbon film 15kohm 1/6W	RD14B2E153J(5)
				R461	241 2400 911	Carbon film 4.7kohm 1/6W	RD14B2E472J(5)
				R462,463	241 2400 995	Carbon film 10kohm 1/6W	RD14B2E103J(5)
				R471,472	241 2399 035	Carbon film 2.2kohm 1/6W	RD14B2E222J(5)
				R473,474	241 2400 034	Carbon film 5.6kohm 1/6W	RD14B2E562J(5)
				R475-477	241 2401 075	Carbon film 22kohm 1/6W	RD14B2E223J(5)
				R478	241 2401 059	Carbon film 18kohm 1/6W	RD14B2E183J(5)
				R479	241 2400 995	Carbon film 10kohm 1/6W	RD14B2E103J(5)
				R480	241 2401 075	Carbon film 22kohm 1/6W	RD14B2E223J(5)

Ref. No.	Part No.	Part Name	Remarque	Ref. No.	Part No.	Part Name	Remarque
R481,482	241 2401 033	Carbon film 15kohm 1/6W	RD14B2E153J(5)	R592,593	241 2404 014	Carbon film 220kohm 1/6W	RD14B2E224J(5)
R483,484	241 2400 034	Carbon film 5.6kohm 1/6W	RD14B2E562J(5)	R594,595	241 2397 927	Carbon film 270kohm 1/6W	RD14B2E271J(5)
R485	241 2400 995	Carbon film 10kohm 1/6W	RD14B2E103J(5)	R596,597	241 2403 934	Carbon film 100kohm 1/6W	RD14B2E104J(5)
R501,502	241 2401 075	Carbon film 22kohm 1/6W	RD14B2E223J(5)	R598	241 2399 035	Carbon film 2.2kohm 1/6W	RD14B2E222J(5)
R503,504	241 2399 077	Carbon film 3.3kohm 1/6W	RD14B2E332J(5)	R599	241 2401 075	Carbon film 22kohm 1/6W	RD14B2E223J(5)
R505,506	241 2400 995	Carbon film 10kohm 1/6W	RD14B2E103J(5)	R600	241 2401 075	Carbon film 22kohm 1/6W	RD14B2E223J(5)
R507,508	241 2399 077	Carbon film 3.3kohm 1/6W	RD14B2E332J(5)	R601,602	241 2400 995	Carbon film 10kohm 1/6W	RD14B2E103J(5)
R509-511	241 2398 955	Carbon film 1kohm 1/6W	RD14B2E102J(5)	R603-607	241 2398 955	Carbon film 1kohm 1/6W	RD14B2E102J(5)
R512,513	241 2403 934	Carbon film 100kohm 1/6W	RD14B2E104J(5)	R608	241 2401 075	Carbon film 22kohm 1/6W	RD14B2E223J(5)
R514,515	241 2402 951	Carbon film 47kohm 1/6W	RD14B2E473J(5)	R609	241 2403 934	Carbon film 100kohm 1/6W	RD14B2E104J(5)
R516,517	241 2403 934	Carbon film 100kohm 1/6W	RD14B2E104J(5)	R610	241 2401 075	Carbon film 22kohm 1/6W	RD14B2E223J(5)
R518,509	241 2400 050	Carbon film 6.8kohm 1/6W	RD14B2E682J(5)	R611	241 2399 051	Carbon film 2.7kohm 1/6W	RD14B2E272J(5)
R520,521	241 2399 035	Carbon film 2.2kohm 1/6W	RD14B2E222J(5)	R612,613	241 2400 050	Carbon film 6.8kohm 1/6W	RD14B2E682J(5)
R522,523	241 2403 934	Carbon film 100kohm 1/6W	RD14B2E104J(5)	△R901	9L0 1745 76M	Metal film 3kohm 1/4W	RN14K2E302F
R524,525	241 2400 995	Carbon film 10kohm 1/6W	RD14B2E103J(5)	△R902	9L0 1745 69M	Metal film 1.6kohm 1/4W	RN14K2E162F
R526,527	241 2401 033	Carbon film 15kohm 1/6W	RD14B2E153J(5)	△R903	9L0 1745 77M	Metal film 3.3kohm 1/4W	RN14K2E332F
R528,529	241 2398 955	Carbon film 1kohm 1/6W	RD14B2E102J(5)	R904	241 2399 035	Carbon film 2.2kohm 1/6W	RD14B2E222J(5)
R530,531	241 2402 951	Carbon film 47kohm 1/6W	RD14B2E473J(5)	R905	241 2401 075	Carbon film 22kohm 1/6W	RD14B2E223J(5)
R532,533	241 2399 077	Carbon film 3.3kohm 1/6W	RD14B2E332J(5)	△R906	9L0 1745 71M	Metal film 1.8kohm 1/4W	RN14K2E182F
R534	241 2400 034	Carbon film 5.6kohm 1/6W	RD14B2E562J(5)	△R907	9L0 1745 76M	Metal film 3kohm 1/4W	RN14K2E302F
R536	241 2397 008	Carbon film 220ohm 1/6W	RD14B2E221J(5)	△R908	9L0 1745 69M	Metal film 1.6kohm 1/4W	RN14K2E162F
R537	241 2400 995	Carbon film 10kohm 1/6W	RD14B2E103J(5)	R909	241 2399 035	Carbon film 2.2kohm 1/6W	RD14B2E222J(5)
R538	241 2394 069	Carbon film 22ohm 1/6W	RD14B2E220J(5)	R910	241 2401 075	Carbon film 22kohm 1/6W	RD14B2E223J(5)
R539	241 2398 010	Carbon film 680ohm 1/6W	RD14B2E681J(5)	R911	241 2399 093	Carbon film 3.9kohm 1/6W	RD14B2E392J(5)
R540	241 2398 955	Carbon film 1kohm 1/6W	RD14B2E102J(5)	△R912	9L0 1745 77M	Metal film 3.3kohm 1/4W	RN14K2E332F
R541,542	241 2400 050	Carbon film 6.8kohm 1/6W	RD14B2E682J(5)	△R913	9L0 1745 71M	Metal film 1.8kohm 1/4W	RN14K2E182F
R543-546	241 2400 995	Carbon film 10kohm 1/6W	RD14B2E103J(5)	R914	241 2399 035	Carbon film 2.2kohm 1/6W	RD14B2E222J(5)
R547,548	241 2403 934	Carbon film 100kohm 1/6W	RD14B2E104J(5)	R915	241 2401 075	Carbon film 22kohm 1/6W	RD14B2E223J(5)
R549,550	241 2400 995	Carbon film 10kohm 1/6W	RD14B2E103J(5)	R916-922	241 2400 995	Carbon film 10kohm 1/6W	RD14B2E103J(5)
R551,552	241 2403 934	Carbon film 100kohm 1/6W	RD14B2E104J(5)	△R923-925	245 2369 928	Metal film 10kohm 1/4W	RN14K2E103F
R553,554	241 2398 094	Carbon film 1.5kohm 1/6W	RD14B2E152J(5)	R926	241 2400 995	Carbon film 10kohm 1/6W	RD14B2E103J(5)
R555,556	241 2403 934	Carbon film 100kohm 1/6W	RD14B2E104J(5)	△R927,928	245 2366 989	Metal film 1kohm 1/4W	RN14K2E102F
R557	241 2400 995	Carbon film 10kohm 1/6W	RD14B2E103J(5)	△R929,930	9L0 1745 63M	Metal film 910ohm 1/4W	RN14K2E911F
R558	241 2400 911	Carbon film 4.7kohm 1/6W	RD14B2E472J(5)	R931	241 2401 017	Carbon film 12kohm 1/6W	RD14B2E123J(5)
R559,560	241 2401 075	Carbon film 22kohm 1/6W	RD14B2E223J(5)	R932	241 2401 020	Carbon film 15kohm 1/6W	RD14B2E153J(5)
R561,562	241 2400 995	Carbon film 10kohm 1/6W	RD14B2E103J(5)	R932	241 2402 919	Carbon film 33kohm 1/6W	RD14B2E333J(5)
R563,564	241 2400 050	Carbon film 6.8kohm 1/6W	RD14B2E682J(5)				Europe, U.K. models
R565,566	241 2403 934	Carbon film 100kohm 1/6W	RD14B2E104J(5)				Asia, Australia models
R567,568	241 2399 093	Carbon film 3.9kohm 1/6W	RD14B2E392J(5)	R933-936	241 2398 955	Carbon film 1kohm 1/6W	RD14B2E102J(5)
R569,570	241 2400 911	Carbon film 4.7kohm 1/6W	RD14B2E472J(5)	R937-939	241 2400 995	Carbon film 10kohm 1/6W	RD14B2E103J(5)
R571-574	241 2403 934	Carbon film 100kohm 1/6W	RD14B2E104J(5)	R940,941	241 2402 951	Carbon film 47kohm 1/6W	RD14B2E473J(5)
R575,576	241 2401 017	Carbon film 12kohm 1/6W	RD14B2E123J(5)	R942	241 2405 974	Carbon film 1 Mohm 1/6W	RD14B2E105J(5)
R577,578	241 2400 050	Carbon film 6.8kohm 1/6W	RD14B2E682J(5)	R943	241 2402 951	Carbon film 47kohm 1/6W	RD14B2E473J(5)
R579,580	241 2404 991	Carbon film 270kohm 1/6W	RD14B2E274J(5)	R944	241 2400 995	Carbon film 10kohm 1/6W	RD14B2E103J(5)
R581,582	241 2400 979	Carbon film 8.2kohm 1/6W	RD14B2E822J(5)	R945	241 2398 955	Carbon film 1kohm 1/6W	RD14B2E102J(5)
R583,584	241 2404 991	Carbon film 270kohm 1/6W	RD14B2E274J(5)	△R951	9L0 1745 58M	Metal film 620ohm 1/4W	RN14K2E621F
R585,586	241 2400 995	Carbon film 10kohm 1/6W	RD14B2E103J(5)	△R952	9L0 1745 59M	Metal film 680ohm 1/4W	RN14K2E681F
R587,588	241 2404 030	Carbon film 270kohm 1/6W	RD14B2E274J(5)	△R953	245 2296 004	Metal film 820ohm 1/4W	RN14K2E821F
R589,590	241 2397 972	Carbon film 470ohm 1/6W	RD14B2E471J(5)	△R954	9L0 1745 63M	Metal film 910ohm 1/4W	RN14K2E911F
R591	241 2399 051	Carbon film 2.7kohm 1/6W	RD14B2E272J(5)				

Ref. No.	Part No.	Part Name	Remarks	Ref. No.	Part No.	Part Name	Remarks
△R955	9L0 1745 58M	Metal film 620ohm 1/4W	RN14K2E621F	C211	254 4305 984	Electrolytic 2.2μF/50V	CE04W1H2R2M(SRA)
△R956	9L0 1745 59M	Metal film 680ohm 1/4W	RN14K2E681F	C212	254 4045 008	Electrolytic 3.3μF/50V	CE04W1H3R3=
△R957	245 2296 004	Metal film 820ohm 1/4W	RN14K2E821F	C214	253 1175 907	Ceramic 0.022μF/25V	CK14F1E223Z
△R953	9L0 1745 63M	Metal film 910ohm 1/4W	RN14K2E911F	C215	253 1195 961	Ceramic 4700pF/16V	CK14X1C472M
△R959	9L0 1745 72M	Metal film 2kohm 1/4W	RN14K2E202F	C216	253 1113 901	Ceramic 1200pF/50V	CK45B1H122K
△R960	9L0 1745 71M	Metal film 1.8kohm 1/4W	RN14K2E182F	C217	254 4254 909	Electrolytic 10μF/16V	CE04W1C100M
R961,962	241 2398 094	Carbon film 1.5kohm 1/6W	RD14B2E152J(5)				Europe, U.K. models
R963	241 2399 077	Carbon film 3.3kohm 1/6W	RD14B2E332J(5)	C218	HMA 1000 163	Ceramic 560pF/50V	CK14B1H561=
R964,965	241 2398 094	Carbon film 1.5kohm 1/6W	RD14B2E152J(5)				Europe, U.K. models
CAPACITORS GROUP				C219	254 4254 909	Electrolytic 10μF/16V	CE04W1C100M
C101	255 1134 041	Film 0.047μF/50V	CQ92M1H473J				Europe, U.K. models
C102	254 4254 941	Electrolytic 100μF/16V	CE04W1C101M	C220	253 1174 018	Ceramic 0.01μF/16V	CK14Y1C103M
C103	253 1174 018	Ceramic 0.01μF/16V	CK14Y1C103M				Except U.S.A. model
C104	253 1175 907	Ceramic 0.022μF/25V	CK45F1E223Z	C220	253 1175 907	Ceramic 0.022μF/25V	CK14F1E223Z
C105	HMA 1000 156	Ceramic 22pF/50V	CC45SL1H220=				U.S.A. model only
			U.S.A. model only	C221	253 1174 018	Ceramic 0.01μF/16V	CK14Y1C103M
C151	255 1134 038	Film 0.022μF/50V	CQ92M1H223J				Except U.S.A. model
C152	9LH 2306 51	Ceramic 8.2pF/50V	CC45SL1H8R2J	C221	253 1175 907	Ceramic 0.022μF/25V	CK14F1E223Z
C153	255 1134 038	Film 0.022μF/50V	CQ92M1H223J				U.S.A. model only
			Except U.S.A. model	C222,223	254 4256 909	Electrolytic 10μF/16V	CE04W1C100M
C154	253 3146 002	Ceramic 110pF/50V	CC45CH1H111J (Temp.)	C224	254 4260 045	Electrolytic 1μF/50V	CE04W1H010M
			Europe, U.K. model	C225	254 4252 066	Electrolytic 470μF/10V	CE04W1A471M
C155	255 4237 903	Film 2700pF/100V	CQ93P2A272J (NH)	C226,227	253 1195 961	Ceramic 4700pF/25V	CK14Y1C472M
			Australia, Asia models				Except U.S.A. model
C156	253 1190 908	Ceramic 10pF/50V	CC45SL1H100J	C228	253 1175 907	Ceramic 0.022μF/25V	CK14F1E223Z U.S.A.,
			Australia, Asia models				Australia, Asia models
C181	254 4228 090	Electrolytic 3.3μF/50V	CE04W1H3R3M (LL)	C301,302	253 3131 907	Ceramic 27pF/50V	CC45CH1H270J (Temp.)
C182	253 1195 929	Ceramic 2200pF/16V	CK14X1C222M	C303-305	253 1193 934	Ceramic 100pF/50V	CC45SL1H101J
C183	253 1175 907	Ceramic 0.022μF/25V	CK14F1E223Z	C306	253 1197 901	Ceramic 0.047μF/50V	CK14F1H473Z
C184	254 4196 012	Electrolytic 0.22μF/50V	CE04W1HR22M(SRA)	C307	254 4252 024	Electrolytic 47μF/10V	CE04W1A470M
			Europe, U.K. models	C308	254 4260 977	Electrolytic 4.7μF/50V	CE04W1H4R7M
C184	253 1195 929	Ceramic 2200pF/16V	CK14X1C222M				Australia, Asia models
			Australia, Asia models	C401-404	253 1194 933	Ceramic 680pF/50V	CK14B1H681K
C185	254 4260 045	Electrolytic 1μF/50V	CE04W1H010M	C405,406	253 1194 904	Ceramic 390pF/50V	CK14B1H391K
			Europe, U.K. models	C407	255 1135 011	Film 0.015μF/50V	CQ92M1H153J
C185	254 4228 029	Electrolytic 0.22μF/50V	CE04W1HR22M(LL)	C408	254 4252 037	Electrolytic 100μF/10V	CE04W1A101M
			Australia, Asia models	C409	255 1134 025	Film 0.01μF/50V	CQ92M1H103J
C186	253 1197 914	Ceramic 0.1μF/50V	CK14F1H104Z	C410,411	254 4260 977	Electrolytic 4.7μF/50V	CE04W1H4R7M
			Except U.S.A. model	C412	253 1193 934	Ceramic 100pF/50V	CK14B1H101K
C187	254 4254 941	Electrolytic 100μF/16V	CE04W1C101M	C413	253 1195 961	Ceramic 4700pF/16V	CK14X1C472M
				C414	254 4260 045	Electrolytic 1μF/50V	CE04W1H010M
C201-203	253 1175 907	Ceramic 0.022μF/25V	CK14F1E223Z	C415	255 1140 048	Film 0.068μF/50V	CQ92M1H683J
C204	253 1174 018	Ceramic 0.01μF/16V	CK14Y1C103M	C416,417	253 1194 904	Ceramic 390pF/50V	CK14B1H391K
C205	253 1193 934	Ceramic 100pF/50V	CK14B1H101K	C418	255 1135 011	Film 0.015μF/50V	CQ92M1H153J
C206	254 4254 909	Electrolytic 10μF/16V	CE04W1C100M	C419	254 4252 037	Electrolytic 100μF/10V	CE04W1A101M
C207	253 1197 901	Ceramic 0.047μF/50V	CK14F1H473Z	C420	253 1197 901	Ceramic 0.047μF/25V	CK14F1E473Z U.S.A.,
C208	253 1197 914	Ceramic 0.1μF/50V	CK45F1H104Z				Australia, Asia models
C209	253 1174 018	Ceramic 0.01μF/16V	CK14Y1C103M	C421	254 4260 074	Electrolytic 4.7μF/50V	CE04W1H4R7M
C210	254 4260 045	Electrolytic 1μF/50V	CE04W1H010M	C422	254 4252 037	Electrolytic 100μF/10V	CE04W1A101M

PARTS LIST OF CD CHANGER MECHANISM ASS'Y

Ref. No.	Part No.	Part Name	Remarks	Q'ty	Ref. No.	Part No.	Part Name	Remarks	Q'ty
1	9H0 5000 470	Clamper bracket Ass'y		1	51	9D3 0070 232	E gear G2 spring		1
2	9H0 5000 471	Conn. P.W.B. Ass'y		1s	52	9D3 0070 233	E sensor spring		1
3	9H0 5000 472	Disc sensor P.W.B. Ass'y A		1s	53	9D3 0070 259	E gear G4(S)		1
4	9H0 5000 473	Disc sensor P.W.B. Ass'y B		1	54	9D3 0070 266	E sensor bracket (S)		1
5	9H0 5000 474	Coil Ass'y		1	55	—	—		
6	9H0 5000 475	Gear chassis Ass'y		1	56	9D3 0070 748	Floating spring SA		1
7	9H0 5000 476	Disc case Ass'y		1	57	9D3 0070 749	Floating spring SB		1
8	9H0 5000 477	E sensor P.W.B. Ass'y		1s	58	9D3 0071 103	L gear B		1
9	9H0 5000 478	E motor Ass'y		1	59	9D3 0071 104	L gear C		1
10	9H0 5000 479	Loading plate Ass'y		1	60	9D3 0071 105	L gear D		2
11	9H0 5000 480	Disc base Ass'y		1	61	9D3 0071 106	L gear E		1
12	9D6 9020 301	Laser pickup Ass'y	KSM2102BAM Ass'y	1	62	9D3 0070 265	Cushion rubber		1
12-10	S88 4813 702	Optical pickup	KSS210B(S)RP	1	63	9D3 0070 256	E gear G2(S)B		1
13	9H0 5000 481	T.T base holder		1					
14	9H0 5000 482	L gear bracket Ass'y		1	81	9H0 5000 486	C tap screw 2x4		
15	9H0 5000 483	L motor		1	82	9H0 5000 437	Tap screw 2x4		
16	9H0 5000 484	Guide plate Ass'y		1	83	9H0 5000 431	Tap screw 2x5		
17	9H0 5000 485	L sensor P.W.B. Ass'y		1s	84	9H0 5000 487	Tap screw 2x6		
18	—	—			85	9H0 5000 488	Tap screw SG. 2x3		
19	—	—			86	9H0 5000 489	E ring 2.5		
20	—	—			87	9H0 5000 400	Tams screw 2.6x4		
21	9D3 0070 117	Cover plate spring		1	88	9H0 5000 490	Cup screw 2x6		
22	9D3 0070 142	Chassis		1	89	9H0 5000 491	P.Washer cut 1.85x5x0.5		
23	9D3 0070 144	Lock lever spring		1	90	9H0 5000 492	P.Washer cut 2.6x6x0.5		
24	9D3 0070 165	Stopper (S)		1	91	9H0 5000 493	P.Washer cut 3x6x0.5		
25	9D3 0070 148	Guide R3 (S)		1	92	9H0 5000 494	HLW cut 2.6x4.5x0.5		
26	9D3 0070 149	Disc base bracket		1	93	9H0 5000 495	P tap screw 2x4		
27	9D3 0070 150	Guide R1 (S)		1	94	9H0 5000 496	P tap screw 2x6		
28	9D3 0070 151	Guide R2 (S)		1	95	9H0 5000 497	Camera screw 2x3.5		
29	9D3 0070 153	Guide L1 (S)		1	96	9H0 5000 498	Tap screw 2x8		
30	9D3 0070 154	Guide L2 (S)		1	97	—	—		
31	9D3 0070 155	Cover plate B (S)		1	98	9H0 5000 499	Tap screw 2.6x5		
32	9D3 0070 156	Disc stopper (S)		1	99	9H0 5000 500	HLW cut 2.1x5x0.13		
33	9D3 0070 157	Guide stopper A (S)		1	100				
34	9D3 0070 158	Wire clamper		1					
35	9D3 0070 159	Chassis bracket		1					
36	9D3 0070 162	Cover plate A (S)		1					
37	9D3 0070 163	Lock lever (S)		1					
38	—	—							
39	9D3 0070 240	Worm gear bracket		1					
40	9D1 9001 204	Collar screw		1					
41	9D1 9210 707	RF clutch spring		1					
42	9D3 0070 257	E control lever (S)		1					
43	9D3 0070 203	E motor bracket		1					
44	9D3 0070 255	E gear G2(S)A		1					
45	9D3 0070 215	E gear G3		1					
46	9D3 0070 217	E gear G5		1					
47	9D3 0070 218	E gear G6		2					
48	9D3 0070 220	E gear G8		1					
49	9D3 0070 221	E gear G9		1					
50	9D3 0070 228	E conn. plate		1					

PARTS LIST OF CASSETTE MECHANISM

Ref. No.	Part No.	Part Name	Remarks	Q'ty	Ref. No.	Part No.	Part Name	Remarks	Q'ty
① 1	948 0021 406	Head holder	Deck 1	1	46	948 0003 806	P.board		1
	948 0020 009	Head holder	Deck 2	1	47	948 0003 916	Housing	Deck 1	1
2	948 0000 207	Head frame		1		948 0020 504	Housing	Deck 2	1
3	948 0000 304	Head lever		1	48	948 0022 201	Belt	Deck 1 only	1
4	948 0000 401	Azimuth spring		1	49	948 0022 308	Holder Ass'y	Deck 1 only	1
5	948 0000 508	Assist arm Ass'y		1	61	948 0004 708	Spring		1
6	948 0000 605	Head arm gear		1	62	948 0004 711	Spring		1
7	948 0005 008	Cassette spring		1	63	948 0004 724	Spring		1
8	948 0005 105	Lock eject		1	64	948 0006 405	Spring		1
9	948 0005 202	Reel cap		2	65	948 0004 740	Spring		1
10	948 0000 809	Pinch arm L Ass'y		1	66	948 0004 753	Spring		1
11	948 0000 906	Head chassis		1	67	948 0006 502	Spring		1
12	948 0001 002	Pinch arm R Ass'y		1	68	948 0006 418	Spring		1
13	948 0010 200	Play arm L		1	69	948 0004 779	Spring		1
14	948 0010 307	Play gear		2	70	948 0004 782	Spring		1
15	948 0010 213	Play arm R		1	71	948 0020 601	Spring		1
16	948 0001 400	OS chassis		1	72	948 0022 405	Spring		1
17	948 0005 309	Sub reel L Ass'y		1	73	948 0006 528	Spring		1
18	948 0001 617	Solenoid	Deck 1	1	74	—	—		
	948 0001 604	Solenoid	Deck 2	1	75	—	—		
19	948 0021 503	Wire Ass'y		1	76	—	—		
20	948 0001 808	RVS arm		1	77	—	—		
21	948 0001 905	FF gear		1	78	—	—		
22	948 0002 001	FR arm Ass'y		1	79	—	—		
23	948 0002 108	FR pulley Ass'y		1	80	—	—		
24	948 0021 600	FR belt		1	81	948 0004 805	Screw		2
25	948 0002 302	Metal		1	82	948 0006 609	Screw		1
② 26	948 0021 707	Flywheel L Ass'y		1	83	948 0006 706	Screw		1
27	948 0002 315	Metal		1	84	948 0021 325	Screw		2
28	948 0002 506	Brake arm		1	85	948 0021 338	Screw		2
29	948 0001 510	Sub reel R Ass'y		1	86	948 0004 850	Screw		1
30	948 0002 603	Trigger arm		1	87	948 0021 341	Screw	Deck 1 only	1
31	948 0002 700	Cam gear		1	88	—	—		
32	948 0005 600	Metal		1	89	—	—		
33	948 0021 710	Flywheel R Ass'y		1	101	948 0021 354	Washer		2
34	948 0002 331	Metal		1	102	948 0004 915	Washer		1
35	948 0021 804	11P Wire Ass'y	Deck 1	1	103	948 0004 928	Washer		2
	948 0002 823	13P Wire Ass'y	Deck 2	1	104	948 0004 931	Washer	Deck 1 only	1
36	948 0002 904	Wire holder		1	105	948 0021 367	Washer		1
37	948 0020 203	P.board		1	106	948 0021 370	Washer		1
38	948 0003 107	Switch(SW150 or MTS)	SW150 or MTS10101MMB	1	TAPE DECK -1,2 MECHANISM				
39	948 0021 901	Leaf switch	MTS10041 Deck 1	2	1	948 0021 008	Motor Ass'y		1
	948 0021 901	Leaf switch	MTS10041 Deck 2	4	2	948 0006 007	Wire		1
40	927 0073 017	IC DN6851A or LB9051A		1	3	948 0021 105	Motor bracket		1
41	948 0022 007	FW bracket		1	4	948 0021 202	Spacer		1
42	948 0003 505	Pulley	Deck 1 only	1	5	948 0021 309	Screw 2.6x7		2
43	—	—			6	948 0021 312	Screw 2x4		2
44	—	—							
45	948 0022 104	Belt	Deck 1	1					
	948 0022 502	Belt	Deck 2	1					