

SCHEMATIC DIAGRAMS (1/9)

1

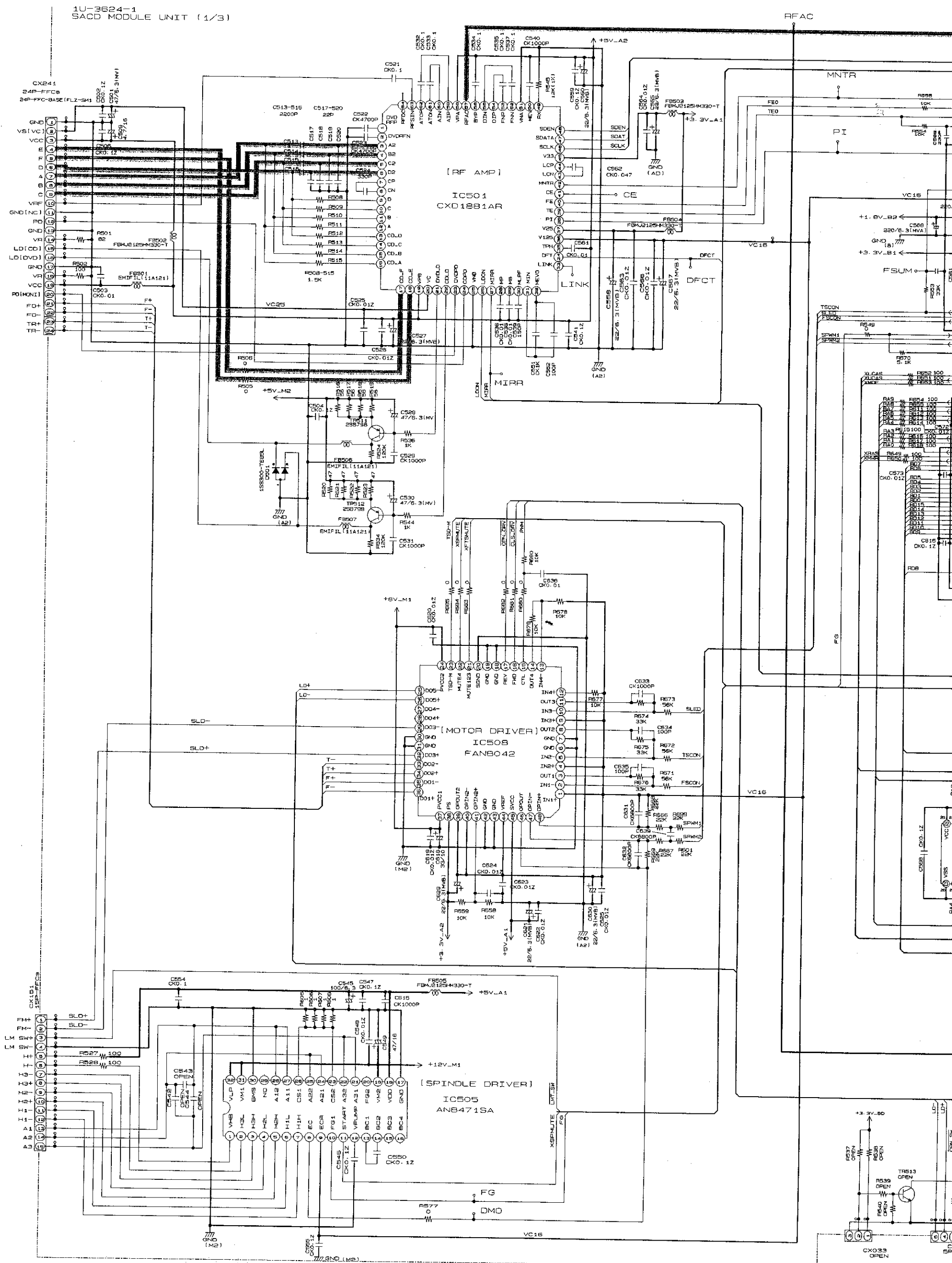
2

3

4

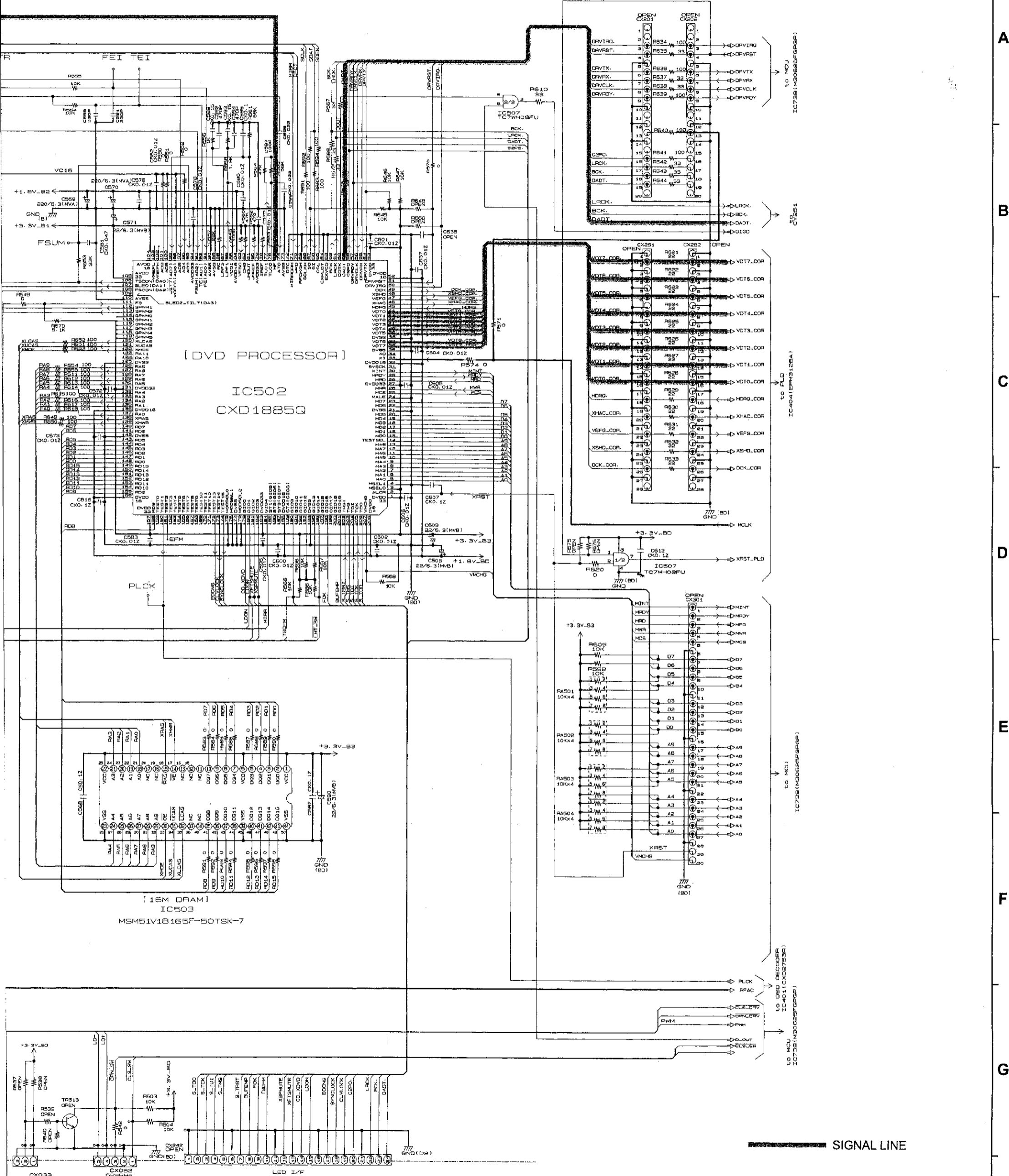
5

6



6 7 8 9 10 11

A  
B  
C  
D  
E  
F  
G  
H



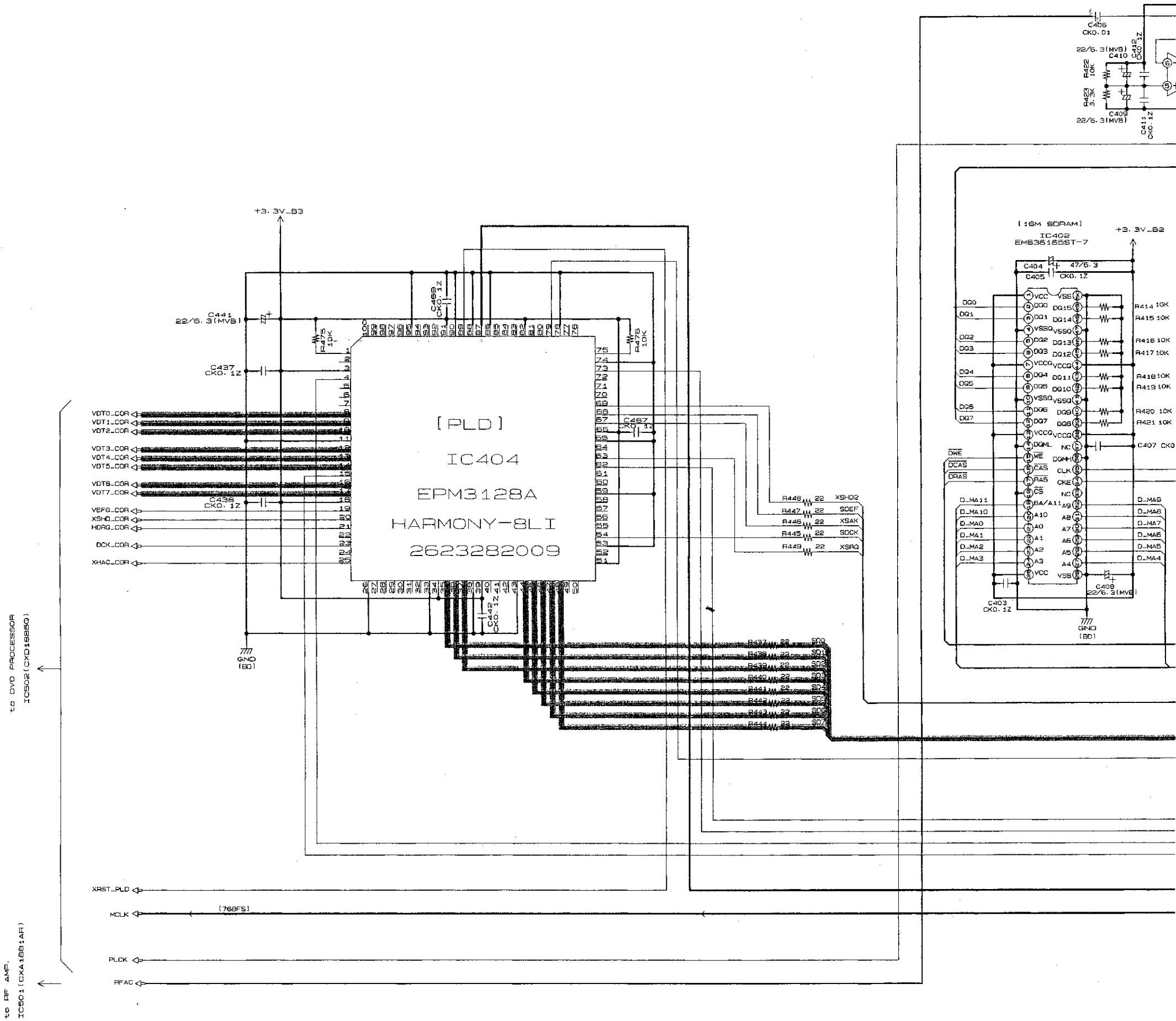
SIGNAL LINE

SCHEMATIC DIAGRAMS (1/9)  
1U-3624A SACD MODULE UNIT (1/3)



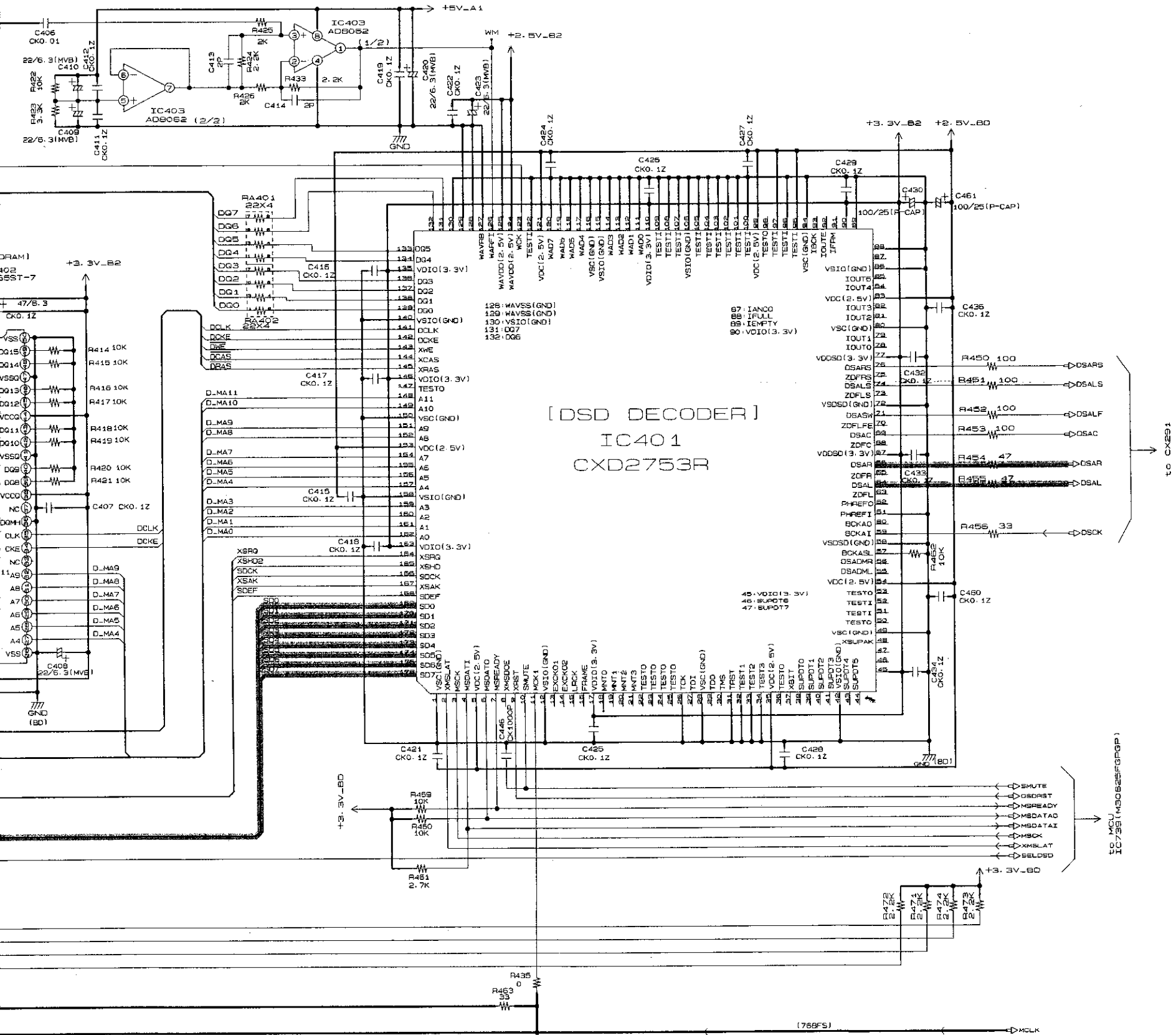
SCHEMATIC DIAGRAMS (2/9)

1 2 3 4 5 6



7 8 9 10 11

A  
B  
C  
D  
E  
F  
G  
H



SCHEMATIC DIAGRAMS (2/9)  
1U-3624A SACD MODULE UNIT (2/3)

SCHEMATIC DIAGRAMS (3/9)

1

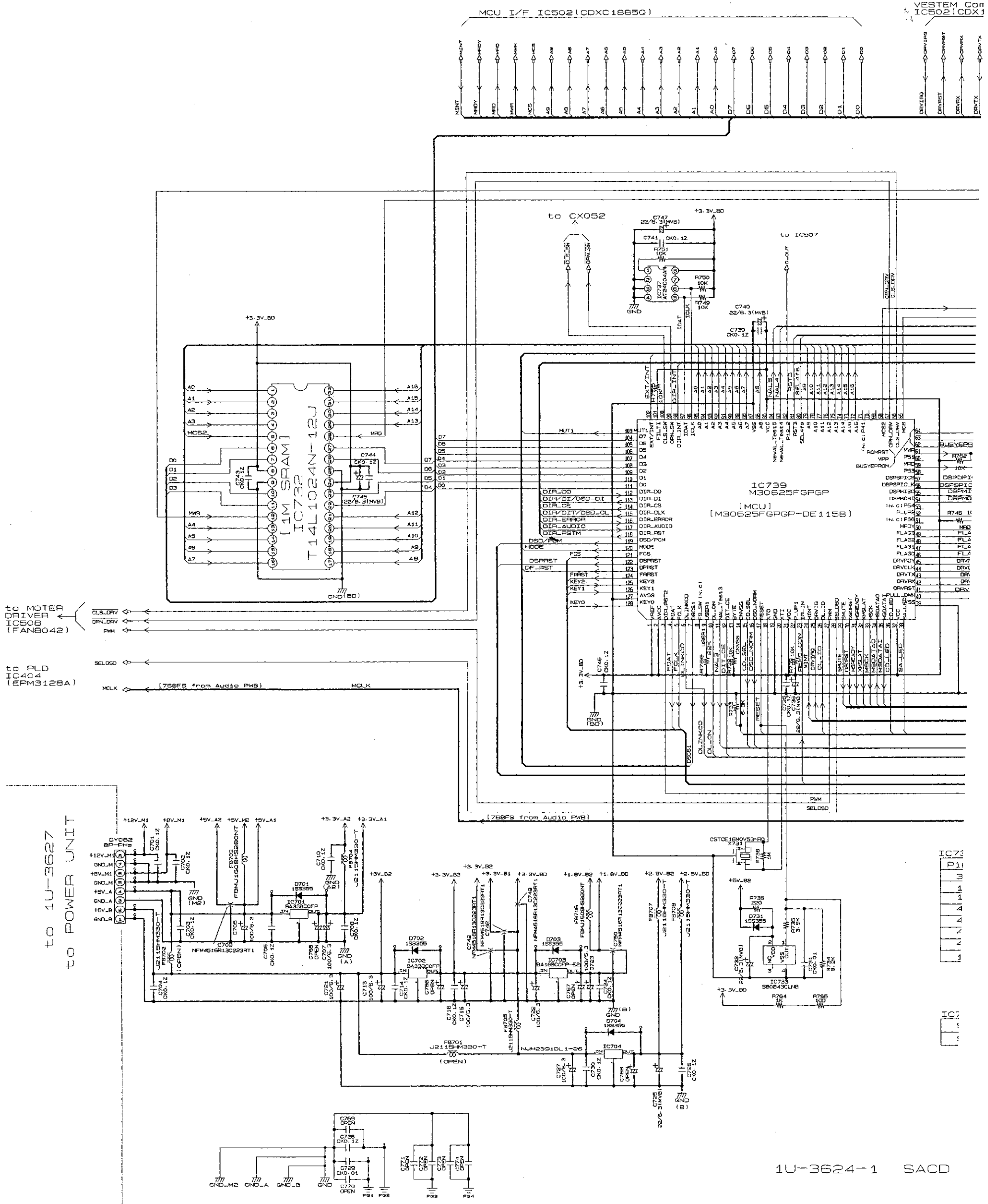
2

3

4

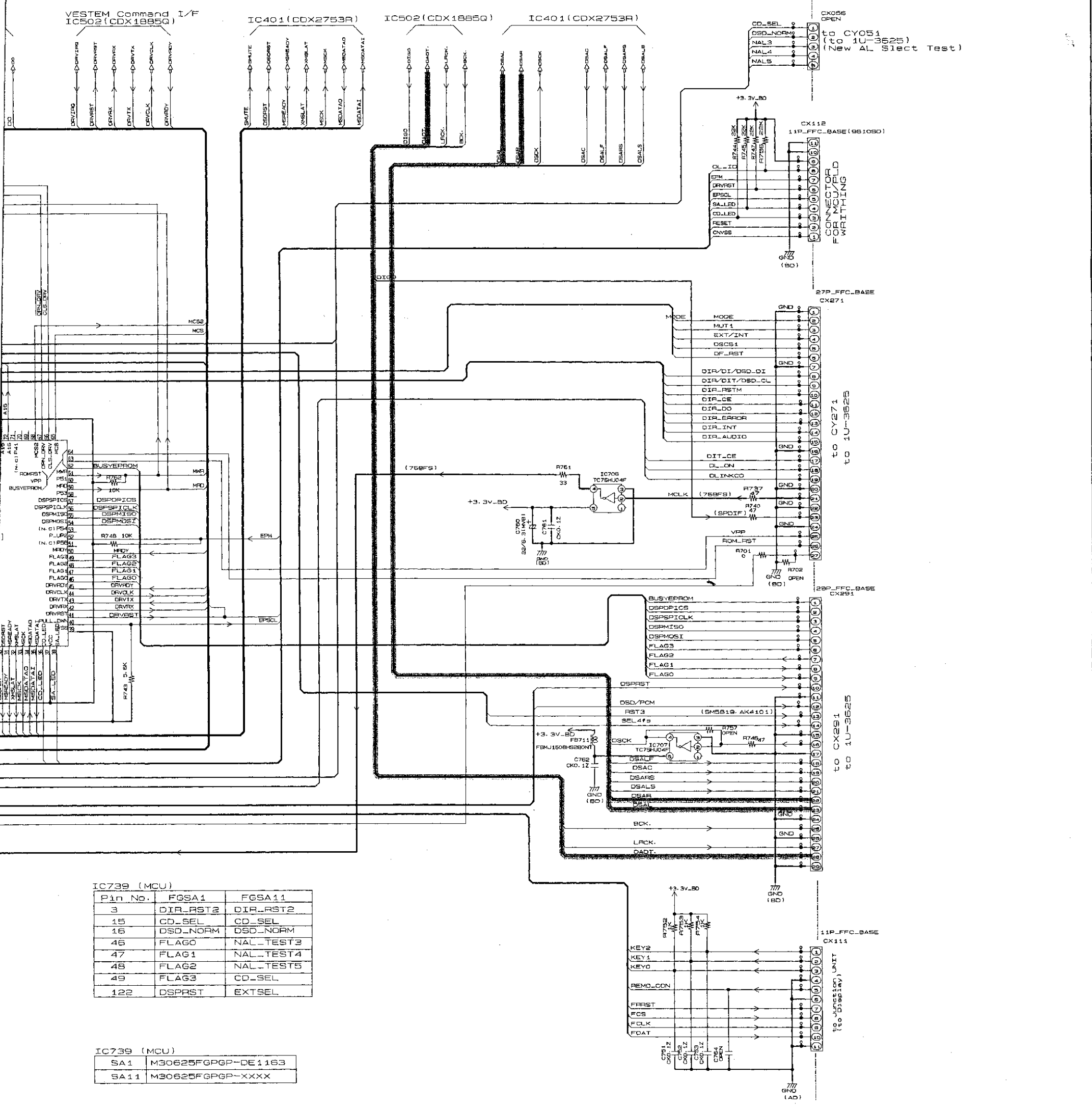
5

6



6 7 8 9 10 11

A  
B  
C  
D  
E  
F  
G  
H



IC739 (MCU)

| Pin No. | FGSA1    | FGSA11    |
|---------|----------|-----------|
| 3       | DIR_RST2 | DIR_RST2  |
| 15      | CD_SEL   | CD_SEL    |
| 16      | DSD_NORM | DSD_NORM  |
| 46      | FLAG0    | NAL_TEST3 |
| 47      | FLAG1    | NAL_TEST4 |
| 48      | FLAG2    | NAL_TEST5 |
| 49      | FLAG3    | CD_SEL    |
| 122     | DSPRST   | EXTSEL    |

IC739 (MCU)

|      |                    |
|------|--------------------|
| SA1  | M30625FGPGP-DE1163 |
| SA11 | M30625FGPGP-XXXX   |

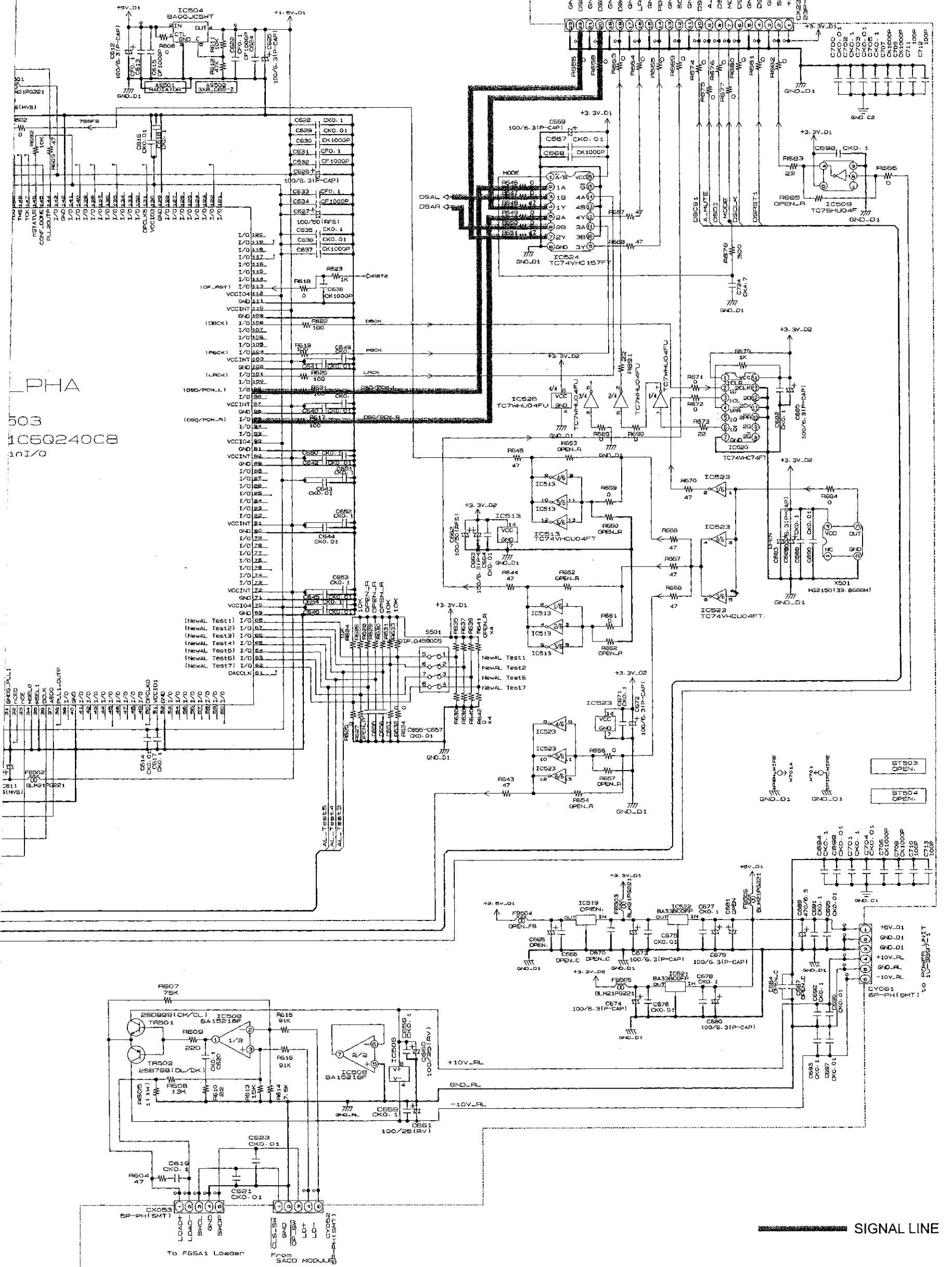
SIGNAL LINE

SCHEMATIC DIAGRAMS (3/9)  
1U-3624A SCD MODULE UNIT (3/3)



7 8 9 10 11

U-3662-1  
AL I/F UNIT (1/1)

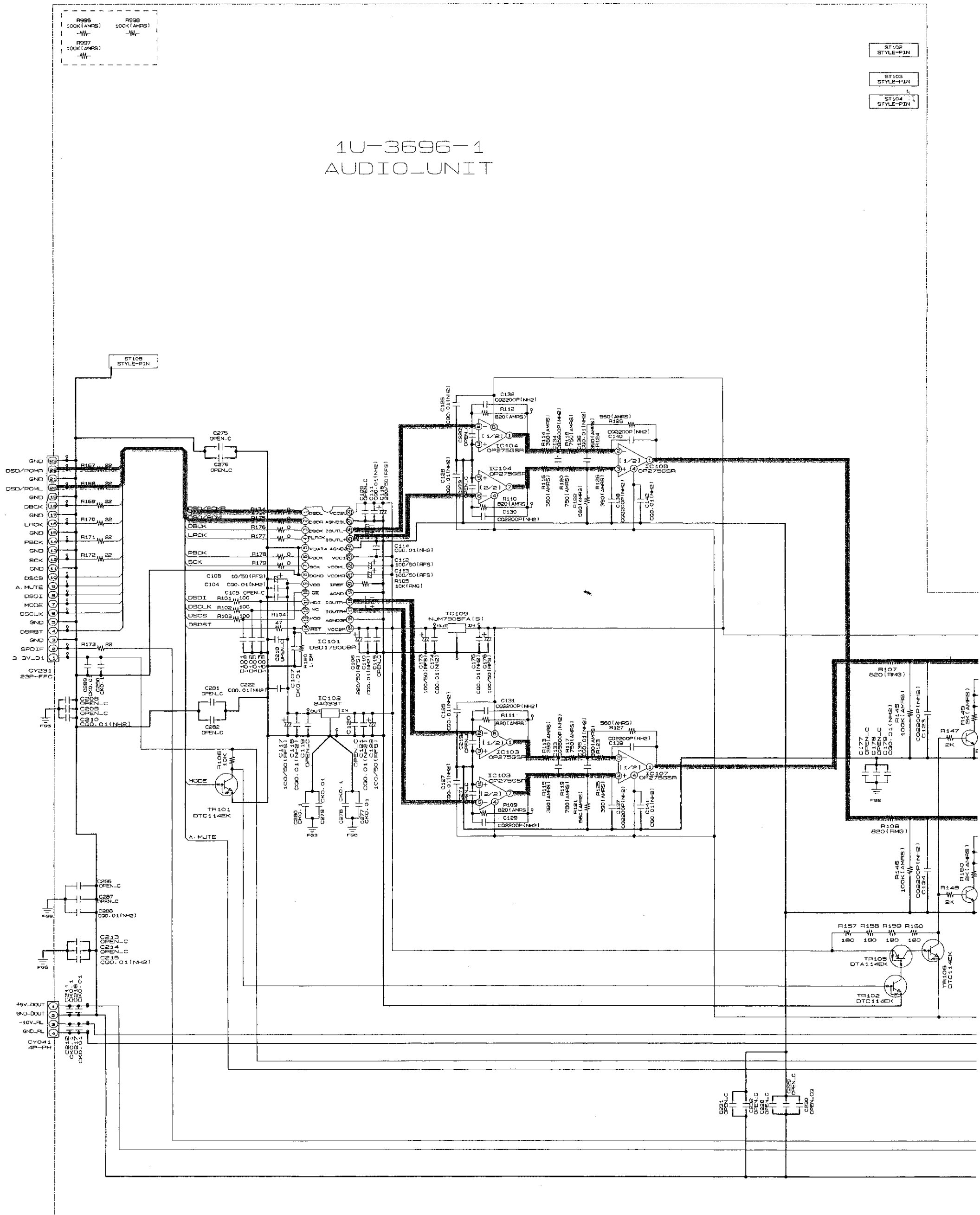


A  
B  
C  
D  
E  
F  
G  
H

SCHEMATIC DIAGRAMS (4/9)  
1U-3662A DIGITAL I/F UNIT



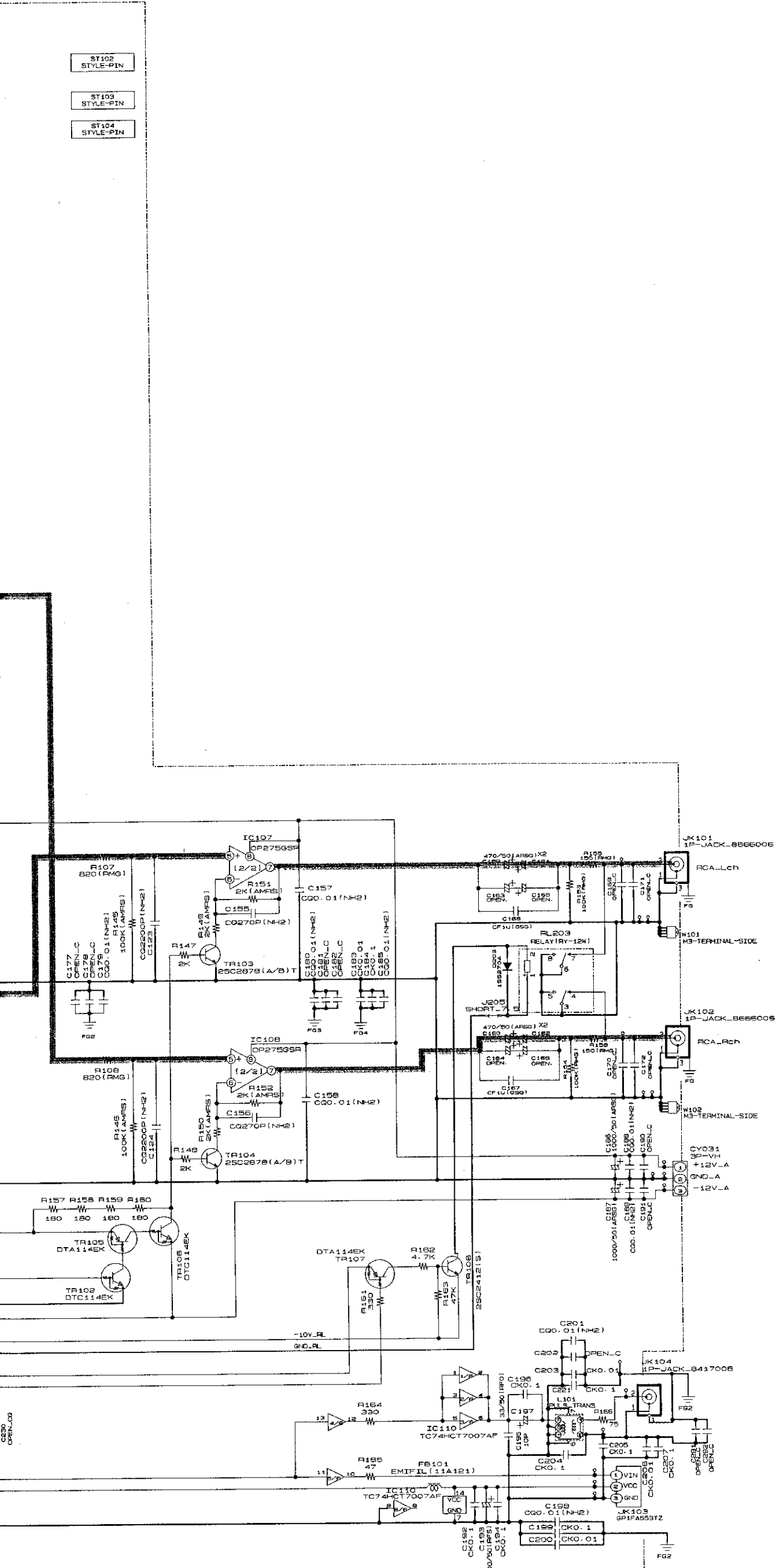
1U-3696-1  
AUDIO UNIT



6 7 8 9 10 11

A  
B  
C  
D  
E  
F  
G  
H

- ST102  
STYLE-PIN
- ST103  
STYLE-PIN
- ST104  
STYLE-PIN



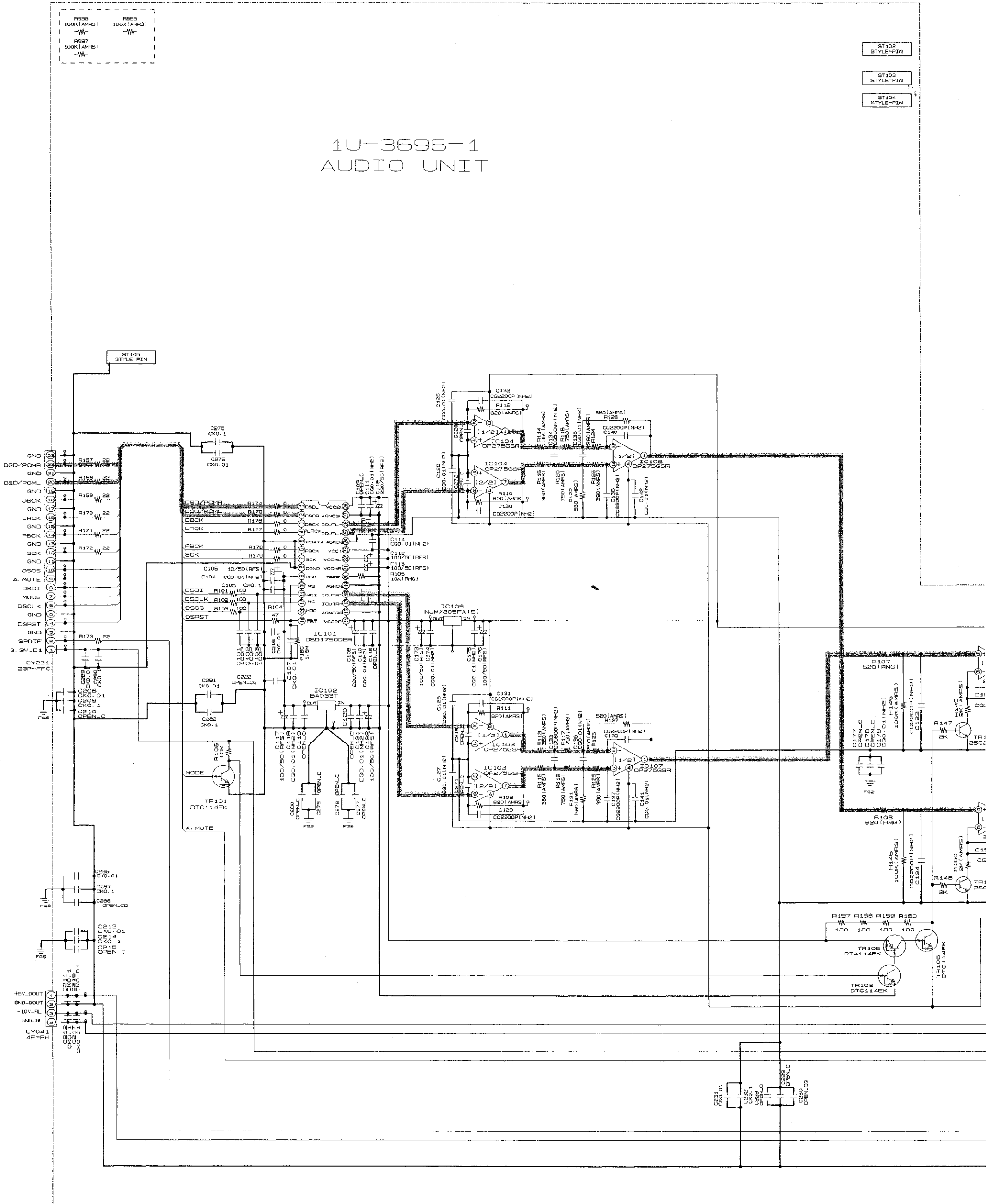
**SIGNAL LINE**

**SCHEMATIC DIAGRAMS (5/9)**  
1U-3696-1 AUDIO UNIT  
(DCD-1650AE model only)

SCHEMATIC DIAGRAMS (6/9)

1 2 3 4 5 6

1U-3696-1  
AUDIO\_UNIT

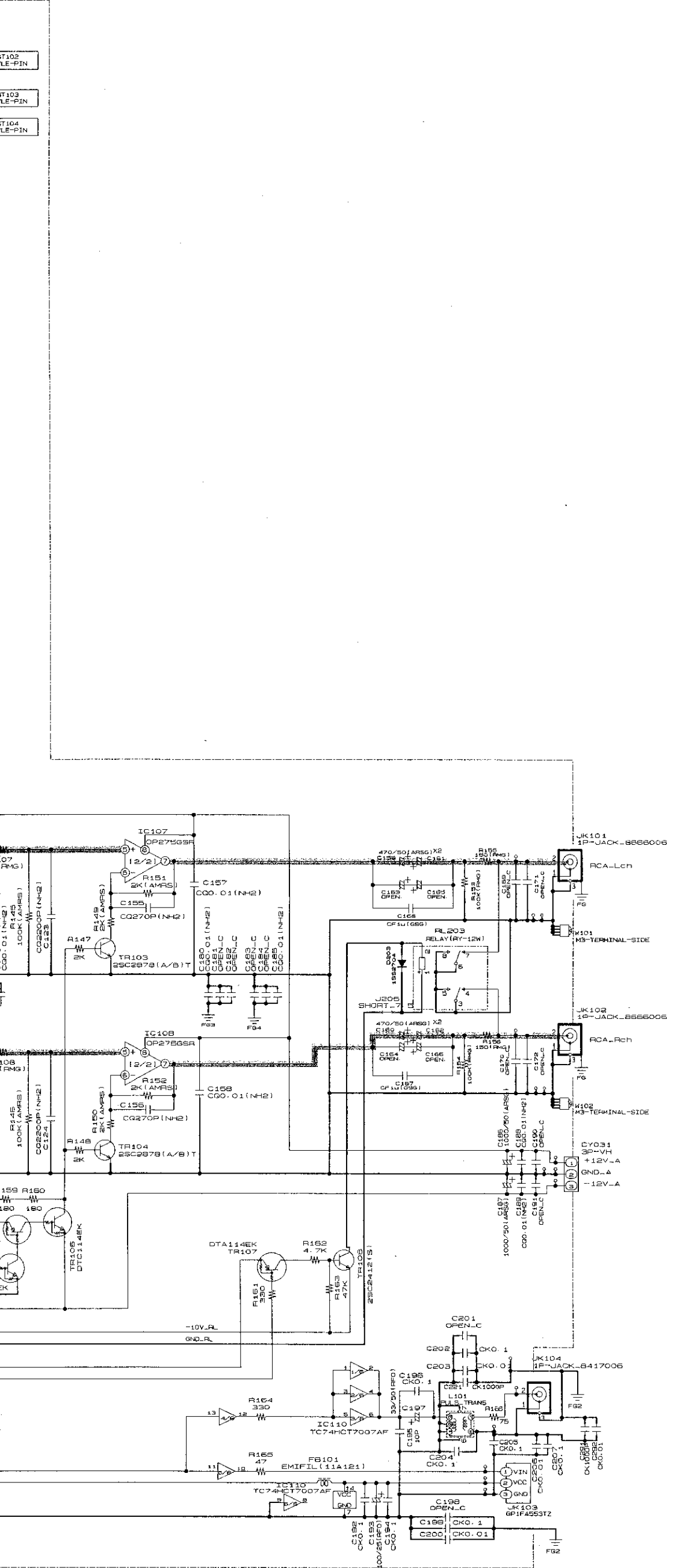


ST102  
STYLE-PIN

ST103  
STYLE-PIN

ST104  
STYLE-PIN

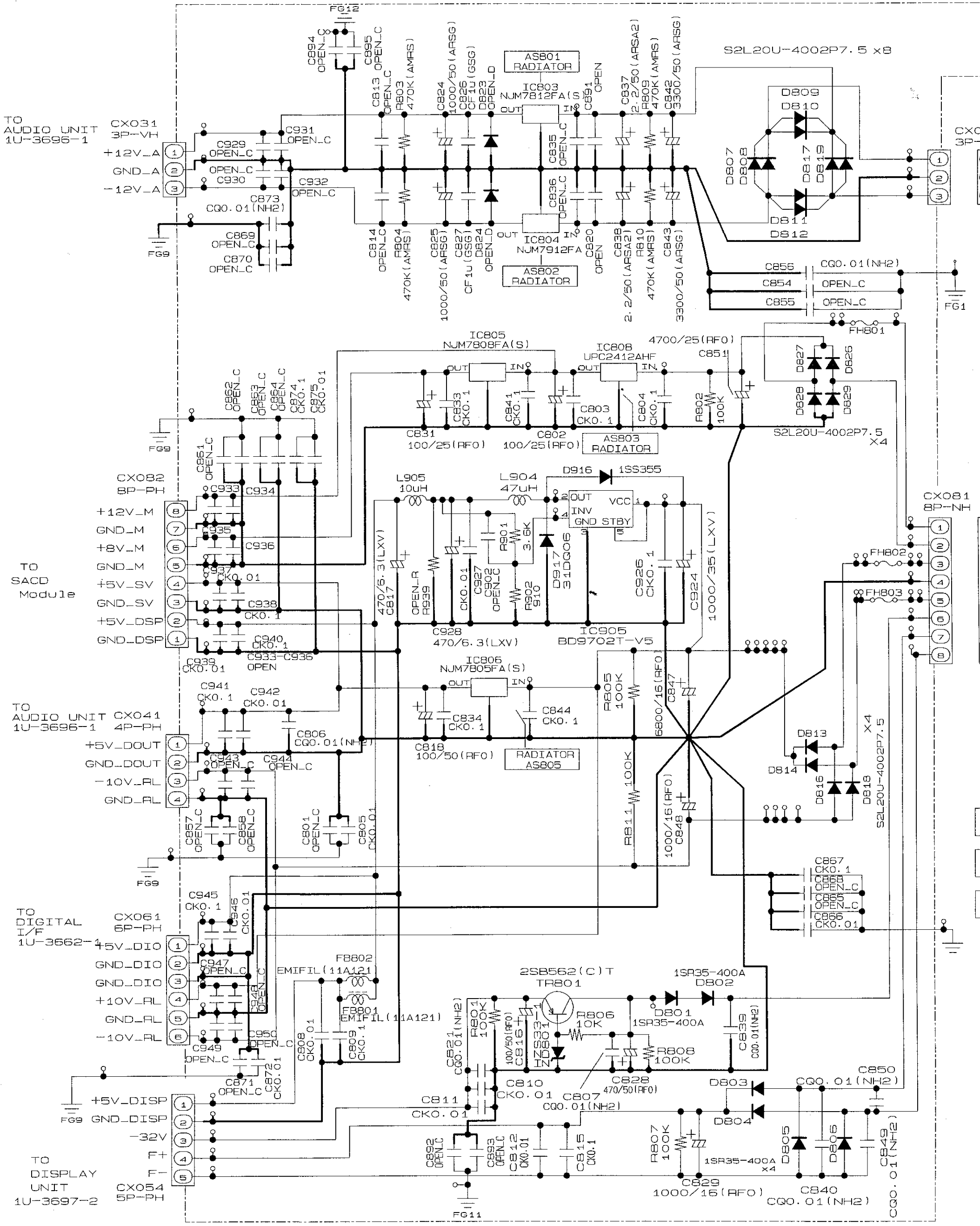
A  
B  
C  
D  
E  
F  
G  
H



SCHEMATIC DIAGRAMS (6/9)  
1U-3696-1 AUDIO UNIT  
(DCD-2000AE model only)

SCHEMATIC DIAGRAMS (7/9)

1 2 3 4 5 6



6

7

8

9

10

11

A

B

C

D

E

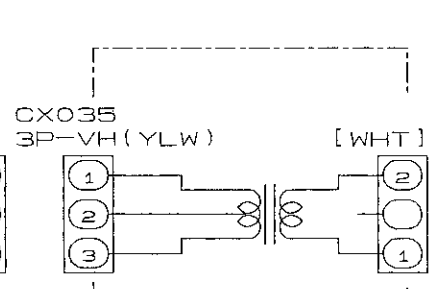
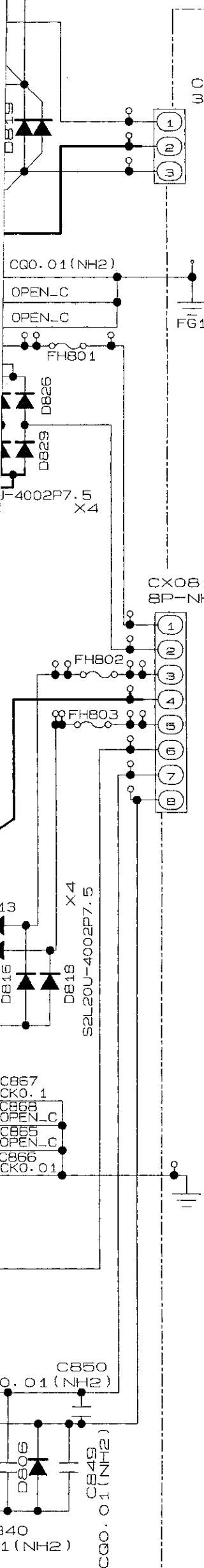
F

G

H

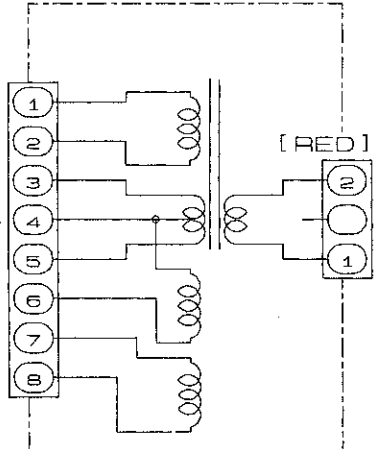
# 1U-3696-2 POWER UNIT

2P7.5 x8



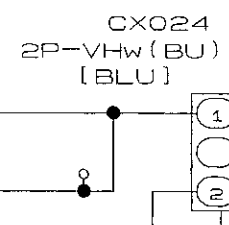
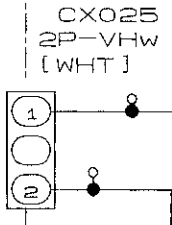
POWER TRANS (AUDIO) ⚠

- F801 FUSE 1.0A(T) ⚠
- F802 FUSE 1.6A(T) ⚠
- F803 FUSE 1.6A(T) ⚠

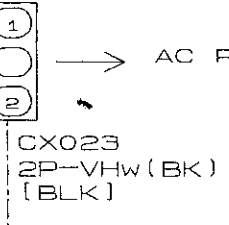
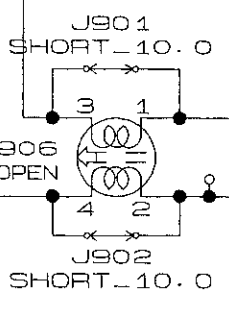
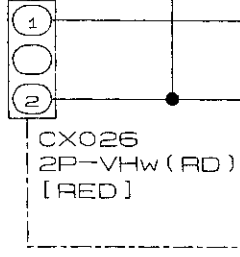


POWER TRANS (DIGITAL) ⚠

- ST801 STYLE-PIN
- ST802 STYLE-PIN
- ST803 STYLE-PIN



POWER SWITCH

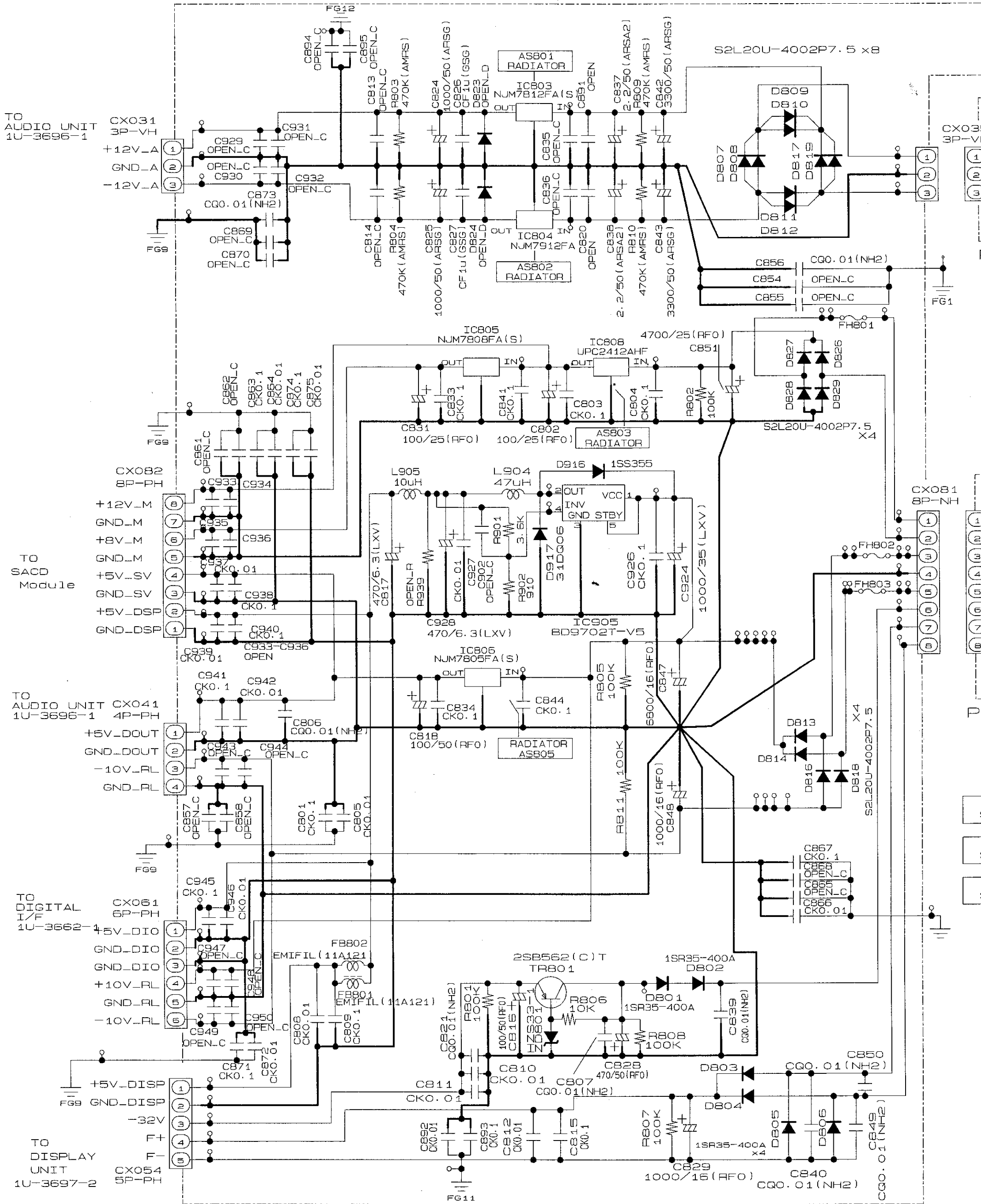


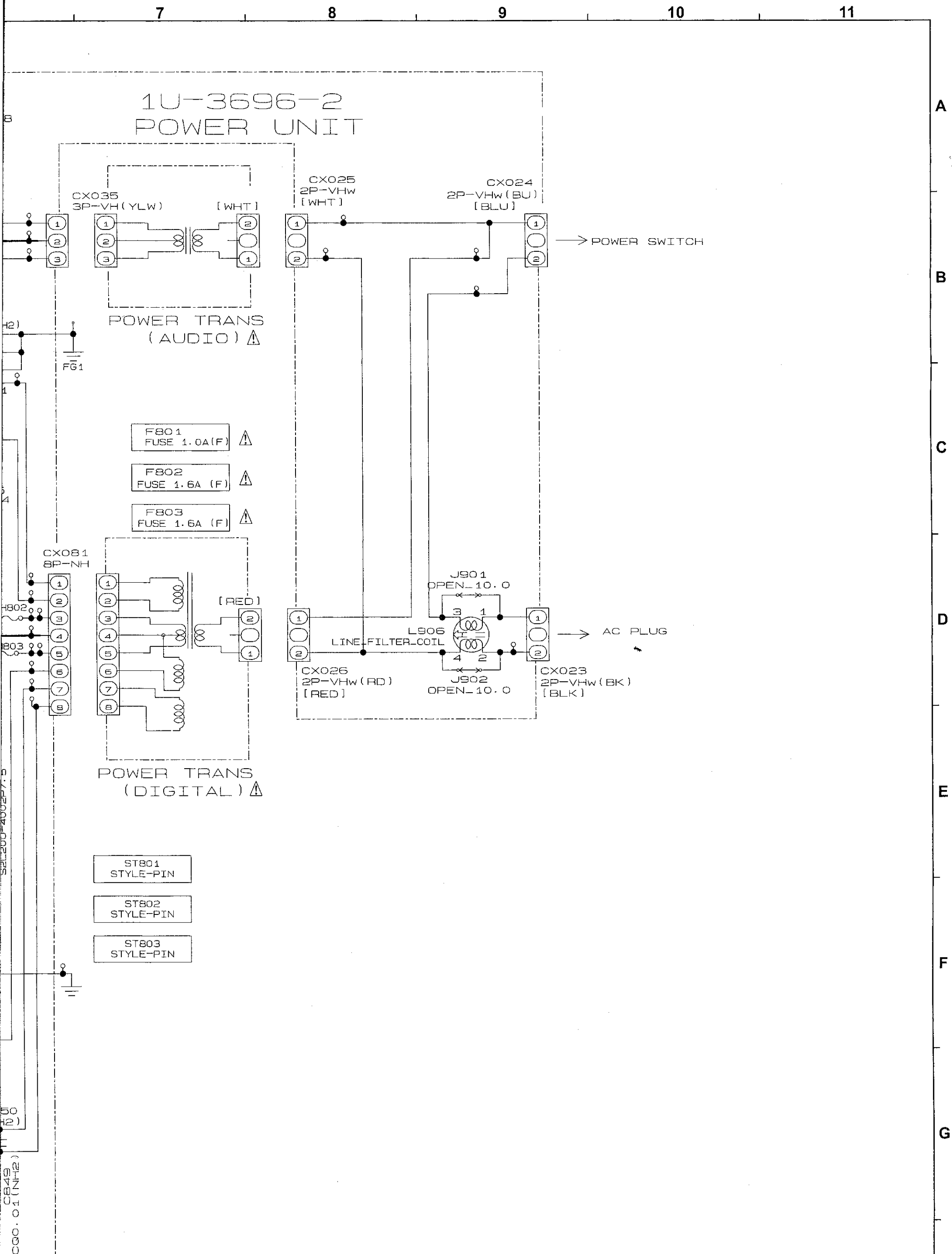
AC PLUG

SCHEMATIC DIAGRAMS (7/9)  
1U-3696-2 POWER UNIT  
(DCD-1650AE model only)

SCHEMATIC DIAGRAMS (8/9)

1 2 3 4 5 6





SCHMATIC DIAGRAMS (8/9)  
 1U-3696-2 POWER UNIT  
 (DCD-2000AE model only)



SCHEMATIC DIAGRAMS (9/9)

1

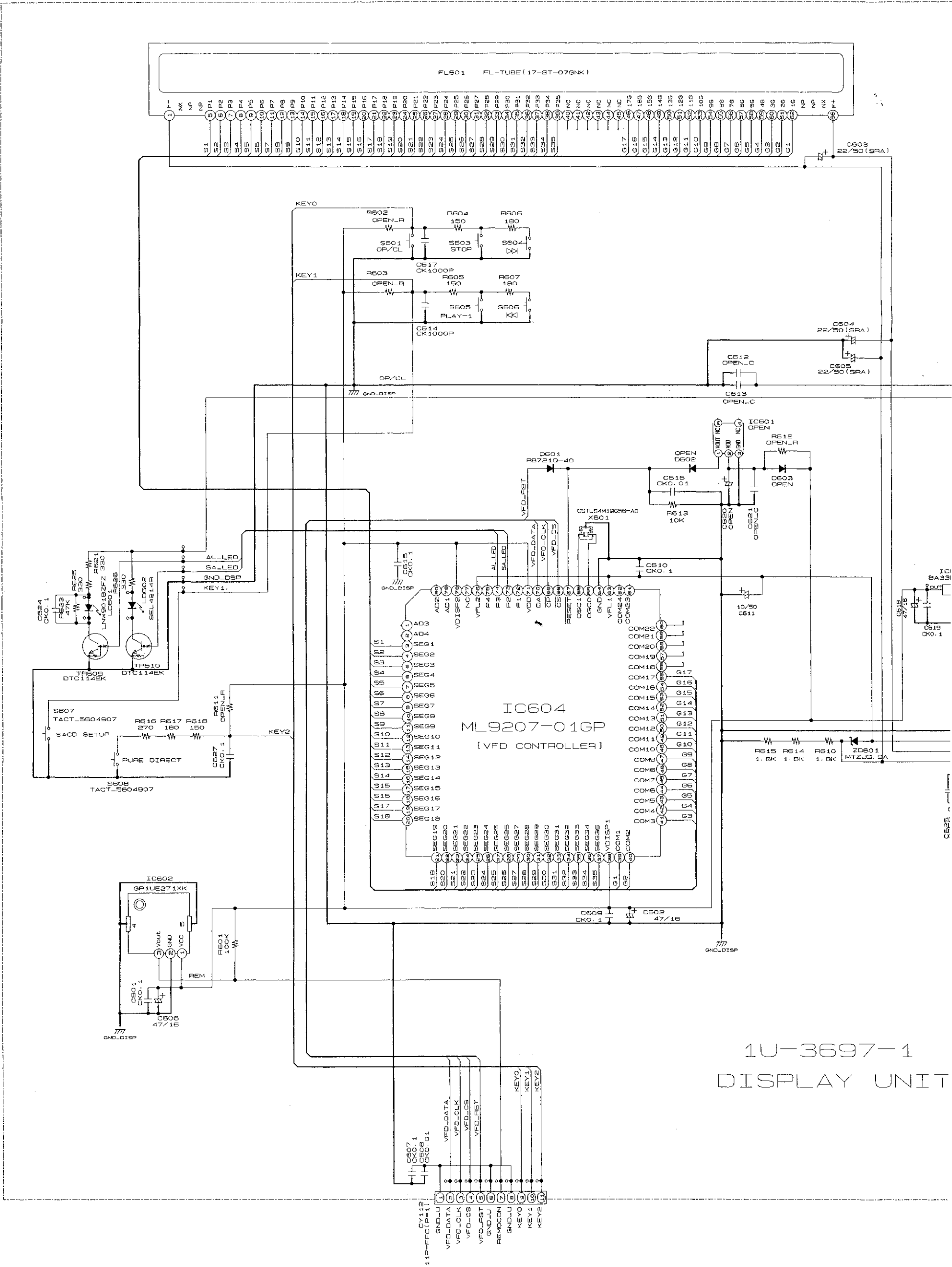
2

3

4

5

6



1U-3697-1  
DISPLAY UNIT

From DIGITAL I/F UNIT

6

7

8

9

10

11

A

B

C

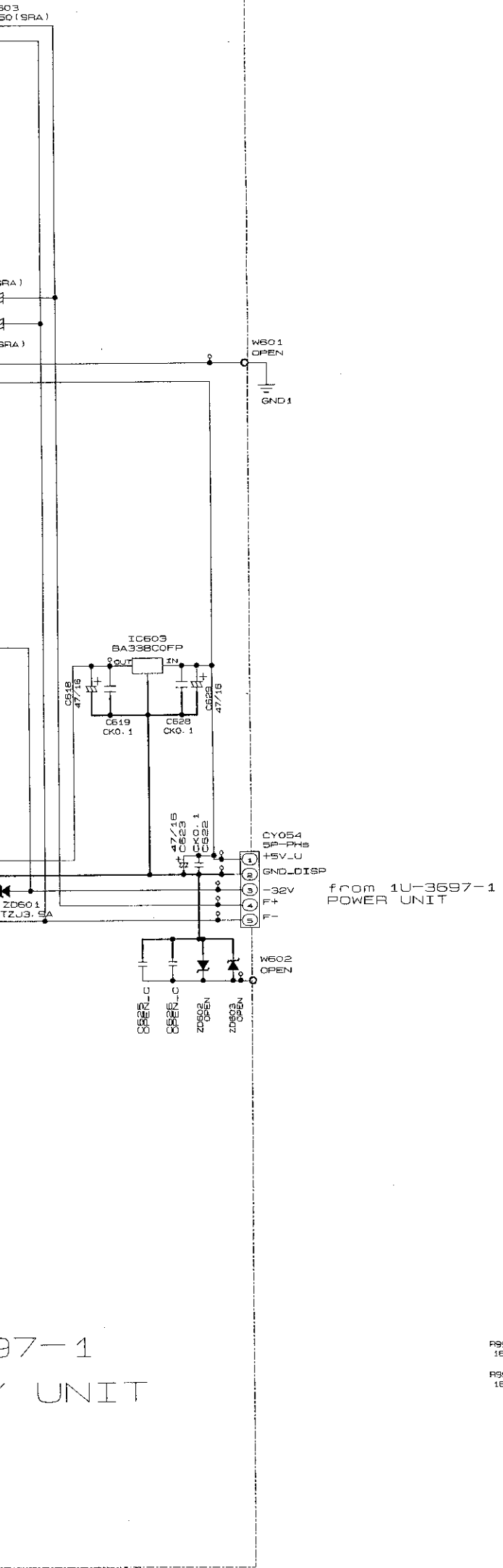
D

E

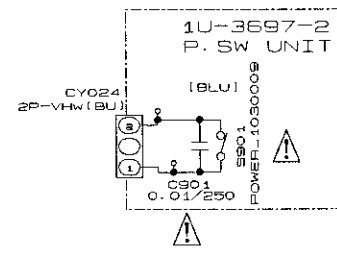
F

G

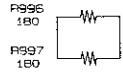
H



from 1U-3697-1  
POWER UNIT



3697-1  
UNIT



SCHEMATIC DIAGRAMS (9/9)  
1U-3697 DISPLAY UNIT