

SCHEMATIC DIAGRAMS (1/9)

1

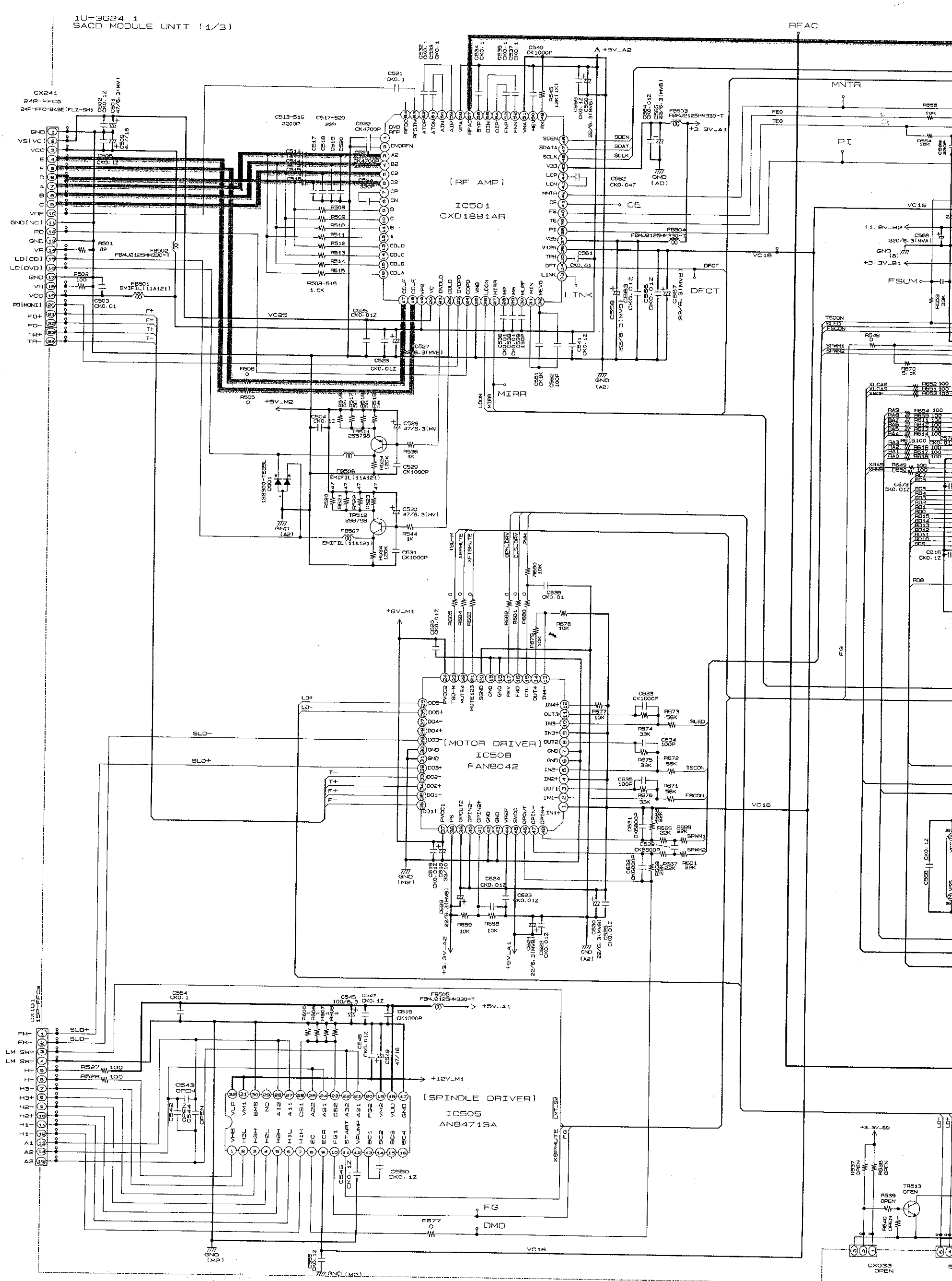
2

3

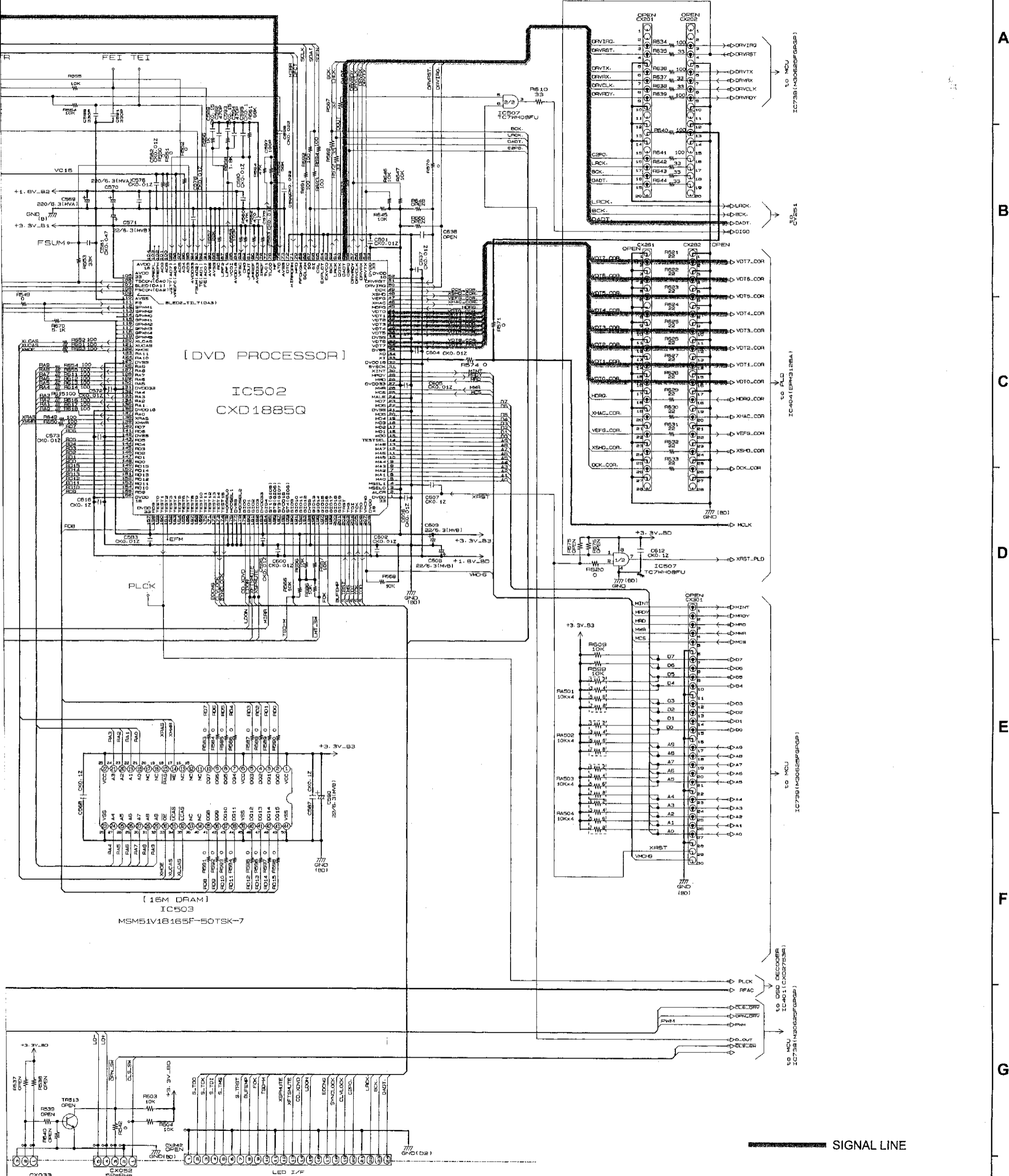
4

5

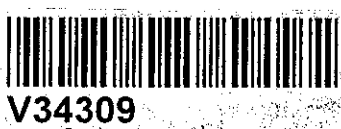
6



6 7 8 9 10 11



SCHEMATIC DIAGRAMS (1/9)
1U-3624A SACD MODULE UNIT (1/3)

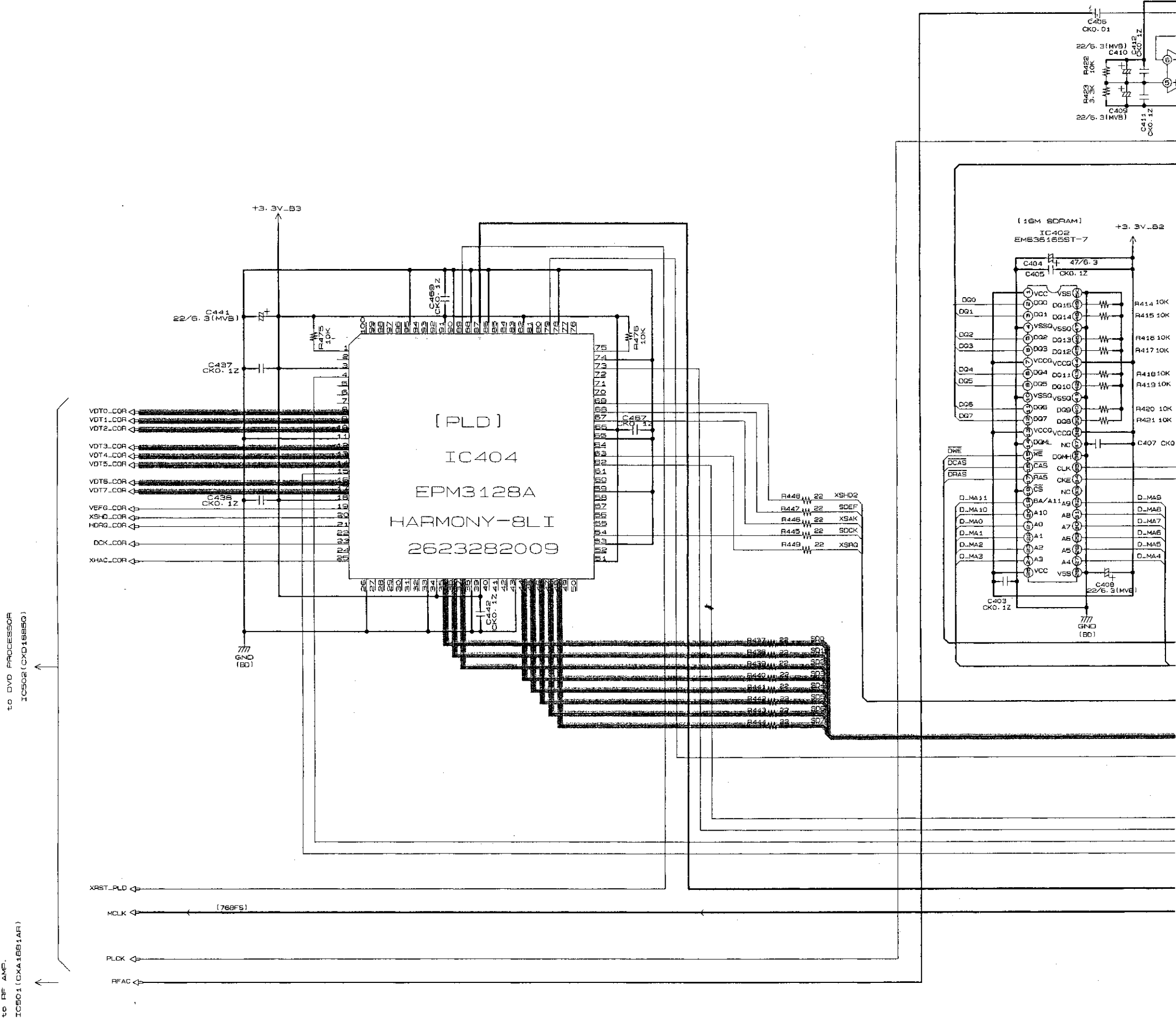


V34309

A
B
C
D
E
F
G
H

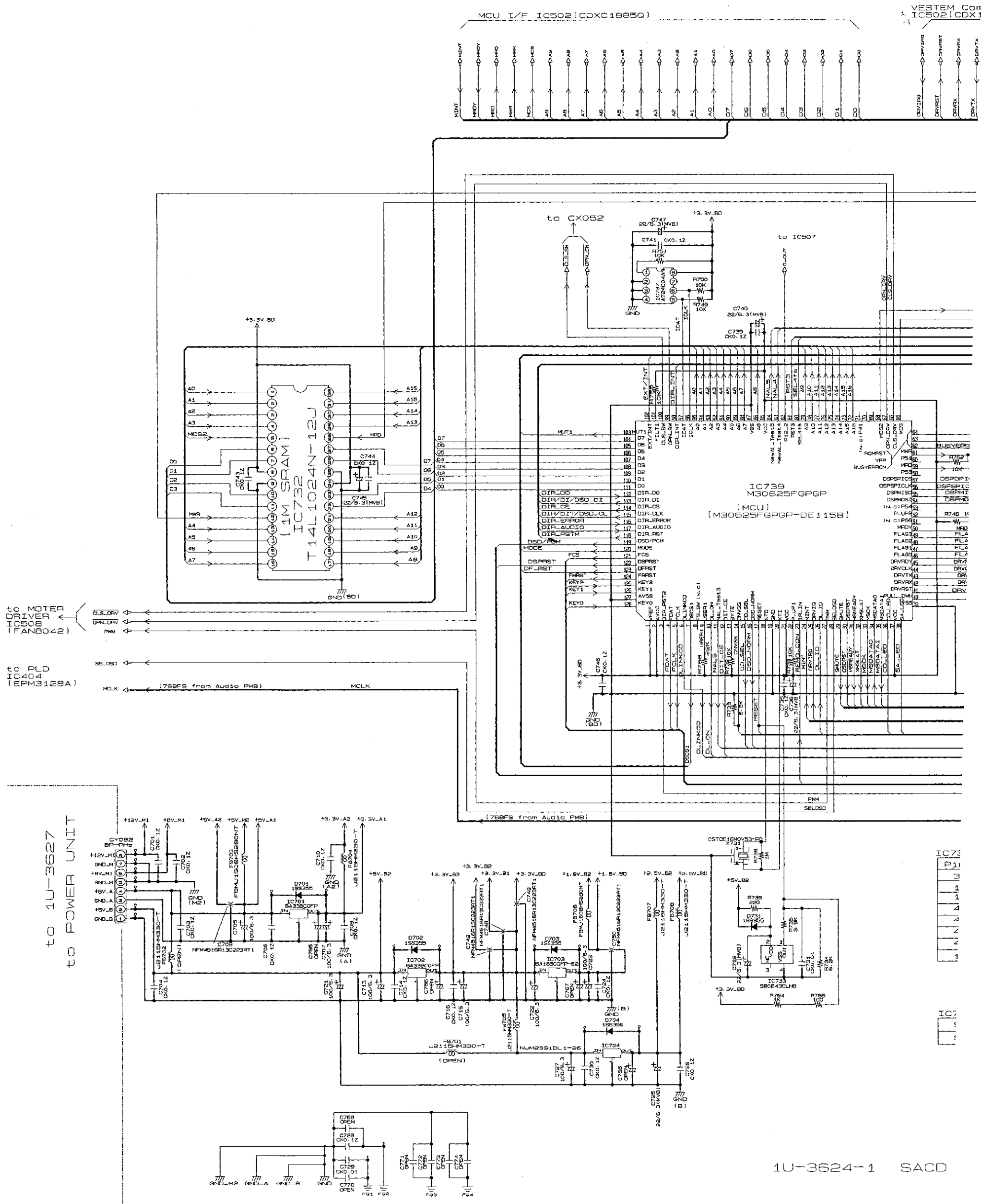
SCHEMATIC DIAGRAMS (2/9)

1 2 3 4 5 6



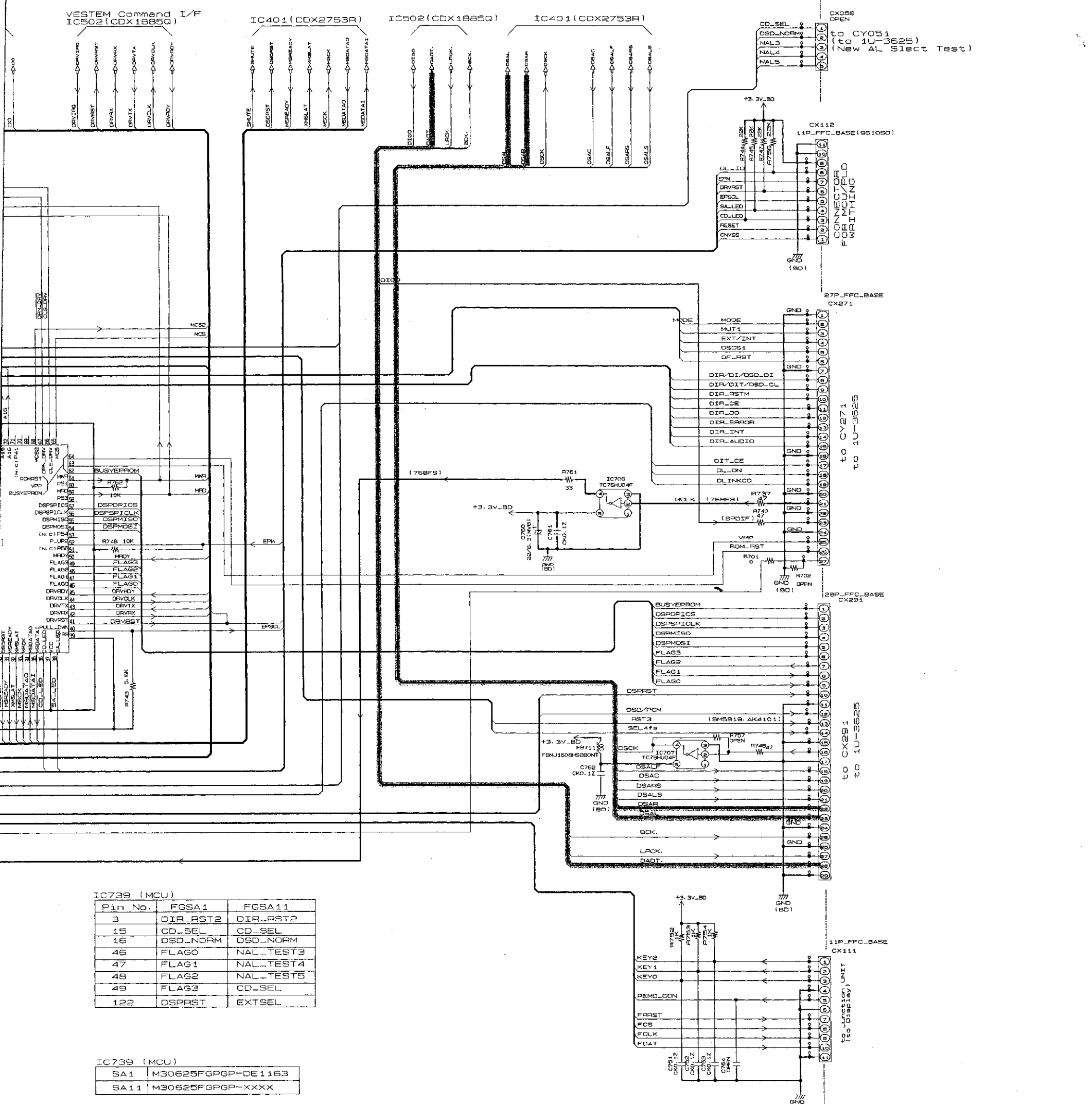
SCHEMATIC DIAGRAMS (3/9)

1 2 3 4 5 6



6 7 8 9 10 11

A
B
C
D
E
F
G
H



IC739 (MCU)

Pin No.	FGSA1	FGSA11
3	DIR_RST2	DIR_RST2
15	CD_SEL	CD_SEL
16	DSD_NORM	DSD_NORM
46	FLAG0	NAL_TEST3
47	FLAG1	NAL_TEST4
48	FLAG2	NAL_TEST5
49	FLAG3	CD_SEL
122	DSRST	EXTSEL

IC739 (MCU)

SA1	M30625FGPGP-DE1163
SA11	M30625FGPGP-XXXX

SIGNAL LINE

SCHEMATIC DIAGRAMS (4/9)

1

2

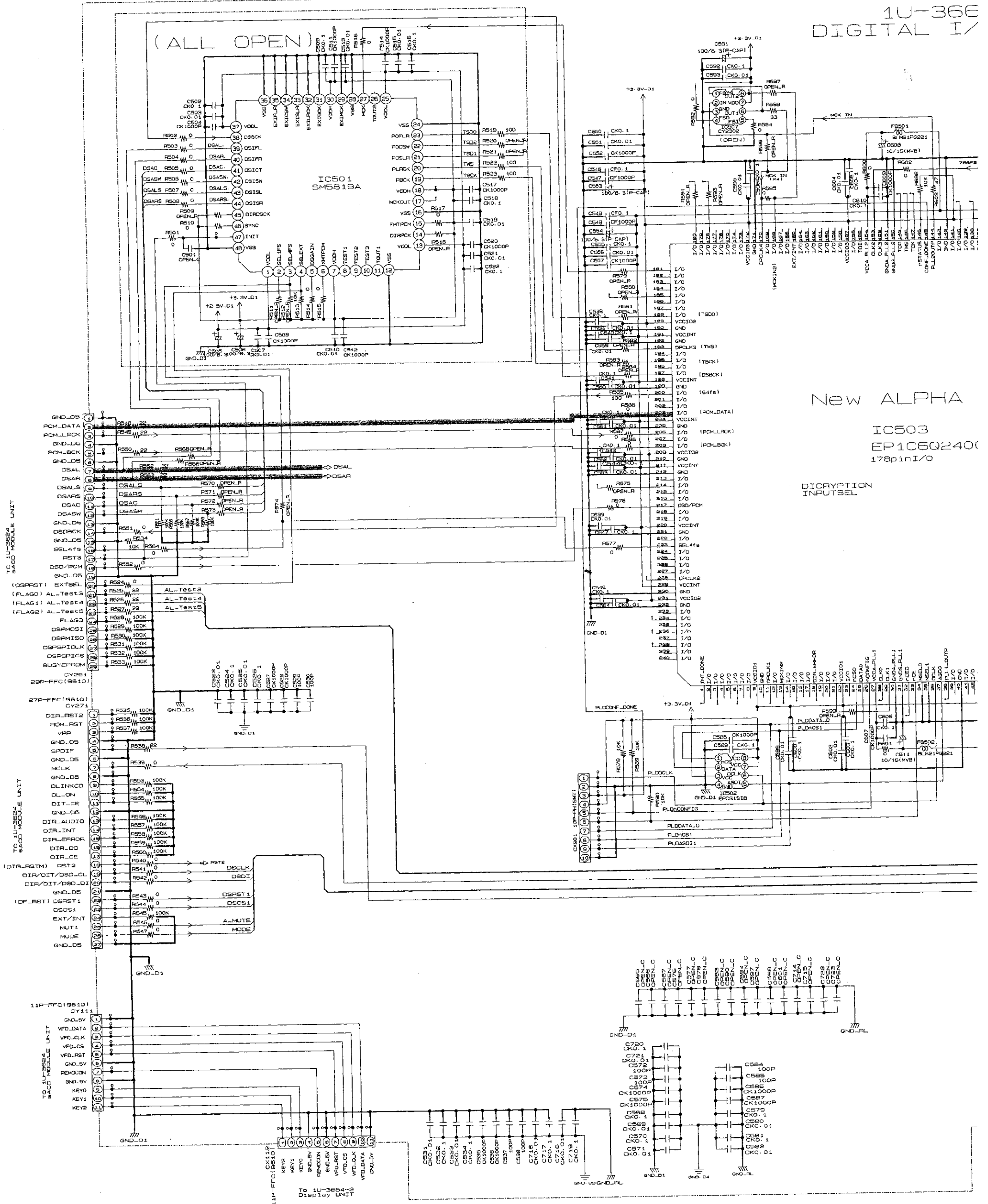
3

4

5

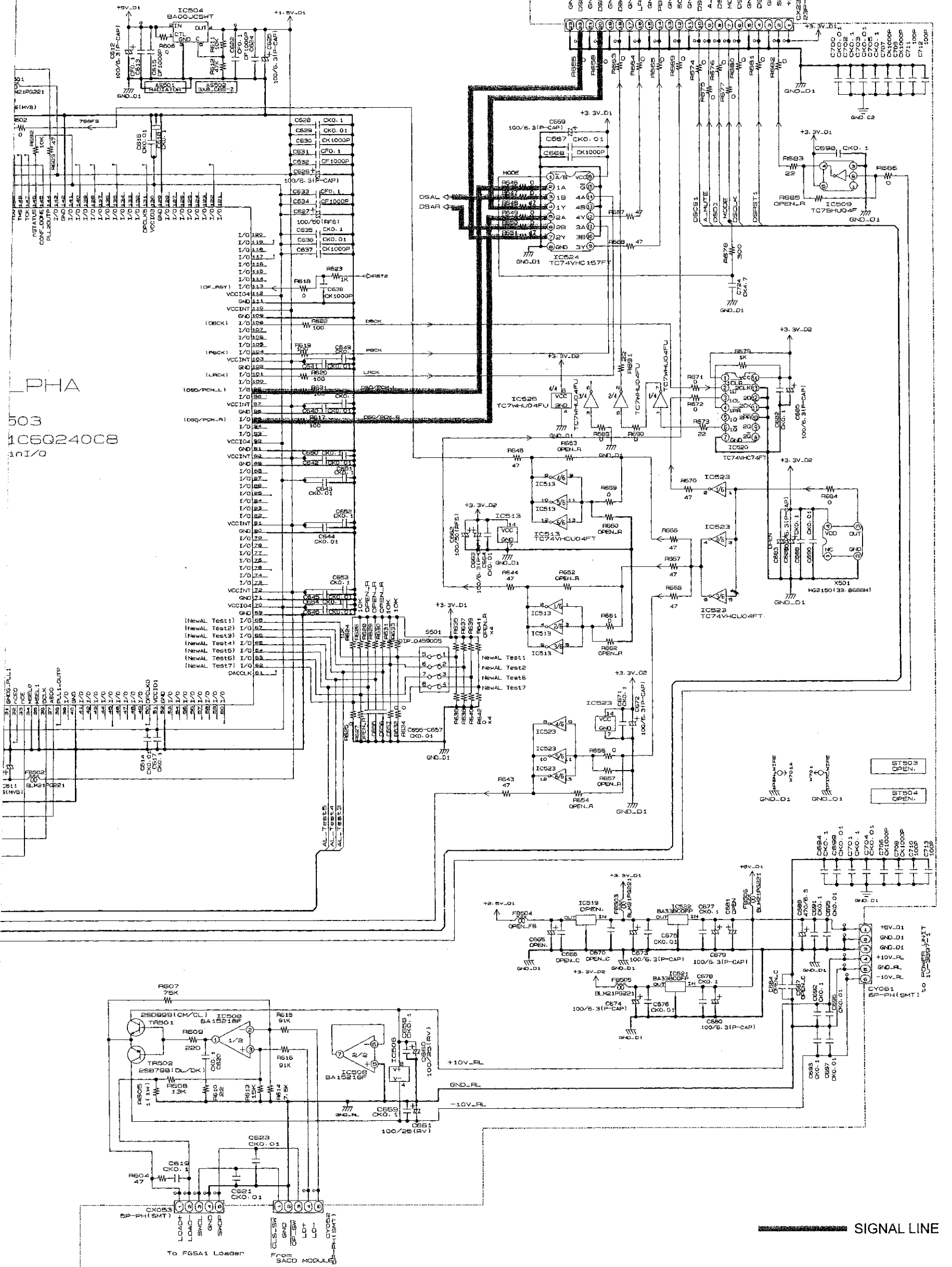
6

1U-36E
DIGITAL I/O



7 8 9 10 11

U-3662-1
AL I/F UNIT (1/1)



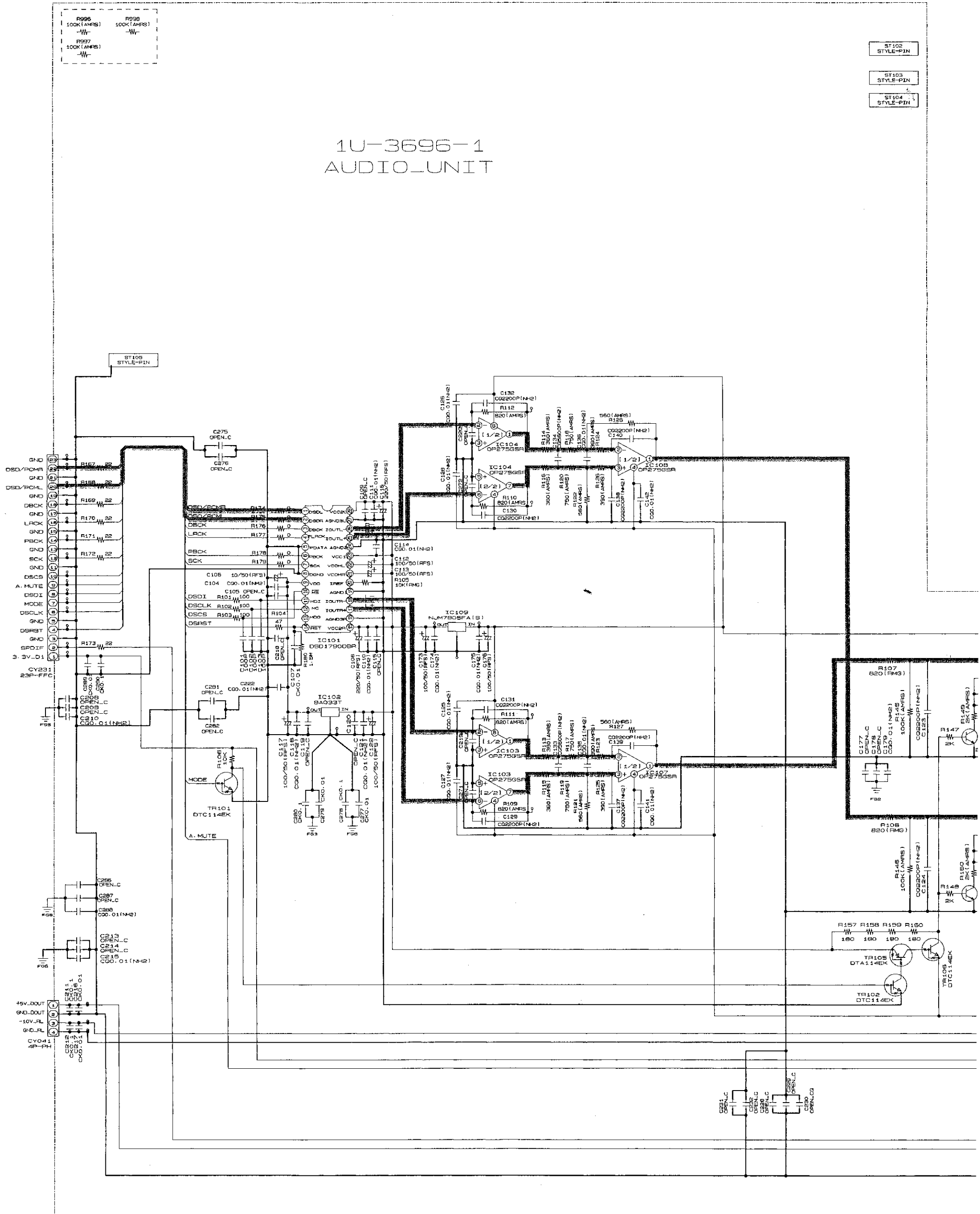
A
B
C
D
E
F
G
H

SIGNAL LINE
SCHEMATIC DIAGRAMS (4/9)
1U-3662A DIGITAL I/F UNIT

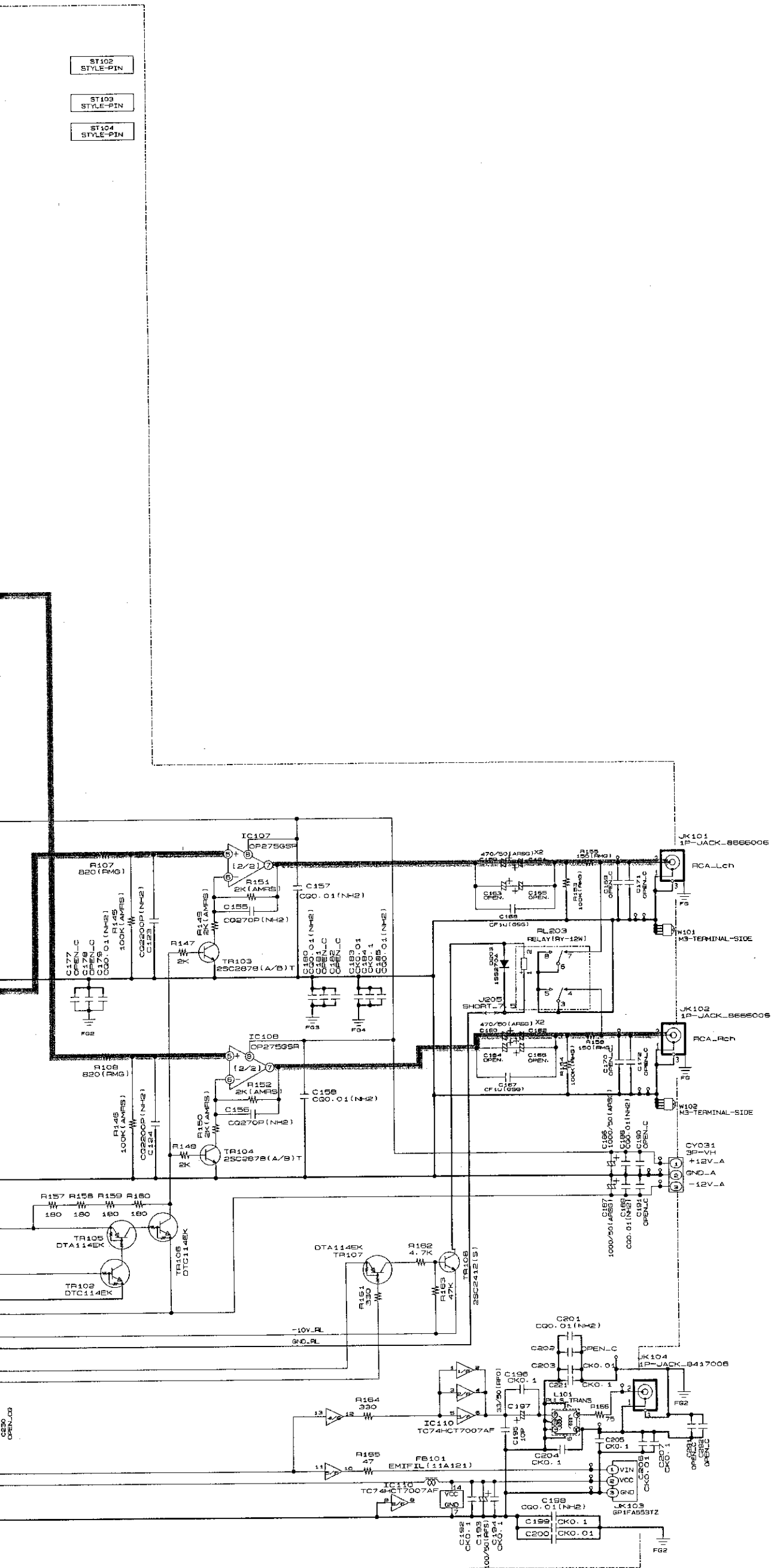
SCHEMATIC DIAGRAMS (5/9)

1 2 3 4 5 6

1U-3696-1
AUDIO UNIT



- ST102 STYLE-PIN
- ST103 STYLE-PIN
- ST104 STYLE-PIN



SIGNAL LINE

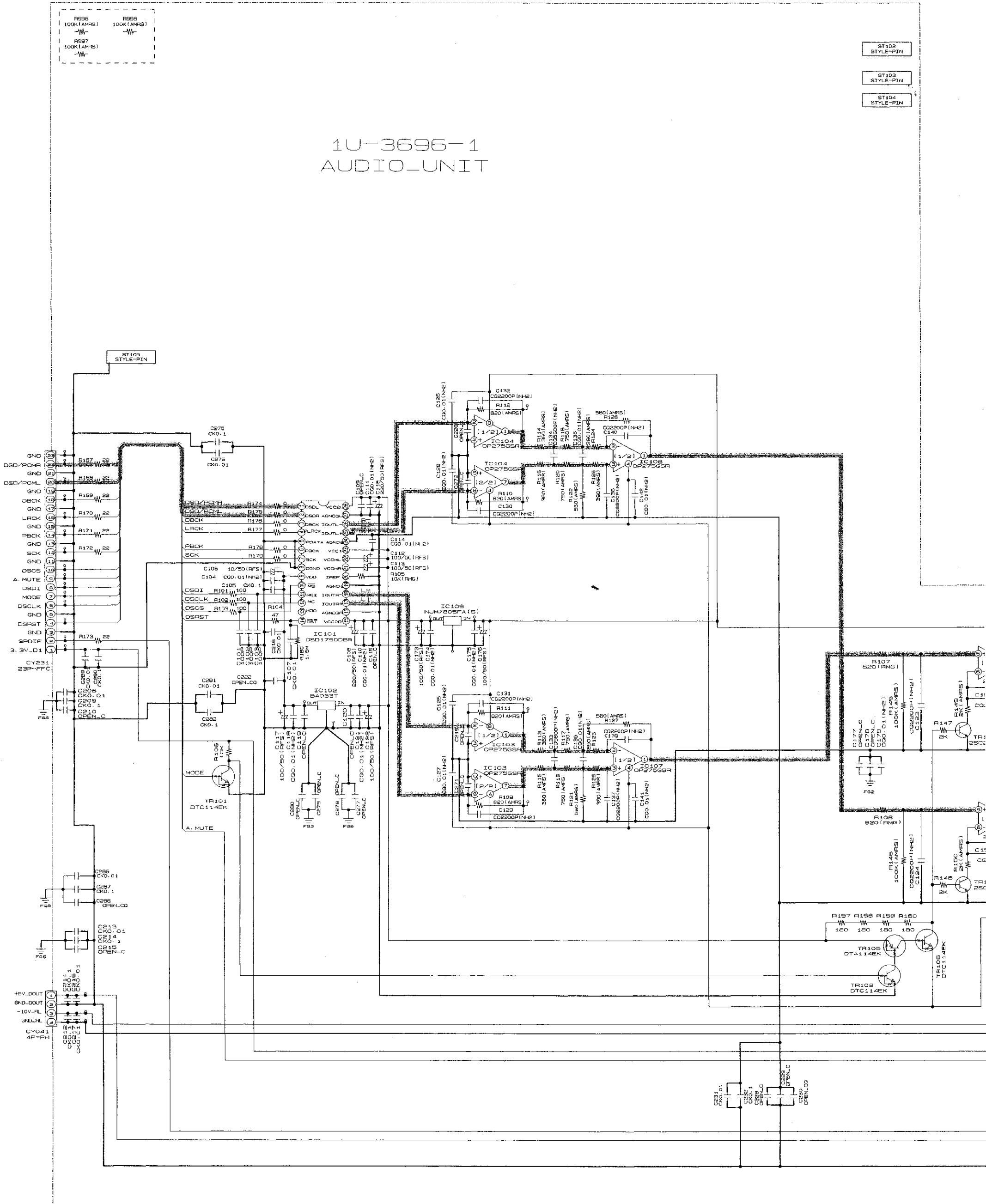
SCHEMATIC DIAGRAMS (5/9)
1U-3696-1 AUDIO UNIT
(DCD-1650AE model only)

A
B
C
D
E
F
G
H

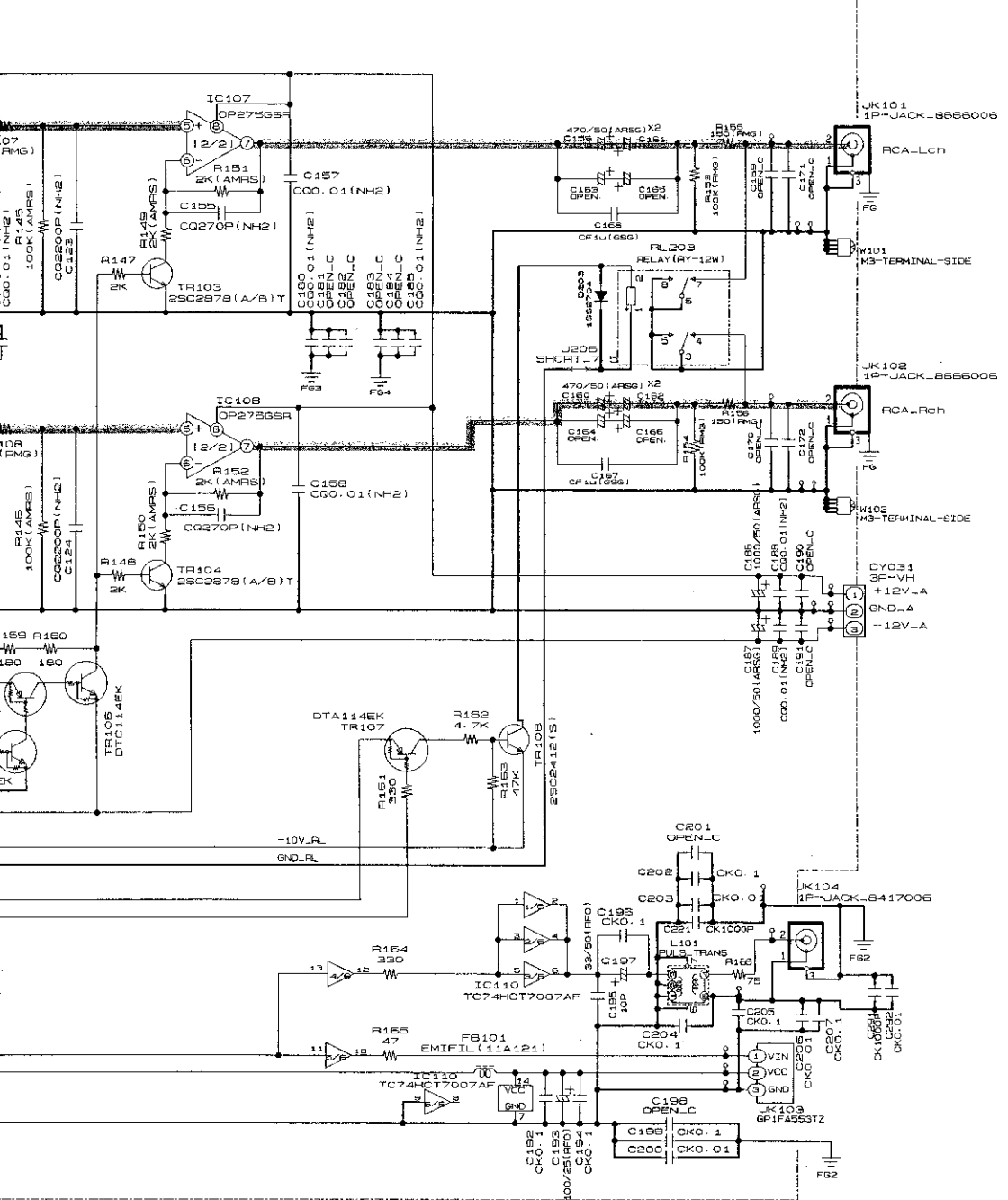
SCHEMATIC DIAGRAMS (6/9)

1 2 3 4 5 6

1U-3696-1
AUDIO_UNIT



- IC102 LE-PIN
- IC103 LE-PIN
- IC104 LE-PIN

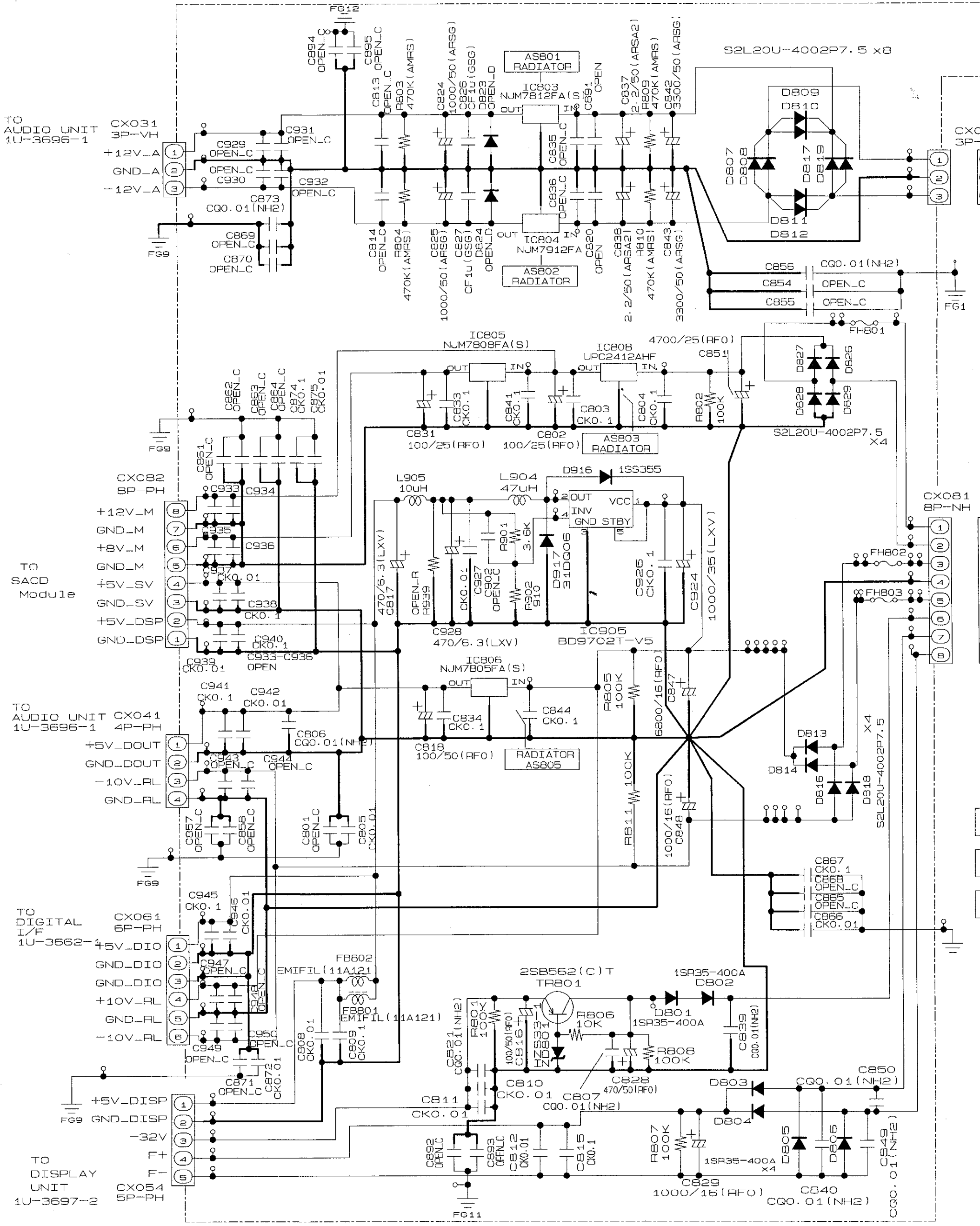


SIGNAL LINE

SCHEMATIC DIAGRAMS (6/9)
1U-3696-1 AUDIO UNIT
(DCD-2000AE model only)

SCHEMATIC DIAGRAMS (7/9)

1 2 3 4 5 6



6

7

8

9

10

11

A

B

C

D

E

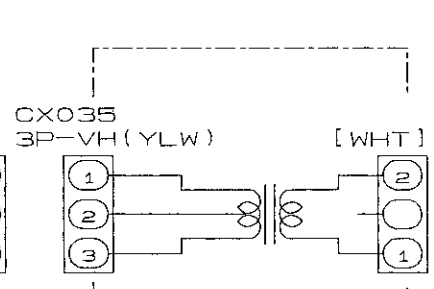
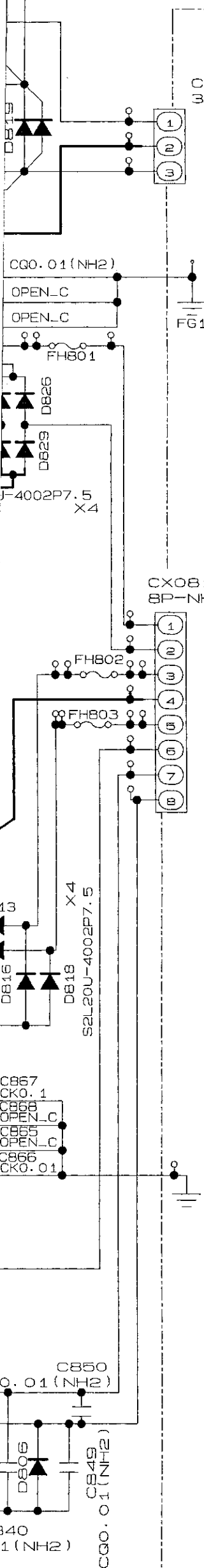
F

G

H

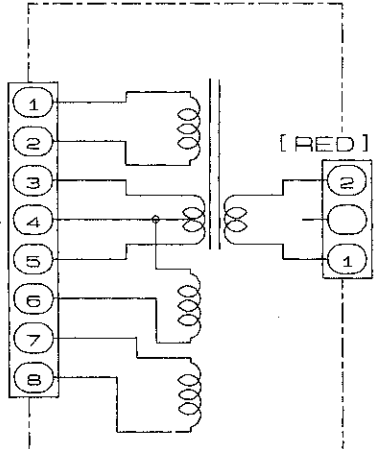
1U-3696-2 POWER UNIT

2P7.5 x8



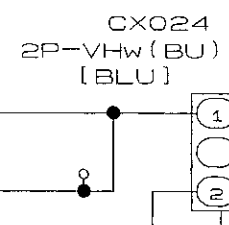
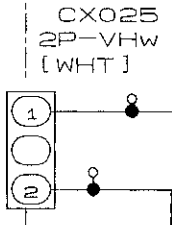
POWER TRANS (AUDIO) ⚠

- F801 FUSE 1.0A(T) ⚠
- F802 FUSE 1.6A(T) ⚠
- F803 FUSE 1.6A(T) ⚠

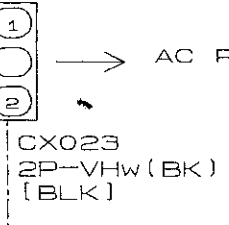
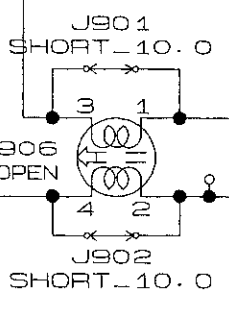
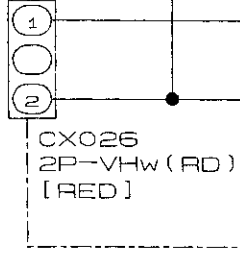


POWER TRANS (DIGITAL) ⚠

- ST801 STYLE-PIN
- ST802 STYLE-PIN
- ST803 STYLE-PIN



POWER SWITCH

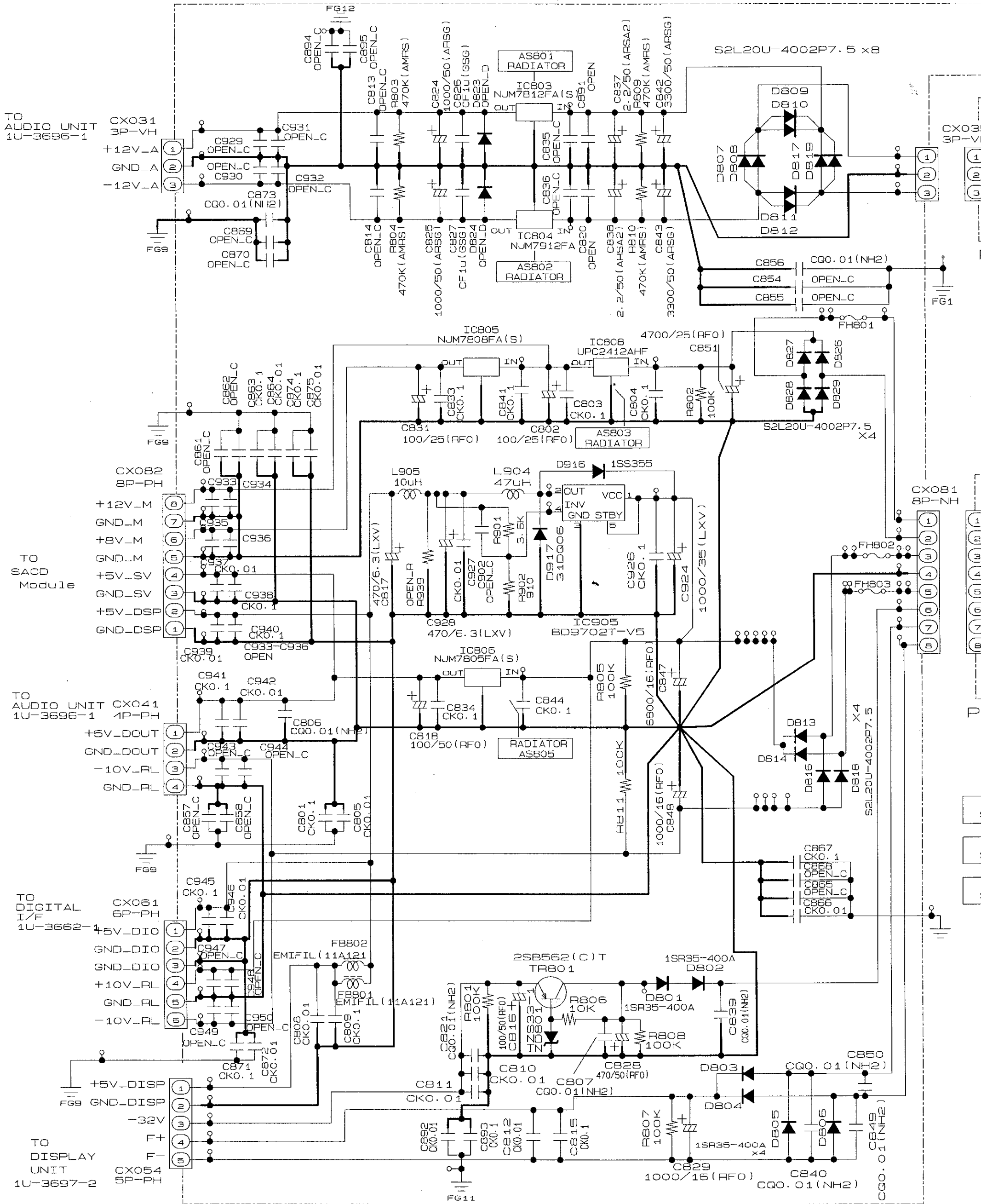


AC PLUG

SCHEMATIC DIAGRAMS (7/9)
1U-3696-2 POWER UNIT
(DCD-1650AE model only)

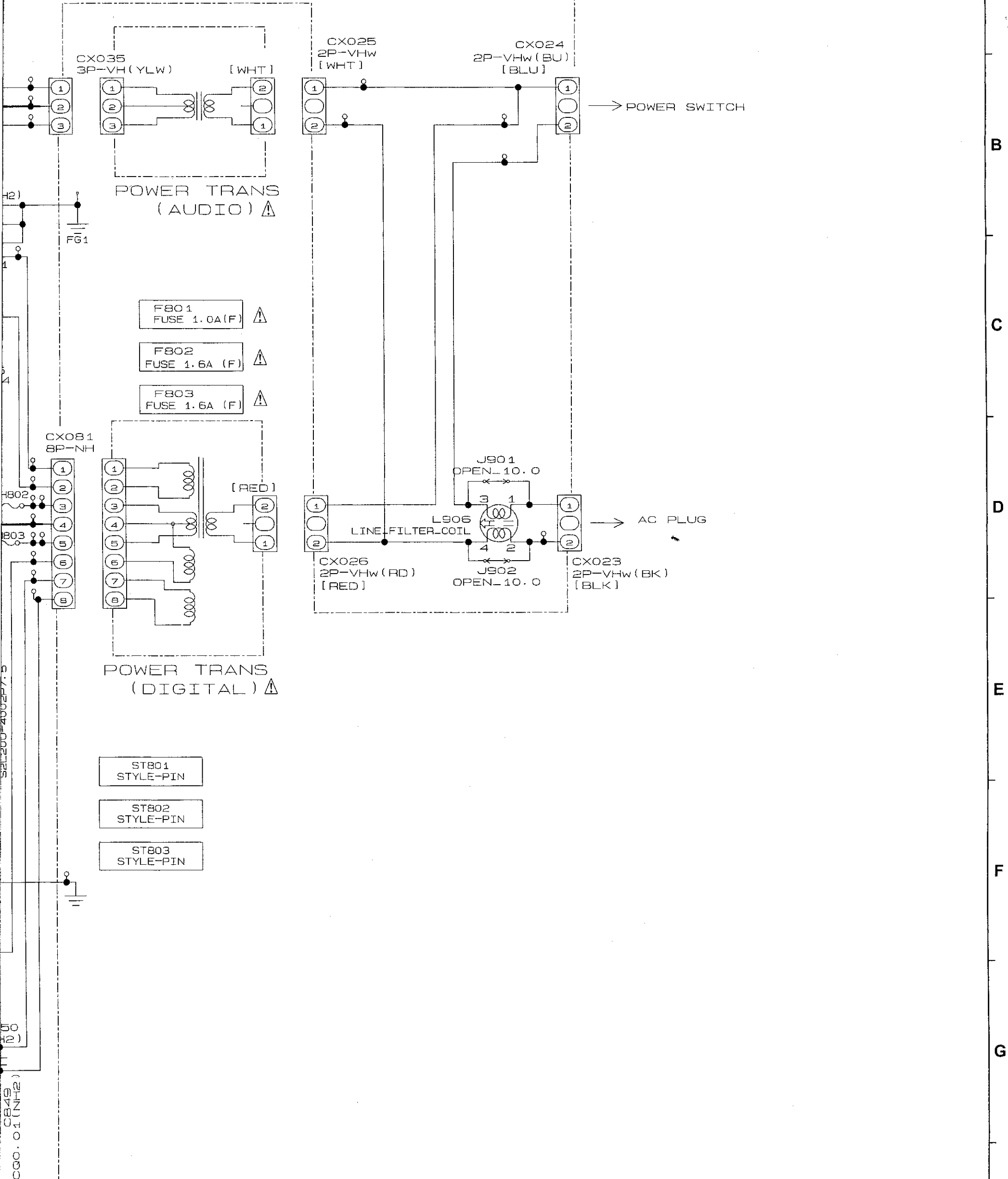
SCHEMATIC DIAGRAMS (8/9)

1 2 3 4 5 6



7 8 9 10 11

1U-3696-2 POWER UNIT



A
B
C
D
E
F
G
H

SCHEMATIC DIAGRAMS (8/9)
1U-3696-2 POWER UNIT
(DCD-2000AE model only)

SCHEMATIC DIAGRAMS (9/9)

1

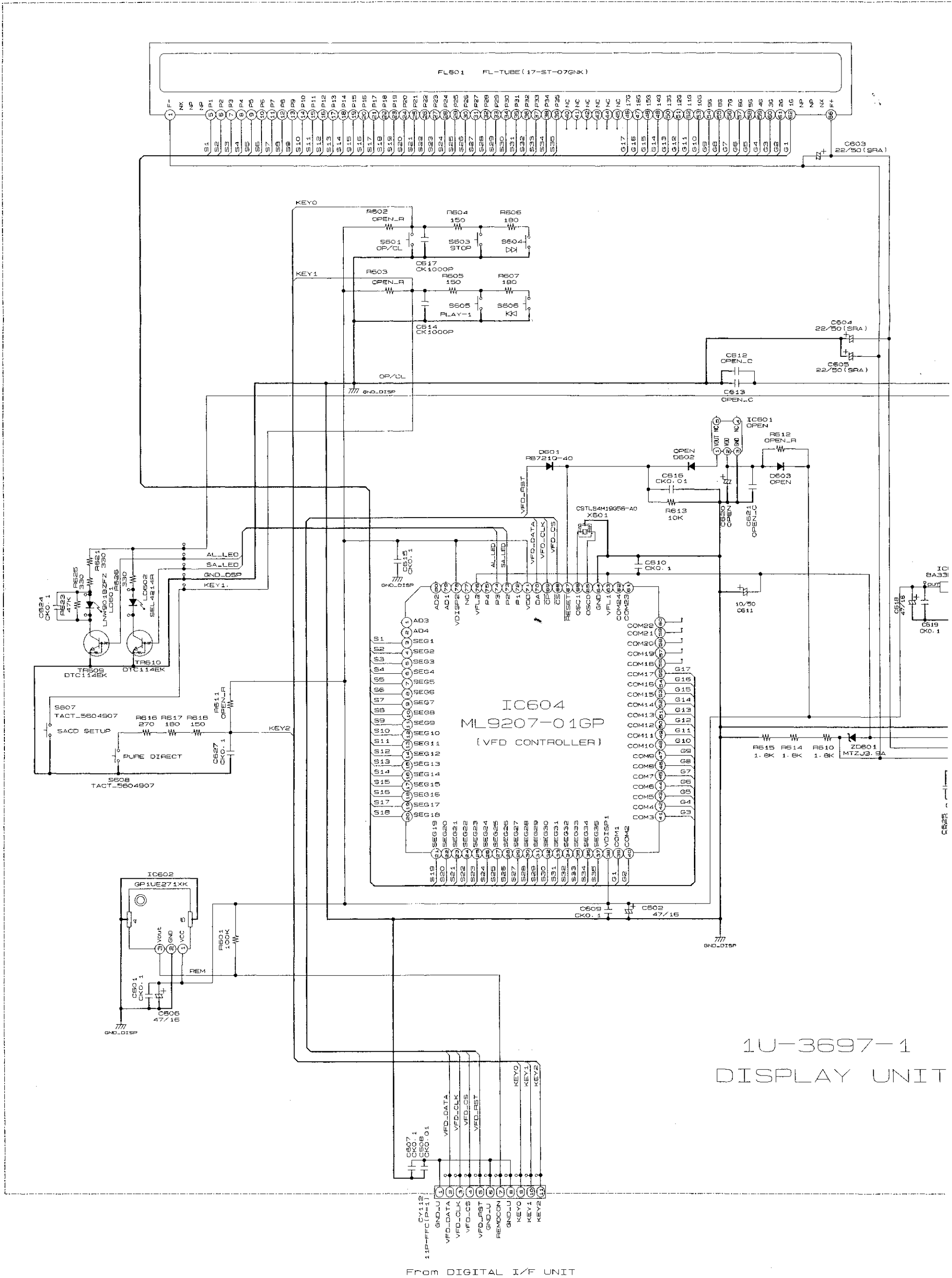
2

3

4

5

6



1U-3697-1
DISPLAY UNIT

From DIGITAL I/F UNIT

6

7

8

9

10

11

A

B

C

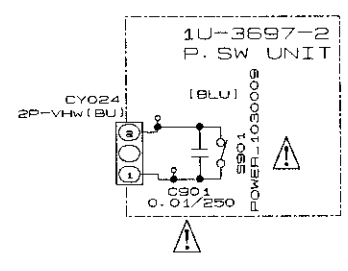
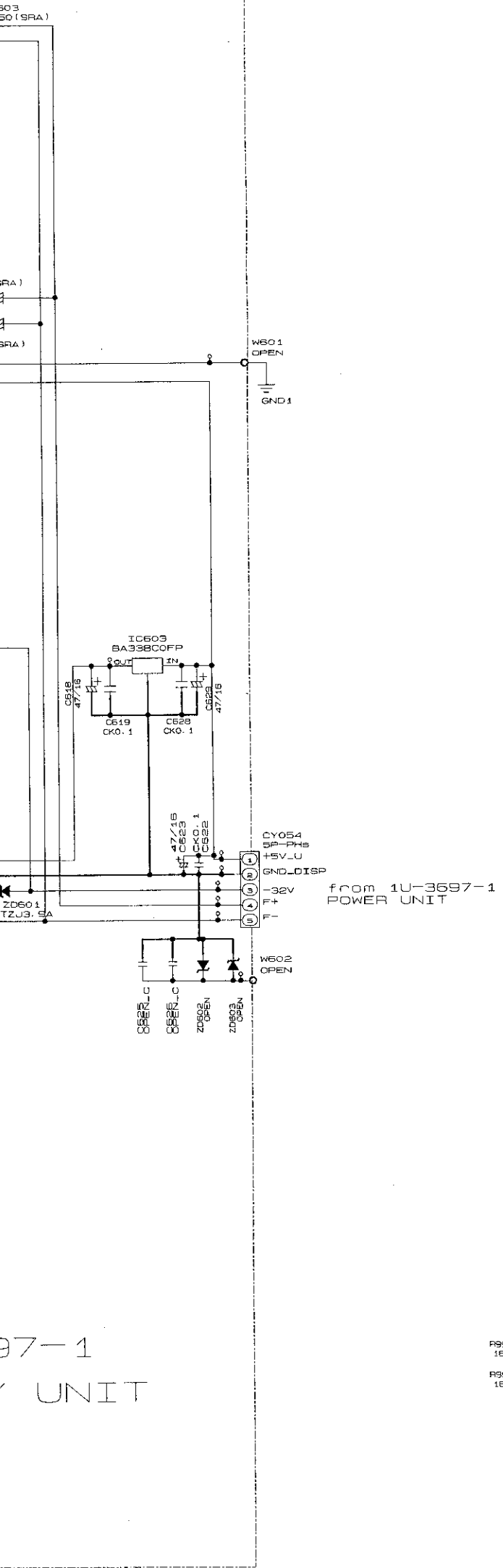
D

E

F

G

H



3697-1
UNIT