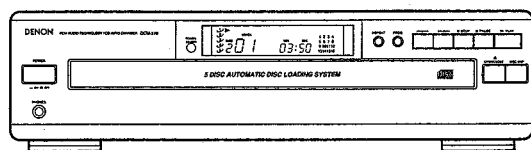


DENON

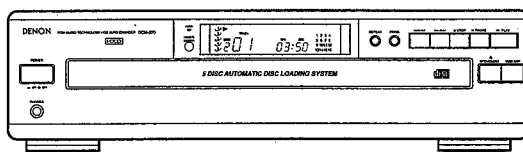
SERVICE MANUAL

MODEL DCM270/370/35/65

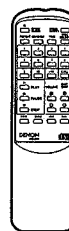
5 DISC AUTOMATIC DISC LOADING SYSTEM



DCM-270/35



DCM-370/65



- CONTENTS -

SAFETY NOTICE	2
GENERAL SPECIFICATION	3
ADJUSTMENT PROCEDURES	3
DISASSEMBLY	4~5
IC BLOCK DIAGRAM	6~9
EXPLODED VIEW	10
EXPLODED VIEW PARTS LIST	11~12
PACKING LIST	13
CD MECHA UNIT EXPLODED VIEW	14
PARTS LIST OF CD MECHA UNIT EXPLODED VIEW	14
PRINTED CIRCUIT BOARD	15~18
PCB PARTS LIST	19~23
BLOCK DIAGRAM	24
WIRING DIAGRAM	25
SCHEMATIC DIAGRAM	26~32

• Some illustrations using in this service manual are slightly different from the actual set.

NIPPON COLUMBIA CO., LTD.

SAFETY NOTICE

WARNING:

Parts marked with this symbol   have critical characteristics. Use ONLY replacement parts recommended by the manufacturer.

CAUTION:

Before returning the unit to the customer, make sure you make either (1) a leakage current check or (2) a line to chassis resistance check, If the leakage current exceeds 0.5 milliamps, or if the resistance from chassis to either side of the power cord is less than 240 kohms, the unit is defective.

WARNING

DO NOT return the unit to the customer until the problem is located and corrected.

NOTES

ALL RESISTANCE VALUES WRITTEN ON THE SCHEMATIC DIAGRAM ARE IN OHM. K=1,000 OHM, M=1,000,000 OHM.

ALL CAPACITANCE VALUES WRITTEN ON THE SCHEMATIC DIAGRAM ARE IN MICRO FARAD.

P=MICRO-MICRO FARAD

CIRCUIT AND PARTS ARE SUBJECT TO CHANGE WITHOUT PRIOR NOTICE.

Not including Carbon Film +/-5%, 1/4W Type in the PCB parts list.
(Refer to the Schematic Diagram for those parts.)

CLASS 1 LASER PRODUCT

LUOKAN 1 LASERLAITE

KLASS 1 LASERAPPARAT

"CLASS 1
LASER PRODUKT"



ADVARSEL: USYNLIG LASERSTRÅVED ÅBNING, NÅR
SIKKERHEDSAFBRYDERE ER UDE AF FUNKTION.
UNDGÅ UDSAETTELSE FOR STRÅLING.

VAROITUS! LAITTEEN KÄYTTÄMINEN MUULLA KUIN TÄSSÄ
KÄYTTÖOHJEESSA MAINITULLA TAVALLA SAATTA
ALTISTAA KÄYTTÄJÄN TURVALLISUUSLUOKAN 1
YLITÄVÄLLE NÄKYMÄMTTÖMÄLLE LASERSÄTEILYLLE.

VARNING- OM APPARATEN ANVÄNDS PÅ ANNAT SÄTT ÄNIDENNA
BRUKSANVISNING SPECIFICERATS, KAN ANVÄNDAREN
UTSÄTTAS FÖR OSYNLIG LASERSTRÄLNING SOM
ÖVERSKRIDER GRÄNSEN FÖR LASERKLASS 1.

GENERAL SPECIFICATION

- 1. APPLICATION** CARROUSEL TYPE 5 CD CHANGER WITH FRONT LOADING.
- 2. DIMENSIONS** 435(W) x 388(D) x 115(H) MM
- 3. WEIGHT** 6.0 Kgs

4. CHARACTERISTICS (TEST DISC: TCD-781, LOAD=10KOHM)

ITEM	370E3/E2/65	270E3/E2/EK/35	CONDITION
OUTPUT LEVEL	1.9V±1dB	1.9V±1dB	1KHz,0dB R _L =10kΩ
CHANNEL BALANCE	≤1dB	≤1dB	1KHz,0dB
DISTORTION	≤0.020%	≤0.008%	20KHz LPF
FREQUENCY RESPONSE	20Hz~20KHz±1dB	20Hz~20KHz±1dB	
CHANNEL SEPARATION	≥85dB	≥85dB	20KHz LPF
DE-EMPHASIS	±1dB	±1dB	
S/N RATIO	≥90dB	≥92dB	20KHz LPF + IEC-A WEIGHTED INFINITY ZERO ON
DYNAMIC RANGE	≥-80dB	≥-80dB	20KHz LPF + IEC-A WEIGHTED
LINEARITY	-80dB±8dB	-80dB±2dB	20KHz LPF
	-88dB±5dB	-88dB±5dB	20KHz LPF
PHONE OUTPUT LEVEL	≥0.03MW	≥0.03MW	1KHz -20dB (R _L =32Ω)

5. SEARCHING TIME (TEST DISC: TCD-792)

ITEM	NOMINAL	LIMITS	CONDITION
(1) SHORT ACCESS TIME	1.7SEC	4SEC	PLAY NEXT TRACK
(2) LONG ACCESS TIME	3SEC	6SEC	TRACK 1 ->TRACK 20 TRACK 20 ->TRACK 1
(3) DISC CHANGE	9SEC	15SEC	PLAY NEXT DISC TRACK 1

6. PLAY ABILITY

ITEM	NOMINAL	LIMIT	CONDITION
(1) INTERRUPTION	1000UM	800UM	TCD-725
(2) BLACK DOT	1000UM	800UM	TCD-725
(3) FINGER PRINTS	75UM	65UM	TCD-725
(4) EXCENTRIC	210UM	140UM	TCD-712,713
(5) VERTICAL DEVIATION	1MM	800UM	TCD-731RA

6-1. JITTER

ITEM	NOMINAL	LIMIT	CONDITION
(1) JITTER	20NS	30NS	TCD-782

ADJUSTMENT PROCEDURES

REQUIRED EQUIPMENTS

JITTER METER
PLASTIC SCREWDRIVER

SETTING OF INITIAL POSITION OF VOLUME

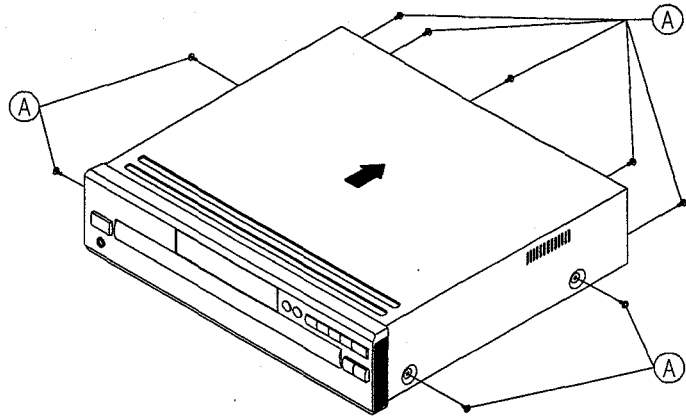
THE VARIABLE RESISTOR IS SET TO THE FOLLOWING INITIAL POSITION:
P101 (FE BIOS)-----MECHANICAL CENTER

FE BIOS ADJUSTMENT

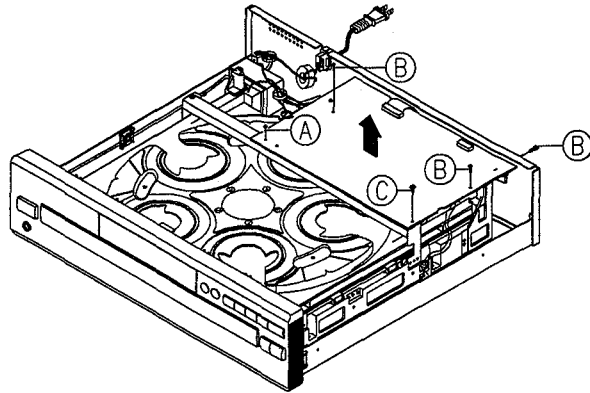
1. TURN ON THE POWER OF THE UNIT AND SET TO THE PLAY CONDITION.
2. CONNECT THE JITTER METER TO THE HF PIN AND CV PIN FROM THE MAIN PCB.
3. ROTATE THE P101 BY USING A PLASTIC SCREWDRIVER TO LET JITTER VALUE IS MINIMUM SHOWN ON THE JITTER METER.

TOP COVER

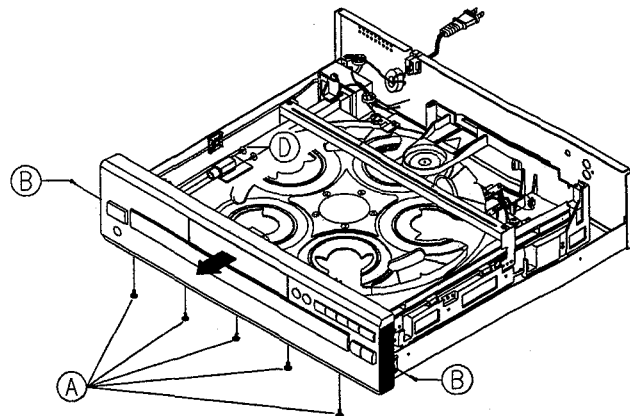
REMOVE 4 SCREWS ^(A) FIXING THE TOP COVER AND 5 SCREWS ^(A) MOUNTING THE REAR PANEL, THEN DETACH THE TOP COVER AS SHOWN IN THE ARROW DIRECTION.

**MAIN PCB**

REMOVE 1 SCREW ^(A), 2 SCREWS ^(B), 1 SCREW ^(C) FIXING THE MAIN PCB AND 1 SCREW ^(B) MOUNTING THE REAR PANEL; THEN DETACH THE MAIN PCB AS SHOWN IN THE ARROW DIRECTION.

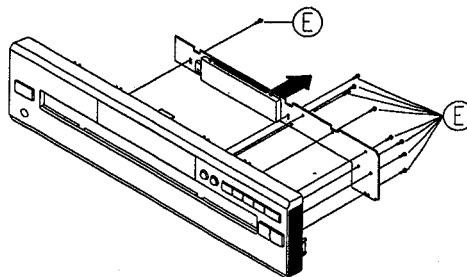
**FRONT PANEL**

REMOVE 2 SCREWS ^(D) MOUNTING THE FRONT PANEL; 2 SIDE SCREWS ^(B) AND 5 BELOW SCREWS ^(A) MOUNTING THE FRONT PANEL, THEN DETACH THE FRONT PANEL AS SHOWN IN THE ARROW DIRECTION.



CONTROL PCB

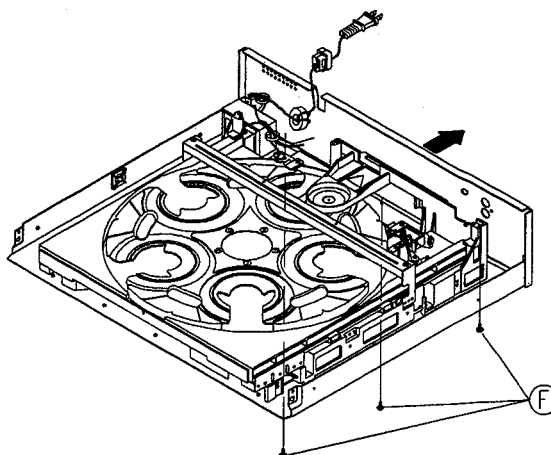
REMOVE 8 SCREWS ^(E) MOUNTING THE FRONT PANEL AND 1 ^(E) SCREW FIXING THE CONTROL PCB, THEN DETACH THE CONTROL PCB AS SHOWN IN THE ARROW DIRECTION.

**BACK PANEL**

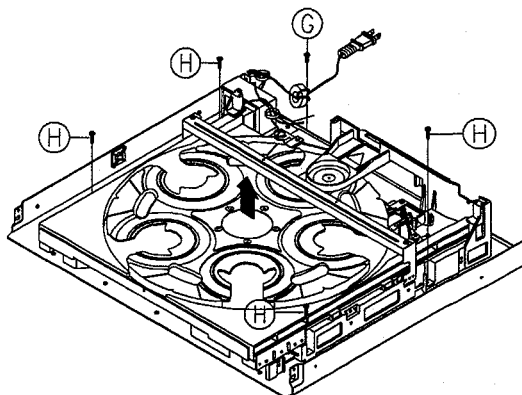
REMOVE 3 SCREWS ^(F) MOUNTING THE BOTTOM COVER, THEN DETACH THE BACK PANEL AS SHOWN IN THE ARROW DIRECTION.

NOTE:

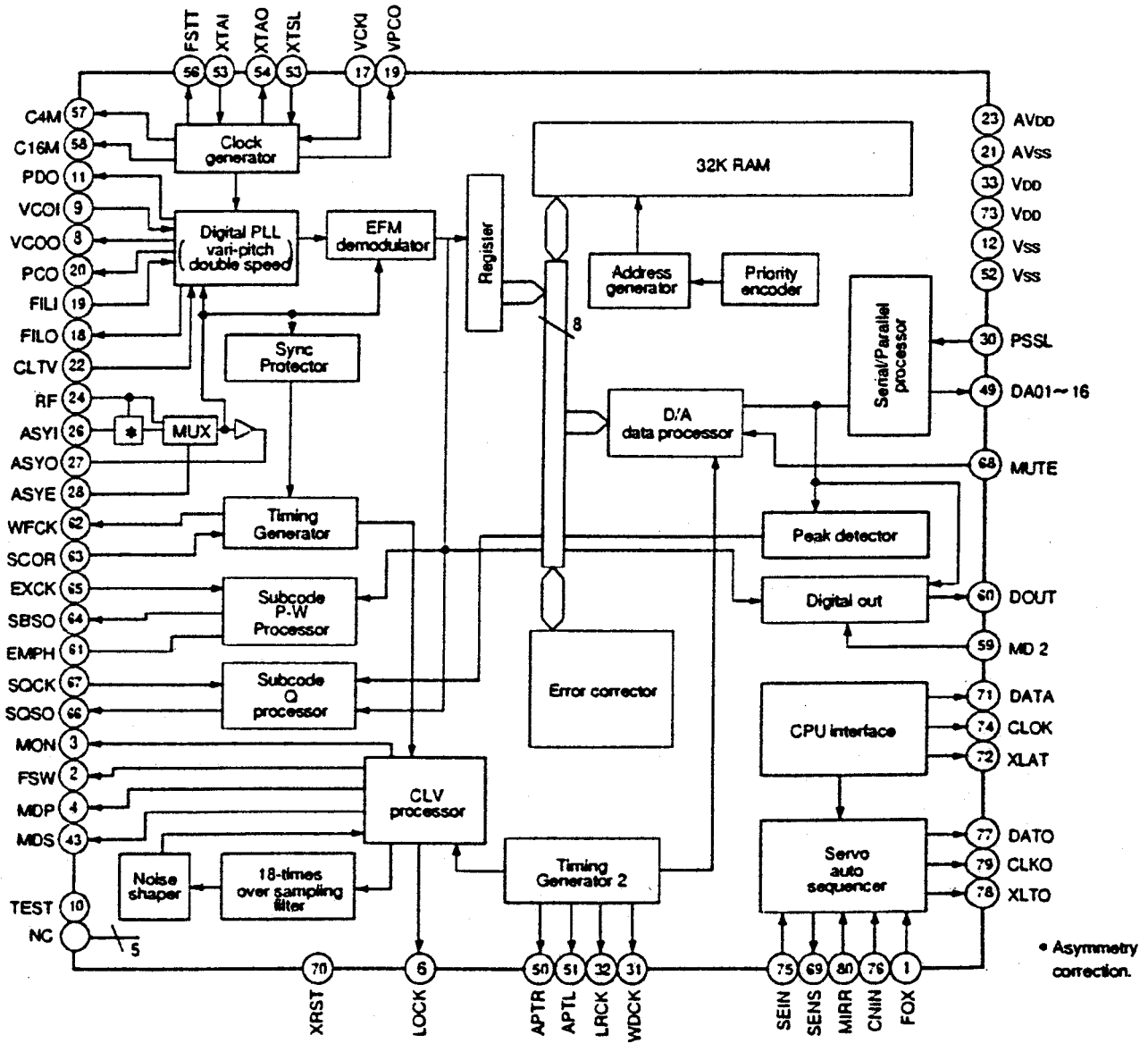
ONLY IN Ø3*5MM, OTHER SCREWS CAN'T BE USED.

**LOADER ASS'Y**

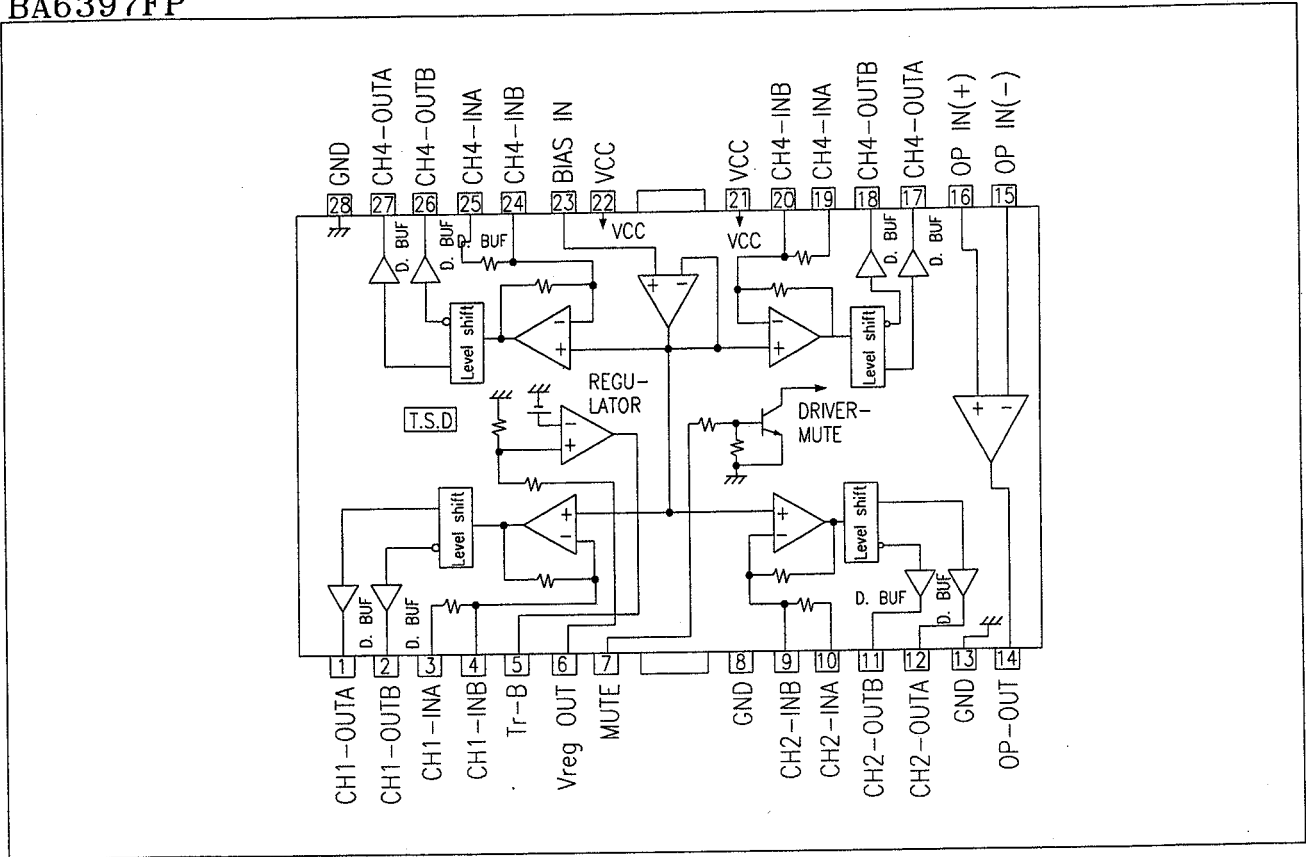
REMOVE 1 SCREW ^(G) AND 4 SCREWS ^(H) MOUNTING THE BOTTOM COVER, THEN DETACH THE LOADER ASS'Y AS SHOWN IN THE ARROW DIRECTION.



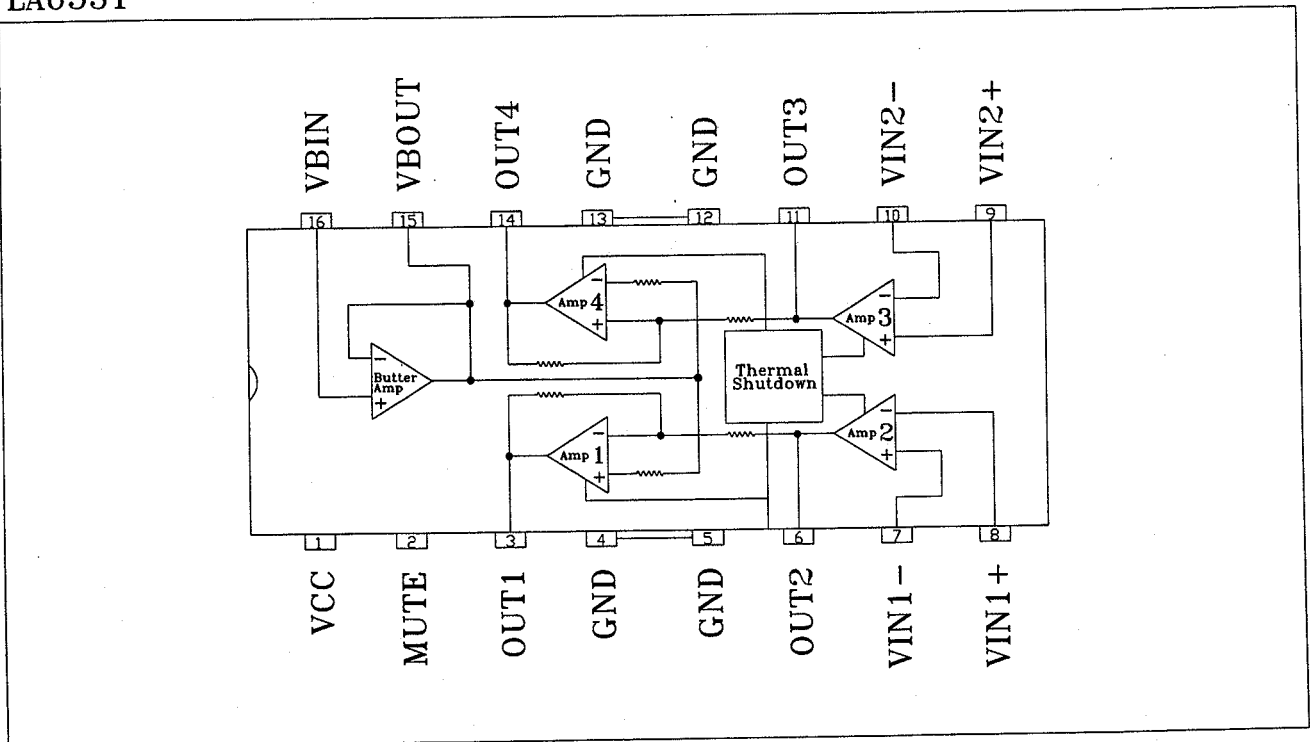
CXD2500BQ



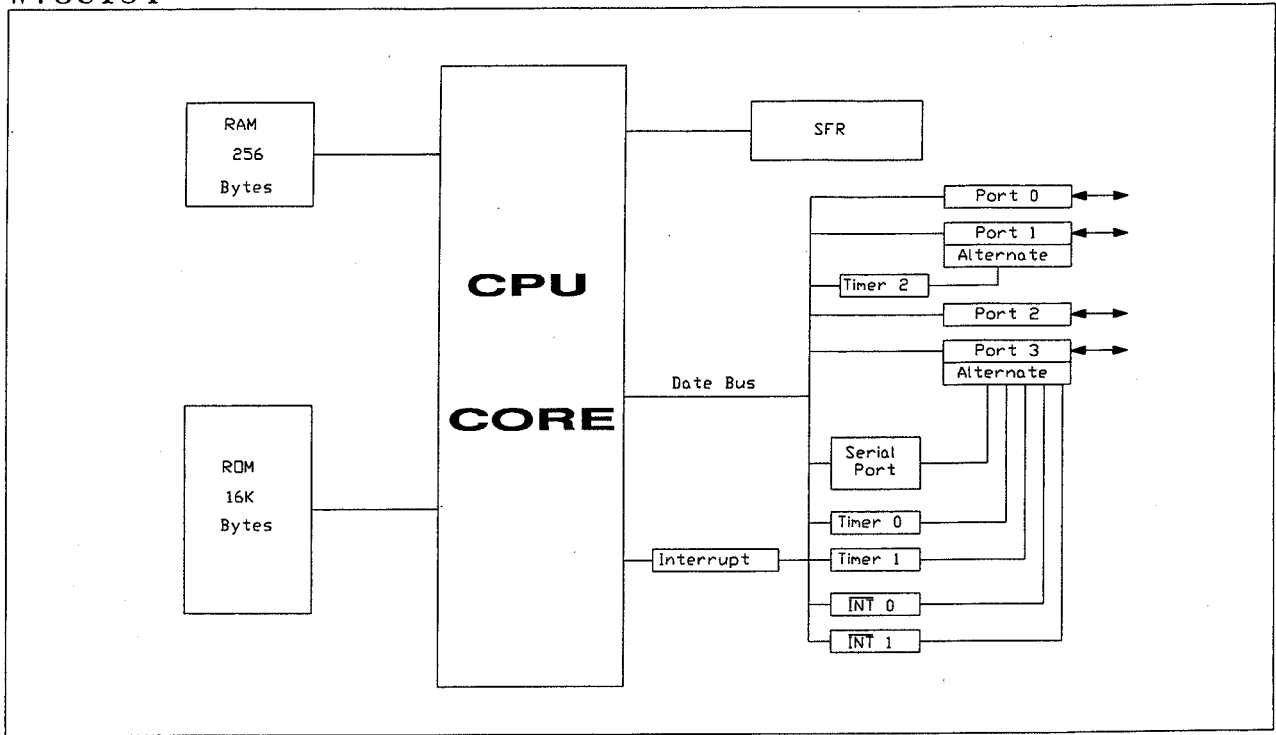
BA6397FP



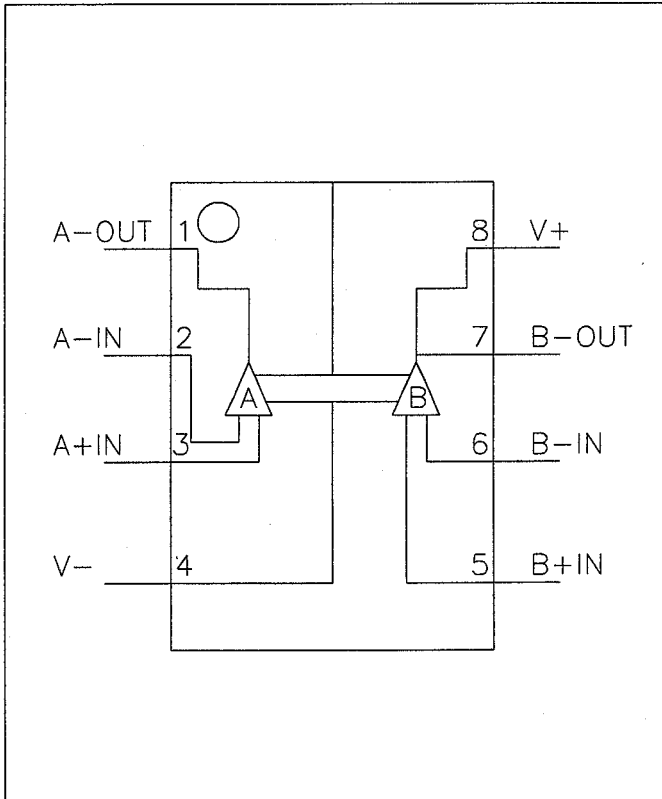
LA6531



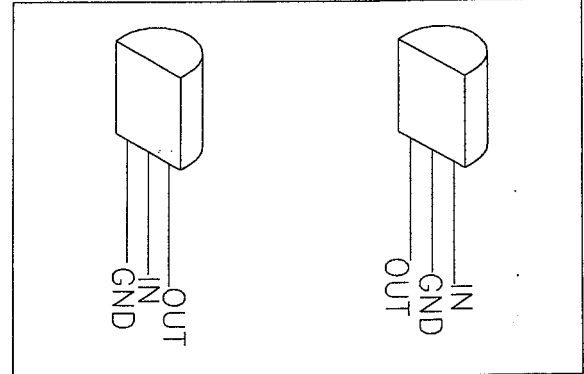
W78C154



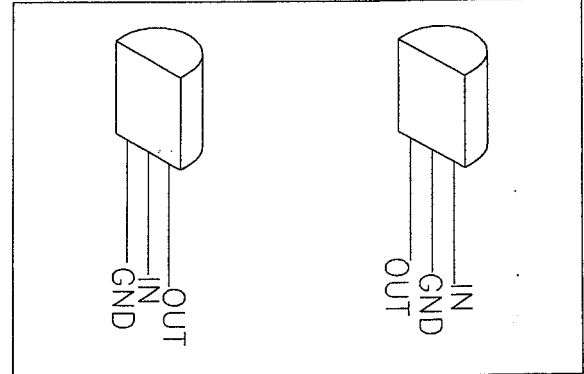
NJM4558D



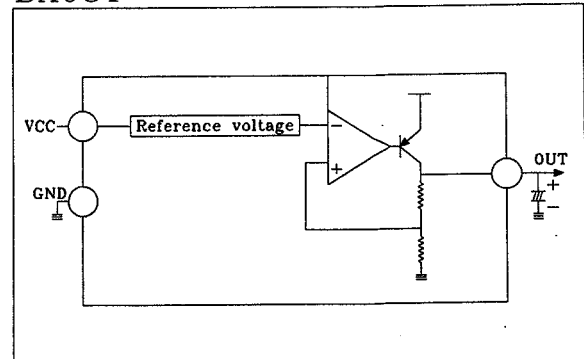
79L05

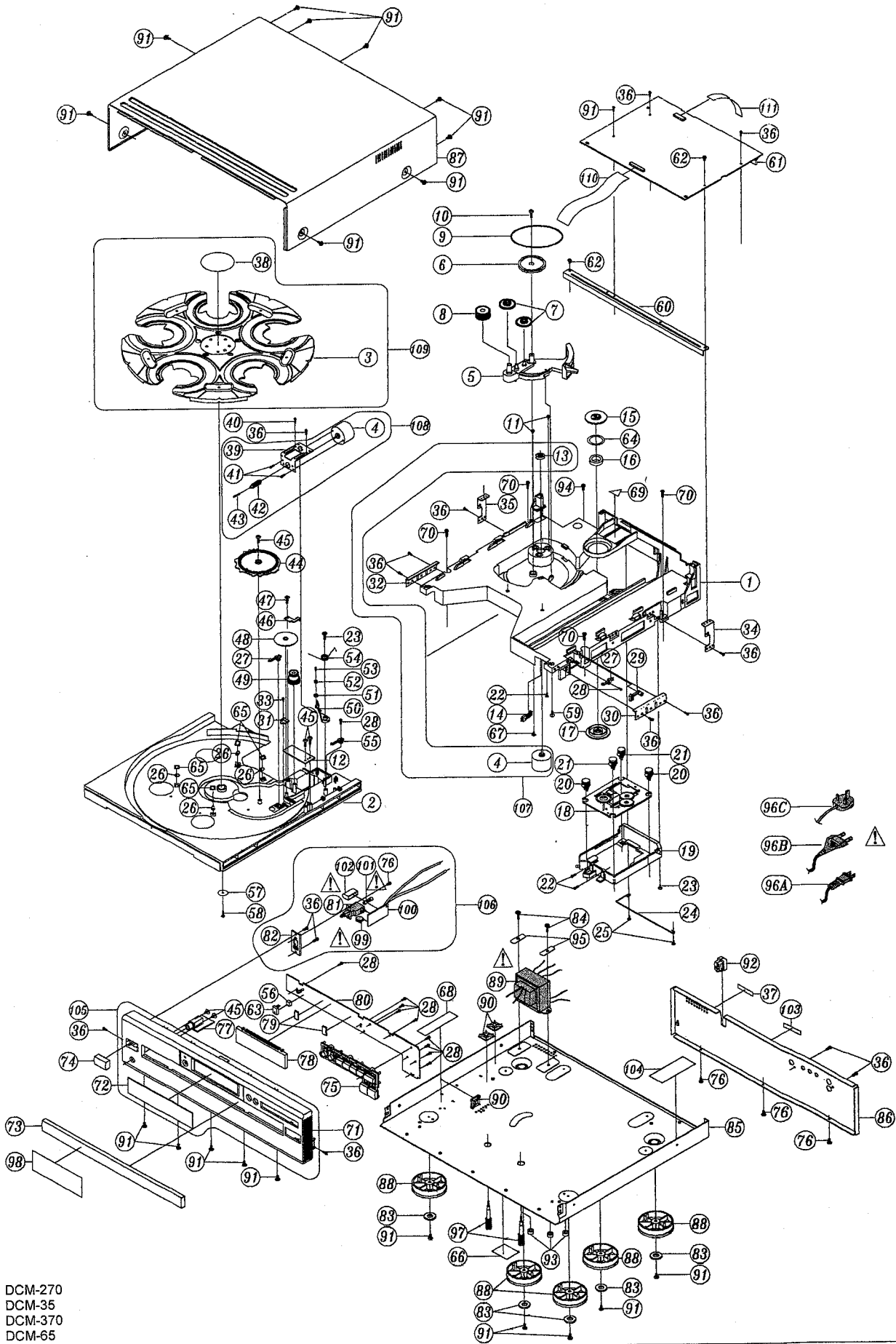


78L05



BA08T





DCM-270
 DCM-35
 DCM-370
 DCM-65

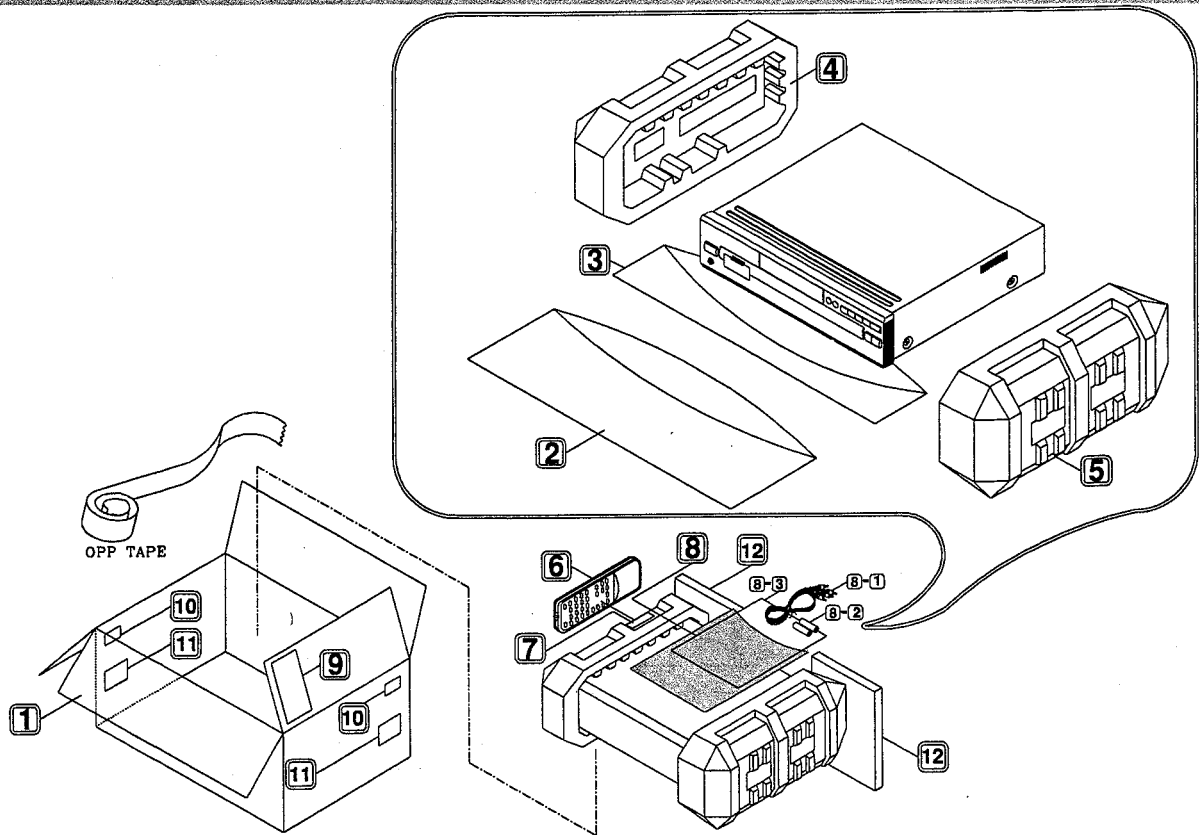
EXPLODED VIEW PARTS LIST

REF. NO.	PARTS NO.	PARTS NAME	ORIGINAL NO.	Q'TY	REMARKS
1	958 0001 009	BOTTOM PLATE	100-KMD550-1213A	1	
2	958 0001 106	BASE	100-KMD550-1214C	1	
3	-	TURNABLE	100-KMD550-1215A	(1)	REF.No.105
4	-	MOTOR(MEN-7E2T5)	401-MK7-043	(2)	REF.No.104, 106
5	958 0001 300	GEAR SET	100-KMD280-860D2	1	
6	958 0001 407	BELT GEAR	100-KMD280-732B	1	
7	958 0001 504	S.GEAR	100-KMD280-734	2	
8	958 0001 601	B.GEAR	100-KMD280-727	1	
9	958 0001 708	MOTOR BELT	604-KMD280-094	1	
10	958 0001 805	SCREW(M3X8 PTP BLACK)	602-KMD510-169	1	
11	958 0001 902	SCREW(M2.6X4 P=0.45)	602-MK7-134	2	
12	958 0002 008	INFERRED EMITTING PCB	704-DCM270X-1798	1	
13	-	MOTOR PULLEY	100-KMD280-728	(1)	REF.No.104
14	958 0002 105	LEAF SW(LSA-2127E)	403-KMD280-048	1	
15	958 0002 202	SWIVEL PLATE	300-KMD550-466	1	
16	958 0002 309	MAGNET	613-MK7-002	1	
17	958 0002 406	DISC HOLDER	100-KMD550-1219	1	
18	958 0002 503	MECHANISM ASSY(KSM213 CCM)	704-HV3423K-1441	1	9G90438004
19	958 0002 600	SWING PLATE	100-KMD550-1220B	1	
20	958 0002 707	CUSHION RUBBER(RED)	604-KMD550-117	2	
21	958 0002 804	CUSHION RUBBER(WHITE)	604-KMD550-118	2	
22	958 0002 901	SCREW(PTP M3X14MM)	602-KMD550-250	3	
23	958 0003 007	SCREW(M3X9MM PTP)	602-SL24F-097	2	
24	958 0003 104	STEEL WIRE	603-KMD280-200	1	
25	958 0003 201	SCREW(TTP CAP M3X8MM)	602-B600-056	2	
26	958 0003 308	WHEEL	100-KMD280-729	4	
27	958 0003 405	LEAF SW(LSA-1119H)	403-DM11A-020	2	
28	958 0003 502	SCREW(2.6X8PTP)	602-SL24F-099	11	
29	958 0003 609	CONTROL LEVER	100-KMD280-730	1	
30	958 0003 706	R.PRESSING PLATE	300-KMD280-265RA	1	
31	958 0003 803	PHOTO TRANSISTER PCB	704-DCM270X-1797	1	
32	958 0003 900	L.PRESSING PLATE	300-KMD550-265L	1	
33	958 0004 006	SCREW (TTP M2.6X6 PTP)	602-KMD510-158	1	
34	958 0004 103	RIGHT BRACKET	300-KMDV280C-264A	1	
35	958 0004 200	LEFT BRACKET	300-KMDV280C-263A	1	
36	958 0004 307	SCREW(M3X8MM BTP)	602-2002-077	14	270E3/E2/EK/35
36	958 0004 307	SCREW(M3X8MM BTP)	602-2002-077	15	370E3/E2/65
37	958 0004 404	SERIAL LABEL	501-DV300-1067	1	
38	-	DECORATING SHEET	501-KMD550-1099	(1)	REF.No.105
39	-	MOTOR FIXED PLATE	300-KMD550-262	(1)	REF.No.106
40	958 0004 501	SCREW(3X10MM SHARP EN	602-M100-032	1	
41	-	SCREW(M2.6X3MM)	602-KM500-155	(2)	REF.No.106
42	-	SPIRAL GEAR	100-KMD280-731A	(1)	REF.No.106
43	-	SHAFT	200-KMD280-174	(1)	REF.No.106
44	958 0004 608	TRANSFER CORRECTING GEAR	100-KMD550-1216	1	
45	958 0004 705	SCREW(TTP 2.6X7 CAP 10 Z)	602-DV300-5023	5	
46	958 0004 802	FORWARD GEAR FIXED PLATE	300-KMD280-305	1	
47	958 0004 909	SCREW(2.6X5.5MM)	602-KMD300-144	1	
48	958 0005 005	MIDDLE GEAR	100-KMD280-733	1	
49	958 0005 102	TRANSFER GEAR	100-KMD280-736A	1	
50	958 0005 209	CORRECTING LEVER	100-KMD550-1217	1	
51	958 0005 306	RUBBER RING	604-KM300-057	1	
52	958 0005 403	WHEEL	100-KM300-516	1	
53	958 0005 500	WHEEL SHAFT	200-KMD550-181	1	
54	958 0005 607	COMMENTING SPRING	603-KMD550-199	1	
55	958 0005 704	LEAF SW(LSA-1119F)	403-KMD550-087	1	
56	958 0005 801	CUSHION FOR SENSOR	612-DCM370-071	1	
57	958 0005 908	FIXED CENTER WASHER	606-C426-066	1	
58	958 0006 004	SCREW(TTP 3X10 ZK PTP)	602-MK7-131	1	
59	958 0006 101	SCREW(M3X7 PTP)	602-SL24F-096	1	
60	958 0006 208	MAIN PCB BRACKET	300-KMD550-486	1	
61	958 0006 305	SERVO PCB ASSY	704-DCM270X-1793	1	DCM270 / 35
	958 0006 318	SERVO PCB ASSY	704-DCM370E3-1807	1	DCM370 / 65
62	958 0006 402	SCREW(W BTP 2.6X6 MC)	602-KMD550-255	2	
63	958 0006 509	IC(LTM-97DT-380)	417-RCC955A-312	1	
64	958 0006 606	WASHER(HIMILOM BLACK 18)	612-KT300-007	1	
65	958 0006 703	FIXED SHEET(PVC)	501-KMD550-1146	4	
66	958 0006 800	TRANSFER SCREWS LABEL	501-HT8023K-949	1	
67	958 0006 907	SCREW(PTP 4X8MM L)	602-KMD550-261	1	
68	958 0007 003	FUSE LABEL	501-DCM270BK-1269A	1	DCM270E3/370E3/35/65
	958 0007 210	FUSE LABEL	501-270BKB2-1269A	1	DCM270BKE2,KE/370E2
69	958 0007 100	LASER BEAM LABEL	501-1033-428	1	
70	958 0007 207	SCREW(TTB M 3X12MM)	602-DV300B-219	4	

EXPLODED VIEW PARTS LIST

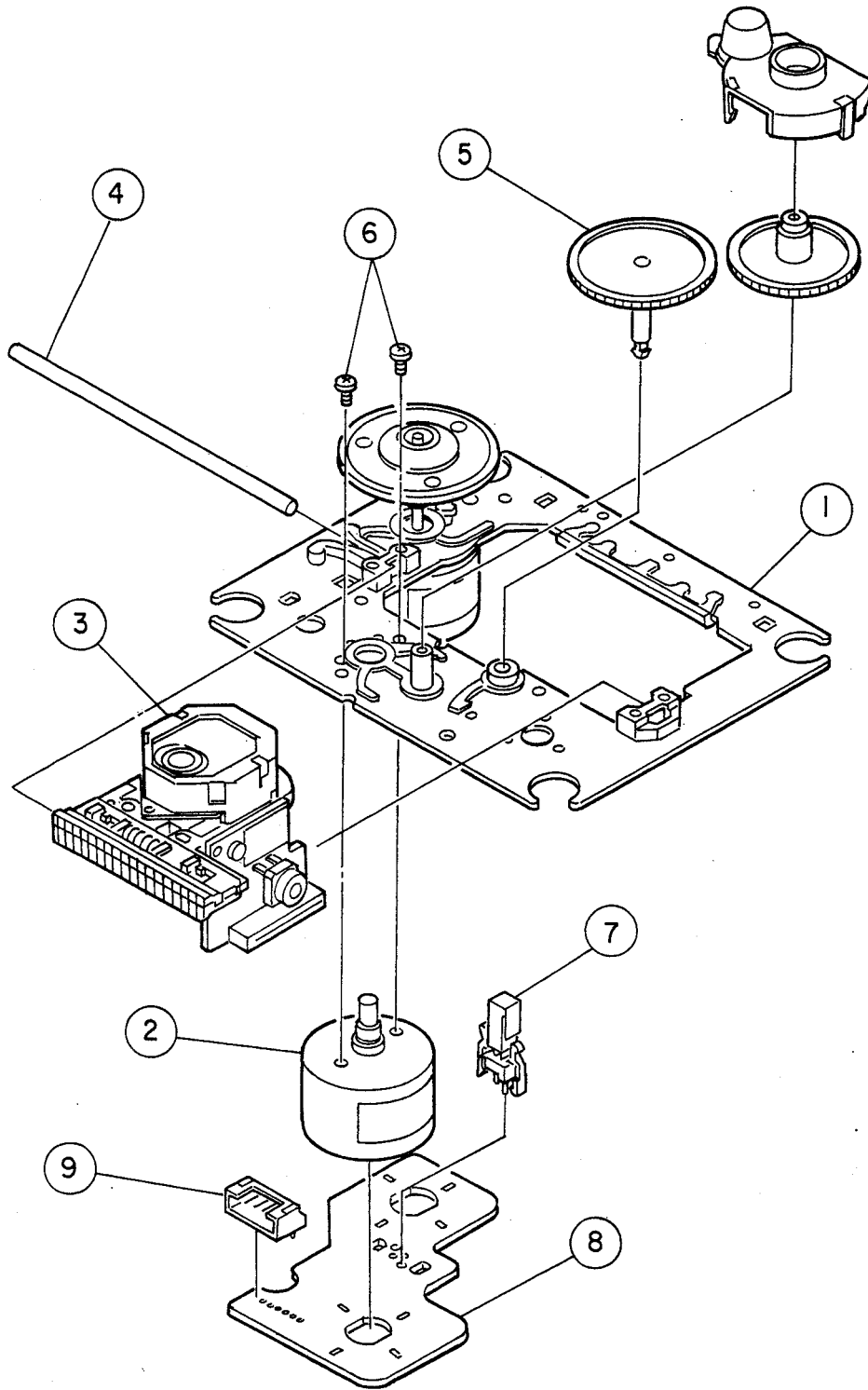
REF. NO.	PARTS NO.	PARTS NAME	ORIGINAL NO.	Q'TY	REMARKS
71	-	FRONT PANEL	100-DCM270-1435	(1)	DCM270E3/E2/EK
	-	FRONT PANEL	100-DCM35-1435	(1)	DCM35
	-	FRONT PANEL	100-DCM370-1435	(1)	DCM370E3/E2
	-	FRONT PANEL	100-DCM65-1435	(1)	DCM65BKEU
72	-	WINDOW(SOURCE MATERIAL)	100-DCM270-1209	1	DCM270 / 35
	-	WINDOW(SOURCE MATERIAL)	100-DCM370-1209	1	DCM370 / 65
73	958 0007 401	CD DOOR	100-DCM65-1302	1	
74	958 0007 508	POWER KNOB	100-DCM370-1436S	1	
75	958 0007 605	MAIN FUNTION KNOB	100-DCM370-1437	1	
76	958 0007 702	SCRE(3X5MM)	602-KE200-145	4	
77	958 0007 809	HEADPHONE PCB ASSY	704-DCM270X-1796	1	DCM270 / 35
	958 0022 208	HEADPHONE PCB ASSY	704-DCM370E3-2092	1	DCM370 / 65
78	958 0007 906	VFD	410-HV3421K-102	1	
79	958 0008 109	VFD WASHER	612-HV3700K-059	2	
80	958 0008 206	CONTROL PCB ASSY	704-DCM270X-1795	1	DCM270E3 / 35EU
	958 0008 219	CONTROL PCB ASSY	704-DCM270E2-2044	1	DCM270E2 / EK
	958 0019 208	CONTROL PCB ASSY	704-DCM370E3-1843	1	DCM370E3/65
	958 0019 211	CONTROL PCB ASSY	704-DCM370E2-2054	1	DCM370E2
81	958 0008 303	SWITCH(POWER)	403-A100-005	1	
82	958 0008 400	POWER SWITCH BRACKET	300-HDJ7000-478	1	
83	958 0008 507	FOOT	612-DCM370-067	1	
84	958 0008 604	SCREW(4X8MM TTB BLACK)	602-DCM270-281	2	
85	958 0008 701	BUTTON BASE	300-HDM5000-502A	1	
86	958 0008 808	BACK BOARD	300-DCM270-573	1	DCM270E3
	958 0013 000	BACK BOARD	300-DCM35-573	1	DCM35EU
	958 0019 305	BACK BOARD	300-DCM370-573	1	DCM370E3
	958 0019 402	BACK BOARD	300-DCM65-573	1	DCM65
	958 0019 318	BACK BOARD	300-370BKE2-573	1	DCM370E2
	958 0008 811	BACK BOARD	300-270BKEK-573	1	DCM270E2 / EK
87	958 0008 905	TOP COVER	300-DCM370-574	1	
88	968 0009 001	FOOT(ABS,KURZ AP82447-61)	100-DCM370-1438	5	
89	958 0009 108	TRANSFORMER(AC120V)	411-DCM270X-141	1	DCM270E3 / 35EU
	958 0019 509	TRANSFORMER(AC230V/50Hz)	411-DCM270E2-164	1	DCM270E2 / EK
	958 0019 703	TRANSFORMER(AC230V/50Hz)	411-DCM370E2-165	1	DCM370E2
	958 0019 606	TRANSFORMER(AC120V/60Hz)	411-DCM370E3-161	1	DCM370E3/65
90	958 0009 205	ADHESIVE BACKED MOUNTS	504-HDJ7000-032	3	
91	958 0009 302	SCREW(3X8MM)	602-HP1010K-175	20	
92	958 0009 409	CORD BUSH	100-HC1421FR-991	1	
93	958 0009 506	PROTECTION MAT	612-HMD5000-065	3	
94	958 0009 603	SCREW(TTB M3X10MM)	602-HP10101K-174	1	
95		BRACKET TRANSFORMER	300-DV300B-443	2	
96A	958 0009 700	AC POWER CORD(UL TYPE)	409-HMD5000-053	1	270E3/370E3/35/65
96B	958 0019 800	AC POWER CORD(VDE TYPE)	409-3004-016	1	270E2/370E2
96C	958 0019 907	AC POWER CORD(BS TYPE)	409-HMD500B-037	1	270EK
97	958 0009 807	TRANSPORTATION SCREW ASS'Y	701-AVD3500K-1668	2	
98	958 0009 904	TRANSPORTATION SCREW LABEL	501-DCM270-1260	1	
99	958 0010 003	CERAMIC(BLUE 4700PF 400V)	413-1431-104	1	
100		POWER SW PCB	405-DCM270X-517	1	
101	958 0010 401	FUSE(T500MAL/250V)	422-KT350A-003	1	270E3/370E3/35/65
	958 0010 414	FUSE (T160MAL /250V)	422-DCM270E2-029	1	270E2/EK/370E2
102		FUSE COVER	504-DJ2500J-046	1	
103	-	DATE LABEL	701-DCM270BK-1930	1	270E3/370E3/35/65
104		LASER LABEL	501-270BKE2-1300	1	270E2/EK/370E2
105	958 0007 304	FRONT PANEL ASSY	701-DCM270-2013	1	71+72 DCM270
	958 0013 107	FRONT PANEL ASSY	701-DCM35-2014	1	71+72 DCM35
	958 0007 317	FRONT PANEL ASSY	701-DCM370-2015	1	71+72 DCM370
	958 0013 110	FRONT PANEL ASSY	701-DCM65-2016	1	71+72 DCM65
106		POWER SW ASSY	704-DCM270X-2128	1	270E3/370E3/35/65
		POWER SW ASSY	704-DCM270E2-2217	1	270E2/EK/370E2
107	958 0010 207	MOTOR ASSY	704-KMD550B-2049	1	4+13
108	958 0010 100	TURNTABLE MOTOR ASSY	704-KMD550B-2050	1	4+39+41+42+43
109	958 0001 203	TURNTABLE ASSY	701-KMD550B-1900	1	3+38
110	958 0018 005	27P FFC CABLE (L=240)	406-DCM270X-455	1	DCM270/35
	958 0020 200	27P FFC CABLE (L=215)	406-DCM370E3-477	1	DCM370/65
111	958 0024 400	16P FFC CABLE	406-KMD5000-413	1	PU CABLE
112	203 0150 009	WIRE CONNECTOR	404-M100-015	3	
113	-	HEAT-SHRINKABLE TUBE	605-HDJ201F-050	3	O10*40L*0.5T
114	-	TUBE (UL BLACK 25*32*0.5T)	605-1311-024	1	O25*32L*0.5T

PACKING LIST



NO.	PARTS NO.	DESCRIPTION	ORIGINAL NO.	Q'TY	REMARKS	
12	958 0020 103	POLY FOAM (EK)	506-270BKEK-228	2	DCM270EK	
11	-	CONTROL CARD	701-270BKE2-1901	2	DCM370BKE2	
	-	CONTROL CARD	701-DCM65BK-1837	2	DCM65BKEU	
	-	CPNTRL CARD	701-DCM370BK-1835	2	DCM370BKE3	
	-	CONTROL CARD	701-DCM270BK-1834	2	DCM270E3	
	-	CONTROL CARD	701-DCM35BK-1836	2	DCM35EU	
	-	CONTROL CARD	701-270BKE2-1897	2	DCM270E2	
10	-	CONTROL CARD	701-270BKEK-1899	2	DCM270EK	
	-	UPC LABEL	501-370BKE2-1248	2	DCM370BKE2	
	-	UPC LABEL	501-DCM65BK-1248	1	DCM35BKEU	
	-	UPC LABEL	501-DCM370BK-1248	1	DCM370BKE3	
	-	UPC LABEL	701-DCM270BK-1834	1	DCM270E3	
	-	UPC LABEL	701-DCM35BK-1836	1	DCM35EU	
9	-	UPC LABEL	701-270BKE2-1248	2	DCM270E2	
	-	UPC LABEL	701-270BKEK-1248	2	DCM270EK	
	-	GUARANTEE ASSY	701-DCM370E3-1810	1	DCM270E3/370E3/35/65	
	8-3	958 0011 303	INSTRUCTION BOOK (270/307E3)	502-DCM270X-726	1	DCM270E3/370E3
		958 0013 301	INSTRUCTION BOOK (35/65EU)	502-DCM35-729	1	DCM35EU/65EU
		958 0011 316	INSTRUCTION BOOK (270/370E2)	502-270BKE2-836	1	DCM270E2/370E2
	958 0011 329	INSTRUCTION BOOK (270EK)	502-270BKEK-834	1	DCM270EK	
8-2	-	BATTERY(AA, R6P)	426-1410FRL-004	2		
8-1	-	2P RCA PATH CORD	408-DV300-5001	1		
8	-	IB ASS'Y	701-DCM270X-1771	1	DCM270E3/370E3	
	-	IB ASS'Y	701-DCM35-1775	1	DCM35EU/65EU	
	-	IB ASS'Y	701-270BKE2-1962	1	DCM270E2/370E2	
	-	IB ASS'Y	701-270BKEK-1961	1	DCM270EK	
7	-	APPENDAGE LABEL	501-BJ2300E-1190	1		
6	399 0313 008	REMOTE CONTROL ASSY (RC-258)	704-DCM270X-1799	1		
5	958 0011 002	POLY FORM (R)	506-HMD5000-197	1		
4	958 0011 109	POLY FOAM (L)	506-HMD5000-198	1		
3	958 0023 304	SOFT SHEET BUBBLE BAG	509-KMD520-040	1		
2	958 0023 401	POLY BAG	505-BJ2300-046	1		
1	958 0013 217	GIFT BOX (DCM65EU)	507-DCM65-2058	1	DCM65	
	958 0020 006	GIFT BOX (DCM370E3)	507-DCM370-2058	1	DCM370E3	
	958 0020 019	GIFT BOX (DCM370E2)	507-370BKE2-2058	1	DCM370E2	
	958 0011 206	GIFT BOX (DCM270E3)	507-DCM270-2058	1	DCM270E3	
	958 0013 204	GIFT BOX (DCM35EU)	507-DCM35-2058	1	DCM35EU	
	958 0011 219	GIFT BOX (DCM270E2)	507-270BKEK-2058	1	DCM270E2	
	958 0011 222	GIFT BOX (DCM270EK)	507-270BKEK-2125	1	DCM270EK	

CD MECHA UNIT EXPLODED VIEW

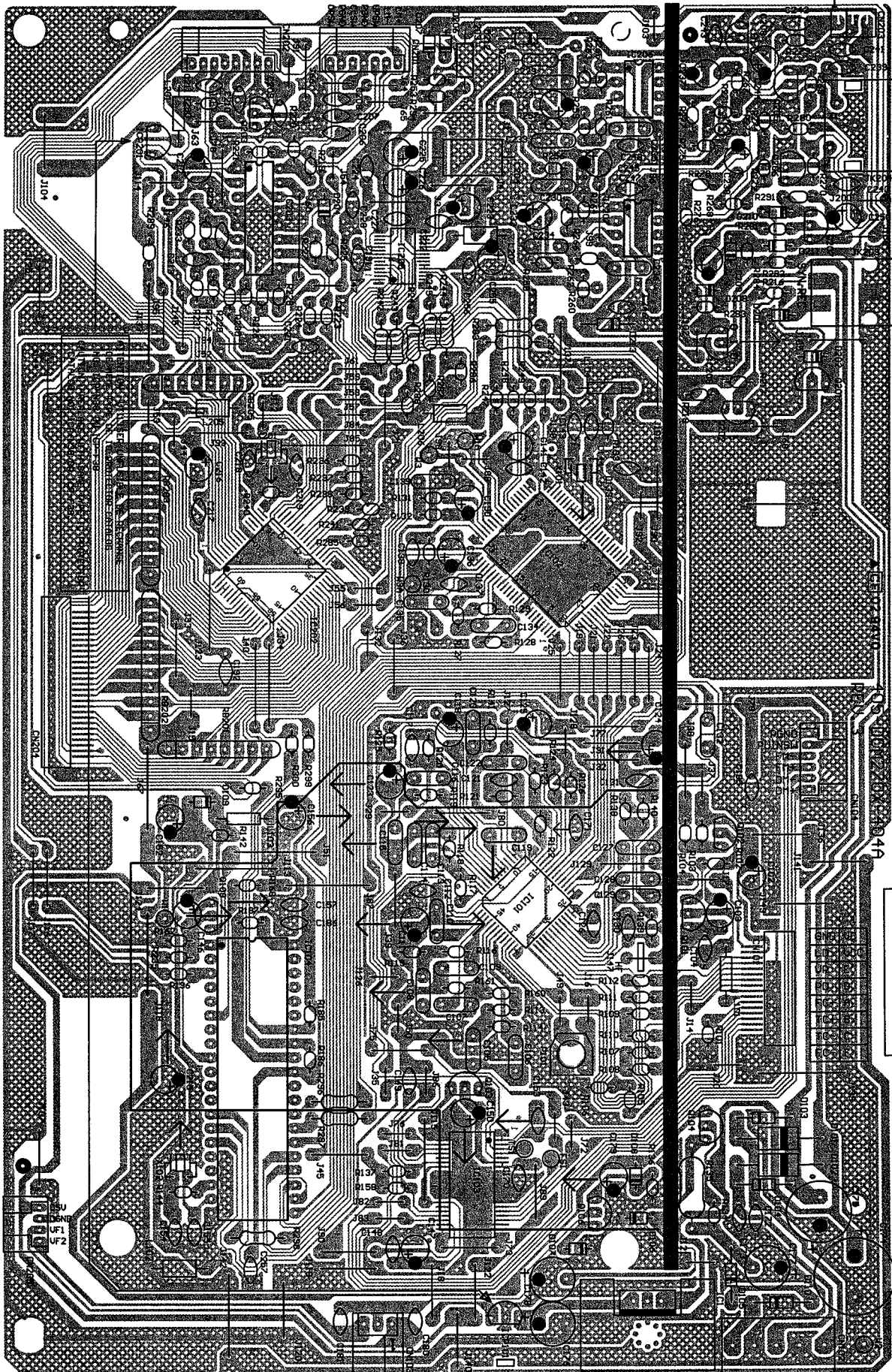


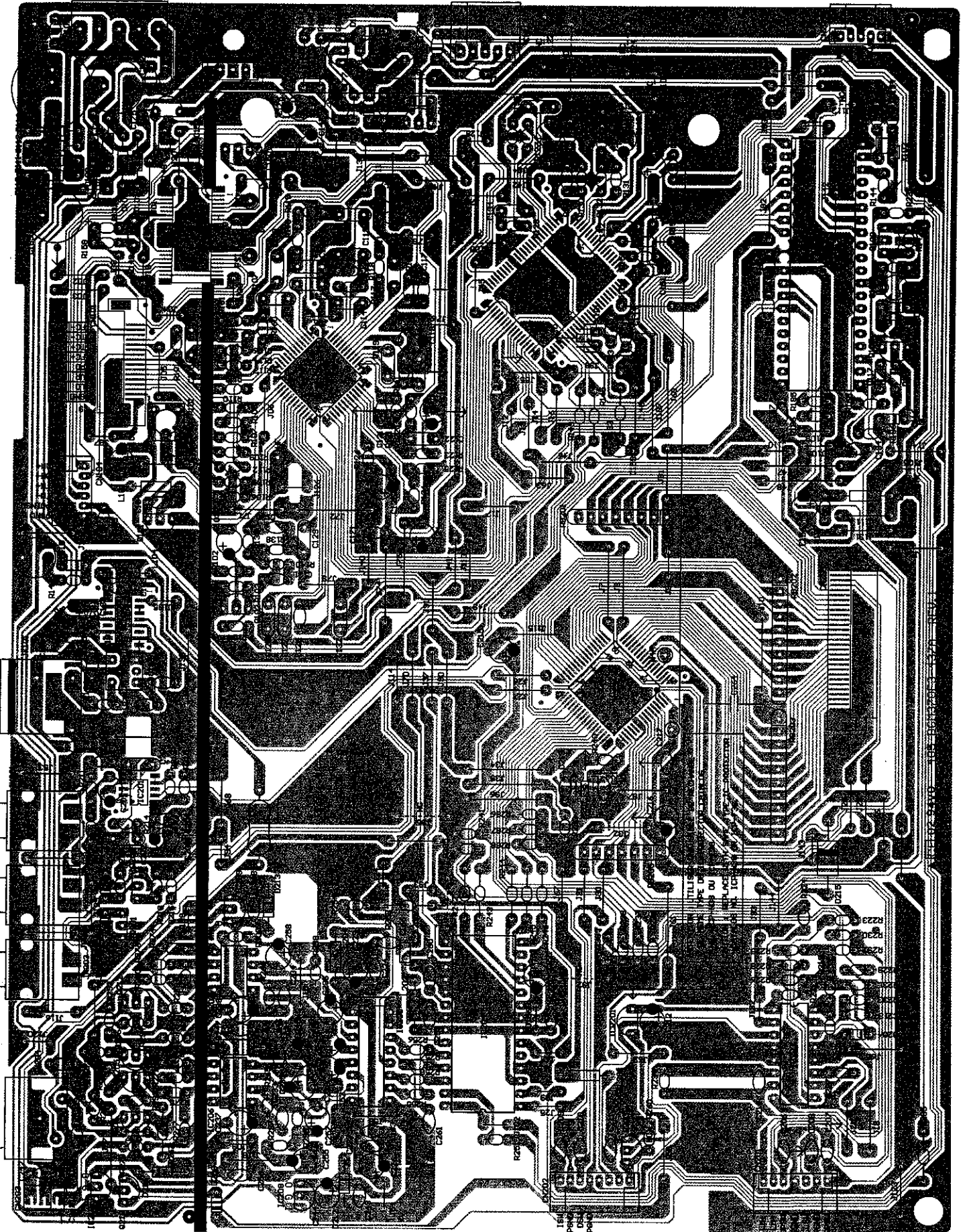
PARTS LIST OF CD MECHA UNIT EXPLODED VIEW

CD TRAY/UNIT KSM-213CCM

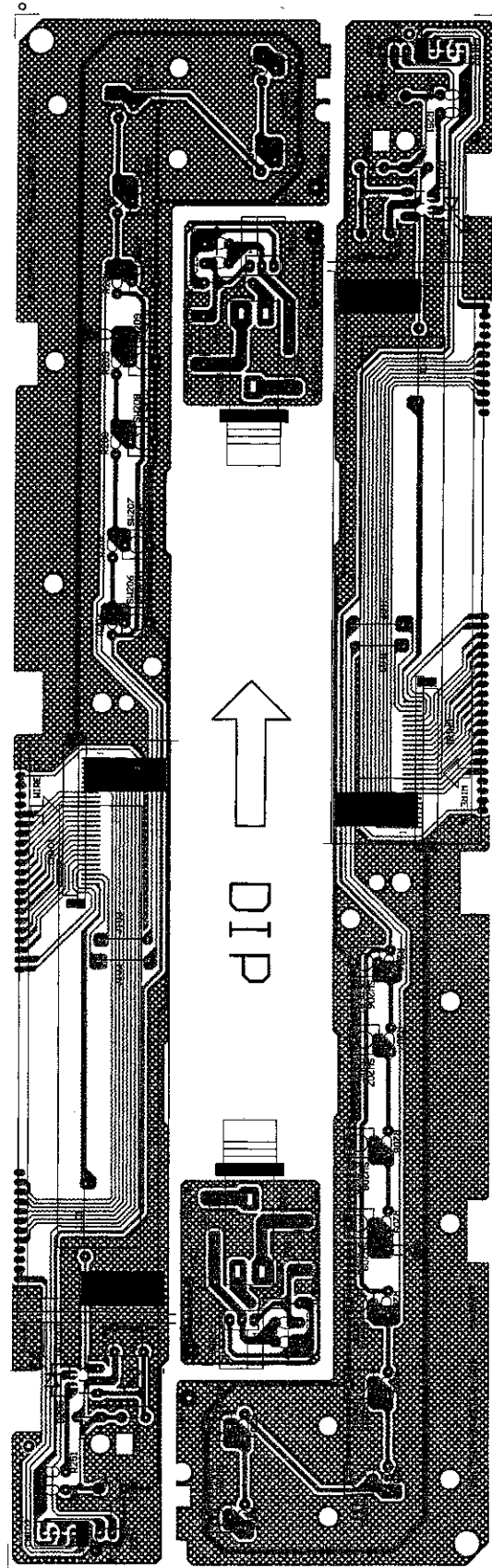
REF. NO.	PART NO.	PART NAME	REMARKS	Q'TY
1	SX2 6258 711	MOTOR CHASSIS ASS'Y		1
2	SX2 6257 691	MOTOR GEAR ASS'Y		1
3	S88 4831 931	OPTICAL PU	KSS-213B(PR)	1
4	S26 2690 801	SLIDE SHAFT		1
5	S26 2690 701	GEAR(A)(S)		1
6	S76 2125 510	SCREW 2X3		2
7	S15 7208 511	REAF SWITCH		1
8	S16 3967 812	MOTOR (6P)(S)PWB		1
9	S15 6472 211	6P CONNECTOR (PIN)		1

SERVO PCB (270E3/E2/EK/35EU)



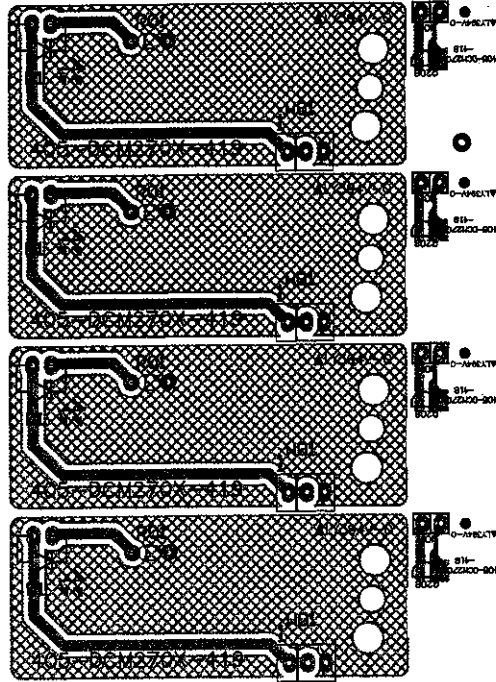


CONTROL PCB



PRINTED CIRCUIT BOARD

INFRANED EMITTING PCB & PHOTO TANSISTOR PCB



SERVO PCB PARTS LIST

REF. NO.	PARTS NO.	PARTS NAME	ORIGINAL NO.	Q'TY	REMARKS
	958 0006 305	SERVO PCB ASS'Y	704-DCM270X-1793	1	DCM-270/35
	958 0006 318	SERVO PCB ASS'Y	704-DCM370E3-1807	1	DCM-370/65
SEMICONDUCTORS GROUP					
IC1	958 0017 608	IC(BA08T 3PIN)	417-KMD5000-282	1	
	958 0017 103	HEAT SINK & IC(BA08T) ASSY	704-DCM270X-1978	1	
IC101	958 0017 404	IC(CXA1782CQ QFP48)	417-KMD3500-238	1	
IC102	958 0017 501	IC(CXD2500BQ QFP80)	417-KMD3500-239	1	
IC103	958 0017 307	DRIVE IC(BA6397FP HSOP28)	417-HV3288K-208	1	
IC104	958 0015 804	IC(SERVO U-COM OTP)	704-DCM270E3-1823	1	270E2:S/No.1~1000 270EK:S/No.1~700 270E3:S/No.51~9700 35EU:S/No.1~4600 370E2:S/No.1~500 370E3:S/No.28~7177 65EU:S/No.1~1800
	958 0022 208	IC(SERVO U-COM MASK)	417-DCM270X-381	1	270E2:S/No.1001~ 270EK:S/No.701~ 270E3:S/No.9701~ 35EU:S/No.4601~ 370E2:S/No.501~ 370E3:S/No.7178~ 65EU:S/No.1801~
	958 0013 806	IC PIN (40PIN)	404-HDJ7000-703	1	
IC202	958 0017 103	IC(MAIN U-COM OTP)	704-DCM270X-1978	1	270E2:S/No.1~1000 270EK:S/No.1~700 270E3:S/No.51~9700 35EU:S/No.1~4600 370E2:S/No.1~500 370E3:S/No.28~7177 65EU:S/No.1~1800
	958 0022 101	IC(MAIN U-COM MASK)	417-DCM270X-380	1	270E2:S/No.1001~ 270EK:S/No.701~ 270E3:S/No.9701~ 35EU:S/No.4601~ 370E2:S/No.501~ 370E3:S/No.7178~ 65EU:S/No.1801~
IC203	958 0015 202	IC(LA6531)	417-KC220-045	1	
IC204	262 2532 006	IC(PMD100, 28PIN, DIP)	417-RCC955A-295	1	DCM-370/65 ONLY
IC205	262 2490 902	IC(PCM1716E,SOP)	417-DCM270X-327	1	DCM-270/35
	262 2145 008	IC(PCM69AP, 16PIN, DIP)	417-RCC955A-292	1	DCM-370/65
IC206,207	958 0015 105	IC(4558D, DIP-8)	417-HDJ7000-261	2	
IC208	958 0016 308	IC(LM78L05, TO-92)	417-PMSE1-161	1	
IC209	263 0433 003	IC(79L05, TO-92)	417-HMD5000-281	1	DCM-270/35
	263 0504 000	IC(79L12, TO-92)	417-DCM370E3-374	1	DCM-370/65
IC210	263 0305 005	IC(78L12, TO-92)	417-DCM370E3-373	1	DCM-370/65 ONLY
ICP101,201	958 0016 201	IC(ICP-N38,2 PIN)	417-DCM270X-330	2	
Q101,102	958 0016 007	TRANSISTOR(2SA933SR OR 2SA608G)	416-3113-008	2	
Q103,104	958 0015 901	TRANSISTOR(2SB1010(R) OR 2SB892T)	416-13605-017	2	
Q106	269 0099 908	DIGIT TRANSISTOR(DTC143TS)	416-DCM270E3-130	1	
Q107	269 0075 906	DIGIT TRANSISTOR(DTC124TS)	416-1330-020	1	DCM-370/65 ONLY
Q108	269 0092 905	DIGIT TRANSISTOR(DTA124TS)	416-KE2005-024	1	
Q201,202	269 0020 906	TRANSISTOR(DTC114ES)	416-HC21FR-058	2	
Q203	269 0062 906	DIGIT TRANSISTOR(DTC124ES)	416-3113-010	1	
Q205,206	958 0016 104	TRANSISTOR(2SD1468)	416-3113-009	2	DCM-270/35
	273 0379 902	TRANSISTOR(2SC3792)	416-DCM370E3-129	2	DCM-370/65
Q207	269 0092 905	DIGIT TRANSISTOR(DTA124TS)	416-KE2005-024	1	DCM-270/35 ONLY
Q210	269 0062 906	DIGIT TRANSISTOR(DTC124ES)	416-3113-010	1	DCM-370/65 ONLY
Q211,212	273 0379 902	TRANSISTOR(2SC3792)	416-DCM370E3-129	2	DCM-370/65 ONLY
D101,102	958 0014 805	RECTIFIER DIODE(1N5392)	414-HT7016-031	2	DCM-270/35
	958 0018 500	RECTIFIER DIODE(1N4001)	414-PMSE1-035	2	DCM-370/65
D103,104	958 0018 500	RECTIFIER DIODE(1N4001)	414-PMSE1-035	2	9L23980621
D105	958 0018 607	RECTIFIER DIODE(1N4002)	414-DV300-5014	1	DCM-270/35
		RECTIFIER DIODE(1N4002, BULK)	414-F202-001	1	DCM-370/65
D106	958 0016 706	ZENER DIODE(MTZJ27D-M-T77)	414-DCM270E3-093	1	
D107	958 0016 502	ZENER DIODE(MTZJ18C-T77)	414-HMD5000-081	1	
D108	958 0016 803	ZENER DIODE(MTZ6.8C,1/2W)	414-KC720-016	1	
D109	276 0401 905	SWITCH DIODE(1SS133)	414-3113-005	1	
D111~114	958 0018 500	RECTIFIER DIODE(1N4001)	414-PMSE1-035	4	DCM-370/65 ONLY
D115	276 0401 905	SWITCH DIODE(1SS133)	414-3113-005	1	
D117,118	276 0401 905	SWITCH DIODE(1SS133)	414-3113-005	2	
D201,202	958 0016 405	DIODE(MTZJ5.6C)	414-DCM270X-089	2	LA560C0015
D204	958 0016 609	ZENER DIODE(10V,MTZ10C)	414-HT7016-027	1	

SERVO PCB PARTS LIST

REF. NO.	PARTS NO.	PARTS NAME	ORIGINAL NO.	Q'TY	REMARKS
D206,207	276 0401 905	SWITCH DIODE(1SS133)	414-3113-005	2	DCM-270/35 ONLY
D208	276 0439 906	ZENER DIODE(5.1,MTZ5.1B)	414-HDJ200-056	1	
	958 0020 909	ZENER DIODE(MTZ12B-T77)	414-HT8015-026	1	DCM-370/65 ONLY
D209~211	276 0401 905	SWITCH DIODE(1SS133)	414-3113-005	3	DCM-270/35 ONLY
D212,213	958 0018 500	RECTIFIER DIODE(1N4001)	414-PMSE1-035	2	9L2398062T
D214	958 0018 500	RECTIFIER DIODE(1N4001)	414-PMSE1-035	1	DCM-370/65 ONLY
J43	276 0401 905	SWITCH DIODE(1SS133)	414-3113-005	1	DCM-370/65 ONLY
RESISTORS GROUP					
R281	241 0193 000	CARBON FILM RESISTOR (2.2K OHM, 1/2W)	412-DCM370E3-440	1	DCM370/65 ONLY
RB201	958 0014 407	CARBON FILM RESISTOR(150K * 7)	412-HV3363K-358	1	270E2:S/No.1~1000
					270E3:S/No.51~9700
					35EU:S/No.1~4600
					370E2:S/No.1~500
					370E3:S/No.28~7177
					65EU:S/No.1~1800
RB202,203	958 0014 504	CARBON FILM RESISTOR(150K * 9)	412-HV3363K-359	2	270E2:S/No.1~1000
					270E3:S/No.51~9700
					35EU:S/No.1~4600
					370E2:S/No.1~500
					370E3:S/No.28~7177
					65EU:S/No.1~1800
RB205	958 0014 601	CARBON FILM RESISTOR(10K * 6)	412-KMD280-165	1	
P101	958 0014 300	SEMI FIXED RESISTOR(P=5MM M B100K)	412-3113-043	1	
CAPACITORS GROUP					
C102,103	254 4192 032	ELECTOR CAPACITOR(CE100UF/10V)	413-3113-046	2	
C104	253 1180 028	CERAMIC CAPACITOR(CK1000P K 50V)	413-1430-071	1	
C105,106	255 1212 905	MYLAR CAPACITOR(CQ0.01UF J 50V)	413-3113-057	2	
C107	255 1204 900	MYLAR CAPACITOR(CQ2200PF J 50V)	413-3113-059	1	
C108	255 1080 001	MYLAR CAPACITOR(CQ0.047UF 50V)	413-KT300-099	1	
C109	958 0021 209	MYLAR CAPACITOR(CQ4700P 100V)	413-HT8015-159	1	
C110	255 1122 040	MYLAR CAPACITOR(CQ0.1UF 50V)	413-KT350-089	1	
C111	254 4194 056	ELECTOR CAPACITOR(CE100UF/25V)	413-HT5010-139	1	
C112	253 9039 906	CERAMIC CAPACITOR(CK0.1UF Z 25V)	413-2002-020	1	
C113	255 1204 900	MYLAR CAPACITOR(CQ2200PF J 50V)	413-3113-059	1	
C114~116	255 1122 040	MYLAR CAPACITOR(CQ0.1UF 50V)	413-KT350-089	3	
C117	253 1055 085	CERAMIC CAPACITOR(CC180P K 50V)	413-3113-030	1	
C118	254 4196 973	ELECTOR CAPACITOR(CE4.7UF/50V)	413-3113-050	1	
C119	255 1218 909	MYLAR CAPACITOR(CQ0.033UF 50V)	413-KT350-088	1	
C120	255 1212 905	MYLAR CAPACITOR(CQ0.01UF J 50V)	413-3113-057	1	
C121	958 0021 306	CERAMIC CAPACITOR(CC100P K 50V)	413-PXE90-107	1	
C122	255 1080 001	MYLAR CAPACITOR(CQ0.047UF 50V)	413-KT300-099	1	
C123	254 4194 917	ELECTOR CAPACITOR(CE10UF/25V)	413-MPG100-249	1	
C124,125	254 4192 032	ELECTOR CAPACITOR(CE100UF/10V)	413-3113-046	2	
C126	958 0021 102	CERAMIC CAPACITOR(CK0.033UF)	413-PMSE1-262	1	
C127	255 1212 905	MYLAR CAPACITOR(CQ0.01UF J 50V)	413-3113-057	1	
C128	255 1218 909	MYLAR CAPACITOR(CQ0.033UF 50V)	413-KT350-088	1	
C129	255 1212 905	MYLAR CAPACITOR(CQ0.01UF J 50V)	413-3113-057	1	
C130	958 0021 403	CERAMIC CAPACITOR(CH2P C NPO)	413-KT350-091	1	
C131	958 0021 500	CERAMIC CAPACITOR(CC20P +/-0.25P 50V)	413-3113-034	1	
C132	255 1205 909	MYLAR CAPACITOR(CQ0.0027UF)	413-PXE90-108	1	
C133	253 9036 006	CERAMIC CAPACITOR(CK0.1UF Z 25V)	413-3113-035	1	
C134	255 1080 001	MYLAR CAPACITOR(CQ0.047UF 50V)	413-KT300-099	1	
C135	255 1120 026	MYLAR CAPACITOR(CQ0.0015UF 50V)	413-HMD5000-356	1	
C136	254 4192 032	ELECTOR CAPACITOR(CE100UF/10V)	413-3113-046	1	
C137	253 9036 006	CERAMIC CAPACITOR(CK0.1UF Z 25V)	413-3113-035	1	
C138	253 1055 056	CERAMIC CAPACITOR(CC220P K 50V)	413-3113-032	1	
C139	255 1212 905	MYLAR CAPACITOR(CQ0.01UF J 50V)	413-3113-057	1	
C140	254 4196 986	ELECTOR CAPACITOR(CE0.47UF/50V)	413-KT350-093	1	DCM-370/65 ONLY
C141	254 4192 032	ELECTOR CAPACITOR(CE100UF/10V)	413-3113-046	1	
C142	253 9039 906	CERAMIC CAPACITOR(CK0.1UF Z 25V)	413-2002-020	1	
C143,144	958 0021 500	CERAMIC CAPACITOR(CC20P +/-0.25P 50V)	413-3113-034	2	
C146	254 4260 948	ELECTOR CAPACITOR(CE1UF/50V)	413-3113-049	1	DCM-270/35 ONLY
C147	254 4360 000	ELECTOR CAPACITOR(CE220UF/10V)	413-KC220-119	1	
C148	253 9036 006	CERAMIC CAPACITOR(CK0.1UF Z 25V)	413-3113-035	1	
C149	958 0021 102	CERAMIC CAPACITOR(CK0.033UF)	413-PMSE1-262	1	
C150	254 4194 056	ELECTOR CAPACITOR(CE100UF/25V)	413-HT5010-139	1	
C151	253 4536 909	CERAMIC CAPACITOR(CC10P K 50V)	413-3113-039	1	DCM-370/65 ONLY
C152	254 4196 986	ELECTOR CAPACITOR(CE0.47UF/50V)	413-KT350-093	1	
C153	958 0021 306	CERAMIC CAPACITOR(CC100P K 50V)	413-PXE90-107	1	

SERVO PCB PARTS LIST

REF. NO.	PARTS NO.	PARTS NAME	ORIGINAL NO.	Q'TY	REMARKS
C154,155	958 0021 500	CERAMIC CAPACITOR(CC20P +/-0.25P 50V)	413-3113-034	2	
C156	254 4194 056	ELECTOR CAPACITOR(CE100UF/25V)	413-HT5010-139	1	
C157	253 9036 006	CERAMIC CAPACITOR(CK0.1UF Z 25V)	413-3113-035	1	DCM-370/65 ONLY
C158	253 1010 004	CERAMIC CAPACITOR(CK0.01UF Z 50V)	413-3113-028	1	DCM-370/65 ONLY
C159	253 4536 909	CERAMIC CAPACITOR(CC10P K 50V)	413-3113-039	1	DCM-370/65 ONLY
C161	253 9036 006	CERAMIC CAPACITOR(CK0.1UF Z 25V)	413-3113-035	1	DCM-370/65 ONLY
C162	253 1180 028	CERAMIC CAPACITOR(CK1000P K 50V)	413-1430-071	1	DCM-370/65 ONLY
C163	253 9036 006	CERAMIC CAPACITOR(CK0.1UF Z 25V)	413-3113-035	1	DCM-370/65 ONLY
C166	253 1010 004	CERAMIC CAPACITOR(CK0.01UF Z 50V)	413-3113-028	1	DCM-370/65 ONLY
C170	253 9039 906	CERAMIC CAPACITOR(CK0.1UF Z 25V)	413-2002-020	1	DCM-270/35
	253 9036 006	CERAMIC CAPACITOR(CK0.1UF Z 25V)	413-3113-035	1	DCM-370/65
C171	253 9036 006	CERAMIC CAPACITOR(CK0.1UF Z 25V)	413-3113-035	1	
C172,173	253 1010 004	CERAMIC CAPACITOR(CK0.01UF Z 50V)	413-3113-028	2	
C174	958 0014 708	ELECTOR CAPACITOR(CE3300UF/16V)	413-HDJ200-230	1	DCM-270/35
	254 4406 702	ELECTOR CAPACITOR(CE3300UF/16V)	413-DCM370E3-450	1	DCM-370/65
C175	254 4254 077	ELECTOR CAPACITOR(CE470UF/16V)	413-HT8015-164	1	DCM-270/35
	254 4256 774	ELECTOR CAPACITOR(CE470UF/25V)	413-DV300-5158	1	DCM-370/65
C176	254 4360 000	ELECTOR CAPACITOR(CE220UF/10V)	413-KC220-119	1	
C177	254 4261 028	ELECTOR CAPACITOR(CE100UF/50V)	413-HC1421FR-277	1	
C178	254 4261 028	ELECTOR CAPACITOR(CE100UF/35V)	413-HMD3500-356	1	
C179	254 4260 087	ELECTOR CAPACITOR(CE10UF/35V)	413-HT5010-123	1	DCM-270/35
	254 4260 087	ELECTOR CAPACITOR(CE10UF/35V)	413-HC1421FR-227	1	DCM-370/65
C180,181	253 1010 004	CERAMIC CAPACITOR(CK0.01UF Z 50V)	413-3113-028	2	
C182	254 4192 032	ELECTOR CAPACITOR(CE100UF/10V)	413-3113-046	1	DCM-370/65 ONLY
C184	253 9036 006	CERAMIC CAPACITOR(CK0.1UF Z 25V)	413-3113-035	1	DCM-370/65 ONLY
C185	253 1010 004	CERAMIC CAPACITOR(CK0.01UF Z 50V)	413-3113-028	1	
C186	253 9036 006	CERAMIC CAPACITOR(CK0.1UF Z 25V)	413-3113-035	1	DCM-270/35 ONLY
C187	253 4538 907	CERAMIC CAPACITOR(CC68P K 50V)	413-3113-031	1	DCM-370/65 ONLY
C188	254 4260 948	ELECTOR CAPACITOR(CE1UF/50V)	413-3113-049	1	DCM-370/65 ONLY
C189	254 4256 075	ELECTOR CAPACITOR(CE470UF/25V)	413-DCM370E3-454	1	DCM-370/65 ONLY
C190	254 4196 986	ELECTOR CAPACITOR(CE0.47UF/50V)	413-KT350-093	1	DCM-270/35
	254 4256 059	ELECTOR CAPACITOR(CE220UF/25V)	413-DV300-292	1	DCM-370/65
C193	253 1010 004	CERAMIC CAPACITOR(CK0.01UF Z 50V)	413-3113-028	1	DCM-370/65 ONLY
C194	253 9036 006	CERAMIC CAPACITOR(CK0.1UF Z 25V)	413-3113-035	1	DCM-370/65 ONLY
C195	253 1180 028	CERAMIC CAPACITOR(CK1000P K 50V)	413-1430-071	1	DCM-370/65 ONLY
C201	254 4260 948	ELECTOR CAPACITOR(CE1UF/50V)	413-3113-049	1	DCM-370/65 ONLY
C202,203	255 1212 905	MYLAR CAPACITOR(CQ0.01UF 50V)	413-3113-057	2	DCM-370/65 ONLY
C204	253 1010 004	CERAMIC CAPACITOR(CK0.01UF Z 50V)	413-3113-028	1	DCM-370/65 ONLY
C205	254 4254 938	ELECTOR CAPACITOR(CE47UF/16V)	413-KT350-085	1	DCM-370/65 ONLY
C206~210	253 1010 004	CERAMIC CAPACITOR(CK0.01UF Z 50V)	413-3113-028	5	
C211	253 9036 006	CERAMIC CAPACITOR(CK0.1UF Z 25V)	413-3113-035	1	
C212	254 4193 044	ELECTOR CAPACITOR(CE100UF/16V)	413-PXE90-109	1	
C213	253 1010 004	CERAMIC CAPACITOR(CK0.01UF Z 50V)	413-3113-028	1	DCM-370/65 ONLY
C214	253 1010 004	CERAMIC CAPACITOR(CK0.01UF Z 50V)	413-3113-028	1	
C215	254 4196 973	ELECTOR CAPACITOR(CE4.7UF/50V)	413-MPG100-253	1	
C216	254 4192 032	ELECTOR CAPACITOR(CE100UF/10V)	413-3113-046	1	
C217	253 9036 006	CERAMIC CAPACITOR(CK0.1UF Z 25V)	413-3113-035	1	
C218,219	253 3123 009	CERAMIC CAPACITOR(CH12P NPO)	413-DV300B-303	2	
C221	253 9036 006	CERAMIC CAPACITOR(CK0.1UF Z 25V)	413-3113-035	1	DCM-270/35
	254 4192 032	ELECTOR CAPACITOR(CE100UF/10V)	413-3113-046	1	DCM-370/65
C222	253 9036 006	CERAMIC CAPACITOR(CK0.1UF Z 25V)	413-3113-035	2	
C223	254 4194 904	ELECTOR CAPACITOR(CE10UF/25V)	413-3113-052	1	DCM-270/35
	254 4192 032	ELECTOR CAPACITOR(CE100UF/10V)	413-3113-046	1	DCM-370/65
C224	253 9036 006	CERAMIC CAPACITOR(CK0.1UF Z 25V)	413-3113-035	1	
C225	254 4194 904	ELECTOR CAPACITOR(CE10UF/25V)	413-3113-052	1	DCM-270/35 ONLY
C226	254 4360 000	ELECTOR CAPACITOR(CE220UF/10V)	413-KC220-119	1	DCM-270/35
	254 4192 032	ELECTOR CAPACITOR(CE100UF/10V)	413-3113-046	1	DCM-370/65
C227	253 9039 906	CERAMIC CAPACITOR(CK0.1UF Z 25V)	413-2002-020	1	DCM-270/35
	253 9036 006	CERAMIC CAPACITOR(CK0.1UF Z 25V)	413-3113-035	1	DCM-370/65
C228	253 9039 906	CERAMIC CAPACITOR(CK0.1UF Z 25V)	413-2002-020	1	DCM-270/35
	254 4194 904	ELECTOR CAPACITOR(CE10UF/25V)	413-3113-052	1	DCM-370/65
C229	255 1120 068	MYLAR CAPACITOR(CQ0.0033UF 50V)	413-KT300-103	1	DCM-270/35
	254 4194 904	ELECTOR CAPACITOR(CE10UF/25V)	413-3113-052	1	DCM-370/65
C230	255 1120 068	MYLAR CAPACITOR(CQ0.0033UF 50V)	413-KT300-103	1	DCM-270/35 ONLY
C231,232	254 4194 904	ELECTOR CAPACITOR(CE10UF/25V)	413-3113-052	2	DCM-270/35 ONLY
C233,234	254 4194 904	MYLAR CAPACITOR(CQ0.001UF 50V)	413-PMSE1-279	2	DCM-270/35
	253 1055 056	CERAMIC CAPACITOR(CC220P K 50V)	413-3113-032	2	DCM-370/65

SERVO PCB PARTS LIST

REF. NO.	PARTS NO.	PARTS NAME	ORIGINAL NO.	Q'TY	REMARKS
C235,236	255 1120 013	MYLAR CAPACITOR(CQ0.0012UF)	413-HV3423K-343	2	DCM-270/35
	254 4193 044	ELECTOR CAPACITOR(CE100UF/16V)	413-PXE90-109	2	DCM-370/65
C237,238	254 4260 993	ELECTOR CAPACITOR(CE22UF/50V)	413-DM1000-351	2	
C239,240	253 1002 009	CERAMIC CAPACITOR(CK470P K 50V)	413-3113-036	2	
C241,242	253 1180 028	CERAMIC CAPACITOR(CK1000P K 50V)	413-1430-071	2	
C243	253 9036 006	CERAMIC CAPACITOR(CK0.1UF Z 25V)	413-3113-035	1	
C244,245	254 4192 032	ELECTOR CAPACITOR(CE100UF/10V)	413-3113-046	2	DCM-270/35
	254 4193 044	ELECTOR CAPACITOR(CE100UF/16V)	413-PXE90-109	2	DCM-370/65
C246~248	253 9036 006	CERAMIC CAPACITOR(CK0.1UF Z 25V)	413-3113-035	3	
C249	254 4194 904	ELECTOR CAPACITOR(CE100UF/25V)	413-3113-052	1	DCM-270/35 ONLY
C250	254 4360 000	ELECTOR CAPACITOR(CE220UF/10V)	413-KC220-119	1	DCM-270/35 ONLY
C255	254 4192 032	ELECTOR CAPACITOR(CE100UF/10V)	413-3113-046	1	DCM-270/35
	254 4193 044	ELECTOR CAPACITOR(CE100UF/16V)	413-PXE90-109	1	DCM-370/65
C256	253 9036 006	CERAMIC CAPACITOR(CK0.1UF Z 25V)	413-3113-035	1	
C257	253 9036 006	CERAMIC CAPACITOR(CK0.1UF Z 25V)	413-3113-035	1	DCM-270/35
	254 4254 938	ELECTOR CAPACITOR(CE47UF/16V)	413-KT350-085	1	DCM-370/65
C258	254 4254 938	ELECTOR CAPACITOR(CE47UF/16V)	413-KT350-085	1	DCM-370/65 ONLY
C259	253 9036 006	CERAMIC CAPACITOR(CK0.1UF Z 25V)	413-3113-035	1	DCM-370/65 ONLY
C260	253 4538 907	CERAMIC CAPACITOR(CC68P K 50V)	413-3113-031	1	DCM-370/65 ONLY
C261	958 0021 607	CERAMIC CAPACITOR(CH22P K 50V)	413-PMSE1-285	1	DCM-270/35
	253 9039 906	CERAMIC CAPACITOR(CK0.1UF Z 25V)	413-2002-020	1	DCM370/65
OTHER PARTS GROUP					
CN11		5P SOCKET JST P=2.5MM)	404-DJ1900-172	1	DCM-370/65 ONLY
CN101	958 0014 009	SOCKET(16PIN P=1.0MM SMD FPC2T-16P)	404-HV3423K-583	1	
CN102	958 0013 903	5P JACK(P=3.75MM, WHITE)	404-HV3363K-555	1	
CN103	958 0014 203	3P SOCKET(JST P=2.5MM)	404-KMD3500-609	1	DCM-270/35 ONLY
CN104	958 0013 505	6P SOCKET(JST P=2.0MM S6B-PH-K-S)	404-90V1-101	1	
CN201	958 0013 709	7P JACK	404-KMD280-277	1	
CN202	958 0013 408	8P JACK(BROWN JAE P=2MM IL-S-8P-S2L2-EF)	404-501-085	1	
CN203	958 0014 203	3P SOCKET(JST P=2.5MM)	404-KMD3500-609	1	
CN204	958 0013 602	27P FFC SOCKET(P=1MM,SMT ZIF TYPE)	404-DCM270X-793	1	
CN205	958 0014 106	4P SOCKET(S 5B-PH-K 2MM)	404-DCM270E3-878	1	DCM-270/35
	958 0020 608	5P SOCKET(S 5B-PH-K 2MM)	404-KMD280A-318	1	DCM-370/65
L101	958 0017 006	INDUCTOR(10UH 52MM)	415-MPG100-047	1	
L102	958 0016 900	BEAD CORD(86-019-A)	415-HV3500K-090	1	DCM-270/35 ONLY
L103	958 0017 006	INDUCTOR(10UH 52MM)	415-MPG100-047	1	
L104	958 0017 006	INDUCTOR(10UH 52MM)	415-MPG100-047	1	DCM-370/65 ONLY
L201	958 0017 006	INDUCTOR(10UH 52MM)	415-MPG100-047	1	
L202	958 0016 900	BEAD CORD(86-019-A)	415-HV3500K-090	1	DCM-370/65 ONLY
L203	958 0016 900	BEAD CORD(86-019-A)	415-HV3500K-090	1	
L204	958 0014 902	CORE(BC 0610R6H-Y7 (2.5))	415-KM280A-021	1	DCM-270/35 ONLY
L205	958 0016 900	BEAD CORD(86-019-A)	415-HV3500K-090	1	DCM-270/35
	958 0021 704	BEAD(RH03506BT-B)	415-DCM370E3-134	1	DCM-370/65
L206,207	958 0016 900	BEAD CORD(86-019-A)	415-HV3500K-090	2	DCM-270/35 ONLY
L208	958 0016 900	BEAD CORD(86-019-A)	415-HV3500K-090	1	DCM-370/65 ONLY
T101	958 0020 705	COIL (P-7GB)	415-RCC955A-091	1	DCM-370/65 ONLY
X101	958 0015 600	CRYSTAL (16.9344 MHZ)	427-KC710-019	1	
X102	958 0015 707	CRYSTAL (12 MHZ)	427-KMD3500-047	1	
X201	958 0015 503	CRYSTAL 8 MHZ	427-DV300-5017	1	
JK101	958 0020 802	1P RCA SOCKET(BLACK)	420-HMD5000-054	1	DCM-370/65 ONLY
JK201,202	958 0015 406	3.5 HEADPHONE JACK(JY-3535-01-030GD)	420-HMD3360K-5014	2	DCM-370/65 ONLY
JK203	958 0015 406	3.5 HEADPHONE JACK(JY-3535-01-030GD)	420-HMD3360K-5014	1	
JK204	958 0015 309	2P RCA SOCKET(RJ-1084-10-0320A)	420-HMD5000-058	1	
W1-WA	958 0017 705	CONNECTOR WIRE	406-M200-044	1	DCM-270/35 ONLY
W1	-	WIRE(L=110MM, AWM1617, AWG22, BLACK)	406-DCM270E3-479	1	DCM-370/65 ONLY

CONTROL PCB PARTS LIST

REF. NO.	PARTS NO.	PARTS NAME	ORIGINAL NO.	Q'TY	REMARKS
	958 0008 206	CONTROL PCB ASSY	704-DCM270X-1795	1	270E3/35EU
	958 0008 219	CONTROL PCB ASSY	704-DCM270E2-2044	1	270E2/EK
	958 0019 208	CONTROL PCB ASSY	704-DCM370E3-1843	1	370E3/65EU
	958 0019 211	CONTROL PCB ASSY	704-DCM370E2-2054	1	370E2
SEMICONDUCTORS GROUP					
S201	958 0006 509	IC(LTM-97DT-380)	417-RCC955A-312	1	
Q204	273 0178 006	TRANSISTOR(2SC1740R)	416-3113-007	1	DCM-370/65 ONLY
D205	958 0024 507	LED	410-DCM370X-133	1	DCM-370/65 ONLY
RESISTORS GROUP					
R210	241 2400 034	CARBON FILM RESISTOR(5.6K OHM J 1/6W)	412-3113-044	1	E2/EK MODEL ONLY
CAPACITORS GROUP					
C220	254 4192 032	ELECTOR CAPACITOR(100UF10V)	413-3113-046	1	
OTHER PARTS GROUP					
CN101	958 0013 602	27P FFC SOCKET	404-DCM270X-793	1	
CN102	958 0017 909	4P CONNECTOR WIRE	404-DCM270X-794	1	DCM-270/35
	958 0020 404	5P CONNECTOR WIRE(L=250)	404-DCM370E3-905	1	DCM-370/65
VFD201	958 0007 906	VFD(7MT-215GK)	410-HV3421K-102	1	
SW201-209	958 0018 306	SWITCH	403-DCM270X-101	9	

PHONE PCB PARTS LIST

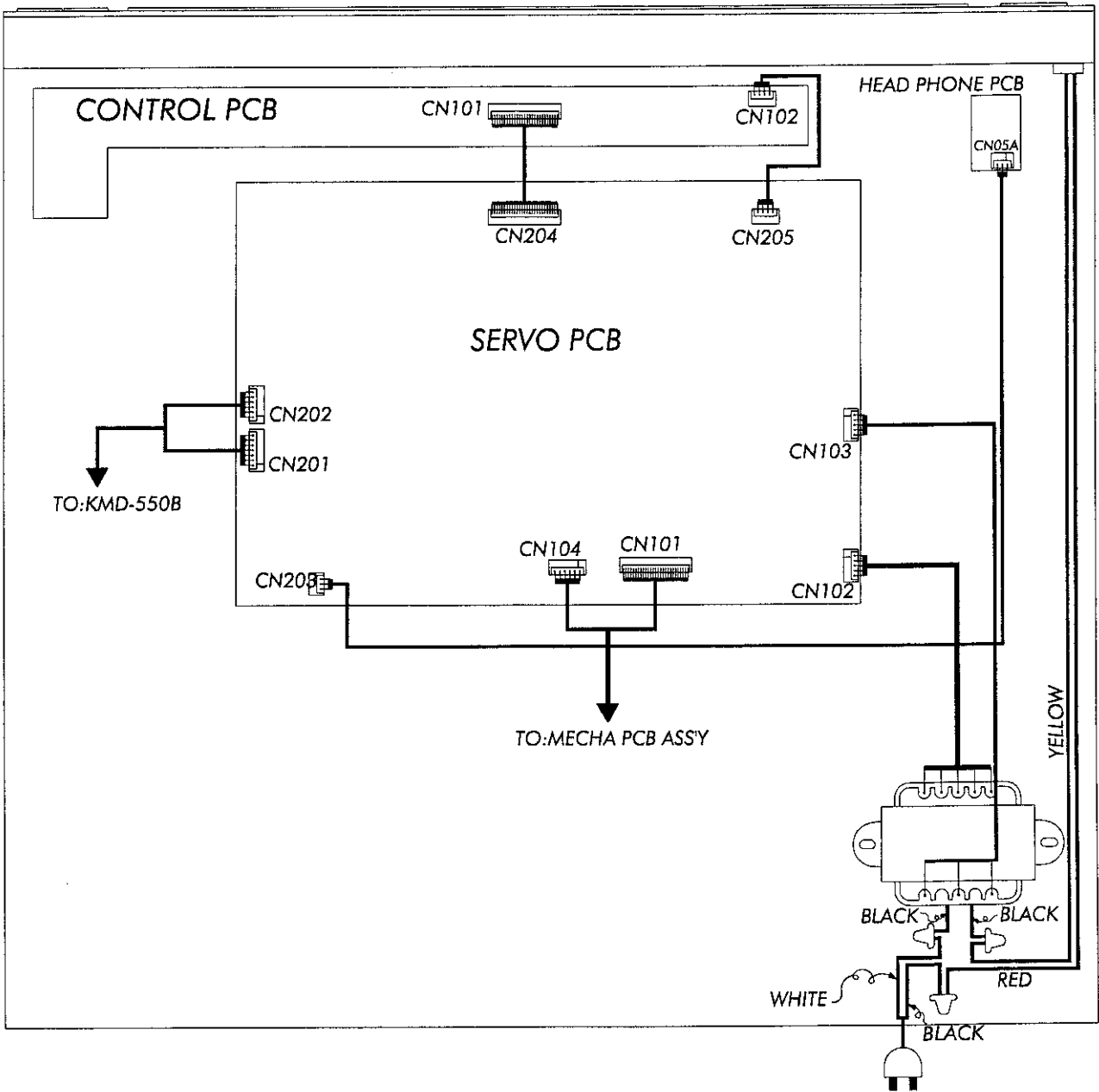
REF. NO.	PARTS NO.	PARTS NAME	ORIGINAL NO.	Q'TY	REMARKS
	958 0007 809	PHONE PCB ASSY	704-DCM270X-1796	1	DCM-270/35
	958 0022 208	PHONE PCB ASSY	704-DCM370E3-2092	1	DCM-370/65
CAPACITORS GROUP					
C252	253 9039 906	CERAMIC CAPACITOR(0.1UF Z 2)	413-3113-035	1	
C253,254	253 1180 028	CERAMIC CAPACITOR(1000PF 50V)	413-1430-071	2	
OTHR PARTS GROUP					
CN05A	958 0114 203	3P SOCKET	404-KMD3500-609	1	DCM-270/35
	958 0021 801	3P SOCKET(JST P=2.5MM)	404-HV3500K-623	1	DCM-370/65
L205-207	958 0016 900	BEAD CORD(86-019-A)	415-HV3500K-090	3	
JK205	958 0018 102	PHONE JACK	420-DCM270X-062	1	
GND	958 0017 802	WIRE(L=80MM)	406-HV3500K-408	1	

INFRAND EMITTING PCB PARTS LIST

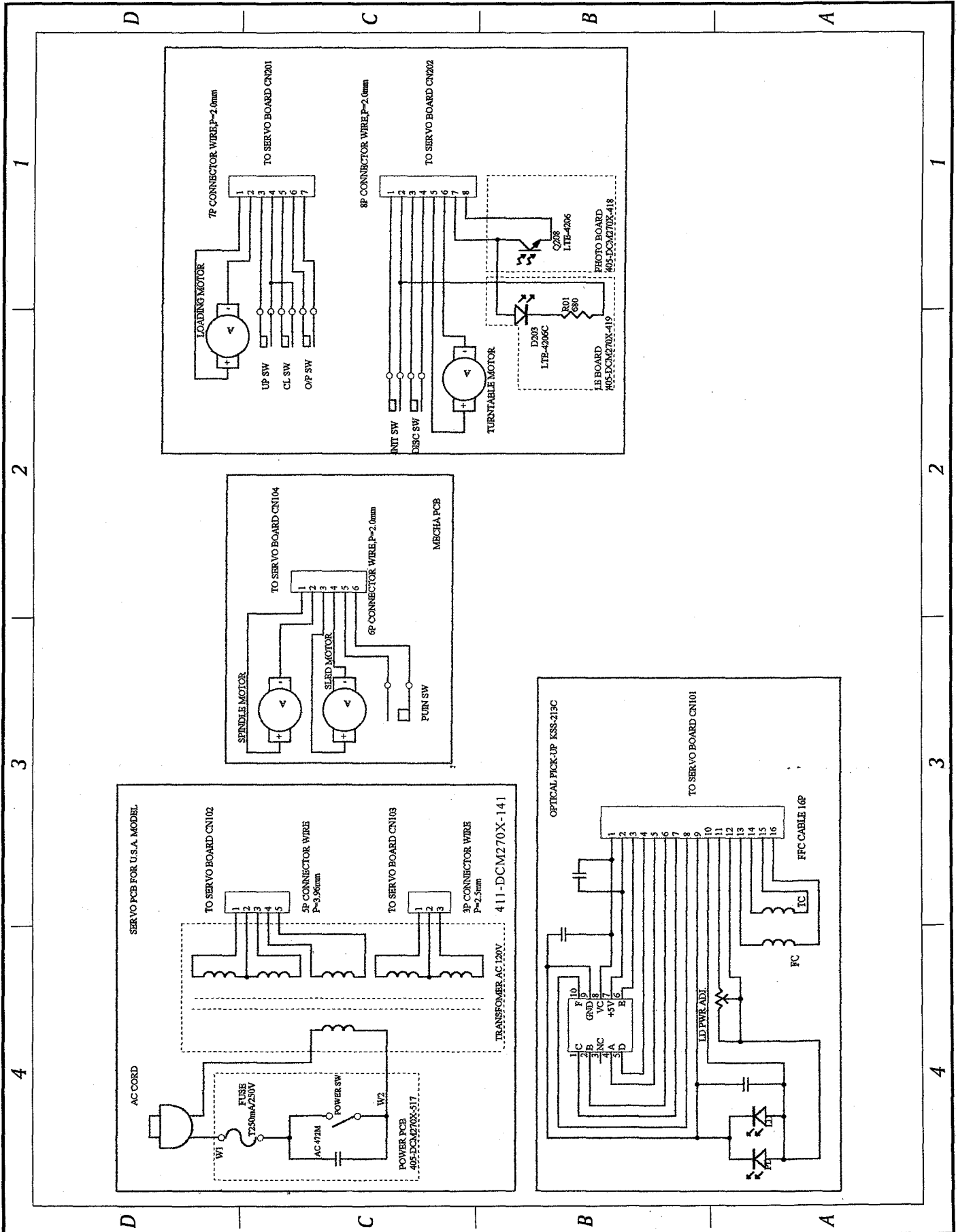
REF. NO.	PARTS NO.	PARTS NAME	ORIGINAL NO.	Q'TY	REMARKS
	958 0002 008	INFRAND EMITTING PCB ASSY	704-DCM270X-1798	1	
DO1	958 0018 403	INFRAND EMITTING DIODE	410-DCM270X-132	1	
	958 0021 005	LED HOLDER	416-DCM270X-120	1	

PHOTO TRANSISTOR PCB PARTS LIST

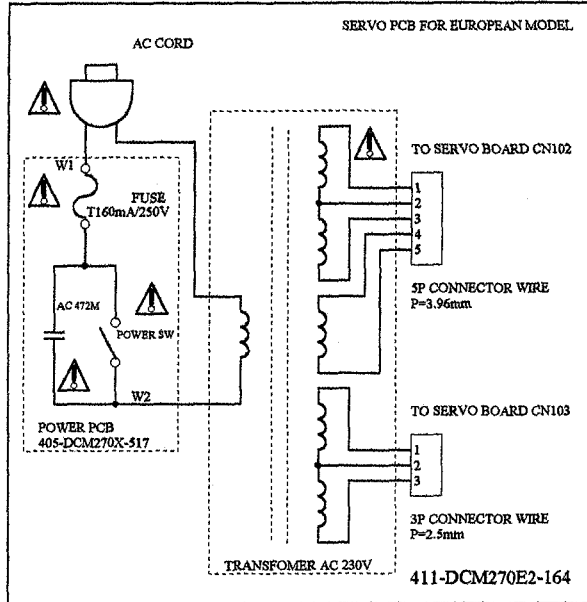
REF. NO.	PARTS NO.	PARTS NAME	ORIGINAL NO.	Q'TY	REMARKS
	958 0003 803	PHOTO TRANSISTOR PCB ASSY	704-DCM270X-1797	1	
Q01	958 0018 209	PHOTO TRANSISTOR(LTR-301)	416-DCM270X-120	1	



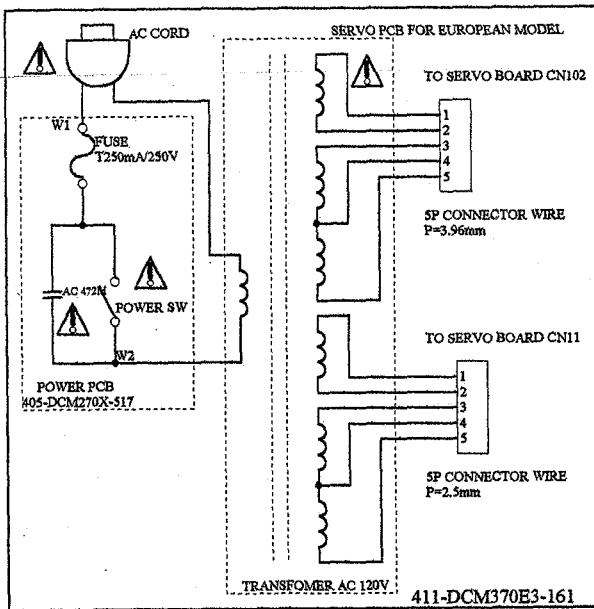
SERVO PCB (270E3/35EU)



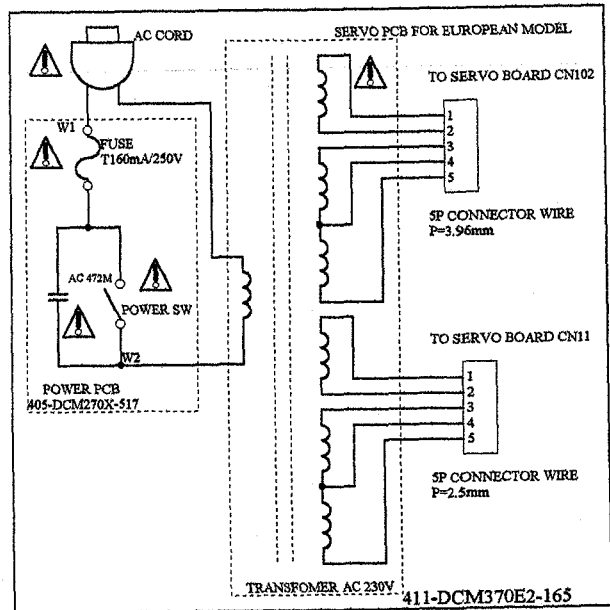
SERVO PCB (270E2/EK)



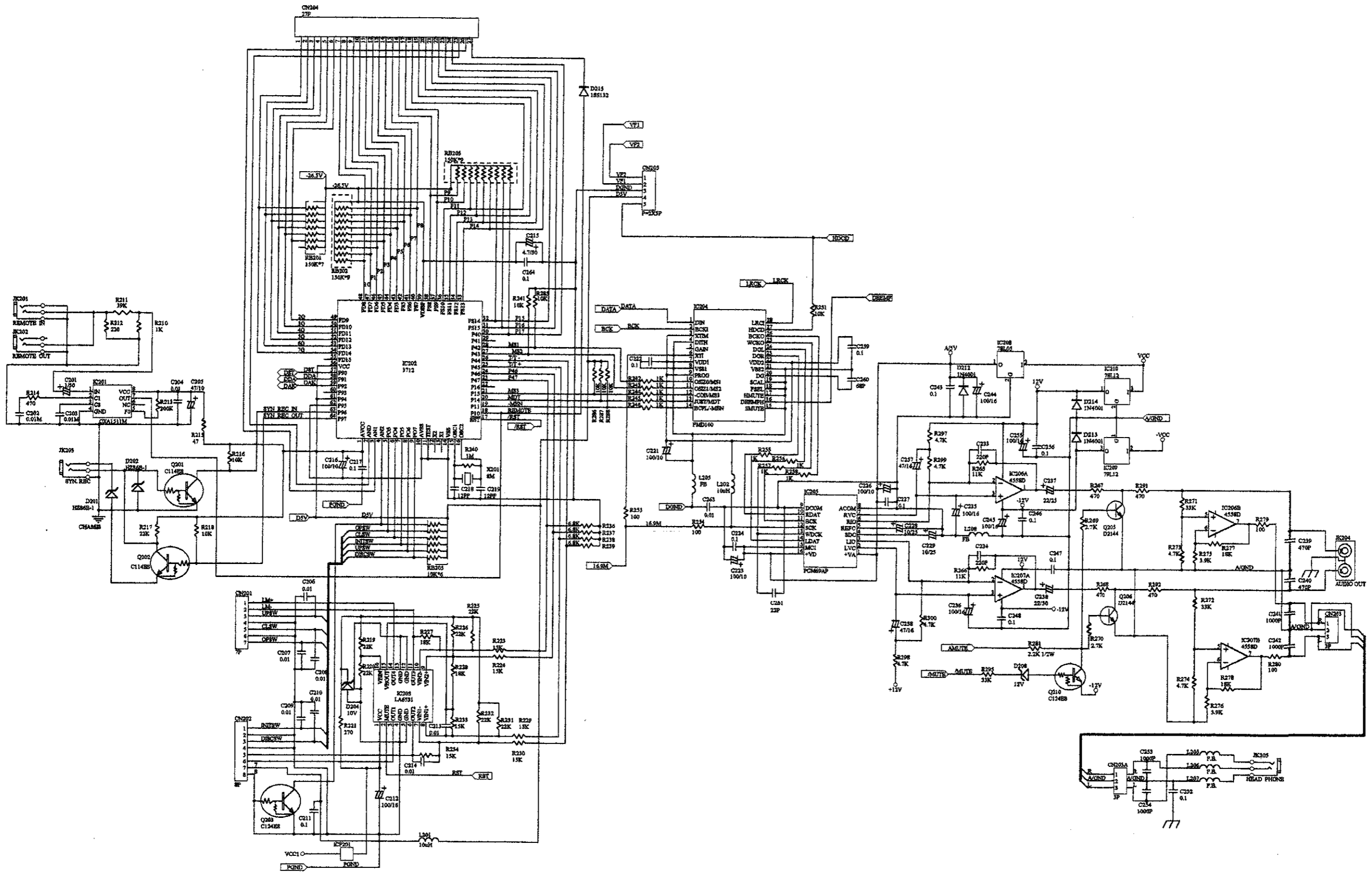
SERVO PCB (370E3/65EU)



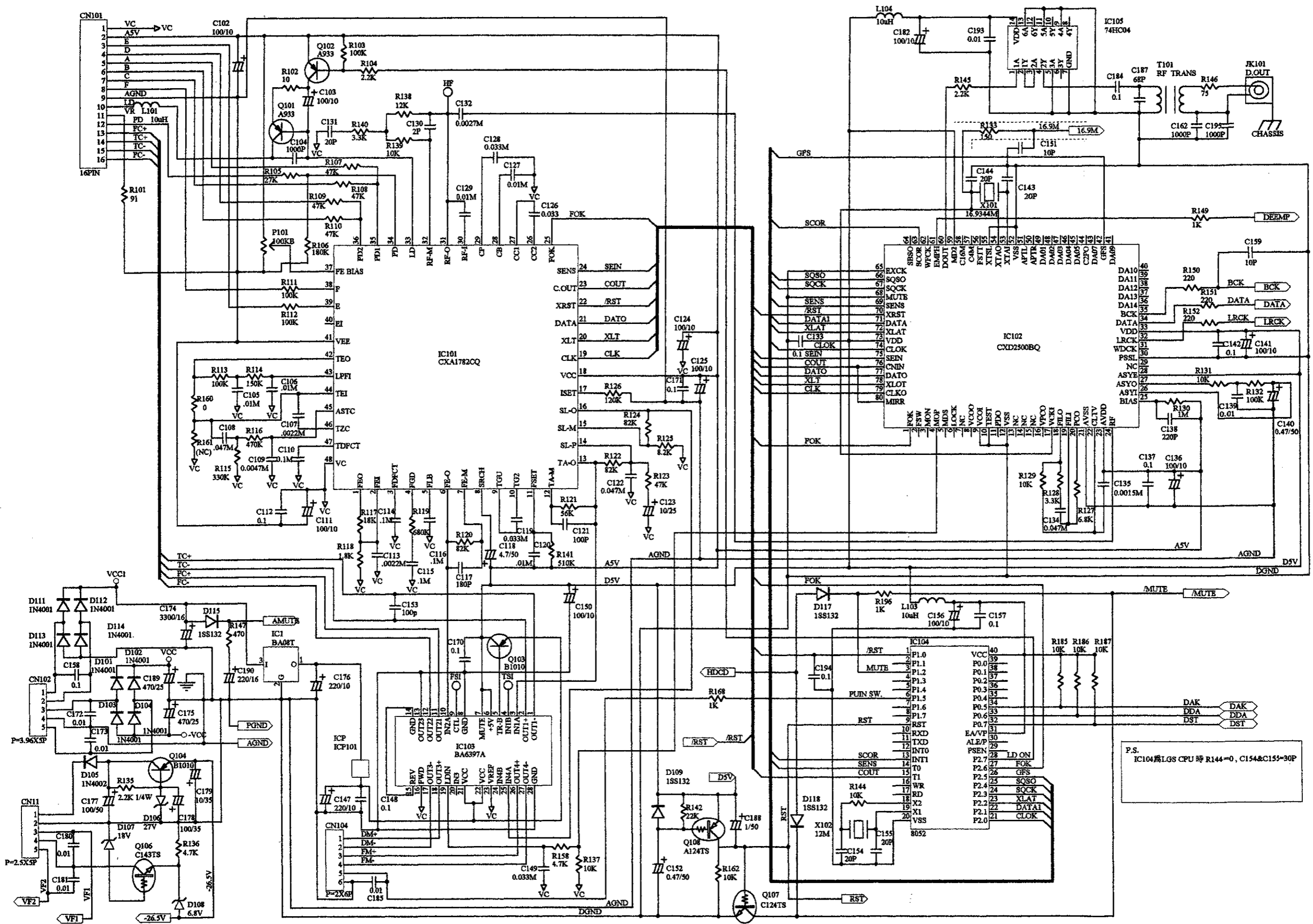
SERVO PCB (370E2)



SERVO PCB (370E3/E2/65EU)



SERVO PCB (370E3/E2/65EU)



SCHEMATIC DIAGRAM

CONTROL & PHONE SOCKET PCB (270E3/E2/EK/35EU)

