

DENON

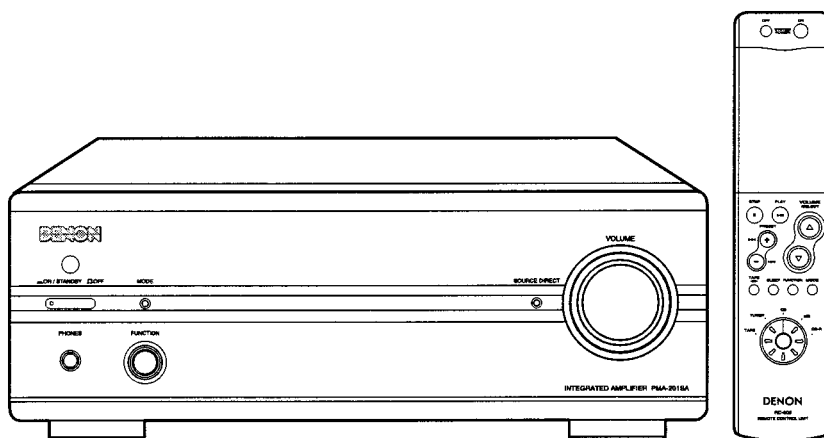
For Europe & U.K. model

Hi-Fi Integrated Stereo Amplifier

SERVICE MANUAL

MODEL PMA-201SA

INTEGRATED STEREO AMPLIFIER



— TABLE OF CONTENTS —

SAFETY PRECAUTIONS	2	PARTS LIST OF P.W.B. UNIT ASS'Y	15-18
SPECIFICATIONS	2	EXPLODED VIEW	19
DISASSEMBLY	3,4	PARTS LIST OF EXPLODED VIEW	20
BLOCK DIAGRAM	5	PACKING VIEW	21
ADJUSTMENT	6	PARTS LIST OF PACKING & ACCESSORIES	21
SEMICONDUCTORS	7~11	FORMING CUSHIONS	22
PRINTED WIRING BOARD	12,13	WIRING DIAGRAM	23
NOTE FOR PARTS LIST	14	SCHEMATIC DIAGRAMS	24,25

• Some illustrations using in this service manual are slightly different from the actual set.

NIPPON COLUMBIA CO., LTD.

14-14, AKASAKA 4-CHOME, MINATO-KU, TOKYO 107-8011 JAPAN
Telephone: 03 (3584) 8111

SAFETY PRECAUTIONS

The following check should be performed for the continued protection of the customer and service technician.

LEAKAGE CURRENT CHECK

Before returning the unit to the customer, make sure you make either (1) a leakage current check or (2) a line to chassis resistance check. If the leakage current exceeds 0.5 milliamps, or if the resistance from chassis to either side of the power cord is less than 460 kohms, the unit is defective.

SPECIFICATIONS

• POWER AMPLIFIER SECTION

Rated Output Power: 4 Ω /ohms Load (DIN, 1 kHz, T.H.D. 0.7%)	50W + 50W
Output terminals:	4 to 16 Ω /ohms

• PRE AMPLIFIER SECTION

Rated Output: (Recout Terminal)	150 mV
Input Sensitivity/Input Impedance:	
PHONO:	2.5 mV/47 k Ω /ohms
CD, TUNER, DVD/AUX, TAPE, MD, AUX-2:	100 mV/16 k Ω /ohms
RIAA Deviation:	
PHONO:	20 HZ to 20 kHz \pm 0.5 dB

• OVERALL CHARACTERISTICS

SN Ratio (IHF A Network): (input terminals short-circuited)	PHONO: 80 dB (at 5 mV input) (input terminals short-circuited)
	CD, TUNER, DVD/AUX, TAPE, MD, AUX-2: 102 dB (SOURCE DIRECT: ON)
Frequency Response:	5 Hz to 100 kHz: +0, -3 dB (SOURCE DIRECT: ON)
Tone Control Adjustable Range:	
BASS:	100 Hz \pm 8 dB
TREBLE:	10 kHz \pm 8 dB
LOUDNESS:	100 Hz +6 dB 10 kHz +4 dB

• OTHERS

Power supply:	AC 230 V, 50 Hz
Power consumption:	110 W (IEC) 1 W MAX (Standby)
Dimensions:	250 (W) \times 90 (H) \times 371 (D) mm
Net Mass:	6.0 kg

• REMOTE CONTROL UNIT (RC-906)

Remote control system:	Infrared pulse system
Power supply:	3 V DC, Two size R03 ("AAA") dry cell batteries
External dimensions:	48 (W) \times 210 (H) \times 29 (D) mm
Mass:	120 g

* Maximum dimensions include controls, jacks, and covers.

(W) = width, (H) = height, (D) = depth

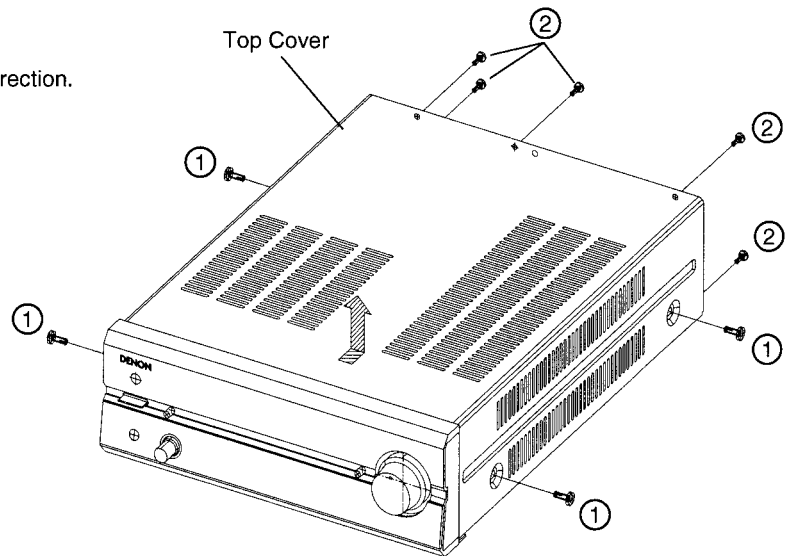
* For improvement purposes, specifications and functions are subject to change without advanced notice.

DISASSEMBLY

(Follow the procedure below in reverse order when reassembling)

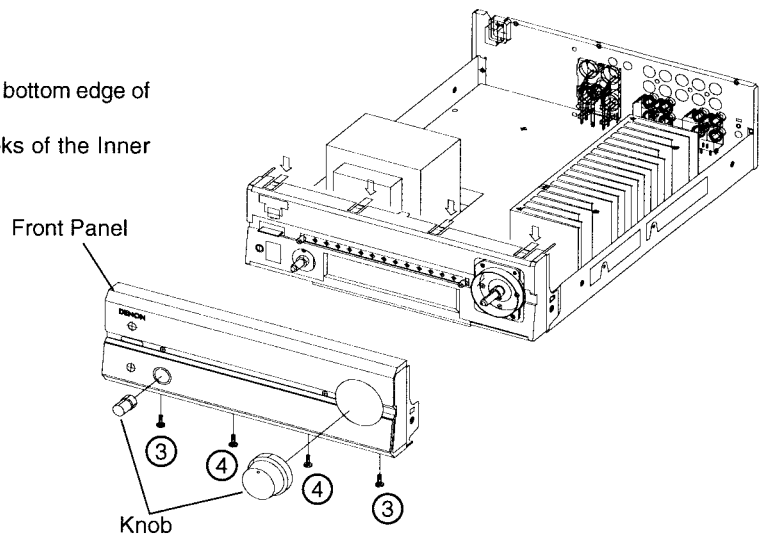
1. Top Cover

1. Remove 4 screws ① on both sides.
2. Remove 5 screws ② on the Rear Panel.
3. Detach the Cover as shown in the arrow direction.



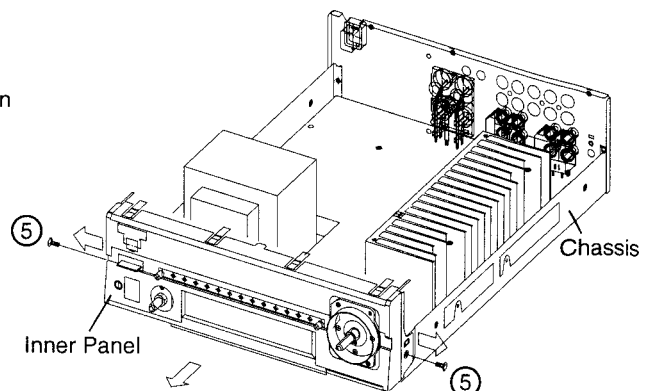
2. Front Panel

1. Pull out 2 Knobs.
2. Remove each 2 screws ③ and ④ from the bottom edge of the Front Panel.
3. To detach the Front Panel, release 4 hooks of the Inner Panel by pressing in the arrow direction.



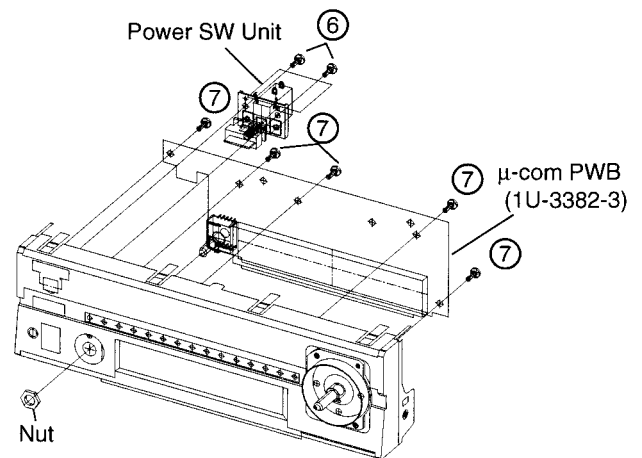
3. Inner Panel

1. Remove 2 screws ⑤ on both sides.
2. Widen both sides of the Inner Panel in the arrow direction to release from the hooks of the Chassis.



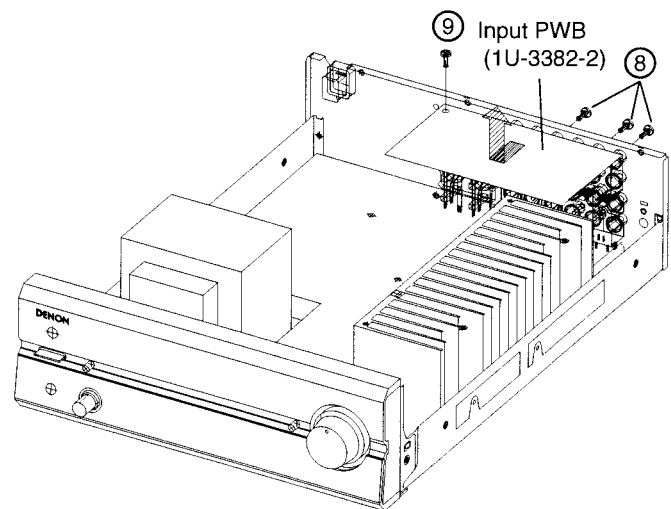
4. μ -com PWB (1U-3382-3)

1. Remove 2 screws ⑥ to detach the Power SW Unit.
2. Remove the Nut and 5 screws ⑦.



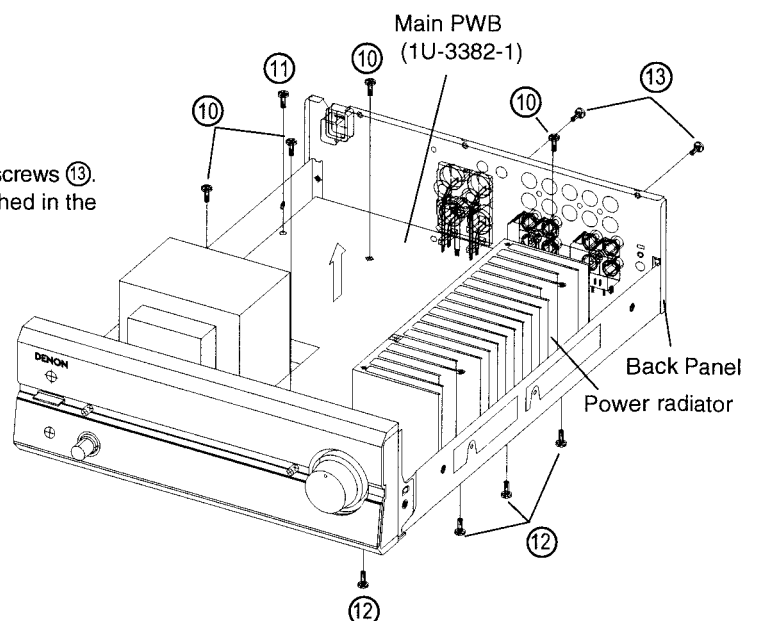
5. Input PWB (1U-3382-2)

- Remove 3 screws ⑧ and 1 screw ⑨.

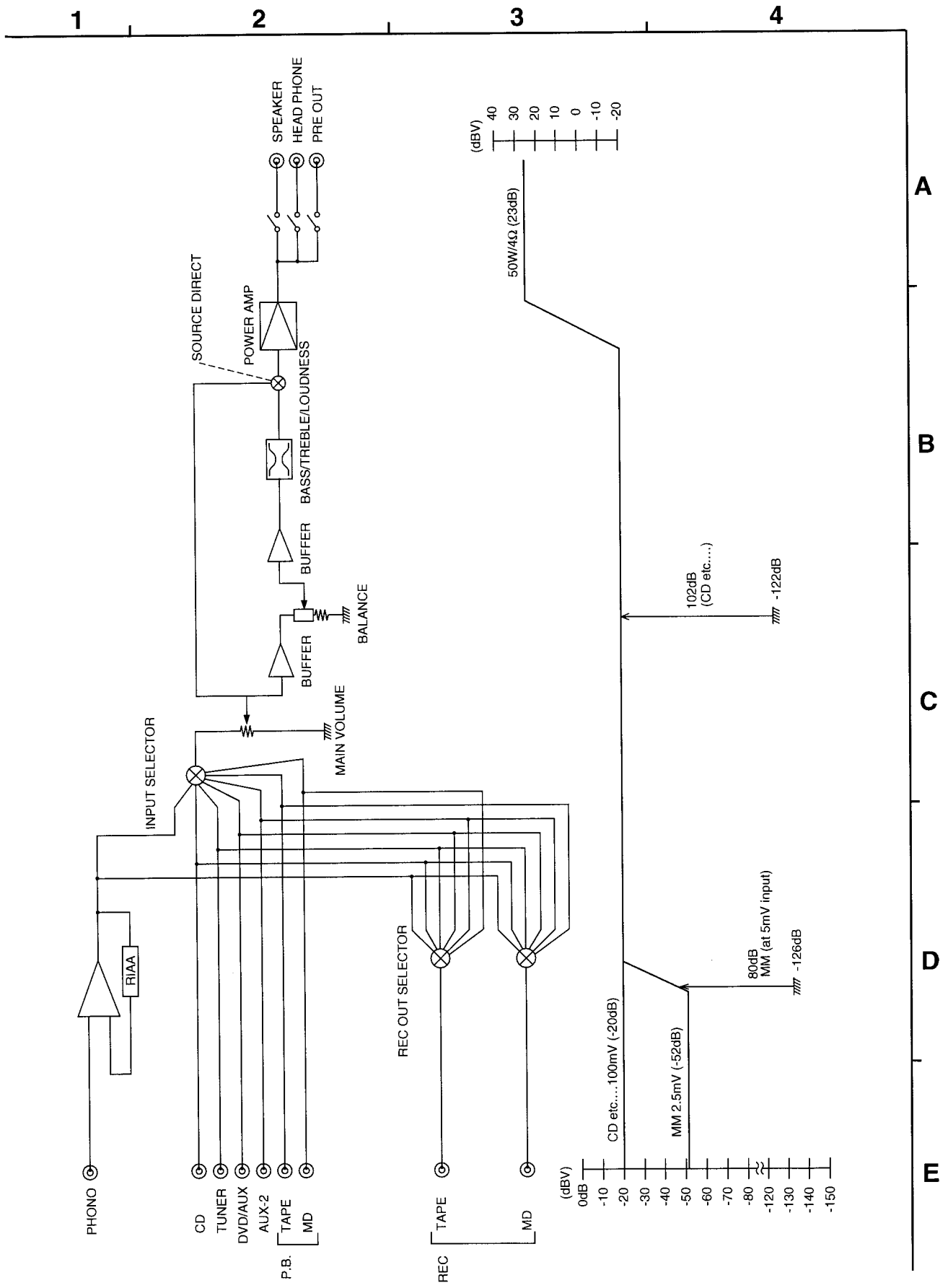


6. Main PWB (1U-3382-1)

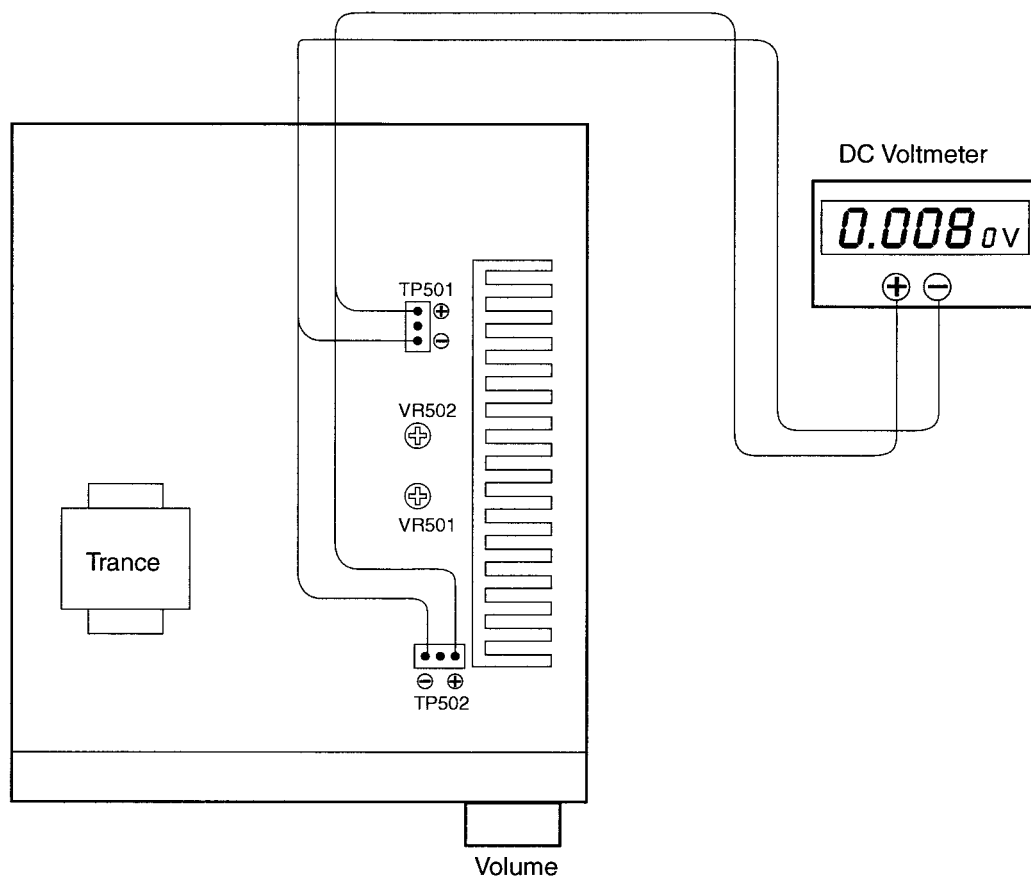
1. Remove 4 screws ⑩, 1 screw ⑪, 4 screws ⑫, 2 screws ⑬.
2. The Main PWB and Power radiator can be detached in the arrow direction with the Back Panel.



BLOCK AND LEVEL DIAGRAM



ADJUSTMENT



IDLING CURRENT

● Setup

1. Place the unit at an ordinary position avoiding direct air flow from an air-conditioner or fan. Do the adjustment at a temperature between 15 °C (59 °F) and 30 °C (86 °F).
2. Set control as follows.

POWER switch	→	OFF (■)
VOLUME control	→	fully counterclockwise (⤵ min.)
SPEAKER terminals	→	open: do not connect the speakers, dummy load etc.

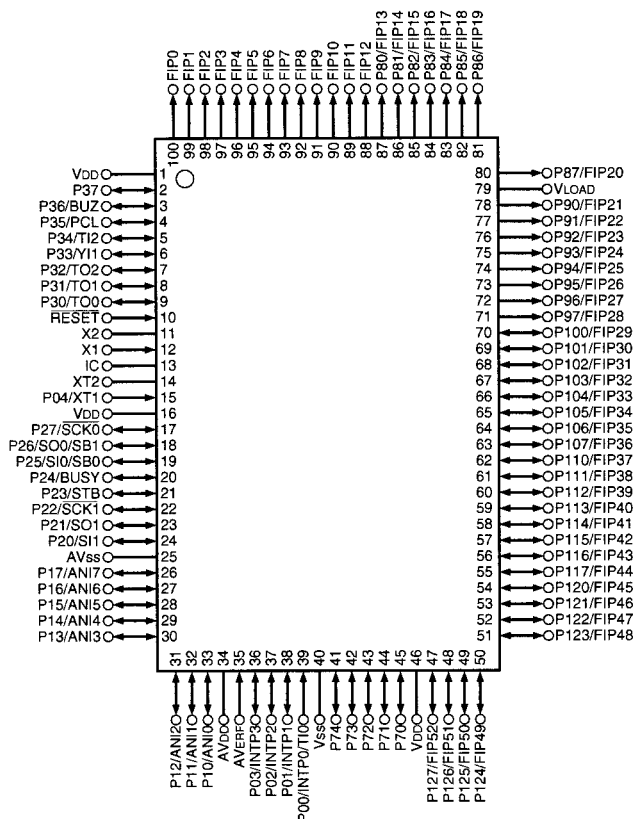
● Adjustment

1. Remove top cover. And then connect DC voltmeter to the test points TP501 and TP502 of MAIN P.W.B.
2. Connect power cord to AC230V (218 ~ 242V) wall outlet, and turn POWER switch "ON" (■).
3. Right after power on, adjust VR501 and VR502 so that the DC voltmeter reads $10 \pm 1\text{mV}$.
4. Then after 2 minutes warmup adjust VR501 and VR502 so that the DC voltmeter reads $10 \pm 1\text{mV}$.
5. And after 10 minutes warmup adjust VR501 and VR502 so that the DC voltmeter reads $10 \pm 0.5\text{mV}$.

SEMICONDUCTORS

● IC's

μPD780208 (IC901)

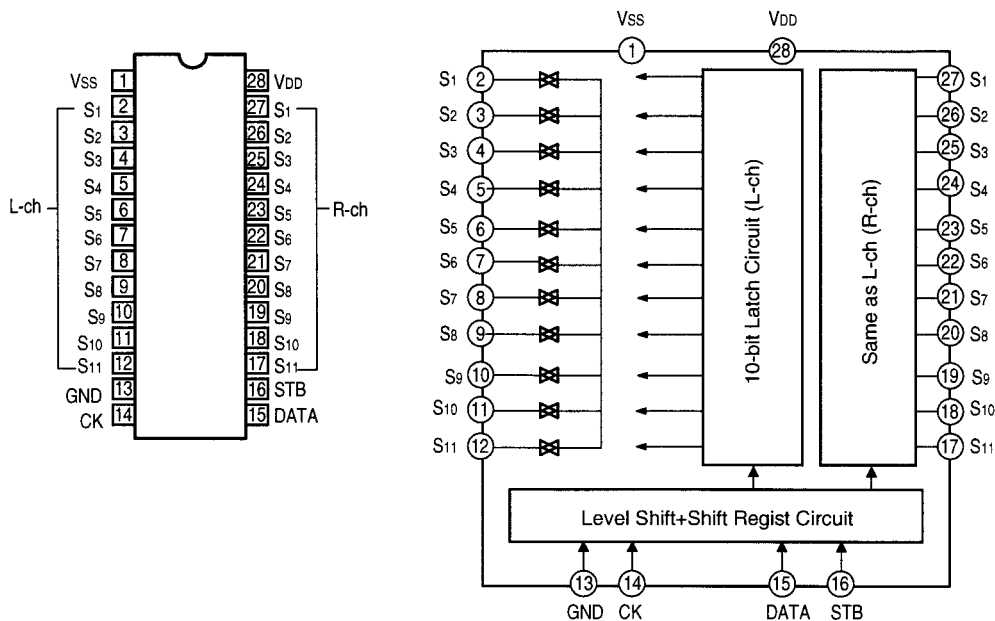


μPD780208 Terminal Function

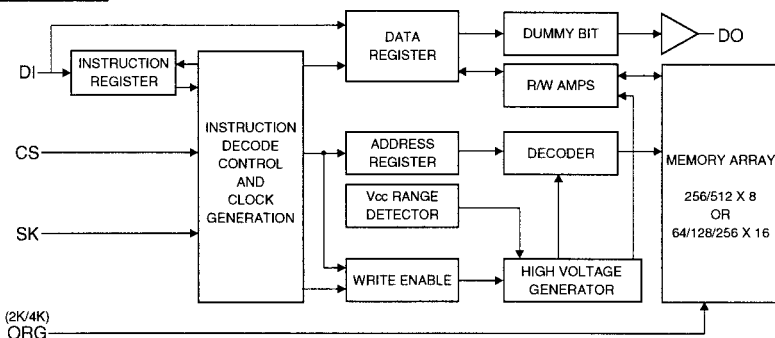
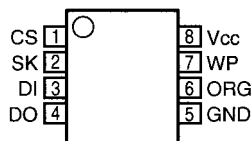
Pin No.	Pin Name	Symbol	I/O	Det	Res	Ext	Act	INIT	MO	Function
1	VDD	+5V	—	—	—	—	—	—	—	Positive power, Output relay on/off, H: Output on
2	P37	RL-HP	O	Lv	Z	—	H	L	—	Headphone
3	P36/BUZ	LED-G	O	—	Z	—	H	L	—	Power on LED drive output
4	P35/PCL	LED-R	O	—	Z	—	H	L	—	Standby LED drive output
5	P34/TI2	RL-CD	O	—	Z	Pd	H	L	—	CD input select relay output
6	P33/TI1	RL-DVD	O	—	Z	Pd	H	L	—	DVD input select relay output
7	P32/TO2	VOL.UP	O	—	Z	Pd	H	L	—	Motor volume up output
8	P31/TO1	VOL.DOWN	O	—	Z	Pd	H	L	—	Motor volume down output
9	P30/TO0	RL-SD	O	—	Z	Pd	H	L	—	Source direct relay output
10	RESET	RESET	I	—	—	—	L	—	—	m-com reset input
11	X2	X2	—	—	—	—	—	—	—	X'tal connection for main clock oscillation
12	X1	X1	I	—	—	—	—	—	—	X'tal connection for main clock oscillation 4.19 MHz
13	IC	IC	—	—	—	—	—	—	—	Internal connection, Connect to Vss directly
14	XT2	XT2	—	—	—	—	—	—	—	X'tal connection for sub clock oscillation, Not used: NC
15	P04/XT1	P04/XT1	I	—	Z	—	—	—	—	X'tal connection for sub clock oscillation, Not used: To Vss or VDD
16	VDD	VDD	—	—	—	—	—	—	—	Positive power
17	P27/SCK0	DB_CLK	O	—	Z	—	—	H	—	DENON bus clock output
18	P26/SO0/SB1	DB_TXD	O	—	Z	—	—	H	—	DENON bus data output
19	P25/SO0/SB0	DB_RXD	I	Ed	Z	—	—	—	—	DENON bus data input
20	P24/BUSY	RDSRST	O	—	Z	—	L	H	—	RDS IC reset output
21	P23/STB	DATA_CE	O	—	Z	—	H	L	—	Data bus (PLL, VOL, RDS IC comm.) chip enable output
22	P22/SCK1	DATA_CLK	O	—	Z	—	—	H	—	Data bus (PLL, VOL, RDS IC comm.) clock output
23	P21/SO1	DATA_TXD	O	—	Z	—	—	H	—	Data bus (PLL, VOL, RDS IC comm.) data output
24	P20/SI1	DATA_RXD	I	Ed	Z	—	—	—	—	Data bus (PLL, VOL, RDS IC comm.) data input
25	AVSS	AVSS	—	—	—	—	—	—	—	GND potential of A/D converter
26	P17/ANI7	RL-PRE	O	—	Z	—	H	L	—	Pre-out mute output, L: Mute
27	P16/ANI6	F-STB	O	—	Z	—	H	L	—	Function select IC strobe output
28	P15/ANI5	V-STB	O	—	Z	—	H	L	—	Volume IC strobe output
29	P14/ANI4	T-STB	O	—	Z	—	H	L	—	Tone control IC strobe output
30	P13/ANI3	CE-R	O	—	Z	—	H	L	—	EEPROM chip enable output
31	P12/ANI2	NC	O	—	Z	—	—	L	—	Not used

Pin No.	Pin Name	Function Name	I/O	Det	Res	Ext	Act	INIT	MO	Function
32	P11/ANI1	KEY2	I	A	Z	Pu	—	—	—	Key input 2
33	P10/ANI0	KEY1	I	A	Z	Pu	—	—	—	Key input 1
34	AVDD	AVDD	—	—	—	—	—	—	—	Analog power for A/D converter
35	AVREF	AVREF	I	—	—	—	—	—	—	Ref. V input for A/D converter
36	P03/INTP3	PROTECT	I	—	Z	—	L	—	—	Amp protect input
37	P02/INTP2	DBRXD	I	Ed	Z	—	—	—	—	DENON bus data input
38	P01/INTP1	50/60	I	Ed	Z	Pu	—	—	—	50/60 Hz AC input
39	P00/INTP0	REMOCON	I	—	Z	—	H	—	—	Remote control input
40	Vss	VSS	—	—	—	—	—	—	—	GND
41	P74	RL-SPA	O	—	Z	Pd	H	L	—	Speaker A relay output, H: Output
42	P73	RL-SPB	O	—	Z	Pd	H	L	—	Speaker B relay output, H: Output
43	P72	CLOCK	O	—	Z	—	H	L	—	Clock output for function, tone, volume IC
44	P71	DATA	O	—	Z	—	—	L	—	Data output for function, tone, volume IC
45	P70	TMUTE	O	—	Z	Pu	L	L	N	Tuner mute output, L: Mute on
46	VDD	VDD	—	—	—	—	—	—	—	Positive power
47	P127/FIP52	ENC-A	I	—	Z	—	—	—	—	Rotary encoder input A for volume
48	P126/FIP51	ENC-B	I	—	Z	—	—	—	—	Rotary encoder input B for volume
49	P125/FIP50	SEL-A	I	—	Z	—	—	—	—	Rotary encoder input A for select
50	P124/FIP49	SEL-B	I	—	Z	—	—	—	—	Rotary encoder input B for select
51	P123/FIP48	NC	O	—	Z	—	—	L	—	Not used
52	P122/FIP47	AM STEREO	I/O	Lv	Z	—	L	—	N	AM stereo demodulation detect input, L: Stereo
53	P121/FIP46	SD	I	Lv	Z	Pu	L	—	N	FM/AM tune signal input, L: Tuned
54	P120/FIP45	ST IND	I	Lv	Z	Pu	L	—	N	FM stereo demodulation detect input, L: Stereo
55	P117/FIP44	USA	I	Lv	Z	—	—	—	N	Initial setting input
56	P116/FIP43	EUR	I	Lv	Z	—	—	—	N	Initial setting input
57	P115/FIP42	FREQ	I	Lv	Z	—	—	—	N	Initial setting input
58	P114/FIP41	RDS	I	Lv	Z	—	—	—	N	Initial setting input
59	P113/FIP40	NC	O	—	Z	—	—	L	—	Not used
60	P112/FIP39	NC	O	—	Z	—	—	L	—	Not used
61	P111/FIP38	NC	O	—	Z	—	—	L	—	Not used
62	P110/FIP37	NC	O	—	Z	—	—	L	—	Not used
63	P107/FIP36	NC	O	—	Z	—	—	L	—	Not used
64	P106/FIP35	NC	O	—	Z	—	—	L	—	Not used
65	P105/FIP34	NC	O	—	Z	—	—	L	—	Not used
66	P104/FIP33	NC	O	—	Z	—	—	L	—	Not used
67	P103/FIP32	V.MUTE	O	—	Z	—	H	L	—	Mute output at volume 00, H: Mute
68	P102/FIP31	POWER	O	—	Z	Pd	L	L	N	Amp circuit power on/off output, L: On
69	P101/FIP30	AUTO/MONO	O	—	Z	Pd	—	—	N	FM auto/mono switching, H: Mono
70	P100/FIP29	SP-OFF	I	—	Z	Pd	L	L	N	Headphone SW input, H: Speaker, pre-out off
71	P97/FIP28	NC	O	—	Z	—	—	L	—	Not used
72	P96/FIP27	NC	O	—	Z	—	—	L	—	Not used
73	P95/FIP26	SEG1	O	—	Z	Pd	—	—	N	Segment output 2
74	P94/FIP25	SEG2	O	—	Z	Pd	—	—	N	Segment output 3
75	P93/FIP24	SEG3	O	—	Z	Pd	—	—	N	Segment output 4
76	P92/FIP23	SEG4	O	—	Z	Pd	—	—	N	Segment output 5
77	P91/FIP22	SEG5	O	—	Z	Pd	—	—	N	Segment output 6
78	P90/FIP21	SEG6	O	—	Z	Pd	—	—	N	Segment output 7
79	VLOAD	VLOAD	—	—	—	—	—	—	—	FL driver pull-down R connection (-30V power)
80	P87/FIP20	SEG7	O	—	Z	Pd	—	—	N	Segment output 8
81	P86/FIP19	SEG8	O	—	Z	Pd	—	—	N	Segment output 9
82	P85/FIP18	SEG9	O	—	Z	Pd	—	—	N	Segment output 10
83	P84/FIP17	SEG10	O	—	Z	Pd	—	—	N	Segment output 11
84	P83/FIP16	SEG11	O	—	Z	Pd	—	—	N	Segment output 12
85	P82/FIP15	SEG12	O	—	Z	Pd	—	—	N	Segment output 13
86	P81/FIP14	SEG13	O	—	Z	Pd	—	—	N	Segment output 14
87	P80/FIP13	SEG14	O	—	Z	Pd	—	—	N	Segment output 15
88	FIP12	SEG15	O	—	Z	Pd	—	—	—	Segment output 16
89	FIP11	SEG16	O	—	Z	Pd	—	—	—	Digit output 12
90	FIP10	DIG11	O	—	Z	Pd	—	—	—	Digit output 11
91	FIP9	DIG10	O	—	Z	Pd	—	—	—	Digit output 10
92	FIP8	DIG9	O	—	Z	Pd	—	—	—	Digit output 9
93	FIP7	DIG8	O	—	Z	Pd	—	—	—	Digit output 8
94	FIP6	DIG7	O	—	Z	Pd	—	—	—	Digit output 7
95	FIP5	DIG6	O	—	Z	Pd	—	—	—	Digit output 6
96	FIP4	DIG5	O	—	Z	Pd	—	—	—	Digit output 5
97	FIP3	DIG4	O	—	Z	Pd	—	—	—	Digit output 4
98	FIP2	DIG3	O	—	Z	Pd	—	—	—	Digit output 3
99	FIP1	DIG2	O	—	Z	Pd	—	—	—	Digit output 2
100	FIP0	DIG1	O	—	Z	Pd	—	—	—	Digit output 1

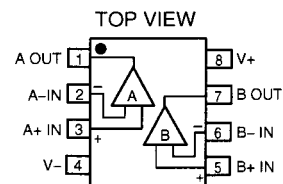
TC9273N-004 (IC201)
TC9273N-013 (IC202)



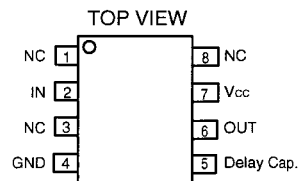
93LC66 (IC905)



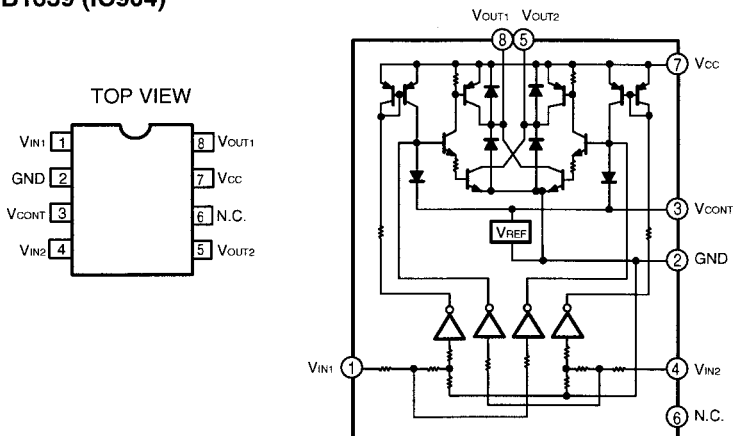
NJM2068DDC (IC401)



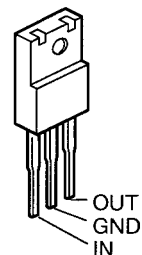
M51957BFP (IC903)



LB1639 (IC904)

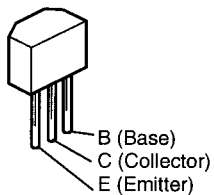


BA05T (IC907)

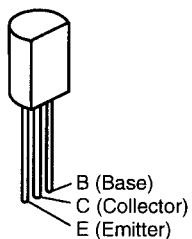


● TRANSISTORS

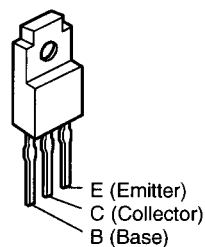
2SA933S (S)
2SC1740S (S)



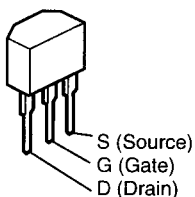
2SA988 (E/F)
2SB562 (C)
2SC1841 (E/F)



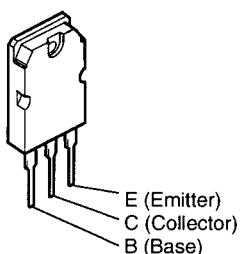
2SA1837 (Y)
2SC4793 (Y)



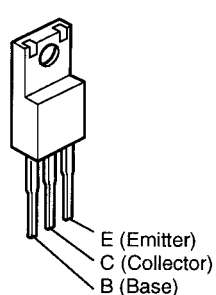
2SK184C (GR)/(BL)



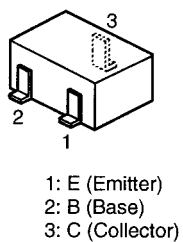
2SB1383 (P/Y)
2SD2083 (P/Y)



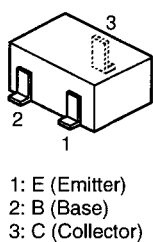
2SC4495 (O/Y)



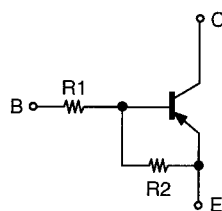
2SC2412K (S)
2SA1037K (S/R)



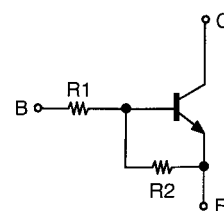
DTA114EK
DTA143TK
DTC114EK
DTC143TK
DTC114YK
DTC323TK



DTA114EK
DTA143TK



DTC114EK
DTC114YK
DTC143TK
DTC323TK

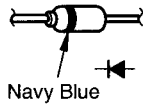


	R1	R2
DTA114EK	10 KΩ	10 KΩ
DTA143TK	4.7 KΩ	—

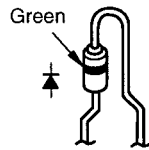
	R1	R2
DTC114EK	10 KΩ	10 KΩ
DTC114YK	10 KΩ	47 KΩ
DTC143TK	4.7 KΩ	—
DTC323TK	2.2 KΩ	—

● DIODES (including LED)

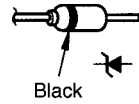
1N4148
1SS270A



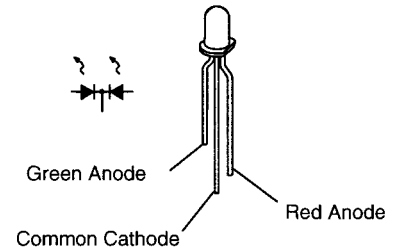
1SR35-400A



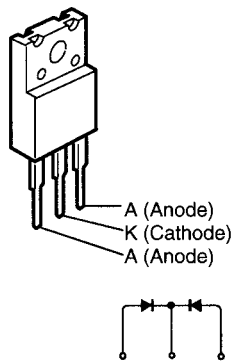
MTZJ2.7A
MTZJ5.6A
MTZJ6.2A
MTZJ7.5C
MTZJ18A
MTZJ33A



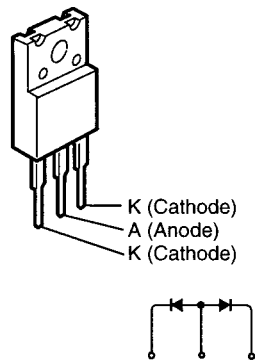
SLR-9335DS-91 (LED)



FMG22S

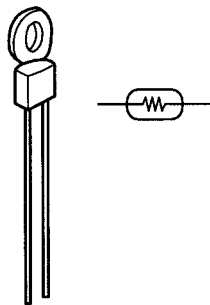


FMG22R



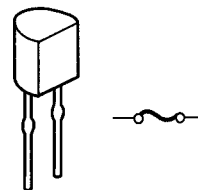
● POSISTOR

PTH9M04BC222TS2F333 (TH701)



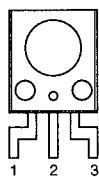
● IC PROTECTOR

ICP-N15 (IC102, 103, 906)

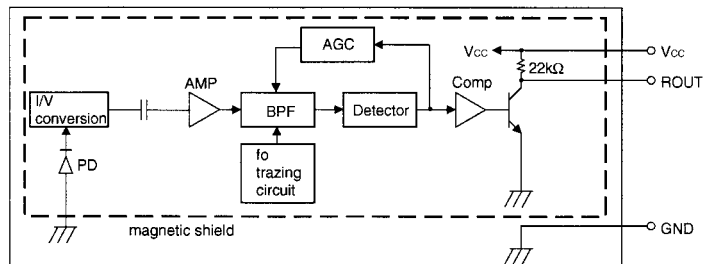


● IR SENSOR

RPM6938-V4 (IC902)

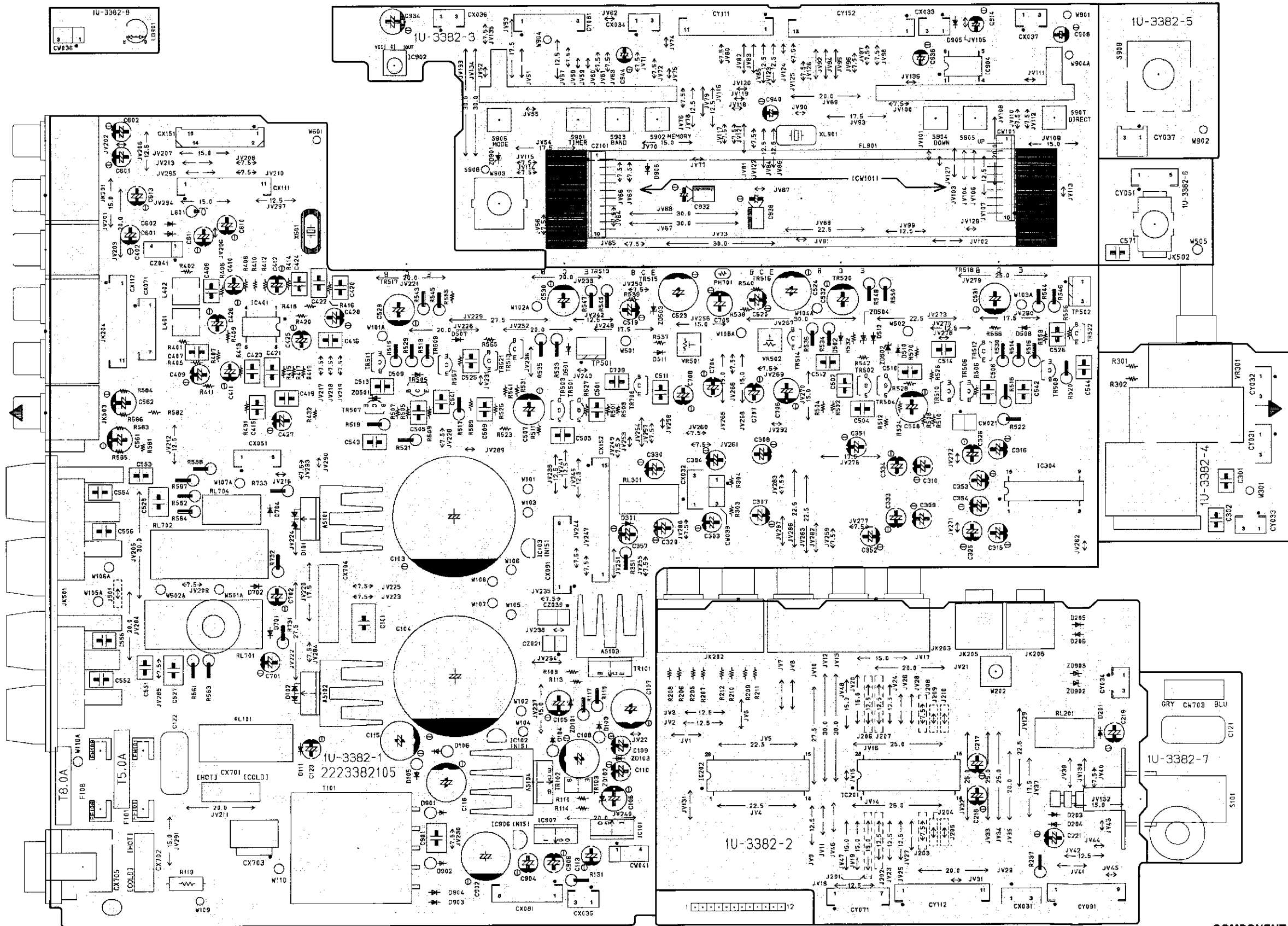


1:ROUT
2:GND
3:Vcc



PRINTED WIRING BOARD

1U-3382 MAIN P.W.B. UNIT Ass'y



COMPONENT SIDE

A

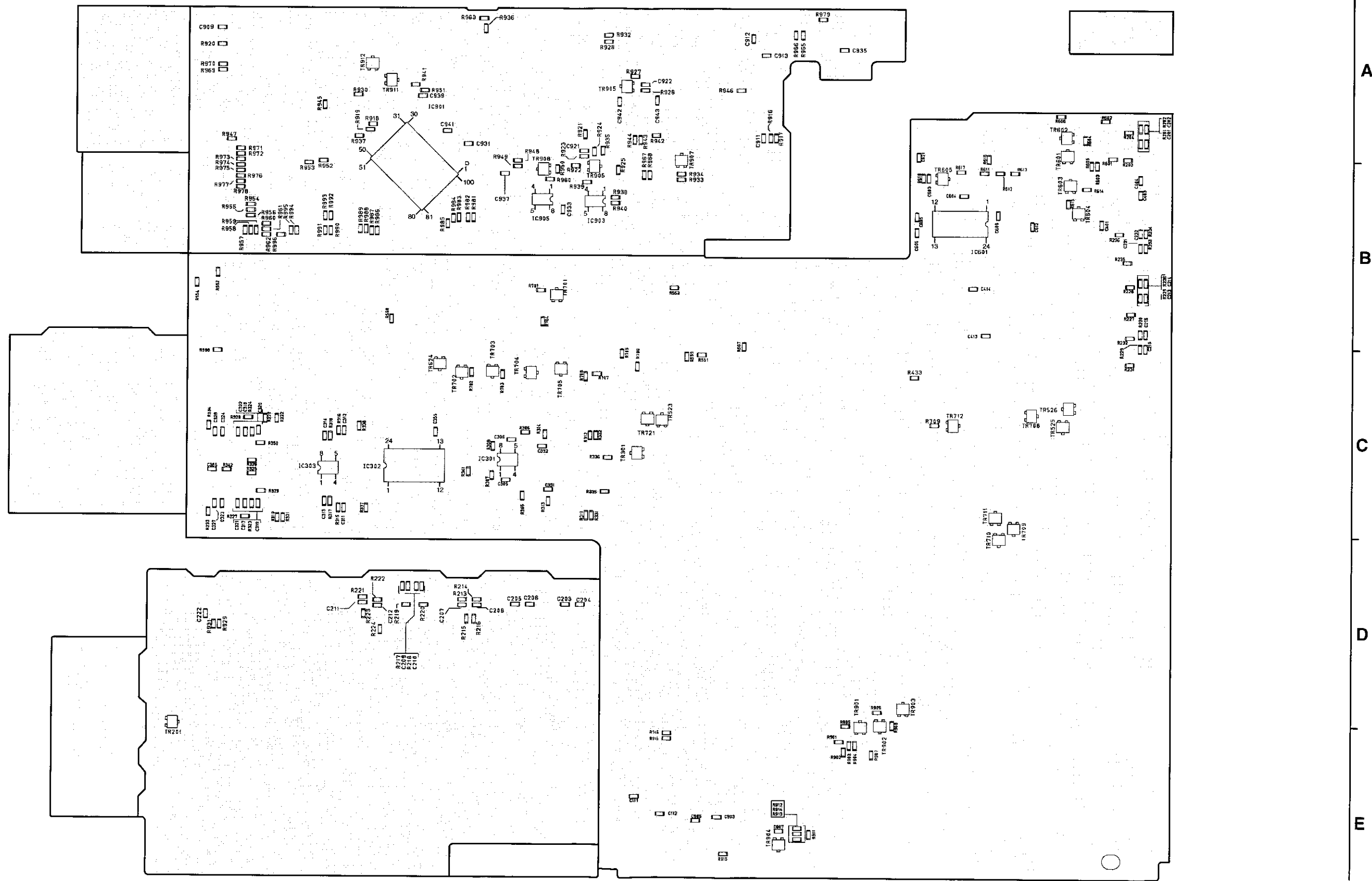
B

C

D

E

1U-3382 MAIN P.W.B. UNIT Ass'y



FOIL SIDE

NOTE FOR PARTS LIST

- Part indicated with the mark "◎" are not always in stock and possibly to take a long period of time for supplying, or in some case supplying of part may be refused.
 - When ordering of part, clearly indicate "1" and "1" (i) to avoid mis-supplying.
 - Ordering part without stating its part number can not be supplied.
 - Part indicated with the mark "★" is not illustrated in the exploded view.
 - Not including Carbon Film ±5%, 1/4W Type in the P.W.Board parts list. (Refer to the Schematic Diagram for those parts.)
- WARNING:**
- Parts marked with this symbol have critical characteristics.
Use ONLY replacement parts recommended by the manufacturer.

● Resistors

Ex.: **RN 14K 2E 182 G FR**

Type	Shape and performance	Power	Resistance	Allowable error	Others
RD : Carbon RC : Composition RS : Metal oxide film RW : Winding RN : Metal film RK : Metal mixture	2B : 1/8W 2E : 1/4W 2H : 1/2W 3A : 1W 3D : 2W 3F : 3W 3H : 5W	F : ±1% G : ±2% J : ±5% K : ±10% M : ±20%	P : Pulse-resistant type NL : Low noise type NB : Non-burning type FR : Fuse-resistor F : Lead wire forming		

*** Resistance**

$\overset{1}{\text{---}} \overset{R}{\text{---}} \overset{2}{\text{---}} \Rightarrow 1800 \text{ ohm} = 1.8 \text{ kohm}$
 Indicates number of zeros after effective number.
 2-digit effective number.

• Units: ohm

$\overset{1}{\text{---}} \overset{R}{\text{---}} \overset{2}{\text{---}} \Rightarrow 1.2 \text{ ohm}$
 1-digit effective number.
 2-digit effective number, decimal point indicated by R.

• Units: ohm

● Capacitors

Ex.: **CE 04W 1H 2R2 M BP**

Type	Shape and performance	Dielectric strength	Capacity	Allowable error	Others
CE : Aluminum foil electrolytic CA : Aluminum solid electrolytic CS : Tantalum electrolytic CQ : Film CK : Ceramic CC : Ceramic CP : Oil CM : Mica CF : Metallized CH : Metallized	0J : 6.3V 1A : 10V 1C : 16V 1E : 25V 1V : 35V 1H : 50V 2A : 100V 2B : 125V 2C : 160V 2D : 200V 2E : 250V 2H : 500V 2J : 630V	F : ±1% G : ±2% J : ±5% K : ±10% M : ±20% Z : +80% -20% P : +100% -0%C : ±0.25pF D : ±0.5pF = : Others	HS : High stability type BP : Non-polar type HR : Ripple-resistant type DL : For charge and discharge HF : For assuring high frequency U : UL part C : CSA part W : UL-CSA type F : Lead wire forming		

*** Capacity (electrolyte only)**

$\overset{2}{\text{---}} \overset{2}{\text{---}} \overset{2}{\text{---}} \Rightarrow 2200\mu\text{F}$
 Indicates number of zeros after effective number.
 2-digit effective number.

• Units: μF .

$\overset{2}{\text{---}} \overset{R}{\text{---}} \overset{2}{\text{---}} \Rightarrow 2.2\mu\text{F}$
 1-digit effective number.
 2-digit effective number, decimal point indicated by R.

• Units: μF .

*** Capacity (except electrolyte)**

$\overset{2}{\text{---}} \overset{2}{\text{---}} \overset{2}{\text{---}} \Rightarrow 2200\text{pF} = 0.0022\mu\text{F}$
 (More than 2) — Indicates number of zeros after effective number.
 2-digit effective number.

• Units: pF.

$\overset{2}{\text{---}} \overset{2}{\text{---}} \overset{1}{\text{---}} \Rightarrow 220\text{pF}$
 (0 or 1) — Indicates number of zeros after effective number.
 2-digit effective number.

• Units: pF.

• When the dielectric strength is indicated in AC, "AC" is included after the dielectric strength value.

PARTS LIST OF P.W.B. UNIT ASS'Y

MAIN P.W.B. ASS'Y

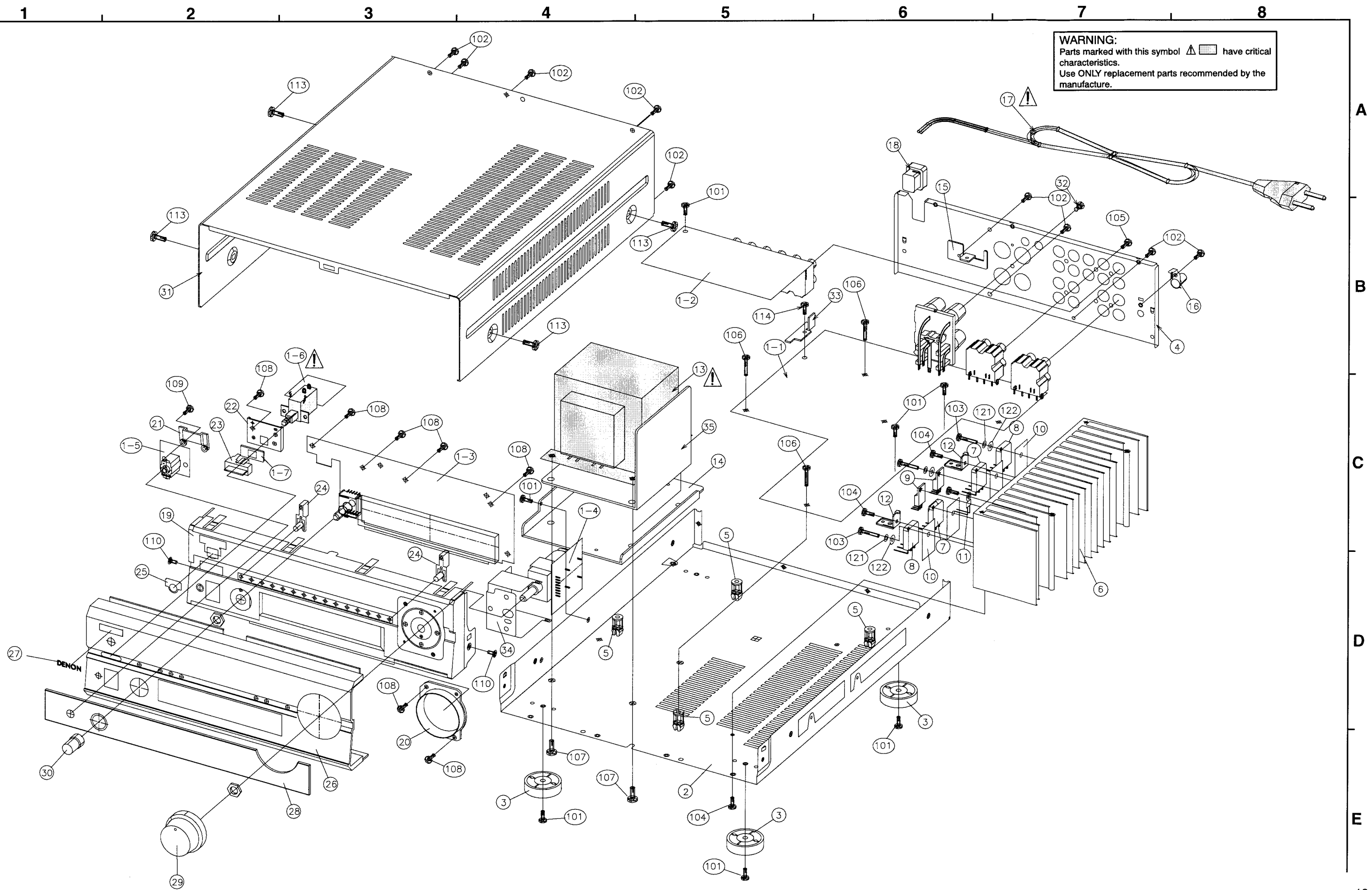
Ref. No.	Part No.	Part Name	Remarks	Ref. No.	Part No.	Part Name	Remarks
SEMICONDUCTORS GROUP							
IC102,103	268 0073 905	IC ICP-N15T		D501,502	276 0432 903	Diode 1SS270A TE (TAPE)	
IC201	262 2033 000	IC TC9273N-004		D507-512	276 0432 903	Diode 1SS270A TE (TAPE)	
IC301	263 0896 909	IC NJM2068MD-T1		D702	276 0432 903	Diode 1SS270A TE (TAPE)	
IC302	262 2540 904	IC TC9459F-EL		D704	276 0432 903	Diode 1SS270A TE (TAPE)	
IC303	263 0896 909	IC NJM2068MD-T1		D901,902	276 0704 903	Diode 1SR35-400A(T93X)	
IC304	262 2616 003	IC TC9184AP		D903,904	276 0375 905	Diode 1N4148T77 (TAPE)	
IC401	263 0609 002	IC NJM2068DDC		D905,906	276 0432 903	Diode 1SS270A TE (TAPE)	
IC901	262 2985 006	IC UPD780208		ZD101,102	276 0645 907	Zener diode MTZJ18A T77	
IC902	499 0301 006	IC RPM6938-V4		ZD103	276 0645 981	Zener diode MTZJ39A T77	
IC903	263 0454 901	IC M51957BFF(TP1)		ZD501-504	276 0643 925	Zener diode MTZJ2.7A T77	
IC904	263 0476 002	IC LB1639		ZD901	276 0643 996	Zener diode MTZJ5.6A T77	
IC905	262 2986 005	IC 93LC66		ZD902,903	276 0637 902	Zener diode MTZJ6.2AT77	
IC906	268 0073 905	IC ICP-N15T		LD901	393 9594 008	LED SLR-9335DS-91	
IC907	263 1092 003	IC BA05T		RESISTORS GROUP			
TR101	273 0423 007	Transistor 2SC4793-Y		R115	247 2010 969	Carbon chip 22 kohm 1/16W	RM73B--223JT
TR102	271 0272 003	Transistor 2SA1837-Y		R116	247 2007 943	Carbon chip 1 kohm 1/16W	RM73B--102JT
TR103	272 0107 919	Transistor 2SB1328 (P/Q)T105		R117,118	244 2051 958	Metal oxide 220 ohm 1W(NB)	RS14B3A221JNBST(S)
TR201	269 0144 905	Transistor DTC114YK-T146		R201,202	247 2013 940	Carbon chip 330 kohm 1/16W	RM73B--334JT
TR301	269 0144 905	Transistor DTC114YK-T146		R203,204	247 2005 987	Carbon chip 220 ohm 1/16W	RM73B--221JT
TR501-504	275 0055 015	FET 2SK184C (GR)/(BL)		R213,214	247 2013 940	Carbon chip 330 kohm 1/16W	RM73B--334JT
TR505-508	273 0235 923	Transistor 2SC1841-T(E/F)		R215,216	247 2005 987	Carbon chip 220 ohm 1/16W	RM73B--221JT
TR509-512	271 0131 924	Transistor 2SA988-T(E/F)		R217,218	247 2013 940	Carbon chip 330 kohm 1/16W	RM73B--334JT
TR513,514	273 0235 923	Transistor 2SC1841-T(E/F)		R219,220	247 2005 987	Carbon chip 220 ohm 1/16W	RM73B--221JT
TR521,522	273 0235 923	Transistor 2SC1841-T(E/F)		R221,222	247 2013 940	Carbon chip 330 kohm 1/16W	RM73B--334JT
TR701-703	273 0384 900	Transistor 2SC2412KT96(S)		R223,224	247 2005 987	Carbon chip 220 ohm 1/16W	RM73B--221JT
TR704	271 0238 908	Transistor 2SA1037KT96(S/R)		R225,226	247 2015 964	Carbon chip 2.7 Mohm 1/16W	RM73B--275KT
TR705	273 0384 900	Transistor 2SC2412KT96(S)		R227,228	247 2005 987	Carbon chip 220 ohm 1/16W	RM73B--221JT
TR706	271 0131 924	Transistor 2SA988-T(E/F)		R229,230	247 2015 964	Carbon chip 2.7 Mohm 1/16W	RM73B--275KT
TR710,711	269 0091 906	Transistor DTC143TKT96		R231,232	247 2005 987	Carbon chip 220 ohm 1/16W	RM73B--221JT
TR901-905	273 0384 900	Transistor 2SC2412KT96(S)		R237	241 2378 988	Carbon film 390 ohm 1/4W(NB)	RD14B2E391JNBST
TR906	271 0238 908	Transistor 2SA1037KT96(S/R)		R305,306	247 2005 903	Carbon chip 100 ohm 1/16W	RM73B--101JT
TR907	273 0384 900	Transistor 2SC2412KT96(S)		R307,308	247 2012 925	Carbon chip 100 kohm 1/16W	RM73B--104JT
TR912	269 0101 906	Transistor DTA114YKT146		R311,312	247 2009 967	Carbon chip 8.2 kohm 1/16W	RM73B--822JT
D101	276 0681 000	Diode FMG-22S		R315-318	247 2013 982	Carbon chip 470 kohm 1/16W	RM73B--474JT
D102	276 0682 009	Diode FMG-22R		R319,320	247 2012 909	Carbon chip 82 kohm 1/16W	RM73B--823JT
D103-106	276 0704 903	Diode 1SR35-400A(T93X)		R321,322	247 2009 909	Carbon chip 4.7 kohm 1/16W	RM73B--472JT (1608)
D111	276 0432 903	Diode 1SS270A TE (TAPE)		R323,324	247 2011 926	Carbon chip 39 kohm 1/16W	RM73B--393JT
D201	276 0432 903	Diode 1SS270A TE (TAPE)		R325,326	247 2014 907	Carbon chip 560 kohm 1/16W	RM73B--564JT
D203-206	276 0432 903	Diode 1SS270A TE (TAPE)		R327,328	247 2009 925	Carbon chip 5.6 kohm 1/16W	RM73B--562JT
D301	276 0432 903	Diode 1SS270A TE (TAPE)		R329,330	247 2010 985	Carbon chip 27 kohm 1/16W	RM73B--273JT
				R331,332	247 2007 972	Carbon chip 1.3 kohm 1/16W	RM73B--132JT
				R333,334	247 2007 943	Carbon chip 1 kohm 1/16W	RM73B--102JT
				R335,336	247 2012 925	Carbon chip 100 kohm 1/16W	RM73B--104JT

Ref. No.	Part No.	Part Name	Remarks	Ref. No.	Part No.	Part Name	Remarks
R351	241 2378 988	Carbon film 390 ohm 1/4W(NB)	RD14B2E391JNBST	R965	247 2005 987	Carbon chip 220 ohm 1/16W	RM73B--221JT
R513-520	241 2378 962	Carbon film 330 ohm 1/4W(NB)	RD14B2E331JNBST	R966	247 2006 902	Carbon chip 330 ohm 1/16W	RM73B--331JT (1608)
R521,522	244 2064 932	Metal oxide 3.9 kohm 1W(NB)	RS14B3A392JNBST(S)	R967-970	247 2009 983	Carbon chip 10 kohm 1/16W	RM73B--103JT
R529,530	241 2377 921	Carbon film 82 ohm 1/4W(NB)	RD14B2E820JNBST	R972,973	247 2011 942	Carbon chip 47 kohm 1/16W	RM73B--473JT
R533-536	241 2377 992	Carbon film 160 ohm 1/4W(NB)	RD14B2E161JNBST	R976,977	247 2011 942	Carbon chip 47 kohm 1/16W	RM73B--473JT
R543-550	244 2043 982	Metal oxide 1W(NB)	RS14B3A222JNBST(S)	R979	247 2004 920	Carbon chip 47 ohm 1/16W	RM73B--470JT
R551-554	247 2009 983	Carbon chip 10 kohm 1/16W	RM73B--103JT	R981-996	247 2012 925	Carbon chip 100 kohm 1/16W	RM73B--104JT
R559,560	247 2011 926	Carbon chip 39 kohm 1/16W	RM73B--393JT	VR301	211 5641 006	Main volume 30 kohm	V1620V20FB303R
R561-564	244 2043 937	Metal oxide 10 ohm 1W(NB)	RS14B3A100JNBST(S)	VR501,502	211 6075 024	Semi fixed resistor 4.7 kohm	V06PB472 (CERMET)
R567,568	247 2010 969	Carbon chip 22 kohm 1/16W	RM73B--223JT	CAPACITORS GROUP			
R587,588	244 2052 931	Metal oxide 390 ohm 1W(NB)	RS14B3A391JNBST(S)	C101	256 1042 903	Metalized 0.1uF/250V	CF93A2E104KT
R701	247 2005 903	Carbon chip 100 ohm 1/16W	RM73B--101JT	C103,104	254 6220 009	Electrolytic 8200 uF/56V	CE68W==822M(DL)
R702	247 2010 956	Carbon chip 20 kohm 1/16W	RM73B--203JT	C105,106	254 4583 955	Electrolytic 22uF/50V	CE04W1H220MT(ROB)
R703,704	247 2012 925	Carbon chip 100 kohm 1/16W	RM73B--104JT	C107,108	254 4580 712	Electrolytic 100uF/50V	CE04W1H101MC(ROB)
R705	247 2007 943	Carbon chip 1 kohm 1/16W	RM73B--102JT	C109,110	254 4313 918	Electrolytic 10uF/50V	CE04W1H100MT(ASF)
R706,707	247 2009 983	Carbon chip 10 kohm 1/16W	RM73B--103JT	C115,116	254 4528 729	Electrolytic 100uF/100V	CE04W2A101MC SMG/RE3
R708	247 2007 943	Carbon chip 1 kohm 1/16W	RM73B--102JT	C122	253 8022 707	Ceramic 0.01 uF/250V(AC)	CK45F2EAC103MC
R732	244 2051 961	Metal oxide 100 ohm 1W(NB)	RS14B3A101JNBST(S)	C123	254 4313 921	Electrolytic 22uF/50V	CE04W1H220MT(ASF)
R733	241 2378 988	Carbon film 390 ohm 1/4W(NB)	RD14B2E391JNBST	C217,218	254 4313 963	Electrolytic 1uF/50V	CE04W1H010MT(ASF)
R901	247 2011 968	Carbon chip 56 kohm 1/16W	RM73B--563JT	C219	254 4313 921	Electrolytic 22uF/50V	CE04W1H220MT(ASF)
R902	247 2009 983	Carbon chip 10 kohm 1/16W	RM73B--103JT	C221	254 4313 963	Electrolytic 1uF/50V	CE04W1H010MT(ASF)
R903-907	247 2009 909	Carbon chip 4.7 kohm 1/16W	RM73B--472JT (1608)	C222	257 0511 904	Ceramic chip 0.01uF/50V	CK73F1H103ZT
R908	247 2011 942	Carbon chip 47 kohm 1/16W	RM73B--473JT	C301,302	255 1265 936	Mylar film 0.01uF/50V	CQ93M1H103JT(B)
R911	247 2009 983	Carbon chip 10 kohm 1/16W	RM73B--103JT	C303,304	254 4313 918	Electrolytic 10uF/50V	CE04W1H100MT(ASF)
R913,914	247 2009 983	Carbon chip 10 kohm 1/16W	RM73B--103JT	C305,306	257 0506 951	Ceramic chip 100pF/50V	CC73CH1H101JT
R915	247 2009 909	Carbon chip 4.7 kohm 1/16W	RM73B--472JT (1608)	C307-310	254 4524 985	Electrolytic 10uF/50V	CE04W1H100MT SMG/RE3
R916,917	247 2005 903	Carbon chip 100 ohm 1/16W	RM73B--101JT	C313,314	257 0506 951	Ceramic chip 100pF/50V	CC73CH1H101JT
R918,919	247 2007 943	Carbon chip 1 kohm 1/16W	RM73B--102JT	C315,316	254 4524 969	Electrolytic 3.3uF/50V	CE04W1H3R3MT SMG/RE3
R921,922	247 2009 983	Carbon chip 10 kohm 1/16W	RM73B--103JT	C317,318	257 0517 924	Ceramic chip 0.056uF/16V	CK73B1C563KT
R923,924	247 2010 969	Carbon chip 22 kohm 1/16W	RM73B--223JT	C321,322	257 0510 963	Ceramic chip 8200pF/50V	CK73B1H822KT
R925	247 2008 926	Carbon chip 2.2 kohm 1/16W	RM73B--222JT	C323,324	257 0509 987	Ceramic chip 1800pF/50V	CK73B1H182KT
R926,927	247 2010 969	Carbon chip 22 kohm 1/16W	RM73B--223JT	C325,326	254 4524 972	Electrolytic 4.7uF/50V	CE04W1H4R7MT SMG/RE3
R928	247 2007 943	Carbon chip 1 kohm 1/16W	RM73B--102JT	C327,328	257 0501 914	Ceramic chip 0.012uF/25V	CK73B1E123KT
R929	247 2005 903	Carbon chip 100 ohm 1/16W	RM73B--101JT	C329,330	254 4524 972	Electrolytic 4.7uF/50V	CE04W1H4R7MT SMG/RE3
R930	247 2011 942	Carbon chip 47 kohm 1/16W	RM73B--473JT	C331,332	257 0506 951	Ceramic chip 100pF/50V	CC73CH1H101JT
R931	247 2005 987	Carbon chip 220 ohm 1/16W	RM73B--221JT	C351,352	254 4313 918	Electrolytic 10uF/50V	CE04W1H100MT(ASF)
R932	247 2011 942	Carbon chip 47 kohm 1/16W	RM73B--473JT	C353,354	254 4524 972	Electrolytic 4.7uF/50V	CE04W1H4R7MT SMG/RE3
R933,934	247 2010 969	Carbon chip 22 kohm 1/16W	RM73B--223JT	C357	254 4313 921	Electrolytic 22uF/50V	CE04W1H220MT(ASF)
R935	247 2009 983	Carbon chip 10 kohm 1/16W	RM73B--103JT	C407,408	253 1179 929	Ceramic 150pF/50V	CK45B1H151KT(DD-3)
R936,937	247 2009 909	Carbon chip 4.7 kohm 1/16W	RM73B--472JT (1608)	C409,410	254 4538 900	Electrolytic 10uF/16V	CE04W1C100MT SMG/RE3
R938	247 2011 900	Carbon chip 33 kohm 1/16W	RM73B--333JT	C411,412	254 4536 931	Electrolytic 220uF/10V	CE04W1A221MT SMG/RE3
R939	247 2010 927	Carbon chip 15 kohm 1/16W	RM73B--153JT	C419,420	255 1265 907	Mylar film 6800pF/50V	CQ93M1H682JT(B)
R940	247 2009 983	Carbon chip 10 kohm 1/16W	RM73B--103JT	C421,422	255 1265 978	Mylar film 0.022uF/50V	CQ93M1H223JT(B)
R941	247 2007 943	Carbon chip 1 kohm 1/16W	RM73B--102JT	C423,424	255 1264 940	Mylar film 2200pF/50V	CQ93M1H222JT(B)
R946	247 2007 943	Carbon chip 1 kohm 1/16W	RM73B--102JT	C425,426	254 4313 963	Electrolytic 1uF/50V	CE04W1H010MT(ASF)
R947	247 2005 945	Carbon chip 150 ohm 1/16W	RM73B--151JT	C427,428	254 4524 956	Electrolytic 2.2uF/50V	CE04W1H2R2MT SMG/RE3
R948-950	247 2009 983	Carbon chip 10 kohm 1/16W	RM73B--103JT				
R951-962	247 2011 942	Carbon chip 47 kohm 1/16W	RM73B--473JT				
R963	247 2018 903	Carbon chip 0 ohm 1/16W	RM73B--0R0KT				

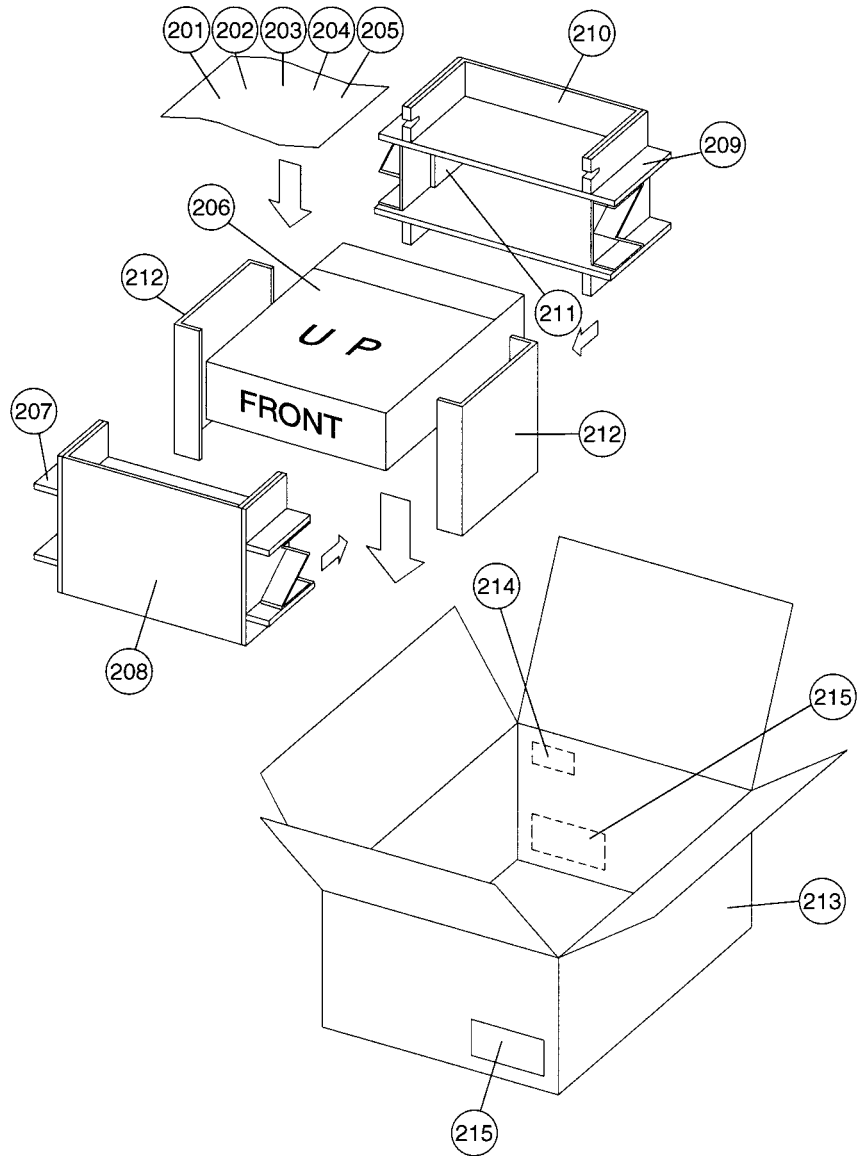
Ref. No.	Part No.	Part Name	Remarks	Ref. No.	Part No.	Part Name	Remarks	Q'ty	
C501-504	255 4235 918	Mylar film 100pF/100V	CQ93P2A101JT(NH)	OTHER PARTS GROUP					
C505,506	255 1264 940	Mylar film 2200pF/50V	CQ93M1H222JT(B)	AS101,102	417 0476 007	Radiator		2	
C507,508	254 4583 971	Electrolytic 47uF/50V	CE04W1H470MT(ROB)	AS103	417 0476 049	Radiator		1	
C509,510	255 4232 924	Mylar film 39pF/100V	CQ93P2A390JT(NH)	AS104	417 0476 007	Radiator		1	
C519,520	254 4313 963	Electrolytic 1uF/50V	CE04W1H010MT(ASF)	AS105-108	471 3304 028	Screw 3x8 CBS-B		4	
C523,524	254 4580 712	Electrolytic 100uF/50V	CE04W1H010MC(ROB)	AS121,122	415 0299 000	Condenser cover		2	
C525,526	255 4232 937	Mylar film 1000pF/100V	CQ93P2A102JT(NH)	AS902	449 0172 007	Sensor holder		1	
C527,528	256 1058 971	Metalized 0.1uF/50V	CF93A1H104JT (JL)	AS903,904	461 1067 001	FL spacer		2	
C541-544	255 1264 940	Mylar film 2200pF/50V	CQ93M1H222JT(B)	CW21	203 2318 001	2P SAN-SAN cord		1	
C571	255 1264 908	Mylar film 1000pF/50V	CQ93M1H102JT(B)	CW36	203 5266 008	3P KR-DS connector cord		1	
C702	254 4313 921	Electrolytic 22uF/50V	CE04W1H220MT(ASF)	CW39	203 5103 022	3P SAN-SAN connector cord		1	
C704	254 4524 914	Electrolytic 0.22uF/50V	CE04W1HR22MT SMG/RE3	CW101	204 2896 005	10P DS-DS connector cord		1	
C705	254 4541 942	Electrolytic 100uF/25V	CE04W1E101MT SMG/RE3	CW703	203 5220 015	3P VH connector cord		1	
C706	254 4533 947	Electrolytic 330uF/6.3V	CE04W0J331MT SMG/RE3	CX31	205 0233 032	3 P EH connector base		1	
C707	254 4524 943	Electrolytic 1uF/50V	CE04W1H010MT SMG/RE3	CX32	205 0277 030	3P EH connector base (RD)		1	
C708	254 4524 972	Electrolytic 4.7uF/50V	CE04W1H4R7MT SMG/RE3	CX33	205 0343 032	3P connector base (KR-PH)		1	
C709	255 1265 936	Mylar film 0.01uF/50V	CQ93M1H103JT(B)	CX34	205 0323 036	3P connector base (BLK)		1	
C901	256 1058 971	Metalized 0.1uF/50V	CF93A1H104JT (JL)	CX35	205 0321 038	3P connector base (KR-PH RED)		1	
C902	254 4403 721	Electrolytic 2200uF/25V	CE04W1E222MC (SMG)	CX36	205 0406 034	3P connector base (KR-PH)		1	
C903	257 0512 903	Ceramic chip 0.1uF/25V	CK73F1E104ZT	CX51	205 0343 058	5P connector base (KR-PH)		1	
C904	254 4541 900	Electrolytic 10uF/25V	CE04W1E100MT SMG/RE3	CX71	205 0343 074	7P connector base (KR-PH)		1	
C905	257 0512 903	Ceramic chip 0.1uF/25V	CK73F1E104ZT	CX81	205 0343 087	8P connector base (KR-PH)		1	
C906	254 4541 900	Electrolytic 10uF/25V	CE04W1E100MT SMG/RE3	CX91	205 0343 090	9P connector base (KR-PH)		1	
C907	257 0511 904	Ceramic chip 0.01uF/50V	CK73F1H103ZT	CX112	205 0375 013	11P connector base (KR-PH)		1	
C908	254 4299 906	Electrolytic 10uF/16V	CE04W1C100MT(SRE)	CX152	205 0375 055	15P connector base (KR-PH)		1	
C909	257 0511 904	Ceramic chip 0.01uF/50V	CK73F1H103ZT	CX701,702	205 0606 025	2P wrapping terminal		2	
C911	257 0511 904	Ceramic chip 0.01uF/50V	CK73F1H103ZT	CX703	205 0581 001	2P VH connector base		1	
C914	254 4299 906	Electrolytic 10uF/16V	CE04W1C100MT(SRE)	CX704	205 0087 039	3P wrapping terminal		1	
C921,922	257 0509 929	Ceramic chip 1000pF/50V	CK73B1H102KT	CY31	205 0233 032	3 P EH connector base		1	
C931	257 0512 903	Ceramic chip 0.1uF/25V	CK73F1E104ZT	CY32	205 0277 030	3P EH connector base (RD)		1	
C932	254 4305 984	Electrolytic 2.2uF/50V	CE04W1H2R2MT(SRE)	CY33	205 0343 032	3P connector base (KR-PH)		1	
C933	257 0511 904	Ceramic chip 0.01uF/50V	CK73F1H103ZT	CY34	205 0323 036	3P connector base (BLK)		1	
C934	254 4299 964	Electrolytic 47uF/16V	CE04W1C470MT(SRE)	CY51	205 0343 058	5P connector base (KR-PH)		1	
C935	257 0511 904	Ceramic chip 0.01uF/50V	CK73F1H103ZT	CY71	205 0343 074	7P connector base (KR-PH)		1	
C936	254 4299 906	Electrolytic 10uF/16V	CE04W1C100MT(SRE)	CY81	205 0343 087	8P connector base (KR-PH)		1	
C937	257 0511 904	Ceramic chip 0.01uF/50V	CK73F1H103ZT	CY91	205 0343 090	9P connector base (KR-PH)		1	
C938	254 4299 906	Electrolytic 10uF/16V	CE04W1C100MT(SRE)	CY112	205 0375 013	11P connector base (KR-PH)		1	
C939	257 0511 904	Ceramic chip 0.01uF/50V	CK73F1H103ZT	CY152	205 0375 055	15P connector base (KR-PH)		1	
C940	254 4299 906	Electrolytic 10uF/16V	CE04W1C100MT(SRE)	△F101	206 1075 027	Fuse (1.6A)		1	
C941-943	257 0511 904	Ceramic chip 0.01uF/50V	CK73F1H103ZT	FF101	202 0040 909	Fuse clip		1	
C944	254 4299 906	Electrolytic 10uF/16V	CE04W1C100MT(SRE)	FH101	202 0040 909	Fuse clip		1	
				R313,314	247 2018 903	Carbon chip 0 ohm 1/16W	RM73B—0R0KT	2	
				JK201	204 8635 008	4P pin jack (C-GND)		1	
				JK202	204 8635 024	4P pin jack (C-GND)		1	

Ref. No.	Part No.	Part Name	Remarks	Q'ty
JK203	204 8638 021	6P pin jack (C-GND)		1
JK204	204 8635 008	4P pin jack (C-GND)		1
JK205,206	204 8637 006	Mini jack (STEREO)		2
JK501	205 0526 008	4P SP terminal (EU)		1
JK502	204 8636 007	Mini jack (ST.SW)		1
△ RL101	214 0214 000	Relay (SDT-S-109LMR)		1
RL201	214 0203 008	Relay (NA12W-K)		1
RL301	214 0203 008	Relay (NA12W-K)		1
RL702	214 0195 006	Relay FTR-F1		1
RL704	214 0203 008	Relay (NA12W-K)		1
△ S101	212 1031 008	Power switch (TV-5)		1
S906,907	212 4813 003	Tact switch		2
S908	212 0465 002	Rotary encoder (F)		1
△ T101	233 6383 004	Power trans. (SUB/E2)		1
TP501,502	205 0190 036	3P NH connector base		2
W101	203 0689 017	1P SIN-SIN wire		1
W102	203 0689 033	1P SIN-SIN wire		1
W103	203 0689 020	1P SIN-SIN wire		1
W104	203 0689 046	1P SIN-SIN wire		1
W105	203 0689 004	1P SIN-SIN wire		1
W107	203 0689 075	1P SIN-SIN wire		1
W108	203 0689 088	1P SIN-SIN wire		1
W202	205 0864 003	M3 screw terminal		1
W501	203 0689 059	1P SIN-SIN wire		1
W502	203 0689 062	1P SIN-SIN wire		1
XL901	399 0107 900	Ceramic 4.19 MHz	CST4.19MGW-TF1	1
	393 8054 002	FLD (11-BT-187GNK)		1
	513 2784 040	Fuse label		1

EXPLODED VIEW



PACKING VIEW



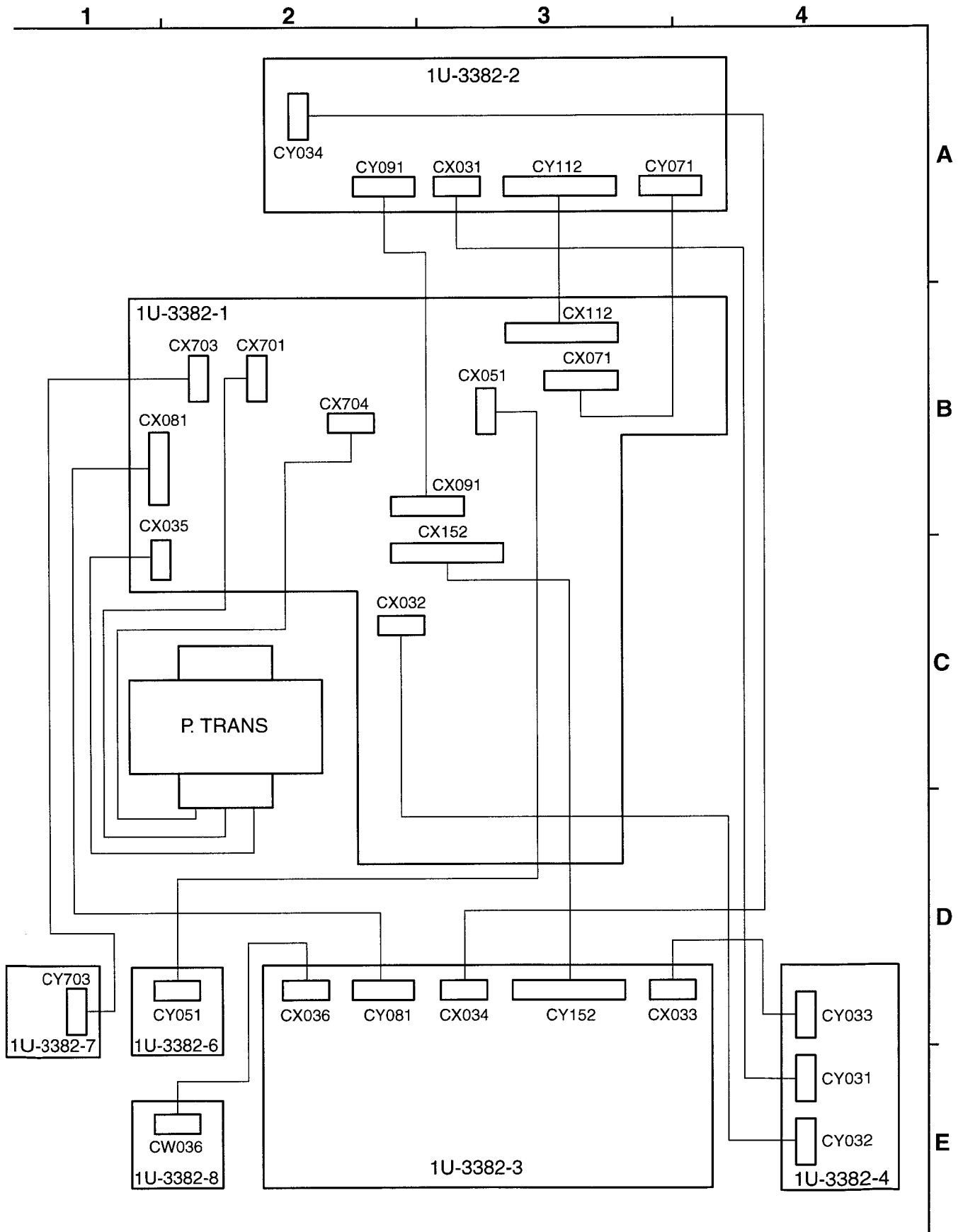
PARTS LIST OF PACKING & ACCESSORIES

Ref. No.	Part No.	Part Name	Remarks	Q'ty	Ref. No.	Part No.	Part Name	Remarks	Q'ty
201	505 0038 030	Poly cover		1	209	502 0966 006	Cushion(R-A)		1
202	511 3820 004	Inst manual(E2)		1	210	502 0967 005	Cushion(R-B)		1
203	515 0867 101	S.S.list(EX)		1	211	502 0980 008	Cushion pad		1
204	394 0012 003	Battery (UM-4) Ass		1	212	502 0968 101	Spacer pad		2
205	399 0766 008	Remocon (RC-906)		1	213	501 2157 001	Carton case		1
206	505 0335 005	Cabinet cover		1	214	517 1417 048	E2 POS label	for Europe model	1
207	502 0964 008	Cushion(F-A)		1	214	517 1416 036	EK POS label	for U.K. model	1
208	502 0965 007	Cushion(F-B)		1	215	—	Control Card		1

PARTS LIST OF EXPLODED VIEW

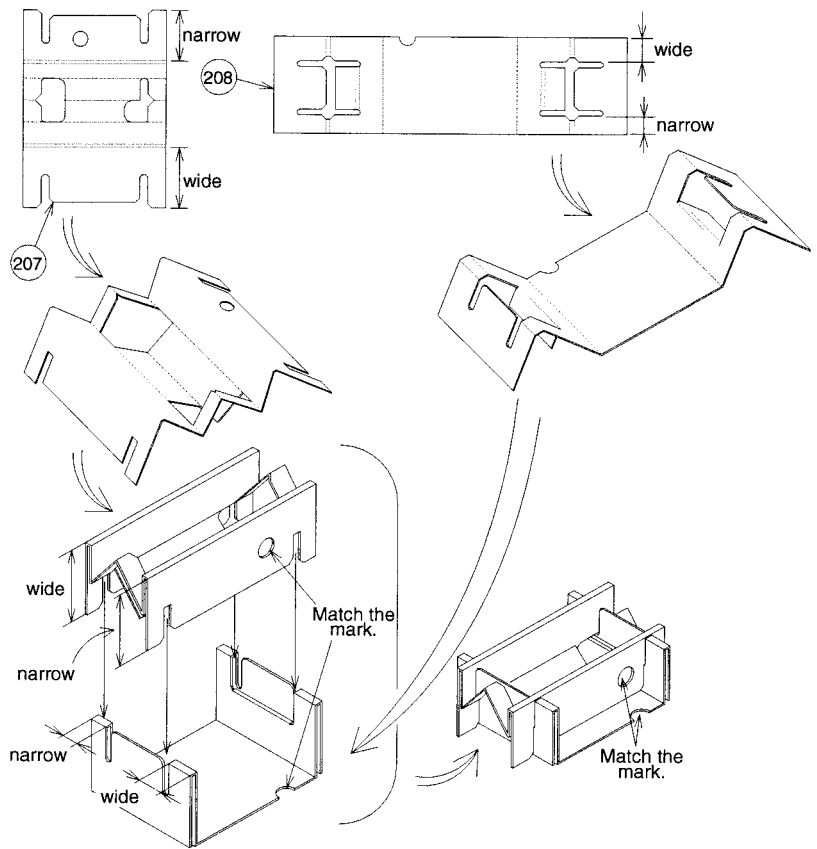
Ref. No.	Part No.	Part Name	Remarks	Q'ty	Ref. No.	Part No.	Part Name	Remarks	Q'ty
1	1U-3382A	Main P.W.B. unit Ass'y		1	★	204 6350 039	11P KR-KR ribbon 100	CN112	1
1-1		Main unit			★	204 6362 098	15P KR-KR ribbon 250	CN152	1
1-2		Input unit			★	461 1066 002	Felt		4
1-3		U-CON unit			★	415 0309 055	P.V.C tube(L=07)		2
1-4		Main VR unit			★	445 0048 016	Cord holder (L50)		1
1-5		Headphone jack unit			★	461 1067 001	FL spacer		1
1-6		P.S.W. unit			★	445 8027 000	Cord clamper		1
1-7		LED unit			★	445 8027 000	Cord clamper		2
2	411 1993 222	Main chassis		1	★	445 8004 007	Wire clamper		8
3	104 0324 004	Foot		4	★	513 1642 002	No. sheet		1
4	105 1385 016	Back panel		1	SCREWS				
5	412 3548 005	P.W.B catcher		4	101	473 7002 005	Screw 3X6 CBTS(S)-Z		8
6	417 0620 109	Power radiator		1	102	473 7015 005	Screw 3X6 CBTS(S)-B		11
7	272 0152 003	2SB1383(P/Y)	TR519,520		103	473 8034 072	Screw 3X16 CBTS(B)Z		6
8	274 0190 003	2SD2083(P/Y)	TR517,518		104	473 8034 030	Screw 3X10 CBTS(B)-Z		9
9	273 0450 009	2SC4495(O/Y)	TR515,516		105	477 0064 107	Fixing screw		6
10	415 0234 007	Insulating sheet		4	106	473 7500 060	Screw 3X18 CBTS (P)		4
11	279 0034 054	PTH9M04BC222TS2F333	TH701		107	473 7004 029	Screw 4X10 CBTS (S)-Z		4
12	412 3225 205	P.W.B bracket(A)		2	108	473 7500 015	Screw 3X8 CBTS (P)-Z		9
▲	13	233 6391 009	Power trans E2	1	109	473 7501 014	Screw 3X14 CBTS (P)-Z		2
14	412 4828 106	Trans bracket		1	110	473 7003 017	Screw 3X8 CFTS (S)-B		2
15	412 4844 009	PWB bracket(B)		1	111	473 7002 021	Screw 3X8 CBTS (S)-B		6
16	205 1116 006	Terminal Ass		1	112	473 7002 018	Screw 3X8 CBTS (S)-Z		1
▲	17	206 2063 009	AC cord with plug	1	113	477 0263 018	3P. swelling screw		4
▲	17	206 2132 008	AC cord with plug	1					
18	445 0056 008	Cord bush		1					
19	146 2252 204	Inner panel		1					
20	119 0113 000	Knob esc.		1					
21	103 1751 000	Holder		1					
22	412 4826 108	Knob bracket		1					
23	113 1919 001	Power knob Ass'y		1					
24	113 1914 006	Knob 1 REN Ass		2					
25	143 1131 000	Remocon filter		1					
26	144 2777 107	Front panel		1					
27	131 0156 009	DENON badge		1					
28	143 1129 009	Window		1					
29	112 0886 006	Knob(M) Ass'y		1					
30	112 0884 105	Knob(F) Ass'y		1					
31	102 0653 009	Top cover		1					
32	477 0096 007	Push rivet		4					
33	412 4845 008	PWB bracket(C)		1					
34	412 4843 000	Earth plate		1					
35	414 0947 003	Shield plate		1					
121	475 2003 005	3 spring washer		6					
122	475 1003 006	3 washer		4					
★	475 1106 013	Washer		2					
★	203 5110 044	3P EH-EH shield	CN31	1					
★	203 5110 015	3P EH-EH shield	CN32	1					
★	203 4871 054	3P KR-KR ribbon 150	CN33	1					
★	203 4872 037	3P KR-KR ribbon 350	CN34	1					
★	203 8342 055	5P KR-KR ribbon 400	CN51	1					
★	204 2547 024	8P KR-KR ribbon 325	CN81	1					
★	204 2543 031	7P KR-KR ribbon 100	CN71	1					
★	204 2549 035	9P KR-KR ribbon 100	CN91	1					

WIRING DIAGRAM

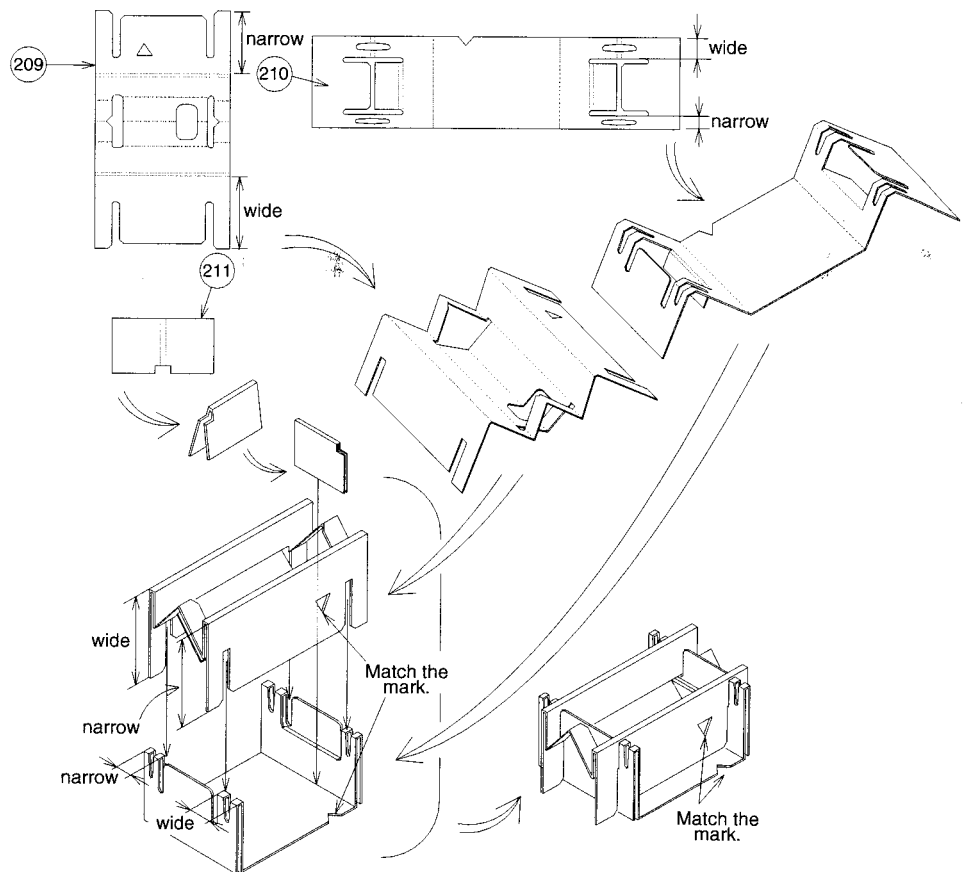


FORMING CUSHIONS

Cushion (F) Ass'y



Cushion (R) Ass'y



SCHEMATIC DIAGRAMS (1/2)

1

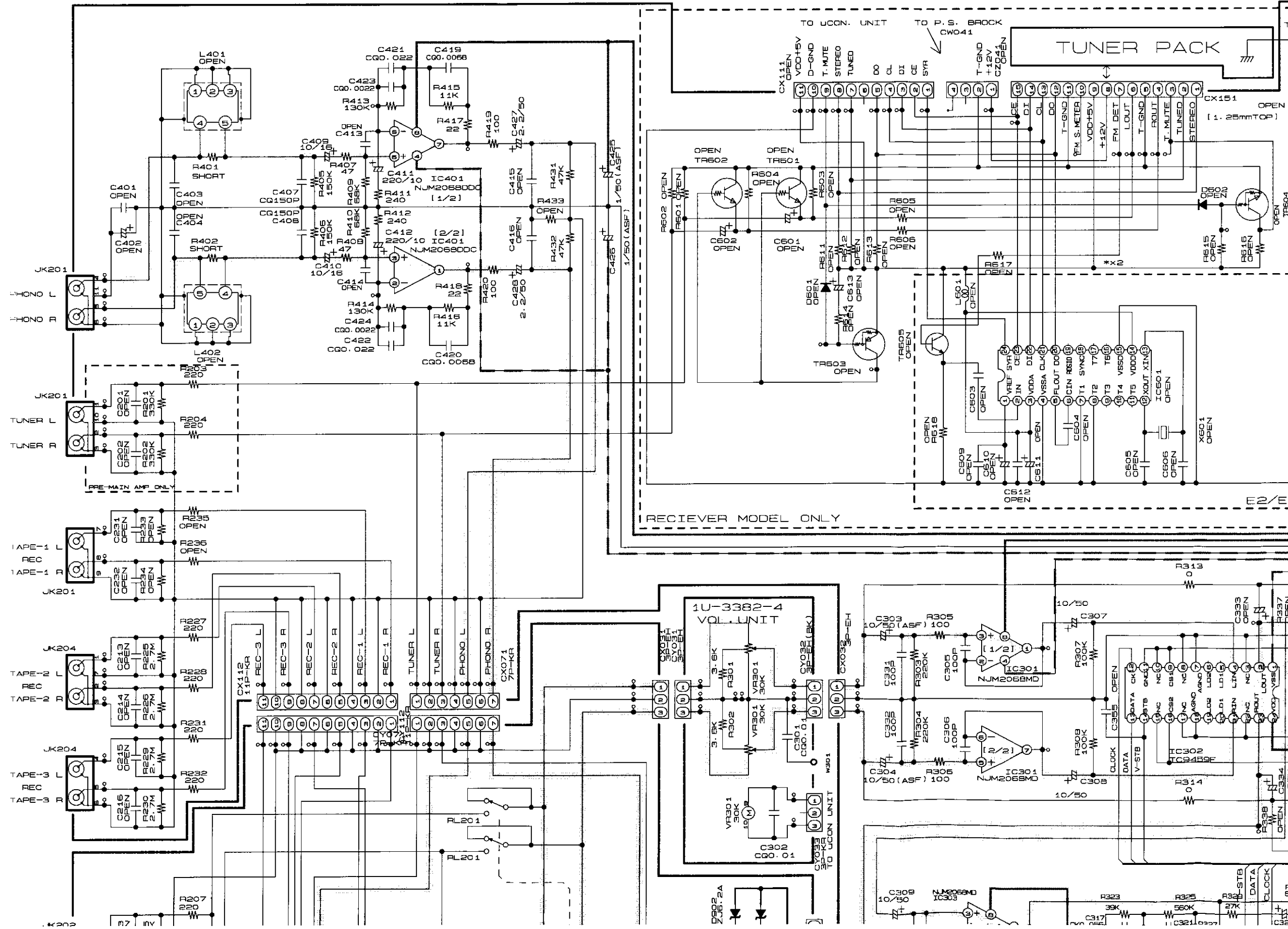
2

3

4

5

6



6

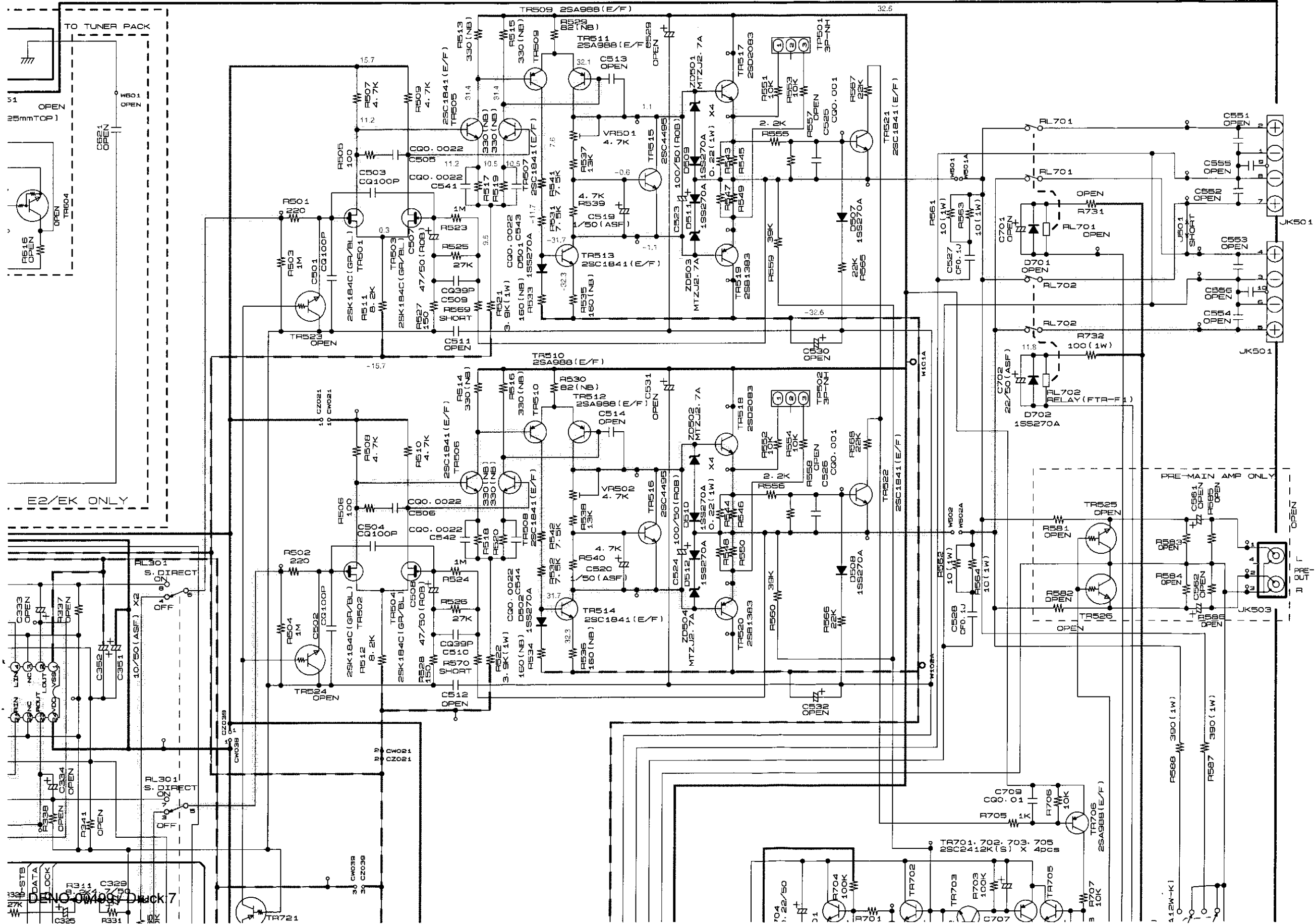
7

8

9

10

11

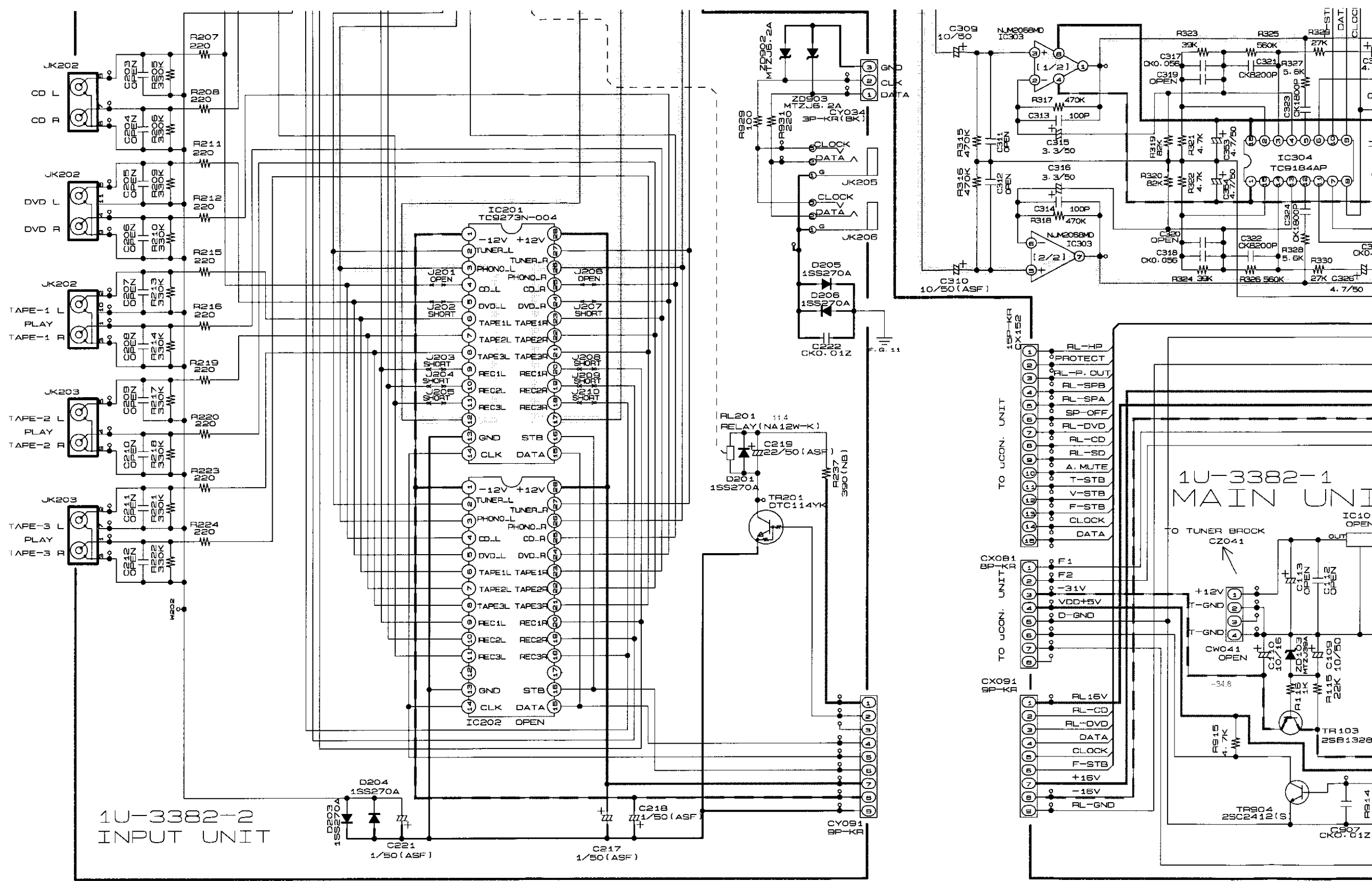


A

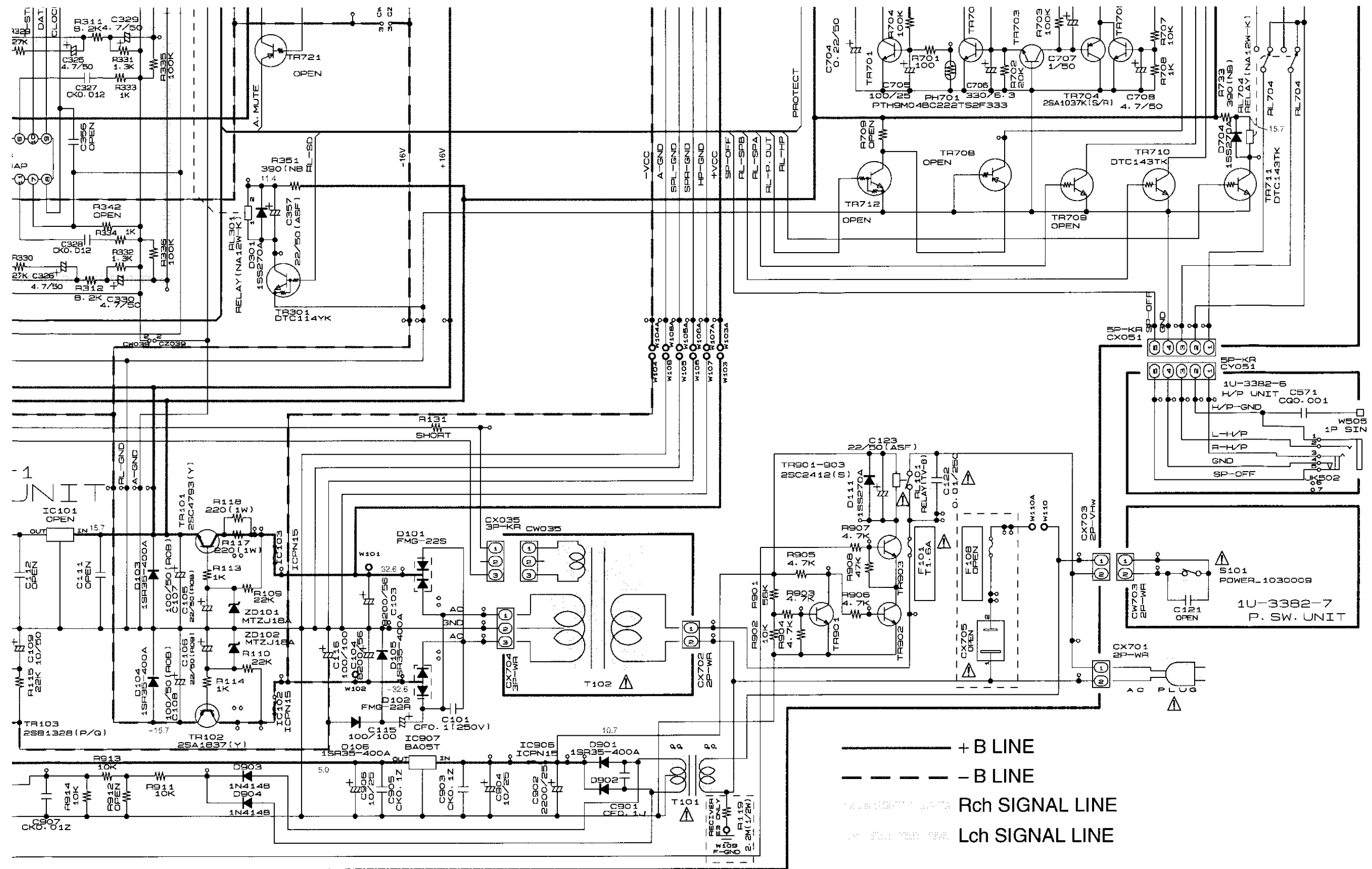
B

C

D



NOTICE
 ALL RESISTAN
 ALL CAPACITA
 EACH VOLTAC
 CONDITION.
 CIRCUIT AND
 NOTICE.



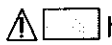
E

F

G

H

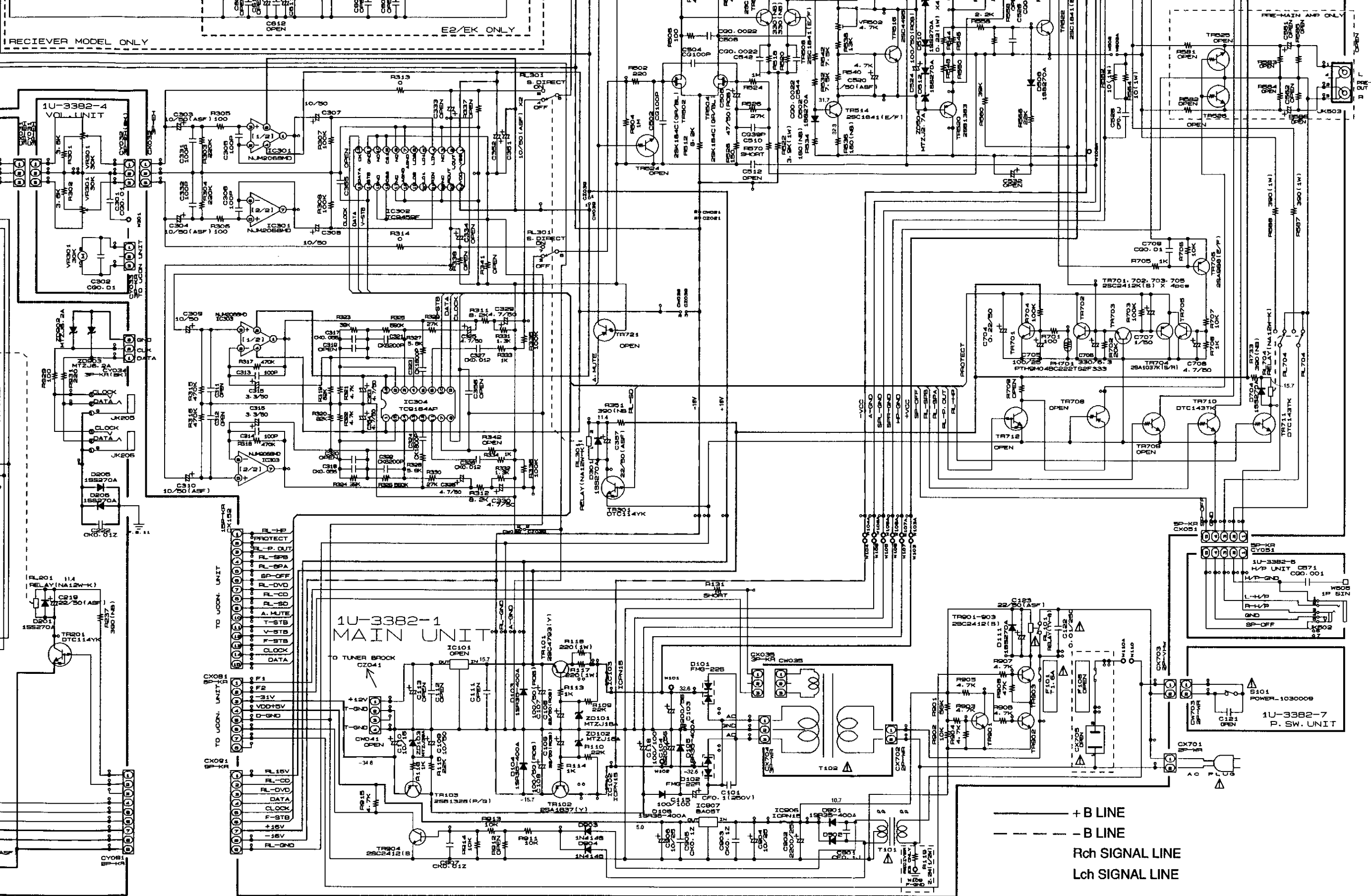
ICE
RESISTANCE VALUES IN OHM. k=1,000 OHM M=1,000,000 OHM
CAPACITANCE VALUES IN MICRO FARAD. P=MICRO-MICRO FARAD
VOLTAGE AND CURRENT ARE MEASURED AT MO SIGNAL INPUT POSITION.
UNIT AND PARTS ARE SUBJECT TO CHANGE WITHOUT PRIOR NOTICE.

WARNING:
Parts marked with this symbol  have critical characteristics. Use ONLY replacement parts recommended by the manufacture.

CAUTION:
Before returning the unit to the customer, make sure you make either (1) a leakage current check or (2) a line to chassis resistance check. If the leakage current exceeds 0.5 milliamps, or if the resistance from chassis to either side of the power card is less than 460kohms, the unit is defective.

WARNING:
DO NOT return the unit to the customer until the problem is located and corrected.

SCHEMATIC DIAGRAMS (1/2)
1U-3382-1 MAIN UNIT
1U-3382-2 INPUT UNIT
1U-3382-4 VOL UNIT
1U-3382-6 H/P UNIT
1U-3382-7 P. SW. UNIT

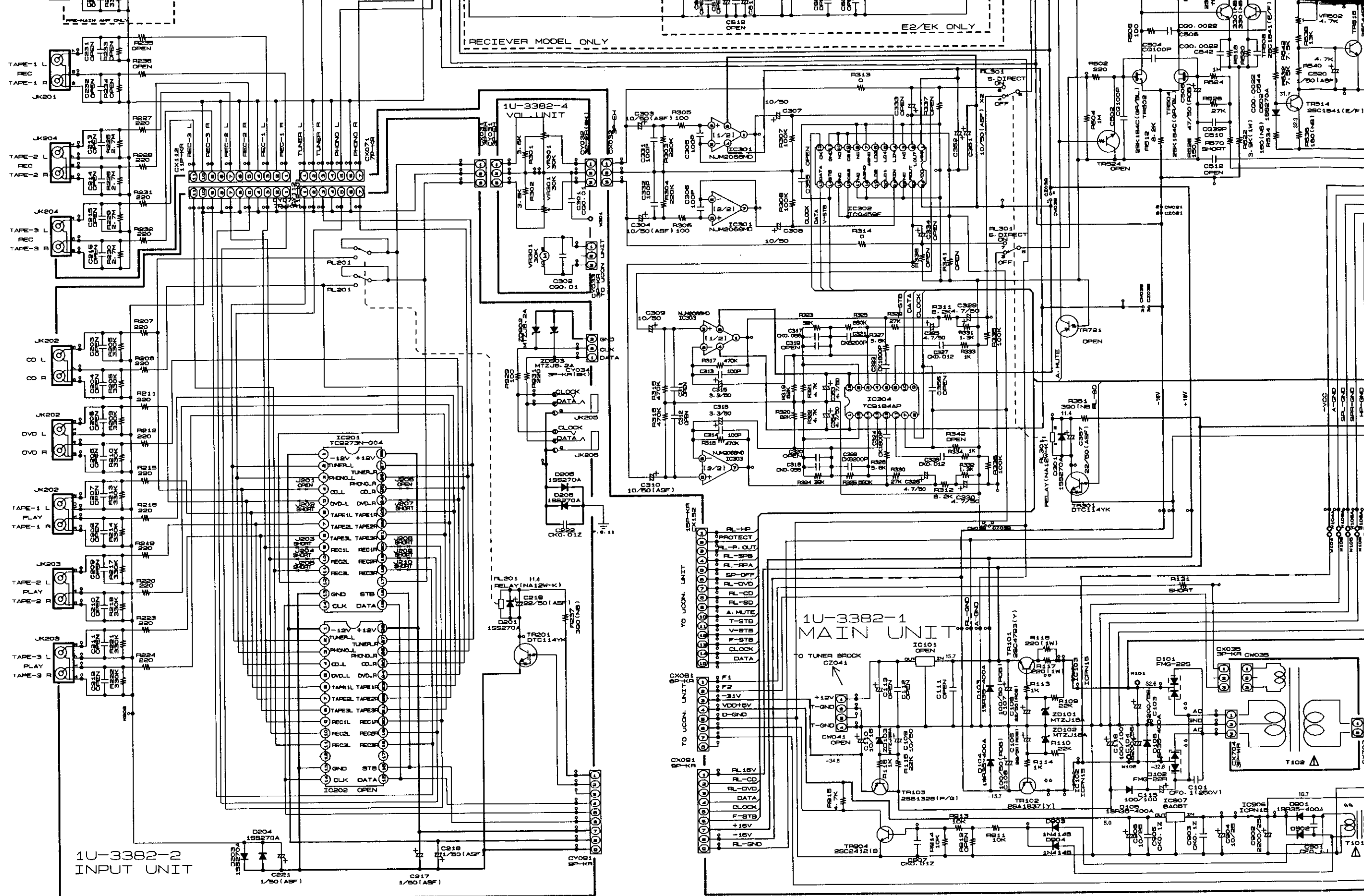


NOTICE
 ALL RESISTANCE VALUES IN OHM. k=1,000 OHM M=1,000,000 OHM
 ALL CAPACITANCE VALUES IN MICRO FARAD. P=MICRO-MICRO FARAD
 EACH VOLTAGE AND CURRENT ARE MEASURED AT NO SIGNAL INPUT
 CONDITION.
 CIRCUIT AND PARTS ARE SUBJECT TO CHANGE WITHOUT PRIOR
 NOTICE.

WARNING:
 Parts marked with this symbol Δ have critical characteristics.
 Use ONLY replacement parts recommended by the manufacture.
CAUTION:
 Before returning the unit to the customer, make sure you make either (1) a
 leakage current check or (2) a line to chassis resistance check. If the leakage
 current exceeds 0.5 milliamps, or if the resistance from chassis to either side
 of the power card is less than 460kohms, the unit is defective.
WARNING:
 DO NOT return the unit to the customer until the problem is located and
 corrected.

SCHEMATIC DIAGRAMS (1/2)
 1U-3382-1 MAIN UNIT
 1U-3382-2 INPUT UNIT
 1U-3382-4 VOL UNIT
 1U-3382-6 H/P UNIT
 1U-3382-7 P. SW. UNIT

C
D
E
F
G
H



NOTICE
 ALL RESISTANCE VALUES IN OHM. k=1,000 OHM M=1,000,000 OHM
 ALL CAPACITANCE VALUES IN MICRO FARAD. P=MICRO-MICRO FARAD
 EACH VOLTAGE AND CURRENT ARE MEASURED AT MO SIGNAL INPUT
 CONDITION.
 CIRCUIT AND PARTS ARE SUBJECT TO CHANGE WITHOUT PRIOR
 NOTICE.

WARNING:
 Parts marked with
 Use ONLY replace
CAUTION:
 Before returning the
 leakage current of
 current exceeds 0
 of the power cord
WARNING:
 DO NOT return the
 corrected.

SCHEMATIC DIAGRAMS (2/2)

1

2

3

4

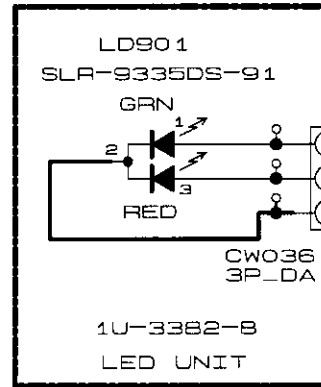
5

6

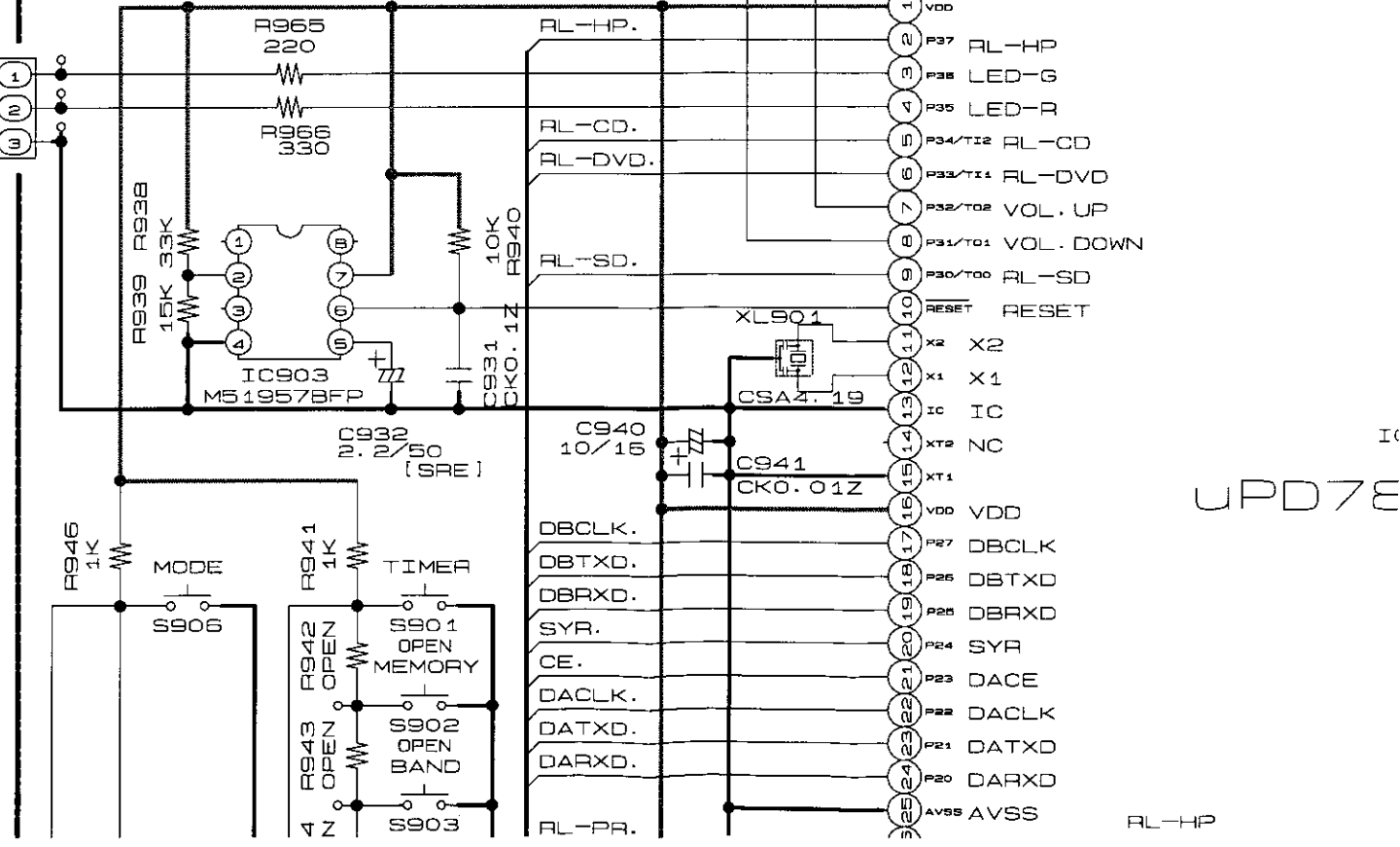
1U-3382-3

FL UNIT

TO UCON UNIT



3P-KA (BU)
CX036

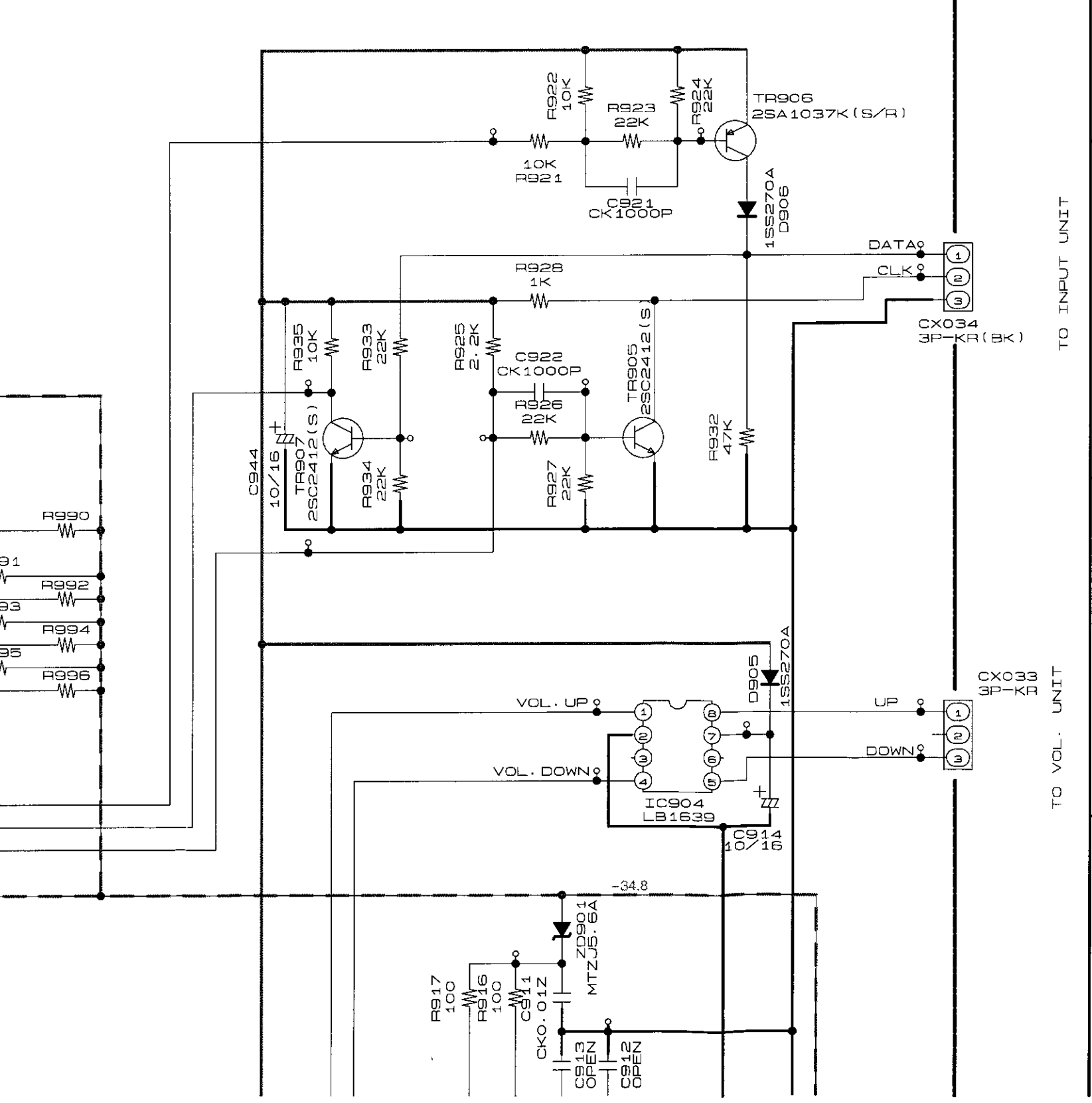
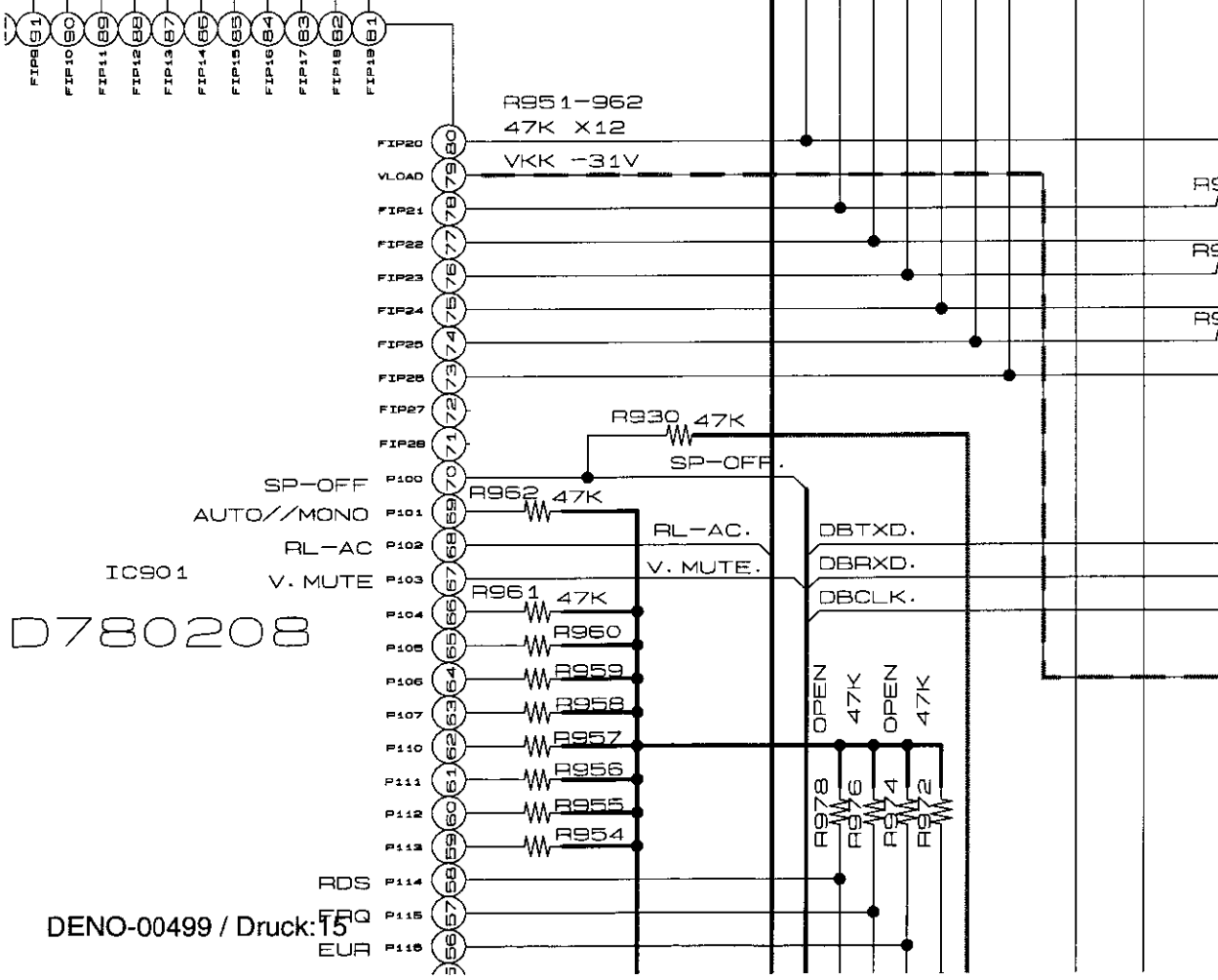
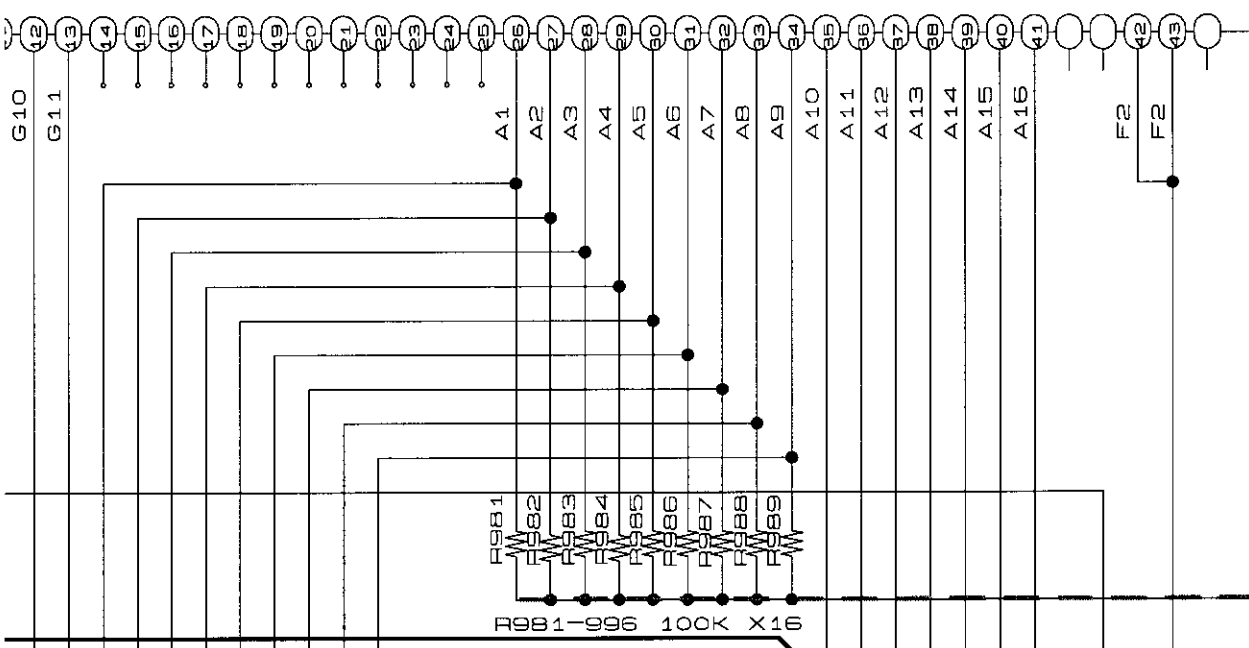


UPD78

6 7 8 9 10 11

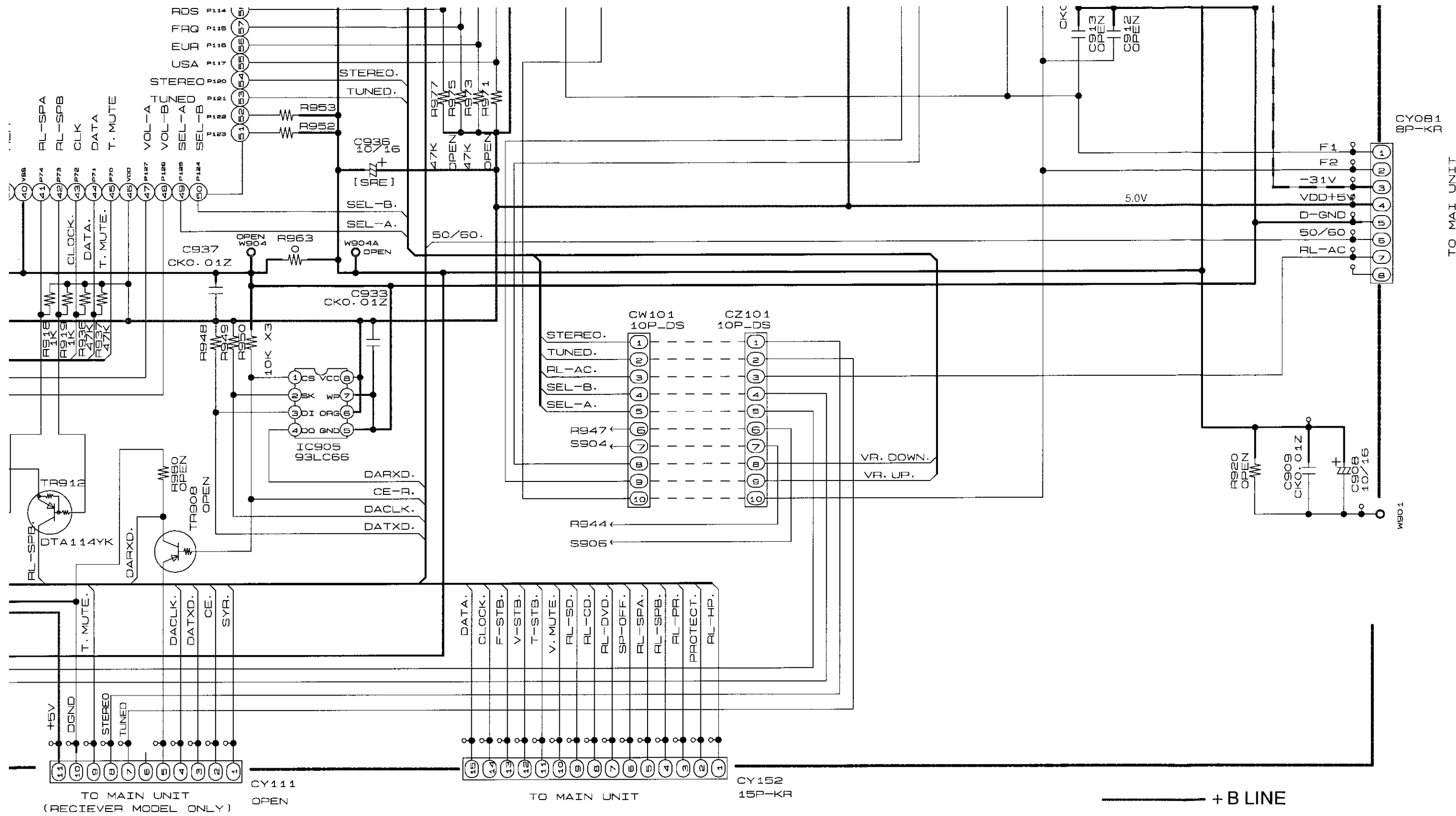
A
B
C
D

FL901 11-BT-187GNK



D780208

DENO-00499 / Druck: 15



TO MAI UNIT

F

F

G

H

ICE
 RESISTANCE VALUES IN OHM. k=1,000 OHM M=1,000,000 OHM
 CAPACITANCE VALUES IN MICRO FARAD. P=MICRO-MICRO FARAD
 VOLTAGE AND CURRENT ARE MEASURED AT NO SIGNAL INPUT
 POSITION.
 CIRCUIT AND PARTS ARE SUBJECT TO CHANGE WITHOUT PRIOR
 NOTICE.

WARNING:
 Parts marked with this symbol \triangle have critical characteristics.
 Use ONLY replacement parts recommended by the manufacturer.

CAUTION:
 Before returning the unit to the customer, make sure you make either (1) a
 leakage current check or (2) a line to chassis resistance check. If the leakage
 current exceeds 0.5 milliamperes, or if the resistance from chassis to either side
 of the power card is less than 460kohms, the unit is defective.

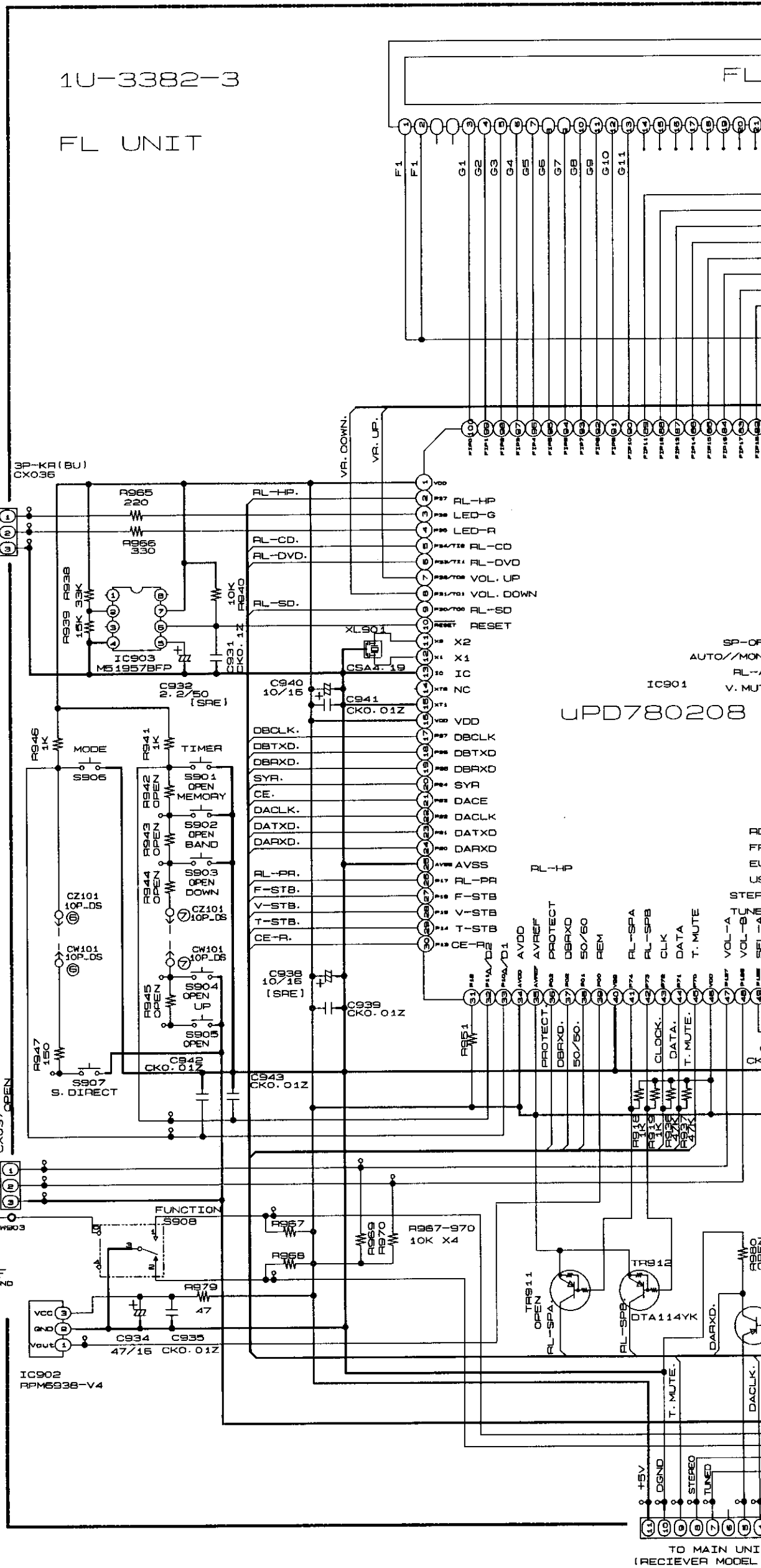
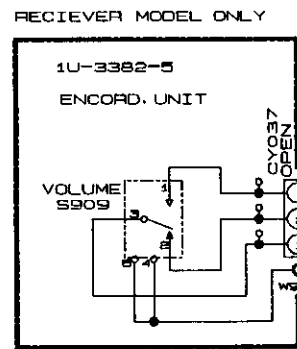
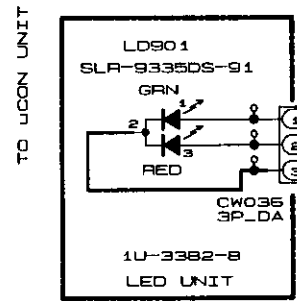
WARNING:
 DO NOT return the unit to the customer until the problem is located and
 corrected.

————— + B LINE
 - - - - - - B LINE

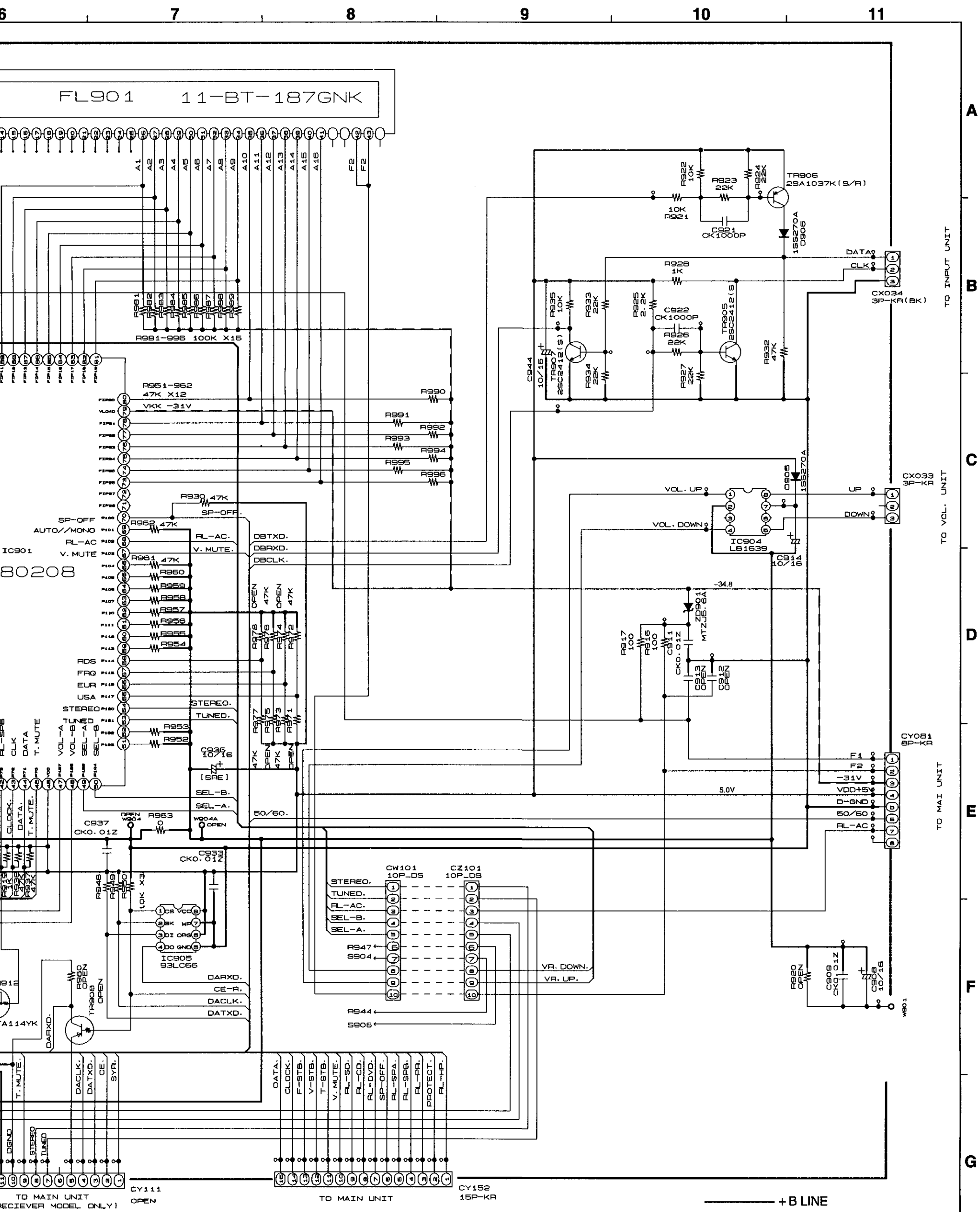
SCHEMATIC DIAGRAMS (2/2)
 1U-3382-3 FL UNIT
 1U-3382-5 ENCORD UNIT
 1U-3382-8 LED UNIT

SCHEMATIC DIAGRAMS (2/2)

1 2 3 4 5 6



NOTICE
ALL RESISTANCE VALUES IN C
ALL CAPACITANCE VALUES IN
EACH VOLTAGE AND CURRENT
CONDITION.
CIRCUIT AND PARTS ARE SUB
NOTICE.



RESISTANCE VALUES IN OHM. k=1,000 OHM M=1,000,000 OHM
 CAPACITANCE VALUES IN MICRO FARAD. P=MICRO-MICRO FARAD
 VOLTAGE AND CURRENT ARE MEASURED AT NO SIGNAL INPUT
 PARTS ARE SUBJECT TO CHANGE WITHOUT PRIOR NOTICE

WARNING:
 Parts marked with this symbol Δ have critical characteristics. Use ONLY replacement parts recommended by the manufacturer.

CAUTION:
 Before returning the unit to the customer, make sure you make either (1) a leakage current check or (2) a line to chassis resistance check. If the leakage current exceeds 0.5 milliamperes, or if the resistance from chassis to either side of the power card is less than 460kohms, the unit is defective.

WARNING:
 DO NOT return the unit to the customer until the problem is located and corrected.

— + B LINE
 - - - - - B LINE

SCHEMATIC DIAGRAMS (2/2)
 1U-3382-3 FL UNIT
 1U-3382-5 ENCORD UNIT
 1U-3382-8 LED UNIT