

SERVICE MANUAL



STEREO CASSETTE DECK

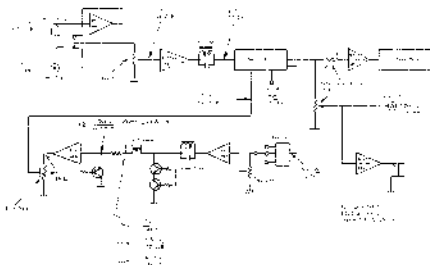
K-240



Contents

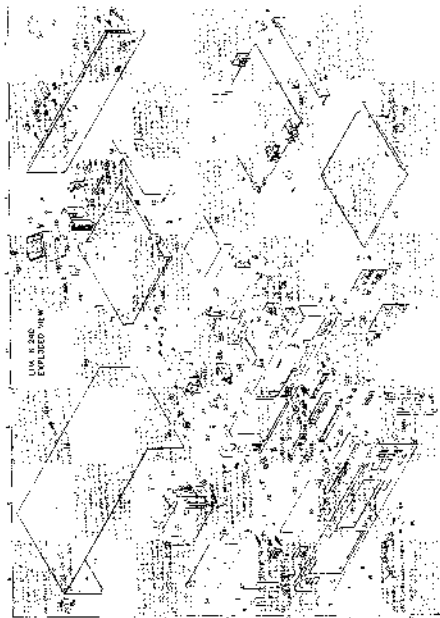
Level Diagram	7
Adjustment Location	2
Adjustment Procedure	3-7
Exploded View (Mechanical Parts List)	8
Exploded View (Mechanical Parts List)	8
Packing Material Parts List	8
Main PCB Parts List	10-18
Connect Pin Parts List	18, 19
PL Mount PCB Parts List	17
New Board Switch Parts List	18
Relay Switch PCB Parts List	18
Head Mount PCB Parts List	18
Motor Drive PCB Parts List	18
Memory Switch PCB Parts List	18
Indicator PCB Parts List	18
Power Supply PCB Parts List	18
Panel Control PCB Parts List	18
Schematic Diagram(A)	20
Schematic Diagram(B)	21
III: Handling Guide	22
Dimensional Data & Specifications	23

Level Diagram



Step	Description	Date	Attorney or Firm	City and State	Comments
1	Plan drafted at Washington	1955 June 20 at New York, NY	WVH Law Firm, Inc. New York, NY	NY, NY	See Exhibit A
2		1955 Sept. 20 at Cocke, MD	WVH Law Firm, Inc. New York, NY	NY, NY	See Exhibit B
3		1955 Sept. 20 at Cocke, MD	WVH Law Firm, Inc. New York, NY	NY, NY	See Exhibit C
4	Plans filed at Washington	1955 Oct. 10 at New York, NY	WVH Law Firm, Inc. New York, NY	NY, NY	See Exhibit D
5	Received from Washington and copies	1955 Oct. 10 at New York, NY	WVH Law Firm, Inc. New York, NY	NY, NY	See Exhibit E
6		1955 Oct. 10 at New York, NY	WVH Law Firm, Inc. New York, NY	NY, NY	See Exhibit F
7		1955 Oct. 10 at New York, NY	WVH Law Firm, Inc. New York, NY	NY, NY	See Exhibit G
8		1955 Oct. 10 at New York, NY	WVH Law Firm, Inc. New York, NY	NY, NY	See Exhibit H
9		1955 Oct. 10 at New York, NY	WVH Law Firm, Inc. New York, NY	NY, NY	See Exhibit I
10		1955 Oct. 10 at New York, NY	WVH Law Firm, Inc. New York, NY	NY, NY	See Exhibit J
11	Final check preparation & review before filed	1955 Oct. 10 at New York, NY	WVH Law Firm, Inc. New York, NY	NY, NY	See Exhibit K

Exploded View



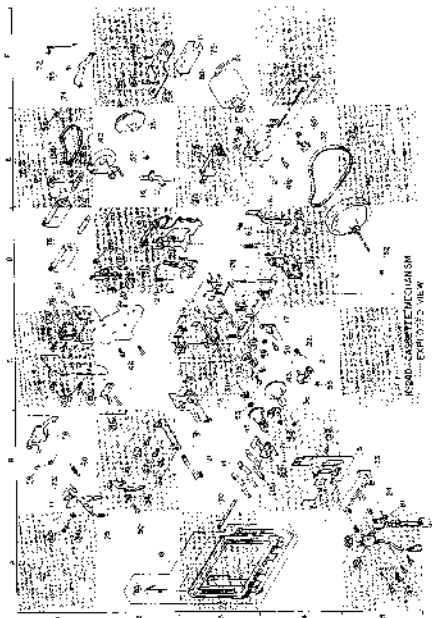
L1K K 240
EXPLODED VIEW

K 5240

Explodep View Parts List

Asm	Symbol	Stock No	Description	Qty	Stock No	Stock No	Description
A5		44071114F01	Panel, Front	F2	21	01781900F13	Ass'y, TL Water PCB
A5	2	02445559F04	Frame, Left	B5	45	45A322AF31	Wash, Assy
B5	3	45A204AF01	Wash, Left	24	36	01731300F34	Ass'y, Wash Pt. 1 PCB
B4B5	4	41A45552F01	Tray, Case	23	47	2105221F02	Chassis, Bottom
A5	3	20A44282F02	Wash, Right	02B5	48	07A514AF01	Spacer, Side
A5	3	61A365AF01	Chassis, Inner Assy	B5	48	2105A82F01	Chassis, Side
A4A7	2	21A57123F01	Bracket, Gun Frame	06	58	41A414AF01	Lens, Indicator
A4	3	01B5623F01	Frame, Side Panel	G2	32	01961282F02	Ass'y, Control PCB
B4	4	01A61152F01	Frame, Push Knob	C4	32	025A4282AF0	Grind T-Two W/2's
B5	10	22B44522B04	Part, Latch	A4	34	01251182F01	Crystal, Gun
B6	11	22B41140F3	ESC, Latch, No Assy	E1	35	22760034F01	Trans, Power
B6	12	42A52191F31	ESC, Latch, No Assy	ELG1	35	74460028F01	Ass'y, Fax Runner
B5	15	21961900F04	Ass'y, Knob, Left	F2	37	8775635F02	Master
B4	14	22B57114F31	Knob, Control	H2	39	13276235F01	Cover, Rear
C2	17	22B57114F31	Spacer, Knob Control B	K1	39	72441614F01	Lug
C2	17	22B57114F31	Bracket, Slide Volume	E2	91	32700975F01	Score AC
C2	17	18722424F01	Volume, Slide 20K	H2	62	32700975F01	Case Set/Serie/22K, 20K
ASAS	18	025408125501	Screw, M2x4			22188048F33	Case SW (L), GS41 1U
CLB1	18	025408125501	Screw, M2x4			20788704F33	Case SW - PG1, 40
B4	28	025408125501	Screw, M2x4	D2	64	135A1121F31	Cover, Top
B5	4	01651222F01	Control, Menu	01F1	68	01783015019	Screw, M4x8
A4	22	22C41214AF01	Chassis, Front	04	68	01951500F31	Ass'y, Washer PCB
C5	23	01961932AF01	Ass'y, Indicator PCB	C4	68	01961800F53	Ass'y, Wash, Scan
C4	24	40745501F02	Switch, Power	F05	68	025A3328207	Grind TPD W/2's
C4	25	43732125F01	Switch, Gun 1-150-301	F1	69	15050422F01	Cover, Battery
B5	25	26A53653F02	Knob, Rev. (R)	C5	72	41B57122F01	Spacer, Ass'y Control B
ASG1	27	05A33611G12	Screw, M2x6	B5	71	42A56522F01	Bracket, Power
A5A7	28	14552016F32	Indicator SW A7	C1	72	42A57222F01	Panel, Control
ESG1	29	025408125501	Screw, M2x4	G2	74	87857155F01	Br., PCL, Counter
ESG1	30	82B41725J22	Panel, Play	F2	34	23787205F01	Panel, Phone
B4	31	22B41725J22	Panel, Play	B3	25	32421503F02	Ass'y, Wash SW
A5	4	22B51023F02	Knob, Rotary	B5	26	23A5114AF01	Frame, Push SW
B5	4	82A41202B15	Knob, Load	B5	27	346A1121F02	Knob, Wash Scan
D5	3	22A41202B14	Knob, Load	C5	28	93C4C140J21	Screw, M2.5x4
B4	35	01961882F25	Ass'y, Rotary SW PCB	F3	25	22A57122F01	Knob, Push 'A'
B5	36	43A41220F11	Knob, Load	E1	21	24A57140F03	Knob, Push 'B1'
C7	22	01961932AF01	Ass'y, Key, Back SW	C6	21	24B5114AF01	Knob, Music Scan
B4	28	64A5115AF01	Panel, Back	A7	14	15A57222F01	Panel, Display
B2	23	01961932AF01	Ass'y, Back, PLATEXX	C7	15	01B55524F02	Frame, Panel Side
B4	42	07C37182F01	Frame, Water	G2	25	01960222F01	Ass'y, Gun
C4	41	01961932AF01	Ass'y, Water L4	A, C1	49	019A0322J07	Screw, M4x12
C5	42	01961932AF01	Ass'y, Water R4	C2	81	01961932AF01	Ass'y, Memory SW
G4	43	01962221F01	Tube, Control	F1E3	91	02540012614	Screw, B2x7

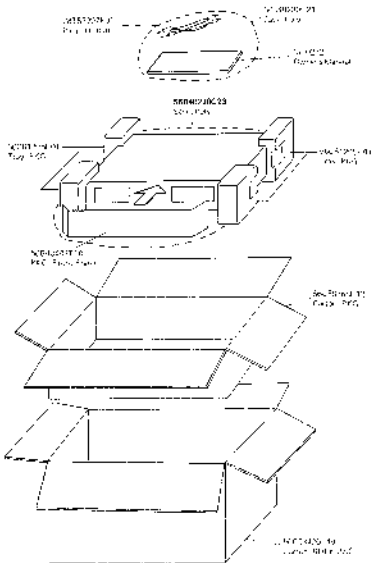
Exploded View (Mechanism)



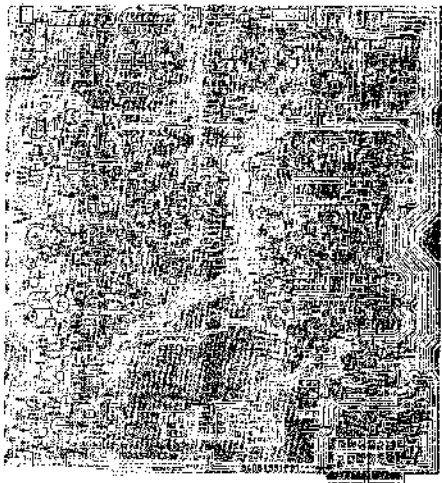
Exploded View (Mechanism) Parts List

Item	Qty	Part No.	Description	Item	Qty	Part No.	Description
21	1	FC11-19	Body Cap	12	3	FK110-11	Body Catch
22	2	FC15-15	Body Plug Pins	13	25	FC22-22B	Body Take Up Pin
23	2	FC15-19	Body Lock Washers	14	30	FK47-11	Body Catch
24	2	FC15-11	Body Pin	15	2	FK49-9	Body Pin
25	5	FC12-22A	Body Hand Release Spring	16-17	4	FC114-5	Body W/Washer
26	6	FC11P-11	Body Axle	18	3	FC112-5	Body Pin
27	7	FC247-12	Diaphragm Motor	19	4	FC142-10	Body Pin
28	5	FK243-17	Diaphragm Bumper	20	49	FC141-10	Washer, Oil Shim
29	7	FK249-15	Diaphragm Gasket	21-22	31	FK254-10	Body Pin
30	7	FK252-11	Upper Spring	23	21	FK112-4B	Spring, Top Pin
31	11	FK256-11	Lower Spring	24	5	FC111-14	Washer, Poly
32	7	FK253-10	Body FF Spring	25	15	FC111-9	Washer, Poly
33	7	FK258-12	Body Cylinder	26	5	FC112-4	Washer, Poly
34	5	FK261-11	Body Barrel	27-28	12	FK117-2	Washer, Lock
35	15	FK263-14	Release Guide	29	18	FC112-15	Washer, Lock
36	7	FK113-11	Arm, Plug Spring	30	1	GG110-11	Spring, Top Tee
37	17	FK269-10	Block, Cassette	31	16	FK110-4	Lower Brake
38	4	FK270-10	Block, Outer Assy	32	16	FK110-4	Upper Brake
39	9	FK251-11	Spring, Cassette	33	16	FK110-11	Spring, Arm Lock
40	20	FK272-12	Spring, Assort	34	11	FK118-4	CR, Lock Pin
41	21	FK265-11	Spring, Door	35	62	FK11A-10	CR, Spring Lock, Pin
42	22	FK267-14	Spring, Foot Roller	36	62	FC118-10	Diaphragm, Solenoid
43	23	FK116-11	Spring, Ball Solenoid	37	64	FK115-11	Spring, Top Tee
44	24	FK273-11	Spring, Arm, L	38	65	FK115-8	Spring, Dist
45	25	FK274-11	Spring, Arm, R	39	66	FK115-7	Spring, Arm
46	26	FK275-13	Spring, Rear Assy	40-41	67	FK116-11	Spring, Arm
47	27	FK276-11	Spring, Pin, L	42	69	FK276-7	Arm, "M"
48	28	FK12K-11	Spring, Pin, Shoulder Arm	43	70	FC287-10	Scale, IA
49	29	FK277-12	Spring, Head Base	44	71	FK111-15	Ring, E
50	30	FK278-10	Spring, Head Base, Hold	45	72	FK117-14	Diaphragm, Rod
51	31	FK279-14	Spring, Back Frame	46	73	FK124-10	Spring, Brace
52	32	FK281-12	Spring, Cylinder	47	74	FK125-10	Arm, Brass
53	33	FK282-11	Spring, Head	48	75	FK115-11	Spring, D
54	34	FK283-11	Spring, Head	49, 51	77	FK116-10	Spring, D
55	35	FK115-11	Body Pin	50	77	FK116-10	Spring, D
56	36	FK154-14	Gear, Idler	51	78	FC112-11	Gear, SW
57	37	FK262-11	Ball, Main	52	79	FC112-11	Gear, SW
58	38	FK264-11	Ball, Sub	53	80	FC24-033	Body, Motor
59	39	FK265-11	Max. Cylinder	54	81	FC25-138	Head, MP
60	40	FK267-11	Body Cylinder	55	82	FC21-032	Head, L/SW
61	41	FK119-11	Body Pin	56	83	FC110-12	Pin, Pin

Packing Material Parts List



Master PCB Parts List



Master Board Parts List

Symbol No.	Stock No.	Description	Symbol No.	Stock No.	Description
(IC's)					
JN1	02177745F01	PLUG, PHOTOP 161	Q00	487442770F05	25C1815-Y GR
JN11	02150375F01	M.C.	Q06	487442770F05	25C1815-Y GR
JN4	02150375F01	M.C.	Q46	48757205F01	25C1807-S T
Cap. DSC's					
F501	24T50323F01	Cap. 050	Q07	487430150F01	25C1807-S T
Def.					
L31	24T47741F01	Def.4	Q08	487410150F01	25C1807-S T
L27	24T47741F01	Def.1	Q91	48743525F05	25C1815-Y GR
L80	2424142010	4000uF	Q92	48743525F05	25C1815-Y GR
L82	2424142010	4000uF	Q94	48743525F05	25C1815-Y GR
L83	24T44495F01	20uF	Q96	48743525F05	25C1815-Y GR
L84	24T44495F01	20uF	Q99	48743525F05	25C1815-Y GR
Diodes					
DR1	487411220F01	Phot.SIL. 20ay	Q09	48743525F05	25C1815-Y GR
DR2	487411220F01	Phot.SIL. chya	Q11	48743525F05	25C1815-Y GR
Variable Resistor					
VR301	16752946F01	22kΩ	Q12	48743525F05	25C1815-Y GR
VR32	16752946F05	22kΩ	Q13	48743525F05	25C1815-Y GR
VR40	16752946F01	1K Ω	Q14	48743525F05	25C1815-Y GR
VR501	16752946F01	47kΩ	Q15	48743525F05	25C1815-Y GR
VR52	16752946F01	47kΩ	Q17	48743525F05	25C1815-Y GR
VR511	16752946F01	100kΩ	Q19	48743525F05	25C1815-Y GR
VR53	16752946F01	100kΩ	Q20	48743525F05	25C1815-Y GR
VR55	16R406643E7	100-100	Q21	48743525F05	25C1815-Y GR
VR56	16R406643E7	100-10	Q24	48743525F05	25C1815-Y GR
VR57	16R406643E7	1k-0	Q25	48743525F05	25C1815-Y GR
VR58	16752946F01	2.2kΩ	Q26	48743525F05	25C1815-Y GR
ICs - 8 pins					
IC101	487416290F01	M.C.01	Q27	48743525F05	25C1815-Y GR
IC's					
IC31	91741511701	NPX 38K	Q28	48743525F05	25C1815-Y GR
IC32	91741511701	NPX 38K	Q29	48743525F05	25C1815-Y GR
Res.					
RJ1	657420170U16	Servo. T-1A	Q30	48743525F05	25C1815-Y GR
RJ2	657420170U16	Servo. T-1A	Q31	48743525F05	25C1815-Y GR
Resistor, Fusor					
FJ2	03T45548F01	No. res. Fusor	Q32	48743525F05	25C1815-Y GR
FJ3	03T45548F01	No. res. Fusor	Q33	48743525F05	25C1815-Y GR
IC's					
IC401	51732164F01	HA1208-C1	Q34	48743525F05	25C1815-Y GR
IC402	51732164F01	HA1208-C1	Q35	48743525F05	25C1815-Y GR
IC403	51732164F01	UPC866C	Q36	48743525F05	25C1815-Y GR
Transistor					
QT1	48743525F01	25C1815-Y GR	Q37	48743525F05	25C1815-Y GR
QT2	48743525F01	25C1815-Y GR	Q38	48743525F05	25C1815-Y GR
QT3	48743525F01	25C1815-Y GR	Q39	48743525F05	25C1815-Y GR
QT4	48743525F01	25C1815-Y GR	Q40	48743525F05	25C1815-Y GR
QT5	48743525F01	25C1815-Y GR	Q41	48743525F05	25C1815-Y GR
QT6	48743525F01	25C1815-Y GR	Q42	48743525F05	25C1815-Y GR
QT7	48743525F01	25C1815-Y GR	Q43	48743525F05	25C1815-Y GR
QT8	48743525F01	25C1815-Y GR	Q44	48743525F05	25C1815-Y GR
QT9	48743525F01	25C1815-Y GR	Q45	48743525F05	25C1815-Y GR
QT10	48743525F01	25C1815-Y GR	Q46	48743525F05	25C1815-Y GR
QT11	48743525F01	25C1815-Y GR	Q47	48743525F05	25C1815-Y GR
QT12	48743525F01	25C1815-Y GR	Q48	48743525F05	25C1815-Y GR
QT13	48743525F01	25C1815-Y GR	Q49	48743525F05	25C1815-Y GR
QT14	48743525F01	25C1815-Y GR	Q50	48743525F05	25C1815-Y GR
QT15	48743525F01	25C1815-Y GR	Q51	48743525F05	25C1815-Y GR
QT16	48743525F01	25C1815-Y GR	Q52	48743525F05	25C1815-Y GR
QT17	48743525F01	25C1815-Y GR	Q53	48743525F05	25C1815-Y GR
QT18	48743525F01	25C1815-Y GR	Q54	48743525F05	25C1815-Y GR
QT19	48743525F01	25C1815-Y GR	Q55	48743525F05	25C1815-Y GR
QT20	48743525F01	25C1815-Y GR	Q56	48743525F05	25C1815-Y GR
QT21	48743525F01	25C1815-Y GR	Q57	48743525F05	25C1815-Y GR
QT22	48743525F01	25C1815-Y GR	Q58	48743525F05	25C1815-Y GR
QT23	48743525F01	25C1815-Y GR	Q59	48743525F05	25C1815-Y GR
QT24	48743525F01	25C1815-Y GR	Q60	48743525F05	25C1815-Y GR
QT25	48743525F01	25C1815-Y GR	Q61	48743525F05	25C1815-Y GR
QT26	48743525F01	25C1815-Y GR	Q62	48743525F05	25C1815-Y GR
QT27	48743525F01	25C1815-Y GR	Q63	48743525F05	25C1815-Y GR
QT28	48743525F01	25C1815-Y GR	Q64	48743525F05	25C1815-Y GR
QT29	48743525F01	25C1815-Y GR	Q65	48743525F05	25C1815-Y GR
QT30	48743525F01	25C1815-Y GR	Q66	48743525F05	25C1815-Y GR
QT31	48743525F01	25C1815-Y GR	Q67	48743525F05	25C1815-Y GR
QT32	48743525F01	25C1815-Y GR	Q68	48743525F05	25C1815-Y GR
QT33	48743525F01	25C1815-Y GR	Q69	48743525F05	25C1815-Y GR
QT34	48743525F01	25C1815-Y GR	Q70	48743525F05	25C1815-Y GR
QT35	48743525F01	25C1815-Y GR	Q71	48743525F05	25C1815-Y GR
QT36	48743525F01	25C1815-Y GR	Q72	48743525F05	25C1815-Y GR
QT37	48743525F01	25C1815-Y GR	Q73	48743525F05	25C1815-Y GR
QT38	48743525F01	25C1815-Y GR	Q74	48743525F05	25C1815-Y GR
QT39	48743525F01	25C1815-Y GR	Q75	48743525F05	25C1815-Y GR
QT40	48743525F01	25C1815-Y GR	Q76	48743525F05	25C1815-Y GR
QT41	48743525F01	25C1815-Y GR	Q77	48743525F05	25C1815-Y GR
QT42	48743525F01	25C1815-Y GR	Q78	48743525F05	25C1815-Y GR
QT43	48743525F01	25C1815-Y GR	Q79	48743525F05	25C1815-Y GR
QT44	48743525F01	25C1815-Y GR	Q80	48743525F05	25C1815-Y GR
QT45	48743525F01	25C1815-Y GR	Q81	48743525F05	25C1815-Y GR
QT46	48743525F01	25C1815-Y GR	Q82	48743525F05	25C1815-Y GR
QT47	48743525F01	25C1815-Y GR	Q83	48743525F05	25C1815-Y GR
QT48	48743525F01	25C1815-Y GR	Q84	48743525F05	25C1815-Y GR
QT49	48743525F01	25C1815-Y GR	Q85	48743525F05	25C1815-Y GR
QT50	48743525F01	25C1815-Y GR	Q86	48743525F05	25C1815-Y GR
QT51	48743525F01	25C1815-Y GR	Q87	48743525F05	25C1815-Y GR
QT52	48743525F01	25C1815-Y GR	Q88	48743525F05	25C1815-Y GR
QT53	48743525F01	25C1815-Y GR	Q89	48743525F05	25C1815-Y GR
QT54	48743525F01	25C1815-Y GR	Q90	48743525F05	25C1815-Y GR
QT55	48743525F01	25C1815-Y GR	Q91	48743525F05	25C1815-Y GR
QT56	48743525F01	25C1815-Y GR	Q92	48743525F05	25C1815-Y GR
QT57	48743525F01	25C1815-Y GR	Q93	48743525F05	25C1815-Y GR
QT58	48743525F01	25C1815-Y GR	Q94	48743525F05	25C1815-Y GR
QT59	48743525F01	25C1815-Y GR	Q95	48743525F05	25C1815-Y GR
QT60	48743525F01	25C1815-Y GR	Q96	48743525F05	25C1815-Y GR
QT61	48743525F01	25C1815-Y GR	Q97	48743525F05	25C1815-Y GR
QT62	48743525F01	25C1815-Y GR	Q98	48743525F05	25C1815-Y GR
QT63	48743525F01	25C1815-Y GR	Q99	48743525F05	25C1815-Y GR
QT64	48743525F01	25C1815-Y GR	Q100	48743525F05	25C1815-Y GR

Symbol No.	Block No.	Description	Quantity	Unit	Work No.	Description	
Z0001	48740.50236	421C-2			C207	22540657F13	2.31uF
Z0002	48740.50405	421C-2			C208	22540657F13	2.31uF
Z0003	48740.50572	421R-2			C209	22540657F16	4.7uF
Z0004	48740.50739	421R-2			C200	22540657F16	4.7uF
Resistor							
C181	22540557F28	10k	50v	EI	C110	48540657F16	2.31uF
C182	22541.98057	100k	50v	EI	C155	22540657F21	3.31uF
C183	22541.98207	47k	50v	EI	C156	22540657F21	3.31uF
C184	22541.98357	22k	50v	EI	C158	22540657F21	3.31uF
C185	22541.98507	22k	27v	EI	C159	22540657F21	3.31uF
C186	22541.98657	47k	17v	EI	C157	48540657F15	2.31uF
C187	22540557F14	100k	10v	EI	C176	48540657F15	2.31uF
C188	48755263F45	47k		Ca	C609	22540657F20	1uF
C222	48755263F45	47k		Ca	C640	22540657F20	1uF
C223	22542219F05	4.7uF	25v	EI	C241	22540657F28	1uF
C244	22542478F04	4.7uF	25v	EI	C242	22540657F28	1uF
C245	48755263F45	47k		Ca	C243	22540657F20	10uF
C246	48755263F45	47k		Ca	C244	22540657F10	10uF
C247	48755263F28	47k		Ca	C605	48755263F27	22uF
C248	48755263F28	47k		Ca	C606	48755263F27	22uF
C249	22540557F14	100k	10v	EI	C247	48540657F10	500pF
C250	22540557F14	100k	17v	EI	C248	48540657F10	500pF
C251	48755263F07	2200pF		M2	C249	48755263F49	1000pF
C252	48755263F07	2200pF		M2	C250	48755263F49	1000pF
C253	22540557F12	10k	10v	EI	C251	48755263F27	22uF
C254	22540557F13	10k	10v	EI	C252	48755263F27	22uF
C255	48755263F45	100k		Ca	C253	48540657F20	10uF
C256	48755263F45	100k		Ca	C254	48540657F20	10uF
C257	22540557F13	10k	27v	EI	C255	48540657F26	200uF
C258	22540557F13	10k	17v	EI	C256	48540657F26	200uF
C259	48755263F14	1.33k		M2	C257	48755263F24	4.82uF
C260	48755263F14	1.33k		M2	C258	48755263F24	4.82uF
C261	22540557F20	100k	10v	EI	C259	22540657F16	4.7uF
C262	48755263F45	100k		Ca	C260	22540657F16	4.7uF
C263	48755263F45	100k		Ca	C261	22540657F19	0.15uF
C264	22540657F19	4.7uF	25v	EI	C262	22540657F19	0.15uF
C265	22540657F19	4.7uF	27v	EI	C263	22540657F21	0.47uF
C266	22540657F13	10k	10v	EI	C264	22540657F21	0.47uF
C267	22540657F13	10k	10v	EI	C265	22540657F29	75uF
C268	22540657F20	47uF	10v	EI	C266	22540657F29	75uF
C269	22540657F13	4.7uF	55v	EI	C267	48540657F24	4800pF
C270	22540657F13	4.7uF	25v	EI	C268	48540657F24	4800pF
C271	22540657F13	10k	10v	EI	C269	22540657F20	10uF
C272	22540657F13	10k	17v	EI	C270	22540657F20	10uF
C273	22540657F13	10k	17v	EI	C271	22540657F20	10uF
C274	22540657F52	22k	17v	EI	C272	22540657F29	2.2uF
C275	22540657F52	22k	17v	EI	C273	22540657F29	2.2uF
C276	22540657F13	10k	17v	EI	C274	22540657F29	2.2uF
C277	22540657F13	10k	10v	EI	C275	48755263F22	4uF
C278	22540657F24	22k	25v	EI	C276	48755263F22	4uF
C279	22540657F24	22k	25v	EI	C277	22540657F29	220uF
C280	22540657F20	10k	50v	EI	C278	22540657F29	220uF
C281	22540657F20	10k	50v	EI	C279	48540657F24	0.0025uF
C282	22540657F20	10k	50v	EI	C280	48540657F24	0.0025uF
C283	22540657F20	10k	50v	EI	C281	48755263F16	220k
C284	22540657F13	10k	17v	EI	C282	48755263F16	220k
C285	22540657F13	10k	17v	EI	C283	48755263F16	220k
C286	22540657F13	10k	17v	EI	C284	48755263F16	220k

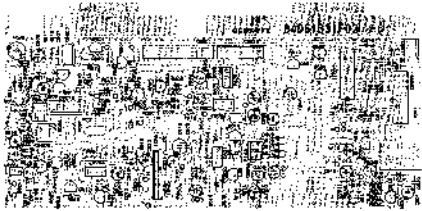
K-240

Symbol No.	Stock No.	Description	Symbol No.	Stock No.	Description				
Q324	06553665F32	5.1K	L70W	Rd	4436	0E553665F05	10K	L70W	Rd
Q325	06553665F33	15K	L70W	Rd	4447	0E553665F06	10K	L70W	Rd
Q326	06553665F37	15K	L70W	Rd	4447	0E553665F05	1K	L70W	Rd
Q327	06553665F41	10K	L70W	Rd	4444	0E553665F02	1K	L70W	Rd
Q328	06553665F41	10K	L70W	Rd	4501	0E553665F08	50K	L70W	Rd
Q329	06553665F36	27K	L70W	Rd	4502	0E553665F02	50K	L70W	Rd
Q330	06553665F36	27K	L70W	Rd	4503	0E553665F01	30K	L70W	Rd
Q341	06553665F24	6.2K	L70W	Rd	4504	0E553665F01	30K	L70W	Rd
Q342	06553665F44	6.2K	L70W	Rd	4507	0E553665F17	120K	L70W	Rd
Q343	06553665F17	60K	L70W	Rd	4508	0E553665F12	120K	L70W	Rd
Q344	06553665F15	62K	L70W	Rd	4509	0E553665F04	20K	L70W	Rd
Q345	06553665F11	100	L70W	Rd	4548	0E553665F04	20K	L70W	Rd
Q346	06553665F41	100	L70W	Rd	4549	0E553665F07	50K	L70W	Rd
Q347	06553665F36	14	L70W	Rd	4550	0E553665F07	50K	L70W	Rd
Q348	06553665F36	14	L70W	Rd	4551	0E553665F05	10K	L70W	Rd
Q349	06553665F17	5.1K	L70W	Rd	4552	0E553665F02	10K	L70W	Rd
Q350	06553665F35	5.1K	L70W	Rd	4553	0E553665F09	10K	L70W	Rd
Q351	06553665F35	10K	L70W	Rd	4554	0E553665F02	10K	L70W	Rd
Q352	06553665F35	10K	L70W	Rd	4555	0E553665F10	10K	L70W	Rd
Q353	06553665F16	60K	L70W	Rd	4556	0E553665F10	10K	L70W	Rd
Q354	06553665F10	60K	L70W	Rd	4557	0E553665F17	60K	L70W	Rd
Q355	06553665F11	4.7K	L70W	Rd	4558	0E553665F10	60K	L70W	Rd
Q356	06553665F11	4.7K	L70W	Rd	4559	0E553665F10	60K	L70W	Rd
Q357	06553665F30	240	L70W	Rd	4561	0E553665F11	10K	L70W	Rd
Q358	06553665F30	240	L70W	Rd	4562	0E553665F06	47K	L70W	Rd
Q359	06553665F36	50K	L70W	Rd	4563	0E553665F07	47K	L70W	Rd
Q360	06553665F36	50K	L70W	Rd	4564	0E553665F09	50K	L70W	Rd
Q361	06553665F46	70K	L70W	Rd	4564	0E553665F08	50K	L70W	Rd
Q362	06553665F19	20K	L70W	Rd	4565	0E553665F12	2.7K	L70W	Rd
Q363	06553665F17	8.2K	L70W	Rd	4566	0E553665F02	10K	L70W	Rd
Q364	06553665F37	8.2K	L70W	Rd	4566	0E553665F02	10K	L70W	Rd
Q365	06553665F34	6.2K	L70W	Rd	4566	0E553665F05	10K	L70W	Rd
Q366	06553665F34	6.2K	L70W	Rd	4567	0E553665F04	13K	L70W	Rd
Q367	06553665F12	62K	L70W	Rd	4567	0E553665F44	130	L70W	Rd
Q368	06553665F17	20K	L70W	Rd	4567	0E553665F05	10K	L70W	Rd
Q369	06553665F35	1K	L70W	Rd	4568	0E553665F05	10K	L70W	Rd
Q370	06553665F35	1K	L70W	Rd	4569	0E553665F03	100K	L70W	Rd
Q371	06553665F27	3.2K	L70W	Rd	4568	0E553665F02	30K	L70W	Rd
Q372	06553665F27	3.2K	L70W	Rd	4569	0E553665F02	30K	L70W	Rd
Q373	06553665F37	8.2K	L70W	Rd	4540	0E553665F02	30K	L70W	Rd
Q374	06553665F21	8.2K	L70W	Rd	4541	0E553665F20	100K	L70W	Rd
Q375	06553665F42	5.1K	L70W	Rd	4542	0E553665F27	100K	L70W	Rd
Q376	06553665F42	5.1K	L70W	Rd	4543	0E553665F15	10K	L70W	Rd
Q377	06553665F47	5.2K	L70W	Rd	4544	0E553665F19	10K	L70W	Rd
Q378	06553665F11	4.7K	L70W	Rd	4545	0E553665F28	10K	L70W	Rd
Q379	06553665F22	5.0K	L70W	Rd	4546	0E553665F32	10K	L70W	Rd
Q380	06553665F23	5.0K	L70W	Rd	4547	0E553665F05	10K	L70W	Rd
Q381	06553665F56	360	L70W	Rd	4548	0E553665F05	10K	L70W	Rd
Q382	06553665F59	360	L70W	Rd	4549	0E553665F04	10K	L70W	Rd
Q383	06553665F11	4.7K	L70W	Rd	4550	0E553665F04	10K	L70W	Rd
Q384	06553665F11	4.7K	L70W	Rd	4551	0E553665F01	2.2	L70W	Rd
Q385	06553665F55	70K	L70W	Rd	4552	0E553665F13	10	L70W	Rd
Q386	06553665F35	80K	L70W	Rd	4554	0E553665F17	10	L70W	Rd
Q387	06553665F12	20K	L70W	Rd	4555	0E553665F07	20K	L70W	Rd
Q388	06553665F12	20K	L70W	Rd	4556	0E553665F07	20K	L70W	Rd
Q389	06553665F55	330	L70W	Rd	4557	0E553665F07	40K	L70W	Rd
Q390	06553665F55	330	L70W	Rd	4558	0E553665F07	40K	L70W	Rd
Q391	06553665F29	11K	L70W	Rd					
Q392	06553665F29	11K	L70W	Rd					

5-740

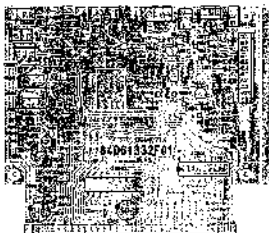
Symbol No.	Stock No.	Description	Symbol No.	Stock No.	Description
R553	16555065F97	1.2K	R5	R517	06555065F97
R554	16555065F97	22K	R6	R518	06555065F97
R561	16555065F97	4.7K	R7	R519	06555065F97
R562	16555065F97	22K	R8	R520	06555065F97
R571	16555065F97	2.7K	R9	R521	06555065F97
R572	16555065F97	3K	R10	R522	06555065F97
R581	16555065F97	1.2K	R11	R523	06555065F97
R582	16555065F97	10K	R12	R524	06555065F97
R591	16555065F97	22K	R13	R525	06555065F97
R592	16555065F97	22K	R14	R526	16555065F97
R601	16555065F97	22K	R15	R527	16555065F97
R602	16555065F97	22K	R16	R528	16555065F97
R611	16555065F97	22K	R17	R529	16555065F97
R612	16555065F97	47K	R18	R530	16555065F97
R613	06555065F97	10K	R19	R531	16555065F97
R614	06555065F97	10K	R20	R532	16555065F97

Control PCB Parts List



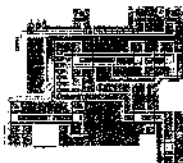
Symbol No.	Stock No.	Description	Symbol No.	Stock No.	Description
R201	43747114F01	D4348	Q27	43747114F01	2SC1815-Y, GP
R202	43747114F01	M5124	Q28	43747114F01	2SC1815-Y, GP
Q101	43747114F01	2SC1815-Y	Q29	43747114F01	2SC1815-Y, GP
Q201	43747114F01	2SC1815-Y	Q30	43747114F01	2SC1815-Y, GP
Q202	43747114F01	2SC1815-Y	Q31	43747114F01	2SC1815-Y, GP
Q203	43747114F01	2SC1815-Y, GP	Q32	43747114F01	2SC1815-Y, GP
Q204	43747114F01	2SC1815-Y, GP	Q33	43747114F01	2SC1815-Y, GP
Q205	43747114F01	2SC1815-Y, GP	Q34	43747114F01	2SC1815-Y, GP
Q206	43747114F01	2SC1815-Y, GP	Q35	43747114F01	2SC1815-Y, GP
Q207	43747114F01	2SC1815-Y, GP	Q36	43747114F01	2SC1815-Y, GP
Q208	43747114F01	2SC1815-Y, GP	Q37	43747114F01	2SC1815-Y, GP
Q209	43747114F01	2SC1815-Y, GP	Q38	43747114F01	2SC1815-Y, GP
Q210	43747114F01	2SC1815-Y, GP	Q39	43747114F01	2SC1815-Y, GP
Q211	43747114F01	2SC1815-Y, GP	Q40	43747114F01	2SC1815-Y, GP

FL Meter PCB Parts List



Symbol No.	Structure	Description	Symbol No.	Stock No.	Description				
Variables, Resistor			C309	23547657F21	100uf	25V	EL		
VR51L	18152046F17	874	CR10	21540657F21	100uf	25V	EL		
VR52L	18152046F12	424	CR16	21540657F26	47uf	35V	EL		
FL Meter			Resistor						
CR1	25752950F11	50P 100W25	R101	05550557E9	10K	1/8W	Rd		
CR2	21142876F11	4A220R	R102	05550557E9	10K	1/8W	Rd		
CR3L	51142826F11	4A220R	R103	05550557E9	430K	1/8W	Rd		
Transistor			R104	05550557E9	430K	1/8W	Rd		
CR6L	48542525F15	2SC1815-Y-G	R105	05550557E1	1.0K	1/8W	Rd		
CR6R	48542525F15	2SC1815-Y-G	R106	01550105711	1.0K	1/8W	Rd		
Diodes			R107	05550557E13	150W	1/2W	Pa		
CR11	48742887F11	5C100V	R108	05550557E14	150W	1/2W	Pa		
CR12	48742887F11	5C100V	R109	05541151750	3.3K	1/8W	Rd		
Diode, Diode			R110	0554C151750	3.3K	1/8W	Rd		
CR101	48742887F11	5C100V	R111	05550557E65	6.8K	1/8W	Rd		
Capacitor			R112	05550557E65	7.8K	1/8W	Rd		
CR1	25549657F10	10uf	10V	R113	05550557E23	220	1/8W	Rd	
CR2	21742657F10	10uf	10V	R114	05550557E49	220	1/8W	Rd	
CR3	21540657F17	10uf	25V	EL	R115	05550557E47	100	2W	Pa
CR34	21540657F17	10uf	25V	EL	R116	05550557E41	100	1/8W	Rd
CR5	25549657F17	10uf	25V	EL	R117	05550557E41	100	1/8W	Rd
CR6	25549657F17	10uf	25V	EL	R118	05550557E41	100	1/8W	Rd
CR7	23742478F21	0.22uf	50V	EL	R119	06155175F21	220	1/8W	Rd
CR8	23742478F21	0.33uf	50V	EL					

Key Board Switch Parts List



Symbol No.	Part No.	Description
Switch		
5601	40744505F31	SW. MHD
5602	40744505F31	SW. MHD
5605	40744505F31	SW. MHD
5604	40744505F31	SW. MHD
5606	40744505F31	SW. MHD
5606	40744505F31	SW. MHD
5607	40744505F31	SW. MHD

Rotary Switch PCB Parts List



Symbol No.	Part No.	Description
Switch		
555	3775716F01	SRZ-S 6-4
Diode		
7636	48T44133101	MM16T4-XX
6639	48184433F01	MM16S4-XX
6640	48T4433F01	MM16T4-XX

Head Phone PCB Parts List



Symbol No.	Part No.	Description
3801	19F60075F01	Head Phone

Music Scan PCB Parts List



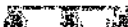
Symbol No.	Part No.	Description
Switch		
5660	40744505F01	SW. MHD
5616	40744505F01	SW. MHD

Memory Switch PCB Parts List



Symbol No	Stock No	Description
Switch		
	30T572E6701	SW Push 50102 A
Doc No		
P41	47T475151 DL	NA10015

Indicator PCB Parts List



Symbol No	Stock No	Description
Lamp		
PL617	55E43447303	Lamp Pilot
PL616	55E43447303	Lamp Pilot
PL615	55R41447303	Lamp Pilot

Power Supply PCB Parts List



Symbol No	Stock No	Description
Q101	48T5E031F01	250150-0 Q
Q102	48150021F01	250150-0 Q
Q103	48542525F15	250150-Y QR
Q104	48542525F15	250150-Y QR

Reed Switch PCB Parts List

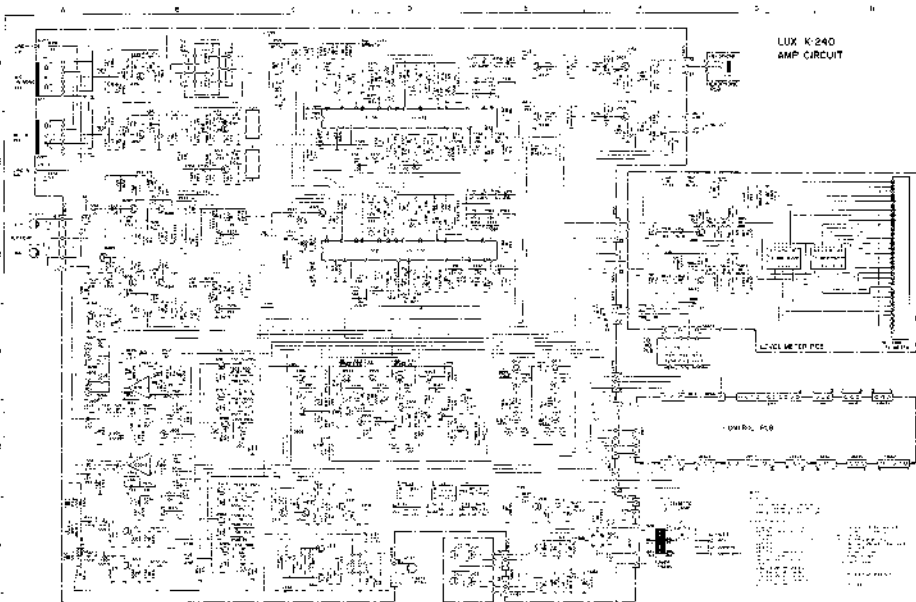


Symbol No	Stock No	Description
Switch		
	401470DA101	SW Reed

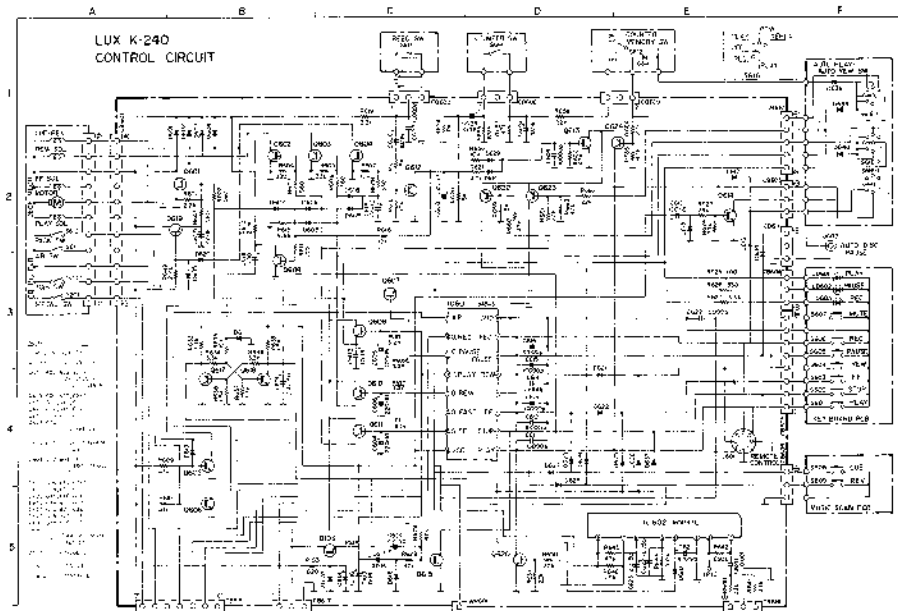
Remarks

Capacitor	μ	Electrolytic Capacitor
	50	Conrad, KA, Japan
	100	Ally, Canada
	10	Conrad, KA, Japan
	50	Electrolytic Capacitor
	100	Conrad, KA, Japan
	10	Ally, Canada
	100	Electrolytic Capacitor
	10	Conrad, KA, Japan
Resistor	100	Carbon Resistor
	10	Conrad, KA, Japan
	10	Conrad, KA, Japan

Schematic Diagram(A)



Schematic Diagram(B)



IC Handling Guide

HA12019 IC801, 802 (Stock No. 51T42626F01)

Fluorescent lamp driver IC (through-hole type)



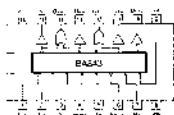
HA12008 01 IC301, IC302 (Stock No. 51T52160F01)

Drum driver IC (through-hole type)



RA643 IC601 (Stock No. 585AT110F01)

IC Control



μPC450B IC601 (Stock No. 51543471J02)



MS11435 IC602 (Stock No. 51T52052F01)

Motor driver

