

AKAI SERVICE MANUAL

(ADDITIONAL)

Use this additional service manual together with the previously published service manual for the AKAI GX-67 and DX-57 models.
For schematic diagrams and PC Boards, please refer to those provided for the GX-67 and DX-57 models.

STEREO CASSETTE DECK

MODEL GX-69
MODEL DX-59

SPECIFICATIONS

<p>Track System 4 track 2 channel Stereo</p> <p>Heads</p> <p>GX-69 Erase Head x 1 LC-OFC SGX Head for recording x 1 LC-OFC SGX Head for playback x 1</p> <p>DX-59 Erase Head x 1 Hard permalloy Head for recording x 1 Hard permalloy Head for playback x 1</p> <p>Motors Electronic speed controlled DC motor for capstan x 1 DC motor for reel drive x 1 DC motor for tape eject/loading x 1 (GX-69 only)</p> <p>Wow & Flutter 0.045 % (WRMS) 0.08 % (DIN)</p> <p>Tape winding time 80 sec. (C-60)</p> <p>Frequency response</p> <p>GX-69 Normal 15 Hz to 18,000 Hz ±3dB CrO₂ 15 Hz to 18,000 Hz ±3dB Metal 15 Hz to 21,000 Hz ±3dB</p> <p>DX-59 Normal 15 Hz to 17,000 Hz ±3dB CrO₂ 15 Hz to 17,000 Hz ±3dB Metal 15 Hz to 20,000 Hz ±3dB</p> <p>Total harmonic distortion .. 1.0 % (METAL tape)</p> <p>Input sensitivity/Impedance</p> <p>Line 70 mV / 47 k ohms</p>	<p>Output Level/Impedance</p> <p>Line 388 mV / 2 k ohms</p> <p>Headphones 1.3 mW (8 ohms)</p> <p>S/N ratio 57 dB (Measured via Metal tape with peak recording level)</p> <p>Dolby B type</p> <p>NR switch ON Improves up to 5 dB at 1 kHz 10 dB above 5 kHz</p> <p>Dolby C type</p> <p>NR switch ON Improves up to 15 dB at 500 Hz, 20 dB at 1 kHz to 10 kHz</p> <p>Power Requirements AC 220 V- 230 V, 50 Hz for Europe except U.K. AC 110 V- 120 V, 220 V-240 V, 50 / 60 Hz Convertible for other countries</p> <p>Power consumption 15 W</p> <p>Dimensions 425 (W) x 135 (H) x 151 (D) mm</p> <p>Weight</p> <p>GX-69 5.4 kg</p> <p>DX-59 5.3 kg</p> <hr/> <p>Standard accessories</p> <p>Connection cords x 2</p> <p>Remote control unit x 1</p> <p>Dry batteries R6 (AA) size x 2</p> <p>Operator's manual x 1</p>
--	---

0 dBs = 0.775 V

- * For improvement purposes, specifications and design are subject to change without notice.
- * Dolby noise reduction and HX Pro headroom extension manufactured under license from Dolby Laboratories Licensing Corporation. HX Pro originated by Bang & Olufsen.
- * "DOLBY", the double-D symbol and "HX Pro" are trademarks of Dolby Laboratories Licensing Corporation.

I. PARTS LIST

ATTENTION

1. When placing an order for parts, be sure to list the Part No., Model No. and the description of each part. Otherwise, the non-delivery of the part or the delivery of a wrong part may result.
2. Please make sure that Part No. is correct when ordering. If not, a part different from the one you ordered may be delivered.
3. Since the parts shown in Parts List of Preliminary Service Manual may have been the subject of changes, please use this Parts List for all future reference.

HOW TO USE THIS PARTS LIST

1. This Parts List lists those parts which are considered necessary for repairs. Other common parts, such as resistors and capacitors, are listed in the "Common List for Service Parts" from which these parts should be selected and stocked.
2. The Recommended Spare Parts List shows those parts in the Parts List which are considered particularly important for service.
3. Parts not shown in the Parts List and "Common List for Service Parts" will not in principle be supplied.
4. How to read the Parts List.

a) Mechanism Block

2. HEAD BASE BLOCK

Ref. No.	Part No.	Description
1	BH-T2023A320A	HEAD BASE BLOCK
2	HP-H2206A010A	HEAD R/P PR4-8FU C
3	ZS-477876	PAN20×03STL CMT
4	ZS-536488	BID20×08STL CMT
5	ZG-402895	SP CS ANGLE ADJUST

SP (Service Parts) Classification
This number corresponds with the individual parts index number in that figure.

b) PC Board

6. MAIN PC BOARD

Ref. No.	Part No.	Description
IC1	EI-324536	IC HD14049BP
IC2	EI-336801	IC MB8841-564M
C1A	EC-338399	C MMY V 223M 250AC [U, E, B, S]
C1B	EC-350949	C MMY V 223M 250DC [J]
C1C	EC-338397	C MMY V 223M 125AC [C, A]
X1	EI-318384	OSC X'TAL NC-18C

Symbols for primary destination
 [A] : AAL (U.S.A) [S] : SAA (Australia)
 [B] : BEAB (England) [U] : U/T (Universal Area)
 [C] : CSA (Canada)
 [E] : CEE (Europe) [V] : VDE (Germany)
 [J] : JPN (Japan) [Y] : Custom Version

SP (Service Parts) Classification
These reference symbols correspond with component symbols in the Schematic Diagrams.

The available PC Board Blocks are listed separately.

5. When Part No. is known, Parts Index at end of Parts List can be used to locate where that part is shown in Parts List by its Reference No. listed at right of Part No.

WARNING

△ (*) INDICATES SAFETY CRITICAL COMPONENTS. FOR CONTINUED SAFETY, REPLACE SAFETY CRITICAL COMPONENTS ONLY WITH MANUFACTURE'S RECOMMENDED PARTS.

AVERTISSEMENT

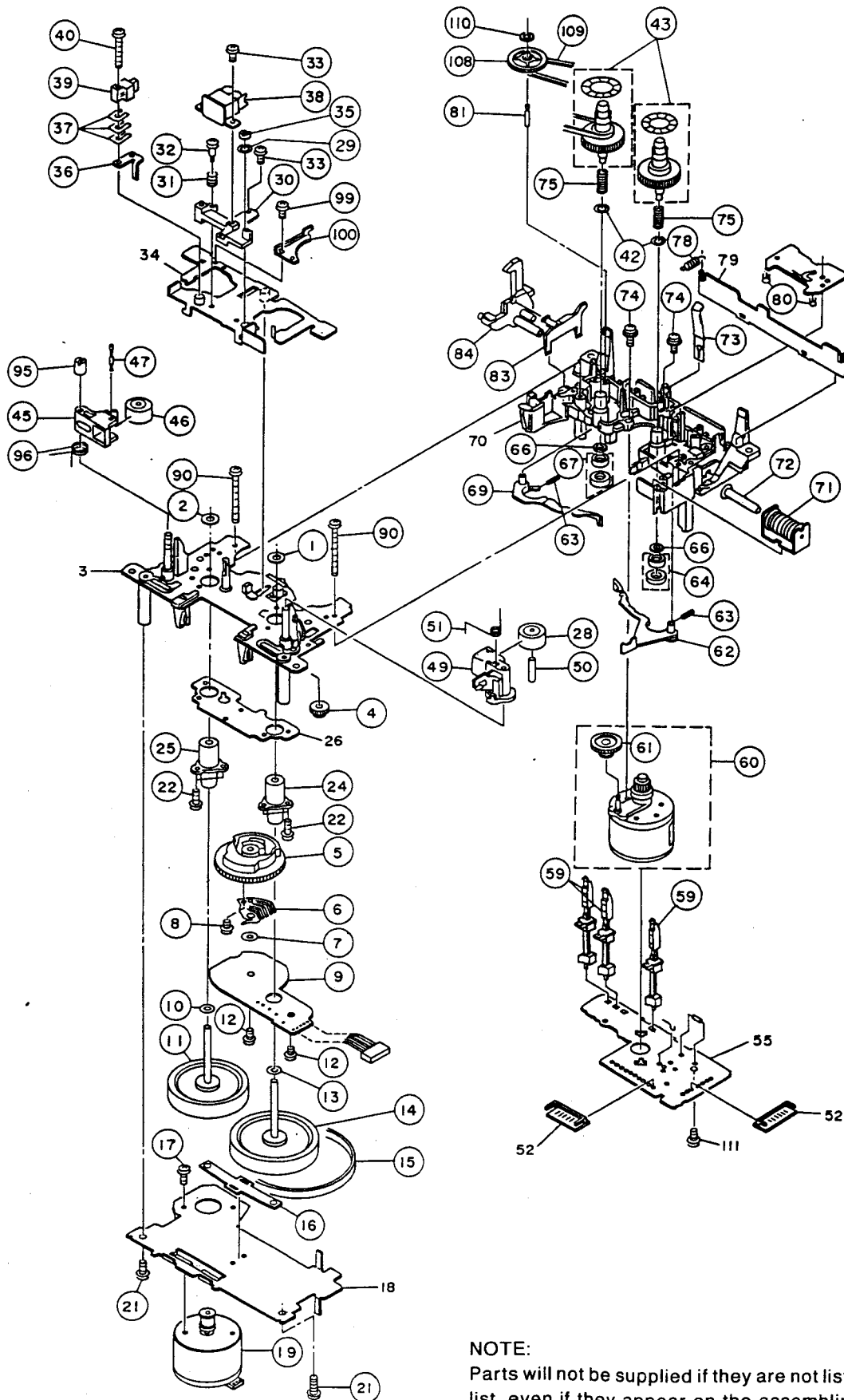
△ (*) IL INDIQUE LES COMPOSANTS CRITIQUES DE SÉCURITÉ. POUR MAINTENIR LE DEGRÉ DE SÉCURITÉ DE L'APPAREIL, NE REMPLACER QUE DES PIÈCES RECOMMANDÉES PAR LE FABRICANT.

1. RECOMMENDED SPARE PARTS

We suggest you to stock the following Recommended Spare Part items listed below since they can cover most of the routine service.

Ref. No.	Part No.	Description	Ref. No.	Part No.	Description
1	AX-D4004A010B	REMOCON BLK RC-G57 [DX-59]	52	ES-396610J	SW TACT SOR-122HS T05 [REW]
2	AX-D4004A010A	REMOCON BLK RC-G67 [GX-69]	53	ET-411995J	DETECTOR GP1U581X
3	BB-T2130A050B	MECHA BLK DX-57 [DX-59]	54	ET-396487J	TR DTA124XL T05
4	BB-T2130A050A	MECHA BLK GX-67 [GX-69]	55	ET-371075	TR DTA124XS
5	BM-405969J	MOTOR RF-370 PART [GX-69]	56	ET-373382	TR DTA143ZS
6	*BT-391561J	TRANS POW T2118 U [U]	57	ET-354415	TR DTA144ES
7	*BT-410582J	TRANS POW T2130 E [E]	58	ET-360399	TR DTC114TS
8	ED-307572	D SILICON H 1S5131	59	ET-354365	TR DTC114YS
9	ED-624903	D SILICON H 1S2473 [GX-69]	60	ET-354371	TR DTC124ES
10	*ED-511907	D SILICON 1N4002 100/1.0A	61	ET-354364	TR DTC143TS
11	ED-400221J	D ZENER H HZ11A3LFA F10	62	ET-405594J	TR DTC143ZL T05
12	ED-346574	D ZENER H HZ22-2L	63	ET-373391	TR DTC143ZS
13	ED-346598	D ZENER H HZ4 C2	64	ET-396488J	TR DTC144EL T05
14	*ED-346602	D ZENER H HZ5 B3	65	ET-354414	TR DTC144ES [GX-69]
15	ED-343410	D ZENER H HZ6A1L	66	ET-370310	TR DTC144TS
16	*ED-346525	D ZENER H HZ6A3L	67	ET-347738	TR 2SA1282A E,F F05
17	ED-351419	D ZENER H HZ7B3L	68	ET-364093	TR 2SA1283 E,F
18	ED-346536	D ZENER H HZ7C3L [GX-69]	69	ET-352726	TR 2SA1392 T,U
19	ED-346541	D ZENER H HZ9B2L	70	ET-389803J	TR 2SA933S R,S
20	*EF-358641	FUSE BET T 250V 800MA [E]	71	ET-400218J	TR 2SC1740S R,S
21	*EF-309387	FUSE TSC A 250V 1.00A [U]	72	ET-365394	TR 2SC3242A E,F,G F05
22	EH-370972	FILTER LC LP 370972	73	ET-378524J	TR 2SC3383 S,T,U
23	EI-367572	IC BA15218	74	ET-400741J	TR 2SC3708 T T05
24	EI-373980	IC BA15218N	75	ET-394554J	TR 2SD1379
25	EI-353421	IC BA6229 [GX-69]	76	ET-396072J	TR 2SD2159 V,W
26	EI-384868J	IC BU4030B	77	EV-405297J	VR RK14K12B0 SPL C1253X2 [GX-69]
27	EI-394573J	IC CXA1331S	78	EV-405298J	VR ROTARY RK11K1120 B102
28	EI-394574J	IC LA2000	79	EV-405300J	VR ROTARY RK11K1120 SP W254
29	EI-405498J	IC M50941-627SP 91DECK2 T2130	80	EV-405301J	VR ROTARY RK14K12B0 A503X2
30	EI-360043	IC M5220P	81	EV-405299J	VR ROTARY RK16312A0 A104X2
31	EI-310036	IC TC4066BP			
32	EI-373383	IC UPC1297CA			
33	*EI-377101	IC UPC7805HF			
34	EI-405327J	OSC CE CST6.00MGW 6.000MHZ			
35	EM-405274J1	IND FL CM1068C DOUBLE			
36	EO-361292	COIL FIX 1 RC875 682J [GX-69]			
37	EO-405355J	COIL FIX 3 E1222T472J 472J222J			
38	EO-389245J	COIL OSC 1 T2118 100.0KHZ			
39	EO-400766J	COIL OSC 1 T2128 (HX)-7 200KHZ [GX-69]			
40	EO-405296J	COIL OSC 1 T2130 (HX) 105KHZ [DX-59]			
41	EO-405356J	COIL TUN 1 105Z391S 105KHZ [DX-59]			
42	EO-405304J	COIL TUN 1 210Z181S [GX-69]			
43	*ER-320528	R FUSE H ERD2FC 1/4W 22R0G			
44	*ER-401039J	R FUSE V T05 ERD2FCV 1/4W 4R7J			
45	ES-405288J1	SW LEAF MSW18121MPJO [GX-69]			
46	ES-372912	SW LEAF SPPB21 01-2 [GX-69]			
47	ES-393376J	SW LEAF SPPB22 01-1 [GX-69]			
48	*ES-371104	SW PUSH SDDL1 01-1 [POWER SW]			
49	ES-405302J	SW PUSH SPUY32 3THROW N [DX-59]			
50	ES-405295J	SW PUSH SPUY42 4THROW N [GX-69]			
51	ES-370965	SW SLIDE SSSU02 1-01-03N			

MECHA BLOCK



NOTE:
 Parts will not be supplied if they are not listed in the parts list, even if they appear on the assembling illustrations with reference No.

2. MECHA BLOCK

Ref. No.	Part No.	Description
1	ZW-729545J	TW25
2	ZW-729440J	TW22
4	MZ-729441J	GEAR ASSIST
5	MZ-729442J	CAM
6	ES-729443J	SW ROTARY
7	ZW-729444J	WASHER 30X080X050 PSL
8	ZS-729445J	PAN 20X03
9	EA-732798J	PC CONTROL
10	ZW-732799J	WASHER
11	MI-732800J	FLYWHEEL
12	ZS-729449J	PAN 20X30
13	ZW-732801J	WASHER 26X047X050 PSL
14	MI-729453J	FLYWHEEL
15	MB-729451J	BELT CAPSTAN
16	MZ-729452J	HOLDER THRUST
17	ZS-729454J	PAN 26X03
19	BM-732802J	MOTOR CAPSTAN SHE2L55
21	ZS-729456J	SCREW TAPPING 26X08
22	ZS-729457J	ST PAN 20X08
24	MV-729458J	MAIN CASE (R)
25	MV-729459J	MAIN CASE (L)
28	MP-732803J	PINCH ROLLER
29	ZW-732819J	WASHER
30	HZ-732804J	BASE HEAD
31	ZG-729462J	SP AZIMUTH
32	MS-729463J	SHAFT
33	ZS-732805J	ST PAN 20X04
35	ZW-729466J	NUT ADJ
36	HZ-729467J	BASE E HEAD
37A	ZW-729468J	SPACER
37B	ZW-729465J	SPACER
37C	ZW-729546J	SPACER
38A	HR-H2411A010A	HEAD COMB RP4-10TG2 RP4-10TG2 [GX-69]
38B	HR-405284J	HEAD COMBO H2381 [DX-59]
39	HE-729469J	HEAD E 876-30-03
40	ZS-729470J	BID 20X12
42	ZW-732820J	WASHER
43	MT-732806J	REEL TABLE
45	ML-732807J	ARM PINCH ROLLER (S)
46	MP-732808J	PINCH ROLLER
47	MS-732809J	SHAFT PINCH ROLLER
49	ML-732810J	ARM PINCH ROLLER (R)
50	MS-729475J	SHAFT PINCH ROLLER
51	ZG-732811J	SP ARM PINCE ROLLER (R)
59	ES-729477J	LEAF SW
60	BM-732812J	MOTOR REEL PART SGE09014
61	MZ-729479J	GEAR IDLER
62	ML-729480J	LEVER ASSIST (A)
63	ZG-732813J	SP LEVER ASSIST
64	MR-729482J	PULLEY BRAKE (T) PART (WH)
66	ZW-729483J	WASHER 26X055X013 (PSL)
67	MR-729484J	PULLEY BRAKE (S) PART (BK)
69	ML-732814J	LEVER ASSIST (B)
71	EP-729487J	SOLENOID
72	MS-729488J	SHAFT SOLENOID
73	ZG-732815J	SP PLATE CASSETTE HOLDER [DX-59]
74	ZS-729490J	SCREW SPECIAL 26X016
75	ZG-729491J	SP REEL TABLE
78A	ZG-732816J	SP PULL CASSETTE PLATE [GX-69]
78B	ZG-729494J	SP PULL CASSETTE PLATE [DX-59]
80	ET-729496J	TR PHOTO NJL5161KF1 B
81	MS-729497J	SHAFT PULLEY
83	ML-729498J	LEVER
84	ML-729499J	LEVER EJECT
90	ZS-729500J	PAN 26X30
95	ZS-729501J	SCREW ADJ ARM PINCH ROLER
96	ZG-729502J	SP PINCH ROLER (S)
99	ZS-729503J	PAN 20X025
100	MZ-729504J	STOPPER
108	MR-729505J	PULLEY PART
109	MB-732817J	BELT
110	ZW-729507J	WASHER

3. P.C BOARD BLOCK

Ref. No.	Part No.	Description
1A	BA-T2130A020B	PC (#) PREAMP BLK GX-67 (U) [U,E] [GX-69]
1B	BA-T2130A020E	PC (#) PREAMP BLK DX-57 (U) [U,E] [DX-59]
2A	BA-T2130A030A	PC (#) SYSCON BLK GX-67 [GX-69]
2B	BA-T2130A030B	PC (#) SYSCON BLK DX-57 [DX-59]

PC (#) PRE AMP BLK CONSISTS OF FOLLOWING P.C BOARDS.

- PRE AMP P.C BOARD
- HEAD PHONE P.C BOARD
- POWER SW P.C BOARD

PC (#) SYSCON BLK CONSISTS OF FOLLOWING P.C BOARDS.

- SYSCON P.C BOARD
- TIMER SW P.C BOARD
- EJECT SW P.C BOARD (GX-69)

4. PRE AMP P.C BOARD

Ref. No.	Part No.	Description
C801	EC-364978	C EC V CUT SME 102M 16.0DC
C802	EC-364978	C EC V CUT SME 102M 16.0DC
C807A	EC-363490	C EC V CUT SME 222M 16.0DC [GX-69]
C807B	EC-367241	C EC V CUT SME 472M 16.0DC [DX-59]
C811	EC-375358	C EC V CUT SME 103M 16.0DC
C817	EC-364978	C EC V CUT SME 102M 16.0DC
D301	ED-624903	D SILICON H 1S2473 [GX-69]
D302	ED-624903	D SILICON H 1S2473 [GX-69]
D311	ED-624903	D SILICON H 1S2473
D411	ED-624903	D SILICON H 1S2473
D501	ED-624903	D SILICON H 1S2473
D502	ED-624903	D SILICON H 1S2473
D503	ED-346536	D ZENER H HZ7C3L [GX-69]
D504	ED-351419	D ZENER H HZ7B3L
D505	ED-346598	D ZENER H HZ4 C2
D506	ED-624903	D SILICON H 1S2473
D507	ED-624903	D SILICON H 1S2473
D508	ED-624903	D SILICON H 1S2473
D509	ED-624903	D SILICON H 1S2473
D801	*ED-511907	D SILICON 1N4002 100/1.0A
D802	*ED-511907	D SILICON 1N4002 100/1.0A
D803	*ED-511907	D SILICON 1N4002 100/1.0A
D804	*ED-511907	D SILICON 1N4002 100/1.0A
D805	ED-346541	D ZENER H HZ9B2L
D806	ED-346541	D ZENER H HZ9B2L
D807	ED-511907	D SILICON 1N4002 100/1.0A
D808	ED-511907	D SILICON 1N4002 100/1.0A
D809	ED-511907	D SILICON 1N4002 100/1.0A
D810	*ED-346525	D ZENER H HZ6A3L
D811	ED-400221J	D ZENER H HZ11A3LFA F10
D812	ED-511907	D SILICON 1N4002 100/1.0A
D813	ED-511907	D SILICON 1N4002 100/1.0A
D814	*ED-511907	D SILICON 1N4002 100/1.0A
D815	ED-343410	D ZENER H HZ6A1L
D816	ED-511907	D SILICON 1N4002 100/1.0A
D817	ED-511907	D SILICON 1N4002 100/1.0A
D818	ED-346574	D ZENER H HZ22-2L
D819	*ED-346602	D ZENER H HZ5 B3
D820	ED-511907	D SILICON 1N4002 100/1.0A
D821	ED-624903	D SILICON H 1S2473
D822	ED-624903	D SILICON H 1S2473
D823	ED-624903	D SILICON H 1S2473
D824	ED-511907	D SILICON 1N4002 100/1.0A
FL101	EO-405304J	COIL TUN 1 210Z181S [GX-69]
FL141A	EO-405304J	COIL TUN 1 210Z181S [GX-69]
FL141B	EO-405356J	COIL TUN 1 105Z391S 105KHZ [DX-59]
FL171	EH-370972	FILTER LC LP 370972
FL201	EO-405304J	COIL TUN 1 210Z181S [GX-69]
FL241A	EO-405304J	COIL TUN 1 210Z181S [GX-69]
FL241B	EO-405356J	COIL TUN 1 105Z391S 105KHZ [DX-59]
FL271	EH-370972	FILTER LC LP 370972
FR800	*ER-401039J	R FUSE V T05 ERD2FCV 1/4W 4R7J
FR801	*ER-401039J	R FUSE V T05 ERD2FCV 1/4W 4R7J
FR802	*ER-320528	R FUSE H ERD2FC 1/4W 22R0G
IC101	EI-360043	IC M5220P
IC121	EI-394573J	IC CXA1331S
IC141	EI-367572	IC BA15218
IC171	EI-394573J	IC CXA1331S
IC301	EI-373980	IC BA15218N
IC311	EI-373980	IC BA15218N
IC401	EI-373383	IC UPC1297CA
IC501	EI-394574J	IC LA2000
IC502	EI-384868J	IC BU4030B
IC503	EI-310036	IC TC4066BP
IC504	EI-353421	IC BA6229 [GX-69]
IC505	EI-353421	IC BA6229
IC801	*EI-377101	IC UPC7805HF
J302	EJ-336905	PIN J AJC-035-ACB P 4P

Ref. No.	Part No.	Description
L141	EO-405355J	COIL FIX 3 E1222T472J 472J222J
L241	EO-405355J	COIL FIX 3 E1222T472J 472J222J
L331	EO-361292	COIL FIX 1 RC875 682J [GX-69]
R306	ER-378672J	R OMF H S10 FS 1/2W 181J
R307	ER-378672J	R OMF H S10 FS 1/2W 181J
SW101A	ES-405295J	SW PUSH SPUY42 4THROW N [GX-69]
SW101B	ES-405302J	SW PUSH SPUY32 3THROW N [DX-59]
T321A	EO-400766J	COIL OSC 1 T2128 (HX)-7 200KHZ [GX-69]
T321B	EO-405296J	COIL OSC 1 T2130 (HX) 105KHZ [DX-59]
T322	EO-389245J	COIL OSC 1 T2118 100.0KHZ
T421A	EO-400766J	COIL OSC 1 T2128 (HX)-7 200KHZ [GX-69]
T421B	EO-405296J	COIL OSC 1 T2130 (HX) 105KHZ [DX-59]
TR101	ET-400218J	TR 2SC1740S R,S
TR102	ET-378524J	TR 2SC3383 S,T,U
TR103	ET-352726	TR 2SA1392 T,U
TR140	ET-400218J	TR 2SC1740S R,S
TR141	ET-400218J	TR 2SC1740S R,S [GX-69]
TR142	ET-400218J	TR 2SC1740S R,S
TR143	ET-400218J	TR 2SC1740S R,S
TR144	ET-400218J	TR 2SC1740S R,S
TR145	ET-400218J	TR 2SC1740S R,S
TR146	ET-389803J	TR 2SA933S R,S
TR201	ET-400218J	TR 2SC1740S R,S
TR240	ET-400218J	TR 2SC1740S R,S
TR241	ET-400218J	TR 2SC1740S R,S [GX-69]
TR242	ET-400218J	TR 2SC1740S R,S
TR243	ET-400218J	TR 2SC1740S R,S
TR244	ET-400218J	TR 2SC1740S R,S
TR245	ET-400218J	TR 2SC1740S R,S
TR301	ET-378524J	TR 2SC3383 S,T,U
TR311	ET-354414	TR DTC144ES [GX-69]
TR321	ET-400218J	TR 2SC1740S R,S
TR322	ET-400218J	TR 2SC1740S R,S
TR323	ET-373391	TR DTC143ZS
TR324	ET-370310	TR DTC144TS
TR325	ET-370310	TR DTC144TS
TR326	ET-354371	TR DTC124ES
TR327	ET-396072J	TR 2SD2159 V,W
TR328	ET-400741J	TR 2SC3708 T T05
TR329	ET-400741J	TR 2SC3708 T T05
TR330	ET-354364	TR DTC143TS
TR401	ET-378524J	TR 2SC3383 S,T,U
TR411	ET-354414	TR DTC144ES [GX-69]
TR501	ET-360399	TR DTC114TS
TR502	ET-373382	TR DTA143ZS
TR503	ET-373382	TR DTA143ZS
TR504	ET-354365	TR DTC114YS
TR505	ET-396072J	TR 2SD2159 V,W
TR506	ET-396072J	TR 2SD2159 V,W
TR507	ET-354365	TR DTC114YS
TR508	ET-354365	TR DTC114YS
TR509	ET-394554J	TR 2SD1379
TR510	ET-354365	TR DTC114YS
TR801	ET-365394	TR 2SC3242A E,F,G F05
TR802	ET-347738	TR 2SA1282A E,F F05
TR804	*ET-378524J	TR 2SC3383 S,T,U
TR805	ET-400218J	TR 2SC1740S R,S
TR806	ET-364093	TR 2SA1283 E,F
VR101	EV-394962J	R S-FIX H T05EVNDXAA03 0.1W1Q
VR102	EV-389478J	R S-FIX H T05EVNDXAA03 0.1W1Q
VR171	EV-397174J	R S-FIX H T05EVNDXAA03 0.1W6Q
VR181	EV-389482J	R S-FIX H T05EVNDXAA03 0.1W6Q [GX-69]
VR201	EV-394962J	R S-FIX H T05EVNDXAA03 0.1W1Q
VR202	EV-389478J	R S-FIX H T05EVNDXAA03 0.1W1Q
VR271	EV-397174J	R S-FIX H T05EVNDXAA03 0.1W6Q
VR281	EV-389482J	R S-FIX H T05EVNDXAA03 0.1W6Q [GX-69]
VR311	EV-389479J	R S-FIX H T05EVNDXAA03 0.1W2Q
VR321	EV-389482J	R S-FIX H T05EVNDXAA03 0.1W6Q

Ref. No.	Part No.	Description
VR322A	EV-389481J	R S-FIX H T05EVNDXAA03 0.1W473 [GX-69]
VR322B	EV-397174J	R S-FIX H T05EVNDXAA03 0.1W683 [DX-59]
VR323	EV-389476J	R S-FIX H T05EVNDXAA03 0.1W103
VR423	EV-389476J	R S-FIX H T05EVNDXAA03 0.1W103
VR901	EV-405297J	VR RK14K12B0 SPL C1253X2 [GX-69]
VR902	EV-405298J	VR ROTARY RK11K1120 B102
VR903	EV-405299J	VR ROTARY RK16312A0 A104X2
VR904	EV-405300J	VR ROTARY RK11K1120 SP W254
VR905	EV-405301J	VR ROTARY RK14K12B0 A503X2
F1A	*EF-309387	FUSE TSC A 250V 1.00A [U]
F1B	*EF-358641	FUSE BET T 250V 800MA [E]
F2A	*EF-309387	FUSE TSC A 250V 1.00A [U]
F2B	*EF-358641	FUSE BET T 250V 800MA [E]

5. HEAD PHONE P.C BOARD

Ref. No.	Part No.	Description
J301	EJ-369995	PHONE J 3P HLJ0540-410 GP 6.3

6. POWER SW P.C BOARD

Ref. No.	Part No.	Description
C815	*EC-338411	C CE V DE7150 FZ 103P 400AC
SW801	*ES-371104	SW PUSH SDDL1 01-1 [POWER SW]

7. SYSCON P.C BOARD

Ref. No.	Part No.	Description
D701	ED-307572	D SILICON H 1SS131
D702	ED-307572	D SILICON H 1SS131
D703	ED-307572	D SILICON H 1SS131
D704	ED-307572	D SILICON H 1SS131
D705	ED-307572	D SILICON H 1SS131
D706	ED-307572	D SILICON H 1SS131
D707	ED-307572	D SILICON H 1SS131
D708	ED-307572	D SILICON H 1SS131
D709	ED-307572	D SILICON H 1SS131
D710	ED-307572	D SILICON H 1SS131
D711	ED-307572	D SILICON H 1SS131 [GX-69]
D712	ED-307572	D SILICON H 1SS131
D713	ED-307572	D SILICON H 1SS131
D714	ED-307572	D SILICON H 1SS131 [GX-69]
D715	ED-307572	D SILICON H 1SS131
D716	ED-307572	D SILICON H 1SS131
D717	ED-307572	D SILICON H 1SS131
D718	ED-307572	D SILICON H 1SS131 [GX-69]
D719	ED-307572	D SILICON H 1SS131
D720	ED-307572	D SILICON H 1SS131
D721	ED-307572	D SILICON H 1SS131
D722	ED-307572	D SILICON H 1SS131
D723	ED-307572	D SILICON H 1SS131 [GX-69]
D724	ED-307572	D SILICON H 1SS131 [GX-69]
D725	ED-307572	D SILICON H 1SS131
D726	ED-307572	D SILICON H 1SS131
D727	ED-307572	D SILICON H 1SS131 [GX-69]
D728	ED-307572	D SILICON H 1SS131
D729	ED-307572	D SILICON H 1SS131
D730	ED-307572	D SILICON H 1SS131
IC701	EI-405498J	IC M50941-627SP 91DECK2 T2130

Ref. No.	Part No.	Description
IN701	EM-405274J1	IND FL CM1068C DOUBLE
RM701	ET-411995J	DETECTOR GP1U581X
TR701	ET-400218J	TR 2SC1740S R,S
TR702	ET-400218J	TR 2SC1740S R,S
TR703	ET-405594J	TR DTC143ZL T05
TR704	ET-396487J	TR DTA124XL T05
TR705	ET-396488J	TR DTC144EL T05
TR706	ET-396487J	TR DTA124XL T05
TR707	ET-396488J	TR DTC144EL T05
TR708	ET-396487J	TR DTA124XL T05
TR709	ET-396488J	TR DTC144EL T05
TR710	ET-396487J	TR DTA124XL T05
TR711	ET-371075	TR DTA124XS
TR712	ET-354414	TR DTC144ES
TR713	ET-371075	TR DTA124XS
TR714	ET-354414	TR DTC144ES
TR715	ET-371075	TR DTA124XS
TR716	ET-354414	TR DTC144ES
TR717	ET-354414	TR DTC144ES [GX-69]
TR718	ET-354415	TR DTA144ES
TR719	ET-354415	TR DTA144ES [GX-69]
TR720	ET-354415	TR DTA144ES
TR721	ET-354415	TR DTA144ES [GX-69]
TR722	ET-354415	TR DTA144ES
TR723	ET-354415	TR DTA144ES
TR724	ET-354415	TR DTA144ES [GX-69]
TR725	ET-354415	TR DTA144ES
TS701	ES-396610J	SW TACT SOR-122HS T05 [REW]
TS702	ES-396610J	SW TACT SOR-122HS T05 [PLAY]
TS703	ES-396610J	SW TACT SOR-122HS T05 [FF]
TS704	ES-396610J	SW TACT SOR-122HS T05 [REC]
TS705	ES-396610J	SW TACT SOR-122HS T05 [STOP]
TS706	ES-396610J	SW TACT SOR-122HS T05 [AUTO MUTE]
TS707	ES-396610J	SW TACT SOR-122HS T05 [COUNTER RESET]
TS708	ES-396610J	SW TACT SOR-122HS T05 [COUNTER MEMORY]
TS709	ES-396610J	SW TACT SOR-122HS T05 [COUNTER MODE][GX-69]
TS710	ES-396610J	SW TACT SOR-122HS T05 [TAPE LENGTH][GX-69]
TS711	ES-396610J	SW TACT SOR-122HS T05 [TAPE MONITOR]
X701	EI-405327J	OSC CE CST6.00MGW 6.000MHZ

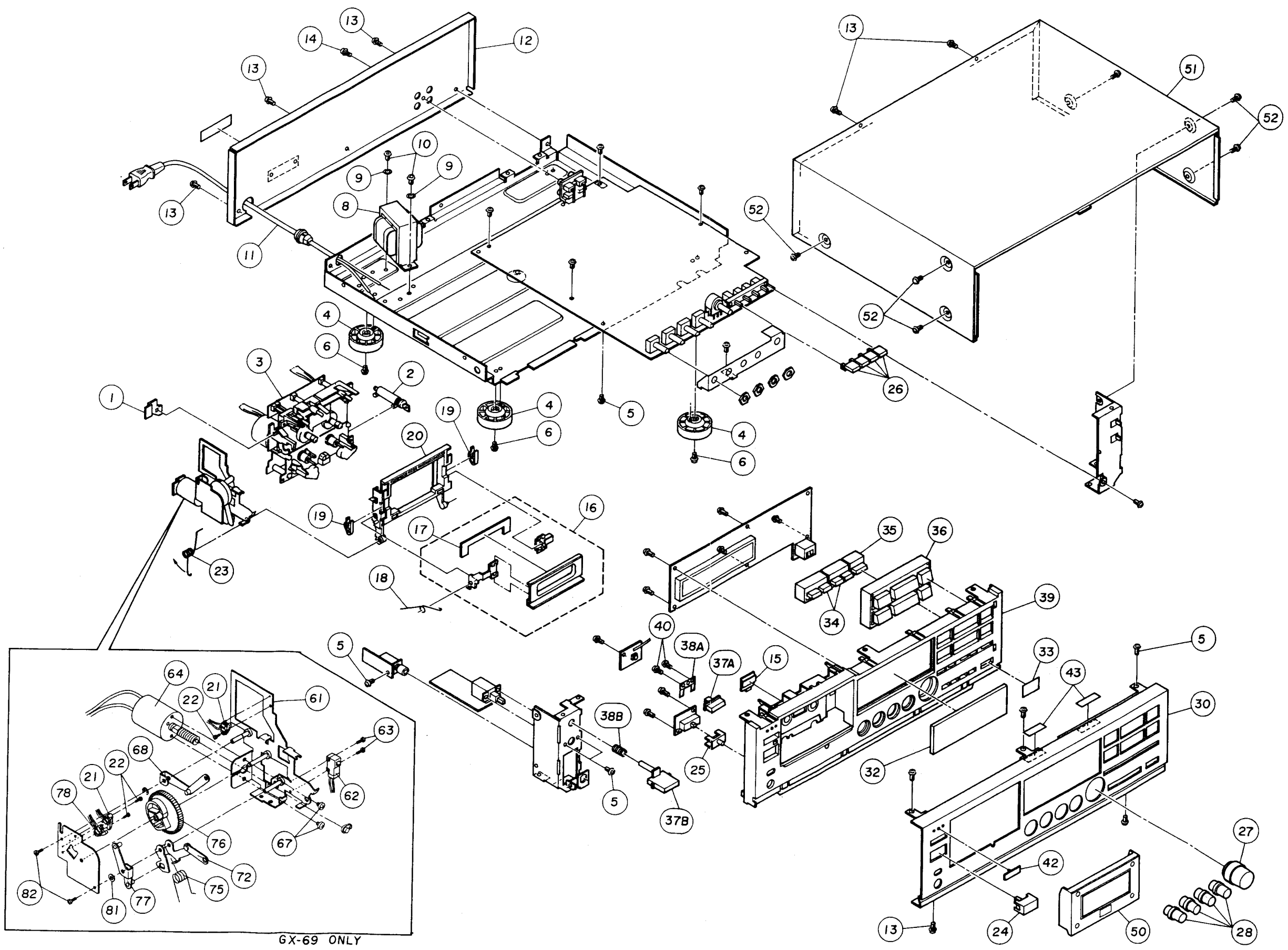
8. TIMER SW P.C BOARD

Ref. No.	Part No.	Description
SW701	ES-370965	SW SLIDE SSSU02 1-01-03N

9. EJECT SW P.C BOARD (GX-67)

Ref. No.	Part No.	Description
TS712	ES-396610J	SW TACT SOR-122HS T05

FINAL ASSEMBLY BLOCK



GX-69 ONLY

PARTS LIST

10. FAINAL ASSEMBLY BLOCK

Ref. No.	Part No.	Description
1	MZ-391475J	PLATE EJECT [DX-59]
2	MZ-391606J	DAMPER K-106
3A	BB-T2130A050A	MECHA BLK GX-67 [GX-69]
3B	BB-T2130A050B	MECHA BLK DX-57 [DX-59]
4	SA-379375	FOOT (N)
5	ZS-305827	ST BID30X06STL BNI
6	ZS-336714	ST BID30X12STL CMT
8A	*BT-391561J	TRANS POW T2118 U [U]
8B	*BT-410582J	TRANS POW T2130 E [E]
9	ZW-273914	SW40
10	ZS-322580	ST BID40X08STL BNI
11A	*EW-363656	AC CORD200 0129AVFF B200 A U/T [U]
11B	*EW-363669J1	AC CORD200 0364 LCFL B200 A EV [E]
12A	SP-411822J	PANEL REAR GX-69 (U)
12B	SP-411824J	PANEL REAR GX-69 (E)
12C	SP-411823J	PANEL REAR DX-59 (U)
12D	SP-411825J	PANEL REAR DX-59 (E)
13	ZS-358953	ST BID30X08STL BNI
14	ZS-331532	PT BID30X08STL BNI
15	ED-344244	D LED SLF-601C AMBER
16	BZ-391578J	LID STABILIZER PART [GX-69]
17	SZ-391531J	SHEET DAMP [GX-69]
18	ZG-391481J	SP TORSION STABILIZER (L) [GX-69]
19	ZG-336615	SP PLATE CASSETTE HOLDER (B)
20	TC-405054J3	CASSETTE CASE
21	ES-393376J	SW LEAF SPPB22 01-1 [GX-69]
22	ZS-608106	PAN20X06STL CMT [GX-69]
23	ZG-405059J	SP TORSION (EJECT)
24	SK-404769J	BUTTON POWER-B
25	SK-405070J	KNOB TIMER-B
26	SK-405072J	BUTTON PUSH (1)
27	SK-405067J	KNOB VR (1)
28	SK-405068J	KNOB VR (2)
30A	SP-416095J	PANEL FRONT GX-69
30B	SP-416096J	PANEL FRONT DX-59
32	SE-405062J	WINDOW FLD
33	SZ-361424	PLATE REMOCON
34	SK-405064J1	BUTTON COUNTER (1)
35	SK-405065J1	BUTTON MONITOR (1)
36	SK-405063J1	BUTTON OP GX-Z6300
37A	SK-405069J	BUTTON EJECT (1) [GX-69]
37B	SK-416094J	BUTTON EJECT [DX-59]
38A	ZG-405048J	SP PLATE EJECT [GX-69]
38B	ZG-405061J	SP PUSH (EJECT) [DX-59]
39	SP-405097J1	PANEL ESCUTCHEON GX-Z6300
40	ZS-390457J	BT PAN20X04STL BZN
42	SM-365756C	NAME PLATE AKAI (2)
43	SZ-378311-A	CUSHION
50A	BD-T2130A090A	LID PANEL BLK GX-Z6300EV-B [GX-69]
50B	BD-T2130A090B	LID PANEL BLK GX-Z5300-B [DX-59]
51	SP-391493J	COVER UPPER B
52	ZS-322580	ST BID40X08STL BNI
61	MZ-405106J	HOLDER (L) PART [GX-69]
62	ES-405288J1	SW LEAF MSW18121MPJO [GX-69]
63	ZS-487091	PAN23X08STL CMT [GX-69]
64	BM-405969J	MOTOR RF-370 PART [GX-69]

Ref. No.	Part No.	Description
67	ZS-432674	PAN30X03STL CMT [GX-69]
68	ML-405041J	ARM LOCK (1) PART [GX-69]
71	ZW-410051	RETAINING RING E250SUP CMT [GX-69]
72	ML-405038J	ARM EJECT (2) PART [GX-69]
75	ZG-405058J	SP TORSION (EJ) ARM [GX-69]
76	MZ-405056J	GEAR CAM EJECT [GX-69]
77	ML-405036J	ARM EJECT (1) PART [GX-69]
78	ES-372912	SW LEAF SPPB21 01-2 [GX-69]
81	ZW-439018	PW30X060X030STL NI3 [GX-69]
82	ZS-460440	PAN20X04STL CMT [GX-69]
83X	*ES-359606	SW SELECTOR JUH1420-0201 01-4 [U]

NOTE:

Parts will not be supplied if they are not listed in the parts list, even if they appear on the assembling illustrations with reference No.

11. ACCESSARY

Ref. No.	Part No.	Description
1	EW-383168J1	CORD TC-C-05S P-P 2P 2PCS
2A	AX-D4004A010A	REMOCON BLK RC-G67 [GX-69]
2B	AX-D4004A010B	REMOCON BLK RC-G57 [DX-59]

INDEX

Part No.	Ref. No.	Part No.	Ref. No.	Part No.	Ref. No.	Part No.	Ref. No.
AXD4004A010A	11-2A	ED511907	4-D808	ES393376J	10-21	ET400218J	4-TR142
AXD4004A010B	11-2B	ED511907	4-D809	ES396610J	7-TS701	ET400218J	4-TR143
BAT2130A020B	3-1A	ED511907	4-D812	ES396610J	7-TS702	ET400218J	4-TR144
BAT2130A020E	3-1B	ED511907	4-D813	ES396610J	7-TS703	ET400218J	4-TR145
BAT2130A030A	3-2A	ED511907	4-D814	ES396610J	7-TS704	ET400218J	4-TR201
BAT2130A030B	3-2B	ED511907	4-D816	ES396610J	7-TS705	ET400218J	4-TR240
BBT2130A050A	10-3A	ED511907	4-D817	ES396610J	7-TS706	ET400218J	4-TR241
BBT2130A050B	10-3B	ED511907	4-D820	ES396610J	7-TS707	ET400218J	4-TR242
BDT2130A090A	10-50A	ED511907	4-D824	ES396610J	7-TS708	ET400218J	4-TR243
BDT2130A090B	10-50B	ED624903	4-D301	ES396610J	7-TS709	ET400218J	4-TR244
BM405969J	10-64	ED624903	4-D302	ES396610J	7-TS710	ET400218J	4-TR245
BM732802J	2-19	ED624903	4-D311	ES396610J	7-TS711	ET400218J	4-TR321
BM732812J	2-60	ED624903	4-D411	ES396610J	9-TS712	ET400218J	4-TR322
BT391561J	10-8A	ED624903	4-D501	ES405288J1	10-62	ET400218J	4-TR805
BT410582J	10-8B	ED624903	4-D502	ES405295J	4-SW101A	ET400218J	7-TR701
BZ391578J	10-16	ED624903	4-D506	ES405302J	4-SW101B	ET400218J	7-TR702
EA732798J	2-9	ED624903	4-D507	ES729443J	2-6	ET400741J	4-TR328
EC338411	6-C815	ED624903	4-D508	ES729477J	2-59	ET400741J	4-TR329
EC363490	4-C807A	ED624903	4-D509	ET347738	4-TR802	ET405594J	7-TR703
EC364978	4-C801	ED624903	4-D821	ET352726	4-TR103	ET411995J	7-RM701
EC364978	4-C802	ED624903	4-D822	ET354364	4-TR330	ET729496J	2-80
EC364978	4-C817	ED624903	4-D823	ET354365	4-TR504	EV389476J	4-VR323
EC367241	4-C807B	EF309387	4-F1A	ET354365	4-TR507	EV389476J	4-VR423
EC375358	4-C811	EF309387	4-F2A	ET354365	4-TR508	EV389478J	4-VR102
ED307572	7-D701	EF358641	4-F1B	ET354365	4-TR510	EV389478J	4-VR202
ED307572	7-D702	EF358641	4-F2B	ET354371	4-TR326	EV389479J	4-VR311
ED307572	7-D703	EH370972	4-FL171	ET354414	4-TR311	EV389481J	4-VR322A
ED307572	7-D704	EH370972	4-FL271	ET354414	4-TR411	EV389482J	4-VR181
ED307572	7-D705	EI310036	4-IC503	ET354414	7-TR712	EV389482J	4-VR281
ED307572	7-D706	EI353421	4-IC504	ET354414	7-TR714	EV389482J	4-VR321
ED307572	7-D707	EI353421	4-IC505	ET354414	7-TR716	EV394962J	4-VR101
ED307572	7-D708	EI360043	4-IC101	ET354414	7-TR717	EV394962J	4-VR201
ED307572	7-D709	EI367572	4-IC141	ET354415	7-TR718	EV397174J	4-VR171
ED307572	7-D710	EI373383	4-IC401	ET354415	7-TR719	EV397174J	4-VR271
ED307572	7-D711	EI373980	4-IC301	ET354415	7-TR720	EV397174J	4-VR322B
ED307572	7-D712	EI373980	4-IC311	ET354415	7-TR721	EV405297J	4-VR901
ED307572	7-D713	EI377101	4-IC801	ET354415	7-TR722	EV405298J	4-VR902
ED307572	7-D714	EI384868J	4-IC502	ET354415	7-TR723	EV405299J	4-VR903
ED307572	7-D715	EI394573J	4-IC121	ET354415	7-TR724	EV405300J	4-VR904
ED307572	7-D716	EI394573J	4-IC171	ET354415	7-TR725	EV405301J	4-VR905
ED307572	7-D717	EI394574J	4-IC501	ET360399	4-TR501	EW363656	10-11A
ED307572	7-D718	EI405327J	7-X701	ET364093	4-TR806	EW363669J1	10-11B
ED307572	7-D719	EI405498J	7-IC701	ET365394	4-TR801	EW383168J1	11-1
ED307572	7-D720	EJ336905	4-J302	ET370310	4-TR324	HE729469J	2-39
ED307572	7-D721	EJ369995	5-J301	ET370310	4-TR325	HRH2411A010A	2-38A
ED307572	7-D722	EM405274J1	7-IN701	ET371075	7-TR711	HR405284J	2-38B
ED307572	7-D723	EO361292	4-L331	ET371075	7-TR713	HZ729467J	2-36
ED307572	7-D724	EO389245J	4-T322	ET371075	7-TR715	HZ732804J	2-30
ED307572	7-D725	EO400766J	4-T321A	ET373382	4-TR502	MB729451J	2-15
ED307572	7-D726	EO400766J	4-T421A	ET373382	4-TR503	MB732817J	2-109
ED307572	7-D727	EO405296J	4-T321B	ET373391	4-TR323	MI729453J	2-14
ED307572	7-D728	EO405296J	4-T421B	ET378524J	4-TR102	MI732800J	2-11
ED307572	7-D729	EO405304J	4-FL101	ET378524J	4-TR301	ML405036J	10-77
ED307572	7-D730	EO405304J	4-FL141A	ET378524J	4-TR401	ML405038J	10-72
ED343410	4-D815	EO405304J	4-FL201	ET378524J	4-TR804	ML405041J	10-68
ED344244	10-15	EO405304J	4-FL241A	ET389803J	4-TR146	ML729480J	2-62
ED346525	4-D810	EO405355J	4-L141	ET394554J	4-TR509	ML729498J	2-83
ED346536	4-D503	EO405355J	4-L241	ET396072J	4-TR327	ML729499J	2-84
ED346541	4-D805	EO405356J	4-FL141B	ET396072J	4-TR505	ML732807J	2-45
ED346541	4-D806	EO405356J	4-FL241B	ET396072J	4-TR506	ML732810J	2-49
ED346574	4-D818	EP729487J	2-71	ET396487J	7-TR704	ML732814J	2-69
ED346598	4-D505	ER320528	4-FR802	ET396487J	7-TR706	MP732803J	2-28
ED346602	4-D819	ER378672J	4-R306	ET396487J	7-TR708	MP732808J	2-46
ED351419	4-D504	ER378672J	4-R307	ET396487J	7-TR710	MR729482J	2-64
ED400221J	4-D811	ER401039J	4-FR800	ET396488J	7-TR705	MR729484J	2-67
ED511907	4-D801	ER401039J	4-FR801	ET396488J	7-TR707	MR729505J	2-108
ED511907	4-D802	ES359606	10-83X	ET396488J	7-TR709	MS729463J	2-32
ED511907	4-D803	ES370965	8-SW701	ET400218J	4-TR101	MS729475J	2-50
ED511907	4-D804	ES371104	6-SW801	ET400218J	4-TR140	MS729488J	2-72
ED511907	4-D807	ES372912	10-78	ET400218J	4-TR141	MS729497J	2-81

Part No.	Ref. No.	Part No.	Ref. No.	Part No.	Ref. No.	Part No.	Ref. No.
MS732809J	2-47	ZS729500J	2-90				
MT732806J	2-43	ZS729501J	2-95				
MV729458J	2-24	ZS729503J	2-99				
MV729459J	2-25	ZS732805J	2-33				
MZ391475J	10-1	ZW273914	10-9				
MZ391606J	10-2	ZW410051	10-71				
MZ405056J	10-76	ZW439018	10-81				
MZ405106J	10-61	ZW729440J	2-2				
MZ729441J	2-4	ZW729444J	2-7				
MZ729442J	2-5	ZW729465J	2-37B				
MZ729452J	2-16	ZW729466J	2-35				
MZ729479J	2-61	ZW729468J	2-37A				
MZ729504J	2-100	ZW729483J	2-66				
SA379375	10-4	ZW729507J	2-110				
SE405062J	10-32	ZW729545J	2-1				
SK404769J	10-24	ZW729546J	2-37C				
SK405063J1	10-36	ZW732799J	2-10				
SK405064J1	10-34	ZW732801J	2-13				
SK405065J1	10-35	ZW732819J	2-29				
SK405067J	10-27	ZW732820J	2-42				
SK405068J	10-28						
SK405069J	10-37A						
SK405070J	10-25						
SK405072J	10-26						
SK416094J	10-37B						
SM365756C	10-42						
SP391493J	10-51						
SP405097J1	10-39						
SP411822J	10-12A						
SP411823J	10-12C						
SP411824J	10-12B						
SP411825J	10-12D						
SP416095J	10-30A						
SP416096J	10-30B						
SZ361424	10-33						
SZ378311-A	10-43						
SZ391531J	10-17						
TC405054J3	10-20						
ZG336615	10-19						
ZG391481J	10-18						
ZG405048J	10-38A						
ZG405058J	10-75						
ZG405059J	10-23						
ZG405061J	10-38B						
ZG729462J	2-31						
ZG729491J	2-75						
ZG729494J	2-78B						
ZG729502J	2-96						
ZG732811J	2-51						
ZG732813J	2-63						
ZG732815J	2-73						
ZG732816J	2-78A						
ZS305827	10-5						
ZS322580	10-10						
ZS322580	10-52						
ZS331532	10-14						
ZS336714	10-6						
ZS358953	10-13						
ZS390457J	10-40						
ZS432674	10-67						
ZS460440	10-82						
ZS487091	10-63						
ZS608106	10-22						
ZS729445J	2-8						
ZS729449J	2-12						
ZS729454J	2-17						
ZS729456J	2-21						
ZS729457J	2-22						
ZS729470J	2-40						
ZS729490J	2-74						