

T 761

**SURROUND
SOUND RECEIVER**

T 761

**SURROUND
SOUND RECEIVER**

SERVICE MANUAL

NAD

SERVICE SAFETY PRECAUTIONS

1. Replacing the fuses

CAUTION: FOR CONTINUED PROTECTION AGAINST THE RISK OF FIRE REPLACE ONLY WITH SAME TYPE OF FUSE.

Reference No			Part Number	Description
M752	*C	△	5120-0017-0	FU T4A 250V SEMKO/UDE HBC
M754	*C	△	5120-0018-0	FU T1A 250V SEMKO/UDE 5X20MM
M751	*AH	△	5120-0040-0	FU T6.3A 250V 5X20 UL
M754	*AH	△	5120-0052-0	FUSE T1.6A 250V 5X20MM

NOTE:

<*AH > : USA, CANADIAN MODEL ONLY.

<*C > : EUROPEAN MODEL ONLY.

2. Safety check out

(Only U.S.A. model)

Before returning the product to the customer, make leakage current or resistance measurements to determine that exposed parts are acceptably insulated from the supply circuit.

Parts marked with the symbol △ are critical with regard to the risk of fire and electric shock. Replace only with parts recommended by the manufacturer.

CONTENTS

DESCRIPTION	PAGE
SPECIFICATIONS3-4
REAR PANEL / FRONT PANEL5
DISASSEMBLY INSTRUCTIONS6
WIRING DIAGRAM7-8
BLOCK DIAGRAM9
ADJUSTMENT POINTS DIAGRAM10
INSTRUMENT SETUP11
ALIGNMENT PROCEDURES11-12
IMPORTANT NOTES13
PCB LAYOUT14-25
SCHEMATIC DIAGRAM26-44
IC BLOCK DIAGRAM45-52
ELECTRICAL PARTS LIST53-75
EXPLODED VIEW76
EXPLODED VIEW PARTS LIST77-78
PACKING DIAGRAM79

SPECIFICATIONS

POWER AMPLIFIER AND PREAMPLIFIER SECTION

Rated distortion	(THD 20Hz-20 kHz FL/C/FR)	$\leq 0.08\%$
	(THD 20Hz-20 kHz SL/SR)	$\leq 0.3\%$
Input Sensitivity	(ref. 8 ohms, 1 kHz)	180+/-30 mV
S/N Ratio	(A-wtd, 1KHz, 1W, 8 ohm)	≥ -75 dB
	(A-wtd, 1KHz, 80W, 8 ohm)	≥ 92 dB
	FL/FR/C	≥ -90 dB
	SL/SR	≥ -90 dB
Frequency Response	(20 Hz - 20 kHz)	0 \pm 0.8 dB
Channel Balance	(1 dB to -40 dB, 1 kHz)	≤ 2 dB
	(-41 dB to -50 dB, 1 kHz)	≤ 3 dB
Audio muting at 1kHz		≥ 53 dB
Headphone O/P in 0.1%, 600 ohm load, CD in 500mV, 1 kHz		≥ 10 V
Subwoofer out, 500mV in	(THD at 2V O/P, 100 Hz)	$\geq 0.5\%$
	(S/N at 2V O/P, 100 Hz)	≥ 80 dB
Crosstalk	(2V input, 10W, 1 kHz)	> -68 dB
Continuous average power output (L/R/C RL/RR 8ohms)		80 W

Controls

Bass	(at 500mV in, 1W out, 100 Hz)	± 9 dB
Treble	(at 500mV in, 1W out, 10 kHz)	± 9 dB

SURROUND SECTION

Channel separation

I/p mode : L, R	: 1V in, 1 kHz, Ch R, L	≥ 45 dB
	: o/p at unexpected, 1 kHz, Ch C	≥ 35 dB
I/p mode : L= -R	: 1V in, 1 kHz, Ch R, L	≥ 28 dB
	: o/p at unexpected, 1 kHz, Ch C	≥ 30 dB
I/p mode : L= R	: 1V in, 1 kHz, Ch R, L	≥ 45 dB
	: o/p at unexpected, 1 kHz, Ch SL, SR	≥ 30 dB

Frequency Response

I/p mode : L, R	: 1V in, 1W, Ch R, L	40Hz	0 \pm 1.5 dB
		20kHz	0 \pm 0.8 dB
I/p mode : L= R	: 1V in, 1W, Ch C	300Hz	0 \pm 0.8 dB
		20kHz	0 \pm 0.8 dB
I/p mode : L= -R	: 1V in, 1W, Ch SL, SR	30Hz	0 \pm 1.0 dB
		6.5kHz	-3 \pm 1.0 dB
S/N Ratio (200mV in, 1, A-WTD w/ 1k termination)			
I/p mode : L, R	: 1 kHz, Ch L, R		≥ 65 dB
I/p mode : L=R	: 1 kHz, Ch C		≥ 65 dB
I/p mode : L=-R	: 1 kHz, Ch SL, SR		≥ 65 dB
THD (2.2V in, 1W, w/ 80 kHz LPF, 1 kHz)			$\leq 0.2\%$

AC-3/DTS SECTION

Frequency Response

FL, FR, C, SL, SR:	200Hz	0 \pm 0.8 dB
	20kHz	0 \pm 0.8 dB
Distortion 1W all channels		0.08%
S/N 1 W (CCIR/ARM, 200 Hz NOTCH & 400 Hz HPF)		≥ 85 dB

AM TUNER SECTION

Input level is expressed as the reading in open-circuit of 75-ohm source impedance signal generator

Usable sensitivity (999/1000kHz)		≤ 30 dBμ
S/N Ratio (5mV in)		≥ 38 dB
THD (5mV in)		≤ 3%
IF Rejection (450 kHz)		≥ 36 dB
Image Rejection (F+2xIF)		≥ 28 dB
Selectivity		≥ 17 dB
Output		130+/- 20mV
Loop sensitivity (20dB S/N)	999/1000 kHz	≤ 66 dB
	603/600 kHz	≤ 66 dB
	1404/1400 kHz	≤ 66 dB
Frequency response (100 - 2.3 kHz, 5mV)		± 6 dB

FM TUNER SECTION

Input level is expressed as the reading in open-circuit of 75-ohm source impedance signal generator

		<u>*C</u>	<u>*AH</u>
Usable Sensitivity (98 MHz)		≤ 15 dBμ	≤ 15 dBμ
Signal / Noise Ratio	Mono	≥ 72 dB	≥ 72 dB
(60 dBμ, IHF wtd)	Stereo	≥ 66 dB	≥ 66 dB
Frequency Response (20 Hz - 15 kHz, 60 dBμ)		0 ± 1.5 dB	0 ± 1.5 dB
Channel Separation (60 dBμ)	100 Hz	≥ 30 dB	≥ 30dB
	1 kHz	≥ 38 dB	≥ 38 dB
	10 kHz	≥ 30 dB	≥ 30 dB
Alternate Channel Selectivity			
(40 dBμ, ±400 kHz)		≥ 60 dB	≥ 45 dB
Capture Ratio (40 dBμ)		≤ 3 dB	≤ 3 dB
AM Suppression			
(60 dBμ, 100% Mod.FM, 30% Mod.AM)		≥ 48 dB	≥ 48 dB
Image Rejection (119.4 MHz)		≥ 85 db	≥ 40 dB
I.F. Rejection (10.7 MHz)		≥ 78 dB	≥ 65 dB
Pilot Suppression (60 dBμ)		≥ 60 dB	≥ 60 dB
THD (60 dBμ, L=R 75 kHz for AH, 40 kHz Dev for C)			
	Mono	≤ 0.25%	≤ 0.25%
	Stereo	≤ 0.35%	≤ 0.35%
Auto-Search Sensitivity	On	≥ 24 dBμ	≥ 24 dBμ
	Off	≤ 15 dBμ	≤ 15 dBμ
RDS decode Sensitivity		≤ 26 dBμ	≤ 26 dBμ

POWER RATING

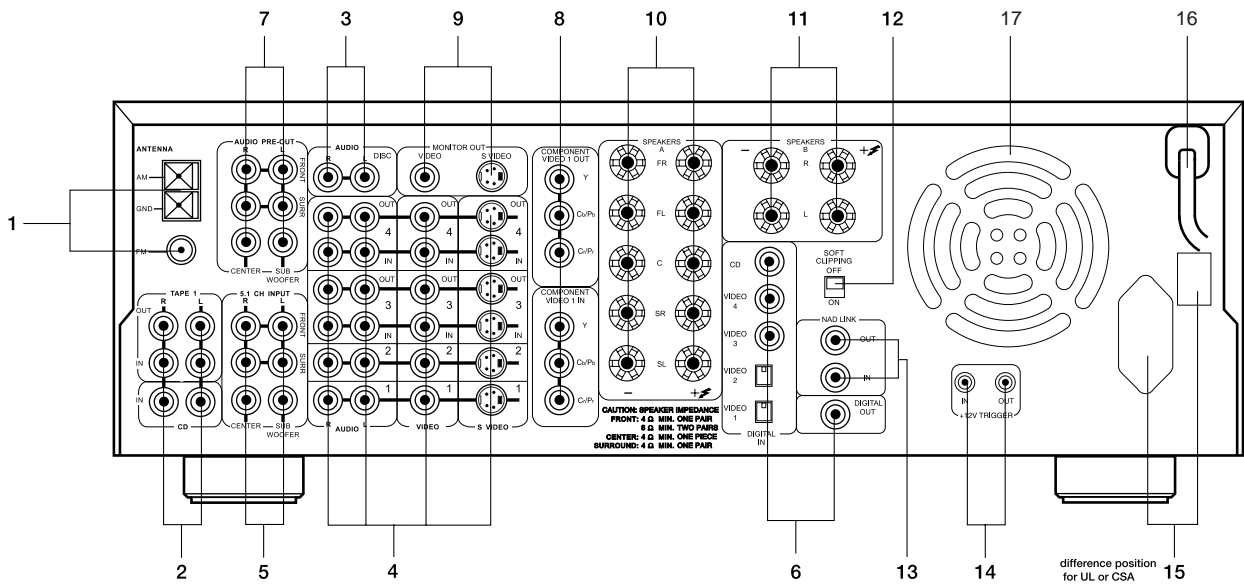
EUROPEAN Model	*C	AC 230V~ 50Hz 2.0A
USA, CANADIAN Model	*AH	AC 120V~ 60Hz 4.2A

PHYSICAL SPECIFICATIONS

Dimensions (Width x Height x Depth)	435 x 131 x 348mm
Net weight	14kg (31 lbs)
Shipping weight	16.7kg (37 lbs)

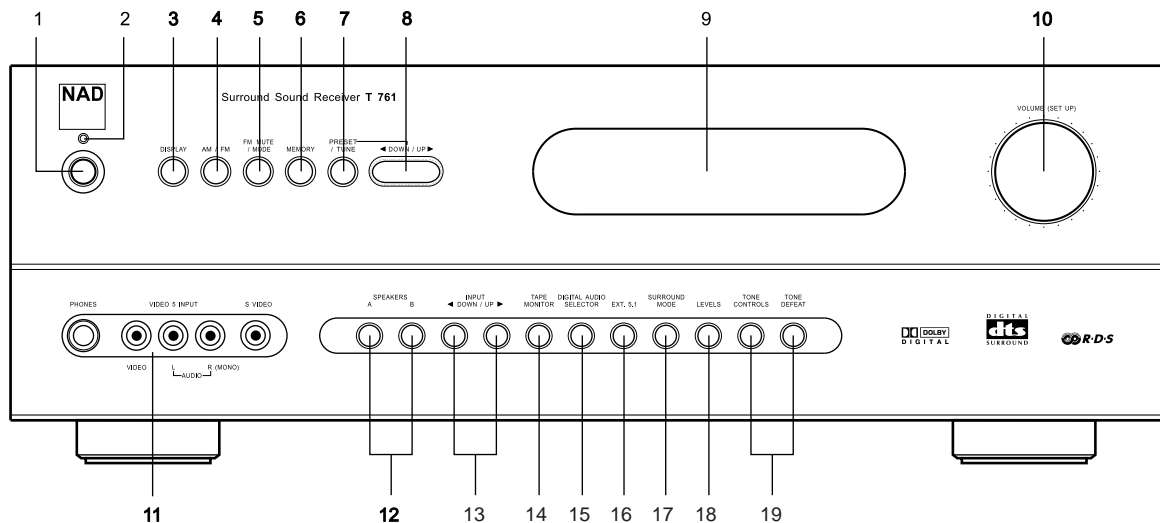
REAR PANEL / FRONT PANEL

REAR PANEL



- | | |
|---|---|
| <ul style="list-style-type: none"> 1. FM & AM ANTENNA 2. TAPE 1 & CD INPUTS 3. DISC INPUT 4. VIDEO 1 - VIDEO 4 (AUDIO & VIDEO) 5. 5.1 CHANNEL INPUT 6. DIGITAL AUDIO INPUTS / OUTPUTS 7. AUDIO PRE OUTS 8. COMPONENT VIDEO INPUT & OUTPUT 9. MONITOR OUT | <ul style="list-style-type: none"> 10. SPEAKERS A: FRONT, CENTER & SURROUND SPEAKERS 11. SPEAKERS B 12. SOFT CLIPPING 13. NAD-LINK INPUT / OUTPUT 14. 12V TRIGGER INPUT / OUTPUT 15. SWITCHED POWER OUTLETS 16. AC POWER CORD 17. COOLING FAN |
|---|---|

FRONT PANEL



- | | |
|---|---|
| <ul style="list-style-type: none"> 1. POWER 2. STAND-BY 3. DISPLAY 4. AM/FM 5. FM MUTE / MODE 6. MEMORY 7. PRESET / TUNE 8. DOWN / UP ◀ AND ▶ 9. VFL DISPLAY 10. VOLUME & SETUP | <ul style="list-style-type: none"> 11. HEADPHONE SOCKET & VIDEO 5 INPUT 12. SPEAKERS A & B 13. AUDIO & VIDEO INPUT SELECTORS <DOWN/UP> 14. TAPE MONITOR 15. DIGITAL AUDIO SELECTOR 16. EXT. 5.1 17. SURROUND MODE 18. LEVELS 19. TONE CONTROLS & TONE DEFEAT |
|---|---|

DISASSEMBLY INSTRUCTIONS

1. Remove machine screws M 4.0 x 6.0 (① to ⑥) from the side panels.

Remove tapping screw 3.0 x 8.5 (⑦) from the back panel.

Refer to **Figure No.1**.

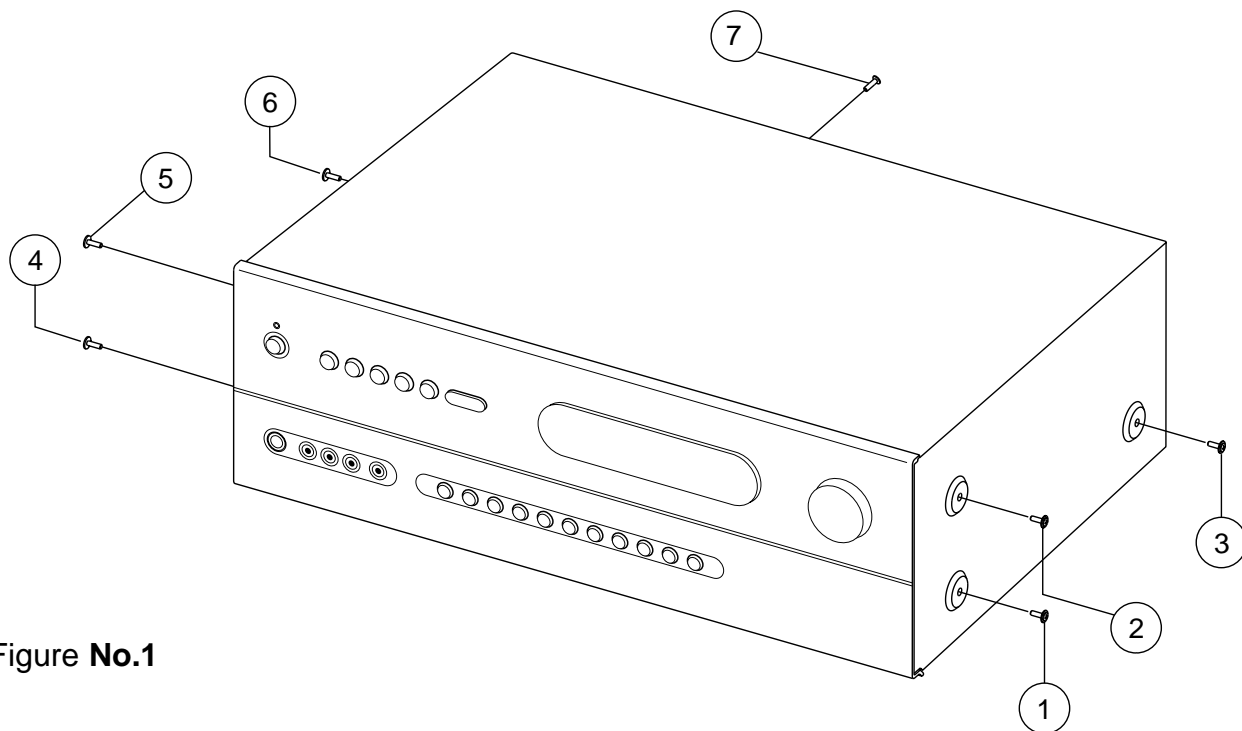


Figure No.1

2. Pull both sides of the TOP COVER slightly outwards (⑧) and tilt approx. 35° and then remove in the direction as indicated by the arrow (⑨). Refer to **Figure No.2**.

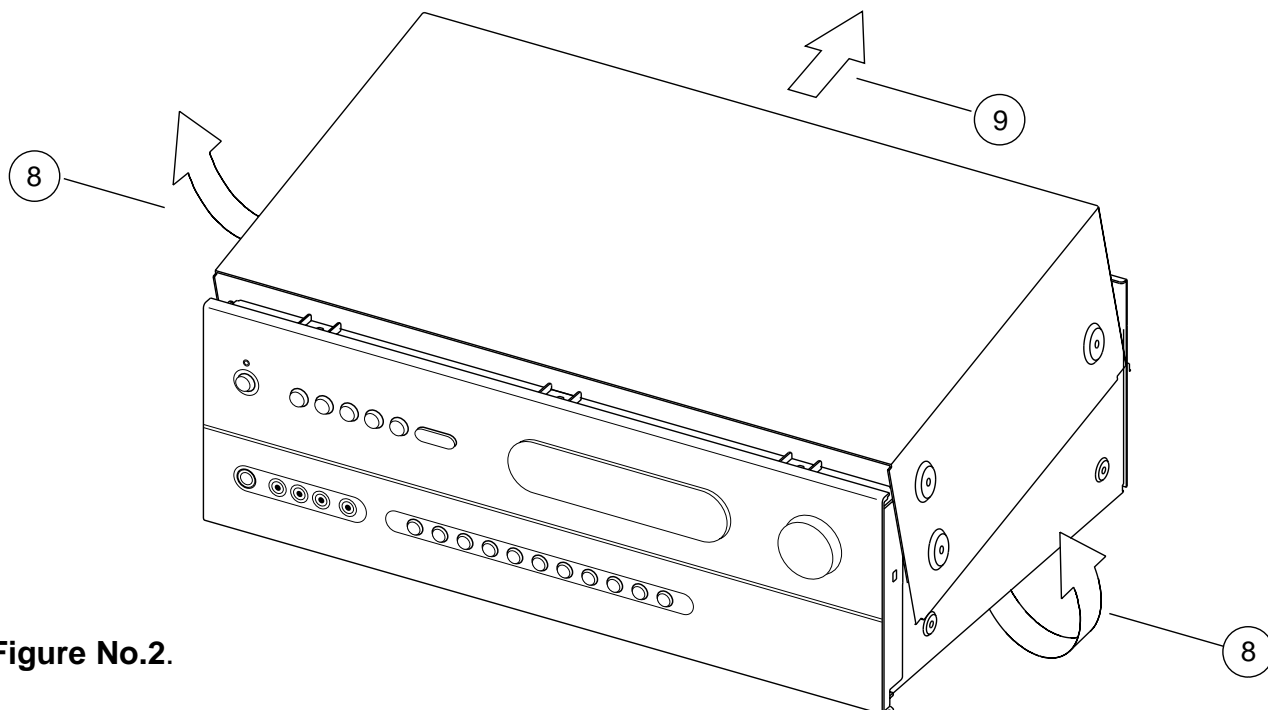
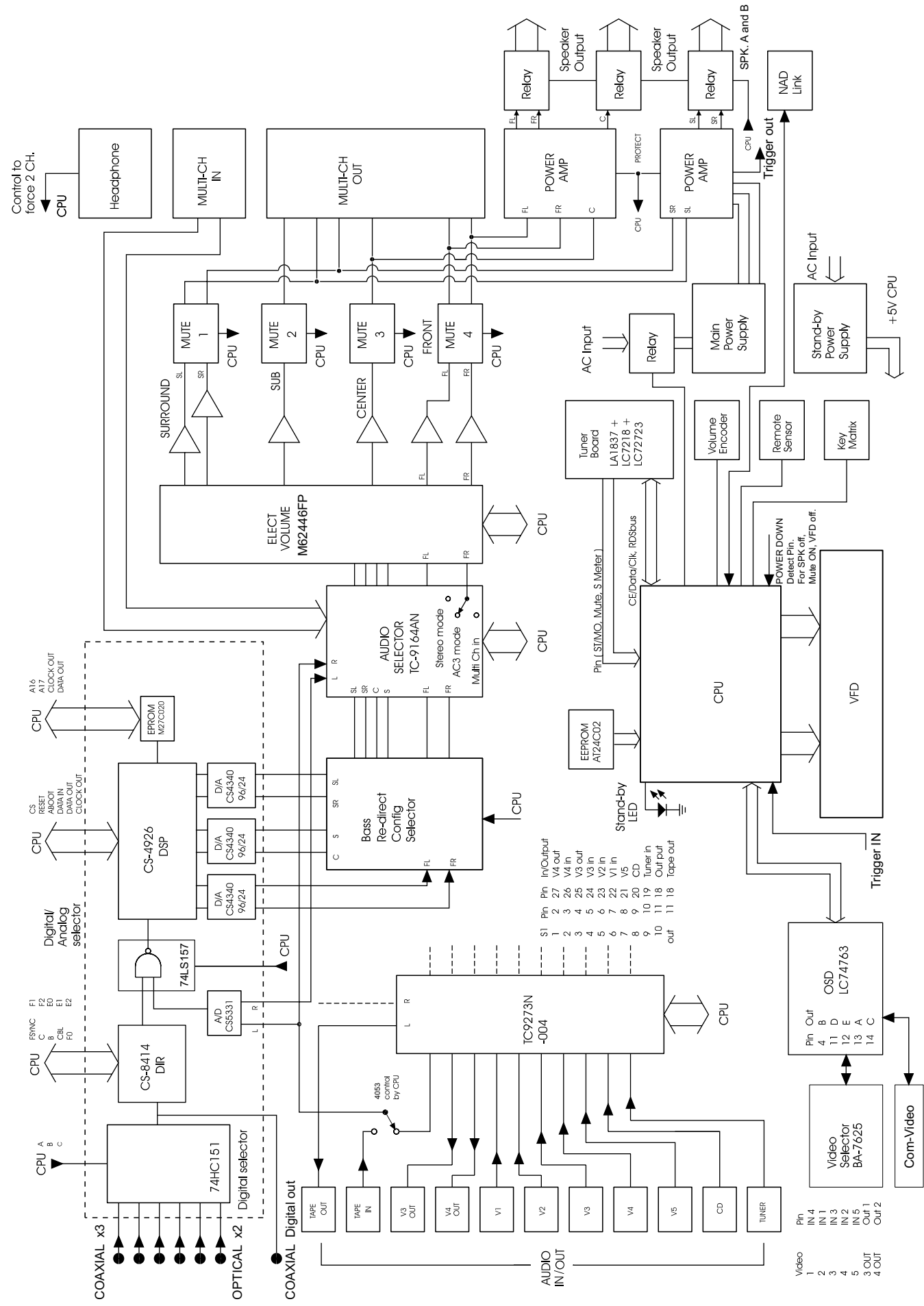


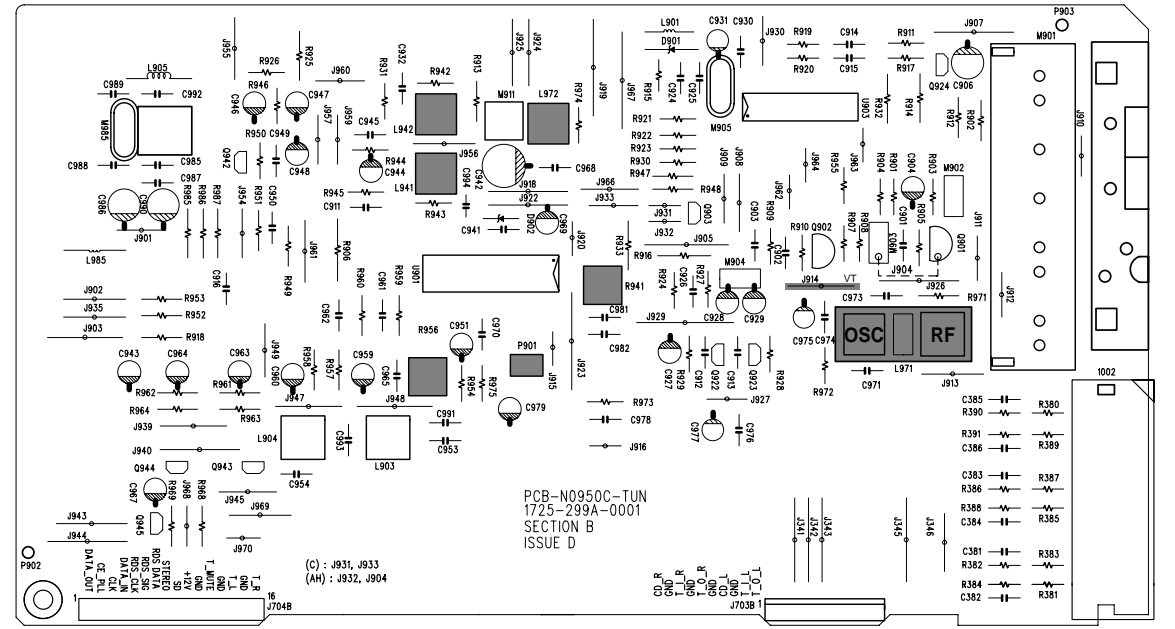
Figure No.2.

BLOCK DIAGRAM

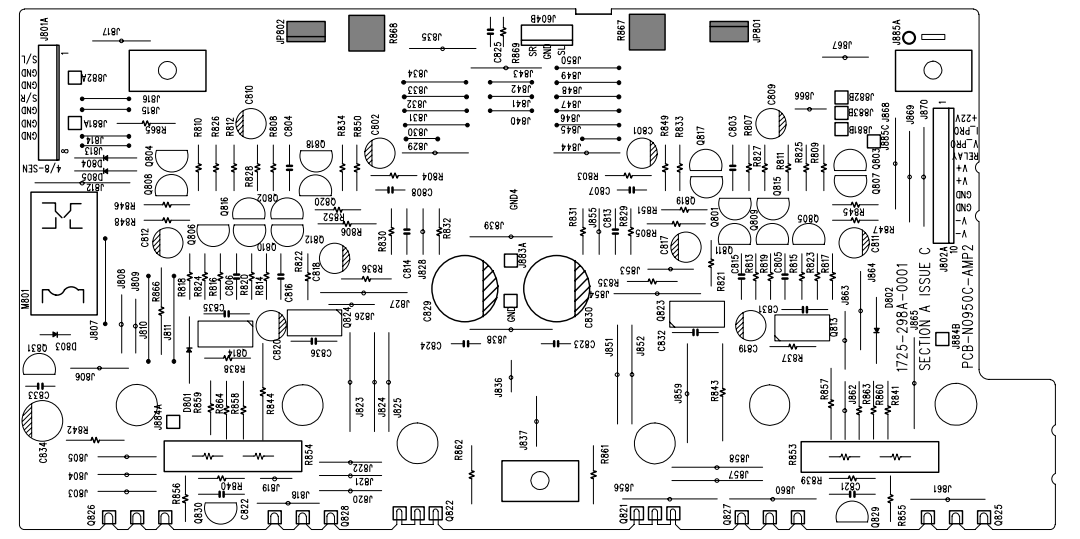
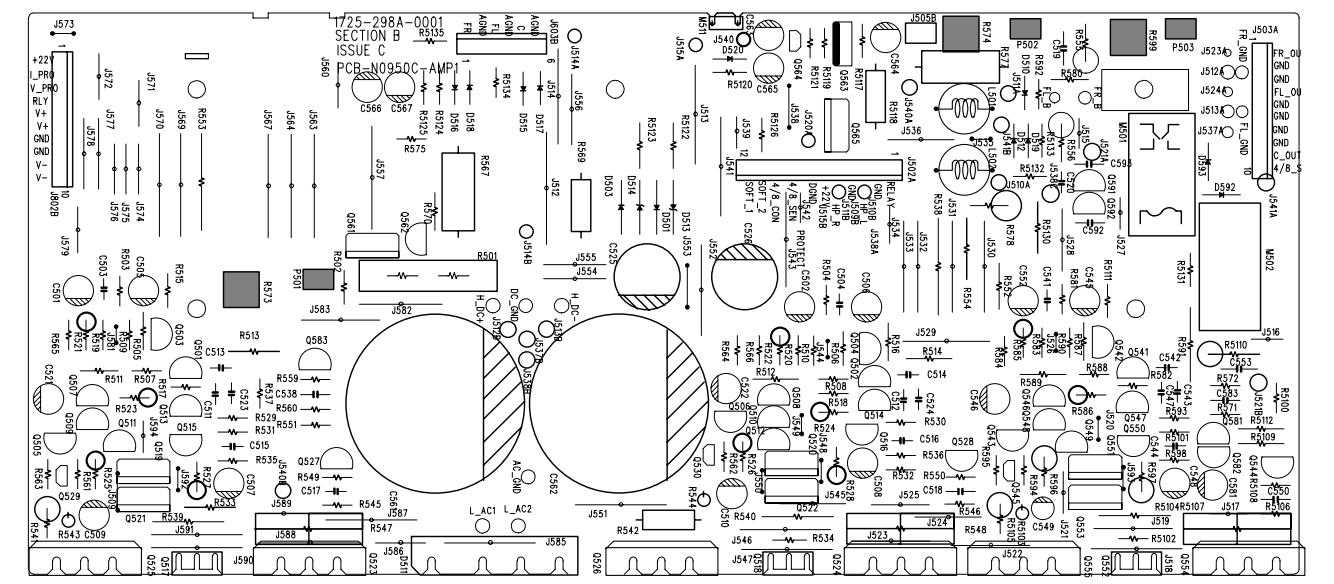


ADJUSTMENT POINTS DIAGRAM

1. TUNER



2. IDLE CURRENT - Front Amplifier & Surround Amplifier Board



INSTRUMENT SETUP

1. FM MEASUREMENT

Fig. 1

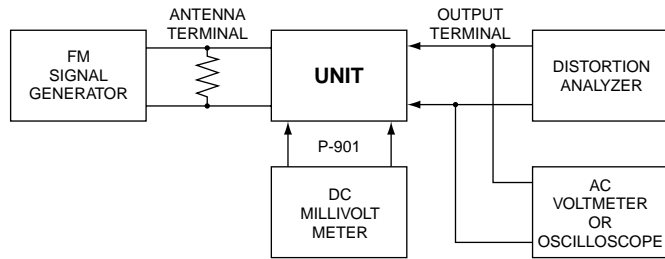
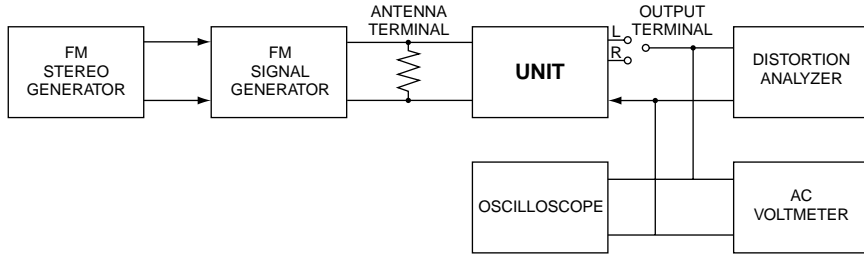
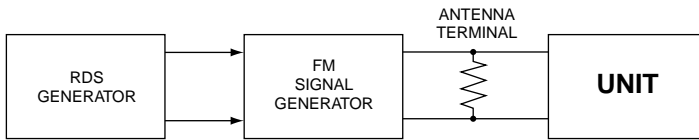


Fig. 2



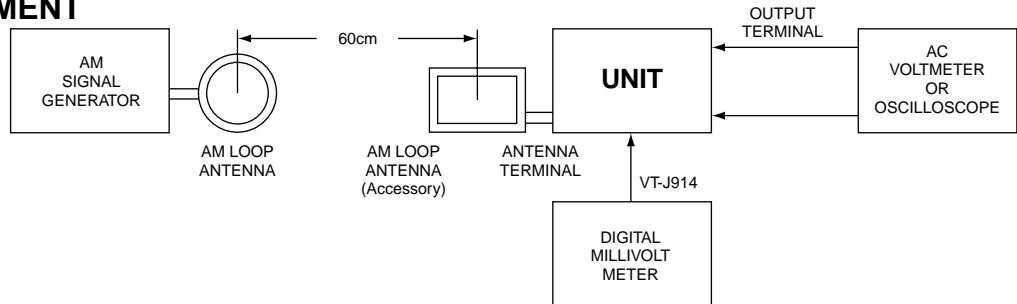
2. RDS MEASUREMENT

Fig. 3



3. AM MEASUREMENT

Fig. 4



ALIGNMENT PROCEDURES

AMPLIFIER SECTION

Idle Current

Step	Item	Connection	Adjustment	Adjust for
1	Front Left Channel	Voltmeter to P502 on Front Amp Board	R574	2mV±0.2mV
2	Front Right Channel	Voltmeter to P501 on Front Amp Board	R573	2mV±0.2mV
3	Center Channel	Voltmeter to P503 on Front Amp Board	R599	2mV±0.2mV
4	Rear Left Channel	Voltmeter to JP801 on Surround Amplifier Board (PCB N0901C-AMP2)	R867	2mV±0.2mV
5	Rear Right Channel	Voltmeter to JP802 on Surround Amplifier Board (PCB N091C-AMP2)	R868	2mV±0.2mV

FM/RDS SECTION

- FM mono: 1kHz, 75kHz devi., 60dB/μV
- FM stereo: 1kHz, 67.5kHz devi., 60dB/μV
- Pilot signal 19kHz 7.5kHz devi.

OUTPUTS

- Connect the non-inductive type resistor of 8 ohms to the all speaker terminals unless otherwise noted.

Item	Step	Connection of instrument	FM SG output	Stereo modulator output	Tuning frequency	Output indicator	Adjustment point	Adjust for	Remarks
FM IF/RF	1	Fig.1	99.0MHz 1kHz 75kHz devi. 65dBf (60dB)	-	99.0MHz	DC voltmeter	L941	0±100mV	FM MUTE/MODE switch: ON/AUTO Repeat the steps 1 to 3 until no further adjustment is necessary.
	AC voltmeter					IFT on the front end	Maximum		
	Distortion analyzer					L942	Minimum		
Stereo Distortion		Fig.2	99.0MHz Ext. mod. 65dBf (60dB)	Channel L or R 1kHz	99.0MHz	Distortion analyzer	IFT on the front end	Minimum	FM MUTE/MODE switch: ON/AUTO Don't turn more than +/-180°
Stereo Separation		Fig.2	99.0MHz Ext. mod. 65dBf (60dB)	Channel L or R 1kHz	99.0MHz	Oscilloscope	R956	Maximum separation	Repeat stereo distortion and stereo separation alignment until THD at minimum and separation at maximum.
Muting Level		Fig.1	99.0MHz 18dB	-	99.0MHz	Oscilloscope	R941	Signal output	
RDS		Fig.3	99.0MHz Ext. mod.65dBf(60dB) RDS 2% MOD	-	99.0MHz	-	-	-	Decode the RDS-Program Station.

AM SECTION

AM Modulation: 400Hz, 30%

For AH Version

Step	AM SG output	Tuning frequency	Output indicator	Adjustment point	Adjust for
1	-	530kHz	Digital DC voltmeter	OSC coil on RF block L971	1.35±0.2V
2	600kHz 400Hz 30% mod. 60dB/m	600kHz	AC voltmeter	RF coil on RF block L971	Maximum
3	600kHz 400Hz 30% mod. 60dB/m	990kHz	AC voltmeter	L972	Maximum

For C Version

Step	AM SG output	Tuning frequency	Output indicator	Adjustment point	Adjust for
1	-	522kHz or 531kHz	Digital DC voltmeter	OSC coil on RF block L971	1.3±0.2V (522kHz) 1.35±0.2V (531kHz)
2	600kHz 400Hz 30% mod. 60dB/m	603kHz	AC voltmeter	RF coil on RF block L971	Maximum
3	600kHz 400Hz 30% mod. 60dB/m	999kHz	AC voltmeter	L972	Maximum

IMPORTANT NOTES

1. Show the software version

Press "TUNE UP" and "TAPE MONITOR".

2. Toggle between PAL and NTSC

Press "MEMORY" and "SPEAKER A".

3. Light up all the icon on the VFL.

Press "FM/MUTE" and "SPEAKER B".

4. Toggle between 9K and 10K

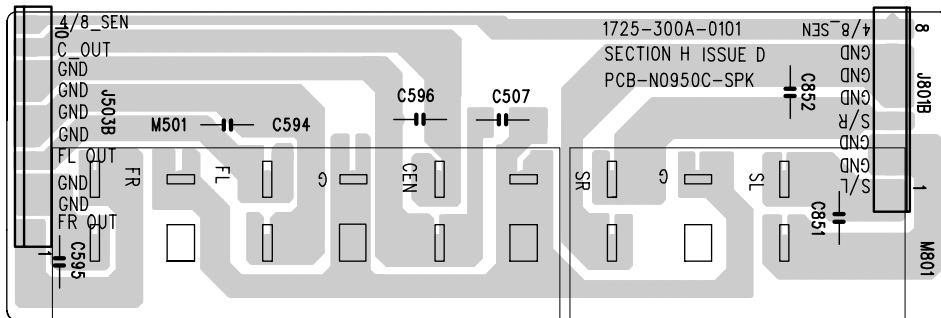
Press "FM/MUTE" and "Digital Audio Selector".

5. Clear all tuner presets

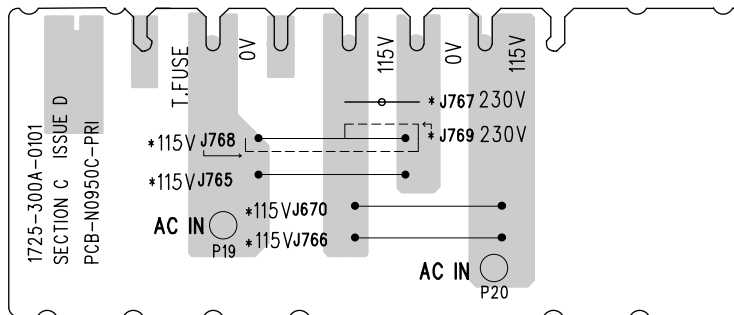
Change the setting of 9KHz / 10KHz Step.

PCB LAYOUT

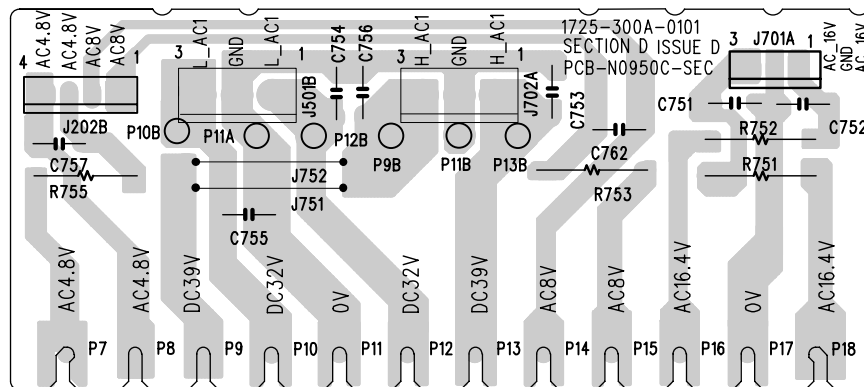
SPEAKER BOARD



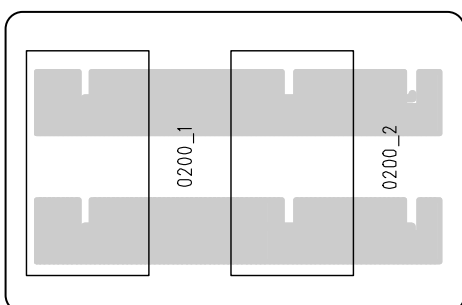
PRIMARY BOARD



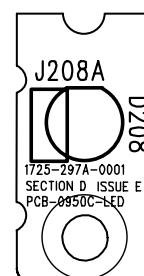
SECONDARY BOARD



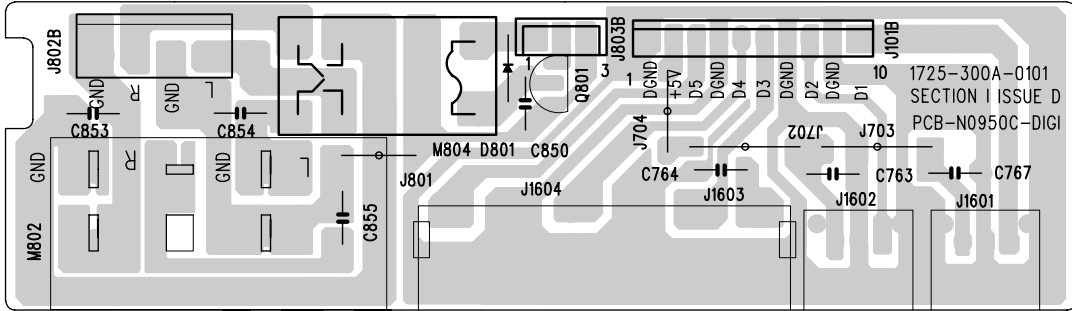
AC OUTLET BOARD



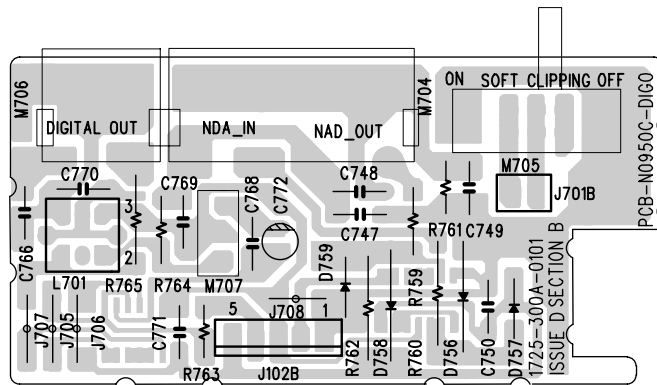
LED BOARD



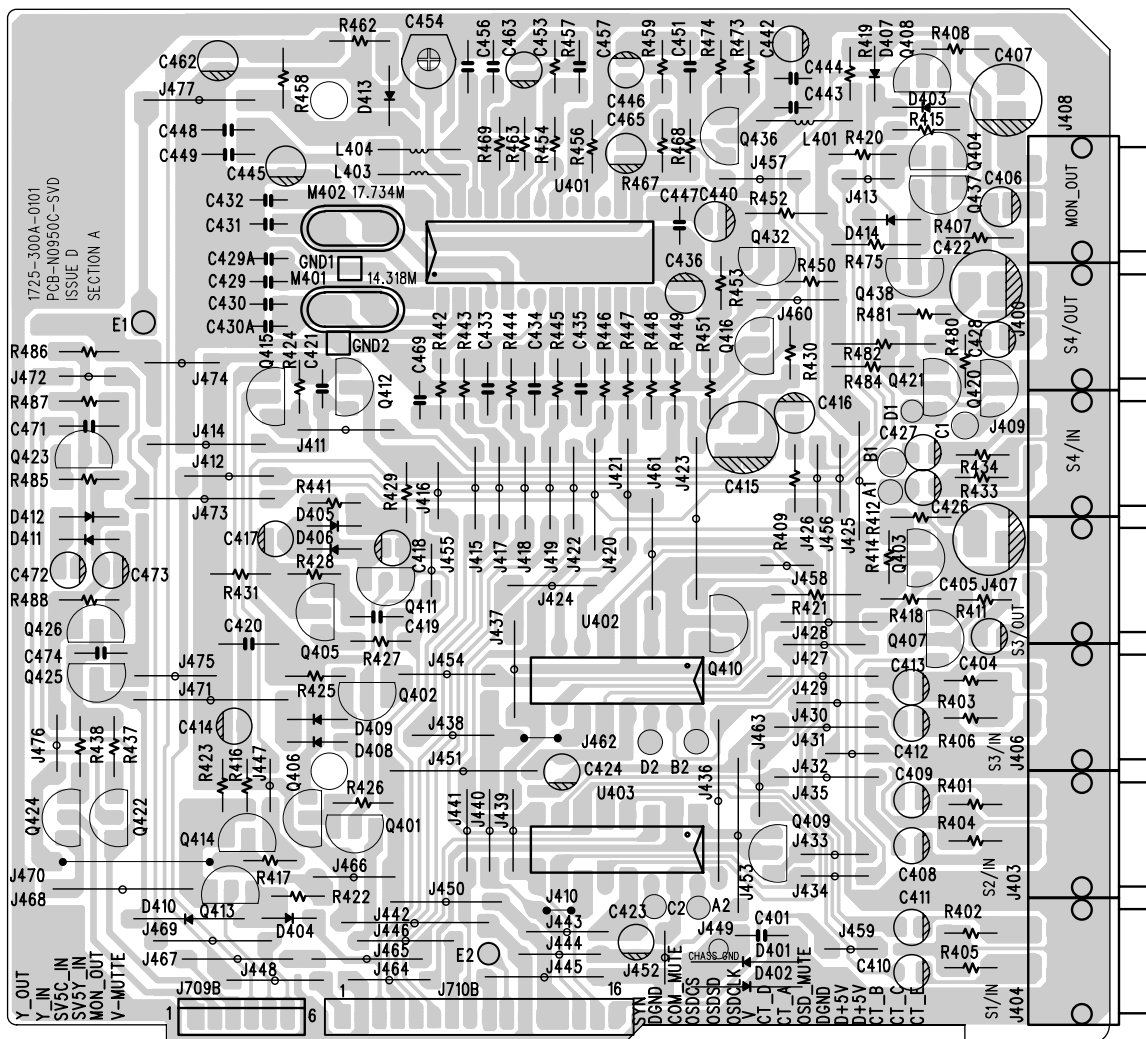
DIGITAL IN BOARD



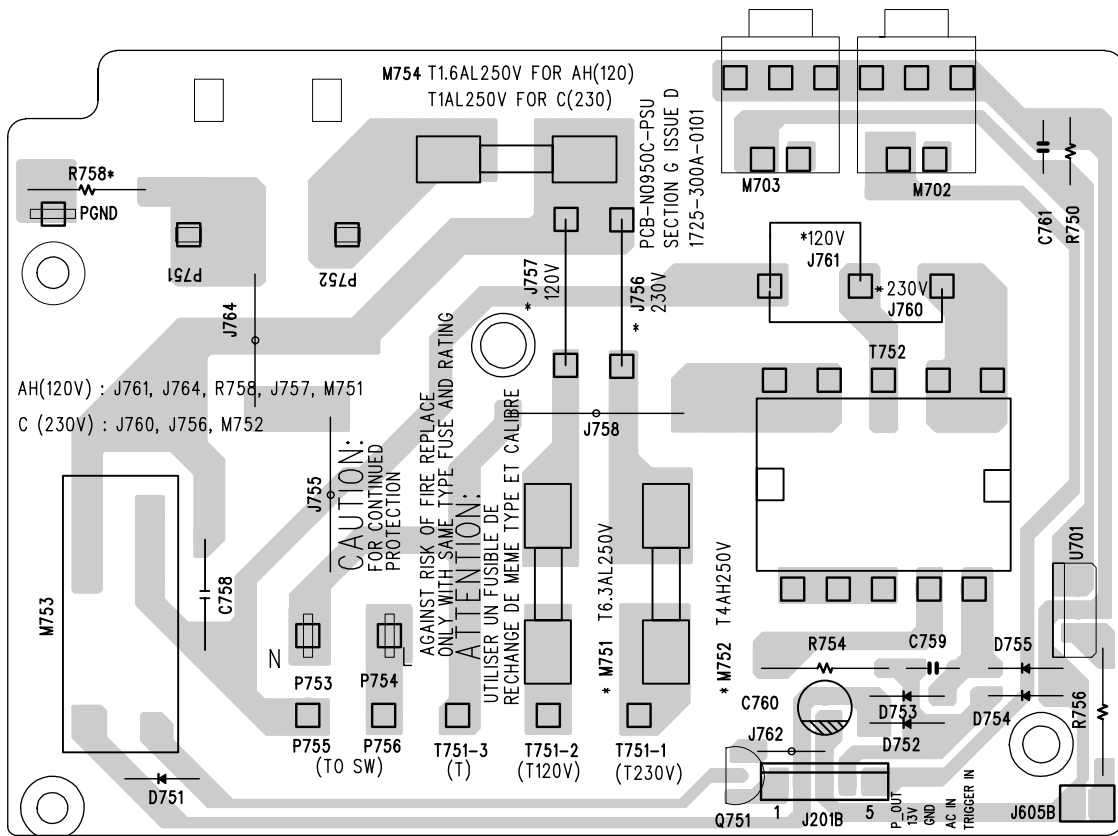
DIGITAL OUT BOARD



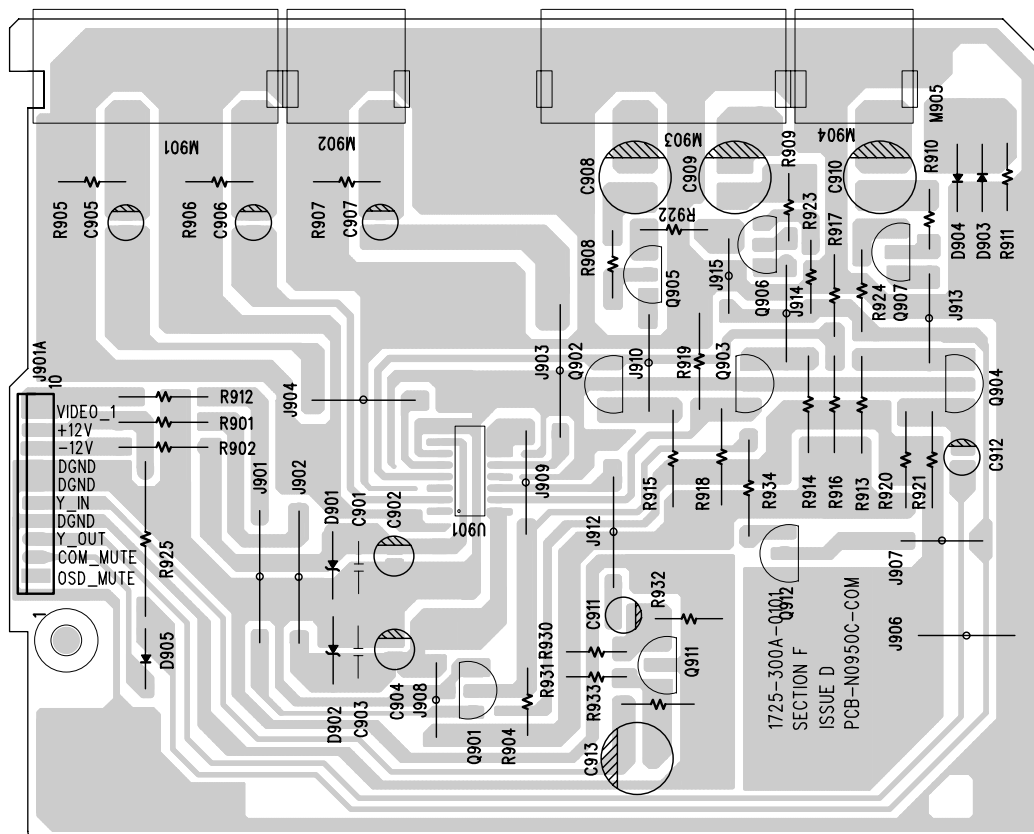
S-VIDEO BOARD



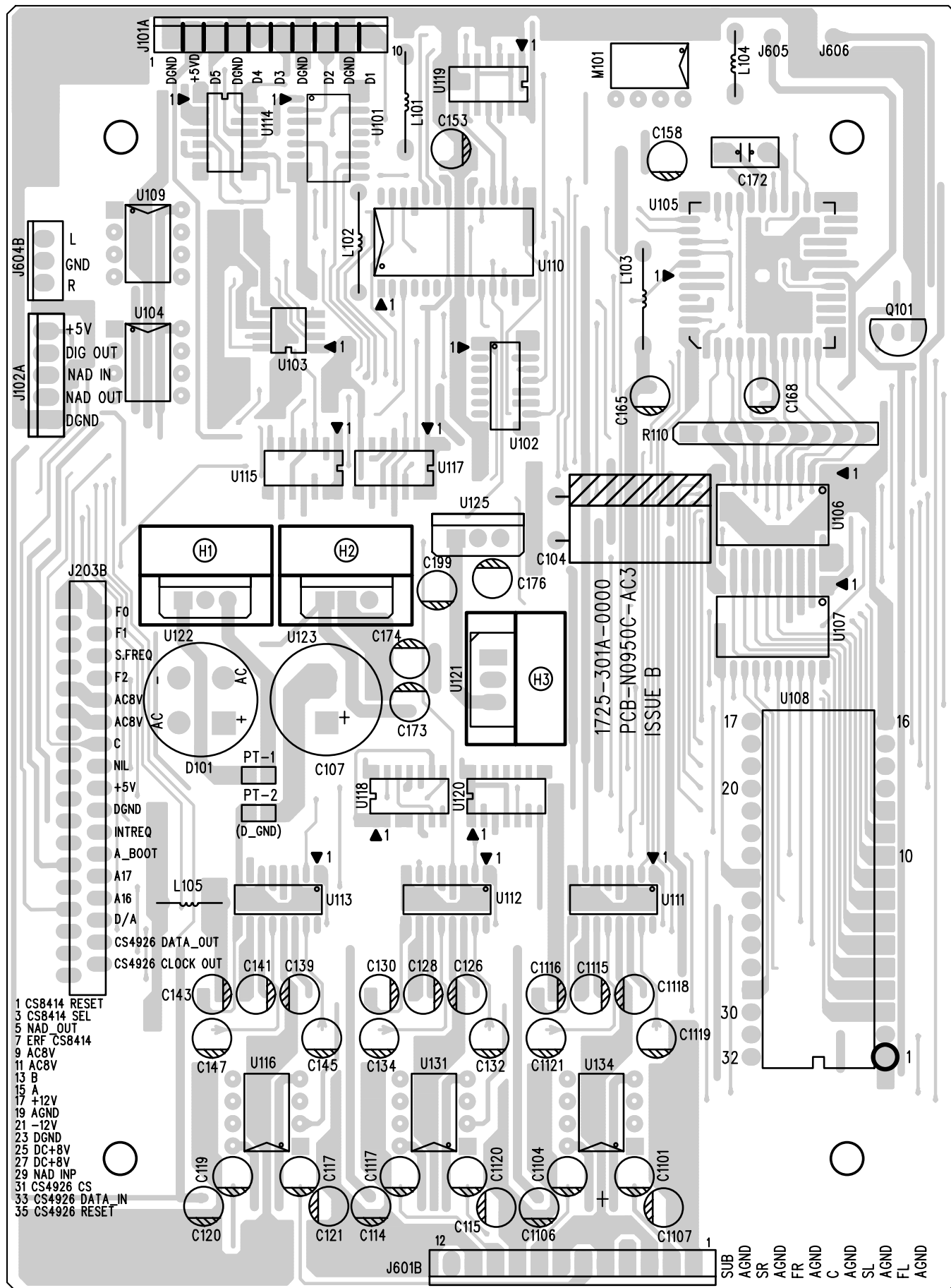
PSU BOARD



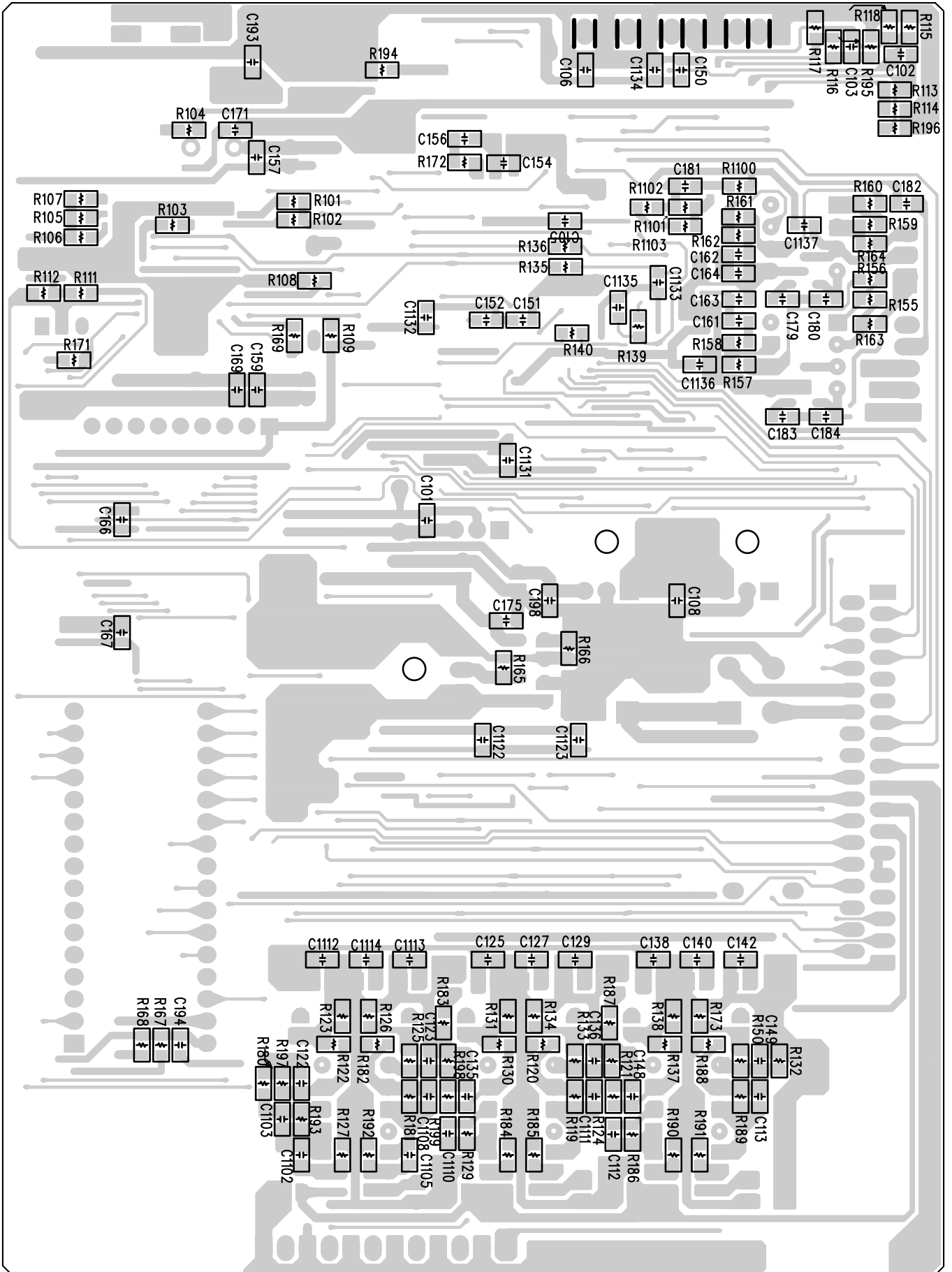
COMPONENT VIDEO BOARD



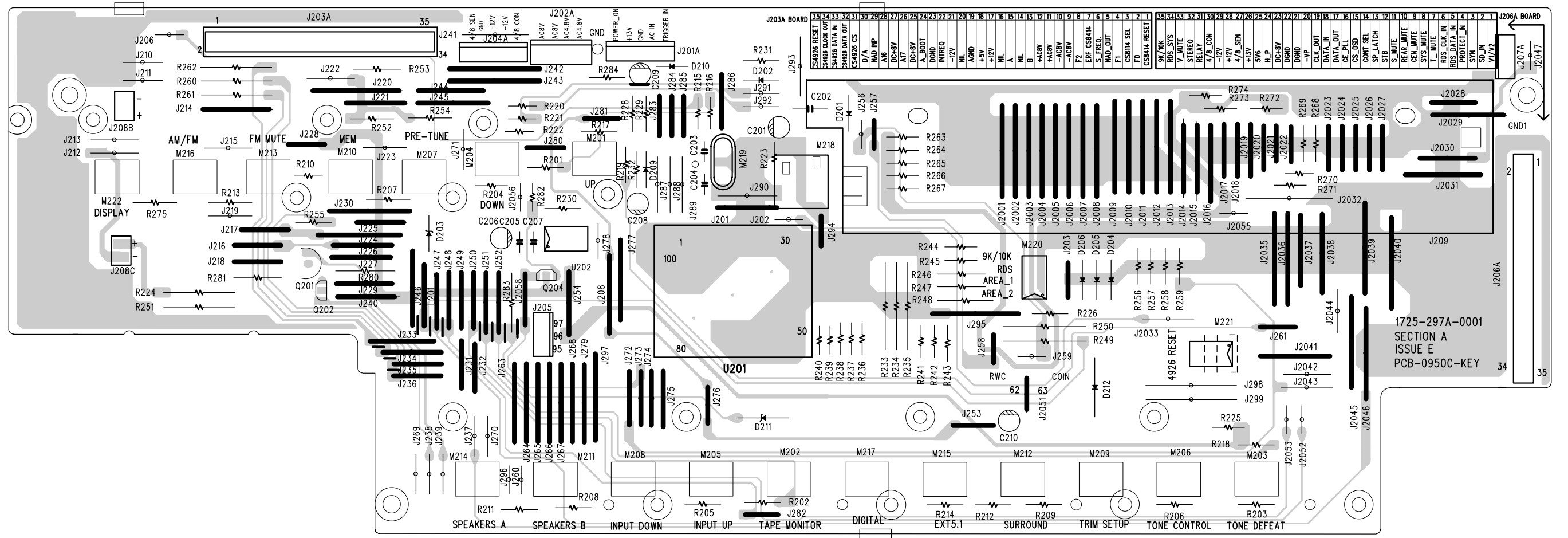
AC3 BOARD - COMPONENT SIDE



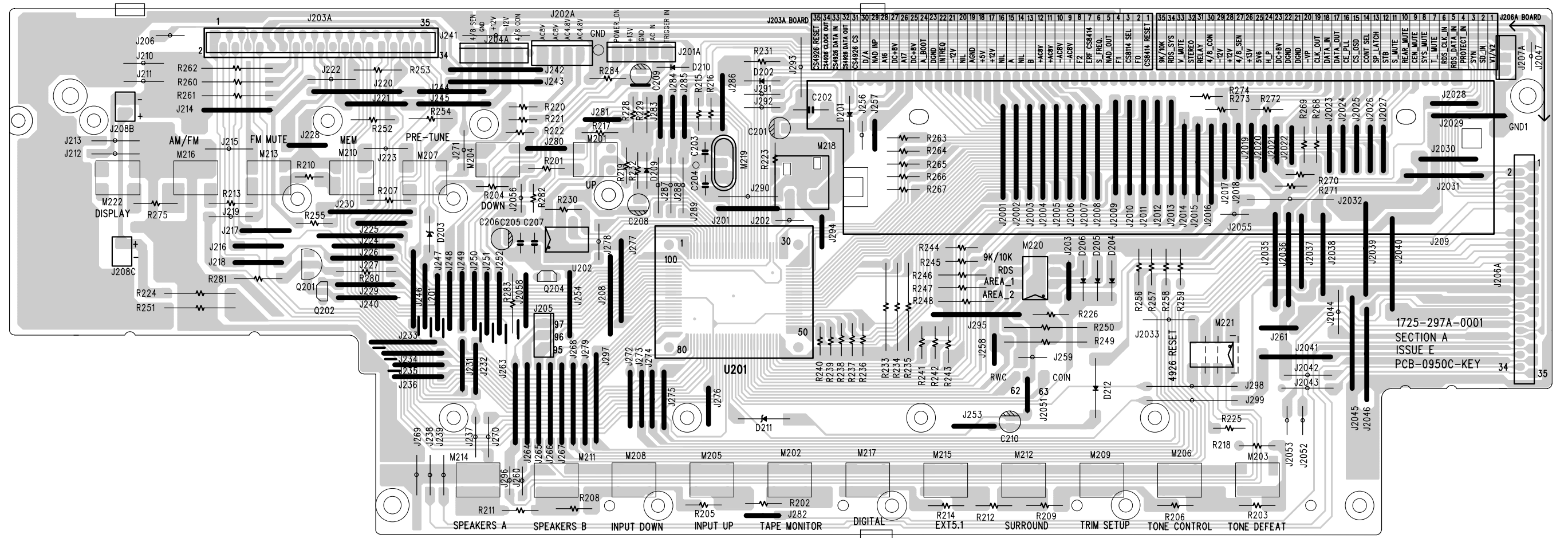
AC3 BOARD - SOLDER SIDE



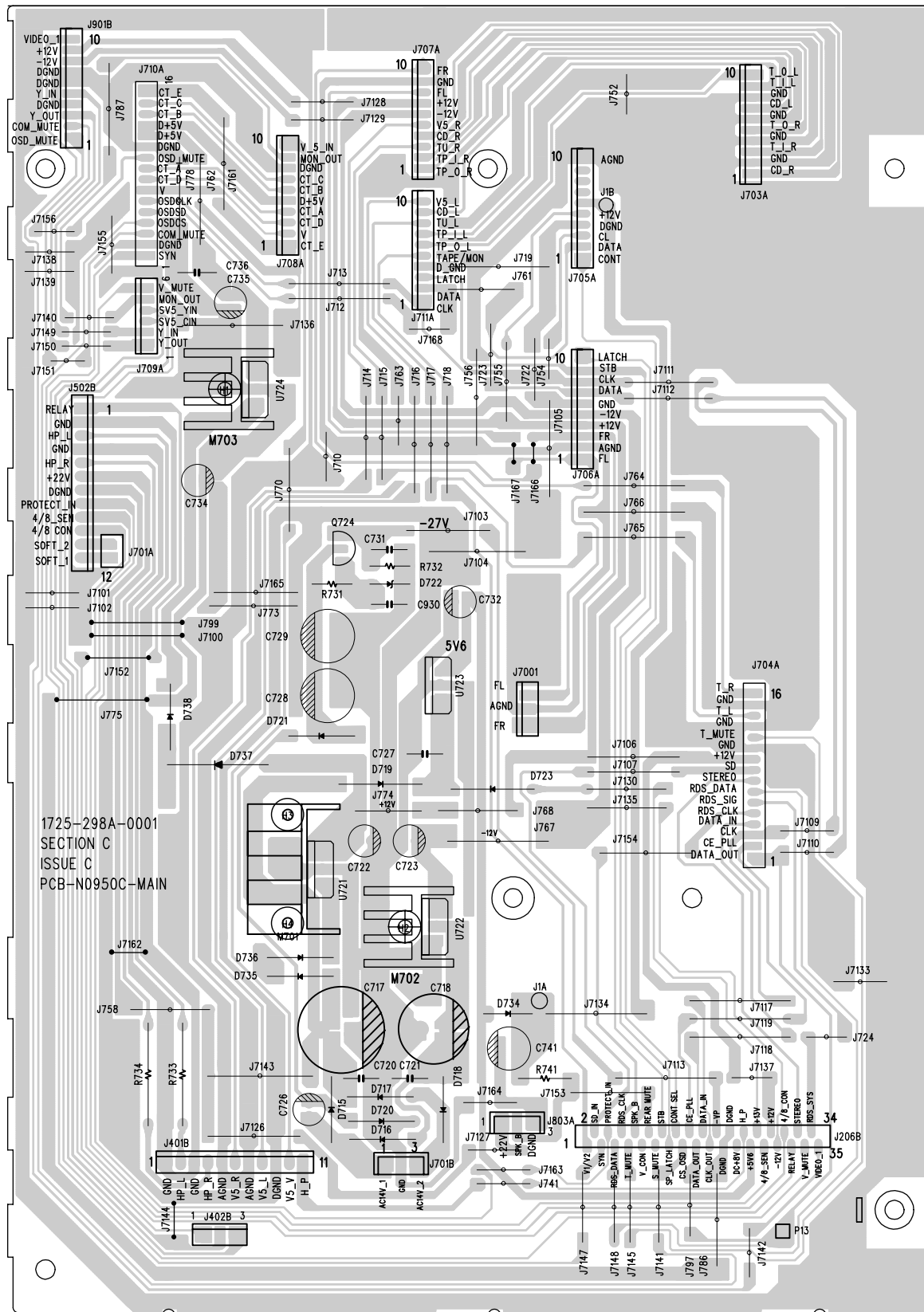
KEY BOARD - COMPONENT SIDE



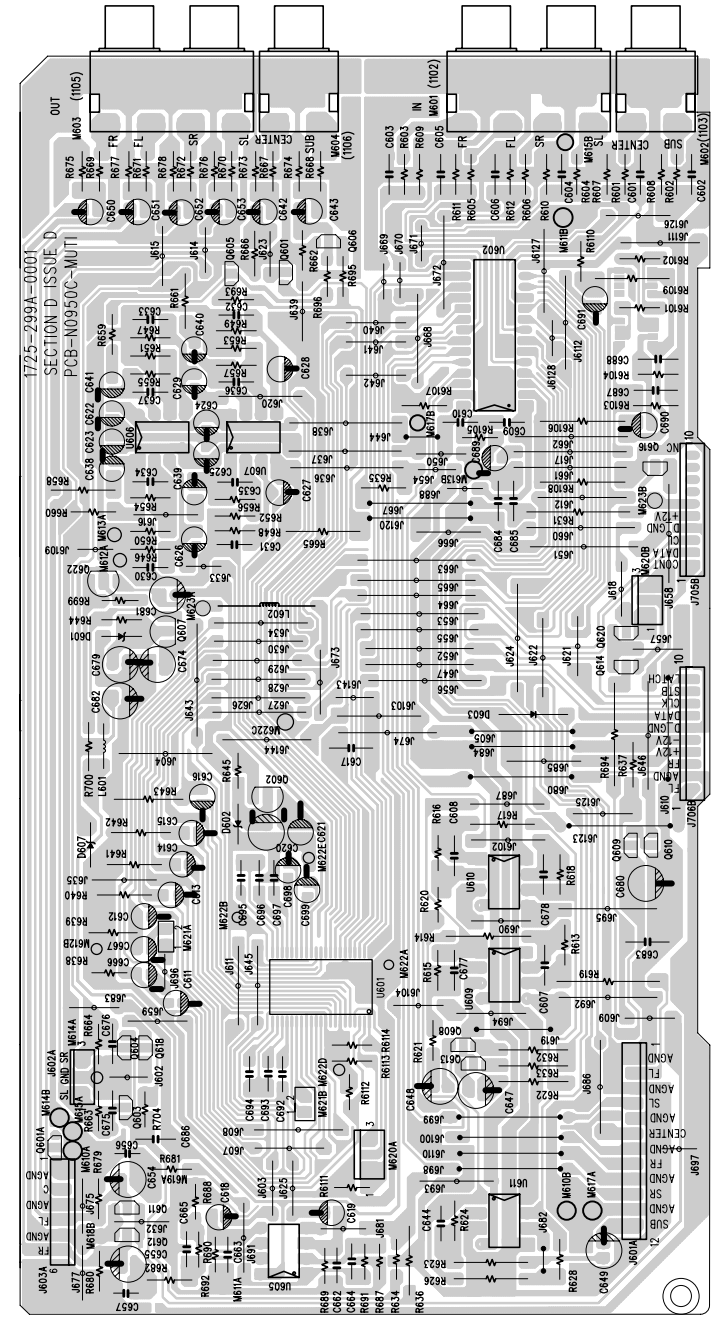
KEY BOARD - SOLDER SIDE



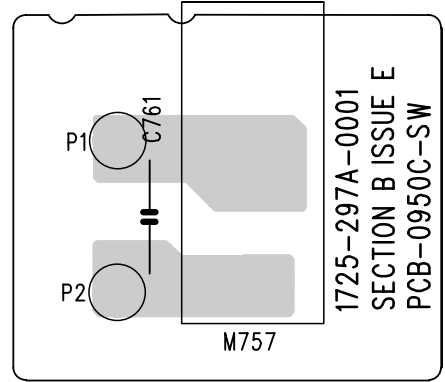
MAIN BOARD



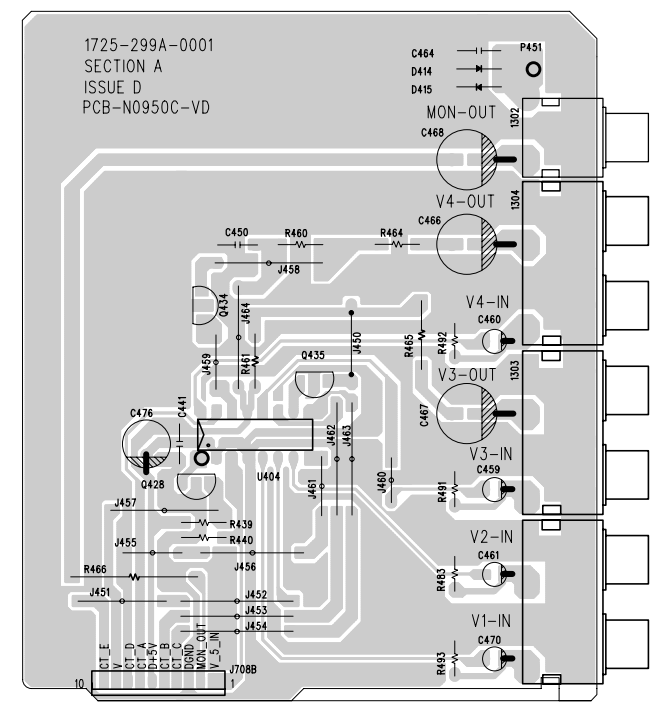
MULTI-CHANNEL BOARD



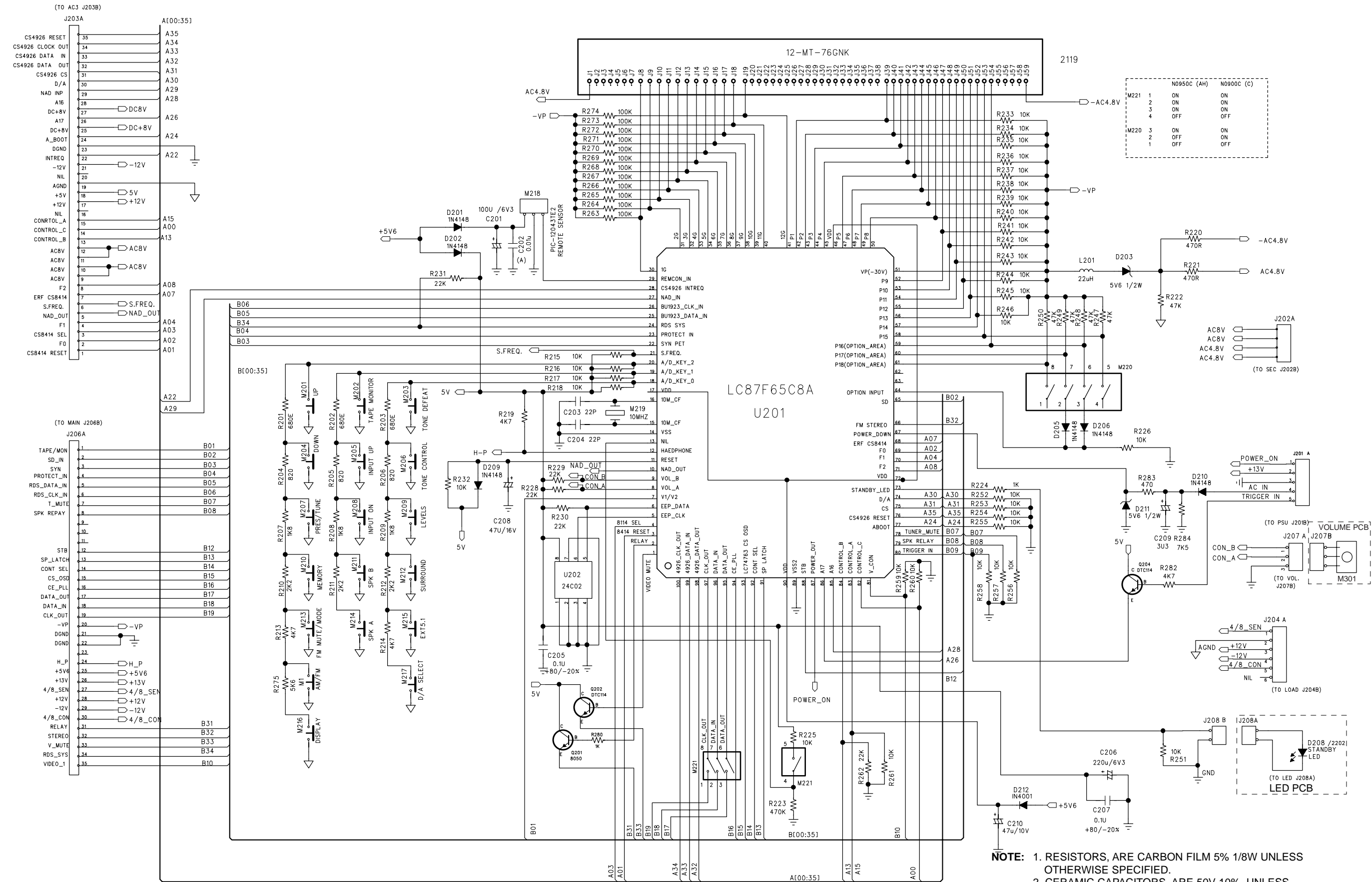
POWER SWITCH BOARD



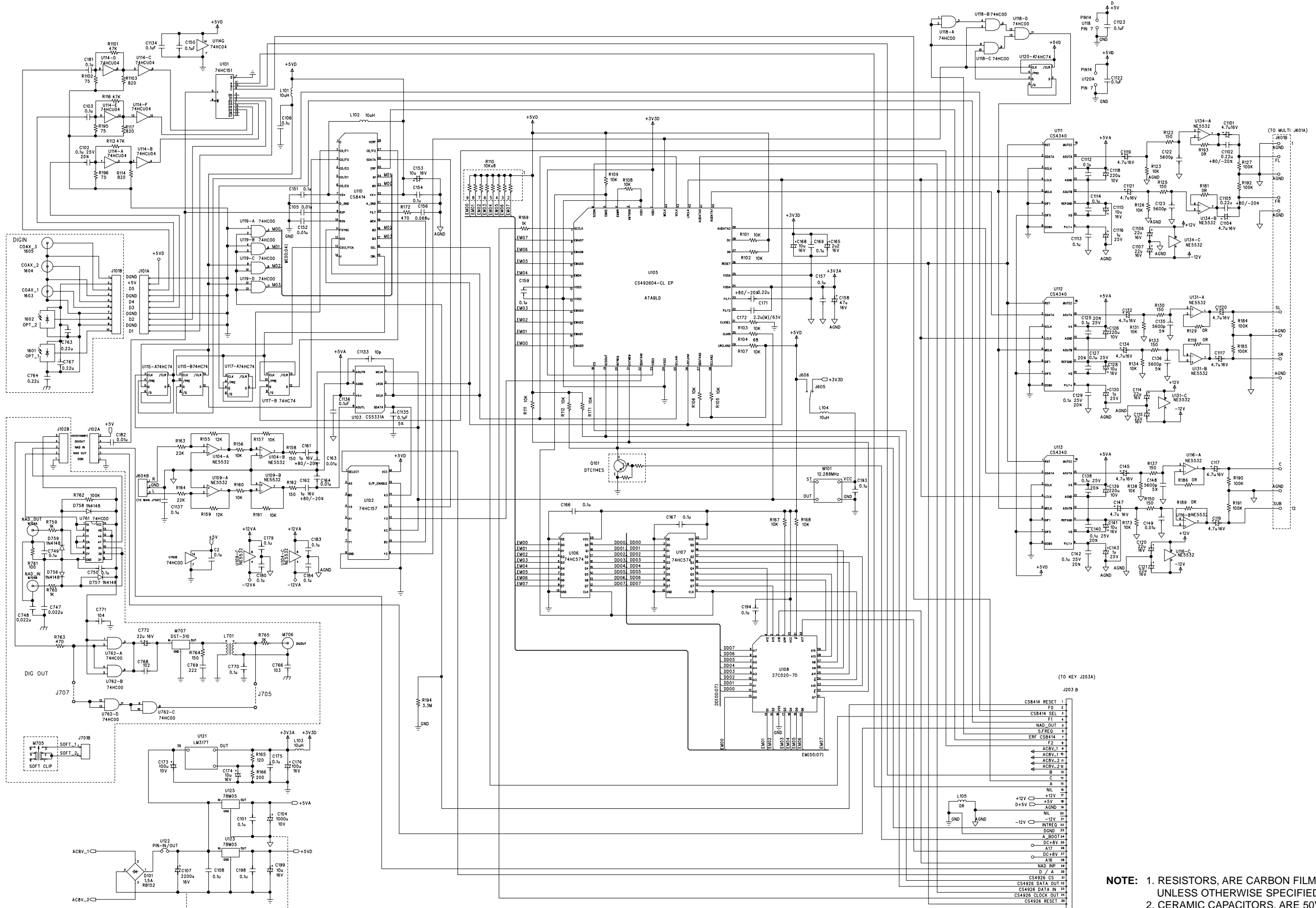
VIDEO BOARD



KEYBOARD

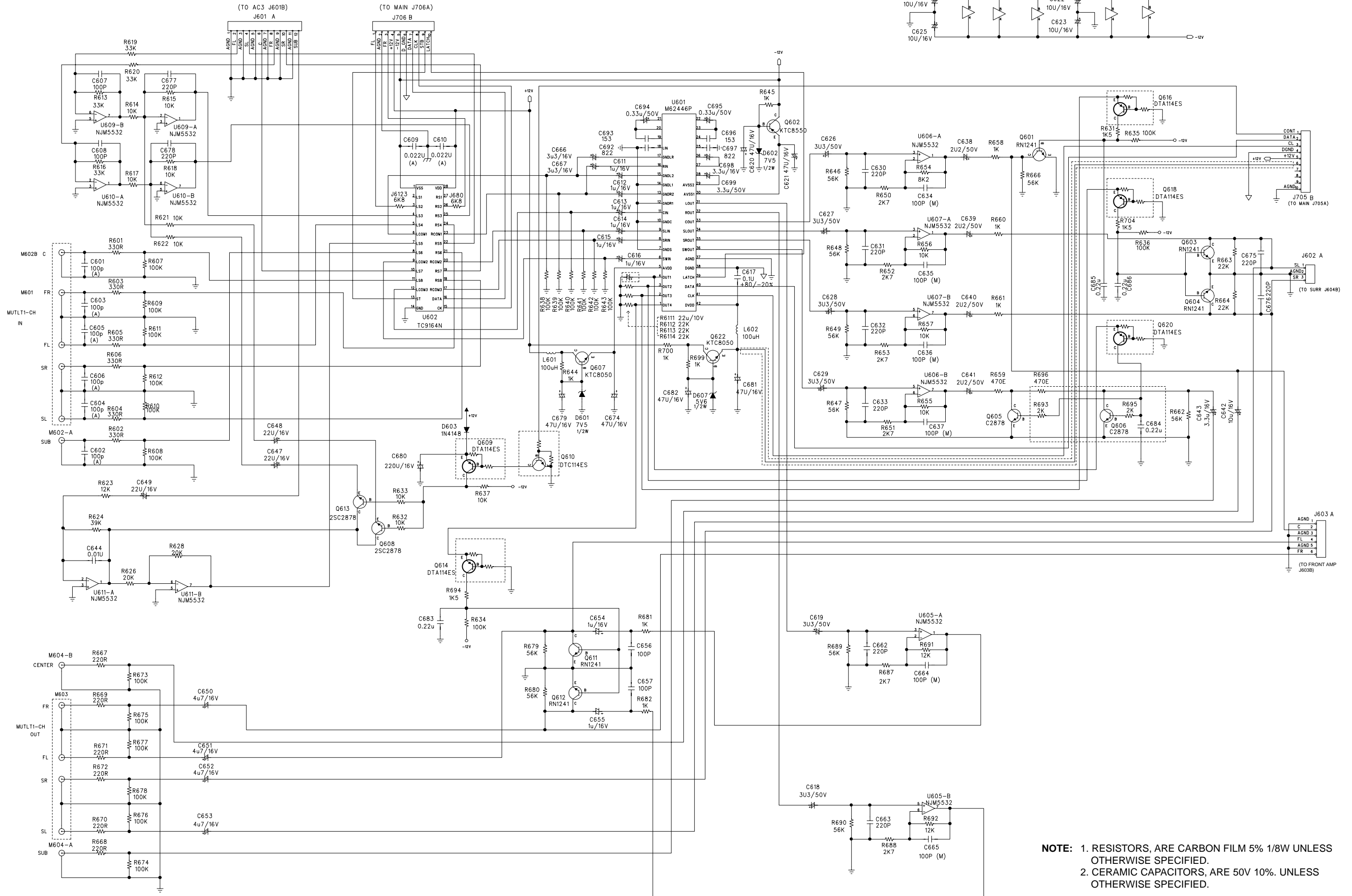


NOTE: 1. RESISTORS, ARE CARBON FILM 5% 1/8W UNLESS OTHERWISE SPECIFIED.
2. CERAMIC CAPACITORS, ARE 50V 10%. UNLESS OTHERWISE SPECIFIED.



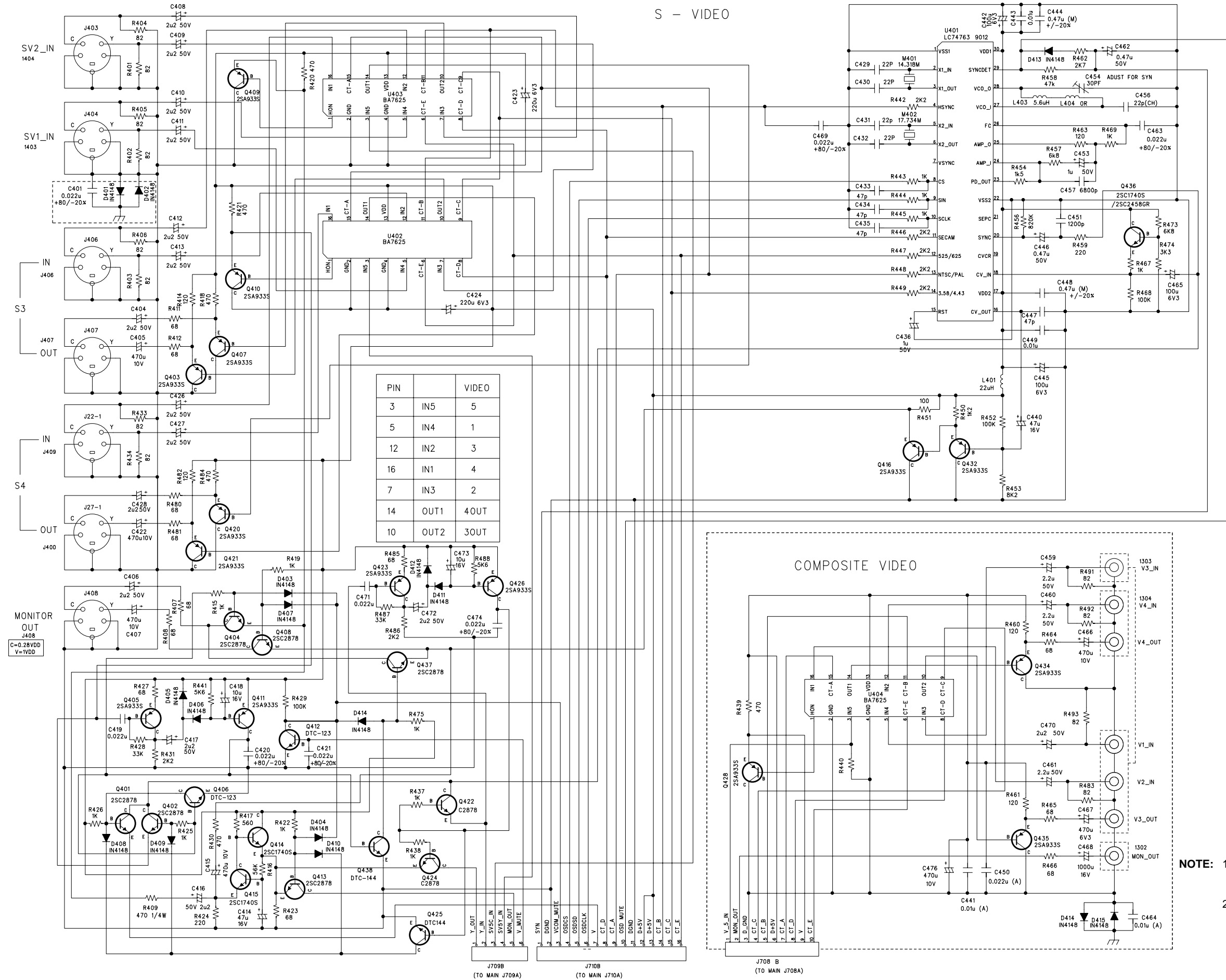
NOTE: 1. RESISTORS, ARE CARBON FILM 5% 1/10W UNLESS OTHERWISE SPECIFIED.
 2. CERAMIC CAPACITORS, ARE 50V 10%. UNLESS OTHERWISE SPECIFIED.

MULTI-CHANNEL



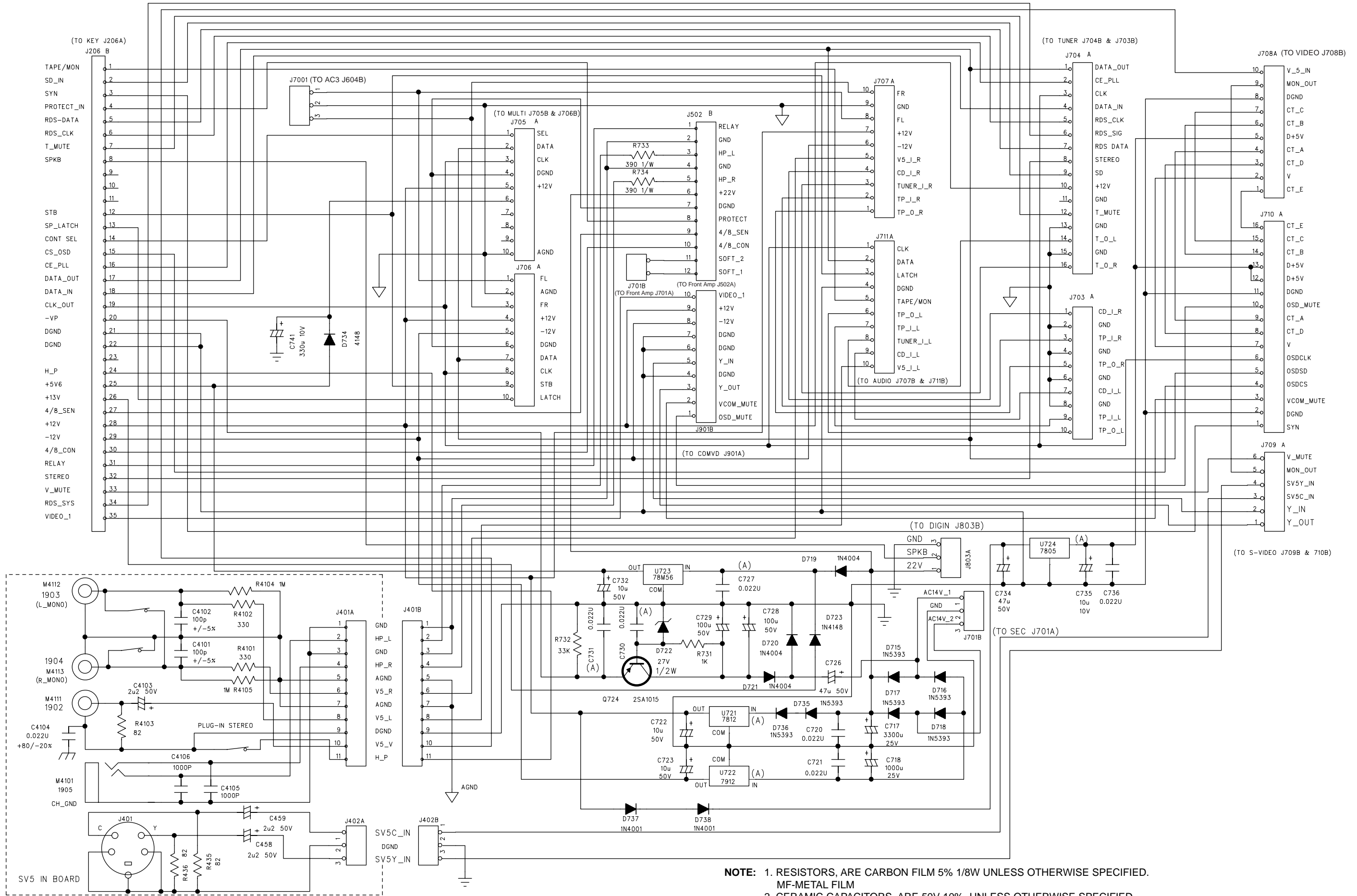
NOTE: 1. RESISTORS, ARE CARBON FILM 5% 1/8W UNLESS OTHERWISE SPECIFIED.
 2. CERAMIC CAPACITORS, ARE 50V 10%. UNLESS OTHERWISE SPECIFIED.

S-VIDEO / VIDEO



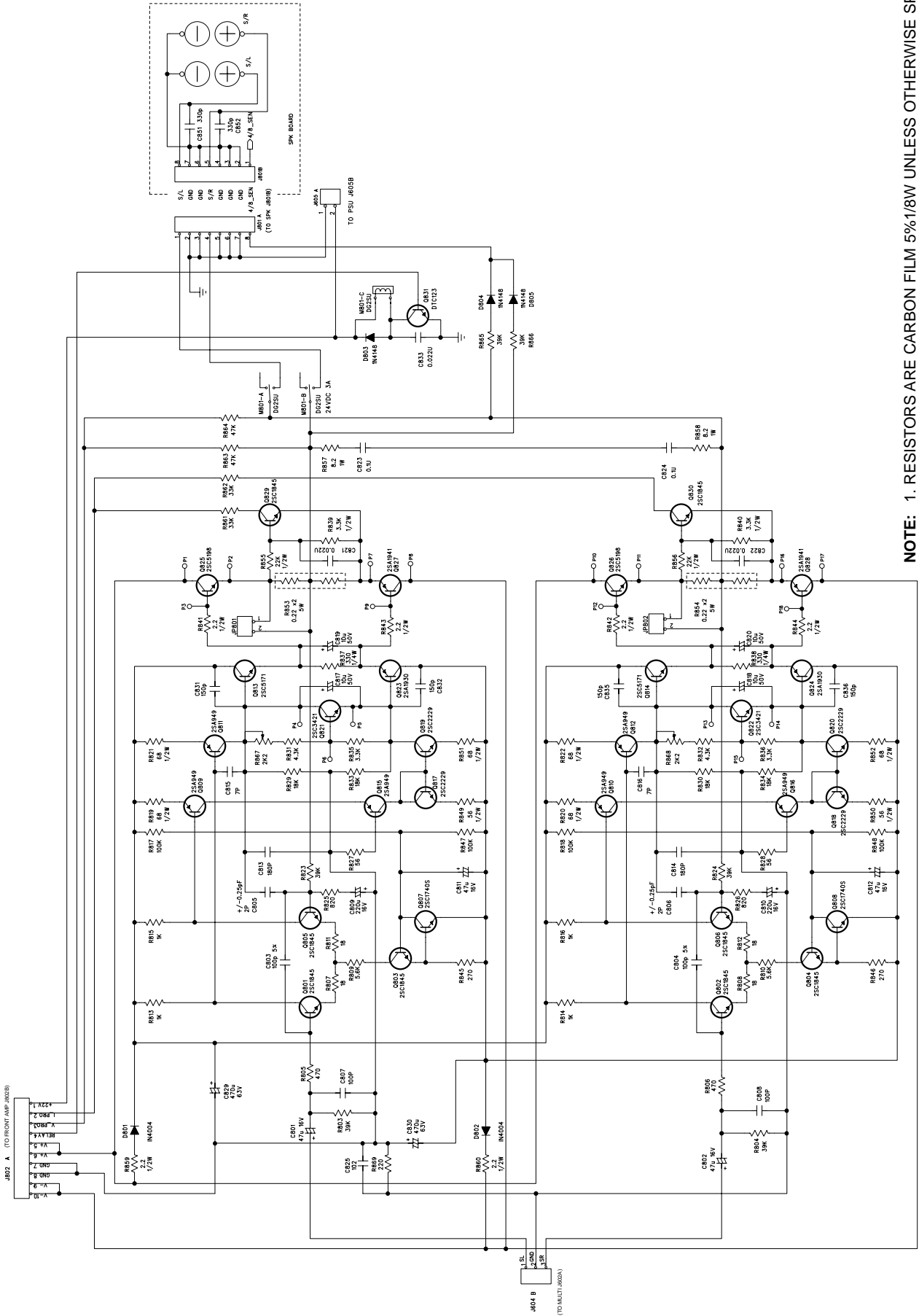
NOTE: 1. RESISTORS ARE CARBON FILM 5% 1/8W UNLESS OTHERWISE SPECIFIED.
 2. CERAMIC CAPACITORS ARE 50V 10%. UNLESS OTHERWISE SPECIFIED.

MAIN BOARD / VIDEO 5



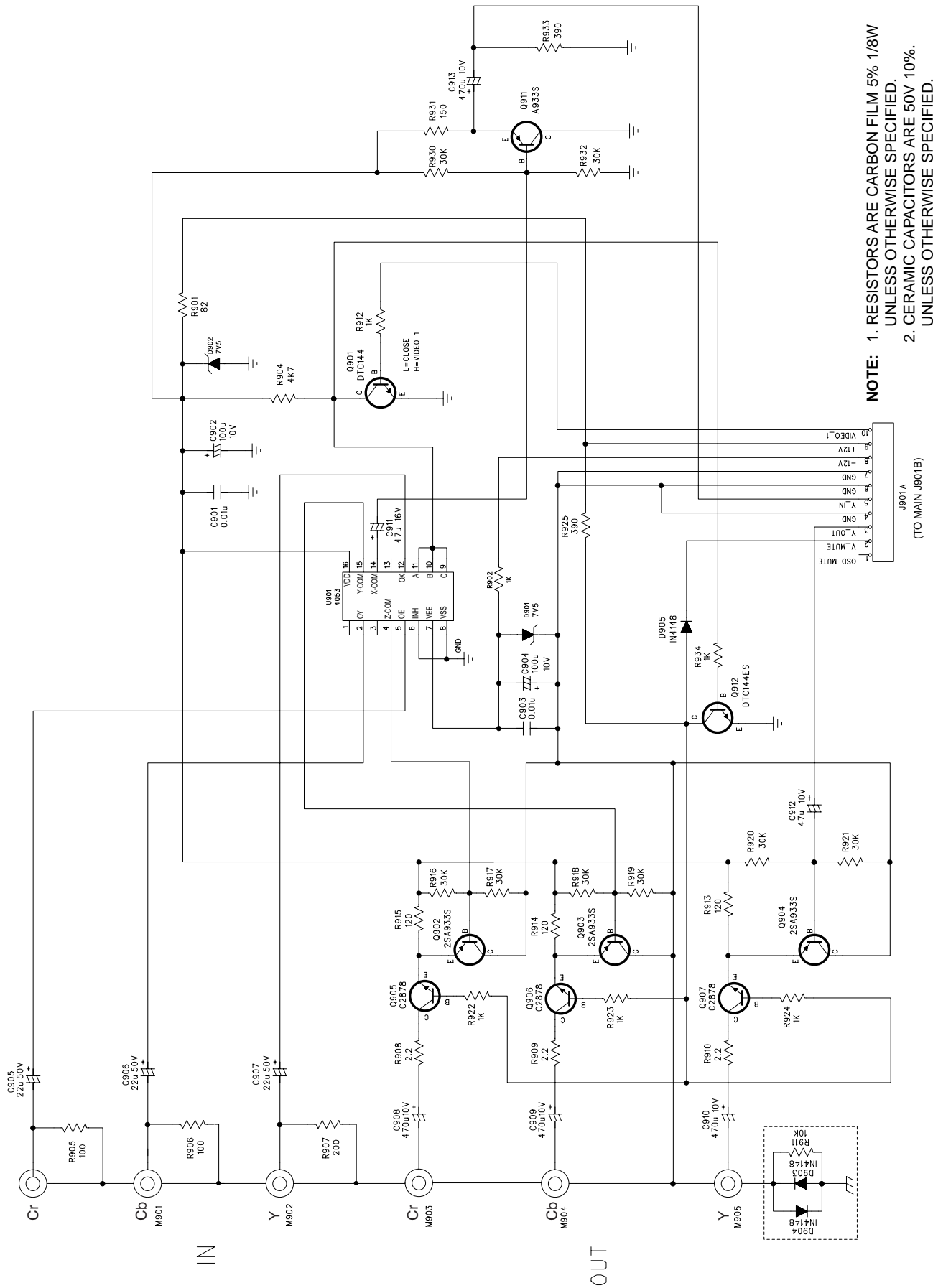
NOTE: 1. RESISTORS, ARE CARBON FILM 5% 1/8W UNLESS OTHERWISE SPECIFIED.
 MF-METAL FILM
 2. CERAMIC CAPACITORS, ARE 50V 10%. UNLESS OTHERWISE SPECIFIED.

SURROUND AMPLIFIER

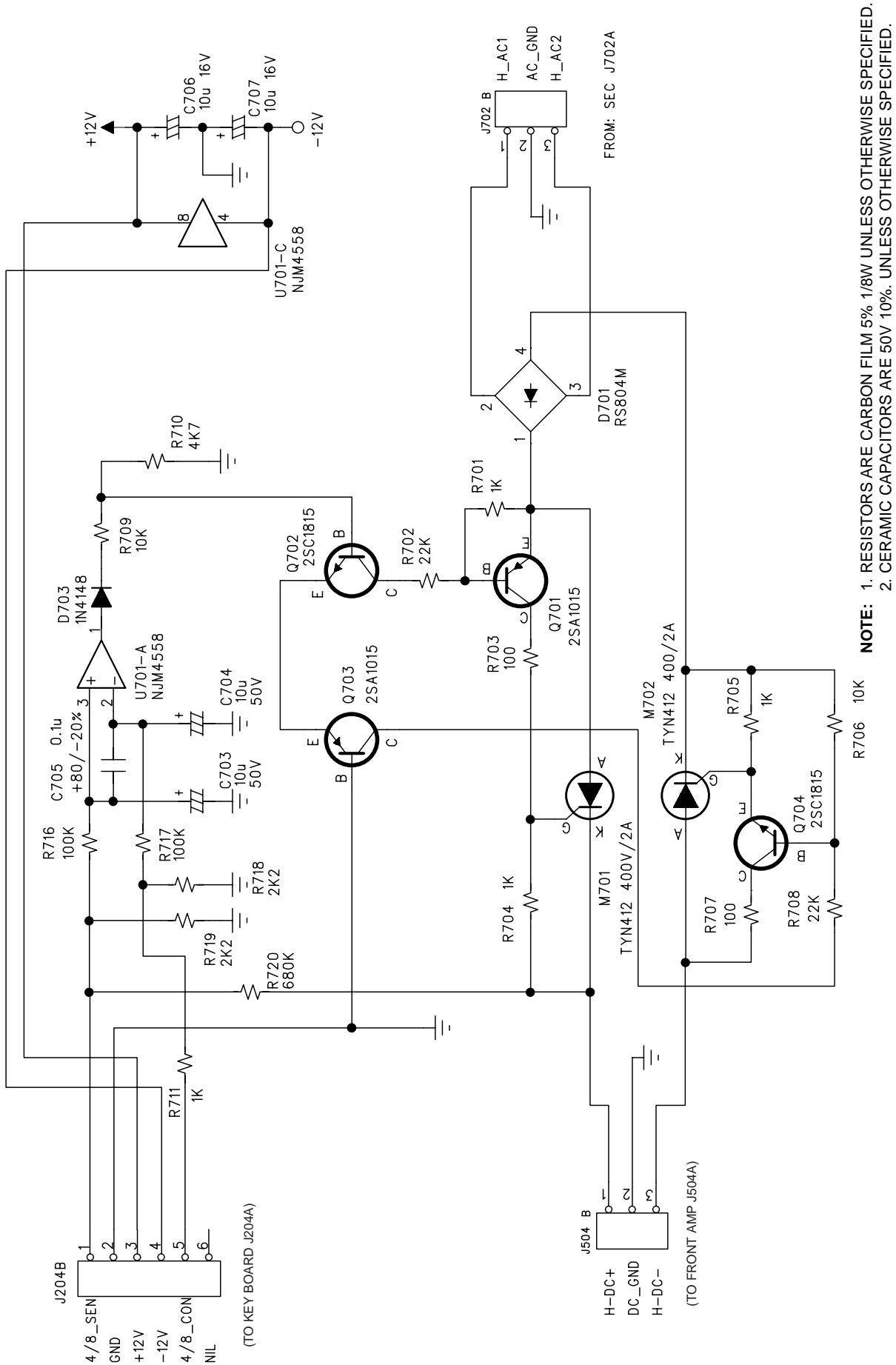


- NOTE:**
1. RESISTORS ARE CARBON FILM 5%/18W UNLESS OTHERWISE SPECIFIED.
MF - METAL FILM
 2. CERAMIC CAPACITORS ARE 50V 10%. UNLESS OTHERWISE SPECIFIED.
 3. COMPONENTS MARKED "△" ARE SAFETY CRITICAL PARTS.

COMPONENT VIDEO



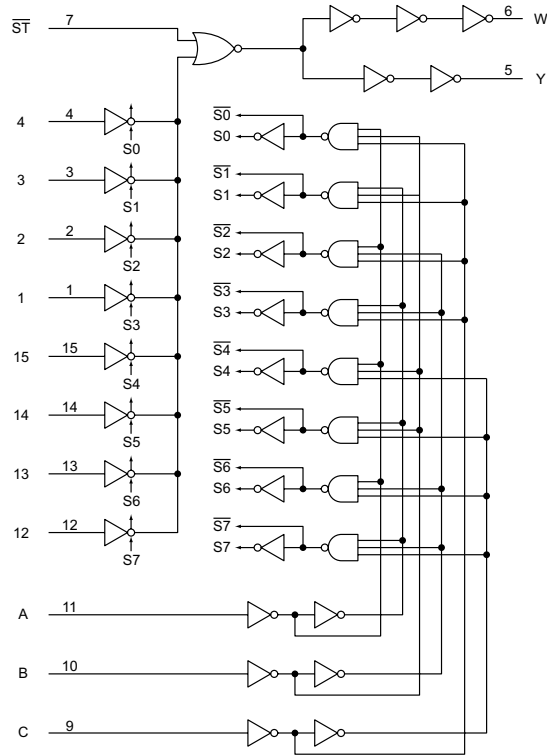
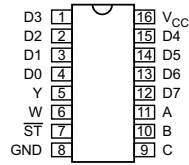
LOAD



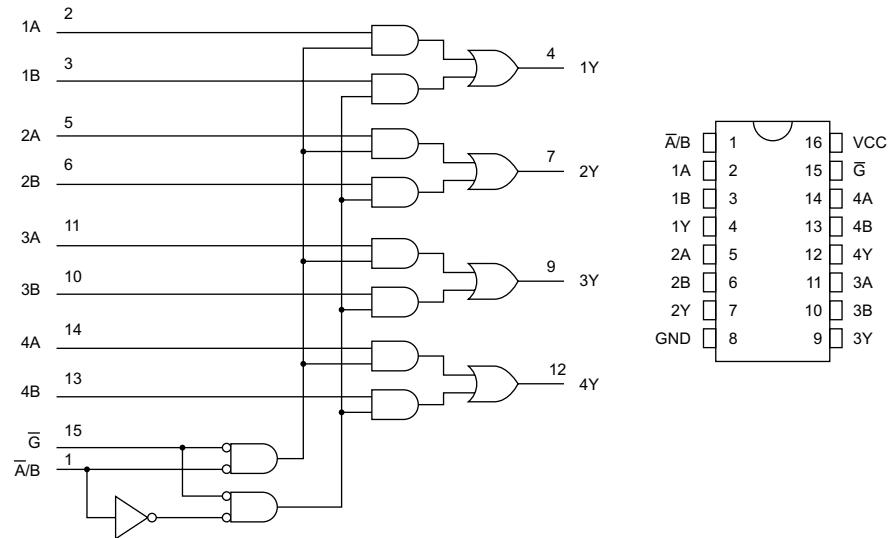
NOTE: 1. RESISTORS ARE CARBON FILM 5% 1/8W UNLESS OTHERWISE SPECIFIED.
 2. CERAMIC CAPACITORS ARE 50V 10%. UNLESS OTHERWISE SPECIFIED.

IC BLOCK DIAGRAM

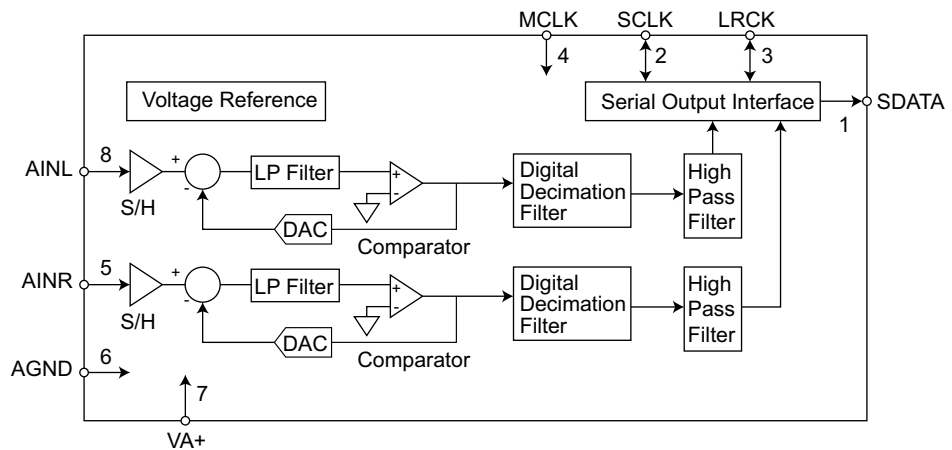
AC3 BOARD U101: 74HC151



AC3 BOARD U102: 74HC157



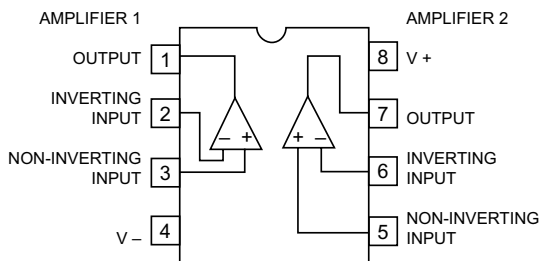
AC3 BOARD U103: CS5331A



AC3 BOARD

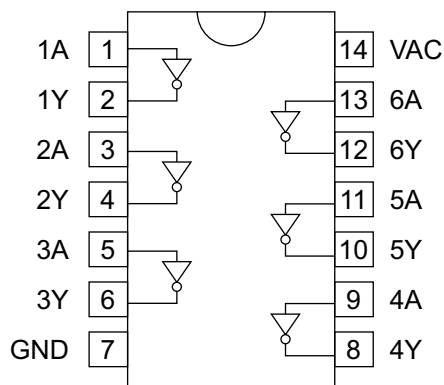
U104, U109, U116, U131

U134: NE5532



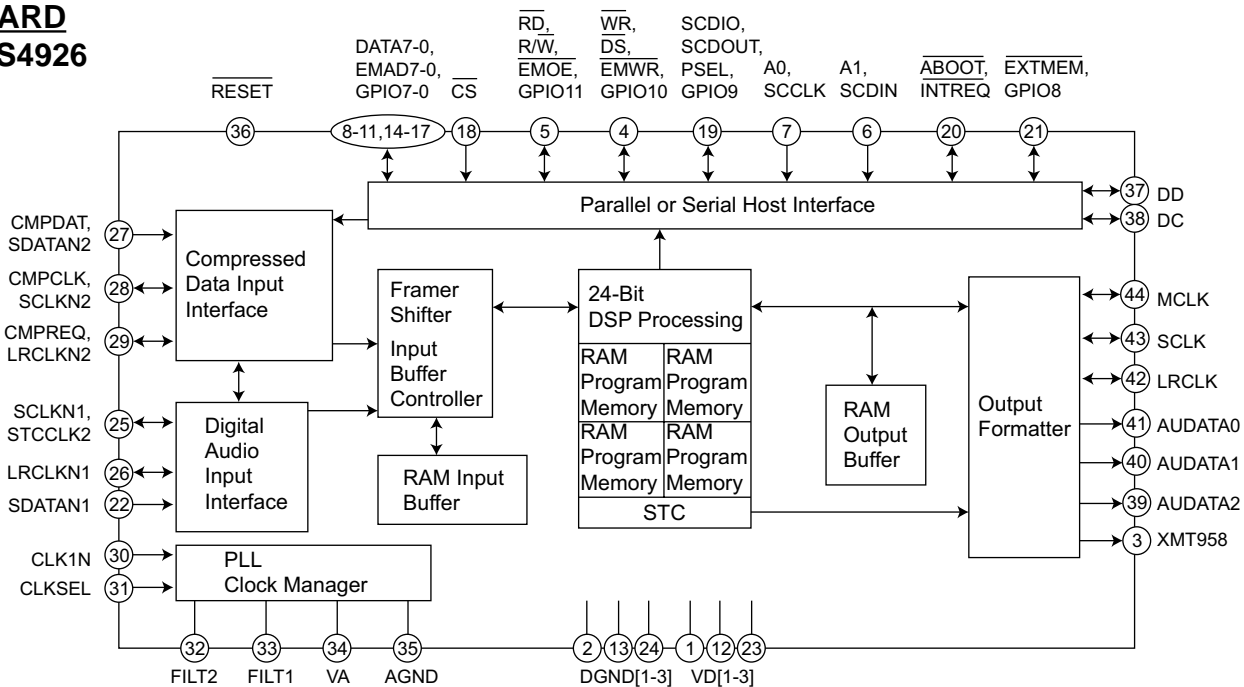
AC3 BOARD

U114: 74HCU04



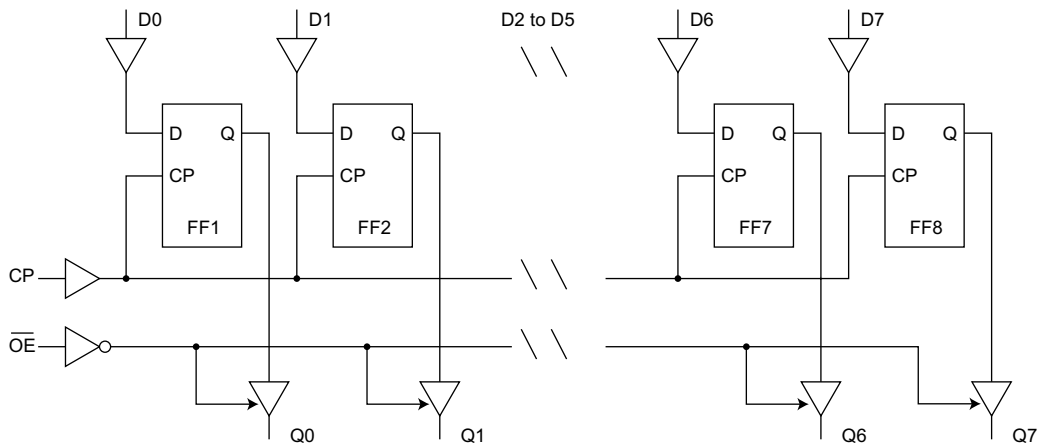
AC3 BOARD

U105: CS4926



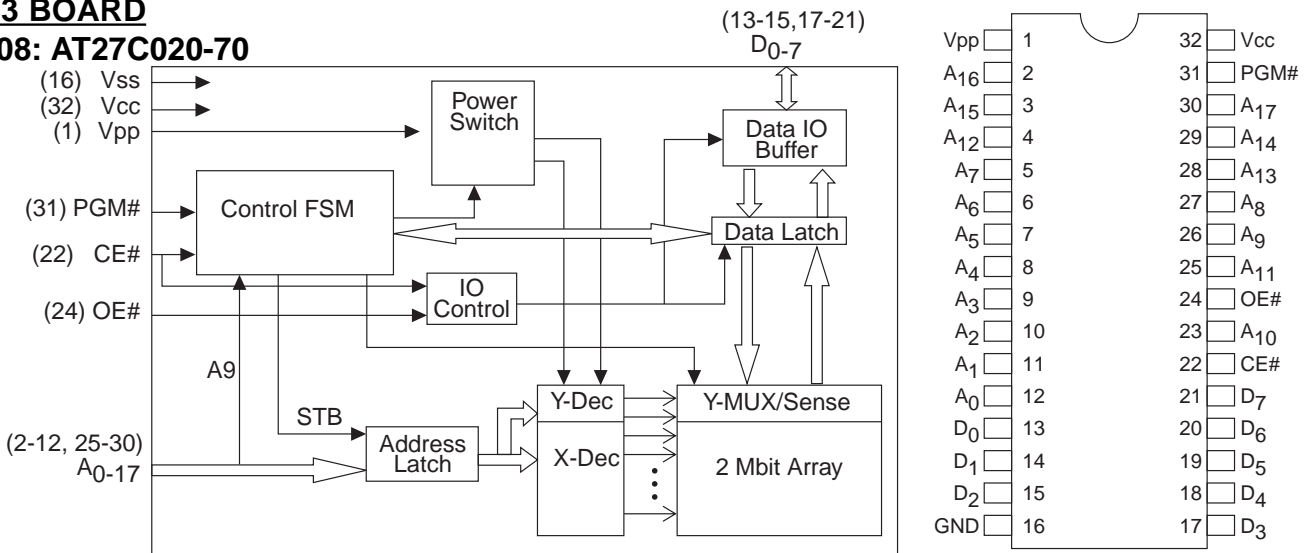
AC3 BOARD

U106, U107: 74HC574



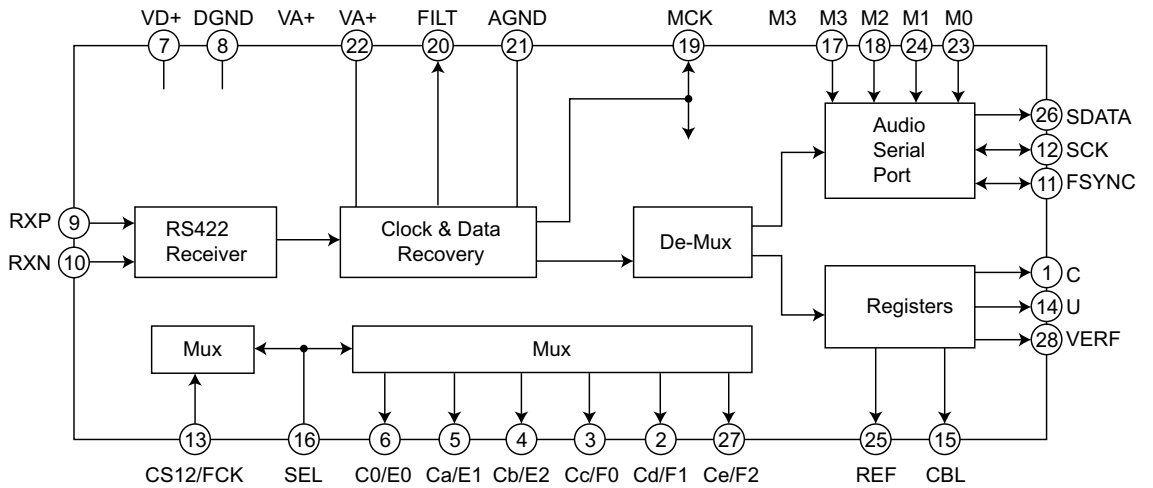
AC3 BOARD

U108: AT27C020-70



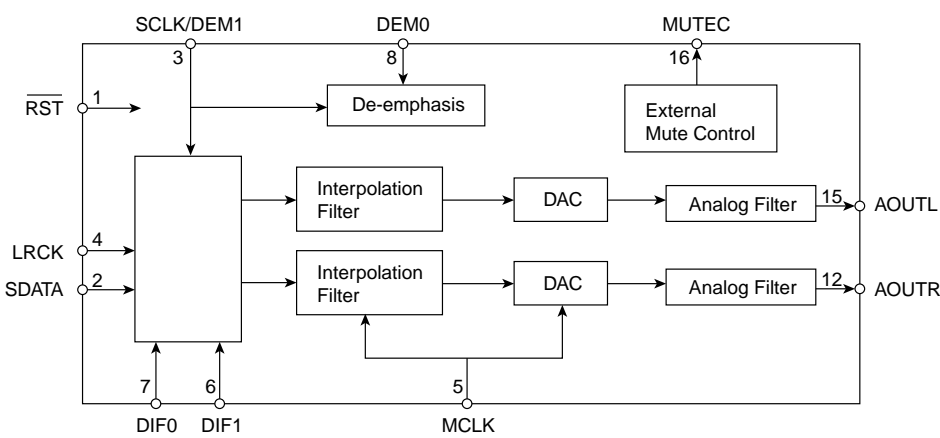
AC3 BOARD

U110: CS8414



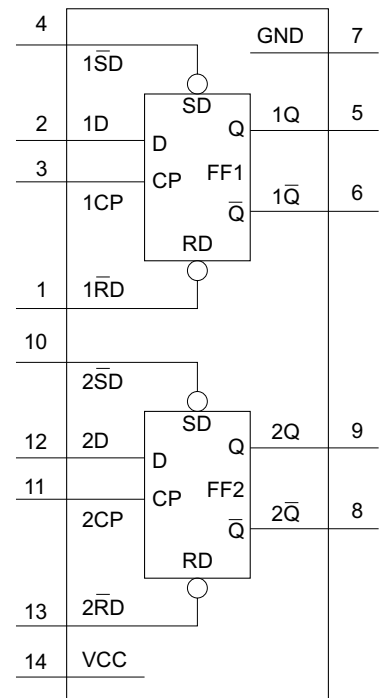
AC3 BOARD

U111-U113: CS4340



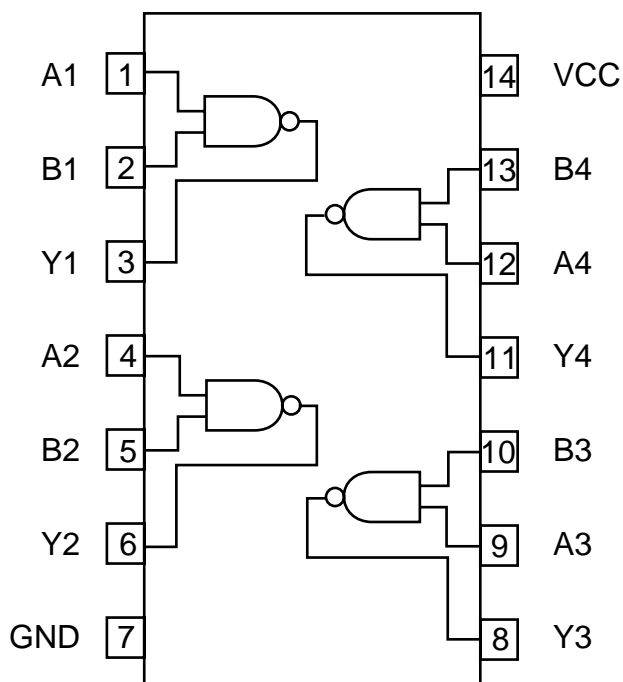
AC3 BOARD

U115,U117, U120: 74HC74



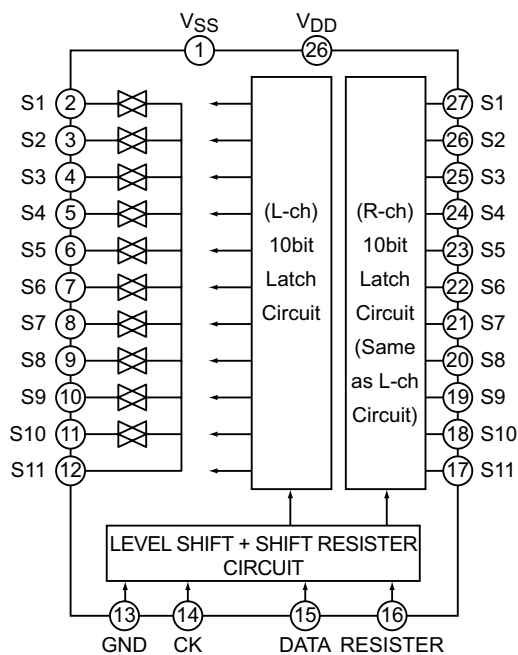
AC3 BOARD

U118-U119: 74HC00



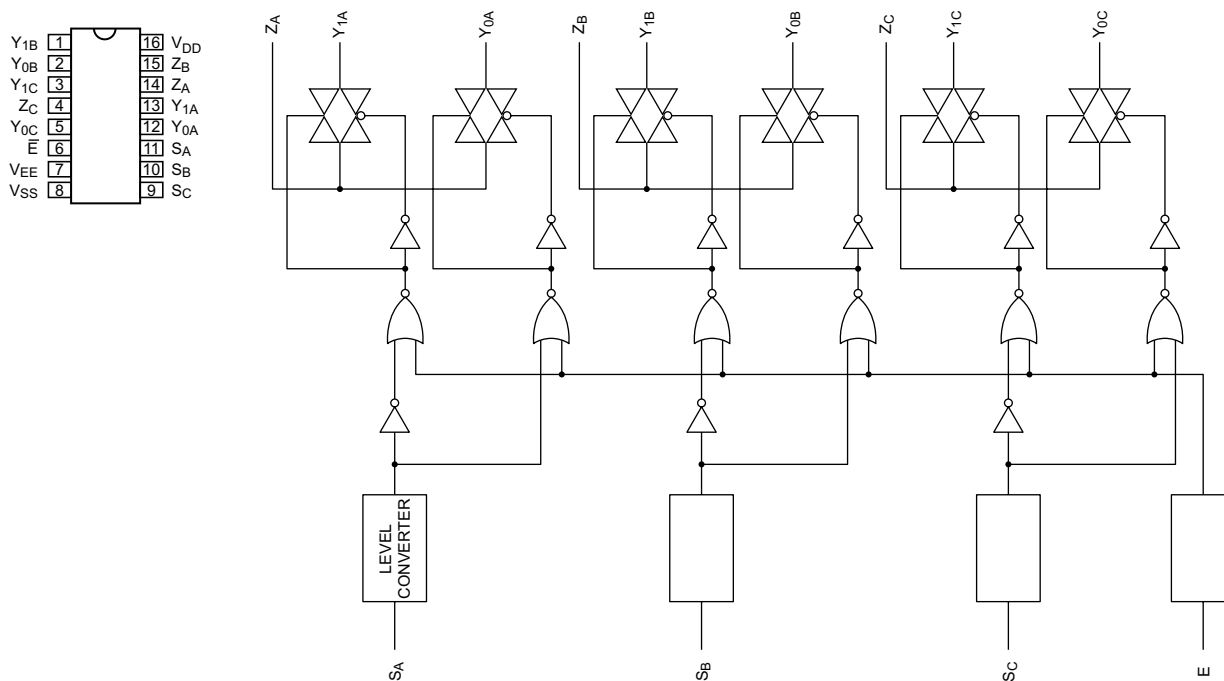
AUDIO BOARD

U301: TC9273N-004



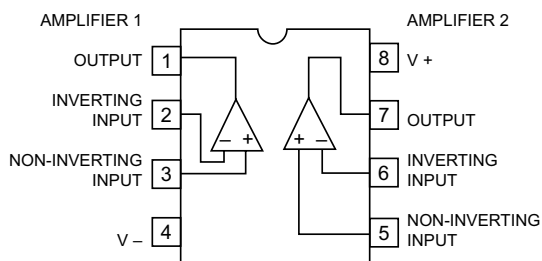
AUDIO BOARD / COMPONET VIDEO BOARD

U302, U901: HCF4053BT



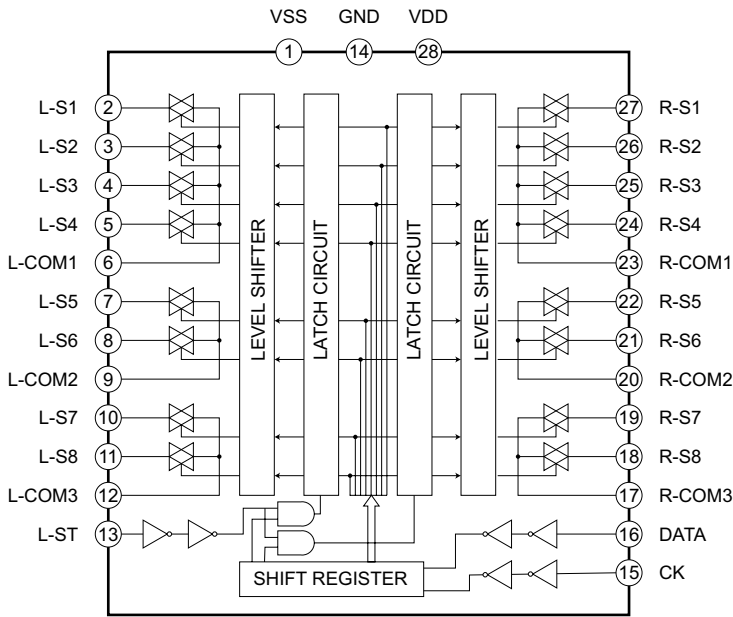
LOAD BOARD

U701: NJM4558D



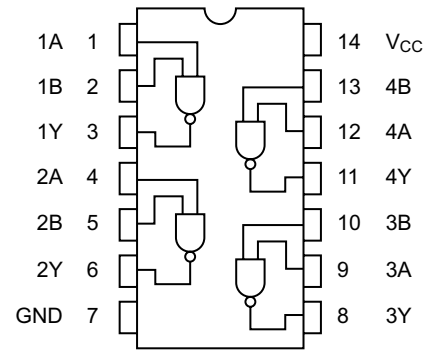
MULTI-CHANNEL BOARD

U602: TC9164AN



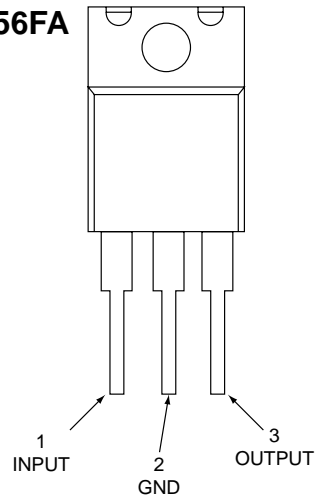
DIGITAL OUT BOARD

U761,U762: 74HCT00



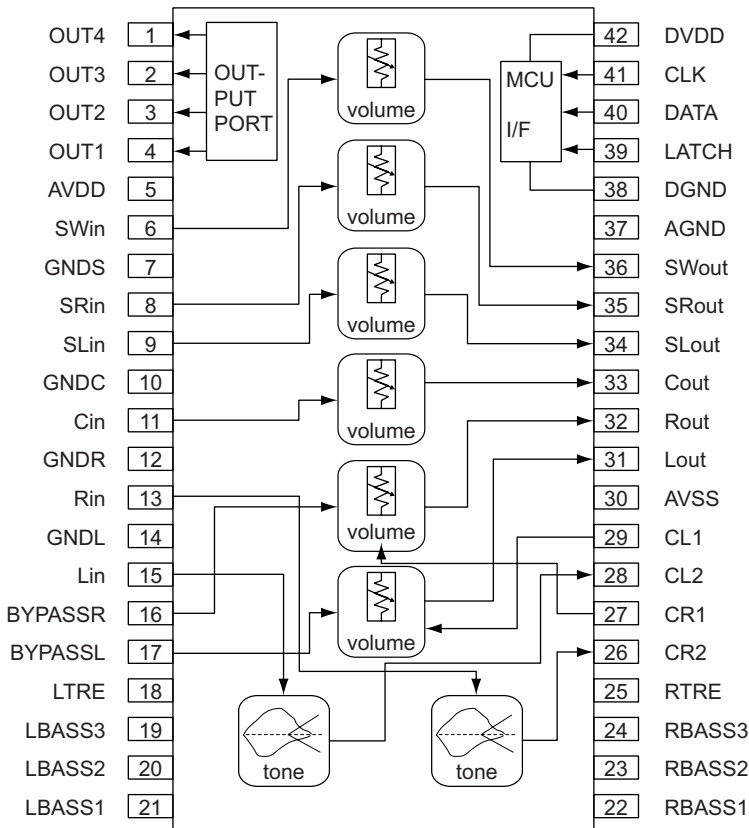
MAIN BOARD

U723: NJM78M56FA



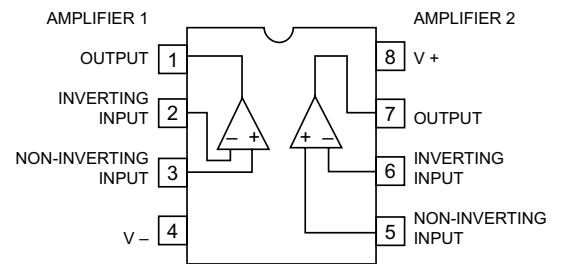
MULTI-CHANNEL BOARD

U601: M62446FP



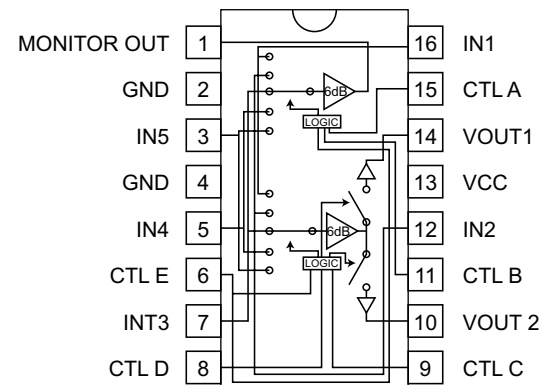
MULTI-CHANNEL BOARD

U605-U607, U609-U611: NJM5532



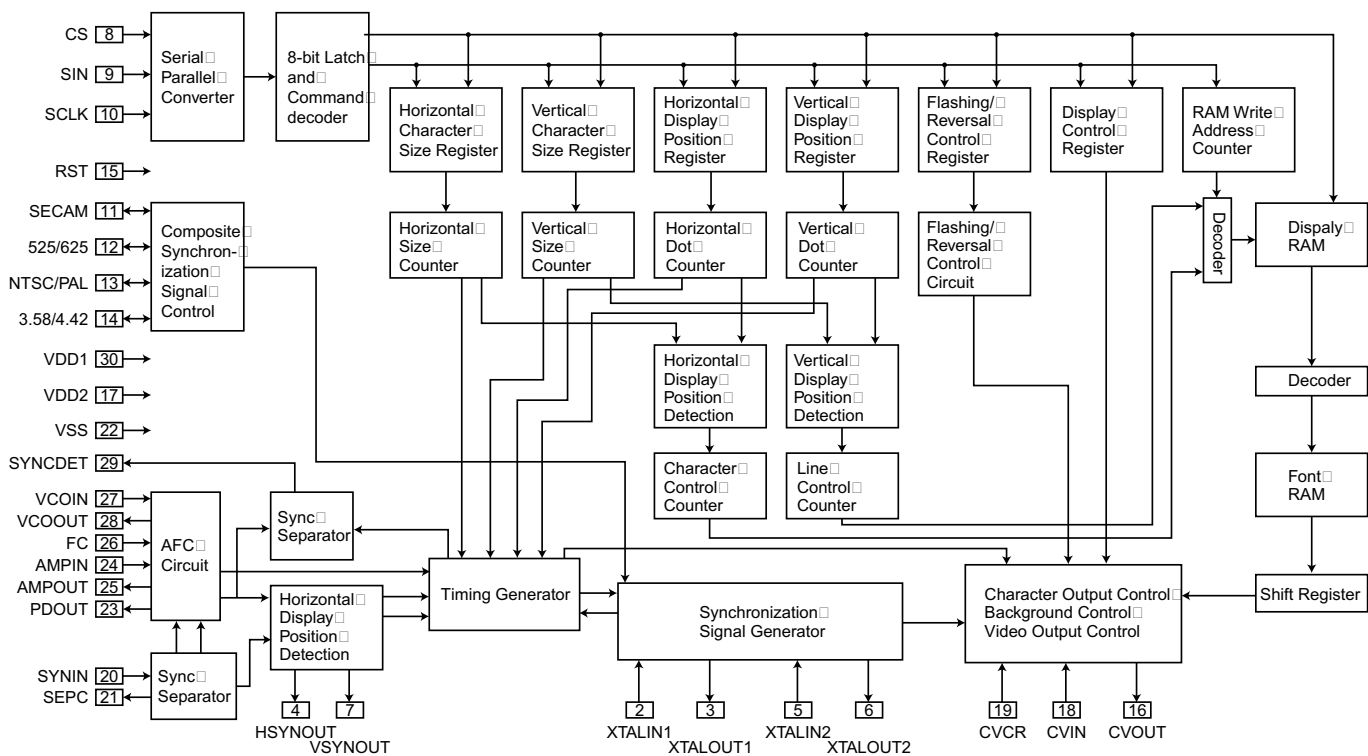
S-VIDEO & VIDEO BOARD

U402-U404: BA7625



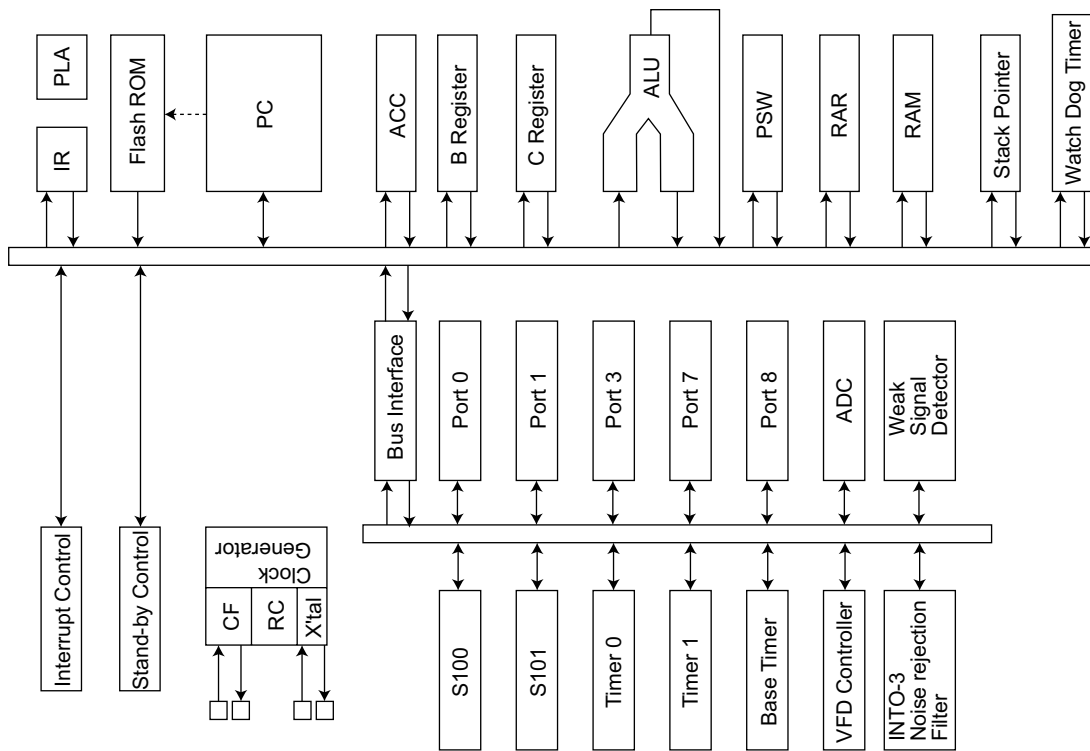
S-VIDEO & VIDEO BOARD

U401: LC74763-9012

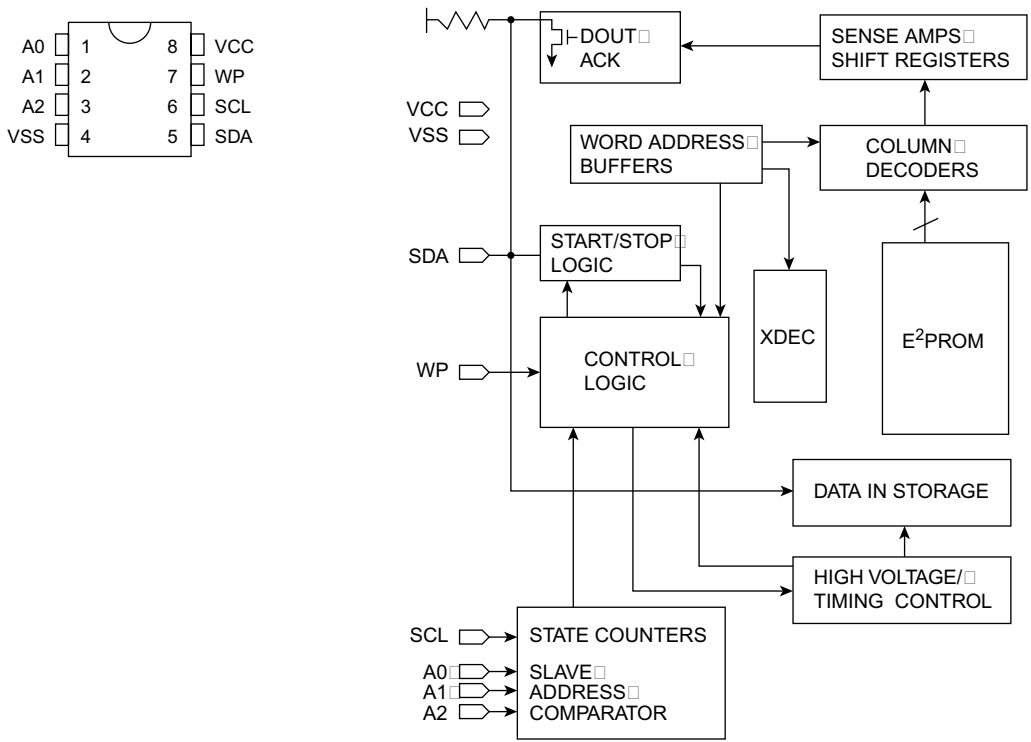


KEY BOARD

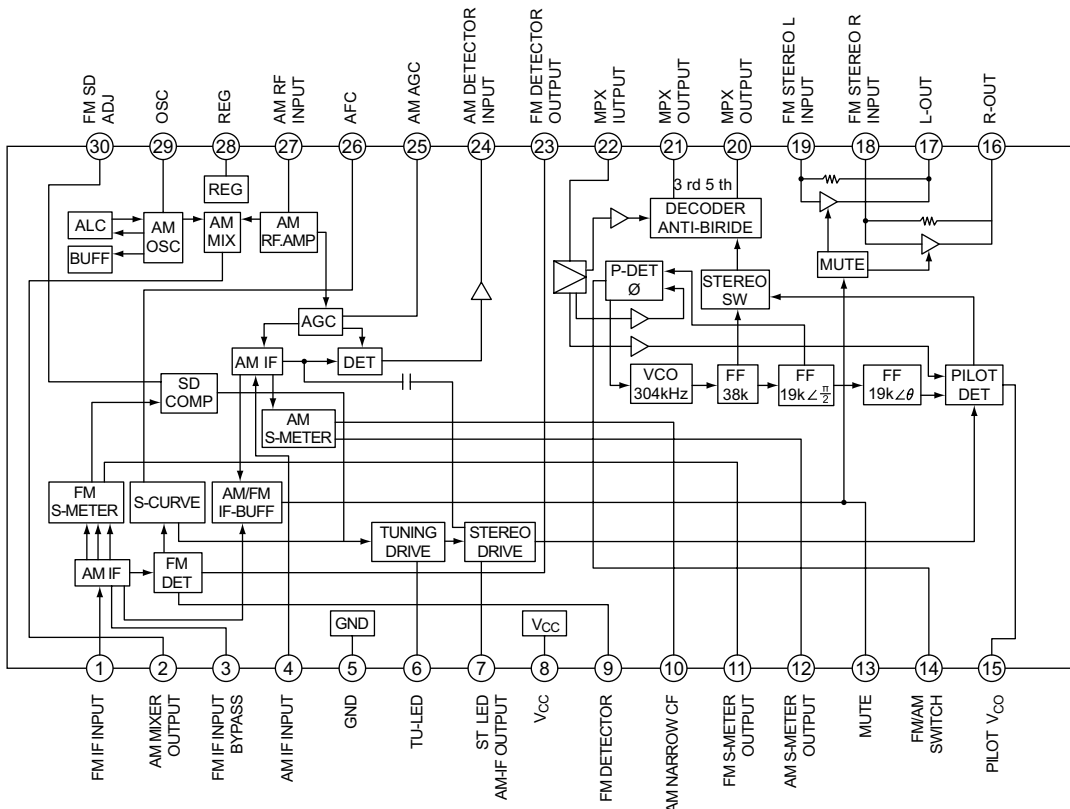
U201: LC87F65C8A



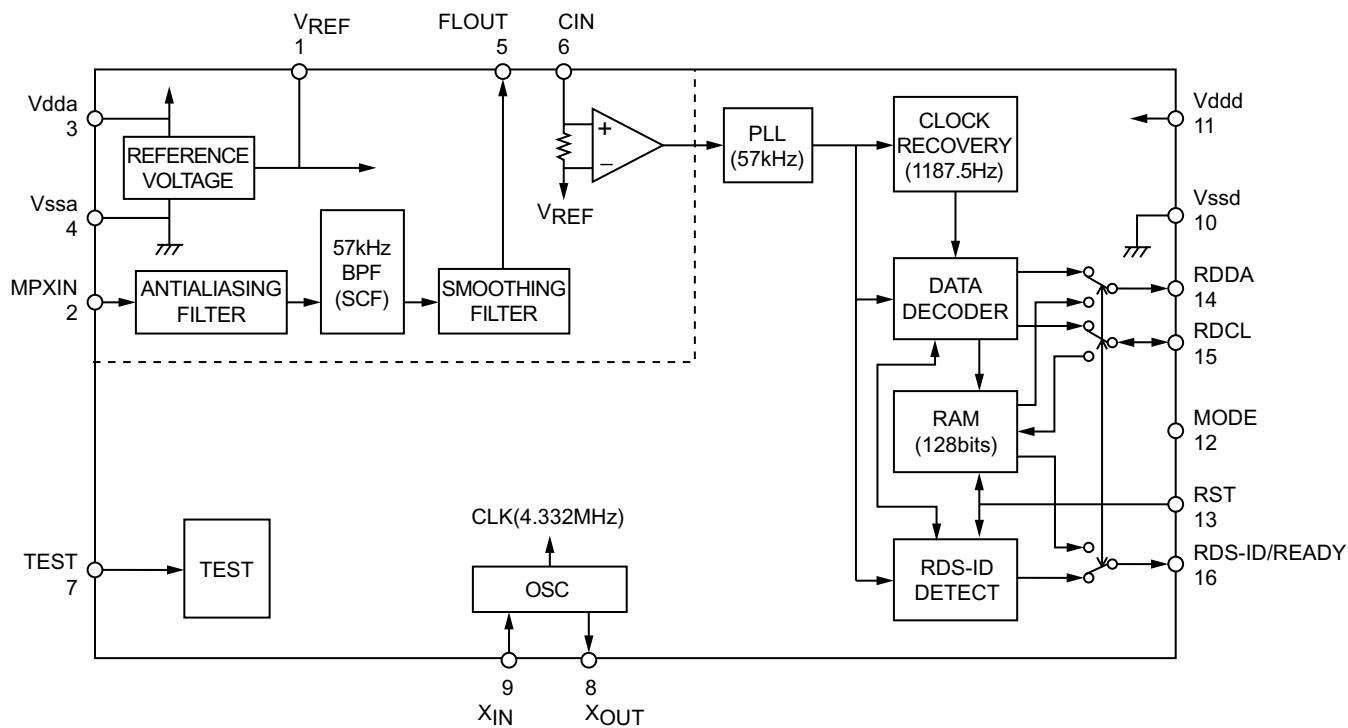
KEY BOARD
U202: AT24C02



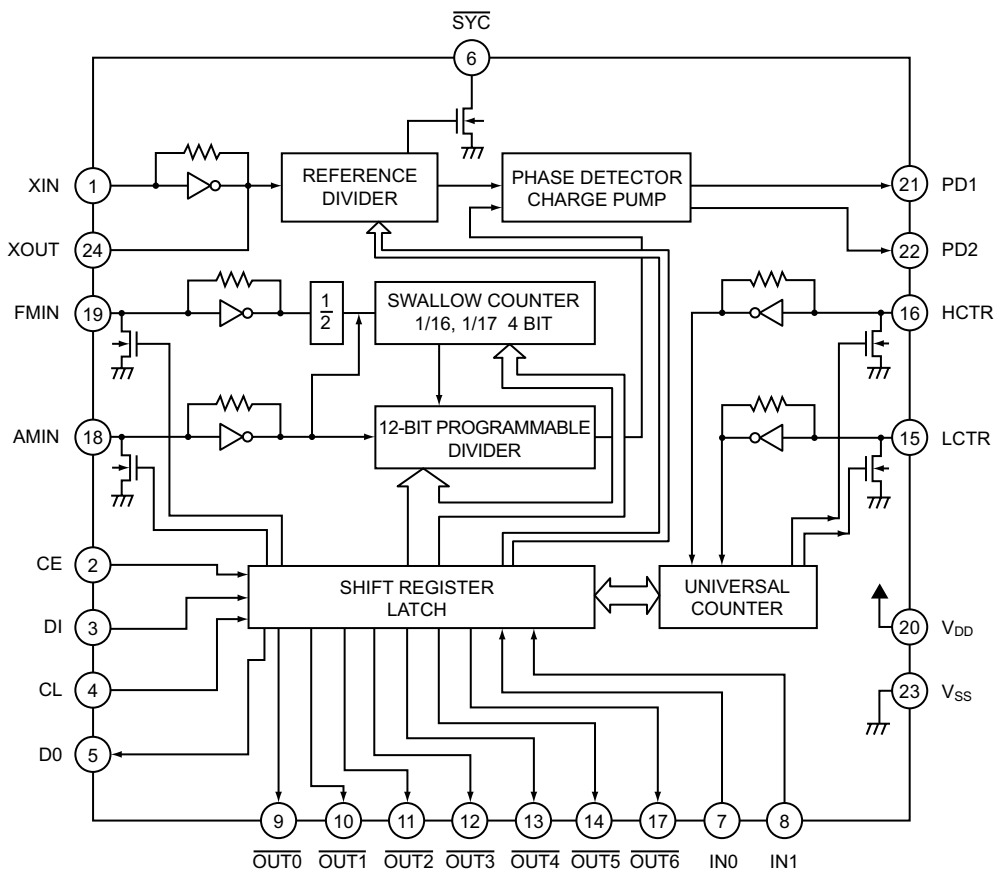
TUNER BOARD
U901: LA1837



TUNER BOARD
U902: LC72723M



TUNER BOARD
U903: LC7218




ELECTRICAL PARTS LIST

<u>Reference No.</u>	<u>Part No.</u>	<u>Description</u>
AC3 BOARD PC BOARD 0001	PCB-N0950C-AC3	AC3 ASSEMBLY
CAPACITORS		
C101, C103	150F-104M-J-BD	CC 50V 0.1μF 20% 0805
C102	150E-104M-J-BD	CC 25V 0.1μF 20% 0805
C104	157C-108M-5-S5	CE 10V 1000μF 20% RL 10x16
C105	150F-103K-J-BD	CC 50V 0.01μF 10% 0805
C106, C108	150F-104M-J-BD	CC 50V 0.1μF 20% 0805
C107	157D-228M-5-W9	CE 16V 2200μF 20% RL 12x20
C1101, C1104	157D-475M-5-EI	CE 16V 4.7μF 20% RL 3x5
C1102, C1105	15FF-224Z-J-BD	CC 50V 0.22μF +80/-20% 0805
C1106, C1107	157D-226M-5-GM	CE 16V 22μF 20% RL 4x7
C1112-C1114, C1122	150F-104M-J-BD	CC 50V 0.1μF 20% 0805
C1123, C1131, C1132	150F-104M-J-BD	CC 50V 0.1μF 20% 0805
C1134, C1136, C1137	150F-104M-J-BD	CC 50V 0.1μF 20% 0805
C1115	157D-106M-5-GM	CE 16V 10μF 20% RL 4x7
C1116	157E-105M-5-EI	CE 25V 1μF 20% RL 3x5
C1117	157D-475M-5-EI	CE 16V 4.7μF 20% RL 3x5
C1118	157D-227M-5-KW	CE 16V 220μF 20% RL 6x12
C1119-C1121	157D-475M-5-EI	CE 16V 4.7μF 20% RL 3x5
C1135	150F-100J-J-BD	CC 50V 10pF 5% 0805
C114, C115	157D-226M-5-GM	CE 16V 22μF 20% RL 4x7
C117, C119	157D-475M-5-EI	CE 16V 4.7μF 20% RL 3x5
C120, C121	157D-226M-5-GM	CE 16V 22μF 20% RL 4x7
C122, C123	150F-562J-J-BD	CC 50V 5600pF 5% 0805
C125	150E-104M-J-BD	CC 25V 0.1μF 20% 0805
C126	157D-227M-5-KW	CE 16V 220μF 20% RL 6x12
C127	150E-104M-J-BD	CC 25V 0.1μF 20% 0805
C128	157D-106M-5-GM	CE 16V 10μF 20% RL 4x7
C129	150E-104M-J-BD	CC 25V 0.1μF 20% 0805
C132, C134	157D-475M-5-EI	CE 16V 4.7μF 20% RL 3x5
C135, C136	150F-562J-J-BD	CC 50V 5600pF 5% 0805
C138	150E-104M-J-BD	CC 25V 0.1μF 20% 0805
C139	157D-227M-5-KW	CE 16V 220μF 20% RL 6x12
C140	150E-104M-J-BD	CC 25V 0.1μF 20% 0805
C141	157D-106M-5-GM	CE 16V 10μF 20% RL 4x7
C142	150E-104M-J-BD	CC 25V 0.1μF 20% 0805
C143	157E-105M-5-EI	CE 25V 1μF 20% RL 3x5
C145, C147	157D-475M-5-EI	CE 16V 4.7μF 20% RL 3x5
C148	150F-562J-J-BD	CC 50V 5600pF 5% 0805
C149, C152	150F-103K-J-BD	CC 50V 0.01μF 10% 0805
C150, C151, C157	150F-104M-J-BD	CC 50V 0.1μF 20% 0805
C156	150F-683M-J-BD	CC 50V 0.068μF 20% 0805
C158	157D-476M-5-IU	CE 16V 47μF 20% RL 5x11
C159	150F-104M-J-BD	CC 50V 0.1μF 20% 0805
C161, C162	15FD-105Z-J-BD	CC 16V 1μF +80/-20% 0805
C165	157D-225M-5-GM	CE 16V 2.2μF 20% RL 4x7
C166, C167, C169	150F-104M-J-BD	CC 50V 0.1μF 20% 0805
C168	157D-106M-5-GM	CE 16V 10μF 20% RL 4x7
C1102, C1105	15FF-224Z-J-BD	CC 50V 0.22μF +80/-20% 0805
C172	153F-225J-5-TOM	CM 50V 2.2μF RL 10X8 METALLIZED
C173	157C-107M-5-IU	CE 10V 100μF 20% RL 5x11

Reference No.	Part No.	Description
C174	157D-106M-5-GM	CE 16V 10µF 20% RL 4x7
C175	150F-104M-J-BD	CC 50V 0.1µF 20% 0805
C176	157C-107M-5-IU	CE 10V 100µF 20% RL 5x11
C179-C180, C183-C184	150F-104M-J-BD	CC 50V 0.1µF 20% 0805
C199	157D-106M-5-GM	CE 16V 10µF 20% RL 4x7
C181	150E-104M-J-BD	CC 25V 0.1µF 20% 0805
C182	150F-103K-J-BD	CC 50V 0.01µF 10% 0805
C193, C194, C198	150F-104M-J-BD	CC 50V 0.1µF 20% 0805
DIODE		
D101	4840-0490-0	BRIDGE RECTIFIER RB152 100V 105A
HEATSINKS		
H-U121	5400-0831-0	HEATSINK (214) 20MM-HIGH HOLE
H-U123	5400-9130-0	HEAT SINK FOR 7805 2438-17
COILS		
L101-L104	1801-100K-M	COIL 10µH 10% BL7.0
CRYSTAL		
M101	2300-3060-0	X'TAL 12.288MHZ +/-20PPM HCMOS/TTL OSCILLATOR
TRANSISTOR		
Q101	485C-114E-5	TR DTC114ES
RESISTORS		
R101-R103	4720-103J-J	RMG 1/10W 10K 5% 0805
R104	4720-680J-J	RMG 1/10W 68R 5% 0805
R105-R109	4720-103J-J	RMG 1/10W 10K 5% 0805
R110	4707-103C-5-8	RCFA 1/2W 10K 2% RL 8 9P SIP 4609X-101-103
R1100	4720-750J-J	RMG 1/10W 75R 5% 0805
R1101	4720-473J-J	RMG 1/10W 47K 5% 0805
R111, R112	4720-103J-J	RMG 1/10W 10K 5% 0805
R113	4720-473J-J	RMG 1/10W 47K 5% 0805
R115	4720-750J-J	RMG 1/10W 75R 5% 0805
R116	4720-473J-J	RMG 1/10W 47K 5% 0805
R118	4720-750J-J	RMG 1/10W 75R 5% 0805
R119	4720-000J-J	RMG 1/10W 0R 5% 0805
R122	4720-151J-J	RMG 1/10W 150R 5% 0805
R123	4720-103J-J	RMG 1/10W 10K 5% 0805
R125	4720-151J-J	RMG 1/10W 150R 5% 0805
R126	4720-103J-J	RMG 1/10W 10K 5% 0805
R127	4720-104J-J	RMG 1/10W 100K 5% 0805
R129	4720-000J-J	RMG 1/10W 0R 5% 0805
R130	4720-151J-J	RMG 1/10W 150R 5% 0805
R131	4720-103J-J	RMG 1/10W 10K 5% 0805
R133	4720-151J-J	RMG 1/10W 150R 5% 0805
R134	4720-103J-J	RMG 1/10W 10K 5% 0805
R135, R136	4720-102J-J	RMG 1/10W 1K 5% 0805
R137	4720-151J-J	RMG 1/10W 150R 5% 0805
R138	4720-103J-J	RMG 1/10W 10K 5% 0805
R139	4720-102J-J	RMG 1/10W 1K 5% 0805
R140	4720-101J-J	RMG 1/10W 100R 5% 0805
R150	4720-151J-J	RMG 1/10W 150R 5% 0805
R155	4720-153J-J	RMG 1/10W 15K 5% 0805
R156, R157	4720-103J-J	RMG 1/10W 10K 5% 0805
R158	4720-151J-J	RMG 1/10W 150R 5% 0805
R159	4720-153J-J	RMG 1/10W 15K 5% 0805
R160, R161	4720-103J-J	RMG 1/10W 10K 5% 0805

Reference No.	Part No.	Description
R162	4720-151J-J	RMG 1/10W 150R 5% 0805
R163, R164	4720-223J-J	RMG 1/10W 22K 5% 0805
R165	4720-121J-J	RMG 1/10W 120R 5% 0805
R166	4720-201J-J	RMG 1/10W 200R 5% 0805
R167, R168	4720-103J-J	RMG 1/10W 10K 5% 0805
R169	4720-102J-J	RMG 1/10W 1K 5% 0805
R171	4720-103J-J	RMG 1/10W 10K 5% 0805
R172	4720-471J-J	RMG 1/10W 470R 5% 0805
R173	4720-103J-J	RMG 1/10W 10K 5% 0805
R181	4720-000J-J	RMG 1/10W 0R 5% 0805
R184, R185	4720-104J-J	RMG 1/10W 100K 5% 0805
R186, R189	4720-000J-J	RMG 1/10W 0R 5% 0805
R190-R192	4720-104J-J	RMG 1/10W 100K 5% 0805
R193	4720-000J-J	RMG 1/10W 0R 5% 0805
R194	4720-335J-J	RMG 1/10W 3.3M 5% 0805
ICs		
U101	3131-7230-0	IC 74HC151 QUAD 4-PIN MUX SOP16 SMD
U102	3131-3870-0	IC 74HC157 QUAD 2-INPUT MUX SO16
U103	3131-3700-0	IC CS5331A 18BIT A/D CONVERTER CRYSTAL
U104	3130-9560-0	NJM5532 IC 'DIP8'
U105	3131-3720-0	IC CS4926 DSP CRYSTAL
U106, U107	3130-8980-0	IC 74HC574 8X D-TYPE LATCHES
U108	3131-9320-0	IC AT27C020-70 256Kx8
U109	3130-9560-0	NJM5532 IC 'DIP8'
U110	3130-8890-0	IC CS8414 DIR 96KHZ 24BIT
U111-U113	3131-3710-0	IC CS4340 D/A CONVERTER CRYSTAL
U114	3131-9100-0	IC 74HCU04 HEX INVERTERS (SOP)
U115	3130-6590-0	IC 74HC74 DUAL D-TYPE FLIP-FLOP
U116	3130-9560-0	NJM5532 IC 'DIP8'
U117	3130-6590-0	IC 74HC74 DUAL D-TYPE
U118, U119	3131-9050-0	IC 74HC00 QUAD 2I/P NAND GATE SOP
U120	3130-6590-0	IC 74HC74 DUAL D-TYPE
U121	3130-5610-0	IC LM317T+ADJ REGULATOR
U123, U125	3130-2020-2	IC 7805 REG 5V
U131, U134	3130-9560-0	NJM5532 IC 'DIP8'
FRONT AMP BOARD		
PC BOARD		
0002	PCB-N0950C-AMP1	POWER AMP L/R/C ASSEMBLY
CAPACITORS		
C501, C502	157D-476M-5-IM	CE 16V 47µF 20% RL 5x7
C503, C504	150F-101J-5-IF	CC 50V 100pF 5% RL 5x3.5
C505, C506	157D-227M-5-KW	CE 16V 220µF 20% RL 6x12
C507-C510	157F-106M-5-IU	CE 50V 10µF 20% RL 5x11
C511, C512	150F-070D-5-GG	CC 50V 7pF 0.5pF RL 4x4
C513, C514	150F-101J-5-IF	CC 50V 100pF 5% RL 5x3.5
C515, C516	150F-181K-5-GG	CC 50V 180pF 10% RL 4x4
C517, C518	150F-223Z-5-UG	CC 50V 0.022µF +80/-20%
C519, C520	153F-104J-5-QUN	CM 50V 0.1µF RL (9X11) POLYESTER
C521, C522	157D-476M-5-IU	CE 16V 47µF 20% RL 5x11
C523, C524	15CH-020C-5-GG	CTC 0/60 2pF 0.25pF RL 4x4
C525, C526	157I-477M-5-X&	CE 63V 470µF 20% RL 12.5x25
C538	150F-223Z-5-UG	CC 50V 0.022µF +80/-20%
C541, C542	150F-101J-5-IF	CC 50V 100pF 5% RL 5x3.5
C543	15CH-020C-5-GG	CTC 0/60 2pF 0.25pF RL 4x4
C544	150F-181K-5-GG	CC 50V 180pF 10% RL 4x4
C545	157D-227M-5-KW	CE 16V 220µF 20% RL 6x12
C546	157D-476M-5-IU	CE 16V 47µF 20% RL 5x11

Reference No.	Part No.	Description
C547	150F-070D-5-GG	CC 50V 7pF 0.5pF RL 4x4
C548, C549	157F-106M-5-IU	CE 50V 10µF 20% RL 5x11
C550	150F-223Z-5-UG	CC 50V 0.022µF +80/-20%
C552	157D-476M-5-IU	CE 16V 47µF 20% RL 5x11
C553	153F-104J-5-QUN	CM 50V 0.1µF RL (9x11)
C561, C562	8910-0494-0	CE 63V 12000µF 20% RL 30X50
C563-C565	157F-106M-5-GM	CE 50V 10µF 20% RL 4x7
C566, C567	157D-476M-5-IU	CE 16V 47µF 20% RL 5x11
C581	157B-107M-5-KM	CE 6.3V 100µF 20% RL 6x7
C583, C592, C593	150F-223Z-5-UG	CC 50V 0.022µF +80/-20%
DIODES		
D501, D503	4804-0040-1	DIODE 1N4004 AL
D510	4804-1480-C	DIODE 1N4148 ATS
D511	4840-7060-0	DIODE BRIDGE RS804M
D512	4804-1480-C	DIODE 1N4148 ATS
D513-D520	4840-0850-0	ZD 1/2W 21.52-22.63V AT
D592, D593	4804-1480-C	DIODE 1N4148 ATS
COILS		
L501, L502	1804-0540-0	SPRING COIL 1MH
RELAYS		
M501	4500-0910-0	RELAY 24VDC,125VA,3A
M502	4500-0900-0	RELAY 24VDC,250VAC,10A
THERMISTOR		
M511 	8910-0489-0	THERMISTOR 100C PTH9M04BD222TS2F333
TRANSISTORS		
Q501-Q506	4860-0190-5	TR 2SC 1845 (F.E) RL
Q507-Q510	485A-9490-5	TR 2SA949-O HFE 70-140 TOSHIBA
Q511, Q512	485C-2229-5	TR 2SC2229-0 HFE 70-140 TOSHIBA
Q513, Q514	485A-9490-5	TR 2SA949-O HFE 70-140 TOSHIBA
Q515, Q516	485C-2229-5	TR 2SC2229-0 HFE 70-140
Q517, Q518	4860-1220-5	TR 2SC3421 (0,Y) RL TSB
Q519, Q520	485C-5171-5	TR 2SC5171 HFE 100-320
Q521, Q522	485A-1930-5	TR 2SA1930 HFE 100-320
Q523, Q524	4860-5210-5	TR 2SC5198-0 HFE 80-160 70W TOSHIBA
Q525, Q526	4860-5220-5	TR 2SA1941-0 HFE 80-160 70W TOSHIBA
Q527, Q528	4860-0190-5	TR 2SC 1845 (F.E) RL
Q529, Q530	4860-1590-5	TR 2SC1740S (R) HFE180-390
Q541-Q545	4860-0190-5	TR 2SC1845 (F.E) RL
Q546-Q548	485A-9490-5	TR 2SA949-O HFE 70-140
Q549, Q550	485C-2229-5	TR 2SC2229-0 HFE 70-140
Q551	485C-5171-5	TR 2SC5171 HFE 100-320
Q552	4860-1220-5	TR 2SC3421 (0,Y) RL TSB
Q553	485A-1930-5	TR 2SA1930 HFE 100-320
Q554	4860-5210-5	TR 2SC5198-0 HFE 80-160
Q555	4860-5220-5	TR 2SA1941-0 HFE 80-160
Q561, Q562	4850-992F-5	TR 2SA992 HFE 300-600
Q563	485B-772P-5	TR 2SB772P PNP POWER TR
Q564	4860-1590-5	TR 2SC1740S
Q565	3130-2520-3	IC 7812 12V REGULATOR
Q581, Q582	4860-0190-5	TR 2SC 1845 (F.E) RL
Q583	4850-992F-5	TR 2SA992 HFE 300-600
Q591, Q592	485C-123J-5	TR DTC123JSA ROHM
RESISTORS		
R501	474B-R10K-5-02	RWR 5W 0.1RX2 10% RL

Reference No.	Part No.	Description
R502	4701-221J-2	RCF 1/8W 220R 5% AT
R505, R506	4701-471J-C	RCF 1/8W 470R 5% ATS
R507-R510	4701-180J-C	RMF 1/8W 18R 5% ATS
R503, R504	4701-273J-C	RMF 1/8W 27K 5% ATS
R5100	4701-512J-C	RCF 1/8W 5.1K 5% ATS
R5101	4701-183J-C	RCF 1/8W 18K 5% ATS
R5102	4701-332J-C	RCF 1/8W 3.3K 5% ATS
R5103	4705-331J-2	RCF 1/4W 330R 5% AT
R5104, R5105	4717-2R2J-2	RMF 1/2W 2.2R 5% AT
R5106	4701-272J-C	RMF 1/8W 2.7K 5% ATS
R5107	474B-R22K-5-02	RWR 5W 0.22R X2 10% RL
R5108	4701-471J-C	RCF 1/8W 470R 5% ATS
R5109	4701-333J-C	RCF 1/8W 33K 5% ATS
R5110	4718-8R2J-2-X	RMF 1W 8.2R 5% AT
R511, R512	4701-562J-C	RCF 1/8W 5.6K 5% ATS
R5111	4701-821J-C	RCF 1/8W 820R 5% ATS
R5112	4701-473J-C	RCF 1/8W 47K 5% ATS
R513, R514	4701-273J-C	RMF 1/8W 27K 5% ATS
R515, R516	4701-821J-C	RCF 1/8W 820R 5% ATS
R5117	4701-473J-C	RCF 1/8W 47K 5% ATS
R5118	635N-0001-0	JUMPER WIRE
R5119	4701-103J-C	RMF 1/8W 10K 5% ATS
R5120	4701-202J-C	RCF 1/8W 2K 5% ATS
R5121	4701-472J-C	RCF 1/8W 4.7K 5% ATS
R5122, R5123	4707-822J-2	RCF 1/2W 8.2K 5% AT
R5124, R5125	4701-122J-C	RMF 1/8W 1.2K 5% ATS
R5126	4701-911J-C	RCF 1/8W 910R 5% ATS
R5130, R5132	4701-223J-C	RCF 1/8W 22K 5% ATS
R5131, R5133	4701-562J-C	RCF 1/8W 5.6K 5% ATS
R5134, R5135	4701-222J-C	RCF 1/8W 2.2K 5% ATS
R517-R520	4701-102J-2	RMF 1/8W 1K 5% AT
R521-R524	4717-680J-1	RMF 1/2W 68R 5% AL
R525, R526	4717-560J-2	RMF 1/2W 56R 5% AT
R527, R528	4717-680J-1	RMF 1/2W 68R 5% AL
R529, R530	4701-560J-C	RCF 1/8W 56R 5% ATS
R531, R532, R535	4701-183J-C	RCF 1/8W 18K 5% ATS
R533, R534	4701-332J-C	RCF 1/8W 3.3K 5% ATS
R536	4701-183J-C	RCF 1/8W 18K 5% ATS
R537, R538	4701-512J-C	RCF 1/8W 5.1K 5% ATS
R539-R542	4717-2R2J-2	RMF 1/2W 2.2R 5% AT
R543, R544	4705-331J-2	RCF 1/4W 330R 5% AT
R545, R546	4701-272J-C	RMF 1/8W 2.7K 5% ATS
R547-R548	474B-R22K-5-02	RWR 5W 0.22R X2 10% RL
R549, R550	4701-471J-C	RCF 1/8W 470R 5% ATS
R551, R552	4701-333J-C	RCF 1/8W 33K 5% ATS
R553, R554	4701-473J-C	RCF 1/8W 47K 5% ATS
R555, R556	4718-8R2J-2-X	RMF 1W 8.2R 5% AT
R559	4701-103J-C	RMF 1/8W 10K 5% ATS
R560	4701-223J-C	RCF 1/8W 22K 5% ATS
R561, R562	4701-271J-C	RCF 1/8W 270R 5% ATS
R563-R566	4701-104J-C	RMF 1/8W 100K 5% ATS
R567, R569	4717-2R2J-2	RMF 1/2W 2.2R 5% AT
R570	4701-225J-C	RCF 1/8W 2.2M 5% ATS
R571	4705-333J-2	RCF 1/4W 33K 5% AT
R572	4701-103J-2	RMF 1/8W 10K 5% AT
R573, R574	4756-2226-3-06	SEMI-FIXED 2.2K H3 7X7.6 R0615C
R575	4701-473J-2	RCF 1/8W 47K 5% AT
R577, R578	4718-R22J-2	RMF 1W 0.22R 5% AT
R580	4701-562J-C	RCF 1/8W 5.6K 5% ATS
R581	4701-273J-C	RMF 1/8W 27K 5% ATS

Reference No.	Part No.	Description
R582, R583	4701-102J-2	RMF 1/8W 1K 5% AT
R584	4701-104J-2	RMF 1/8W 100K 5% AT
R585, R586	4717-680J-1	RMF 1/2W 68R 5% AL
R588, R590	4701-180J-C	RCF 1/8W 18R 5% ATS
R587	4701-471J-C	RCF 1/8W 470R 5% ATS
R589	4701-562J-C	RCF 1/8W 5.6K 5% ATS
R591	4701-273J-C	RMF 1/8W 27K 5% ATS
R592	4701-223J-C	RCF 1/8W 22K 5% ATS
R593	4701-560J-C	RCF 1/8W 56R 5% ATS
R594	4701-271J-C	RCF 1/8W 270R 5% ATS
R595	4701-104J-C	RMF 1/8W 100K 5% ATS
R596	4717-560J-2	RMF 1/2W 56R 5% AT
R597	4717-680J-1	RMF 1/2W 68R 5% AL
R598	4701-183J-C	RCF 1/8W 18K 5% ATS
R599	4756-2226-3-06	SEMI-FIXED 2.2K H3 7X7.6 R0615C
<u>SURROUND AMP BOARD</u>		
<u>PC BOARD</u>		
0003	PCB-N0950C-AMP2	POWER PRE SL/SR ASSEMBLY
<u>CAPACITORS</u>		
C801, C802	157D-476M-5-IU	CE 16V 47µF 20% RL 5x11
C803, C804	150F-101J-5-IF	CC 50V 100pF 5% RL 5x3.5
C805, C806	150F-020C-5-GG	CC 50V 2pF 0.25pF RL 4x4
C807, C808	150F-471K-5-GG	CC 50V 470pF 10% RL 4x4
C809, C810	157D-227M-5-KW	CE 16V 220µF 20% RL 6x12
C811, C812	157D-476M-5-IU	CE 16V 47µF 20% RL 5x11
C813, C814	150F-181K-5-GG	CC 50V 180pF 10% RL 4x4
C815, C816	150F-070D-5-GG	CC 50V 7pF 0.5pF RL 4x4
C817-C820	157F-106M-5-GM	CE 50V 10µF 20% RL 4x7
C821, C822	150F-223Z-5-UG	CC 50V 0.022µF +80/-20%
C823, C824	153F-104J-5-QUN	CM 50V 0.1µF RL (9x11)
C825	150F-102K-2-FC	CC 50V 1000pF 10% AT
C829, C830	157I-477M-5-X&	CE 63V 470µF 20% RL 12.5x25
C831, C832	150F-151K-2-FC	CC 50V 150pF 10% AT
C833	150F-223Z-5-UG	CC 50V 0.022µF +80/-20%
C835, C836	150F-151K-2-FC	CC 50V 150pF 10% AT
<u>DIODES</u>		
D801, D802	4804-0040-1	DIODE 1N4004 AL
D803-D805	4804-1480-C	DIODE 1N4148 ATS
<u>WAFERS/JACKS/SOCKETS</u>		
J604B	2102-031S-004	3 PIN ST. WAFER P=2.5 COULOMB
J801A	2102-081S-004	WAFER 8P P2.5 ST.
JP801, JP802	2113-1160-0	WAFER 2P ST. P=2.5 NH (JST)
<u>RELAY</u>		
M801	4500-0910-0	RELAY 24VDC,125VA,3A OSA-SS-224DM3 OEG
<u>TRANSISTORS</u>		
Q801-Q806	4860-0190-5	TR 2SC 1845 (F.E) RL
Q807, Q808	4860-1590-5	TR 2SC1740S (R) HFE180-390
Q809-Q812	485A-9490-5	TR 2SA949-O HFE 70-140 TOSHIBA
Q813,Q814	485C-5171-5	TR 2SC5171 HFE 100-320
Q815,Q816	485A-9490-5	TR 2SA949-O HFE 70-140 TOSHIBA
Q817-Q820	485C-2229-5	TR 2SC2229-0 HFE 70-140 TOSHIBA
Q821, Q822	4860-1220-5	TR 2SC3421 (0,Y) RL TSB
Q823, Q824	485A-1930-5	TR 2SA1930 HFE 100-320
Q825, Q826	4860-5210-5	TR 2SC5198-0 HFE 80-160 70w TOSHIBA

Reference No.	Part No.	Description
Q827, Q828 Q829, Q830 Q831	4860-5220-5 4860-0190-5 485C-123J-5	TR 2SA1941-0 HFE 80-160 70W TOSHIBA TR 2SC 1845 (F.E) RL TR DTC123JSA ROHM
RESISTORS		
R803, R804	4701-273J-C	RCF 1/8W 27K 5% ATS
R805, R806	4701-471J-C	RCF 1/8W 470R 5% ATS
R807, R808	4701-180J-C	RCF 1/8W 18R 5% ATS
R809, R810	4701-562J-C	RCF 1/8W 5.6K 5% ATS
R811, R812	4701-180J-C	RCF 1/8W 18R 5% ATS
R813-R816	4701-102J-C	RCF 1/8W 1K 5% ATS
R817, R818	4701-104J-C	RCF 1/8W 100K 5% ATS
R819-R822	4717-680J-1	RMF 1/2W 68R 5% AL
R823, R824	4701-273J-C	RCF 1/8W 27K 5% ATS
R825, R826	4701-821J-C	RCF 1/8W 820R 5% ATS
R827, R828	4701-560J-C	RCF 1/8W 56R 5% ATS
R829, R830	4701-183J-C	RCF 1/8W 18K 5% ATS
R831, R832	4701-512J-C	RCF 1/8W 5.1K 5% ATS
R833, R834	4701-183J-C	RCF 1/8W 18K 5% ATS
R835, R836	4701-332J-C	RCF 1/8W 3.3K 5% ATS
R837, R838	4715-331A-2	RCF 1/4W 330R 1% AT
R839, R840	4701-471J-C	RCF 1/8W 470R 5% ATS
R841-R844	4717-2R2J-2	RMF 1/2W 2.2R 5% AT
R845, R846	4701-271J-C	RCF 1/8W 270R 5% ATS
R847, R848	4701-104J-C	RCF 1/8W 100K 5% ATS
R849, R850	4717-560J-2	RMF 1/2W 56R 5% AT
R851, R852	4717-680J-1	RMF 1/2W 68R 5% AL
R855, R856	4707-272J-2	RCF 1/2W 2.7K 5% AT
R853, R854	474B-R22K-5-02	RWR 5W 0.22R X2 10% RL
R857, R858	4718-8R2J-2-X	RMF 1W 8.2R 5% AT
R859, R860	4717-2R2J-2	RMF 1/2W 2.2R 5% AT
R861, R862	4701-333J-C	RCF 1/8W 33K 5% ATS
R863, R864	4701-473J-C	RCF 1/8W 47K 5% ATS
R865, R866	4701-223J-C	RCF 1/8W 22K 5% ATS
R867, R868	4756-2026-3-03	SEMI-FIXED 2K2
R869	4701-221J-C	RCF 1/8W 220R 5% ATS
AUDIO BOARD		
PC BOARD		
0004	PCB-N0950C-AUD	AUDIO ASSEMBLY
CAPACITORS		
C301-C302	150F-103K-2-FC	CC 50V 0.01 μ F 10% AT
C303	157D-107M-5-IU	CE 16V 100 μ F 20% RL 5x11
C304	150F-103K-2-FC	CC 50V 0.01 μ F 10% AT
C305, C306	157D-476M-5-IU	CE 16V 47 μ F 20% RL 5x11
C319-C322, C325-C332	150F-101K-2-FC	CC 50V 100pF 10% AT
C333-C336	157D-335M-5-II	CE 16V 3.3 μ F 20% RL 5x5
C337	150F-103K-2-FC	CC 50V 0.01 μ F 10% AT
C338-C340	157D-335M-5-II	CE 16V 3.3 μ F 20% RL 5x5
C387-C388	150F-101K-2-FC	CC 50V 100pF 10% AT
DIODES		
D301, D302	4837-7B51-2	DZ 1/2W 7.07~7.45V ROHM AT (MTZJ7.5B)
SOCKETS / JACKS		
J707B, J711B	2101-1801-0	SOCKET (PCB/PCB) 10P P2.0
M301	2113-1805-0	6P RCA JACK R/W GOLD W/SHIELD
M302	2113-1808-0	4P RCA JACK R/W GOLD W/SHIE

Reference No.	Part No.	Description
TRANSISTOR Q303	485C-144E-5	TR DTC144ES ROHM
ICs U301 U302	3131-3570-0 3130-3870-0	IC TC9273N-004 ANALOG SWITCH ARRAY IC HCF4053BT
RESISTORS R301-R303 R331, R333 R332, R334 R335, R337 R336, R338 R339 R340, R342 R341, R343, R345 R344, R346 R347, R349 R348, R350 R351, R353 R352, R354 R392, R394 R393, R395	4701-102J-C 4701-331J-C 4701-105J-C 4701-331J-C 4701-105J-C 4701-222J-C 4701-105J-C 4701-222J-C 4701-105J-C 4701-222J-C 4701-105J-C 4701-222J-C 4701-105J-C 4701-222J-C 4701-105J-C 4701-222J-C 4701-105J-C 4701-222J-C 4701-105J-C 4701-222J-C 4701-105J-C	RCF 1/8W 1K 5% ATS RCF 1/8W 330R 5% ATS RCF 1/8W 1M 5% ATS RCF 1/8W 330R 5% ATS RCF 1/8W 1M 5% ATS RCF 1/8W 2.2K 5% ATS RCF 1/8W 1M 5% ATS RCF 1/8W 2.2K 5% ATS RCF 1/8W 1M 5% ATS RCF 1/8W 2.2K 5% ATS RCF 1/8W 1M 5% ATS RCF 1/8W 2.2K 5% ATS RCF 1/8W 1M 5% ATS RCF 1/8W 2.2K 5% ATS RCF 1/8W 1M 5% ATS RCF 1/8W 2.2K 5% ATS RCF 1/8W 1M 5% ATS RCF 1/8W 2.2K 5% ATS RCF 1/8W 1M 5% ATS
COMPONENT VIDEO BOARD PC BOARD 0005	PCB-N0950C-COM	PCB ASSY COMPONET VIDEO
CAPACITORS C901, C903 C902, Q904 C905-C907 C908-C910 C911 C912 C913	157F-103K-2-FC 157D-107M-5-IU 157E-226M-5-IU 157C-477M-5-OU 157C-476M-5-GM 157C-476M-5-IU 157C-477M-5-OU	CC 50V 0.01 μ F 10% AT CE 16V 100 μ F 20% RL 5x11 CE 25V 22 μ F 20% RL 5x11 CE 10V 470 μ F 20% RL 8X11 CE 10V 47 μ F 20% RL 4x7 CE 16V 47 μ F 20% RL 5x11 CE 10V 470 μ F 20% RL 8x11
DIODES D901, D902 D903-D905	4837-7B51-2 4804-1480-C	DZ 1/2W 7.07~7.45V ROHM AT (MTZJ7.5B) DIODE 1N4148 ATS
SOCKET/JACKS J901A M901, M903	2101-1801-0 2113-1817-0	SOCKET (PCB/PCB) 10P P2.0 3P RCA JACK G/B/R GOLD W/GRN
TRANSISTORS Q901 Q902-Q904 Q905-Q907 Q911 Q912	485C-144E-5 485A-933S-5 4860-0770-5 485A-933S-5 485C-144E-5	TR DTC144ES ROHM TR 2SA933S HFE 120-560 ROHM TR 2SC2878 (A,B) RL TR 2SA933S HFE 120-560 ROHM TR DTC144ES ROHM
RESISTORS R901 R902 R904 R905, R906 R907 R908-R910 R911	4701-101J-C 4701-102J-C 4701-472J-C 4701-101J-C 4701-201J-C 4701-2R2J-C 4701-103J-C	RCF 1/8W 100R 5% ATS RCF 1/8W 1K 5% ATS RCF 1/8W 4.7K 5% ATS RCF 1/8W 100R 5% ATS RCF 1/8W 200R 5% ATS RCF 1/8W 2.2R 5% ATS RCF 1/8W 10K 5% ATS

Reference No.	Part No.	Description
R912	4701-102J-C	RCF 1/8W 1K 5% ATS
R913	4701-151J-C	RCF 1/8W 150R 5% ATS
R914, R915	4701-121J-C	RCF 1/8W 120R 5% ATS
R916-R921	4701-303J-C	RCF 1/8W 30K 5% ATS
R922-R924	4701-102J-C	RCF 1/8W 1K 5% ATS
R925	4701-391J-C	RCF 1/8W 390R 5% ATS
R930	4701-303J-C	RCF 1/8W 30K 5% ATS
R931	4701-151J-C	RCF 1/8W 150R 5% ATS
R932	4701-303J-C	RCF 1/8W 30K 5% ATS
R933	4701-391J-C	RCF 1/8W 390R 5% ATS
R934	4701-102J-C	RCF 1/8W 1K 5% ATS
IC		
U901	3130-3870-0	IC HCF4053BT
DIGITAL IN BOARD		
PC BOARD		
0006	PCB-N0950C-DIGI	PCB ASSY DIGITAL IN
TOSLINKS		
J1601, J1602	4811-F32R-3	LIGHT RX UNIT GPIF32R
WAFERS / JACKS		
1603	2102-101S-004	WAFER 10P P2.5 ST. (colomb)
1604	2113-1815-0	3P-H RCA JACK BLK GOLD W/GRN
J802B	2101-9100-0	JM2422-4M WAFER
M802	2113-1663-0	4P SPEAKER TERMINAL R/B W/BANANA
CAPACITORS		
C763	150F-104K-5-II	CC 50V 0.1 μ F 10% RL 5x5
C764	150F-223Z-5-UG	CC 50V 0.022 μ F +80/-20%
C767	150F-104K-5-II	CC 50V 0.1 μ F 10% RL 5x5
C850	150F-223Z-5-UG	CC 50V 0.022 μ F +80/-20%
C853, C854	153F-102J-5-IM	CM 50V 1000PF 5% RL 5x7
C855	153F-104J-5-NSM	CM 50V 0.01 μ F 5% RL 7.3x10 metalzd
DIODE		
D801	4804-1480-2	DIODE 1N4148 AT
RELAY		
M804	4500-0910-0	RELAY 24VDC,125VA,3A OSA-SS-224DM3 OEG
TRANSISTOR		
Q801	485C-123J-5	TR DTC123JSA ROHM
DIGITAL OUT BOARD		
PC BOARD		
0007	PCB-N0950C-DIGO	DIGITAL OUT ASSEMBLY
CAPACITORS		
C747, C748	150F-223K-2-FD	CC 50V 0.022 μ F 10% AT
C749, C750	150F-104K-2-FC	CC 50V 0.01 μ F 10% AT
C766	150F-103K-2-FC	CC 50V 0.01 μ F 10% AT
C768	150F-102K-2-FC	CC 50V 1000pF 10% AT
C769	150F-222K-5-LF	CC 50V 2200pF 10% RL 6.5
C770, C771	150F-104K-2-FC	CC 50V 0.01 μ F 10% AT
C772	157D-226M-5-GM	CE 16V 22 μ F 20% RL 4x7
DIODES		
D756-D759	4804-1480-C	DIODE 1N4148 ATS

<u>Reference No.</u>	<u>Part No.</u>	<u>Description</u>
WAFER J102B	2102-051S-004	5P ST.WAFER P=2.5 COLOMB
COIL L701	1802-0450-0	DIGITAL COIL 015-910-27BB
JACKS M704 M705 M706 M707	2113-1812-0 5200-3171-0-01 2113-1806-0 2704-0060-0	2P RCA JACK YL GOLD W/SHIELD DPDT SLIDE SW.SK-22F28-G9TS 1P RCA JACK BK GOLD W/SHIELD EMC FILTER DSS31055B271M
RESISTORS R759, R760 R761 R762 R763 R764 R765	4701-102J-C 4701-101J-C 4701-104J-C 4701-471J-C 4701-151J-C 4701-102J-C	RCF 1/8W 1K 5% ATS RCF 1/8W 100R 5% ATS RCF 1/8W 100K 5% ATS RCF 1/8W 470R 5% ATS RCF 1/8W 150R 5% ATS RCF 1/8W 1K 5% ATS
ICs U761, U762	3131-9050-0	IC 74HC00 QUAD 2I/P NAND GATE SOP
LED BOARD PC BOARD 0008	PCB-N0950C-LED	LED ASSEMBLY
LED 2202	3700-2489-G	LED 3MM GREEN SP
LOAD BOARD PC BOARD 0009	PCB-N0950C-LOAD	LOAD ASSEMBLY
CAPACITORS C703, C704 C705 C706, C707	157F-106M-5-IU 150F-104Z-5-IU 157D-106M-5-GM	CE 50V 10 μ F 20% RL 5x11 CC 50V 0.01 μ F +80/-20% RL CE 16V 10 μ F 20% RL 4x7
DIODES D701 D703	4840-7060-0 4804-1480-C	DIODE BRIDGE RS804M DIODE 1N4148 ATS
WAFERS H_DC J204B	2101-9400-0 2102-061R-004	JM2422-3M WAFER WAFER 6 PIN P2.5
TRANSISTORS M701, M702 Q701 Q702 Q703 Q704	4860-5270-5 4860-0660-5 4860-0700-5 4860-0660-5 4860-0700-5	TR TYN412 400V 12A THYRISTOR TR 2SA1015 (G.R.) RL TR 2SC1815 (G.R.) RL TR 2SA1015 (G.R.) RL TR 2SC1815 (G.R.) RL
RESISTORS R701 R702 R703 R704, R705 R706	4701-102J-C 4701-223J-C 4701-101J-C 4701-102J-C 4701-103J-C	RCF 1/8W 1K 5% ATS RCF 1/8W 22K 5% ATS RCF 1/8W 100R 5% ATS RCF 1/8W 1K 5% ATS RCF 1/8W 10K 5% ATS

Reference No.	Part No.	Description
R707	4701-101J-C	RCF 1/8W 100R 5% ATS
R708	4701-223J-C	RCF 1/8W 22K 5% ATS
R709	4701-103J-C	RCF 1/8W 10K 5% ATS
R710	4701-472J-C	RCF 1/8W 4.7K 5% ATS
R711	4701-562J-C	RCF 1/8W 5.6K 5% ATS
R716, R717	4701-104J-C	RCF 1/8W 100K 5% ATS
R718, R719	4701-222J-C	RCF 1/8W 2.2K 5% ATS
R720	4701-684J-C	RCF 1/8W 680K 5% ATS
IC		
U701	3130-0890-0	IC NJM4558D DUAL OP AMP.
MAIN BOARD		
PC BOARD		
0010	PCB-N0950C-MAIN	MAIN ASSEMBLY
CAPACITORS		
C717	157E-338M-5-5\$	CE 25V 3300 μ +C649F 20% RL 16x32
C718	157E-108M-5-X&	CE 25V 1000 μ F 20% RL 12.5x25
C720, C721	150F-223K-2-FD	CC 50V 0.022 μ F 10% AT
C722, C723	157F-106M-5-GM	CE 50V 10 μ F 20% RL 4x7
C726	157F-476M-5-LU	CE 50V 47 μ F 20% RL 6.5x11
C727	150F-223K-2-FD	CC 50V 0.022 μ F 10% AT
C728	157F-107M-5-OW	CE 50V 100 μ F 20% RL 8x12
C731	150F-223K-2-FD	CC 50V 0.022 μ F 10% AT
C732	157F-106M-5-GM	CE 50V 10 μ F 20% RL 4x7
C734	157F-476M-5-LU	CE 50V 47 μ F 20% RL
C735	157F-106M-5-GM	CE 50V 10 μ F 20% RL 4x7
C736	150F-223K-2-FD	CC 50V 0.022 μ F 10% AT
C741	157C-337M-5-OW	CE 10V 330 μ F 20% RL 8x12
C930	150F-223K-2-FD	CC 50V 0.022 μ F 10% AT
DIODES		
D715-D718	4805-3930-2	DIODE 1N5393 200V 1.5A AT
D719	4804-0010-2	DIODE 1N4001 AT
D720, D721	4804-0040-1	DIODE 1N4004 AL
D722	4837-27V0-2	DZ 1/2W 27V(26.2-27.6)AT
D723	4804-0010-2	DIODE 1N4001 AT
D734	4804-1480-C	DIODE 1N4148 ATS
D735, D736	4805-3930-2	DIODE 1N5393 200V 1.5A AT
D737, D738	4804-0010-2	DIODE 1N4001 AT
WAFERS		
J206B	2101-1591-0	FLEXIBLE CONN. 35P P1.25 TOP ENTRY
J401B	2102-111S-004	11P ST.WAFER P=2.5 COLOMB
J402B	2102-031S-004	3 PIN ST. WAFER P=2.5 COLOMB
J502B	2102-121S-004	12P ST.WAFER P=2.5 COLOMB
J7001	2102-031S-004	3 PIN ST. WAFER
J701A	2102-021S-004	2P ST.WAFER P=2.5 COLOMB
J701B	2102-031S-004	3 PIN ST. WAFER
J703A	2101-1621-0	WAFER (PCB/PCB) 10P P2.0 ST
J704A	2101-1641-0	WAFER (PCB/PCB) 16P P2.0 ST
J705A-J708A	2101-1621-0	WAFER (PCB/PCB) 10P P2.0
J709A	2101-1631-0	WAFER (PCB/PCB) 6P P2.0 ST
J710A	2101-1641-0	WAFER (PCB/PCB) 16P P2.0
J711A	2101-1621-0	WAFER (PCB/PCB) 10P P2.0 ST
J803A	2102-031S-004	3 PIN ST. WAFER
J901B	2101-1621-0	WAFER (PCB/PCB) 10P P2.0
M400A	2102-021S-004	2P ST.WAFER

Reference No.	Part No.	Description
HEATSINKS		
M701	5400-1702-0	HEATSINK 23.5X17X50
M702-M703	5400-0831-0	HEATSINK (214) 20MM-HIGH HOLE
TRANSISTOR		
Q724	4860-0660-5	TR 2SA1015 (G.R.) RL
RESISTORS		
R731	4701-102J-C	RCF 1/8W 1K 5% ATS
R732	4701-333J-C	RCF 1/8W 33K 5% ATS
R733, R734	4718-391J-2-X	RMF 1W 390R 5% AT
ICs		
U721	3130-2520-3	IC 7812 12V REGULATOR (SGS)
U722	3130-3800-0	IC UPC79M12HF REGULATOR
U723	3130-8190-0	IC NJM78M56FA 5.6V REGULATOR
U724	3130-2020-2	IC 7805 REG 5V
MULTI CH BOARD		
PC BOARD		
0011	PCB-N0950C-MUTI	MULTI CH ASSEMBLY
JACKS / WAFERS		
1102	2113-1808-0	4P RCA JACK R/W GOLD W/SHIELD
1103	2113-1809-0	2P RCA JACK BK/BK GOLD M/SHIELD
1105	2113-1808-0	4P RCA JACK R/W GOLD
1106	2113-1809-0	2P RCA JACK BK/BK GOLD
CAPACITORS		
C601-C606	150F-101K-2-FC	CC 50V 100pF 10% AT
C609, C610	150F-223K-2-FC	CC 50V 0.022μF 10% AT
C611-C616	157D-335M-5-II	CE 16V 3.3μF 20% RL 5x5
C617	150F-104Z-5-IU	CC 50V 0.1μF +80/-20% RL
C618, C619	157D-335M-5-II	CE 16V 3.3μF 20% RL 5x5
C620, C621	157D-476M-5-IU	CE 16V 47μF 20% RL 5x11
C622-C629	157D-106M-5-GM	CE 16V 10μF 20% RL 4x7
C630-C633	150F-221K-5-GG	CC 50V 220pF 10% RL 4x4
C634-C637	153F-101K-5-MKN	CM 100PF 50V RL (7x6) POLYESTER
C638-C641	157F-225K-5-GM	CE 50V 2.2μF 10% RL 4x7
C642	157D-106M-5-GM	CE 16V 10μF 20% RL 4x7
C643	157D-335M-5-II	CE 16V 3.3μF 20% RL 5x5
C644	150F-103K-5-II	CC 50V 0.01μF 10% RL 5x5
C647-C649	157D-226M-5-II	CE 16V 22μF 20% RL 5x5
C650-C653	157D-475M-5-EI	CE 16V 4.7μF 20% RL 3x5
C654, C655	157D-335M-5-II	CE 16V 3.3μF 20% RL 5x5
C656, C657	150F-101J-5-IF	CC 50V 100pF 5% RL 5x3.5
C662A, C663A	150F-221K-5-GG	CC 50V 220pF 10% RL 4x4
C664, C665	150F-101J-5-IF	CC 50V 100pF 5% RL 5x3.5
C666, C667	157D-335M-5-II	CE 16V 3.3μF 20% RL 5x5
C674	157D-476M-5-IU	CE 16V 47μF 20% RL 5x11
C675, C676	150F-221K-2-FC	CC 50V 220pF 10% AT
C679	157D-476M-5-IU	CE 16V 47μF 20% RL 5x11
C680	157D-227M-5-KW	CE 16V 220μF 20% RL 6x12
C681, C682	157D-476M-5-IU	CE 16V 47μF 20% RL 5x11
C662A, C663A	150F-221K-5-GG	CC 50V 220pF 10% RL 4x4
C692	153F-822J-5-KW	CM 50V 8200pF 5% RL 6x12
C693	153F-153J-5-KP	CM 50V 0.015μF 5% RL 6X8.5
C694, C695	153F-334J-5-MIB	CM 50V 0.33μF 5% RL 7x5
C696	153F-153J-5-KP	CM 50V 0.015μF 5% RL
C697	153F-822J-5-KW	CM 50V 8200pF 5% RL 6x12

Reference No.	Part No.	Description
C698, C699 R673-R678	157D-335M-5-II 150F-221K-2-FC	CE 16V 3.3μF 20% RL 5x5 CC 50V 220pF 10% AT
DIODES D601, D602 D607 D603	4837-7C51-2 4837-5B61-2 4804-1480-C	DZ 1/2W 7.29-7.67V ROHM DZ 1/2W 5.45-5.73 ROHM DIODE 1N4148 ATS
WAFERS / SOCKETS J602A J705B, J706B	2102-031S-004 2101-1801-0	3 PIN ST. WAFER P=2.5 COLOMB SOCKET (PCB/PCB) 10P P2.0
COILS L601, L602	1801-101K-M	COIL 100μH 10%
TRANSISTORS Q601 Q602 Q603-Q605 Q607 Q608 Q609, Q610 Q611, Q612 Q613 Q614, Q616, Q618, Q620 Q622	4851-241A-5 4860-0060-5 4851-241A-5 4860-0050-5 4860-0770-5 485A-114E-5 4851-241A-5 4860-0770-5 485A-114E-5 4860-0050-5	TR RN1241-A TR SS8550 C/D SAMSUNG RL TR RN1241-A TR SS8050 C/D SAMSUNG RL TR 2SC2878 (A,B) RL TR DTA114ESA ROHM TR RN1241-A TR 2SC2878 (A,B) RL TR DTA114ESA ROHM TR SS8050 C/D SAMSUNG RL
RESISTORS J611, J645 J6123, J680 R601-R606 R607-R612 R6112-R6114 R613 R614, R615 R616 R617, R618 R619, R620 R621, R622 R623 R624 R626 R628 R631 R632,R633 R634-R636 R637 R638-R643 R644, R645 R646-R649 R650-R653 R654 R655 R656, R657 R658, R660-R661 R659 R660-R661 R662 R663, R664 R666	4701-101J-C 4701-682J-C 4701-331J-C 4701-104J-C 4701-223J-C 4701-333J-C 4701-103J-C 4701-333J-C 4701-103J-C 4701-333J-C 4701-103J-C 4701-123J-C 4701-393J-C 4701-203J-C 4701-203J-C 4701-152J-C 4701-103J-C 4701-104J-C 4701-103J-C 4701-104J-C 4701-102J-C 4701-563J-C 4701-272J-C 4701-822J-C 4701-183J-C 4701-103J-C 4701-102J-C 4701-471J-C 4701-102J-C 4701-563J-C 4701-223J-C 4701-563J-C	RCF 1/8W 100R 5% ATS RCF 1/8W 6.8K 5% ATS RCF 1/8W 330R 5% ATS RCF 1/8W 100K 5% ATS RCF 1/8W 22K 5% ATS RCF 1/8W 33K 5% ATS RCF 1/8W 10K 5% ATS RCF 1/8W 33K 5% ATS RCF 1/8W 10K 5% ATS RCF 1/8W 33K 5% ATS RCF 1/8W 10K 5% ATS RCF 1/8W 12K 5% ATS RCF 1/8W 39K 5% ATS RCF 1/8W 20K 5% ATS RCF 1/8W 20K 5% ATS RCF 1/8W 1.5K 5% ATS RCF 1/8W 10K 5% ATS RCF 1/8W 100K 5% ATS RCF 1/8W 10K 5% ATS RCF 1/8W 100K 5% ATS RCF 1/8W 10K 5% ATS RCF 1/8W 1K 5% ATS RCF 1/8W 56K 5% ATS RCF 1/8W 2.7K 5% ATS RCF 1/8W 8.2K 5% ATS RCF 1/8W 18K 5% ATS RCF 1/8W 10K 5% ATS RCF 1/8W 1K 5% ATS RCF 1/8W 470R 5% ATS RCF 1/8W 1K 5% ATS RCF 1/8W 56K 5% ATS RCF 1/8W 22K 5% ATS RCF 1/8W 56K 5% ATS

Reference No.	Part No.	Description
R667-R672	4701-221J-C	RCF 1/8W 220R 5% ATS
R673-R678	4701-104J-C	RCF 1/8W 100K 5% ATS
R679, R680	4701-563J-C	RCF 1/8W 56K 5% ATS
R681, R682	4701-102J-C	RCF 1/8W 1K 5% ATS
R687, R688	4701-272J-C	RCF 1/8W 2.7K 5% ATS
R689, R690	4701-563J-C	RCF 1/8W 56K 5% ATS
R691, C692	4701-103J-C	RCF 1/8W 10K 5% ATS
R693	4701-202J-C	RCF 1/8W 2K 5% ATS
R694	4701-152J-C	RCF 1/8W 1.5K 5% ATS
R695	4701-202J-C	RCF 1/8W 2K 5% ATS
R696	4701-471J-C	RCF 1/8W 470R 5% ATS
R699,R700	4701-102J-C	RCF 1/8W 1K 5% ATS
R704	4701-152J-C	RCF 1/8W 1.5K 5% ATS
ICs		
U601	3131-4910-0	IC M62446FP MITSUBISHI (SMD)
U602	3130-3730-1	IC TC9164AN HV ANALOG SW
U605-U607	3130-9560-0	NJM5532 IC 'DIP8' ELE-IC029
U609-U611	3130-9560-0	NJM5532 IC 'DIP8' ELE-IC029
<u>SECONDARY BOARD</u>		
PC BOARD		
0012	PCB-N0950C-SEC	SECONDARY ASSEMBLY
CAPACITORS		
C751, C752	150F-104K-5-II	CC 50V 0.1µF 10% RL 5x5
C753-C756	153I-104J-5-NMN	CM 63V 0.1µF RL (7.5x7) POLYESTER
C757, C762	150F-104K-5-II	CC 50V 0.1µF 10% RL 5x5
WAFERS		
J202B	2102-041S-004	4P ST.WAFER P=2.5 COLOMB
J501B, J702A	2101-9400-0	JM2422-3M WAFER
RESISTORS		
R751-R753	4718-R22J-2	RMF 1W 0.22R 5% AT
R755	4717-2R2J-2	RMF 1/2W 2.2R 5% AT
<u>SPEAKER BOARD</u>		
PC BOARD		
0013	PCB-N0950C-SPK	SPEAKER ASSEMBLY
SPEAKER TERMINALS / WAFERS		
1502	2113-1663-0	4P SPEAKER TERMINAL R/B W/BANANA
1503	2113-1664-0	6P SPEAKER TERMINAL R/B W/BANANA
J503B	2102-101S-004	WAFER 10P P2.5 ST. (COLOMB)
CAPACITORS		
C594-C596	153F-102J-5-IM	CM 50V 1000PF 5% RL 5x7
<u>S-VIDEO BOARD</u>		
PC BOARD		
0014	PCB-N0950C-SVD	S-VIDEO ASSEMBLY
CONNECTORS		
1402-1408	2113-1183-0	1P DIN CONNECTOR HDC-050
CAPACITORS		
C401	150F-223Z-5-UG	CC 50V 0.022µF +80/-20%
C404	157F-225M-5-GM	CE 50V 2.2µF 20% RL 4x7

Reference No.	Part No.	Description
C405	157C-477M-5-OU	CE 10V 470µF 20% RL 8x11
C406	157F-225M-5-GM	CE 50V 2.2µF 20% RL 4x7
C407	157C-477M-5-OU	CE 10V 470µF 20% RL 8x11
C408-C413	157F-225M-5-GM	CE 50V 2.2µF 20% RL 4x7
C414	157D-476M-5-IU	CE 16V 47µF 20% RL 5x11
C415	157C-477M-5-OU	CE 10V 470µF 20% RL 8x11
C416, C417	157F-225M-5-GM	CE 50V 2.2µF 20% RL 4x7
C418	157D-106M-5-GM	CE 16V 10µF 20% RL 4x7
C419	153F-223J-5-LQ	CM 50V 0.022µF 5% RL 6.5x9
C420, C421	150F-223Z-5-UG	CC 50V 0.022µF +80/-20%
C422	157C-477M-5-OU	CE 10V 470µF 20% RL 8x11
C423, C424	157B-227M-5-KW	CE 6.3V 220µF 20% RL 6x12
C426-C428	157F-225M-5-GM	CE 50V 2.2µF 20% RL 4x7
C429	15CH-300J-5-IG	CTC 0/60 30pF 5% RL 5x4
C429A	15CH-050D-5-GG	CTC 0/60 5pF 0.5pF RL 4x4
C430	15CH-300J-5-IG	CTC 0/60 30pF 5% RL 5x4
C430A	15CH-050D-5-GG	CTC 0/60 5pF 0.5pF RL
C431, C432	15CH-270J-5-GG	CTC 0/60 27pF 5% RL 4x4
C433-C435	150F-470J-5-IF	CC 50V 47pF 5% RL 5x3.5
C436	157F-105M-5-GM	CE 50V 1µF 20% RL 4x7
C440	157D-476M-5-IU	CE 16V 47µF 20% RL 5x11
C442	157B-107M-5-KM	CE 6.3V 100µF 20% RL 6x7
C443	150F-103K-5-II	CC 50V 0.01µF 10% RL 5x5
C444	150F-474M-5-II	CE 50V 0.47µF 20% RL 5x5
C445	157B-107M-5-KM	CE 6.3V 100µF 20% RL 6x7
C446	157F-474M-5-GM	CE 50V 0.47µF 20% RL 4x7
C447	150F-470J-5-IF	CC 50V 47pF 5% RL 5x3.5
C448	150F-474M-5-II	CE 50V 0.47µF 20% RL 5x5
C449	150F-103K-5-II	CC 50V 0.01µF 10% RL 5x5
C451	150F-122K-5-IF	CC 50V 1200pF 10% RL 5x3
C453	157F-105M-5-GM	CE 50V 1µF 20% RL 4x7
C454	1551-0210-0	TRIMCAP 5.2-30P TZ03R300FR MUR
C456	15CH-220J-5-GG	CTC 0/60 22pF 5% RL 4x4
C457	150F-682K-5-SF	CC 50V 6800pF 10% RL
C462	157F-474M-5-GM	CE 50V 0.47µF 20% RL 4x7
C463	150F-223Z-5-UG	CC 50V 0.022µF +80/-20%
C465	157B-107M-5-KM	CE 6.3V 100µF 20% RL 6x7
C469	150F-223Z-5-UG	CC 50V 0.022µF +80/-20%
C474	150F-223Z-5-UG	CC 50V 0.022µF +80/-20%
DIODES		
D401-D409	4804-1480-C	DIODE 1N4148 ATS
D411-D414	4804-1480-C	DIODE 1N4148 ATS
SOCKETS		
J709B	2101-1661-0	SOCKET (PCB/PCB) 6P P2.0 RA
J710B	2101-1601-0	SOCKET (PCB/PCB) 16P P2.0 RA
COILS		
L401	1801-220K-M	COIL 22µH 10% AL BL7
L403	1801-5R6K-M	COIL 5.6µH 10% BL=7
CRYSTALS		
M401, M402	2300-3020-0	X'TAL 14.318MHZ +-20PPM LOAD CAP 22P HC49/U
TRANSISTORS		
Q401, Q402	4860-0770-5	TR 2SC2878 (A,B) RL
Q403	485A-933S-5	TR 2SA933S HFE 120-560 ROHM
Q404	4860-0770-5	TR 2SC2878 (A,B) RL
Q405	485A-933S-5	TR 2SA933S HFE 120-560

Reference No.	Part No.	Description
Q406	485C-123J-5	TR DTC123JSA ROHM
Q407	485A-933S-5	TR 2SA933S HFE 120-560
Q408	4860-0770-5	TR 2SC2878 (A,B) RL
Q409-Q411	485A-933S-5	TR 2SA933S HFE 120-560 ROHM
Q412	485C-123J-5	TR DTC123JSA ROHM
Q413	4860-0770-5	TR 2SC2878 (A,B) RL
Q414, Q415	4860-1590-5	TR 2SC1740S (R) HFE180-390
Q416, Q420, Q421	485A-933S-5	TR 2SA933S HFE 120-560
Q424	4860-0770-5	TR 2SC2878 (A,B) RL
Q432	485A-933S-5	TR 2SA933S HFE 120-560
Q436	4860-1590-5	TR 2SC1740S
Q437	4860-0770-5	TR 2SC2878 (A,B) RL
Q438	485C-144E-5	TR DTC144ES ROHM
RESISTORS		
R401-R406	4701-820J-C	RCF 1/8W 82R 5% ATS
R407, R408	4701-680J-C	RCF 1/8W 68R 5% ATS
R411, R412	4701-680J-C	RCF 1/8W 68R 5% ATS
R414	4701-121J-C	RCF 1/8W 120R 5% ATS
R415	4701-102J-C	RCF 1/8W 1K 5% ATS
R416	4701-563J-C	RCF 1/8W 56K 5% ATS
R417	4701-561J-C	RCF 1/8W 560R 5% ATS
R418	4701-471J-C	RCF 1/8W 470R 5% ATS
R419	4701-102J-C	RCF 1/8W 1K 5% ATS
R420, R421	4701-471J-C	RCF 1/8W 470R 5% ATS
R422	4701-102J-C	RCF 1/8W 1K 5% ATS
R423	4701-680J-C	RCF 1/8W 68R 5% ATS
R424	4701-221J-C	RCF 1/8W 220R 5% ATS
R425, R426	4701-102J-C	RCF 1/8W 1K 5% ATS
R427	4701-680J-C	RCF 1/8W 68R 5% ATS
R428	4701-333J-C	RCF 1/8W 33K 5% ATS
R429	4701-104J-C	RCF 1/8W 100K 5% ATS
R430	4701-471J-C	RCF 1/8W 470R 5% ATS
R431	4701-222J-C	RCF 1/8W 2.2K 5% ATS
R433, R434	4701-820J-C	RCF 1/8W 82R 5% ATS
R437, R438	4701-102J-C	RCF 1/8W 1K 5% ATS
R441	4701-303J-C	RCF 1/8W 30K 5% ATS
R442	4701-222J-C	RCF 1/8W 2.2K 5% ATS
R443-R445	4701-102J-C	RCF 1/8W 1K 5% ATS
R446-R449	4701-222J-C	RCF 1/8W 2.2K 5% ATS
R450	4701-122J-C	RCF 1/8W 1.2K 5% ATS
R451	4701-101J-C	RCF 1/8W 100R 5% ATS
R452	4701-104J-C	RCF 1/8W 100K 5% ATS
R453	4701-822J-C	RCF 1/8W 8.2K 5% ATS
R454	4701-152J-C	RCF 1/8W 1.5K 5% ATS
R456	4701-824J-C	RCF 1/8W 820K 5% ATS
R457	4701-682J-C	RCF 1/8W 6.8K 5% ATS
R458	4701-473J-C	RCF 1/8W 47K 5% ATS
R459	4701-221J-C	RCF 1/8W 220R 5% ATS
R462	4701-272J-C	RCF 1/8W 2.7K 5% ATS
R463	4701-121J-C	RCF 1/8W 120R 5% ATS
R467	4701-102J-C	RCF 1/8W 1K 5% ATS
R468	4701-104J-C	RCF 1/8W 100K 5% ATS
R469	4701-102J-C	RCF 1/8W 1K 5% ATS
R473	4701-682J-C	RCF 1/8W 6.8K 5% ATS
R474	4701-332J-C	RCF 1/8W 3.3K 5% ATS
R475	4701-102J-C	RCF 1/8W 1K 5% ATS
R480, R481	4701-680J-C	RCF 1/8W 68R 5% ATS
R482	4701-121J-C	RCF 1/8W 120R 5% ATS
R484	4701-471J-C	RCF 1/8W 470R 5% ATS

<u>Reference No.</u>	<u>Part No.</u>	<u>Description</u>
R485 R486, R487 R488	4701-680J-C 4701-222J-C 4701-303J-C	RCF 1/8W 68R 5% ATS RCF 1/8W 2.2K 5% ATS RCF 1/8W 30K 5% ATS
ICs U401 U402, U403	3131-3750-0 3131-3730-0	IC LC74763-9012 OSD PAL/NTSC SANYO IC BA7625 2X5CH MULTIPLEXER ROHM
<u>MAIN SW BOARD</u> <u>PC BOARD</u> 0015	PCB-N0950C-SW	MAIN SW ASSEMBLY
<u>POWER SWITCH</u> 1702 △	5200-3665-0	POWER SWITCH TV5 W/THREAD
<u>CAPACITOR</u> C761 △	8910-0091-0	CC 400V 0.01μF +-20% RL 17X9.5
<u>VIDEO BOARD</u> <u>PC BOARD</u> 0016	PCB-N0950C-VD	VIDEO ASSEMBLY
<u>JACKS</u> 1302 1303 1304	2113-1810-0 2113-1811-0 2113-1812-0	1P RCA JACK YL GOLD W/SHIELD 4P RCA JACK YL GOLD W/SHIELD 2P RCA JACK YL GOLD W/SHIELD
<u>CAPACITORS</u> C441 C450 C459-C461 C464 C466, C467 C468 C470 C476	150F-103K-2-FC 150F-223K-2-FD 157F-225M-5-GM 150F-103K-2-FC 157C-477M-5-OU 157D-108M-5-S9 157D-226M-5-GM 157C-477M-5-OU	CC 50V 0.01μF 10% AT 3.5x2 CC 50V 0.022μF 10% AT 3.2x2.2 CE 50V 2.2μF 20% RL 4x7 CC 50V 0.01μF 10% AT 3.5 CE 10V 470μF 20% RL 8x11 CE 16V 1000μF 20% RL 10x20 CE 16V 22μF 20% RL 4x7 CE 10V 470μ F 20% RL 8x11
<u>DIODES</u> D414, D415	4804-1480-C	DIODE 1N4148 ATS
<u>SOCKET</u> J708B	2101-1801-0	SOCKET (PCB/PCB) 10P P2.0
<u>TRANSISTORS</u> Q428, Q434, Q435	485A-933S-5	TR 2SA933S HFE 120-560 ROHM
ICs U404	3131-3730-0	IC BA7625 2X5CH MULTIPLEXER
<u>VIDEO-5 BOARD</u> <u>PC BOARD</u> 0017	PCB-N0950C-VD5	VIDEO-5 ASSEMBLY
<u>JACKS / WAFERS</u> 1902 1903 1904 J401 J402A M4101	2113-1290-0 2113-1291-0 2113-1292-0 2113-1183-0 2102-031R-004 2113-9503-0	1P RCA YL GOLD PLATED GND 1P RCA WH GOLD PLATED GND 1P RCA RD GOLD PLATED GND 1P DIN CONNECTOR HDC-050 WAFER 3P P2.5 RIGHT HTJ-064-07BG W/NUT/WASHER

<u>Reference No.</u>	<u>Part No.</u>	<u>Description</u>
<i>CAPACITORS</i>		
C4101, C4102	150F-101J-5-IF	CC 50V 100pF 5% RL 5x3.5
C4103	157F-225K-5-GM	CE 50V 2.2μF 10% RL 4x7
C4104	150F-223Z-5-UG	CC 50V 0.022μF +80/-20%
C4105, C4106	150F-102K-5-IF	CC 50V 1000pF 10% RL 5x3
C458, C459	157F-225M-5-GM	CE 50V 2.2μF 20% RL 4x7
<i>RESISTORS</i>		
R4101, R4102	4701-331J-C	RCF 1/8W 330R 5% ATS
R4103	4701-820J-C	RCF 1/8W 82R 5% ATS
R4104, R4105	4701-105J-C	RCF 1/8W 1M 5% ATS
R435, R436	4701-820J-C	RCF 1/8W 82R 5% ATS
<u>VOLUME BOARD</u>		
<i>PC BOARD</i>		
0018	PCB-N0950C-VOL	VOLUME ASSEMBLY
<i>WAFER</i>		
J207B	2102-031S-004	3 PIN ST. WAFER P=2.5 COULOMB
<i>VOLUME</i>		
M301	4750-6000-0	ROTARY ENCODER EC16B2425 ALPS
<u>KEY BOARD</u>		
0019 *AH	PCB-N0950C-KEY	KEYBOARD ASSEMBLY
0020 *C	PCB-N0951C-KEY	KEYBOARD ASSEMBLY
<i>VFL DISPLAY</i>		
2119	2460-1890-1	VFD 12-MT-79GNK FUTABA
<i>CAPACITORS</i>		
C201	157B-107M-5-KM	CE 6.3V 100μF 20% RL 6x7
C202	150F-103K-2-FC	CC 50V 0.01μF 10% AT
C203, C204	150F-220K-5-GG	CC 50V 22pF 10% RL 4x4
C205	150F-104Z-5-IU	CC 50V 0.1F +80/-20% RL
C206	157B-107M-5-KM	CE 6.3V 100μF 20% RL 6x7
C207	150F-104Z-5-IU	CC 50V 0.1F +80/-20% RL
C208	157D-476M-5-IU	CE 16V 47μF 20% RL 5x11
C209	157E-335M-5-GM	CE 25V 3.3μF 20% RL 4x7
C210	157D-476M-5-IU	CE 16V 47μF 20% RL 5x11
<i>DIODES</i>		
D201, D202	4804-1480-C	DIODE 1N4148 ATS
D203	4837-5B61-2	DZ 1/2W 5.45-5.73 ROHM AT (MTZJ5.6B)
D205, D206	4804-1480-C	DIODE 1N4148 ATS
D209, D210	4804-1480-C	DIODE 1N4148 ATS
D211	4837-5B61-2	DZ 1/2W 5.45-5.73 ROHM AT (MTZJ5.6B)
D212	4804-0010-2	DIODE 1N4001 AT
<i>WAFERS</i>		
J203A, J206A	2101-1581-0	FLEXIBLE CONN. 35P P1.25 SIDE ENTRY
J208B	2102-8002-3-100	WAFER 2 PIN 9MM
<i>COIL</i>		
L201	1801-220K-M	COIL 22μH 10% AL BL7
<i>SWITCHES</i>		
M201-M217, M222	5200-3538-0	SWITCH, TACT SKHHBY 7MM HIGH

<u>Reference No.</u>	<u>Part No.</u>	<u>Description</u>
IR SENSOR M218	4814-3TE2-3	IR SENSOR PIC-12043TE2
CRYSTAL M219	2300-3150-0	CRYSTAL 10MHZ +/-30PPM LOAD CAP 22P HC49U
TRANSISTORS Q201 Q202 Q204	4860-0050-5 485C-144E-5 485C-114E-5	TR SS8050 C/D SAMSUNG RL TR DTC144ES ROHM TR DTC114ES
RESISTORS R201-R203 R204-R206 R207-R209 R210-R212 R213, R214 R215-R218 R219 R220, R221 R222 R223 R224 R225,R226 R228-R232 R232-R246 R247-R250 R251-R261 R262 R263-R274 R275 R280 R282 R283 R284	4701-681J-C 4701-821J-C 4701-182J-C 4701-222J-C 4701-472J-C 4701-103J-C 4701-472J-C 4701-471J-C 4701-473J-C 4701-474J-C 4701-102J-C 4701-103J-C 4701-223J-C 4701-103J-C 4701-473J-C 4701-103J-C 4701-223J-C 4701-104J-C 4701-562J-C 4701-102J-C 4701-472J-C 4701-471J-C 4701-752J-C	RCF 1/8W 680 5% ATS RCF 1/8W 820R 5% ATS RCF 1/8W 1.8K 5% ATS RCF 1/8W 2.2K 5% ATS RCF 1/8W 4.7K 5% ATS RCF 1/8W 10K 5% ATS RCF 1/8W 4.7K 5% ATS RCF 1/8W 470R 5% ATS RCF 1/8W 47K 5% ATS RCF 1/8W 470K 5% ATS RCF 1/8W 1K 5% ATS RCF 1/8W 10K 5% ATS RCF 1/8W 22K 5% ATS RCF 1/8W 10K 5% ATS RCF 1/8W 47K 5% ATS RCF 1/8W 10K 5% ATS RCF 1/8W 22K 5% ATS RCF 1/8W 100K 5% ATS RCF 1/8W 5.6K 5% ATS RCF 1/8W 1K 5% ATS RCF 1/8W 4.7K 5% ATS RCF 1/8W 470R 5% ATS RCF 1/8W 7.5K 5% ATS
ICs U201 U202	3131-3810-0 3131-3920-0	IC LC87F65C8A 8-BIT MCU IC EEPROM 24C02 2KBIT 8PIN DIP
POWER SUPPLY BOARD 0021 *AH 0022 *C	PCB-N0950C-PSU PCB-N0951C-PSU	POWER SUPPLY ASSEMBLY POWER SUPPLY ASSEMBLY
FUSE HOLDER 3001	4132-1011-0	FUSE HOLDER
CAPACITORS C758 C759 C760 C761	8910-0091-0 150F-223Z-5-UG 157E-227M-5-PU 153F-103K-5-IM	CC 400V 0.01μF +-20% RL 17X9.5 CC 50V 0.022μF +80/-20 CE 25V 220μF 20% RL 8.5X11 CM 50V 0.01μF 10% RL 5x7
DIODES D751 D752-D755	4804-1480-C 4804-0040-1	DIODE 1N4148 ATS DIODE 1N4004 AL
WAFERS / JACKS J201B J605B	2102-051S-004 2102-021S-004	5P ST.WAFER P=2.5 COLOMB 2P ST.WAFER P=2.5 COULOMB

<u>Reference No.</u>	<u>Part No.</u>	<u>Description</u>
M702, M703	2113-1179-0	PHONE JACK D3.5 BK JY-3537-01-140
SWITCHES		
M752 *C \triangle	5120-0017-0	FU T4A 250V SEMKO/UDE HBC
M753 \triangle	4500-0890-0	RELAY 12VDC,250VAC,10A SDT-SS-112DM OEG
M754 *C \triangle	5120-0018-0	FU T1A 250V SEMKO/UDE 5X20MM
M751 *AH \triangle	5120-0040-0	FU T6.3A 250V 5X20 UL
M754 *AH \triangle	5120-0052-0	FUSE T1.6A 250V 5X20MM
TRANSISTOR		
Q751	485C-123J-5	TR DTC123JSA ROHM
RESISTORS		
R750	4701-102J-C	RCF 1/8W 1K 5% ATS
R754	4717-8R2J-2-F	RMF 1/2W 8.2R 5% AL
R758 *AH \triangle	4717-335J-2-S	RMF 1/2W 3.3M 5% AT UL
TRANSFORMER		
T752	1806-2311-0	EI-35 TRANSFORMER 12V/AC 200MA Q0020C
IC		
U701	3130-2520-3	IC 7812 12V REGULATOR (SGS)
TUNER BOARD		
0023 *AH	PCB-N0950C-TUN	TUN ASSEMBLY
0024 *C	PCB-N0951C-TUN	TUN ASSEMBLY
JACKS / ANT-TERMINALS		
1002	2113-1805-0	6P RCA JACK R/W GOLD W/SHIELD
1003 *AH	2107-0641-0	ANT-TERMINAL F-TYPE
1003 *C	2107-0681-0	ANT-TERMINAL (DIN-TYPE)
CAPACITORS		
C381-C386	150F-101K-2-FC	CC 50V 100pF 10% AT
C901 *C	150F-223Z-5-UG	CC 50V 0.022 μ F +80/-20%
C902, C903	150F-223Z-5-UG	CC 50V 0.022 μ F +80/-20%
C904	157D-106M-5-GM	CE 16V 10 μ F 20% RL 4x7
C906	157D-107M-5-IU	CE 16V 100 μ F 20% RL 5x11
C911	150F-200J-5-GG	CC 50V 20pF 5% RL 4x4
C912, C913	150F-102K-5-IF	CC 50V 1000pF 10% RL 5x3.5
C914, C915	150F-101J-5-IF	CC 50V 100pF 5% RL 5x3.5
C916	150F-331K-5-GE	CC 50V 330pF 10% RL 4x3
C924, C925	15CH-200J-5-GG	CTC 0/60 20pF 5% RL 4x4
C926	153F-333J-5-NLM	CM 50V 0.033 μ F 5% RL 7.5X6.5 METALZD
C927	157F-225M-5-GM	CE 50V 2.2 μ F 20% RL 4x7
C928	157D-106M-5-GM	CE 16V 10 μ F 20% RL 4x7
C929	157F-224M-5-GM	CE 50V 0.22 μ F 20% RL 4x7
C930	150F-223Z-5-UG	CC 50V 0.022 μ F +80/-20%
C931	157B-107M-5-KM	CE 6.3V 100 μ F 20% RL 6x7
C932	150F-223Z-5-UG	CC 50V 0.022 μ F +80/-20%
C941	150F-223Z-5-UG	CC 50V 0.022 μ F +80/-20%
C942	157D-107M-5-IU	CE 16V 100 μ F 20% RL 5x11
C943	157F-225M-5-GM	CE 50V 2.2 μ F 20% RL 4x7
C944	157F-475M-5-GM	CE 50V 4.7 μ F 20% RL 4x7
C945	150F-101J-5-IF	CC 50V 100pF 5% RL 5x3.5
C946	157F-105M-5-GM	CE 50V 1 μ F 20% RL 4x7
C947	157F-474M-5-GM	CE 50V 0.47 μ F 20% RL 4x7
C948	157F-105M-5-GM	CE 50V 1 μ F 20% RL 4x7
C949, C950	150F-223Z-5-UG	CC 50V 0.022 μ F +80/-20%
C951	157F-225M-5-GM	CE 50V 2.2 μ F 20% RL 4x7

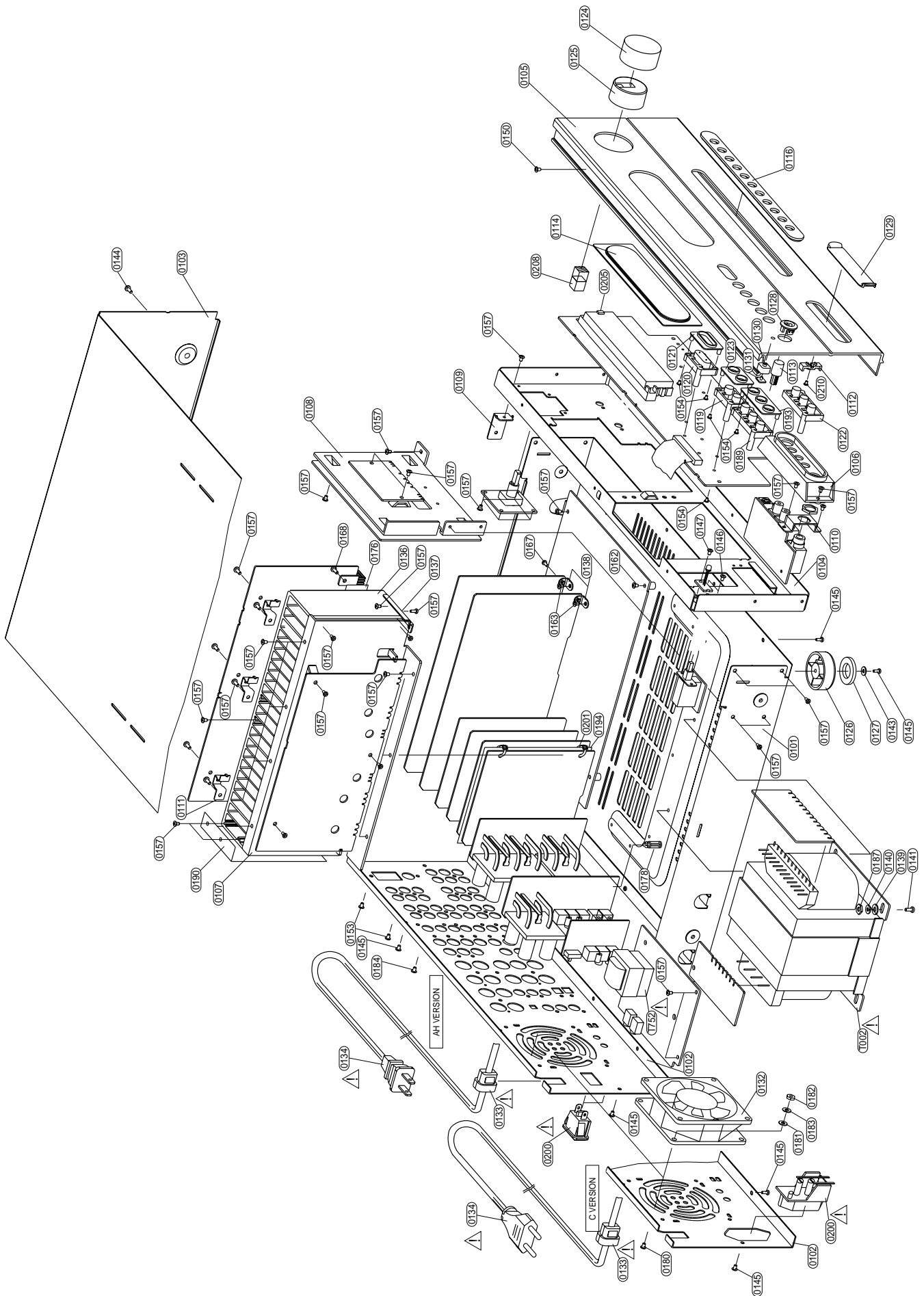
<u>Reference No.</u>	<u>Part No.</u>	<u>Description</u>
C953, C954	153F-272J-5-JM	CM 50V 2700pF 5% RL 5.5x7
C959, C960	157D-226M-5-GM	CE 16V 22μF 20% RL 4x7
C961, C962 *AH	153F-272J-5-JM	CM 50V 2700pF 5% RL
C961, C962 *C	153F-152J-5-JM	CM 50V 1500pF 5% RL 5.5x7
C963, C964	157D-226M-5-GM	CE 16V 22μF 20% RL 4x7
C965	153F-272J-5-JM	CM 50V 2700pF 5% RL
C967	157D-474M-5-II	CE 16V 0.47μF 20% RL 5x5
C968	150F-223Z-5-UG	CC 50V 0.022μF +80/-20%
C969	157D-476M-5-IM	CE 16V 47μF 20% RL 5x7
C970	153F-223J-5-LQ	CM 50V 0.022μF 5% RL 6.5x9
C971	15CH-080D-5-GG	CTC 0/60 8pF 0.5pF RL 4x4
C973	153F-473J-5-NLM	CM 50V 0.047μF 5% RL 7.5X6.5 METALZD
C974	150F-223Z-5-UG	CC 50V 0.022μF +80/-20%
C975	157D-106M-5-GM	CE 16V 10μF 20% RL 4x7
C976	150F-223Z-5-UG	CC 50V 0.022μF +80/-20%
C977	157F-225M-5-GM	CE 50V 2.2μF 20% RL 4x7
C978	150F-223Z-5-UG	CC 50V 0.022μF +80/-20%
C979	157D-226M-5-GM	CE 16V 22μF 20% RL 4x7
C981	150F-223Z-5-UG	CC 50V 0.022μF +80/-20%
C982	150F-101J-5-IF	CC 50V 100pF 5% RL 5x3.5
C985	150F-561K-5-GG	CC 50V 560pF 10% RL 4x4
C986	157B-107M-5-KM	CE 6.3V 100μF 20% RL 6x7
C987	150F-223Z-5-UG	CC 50V 0.022μF +80/-20%
C988,C989	15CH-300J-5-IG	CTC 0/60 30pF 5% RL 5x4
C990	157B-107M-5-KM	CE 6.3V 100μF 20% RL 6x7
C991	153F-102J-5-IM	CM 50V 1000PF 5% RL 5x7
C992	150F-103K-5-II	CC 50V 0.01μF 10% RL 5x5
DIODES		
D901	4837-4C20-2	DZ 1/2W 5.0-5.2V AT
D902	4837-7C20-2	DZ 1/2W 9.1-9.5V AT
SOCKETS		
J703B	2101-1801-0	SOCKET (PCB/PCB) 10P P2.0
J704B	2101-1601-0	SOCKET (PCB/PCB) 16P P2.0 RA
COILS		
L901	1801-220K-M	COIL 22μH 10% AL BL7
L903, L904	5600-3386-S	COIL MPX LPF NMC-4085
L905	1801-101K-M	COIL 100μH 10%
L941	5600-3396-S	COIL FM DET-1 10.7MHZ NFIF-4081
L942	5600-3406-S	COIL FM DET-2 10.7MHZ NFIF-4082
L971	5600-3280-G	COIL MW RF BLOCK MNRF-5077
L972	5600-3416-S	COIL AM IFT NMIF-4062
L985	1801-101K-M	COIL 100μH 10%
TUNERS		
M901 *AH	1300-0666-0	TUNER EVN172C4G1 PANASONIC
M901 *C	1300-0726-0	TUNER ENV172D3G1 PANASONIC
CERAMIC FILTERS / CRYSTALS		
M902-M904	2701-0010-1	CF10.7 +-30 SFE10.7MA5-A
M905	2300-0440-0	CRYSTAL 7.2MHZ 20PPM
M911	2701-0680-0	CF 450 +-1 SFZ450JL3 MURATA
M985	2300-1220-0	CRYSTAL 4.332MHZ
P901	2113-1160-0	WAFER 2P ST. P=2.5 NH JST
TRANSISTORS		
Q901 *C	485C-945P-5	TR 2SC945P HFE 200-400

<u>Reference No.</u>	<u>Part No.</u>	<u>Description</u>
Q902	4851-9230-5	TR 2SC1923-0 HFE 70-140
Q903	485A-114E-5	TR DTA114ESA ROHM
Q922, Q923, Q942	4860-1590-5	TR 2SC1740S (R) HFE180-390
Q943, Q944	4860-8120-0	TR 2SD 1468 S
Q945	485A-114E-5	TR DTA114ESA ROHM
COILS / SEMI-FIXEDS		
R912	1801-101K-M	COIL 100µH 10%
R941	4756-2236-3-06	SVR 22K H3 7X7.6 RH0615C
R956	4756-1036-3-06	SVR 10K H3 7X7.6 RH0615C
RESISTORS		
R380, R381	4701-331J-C	RCF 1/8W 330R 5% ATS
R382, R384	4701-104J-C	RCF 1/8W 100K 5% ATS
R383, R385	4701-331J-C	RCF 1/8W 330R 5% ATS
R386, R388	4701-104J-C	RCF 1/8W 100K 5% ATS
R387, R389	4701-331J-C	RCF 1/8W 330R 5% ATS
R390, R391	4701-104J-C	RCF 1/8W 100K 5% ATS
R901 *AH	4701-332J-C	RCF 1/8W 3.3K 5% ATS
R901 *C	4701-333J-C	RCF 1/8W 33K 5% ATS
R902	4701-220J-C	RCF 1/8W 22R 5% ATS
R903 *AH	4701-102J-C	RCF 1/8W 1K 5% ATS
R903 *C	4701-123J-C	RCF 1/8W 12K 5% ATS
R904 *C	4701-331J-C	RCF 1/8W 330R 5% ATS
R906	4701-103J-C	RCF 1/8W 10K 5% ATS
R907 *C	4701-332J-C	RCF 1/8W 3.3K 5% ATS
R908 *C	4701-471J-C	RCF 1/8W 470R 5% ATS
R909, R910	4701-331J-C	RCF 1/8W 330R 5% ATS
R911	4701-101J-C	RCF 1/8W 100R 5% ATS
R913	4701-330J-C	RCF 1/8W 33R 5% ATS
R915	4701-103J-C	RCF 1/8W 10K 5% ATS
R916	4701-102J-C	RCF 1/8W 1K 5% ATS
R918	4701-472J-C	RCF 1/8W 4.7K 5% ATS
R919-R924	4701-102J-C	RCF 1/8W 1K 5% ATS
R925, R926	4701-820J-C	RCF 1/8W 82R 5% ATS
R927	4701-103J-C	RCF 1/8W 10K 5% ATS
R928	4701-221J-C	RCF 1/8W 220R 5% ATS
R929	4701-332J-C	RCF 1/8W 3.3K 5% ATS
R931	4701-220J-C	RCF 1/8W 22R 5% ATS
R933	4701-103J-C	RCF 1/8W 10K 5% ATS
R942	4701-472J-C	RCF 1/8W 4.7K 5% ATS
R943	4701-822J-C	RCF 1/8W 8.2K 5% ATS
R944	4701-104J-C	RCF 1/8W 100K 5% ATS
R945	4701-392J-C	RCF 1/8W 3.9K 5% ATS
R946	4701-332J-C	RCF 1/8W 3.3K 5% ATS
R947, R948	4701-103J-C	RCF 1/8W 10K 5% ATS
R949	4701-332J-C	RCF 1/8W 3.3K 5% ATS
R950	4701-684J-C	RCF 1/8W 680K 5% ATS
R951	4701-102J-C	RCF 1/8W 1K 5% ATS
R952, R953	4701-223J-C	RCF 1/8W 22K 5% ATS
R954	4701-103J-C	RCF 1/8W 10K 5% ATS
R955	4701-220J-C	RCF 1/8W 22R 5% ATS
R957, R958 *AH	4701-332J-C	RCF 1/8W 3.3K 5% ATS
R957, R958 *C	4701-272J-C	RCF 1/8W 2.7K 5% ATS
R959, R960 *AH	4701-683J-C	RCF 1/8W 68K 5% ATS
R959, R960 *C	4701-334J-C	RCF 1/8W 330K 5% ATS
R961, R962	4701-222J-C	RCF 1/8W 2.2K 5% ATS
R963, R964	4701-104J-C	RCF 1/8W 100K 5% ATS
R968	4701-102J-C	RCF 1/8W 1K 5% ATS
R972	4701-103J-C	RCF 1/8W 10K 5% ATS

<u>Reference No.</u>	<u>Part No.</u>	<u>Description</u>
R973	4701-183J-C	RCF 1/8W 18K 5% ATS
R974	4701-104J-C	RCF 1/8W 100K 5% ATS
R975 *AH	4701-273J-C	RCF 1/8W 27K 5% ATS
R975 *C	4701-563J-C	RCF 1/8W 56K 5% ATS
R985-R987	4701-102J-C	RCF 1/8W 1K 5% ATS
ICs		
U901	3130-8180-0	IC LA1837 AM/FM IF
U902	3131-9040-0	IC LC72723M RDS DEMODULATOR MFP16
U903	3131-3760-0	IC LC7218 PLL FREQ SYNTHESIZER SANYO





- NOTE:**
- The components identified by \triangle mark are critical for risk of fire and electrical shock. Replace only with part number specified.
 - <*AH > : USA, Canadian model only.
 - <*C > : European model only.
 - Capacitors : CP-Polystyrene, CM-Mylar, CE-Electrolytic, CC-Ceramic, CTC-NPO.
 - Resistors : RMF-Metal Film, RCF-Carbon Film, RWR-Wirewound Metal Oxide.


EXPLODED VIEW



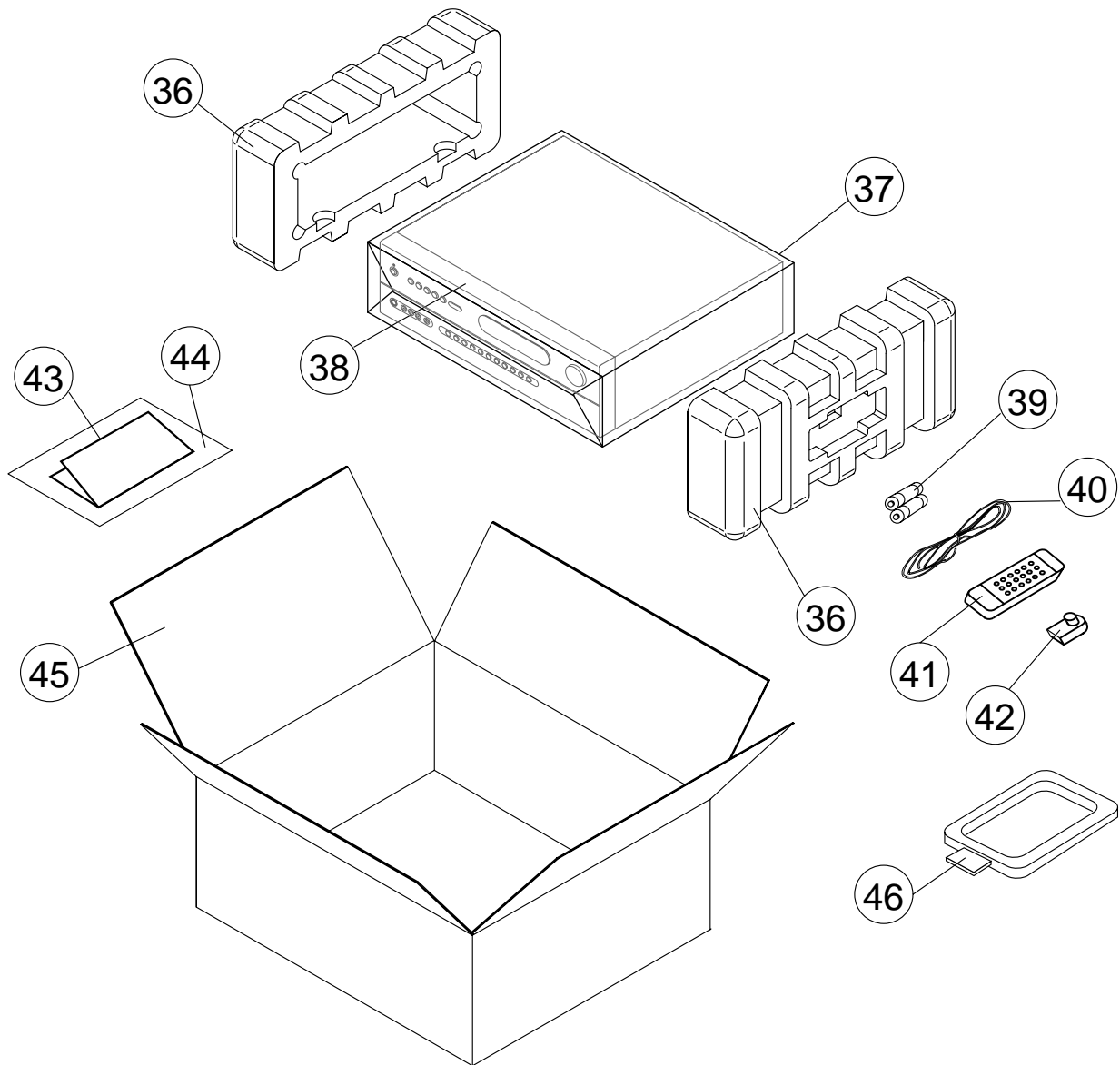
EXPLODED VIEW PARTS LIST

<u>ITEM</u>	<u>Part No.</u>	<u>Description</u>	<u>Qty</u>
0101	1403-5160-1	BOTTOM CHASSIS (T-760)	1
0102 *AH	1403-6390-0	REAR PANEL T-761 (AH)	1
0102 *C	1403-6391-0	REAR PANEL T-761(C)	1
0103 *AH	1403-5181-0	TOP COVER T-761	1
0103 *C	1403-5182-0	TOP COVER T-761	1
0104	1403-6510-0	SUB-FASCIA T-761	1
0105 *AH, *C	1403-6380-0	FASCIA T-761	1
0106	4152-7830-0	FRONT INPUT BEZEL T-761	1
0107	4134-9031-0	BRACKET SURR BOARD T-760	1
0108	4134-9041-0	BRACKET AC3 BOARD T-760	1
0109	4134-9051-0	BRACKET ANGLE	2
0110	4134-9061-0	BRACKET PHONES	1
0111	4134-9071-0	BRACKET PCB MOUNTING	5
0112	4154-0311-0	DUMMY CLAMP	1
0113	2444-1601-0	POWER BUTTON GREEN LONG	1
0114	3716-4401-0	WINDOW LENS	1
0116	4152-4341-0	INPUT BUTTON LOZENGE	1
0119	2444-1901-0	DUO BUTTON T-760	1
0120	2444-1301-1	BUTTON RACKER (NICKEL)	1
0121	4154-0091-0	BEZEL RACKER (NICKEL)	1
0122	2444-2101-0	INPUT BUTTON	4
0123	4154-0411-0	BEZEL DUO	1
0124	4134-9081-0	VOLUME KNOB SKIN T-760	1
0125	4154-0341-0	VOLUME KNOB CORE T-760	1
0126	4152-4631-0	RUBBER FOOT (522) 14MM HIGH	4
0127	4152-4641-0	CUSHION FOOT (522)	4
0128	4152-4331-0	POWER BUTTON BEZEL	1
0129	4152-7900-0	VIDEO COVER T-761	1
0130	4152-1701-0	LED BEZEL (117)	0
0131	3714-5706-0	LED LENS (412) CLEAR SAN	1
0132	8900-3040-1	DC FAN 12V 80x80mm L=230MM	1
0133	△ 4152-3851-0	SQ. STRAIN RELIEF BUSING	1
0134 *AH	△ 7009-3100-2	AC CORD 18AWGX2	1
0134 *C	△ 7009-3110-0	AC CORD (SEMKO)	1
0136	5400-9051-0	HEATSINK T-760	1
0137	4134-0121-0	HEATSINK MOUNTING BRACKET	2
0138	4152-0451-0	L-BRACKET	2
0139	2600-4008-0973	FLAT WASHER M4X0.8X9.7 BZ	4
0140	2607-4010-0703	SPRING WASHER M4X1X7 BZ	4
0141	2904-4010-3000	SCREW M4X10 (BLK)	4
0143	2842-3367-0	METAL WASHER ID=3.3 OD=6.7	4
0144	2900-4006-3010	M4X0.5PX6MM W/FLAT WASHER	6
0145	2954-3008-3000	T3X8MM SELF TAPPING	37
0146	2904-3008-0000	M3X8MM BINDING HEAD (YEL.ZN)	2

ITEM	Part No.	Description	Qty
0147	2954-3006-0000	3X6MM B-TITE (YEL.ZN)	1
0154	2954-2606-3000	SCREW BH 2.6X6 BLACK	23
0157	2954-3008-0000	TAPPING 3X8MM B-TITE (YEL.ZN)	62
0162	2904-3006-0000	SCREW M3X6	3
0167	2954-3006-0000	3X6MM B-TITE (YEL.ZN)	2
0168	2900-3010-3030	SCREW M3X10 W/S&F WASHER (BLK)	10
0176	3100-3211-0	SILICON SHEET (26X20MM)	10
0178	4152-5831-0	PCB SUPPORT 12MM HIGH	1
0180	2904-3012-3000	M.SCREW M3X12 B/H BLACK ZINC	4
0181	2600-3005-0800	METAL WASHER M3X0.5X8MM ZNC	4
0182	2640-3022-0540	M3 NUT	4
0183	2607-3007-0550	SPRING WASHER	4
0184	2954-2608-3000	SCREW BT 2.6X8 BLACK ZINC	7
0187	2640-4030-0703	M4 NUT (BLK)	4
0189	2444-1201-0	BUTTON TRIO (NICKEL)	1
0190	4154-1991-1	HEAT INSULATION SHEET	1
0193	4154-0031-0	BEZEL TRIO (NICKEL)	1
0194	4154-1941-0	PROTECTION SHEET	1
0200 *C 	2113-1317-0	AC INLET EUROPE 250V/2.5A	1
0200 *AH 	2113-1662-0	AC INLET 2 PIN 15A	1
0201	6360-0012-0	PLASTIC CABLE TIE (BLK)	16
0205	4152-3291-1	FOAM 6X4X1.5T MM	1
0208	4152-1161-0	FOAM RUBBER 10X10X10 BK W/TAPE	2
0210	2954-2006-0000	TAPPING SCREW 2X6	6
T002 *AH, *C 	1806-2414-0	TRANSFORMER EI-105 120-230V	1
T752 	1806-2311-0	EI-35 TRANSFORMER 12V/AC 200MA Q0020C	1

- NOTE:**
- The components identified by  mark are critical for risk of fire and electrical shock. Replace only with part number specified.
 - <*AH > : USA, Canadian model only.
 - <*C > : European model only.

PACKING DIAGRAM



ITEM	PART NO.	DESCRIPTION	Q'TY
36	1490-2783-2	POLYFORM ENDCAP	2
37	1497-1072-4	UNIT POLYBAG	1
38	1497-1162-0	FASCIA COVER	1
39	4060-0530-0	BATTERIES	2
40	2107-0661-1	300 OHM T ANTENNA	1
41	8900-2167-0	REMOTE CONTROL HANDSET	1
42*AH	2103-6101-0	RF CONNECTOR PLUG	1
42*C	2103-6201-0	RF CONNECTOR PLUG	1
43	4301-4113-1	OWNER'S MANUAL (GB,F,D)	1
43	4301-4114-1	OWNER'S MANUAL (E,I,S,P)	1
44	1497-1062-0	MANUAL POLYBAG	1
45	1478-1300-0	CARTON BOX	1
46	2113-1155-0	AM LOOP ANTENNA	1

Proprietary information for servicing purposes only. The information herein may not be used commercially without the prior written agreement of NAD Electronics International, Toronto, Canada.

SERVICE MANUAL

© NAD 2001

**NAD ELECTRONICS INTERNATIONAL
TORONTO**