

C660

AUDIO CD RECORDER

SERVICE MANUAL

C660

AUDIO CD RECORDER



CONTENTS

SPECIFICATIONS	2	BLOCK DIAGRAMS	31
SERVICING PRECAUTIONS	3	CIRCUIT DIAGRAMS	34
ESD PRECAUTIONS	5	PRINTED CIRCUIT BOARD DIAGRAMS	41
TROUBLESHOOTING GUIDE	6	EXPLODED VIEW	47
OVERALL WIRING DIAGRAM	29	REPLACEMENT PARTS LIST	50

SPECIFICATIONS

Signal Format	
Playback Sampling Frequency	44.1 kHz
D/A Conversion	96kHz, Multi-Bit Delta-Sigma Conversion
Oversampling	128 Times

Playback Specifications

Frequency Response	2Hz – 20,050Hz
Playback S/N	100dB
Playback Dynamic Range	95dB
Playback THD	0.005% / –88dB
Analog Audio Output	2V RMS, ± 2dB (1KHz 0dB)
Digital-Coaxial Output	0.5 Vpp/75Ω
Headphone Output	0.5V RMS/32Ω Load (1KHz 0dB)

Record Specifications

Digital Dubbing Mode (X1/X2/X4)	Equal to source
Digital Input Sample Rate	32kHz ~ 96kHz
Signal/Noise Ratio - Analog	84dB
Signal/Noise Ratio - External (Source)	source-10dB
Dynamic Range	87dB
THD	0.005%/-85dB
Analog Input Sensitivity	300 mV RMS 47kΩ = 0dB
Digital Inputs (Direct Recording)	44.1kHz, ± 100 ppm/min.

General

Power Requirement	100~240V AC, 50/60Hz
Power Consumption	28 Watts
Dimensions	
Width	17.3"/440mm
Height	4.4"/112mm
Depth	13.9"/354mm
Weight	14.3 lb/6.5 kg

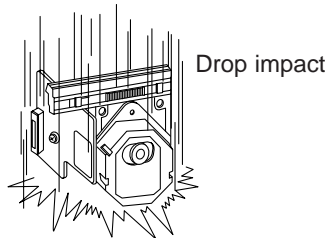
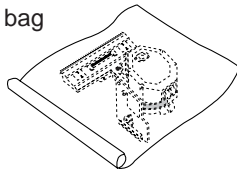
SERVICING PRECAUTIONS

NOTES REGARDING HANDLING OF THE PICK-UP

1. Notes for transport and storage

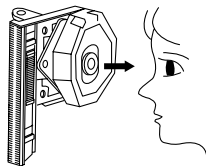
- 1) The pick-up should always be left in its conductive bag until immediately prior to use.
- 2) The pick-up should never be subjected to external pressure or impact.

Storage in conductive bag



2. Repair notes

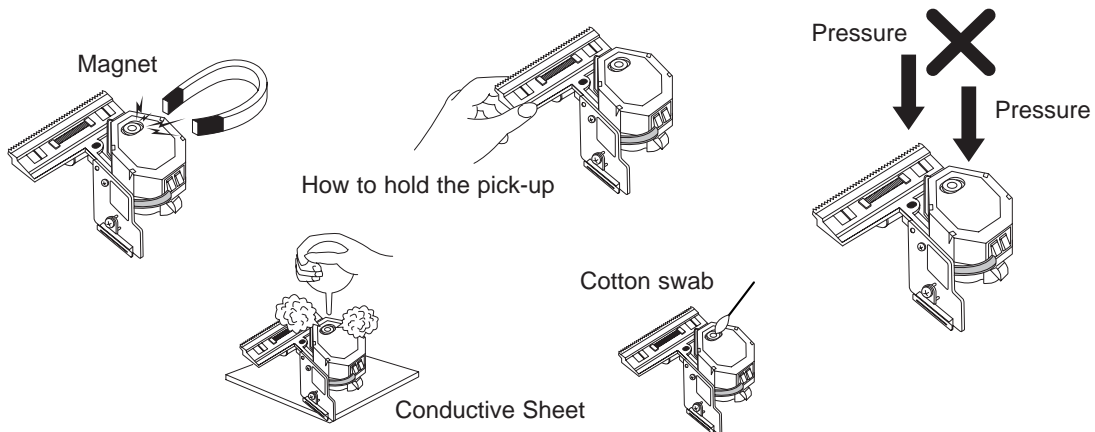
- 1) The pick-up incorporates a strong magnet, and so should never be brought close to magnetic materials.
- 2) The pick-up should always be handled correctly and carefully, taking care to avoid external pressure and impact. If it is subjected to strong pressure or impact, the result may be an operational malfunction and/or damage to the printed-circuit board.
- 3) Each and every pick-up is already individually adjusted to a high degree of precision, and for that reason the adjustment point and installation screws should absolutely never be touched.
- 4) Laser beams may damage the eyes!
Absolutely never permit laser beams to enter the eyes!
Also NEVER switch ON the power to the laser output part (lens, etc.) of the pick-up if it is damaged.



NEVER look directly at the laser beam, and don't let contact fingers or other exposed skin.

5) Cleaning the lens surface

If there is dust on the lens surface, the dust should be cleaned away by using an air bush (such as used for camera lens). The lens is held by a delicate spring. When cleaning the lens surface, therefore, a cotton swab should be used, taking care not to distort this.



6) Never attempt to disassemble the pick-up.

Spring by excess pressure. If the lens is extremely dirty, apply isopropyl alcohol to the cotton swab. (Do not use any other liquid cleaners, because they will damage the lens.) Take care not to use too much of this alcohol on the swab, and do not allow the alcohol to get inside the pick-up.

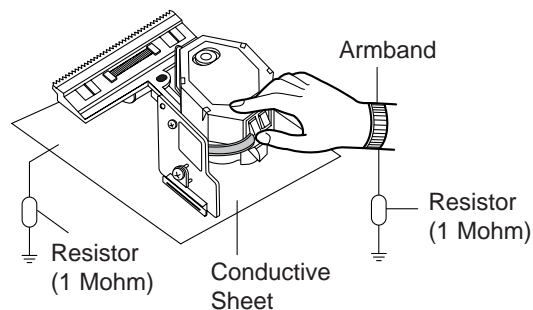
NOTES REGARDING COMPACT DISC PLAYER REPAIRS

1. Preparations

- 1) Compact disc players incorporate a great many ICs as well as the pick-up (laser diode). These components are sensitive to, and easily affected by, static electricity. If such static electricity is high voltage, components can be damaged, and for that reason components should be handled with care.
- 2) The pick-up is composed of many optical components and other high-precision components. Care must be taken, therefore, to avoid repair or storage where the temperature of humidity is high, where strong magnetism is present, or where there is excessive dust.

2. Notes for repair

- 1) Before replacing a component part, first disconnect the power supply lead wire from the unit
- 2) All equipment, measuring instruments and tools must be grounded.
- 3) The workbench should be covered with a conductive sheet and grounded.
When removing the laser pick-up from its conductive bag, do not place the pick-up on the bag. (This is because there is the possibility of damage by static electricity.)
- 4) To prevent AC leakage, the metal part of the soldering iron should be grounded.
- 5) Workers should be grounded by an armband (1M Ω)
- 6) Care should be taken not to permit the laser pick-up to come in contact with clothing, in order to prevent static electricity changes in the clothing to escape from the armband.
- 7) The laser beam from the pick-up should NEVER be directly facing the eyes or bare skin.



ESD PRECAUTIONS

Electrostatically Sensitive Devices (ESD)

Some semiconductor (solid state) devices can be damaged easily by static electricity. Such components commonly are called Electrostatically Sensitive Devices (ESD). Examples of typical ESD devices are integrated circuits and some field-effect transistors and semiconductor chip components. The following techniques should be used to help reduce the incidence of component damage caused by static electricity.

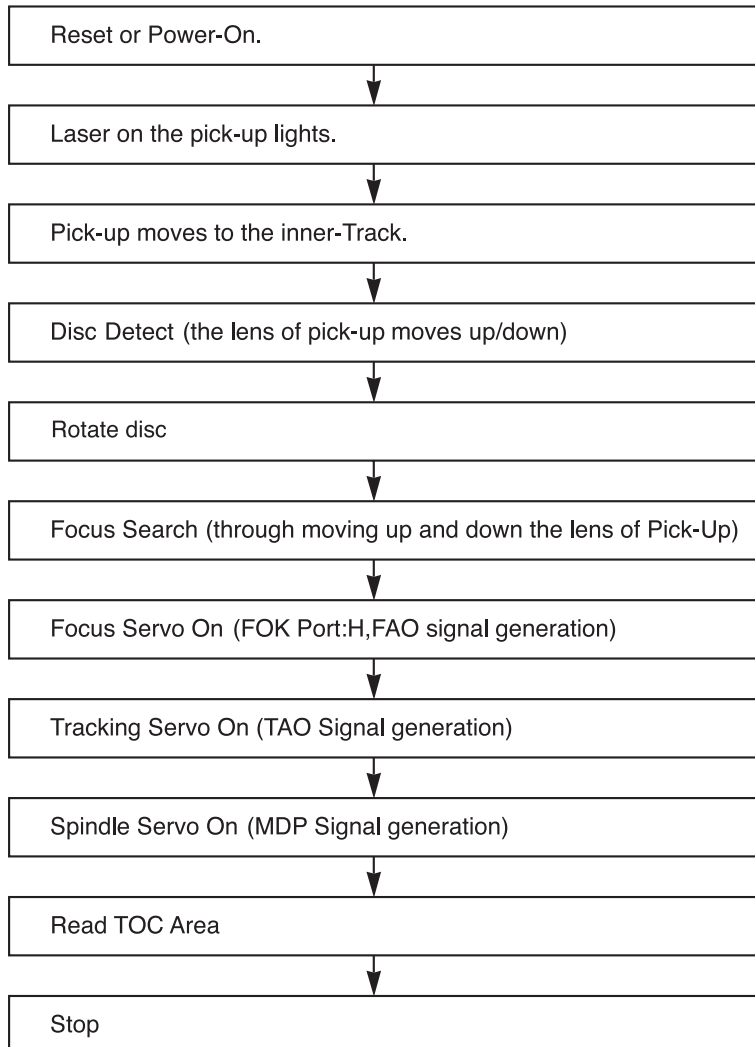
1. Immediately before handling any semiconductor component or semiconductor-equipped assembly, drain off any electrostatic charge on your body by touching a known earth ground. Alternatively, obtain and wear a commercially available discharging wrist strap device, which should be removed for potential shock reasons prior to applying power to the unit under test.
2. After removing an electrical assembly equipped with ESD devices, place the assembly on a conductive surface such as aluminum foil, to prevent electrostatic charge buildup or exposure of the assembly.
3. Use only a grounded-tip soldering iron to solder or unsolder ESD devices.
4. Use only an anti-static solder removal device. Some solder removal devices not classified as "anti-static" can generate electrical charges sufficient to damage ESD devices.
5. Do not use freon-propelled chemicals. These can generate electrical charges sufficient to damage ESD devices.
6. Do not remove a replacement ESD device from its protective package until immediately before you are ready to install it. (Most replacement ESD devices are packaged with leads electrically shorted together by conductive foam, aluminum foil or comparable conductive materials).
7. Immediately before removing the protective material from the leads of a replacement ESD device, touch the protective material to the chassis or circuit assembly into which the device will be installed.

CAUTION : BE SURE NO POWER IS APPLIED TO THE CHASSIS OR CIRCUIT, AND OBSERVE ALL OTHER SAFETY PRECAUTIONS.

8. Minimize bodily motions when handling unpackaged replacement ESD devices. (Otherwise harmless motion such as the brushing together of your clothes fabric or the lifting of your foot from a carpeted floor can generate static electricity sufficient to damage an ESD device).

TROUBLESHOOTING GUIDE

1. Initial Lead-in Operation

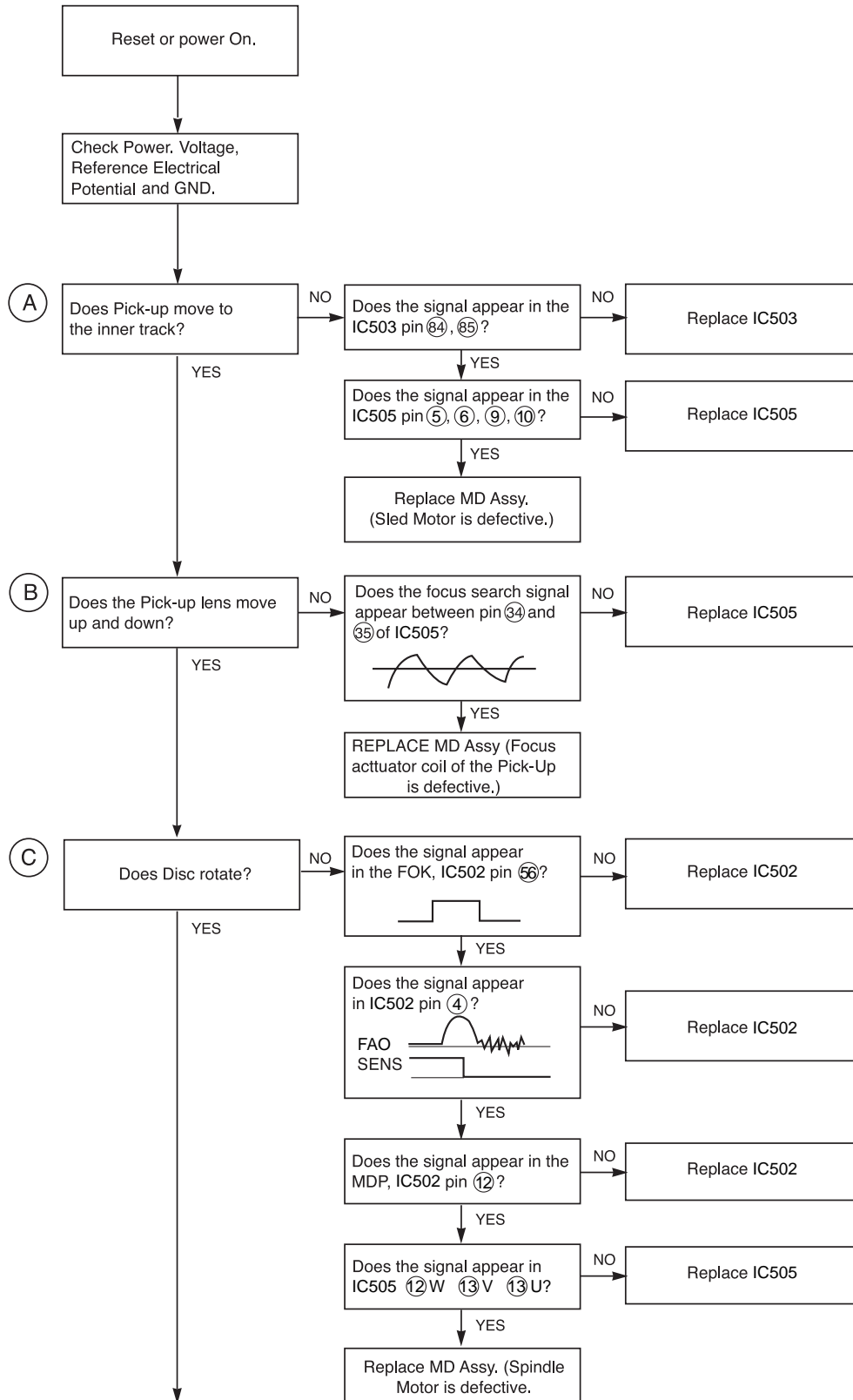


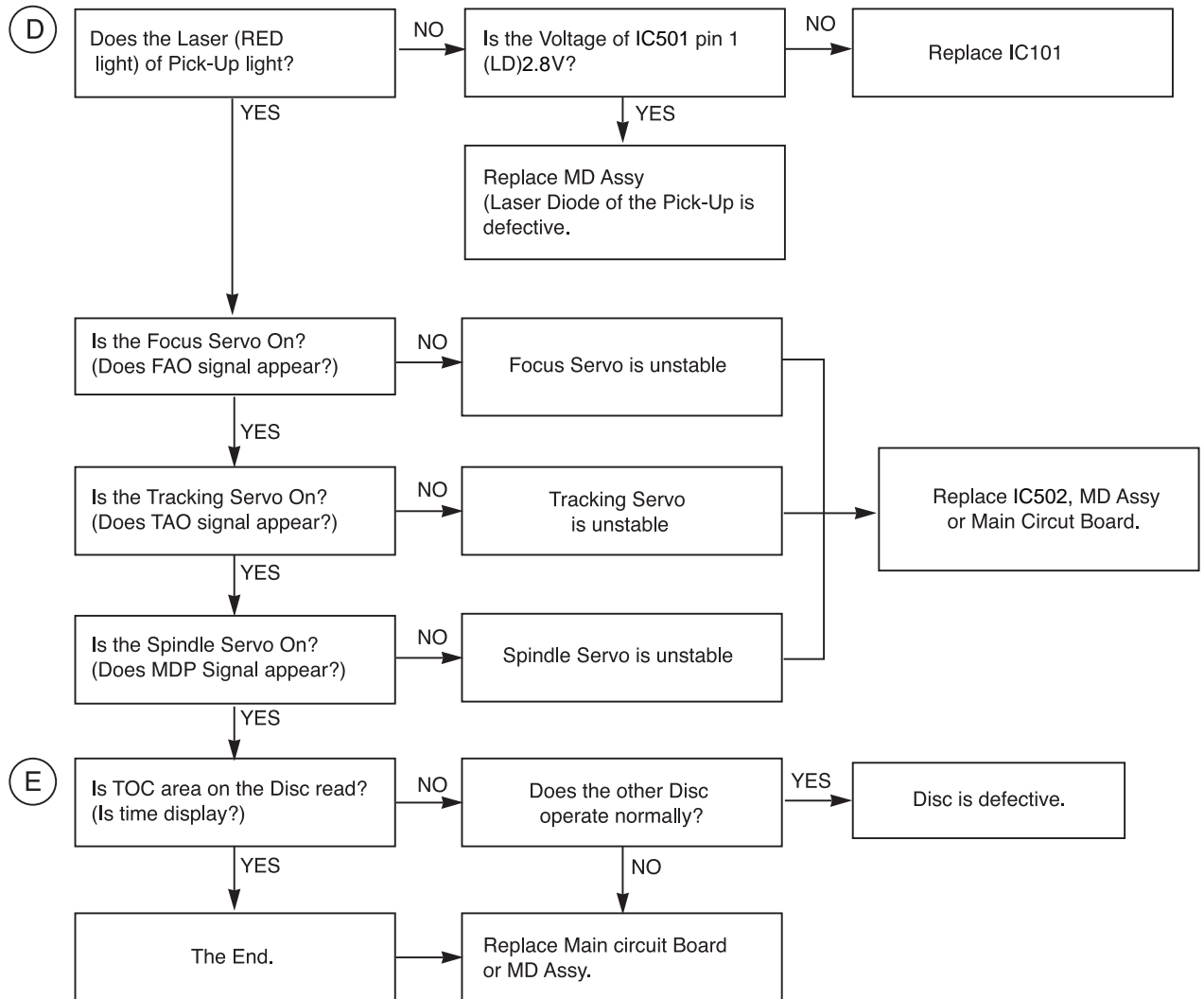
2. Trouble List (Circuit)

(In the Initial Lead-in Operation Mode)

- A. Pick-Up doesn't move to the inner-track.
- B. Pick-Up lens doesn't move up and down.
- C. Disc doesn't rotate.
- D. The Laser (RED) of Pick-Up doesn't light.
- E. TOC isn't read.

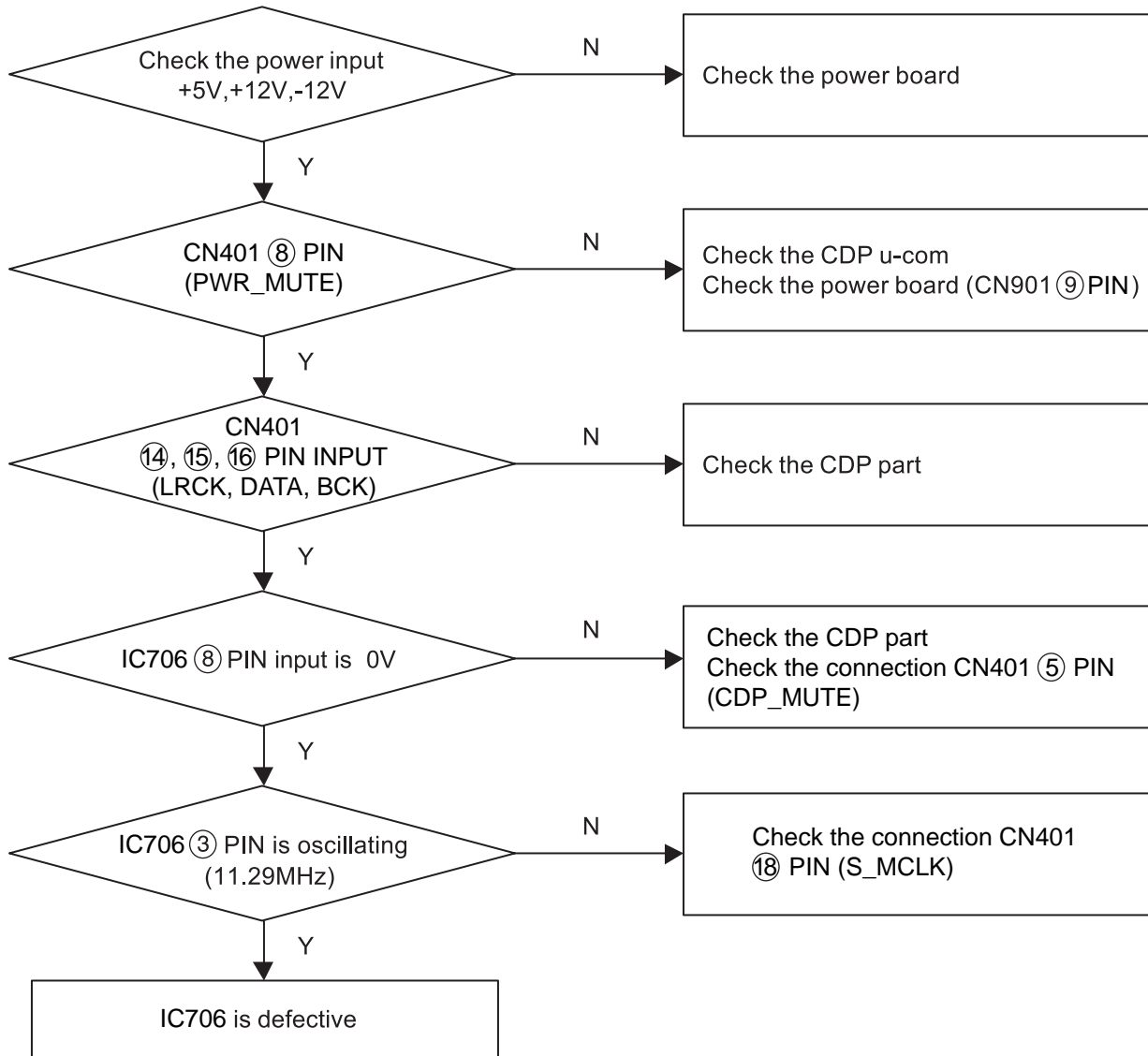
3. Troubleshooting Guide (In the Initial Lead-in Operation Mode)





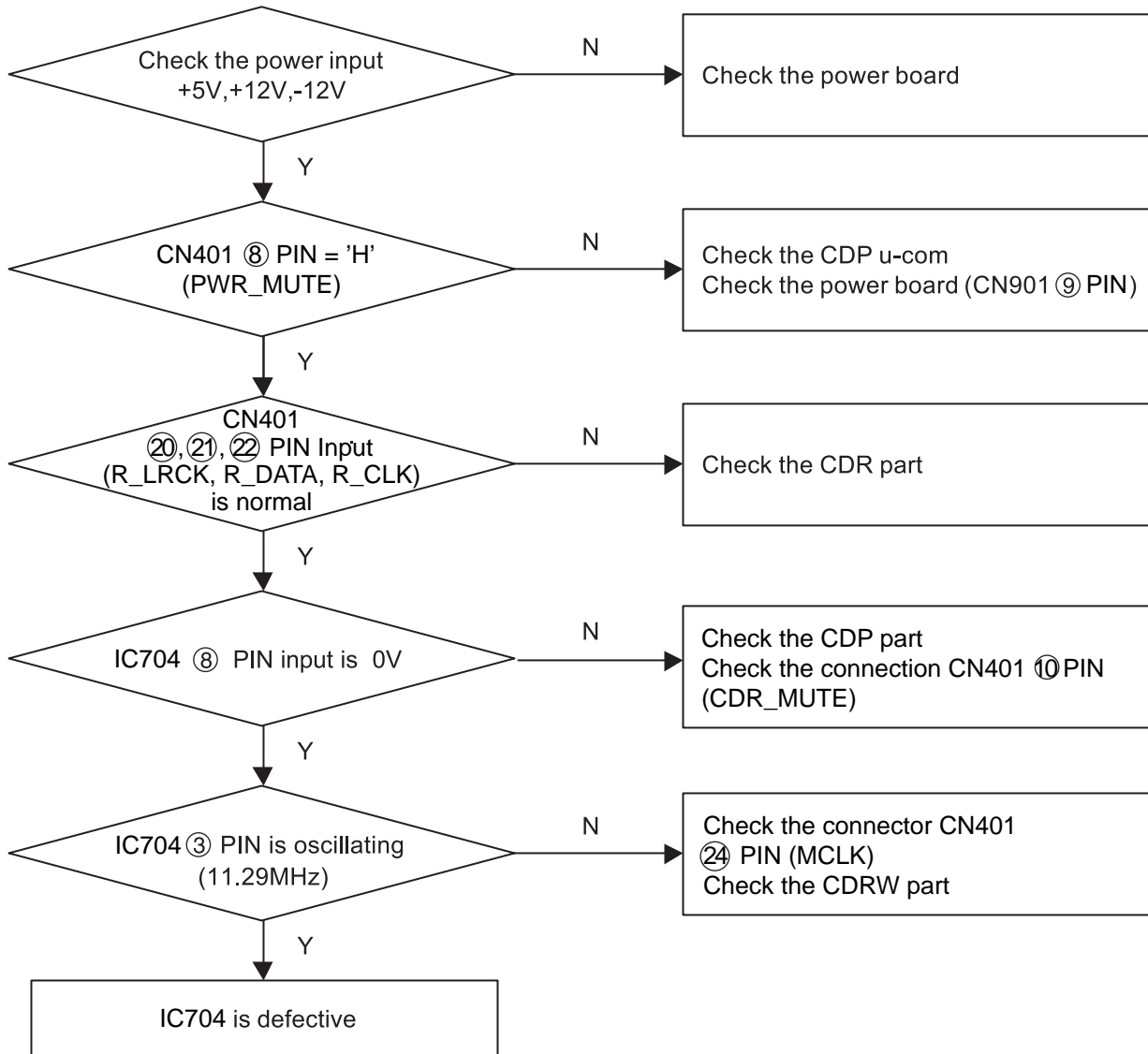
NO AUDIO(CDP JACK)

CURRENT DECK IS CDP

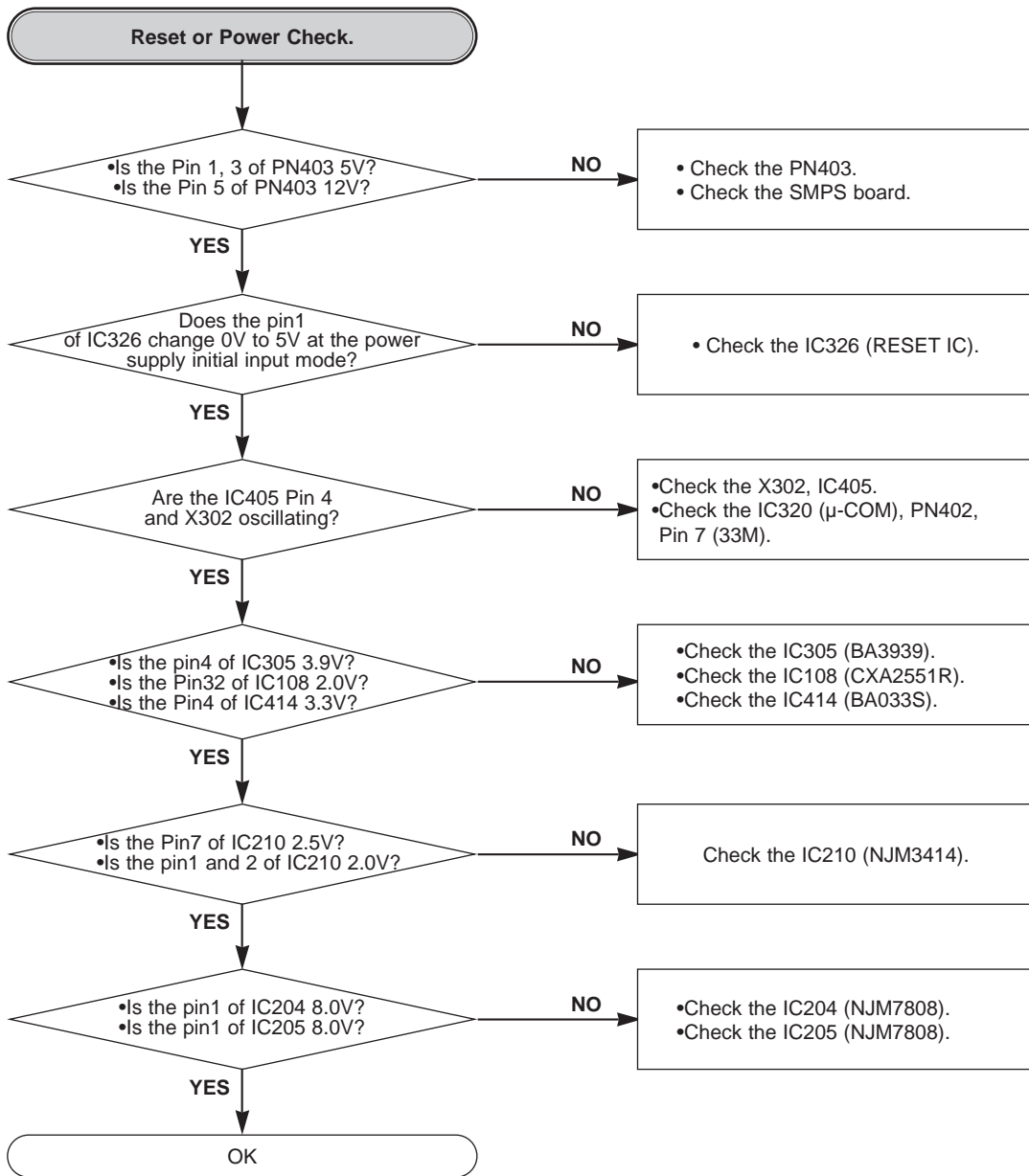


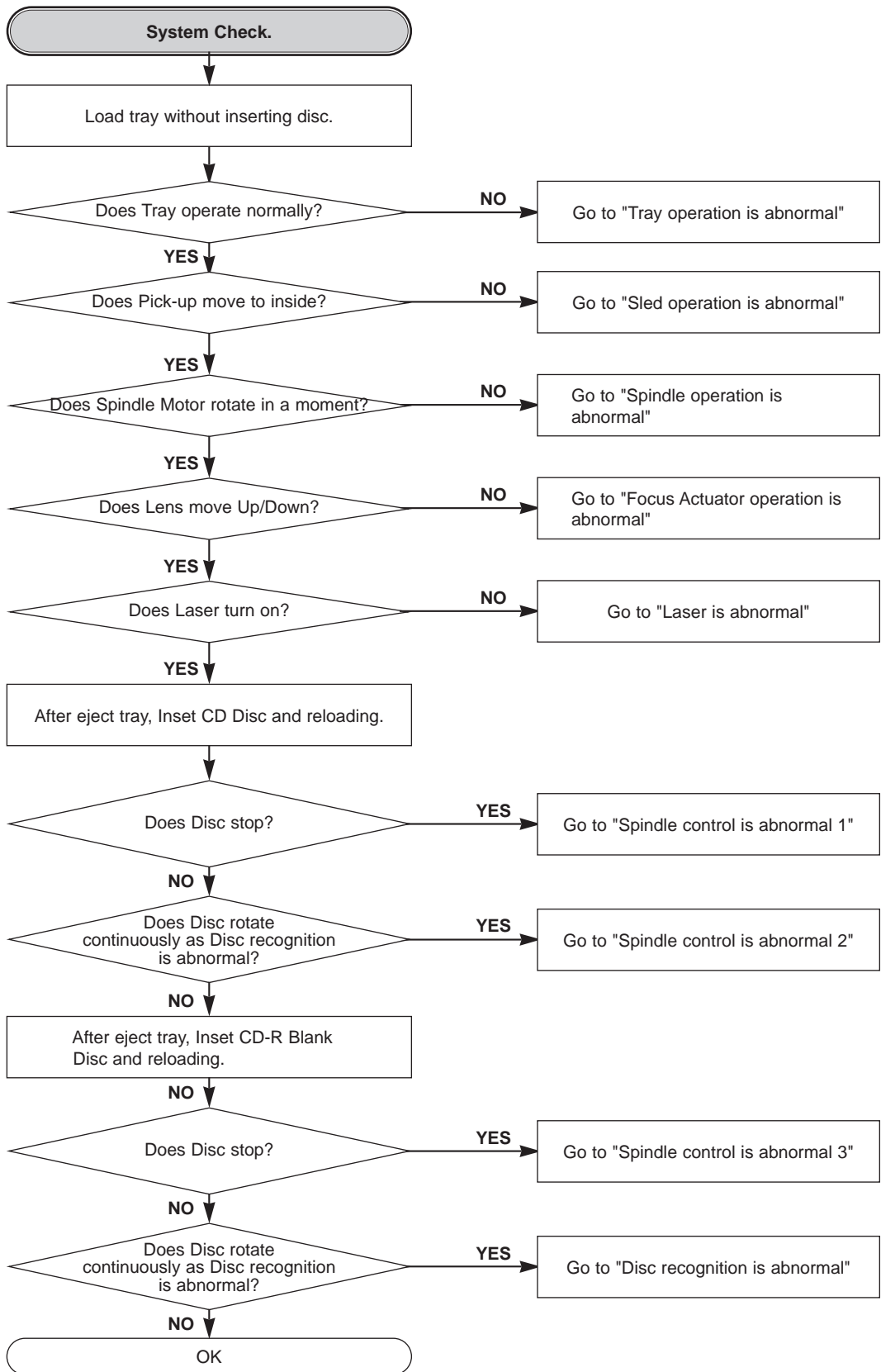
NO AUDIO (CDR JACK)

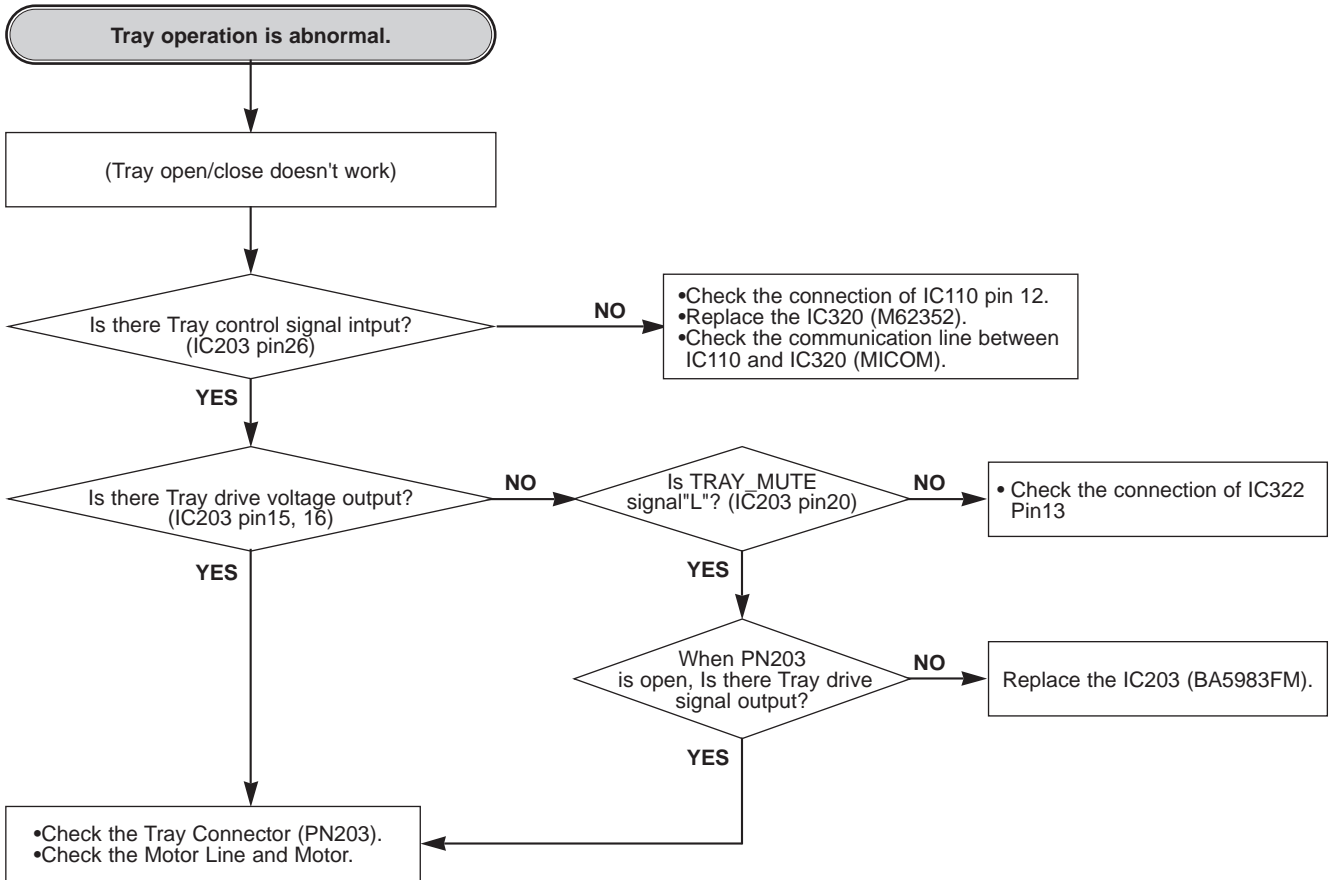
CURRENT DECK IS CDR

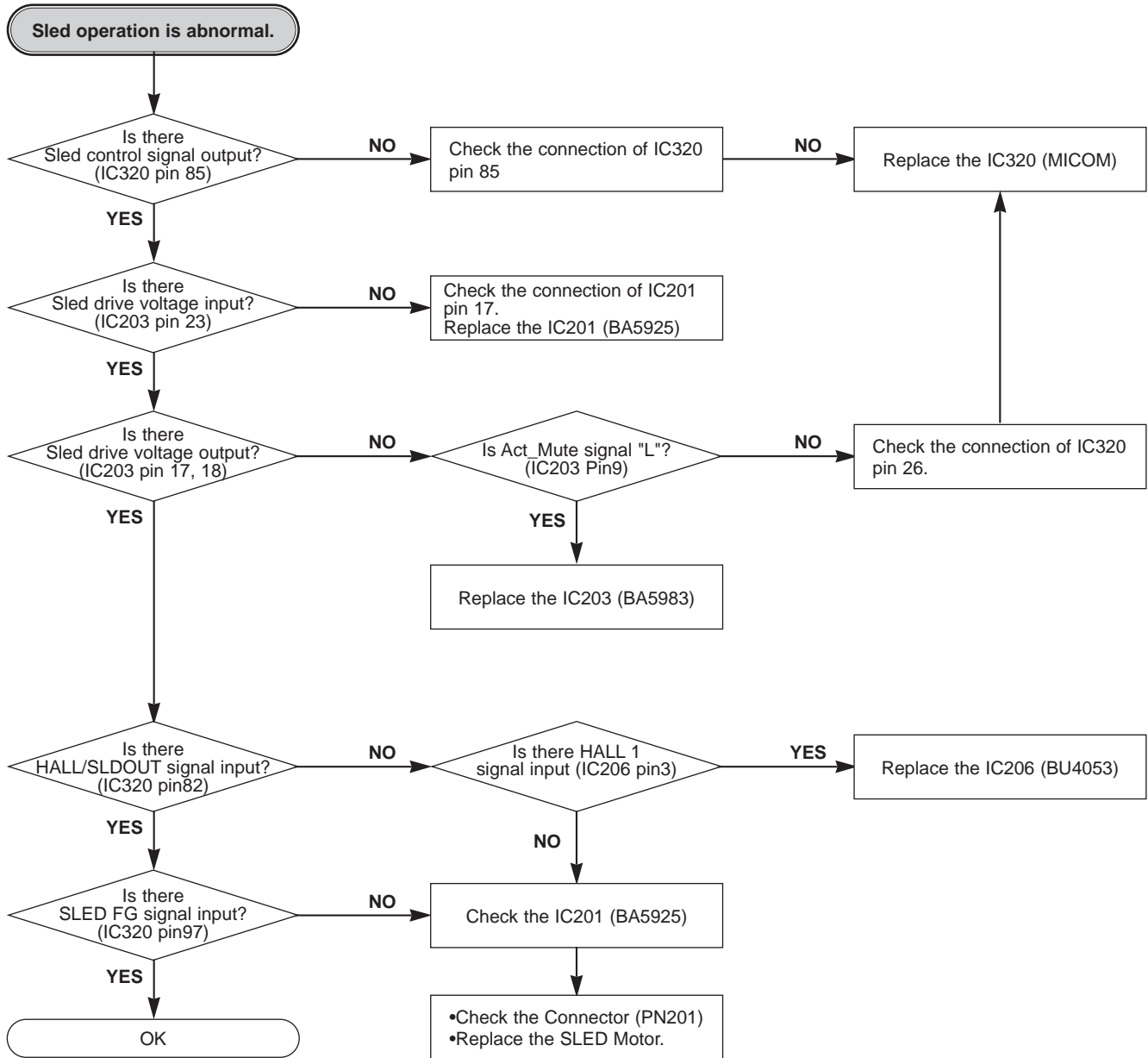


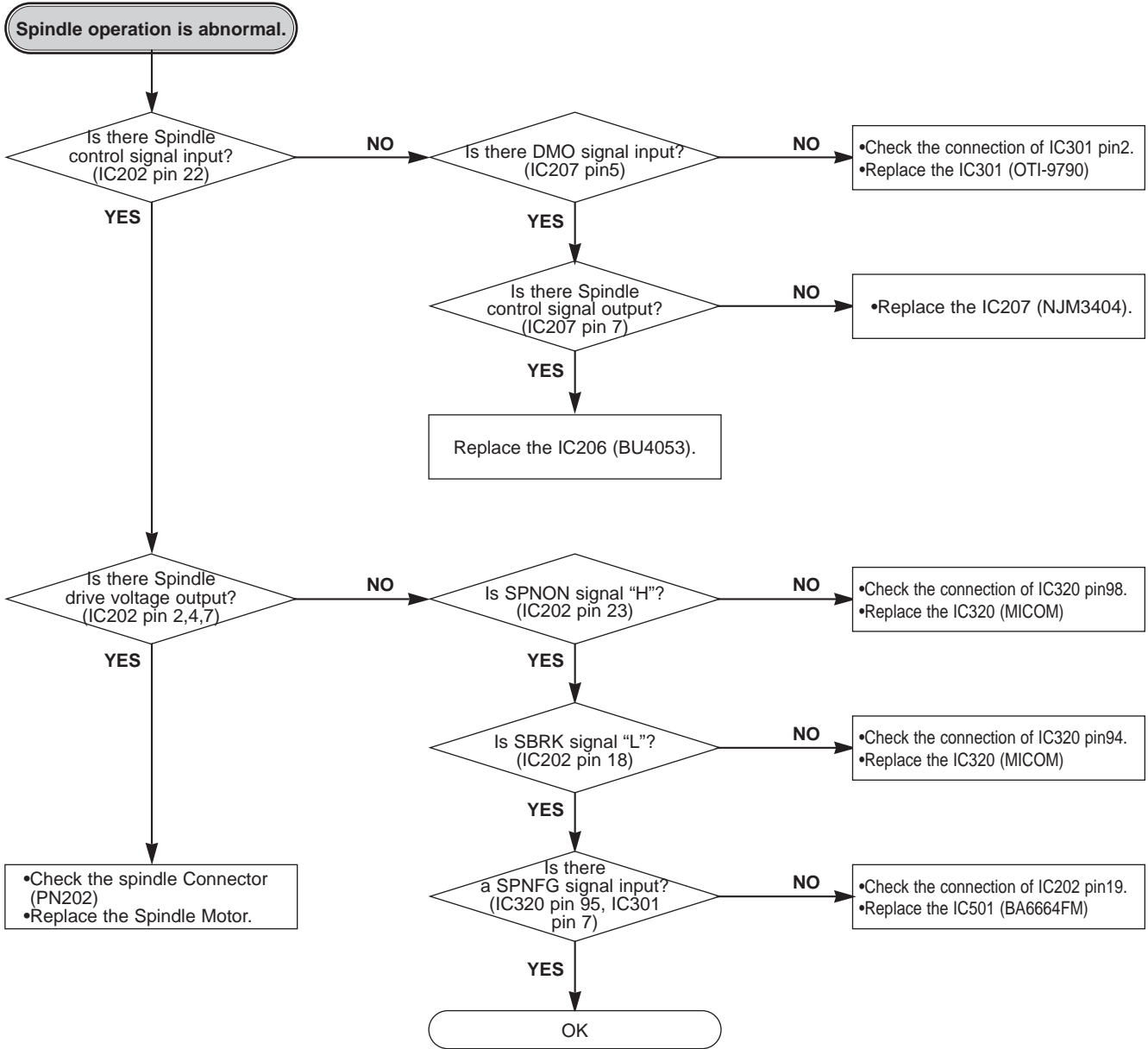
TROUBLESHOOTING GUIDE FOR CD-RW BOARD

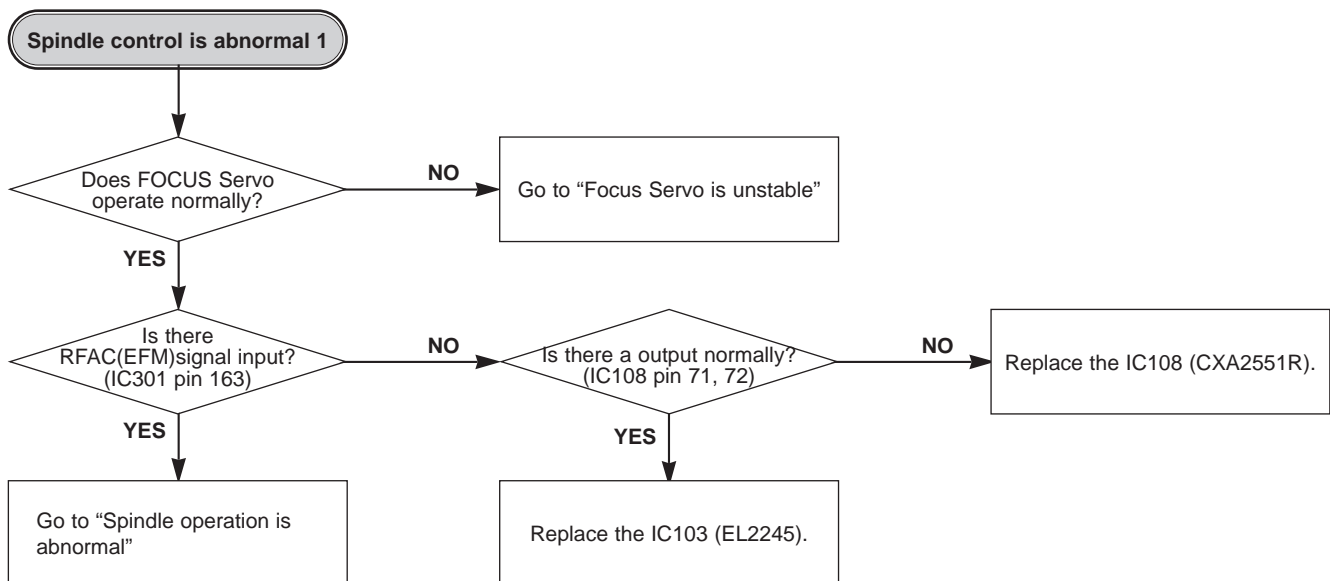
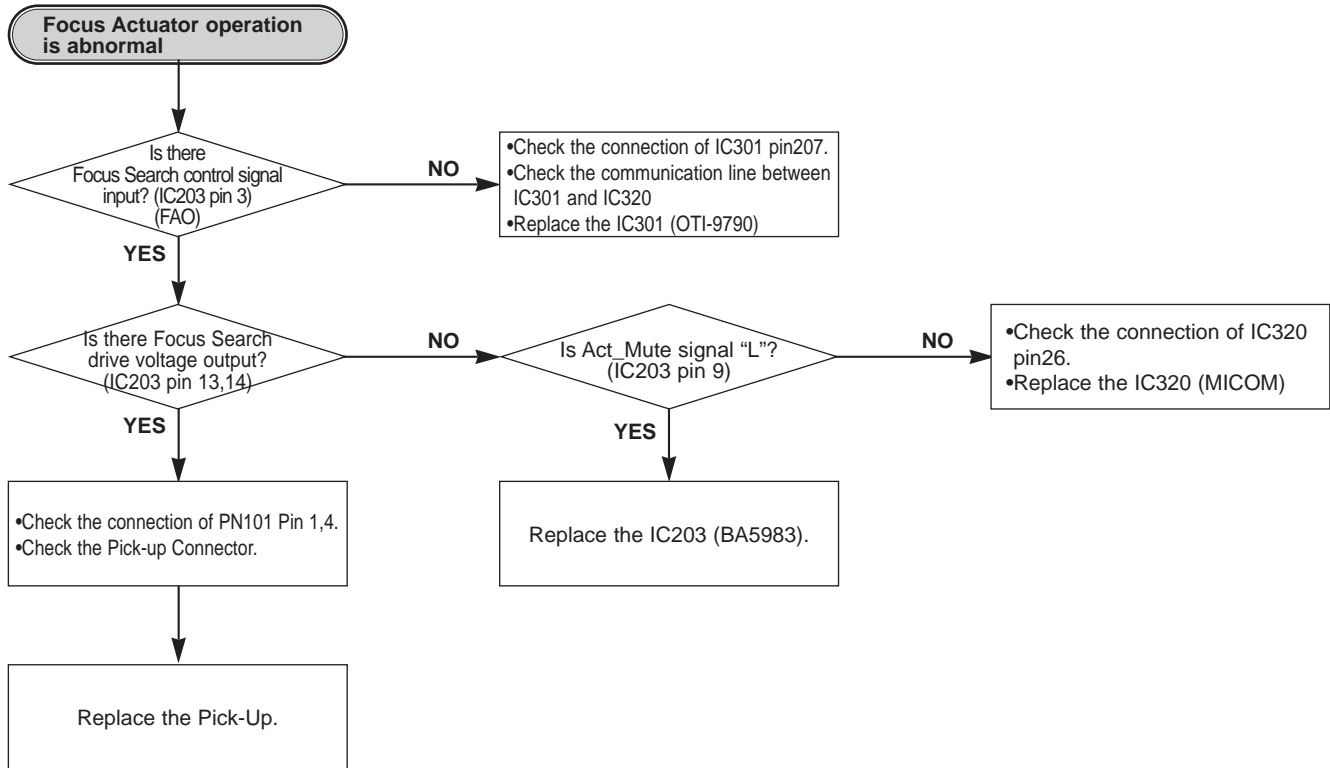


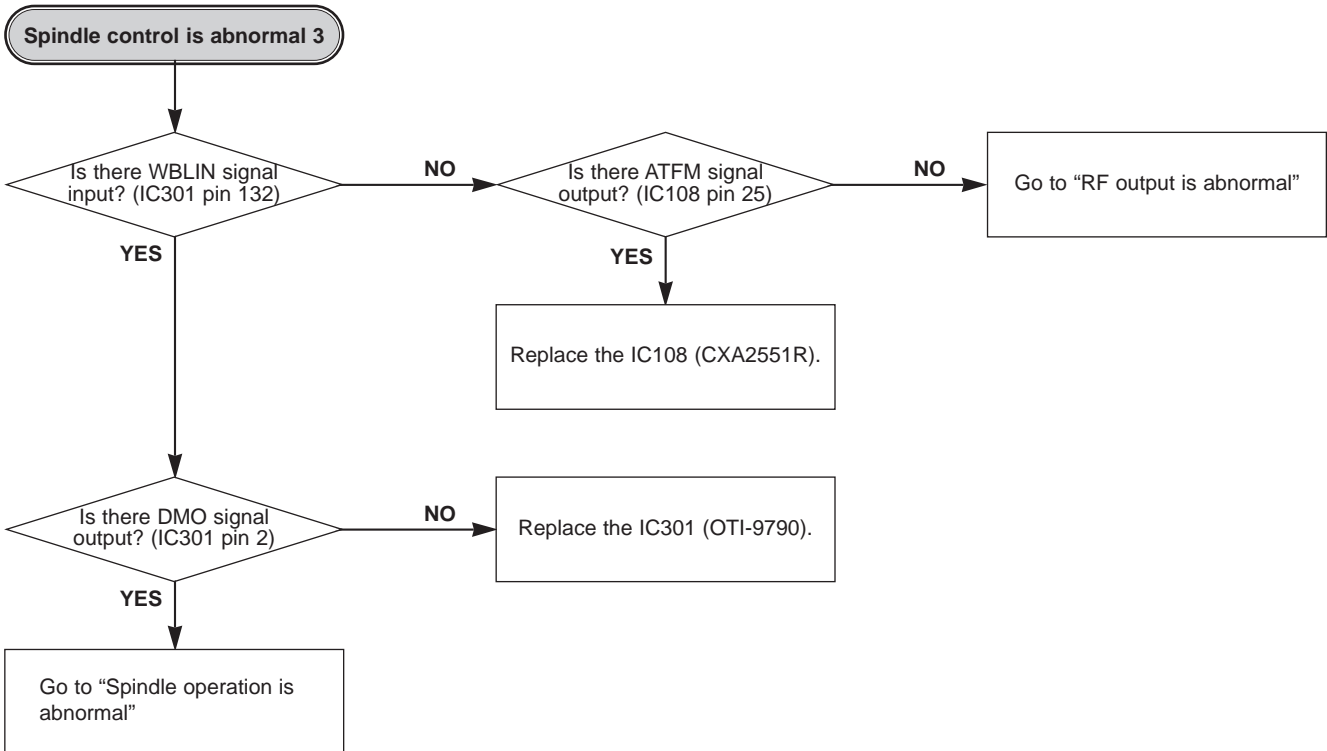
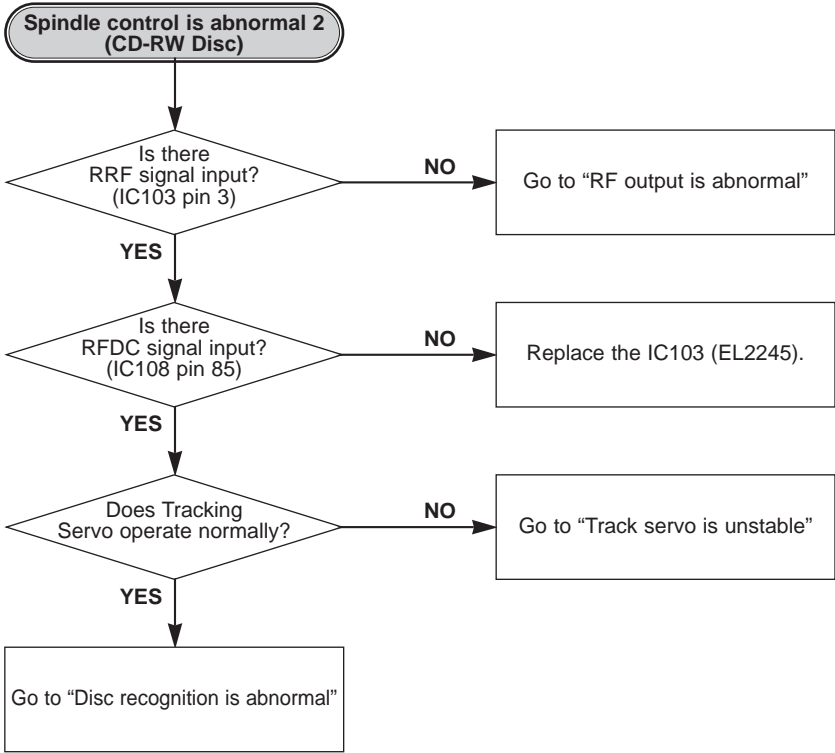


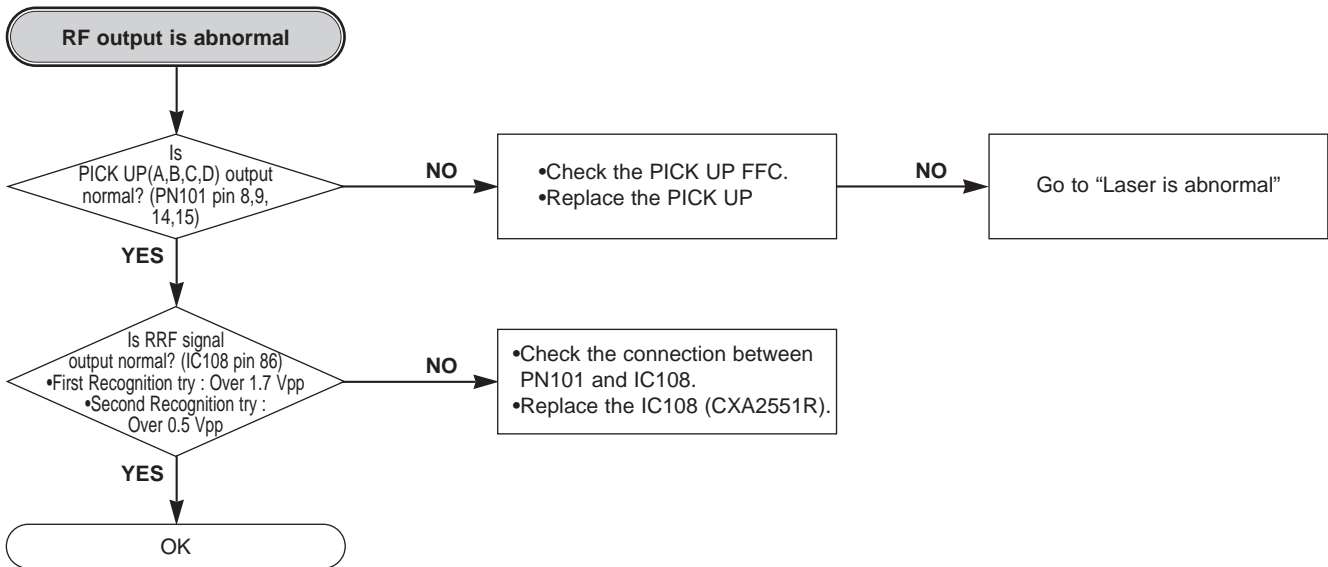
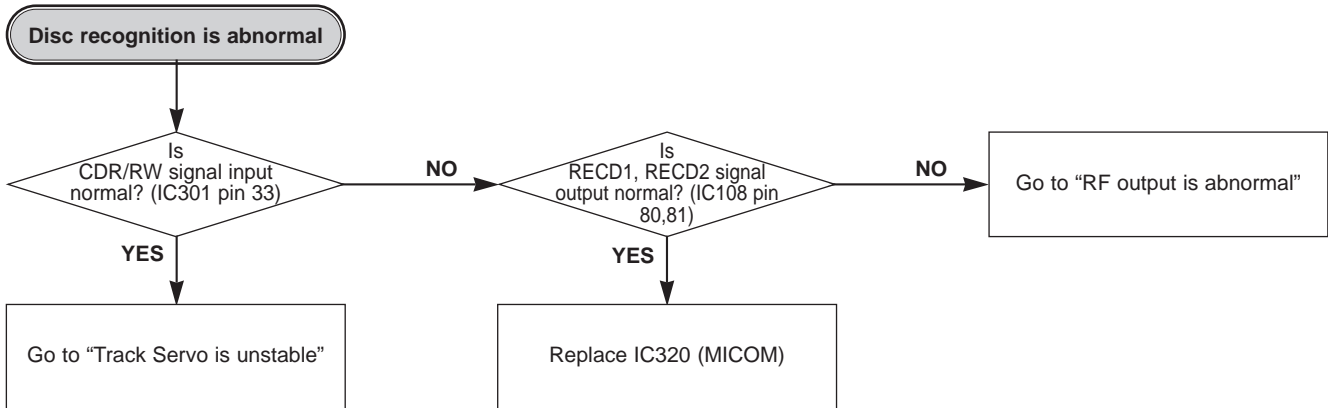


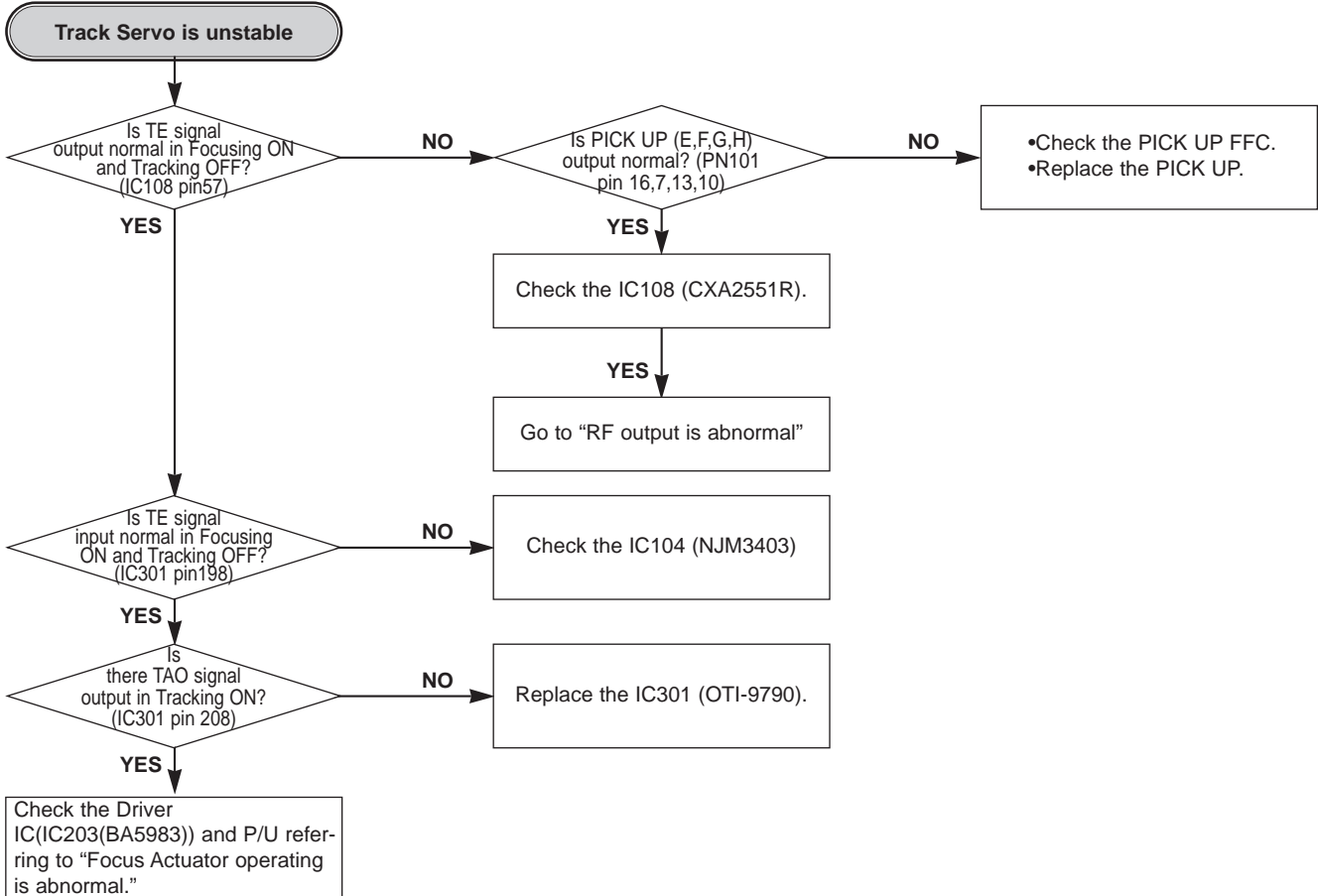
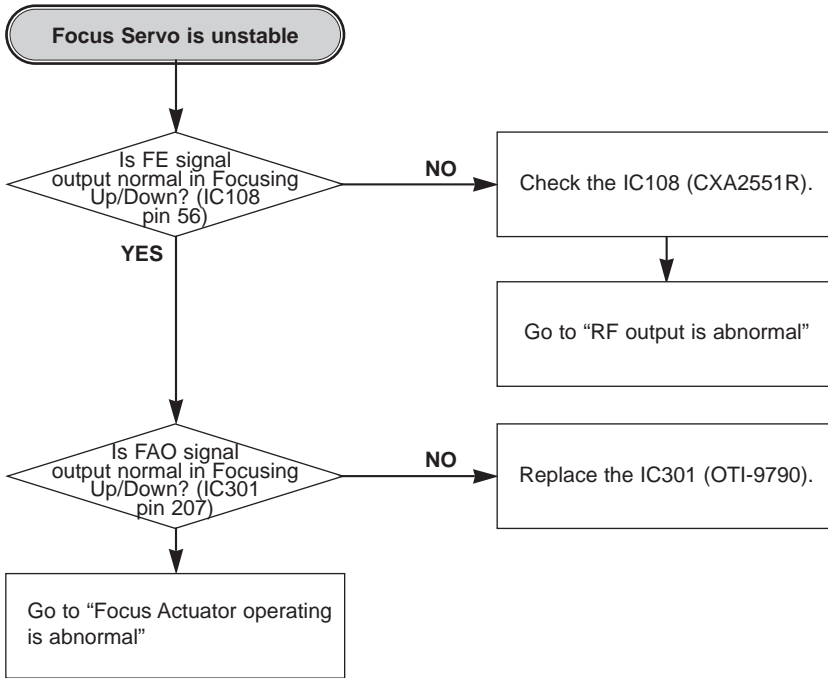


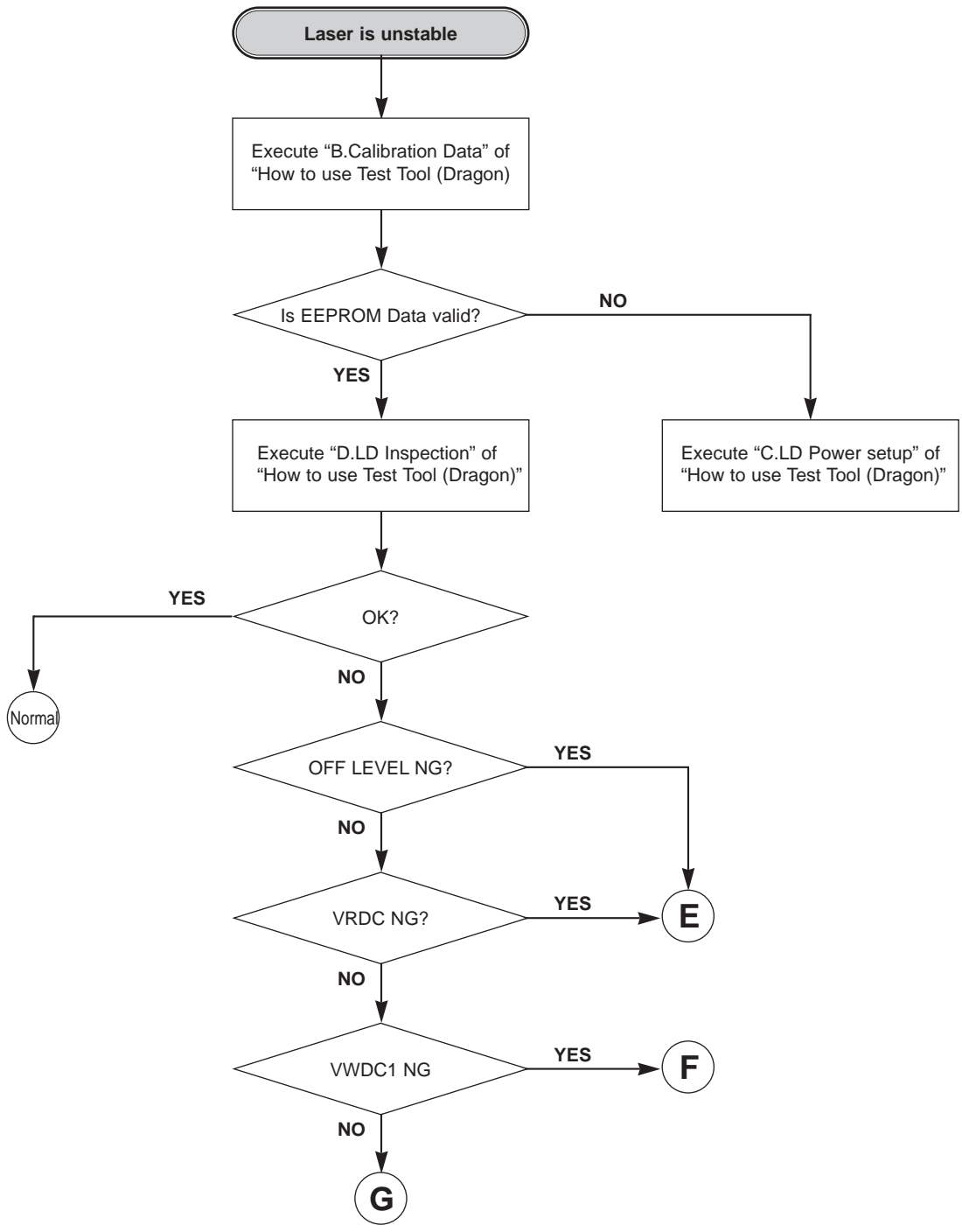




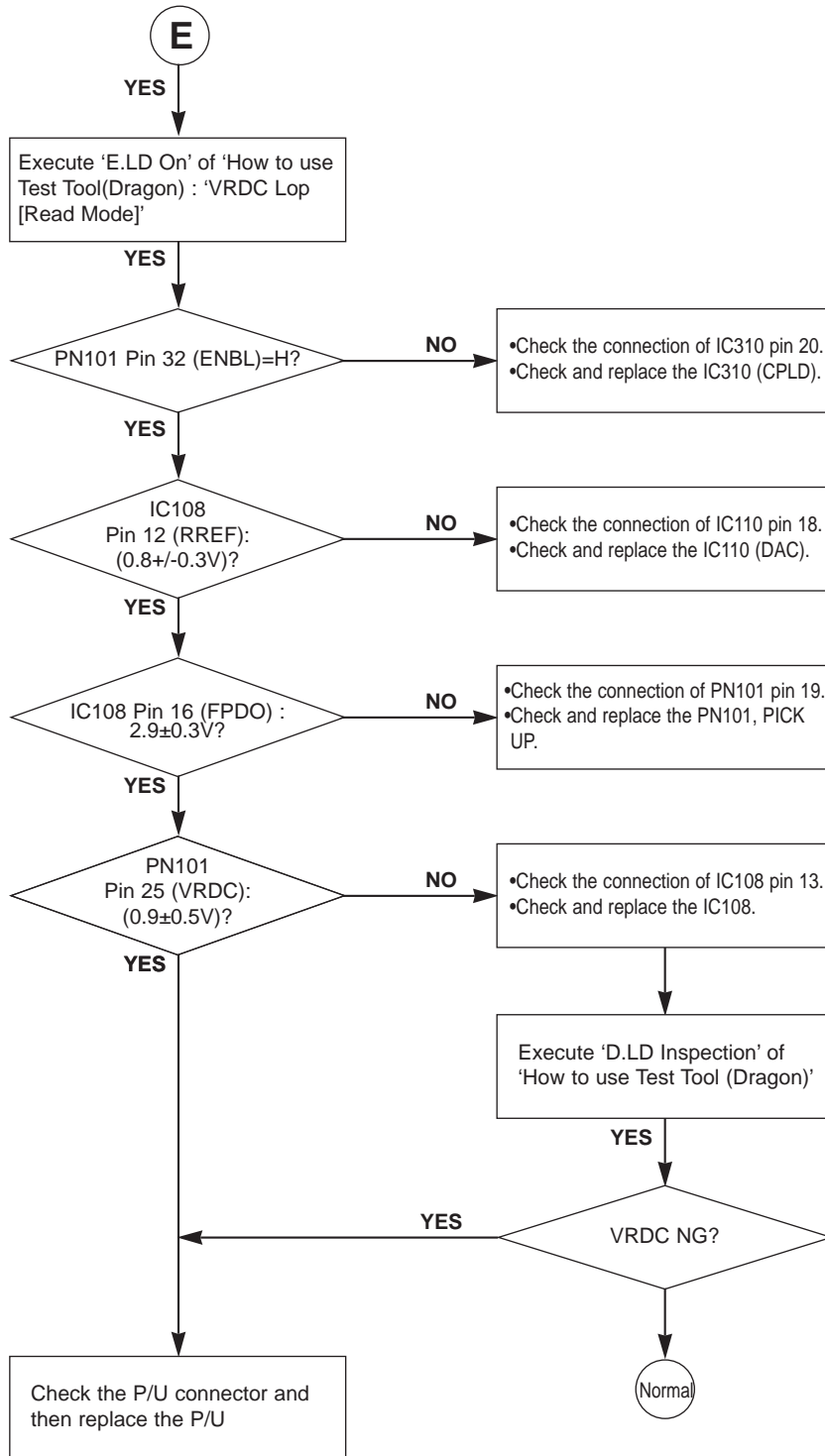




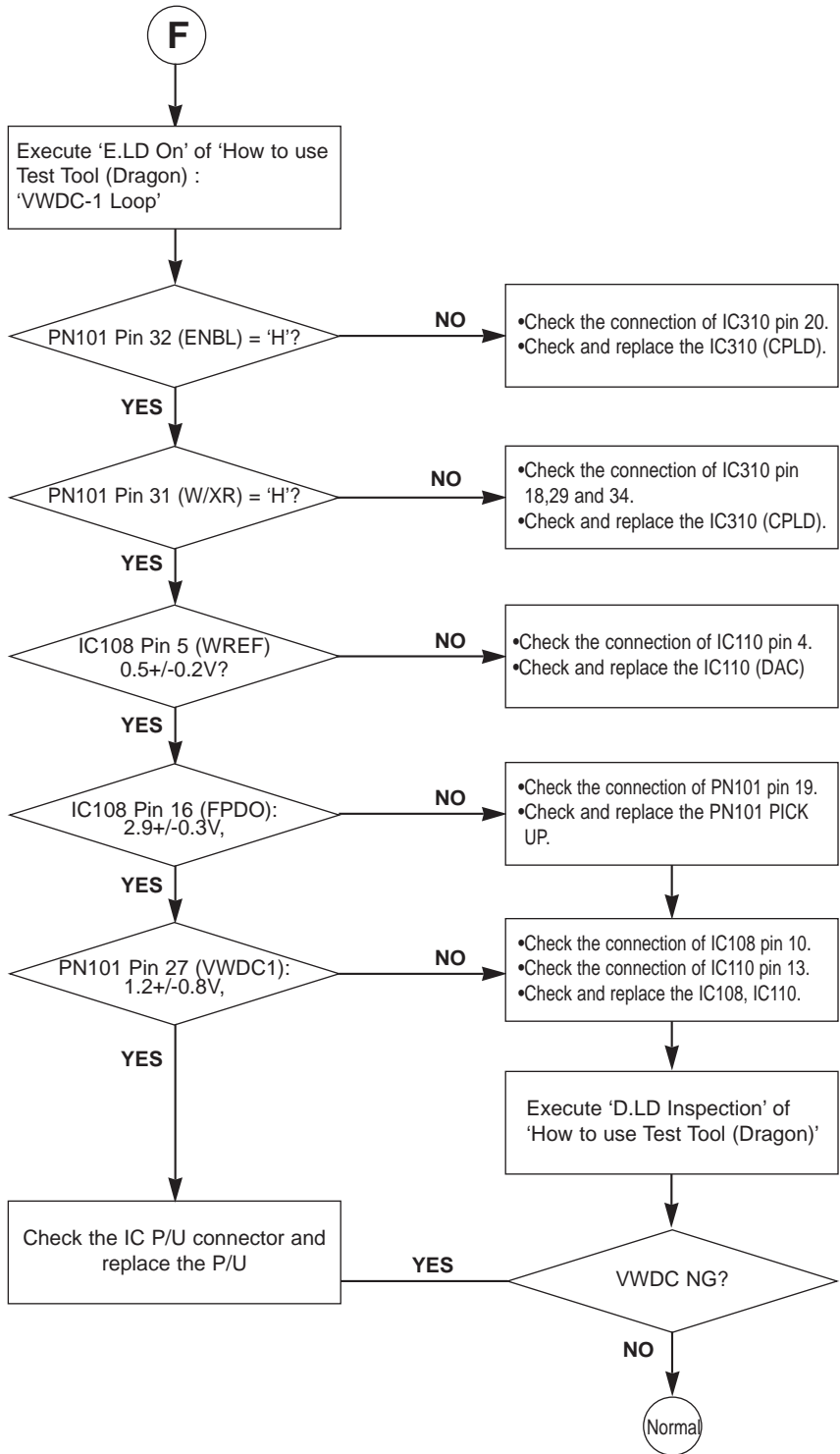


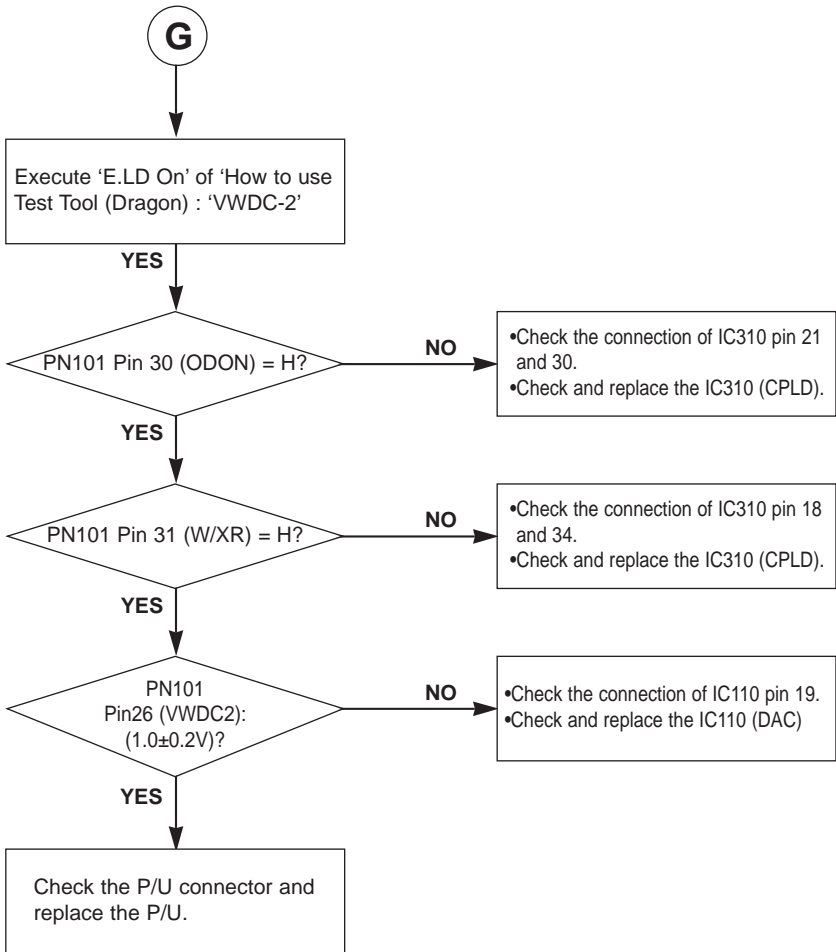


LD CHECK (Not Reading)

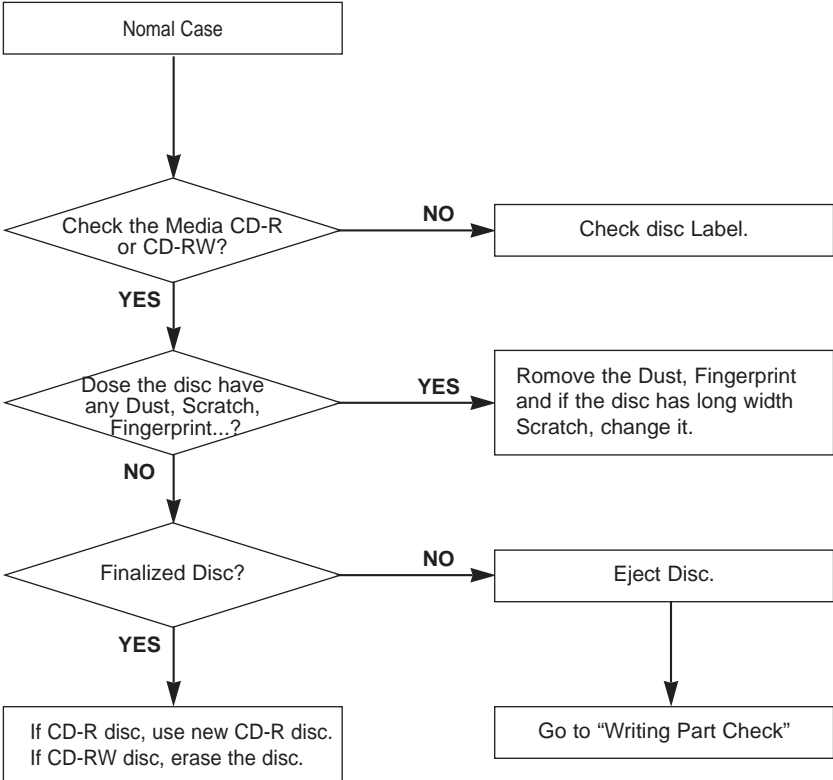


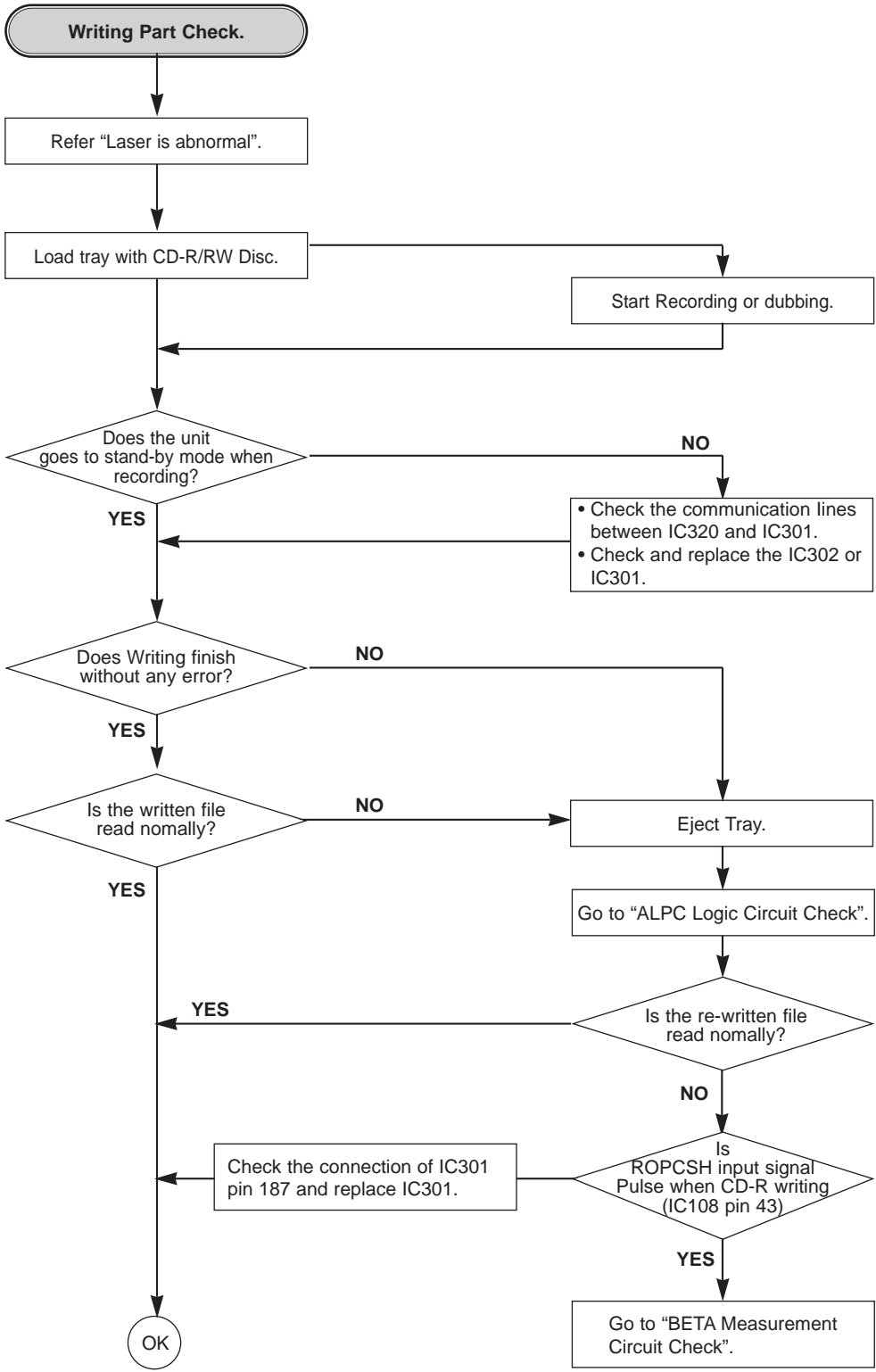
LD CHECK (Not Recording)

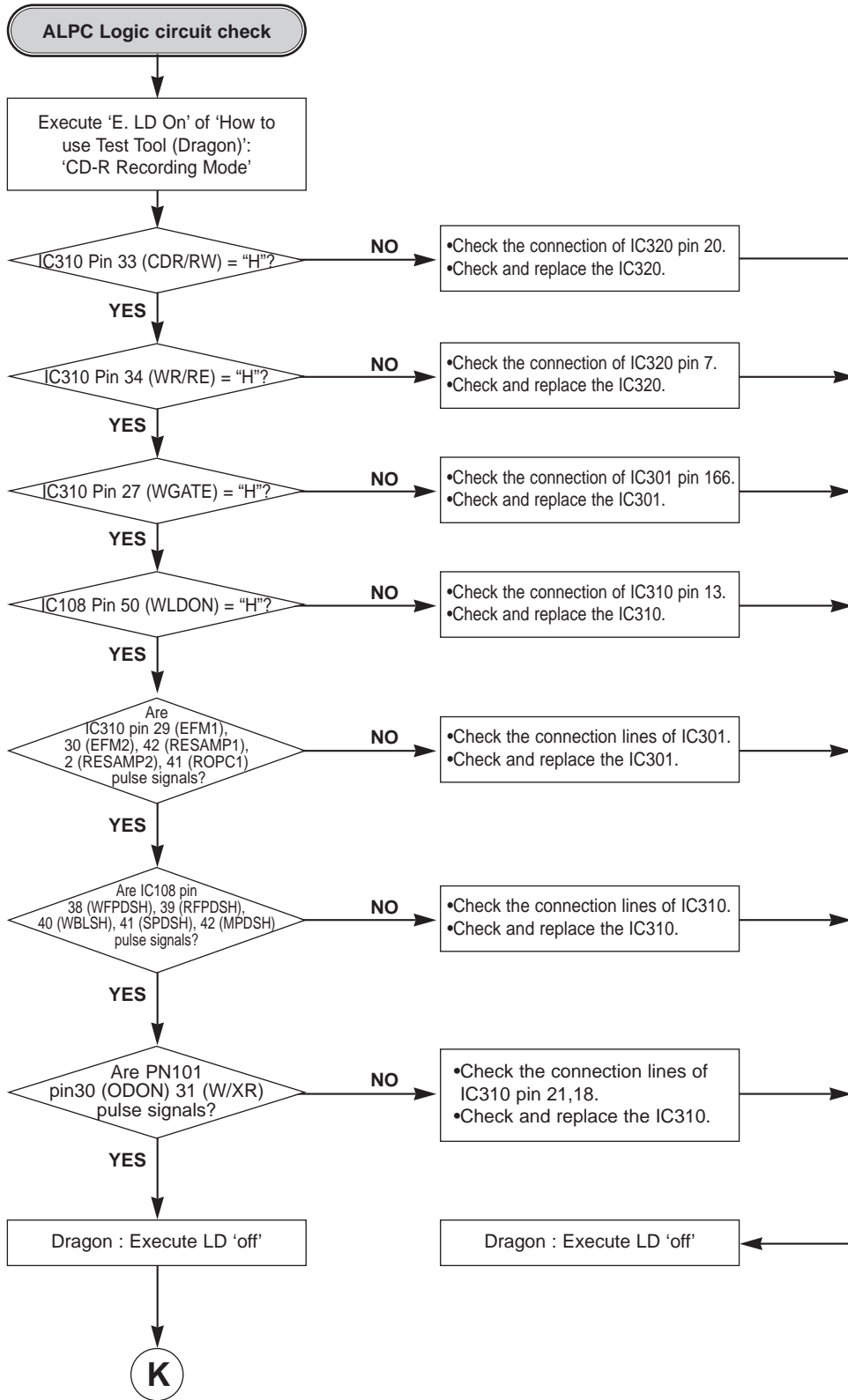


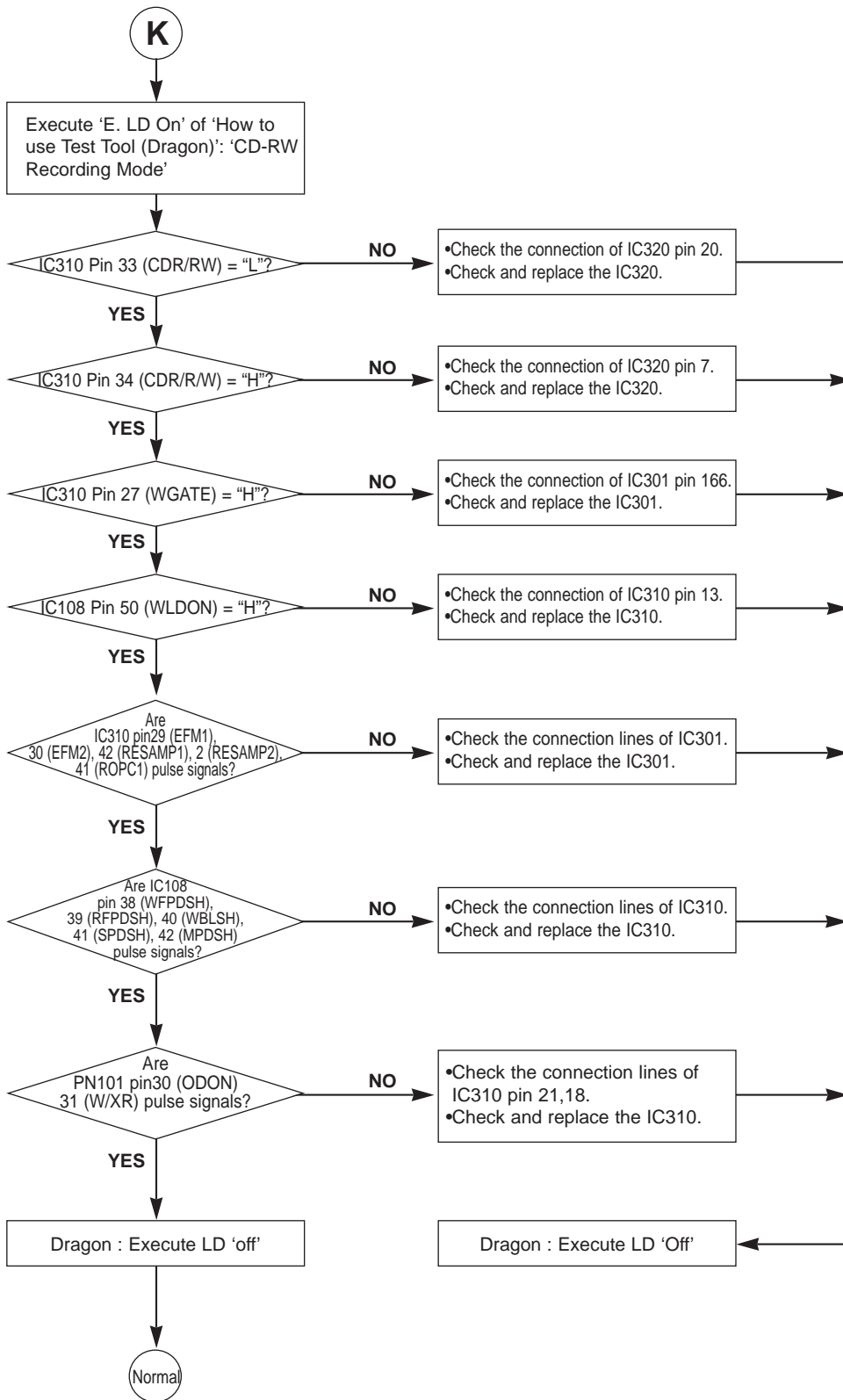


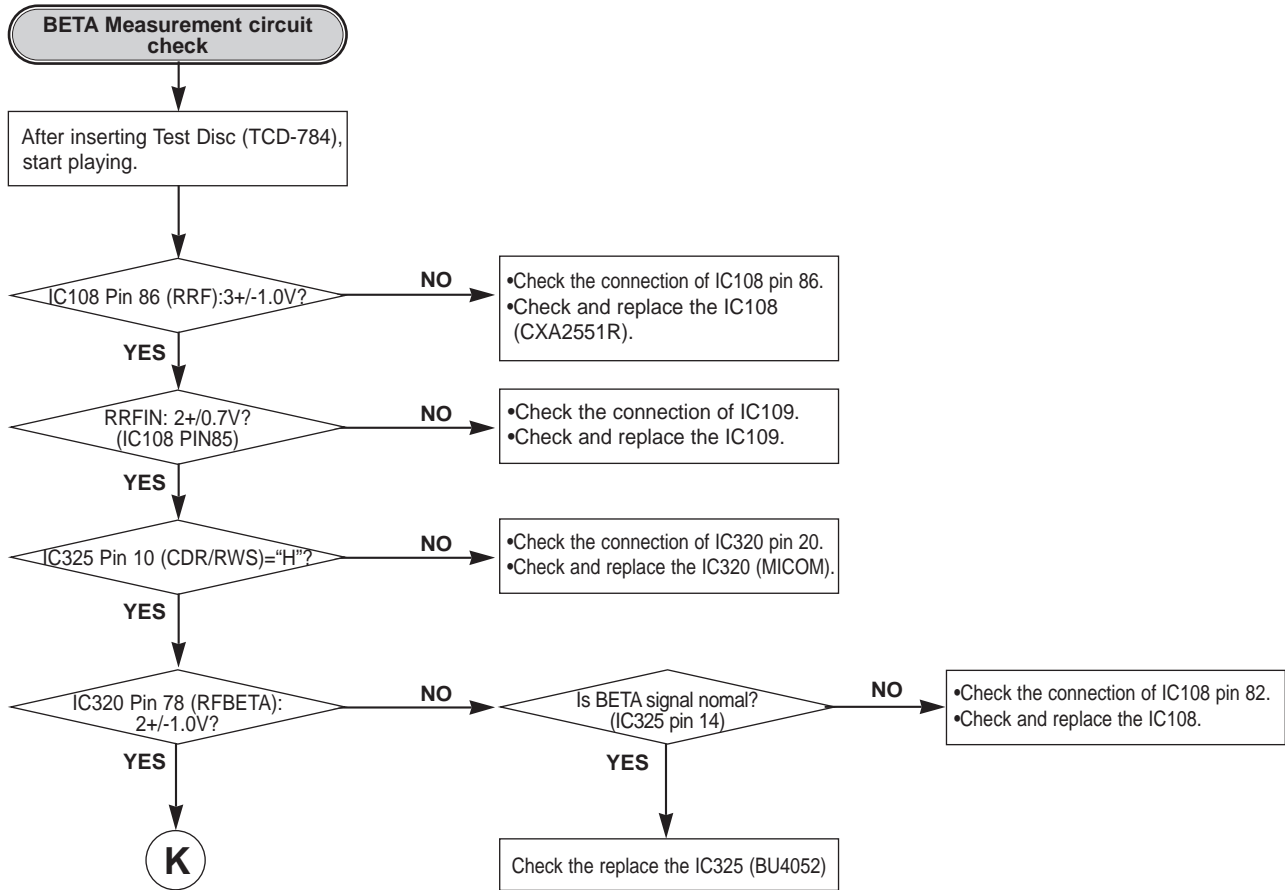
In case of writing fail.



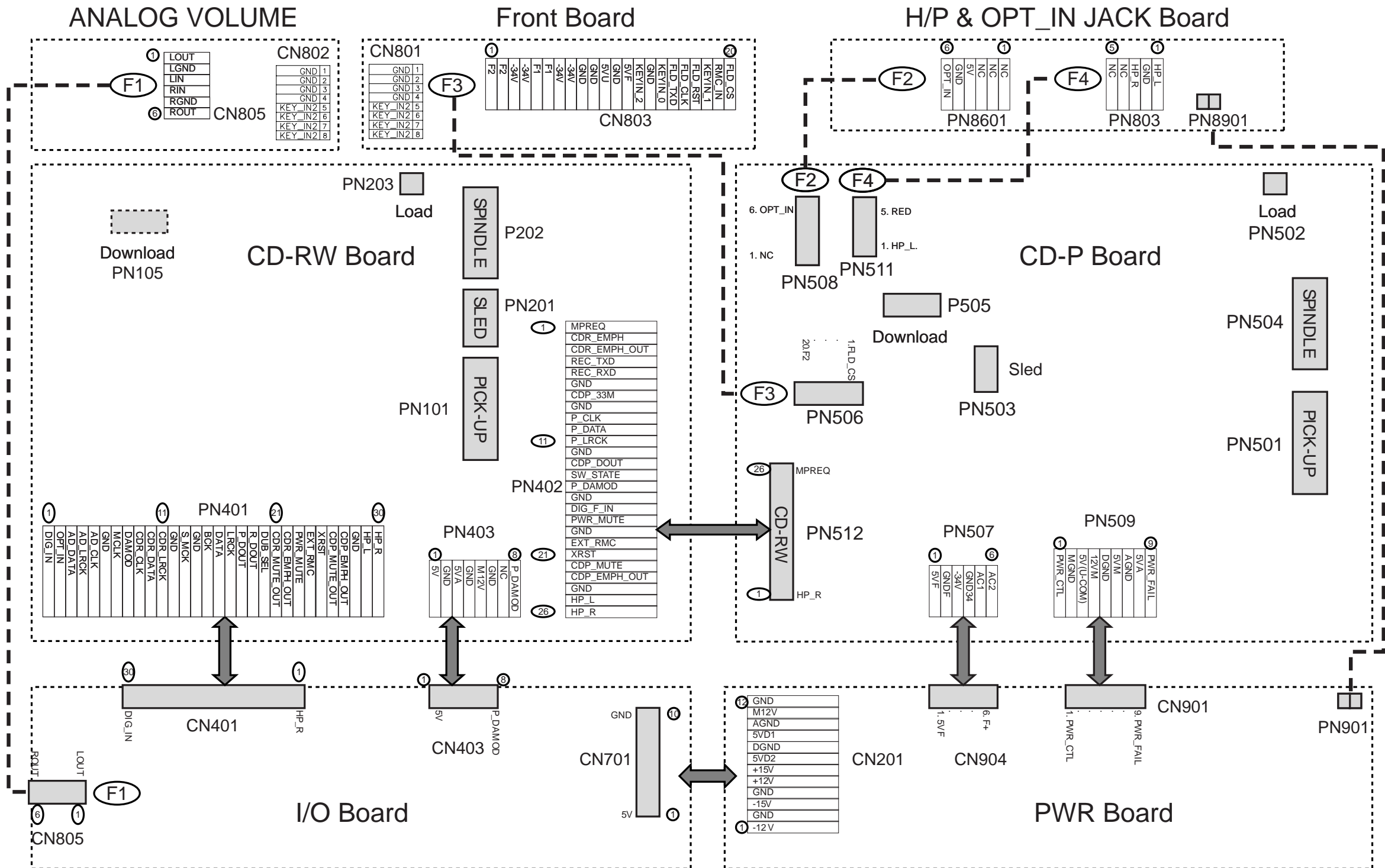




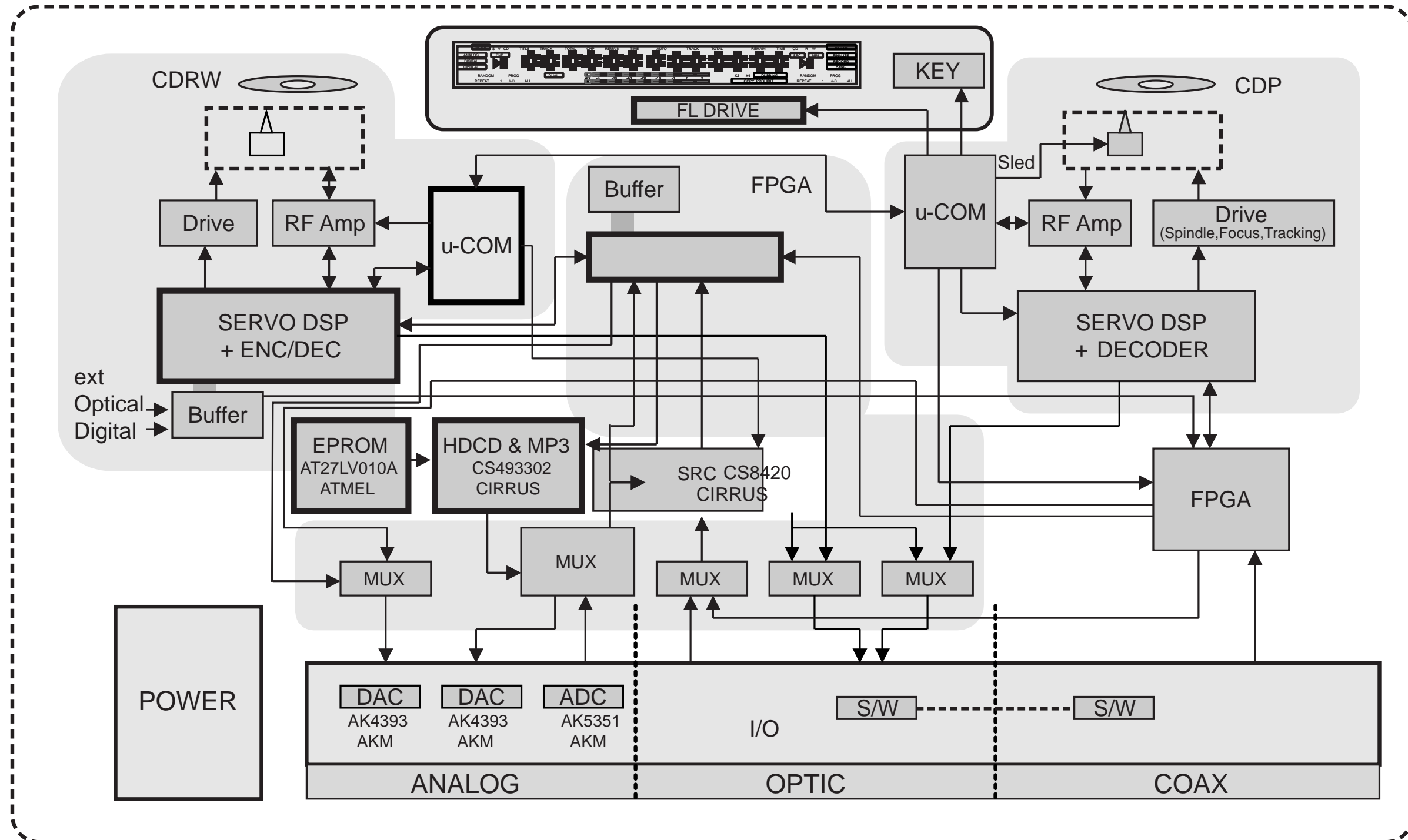




OVERALL WIRING DIAGRAM 1

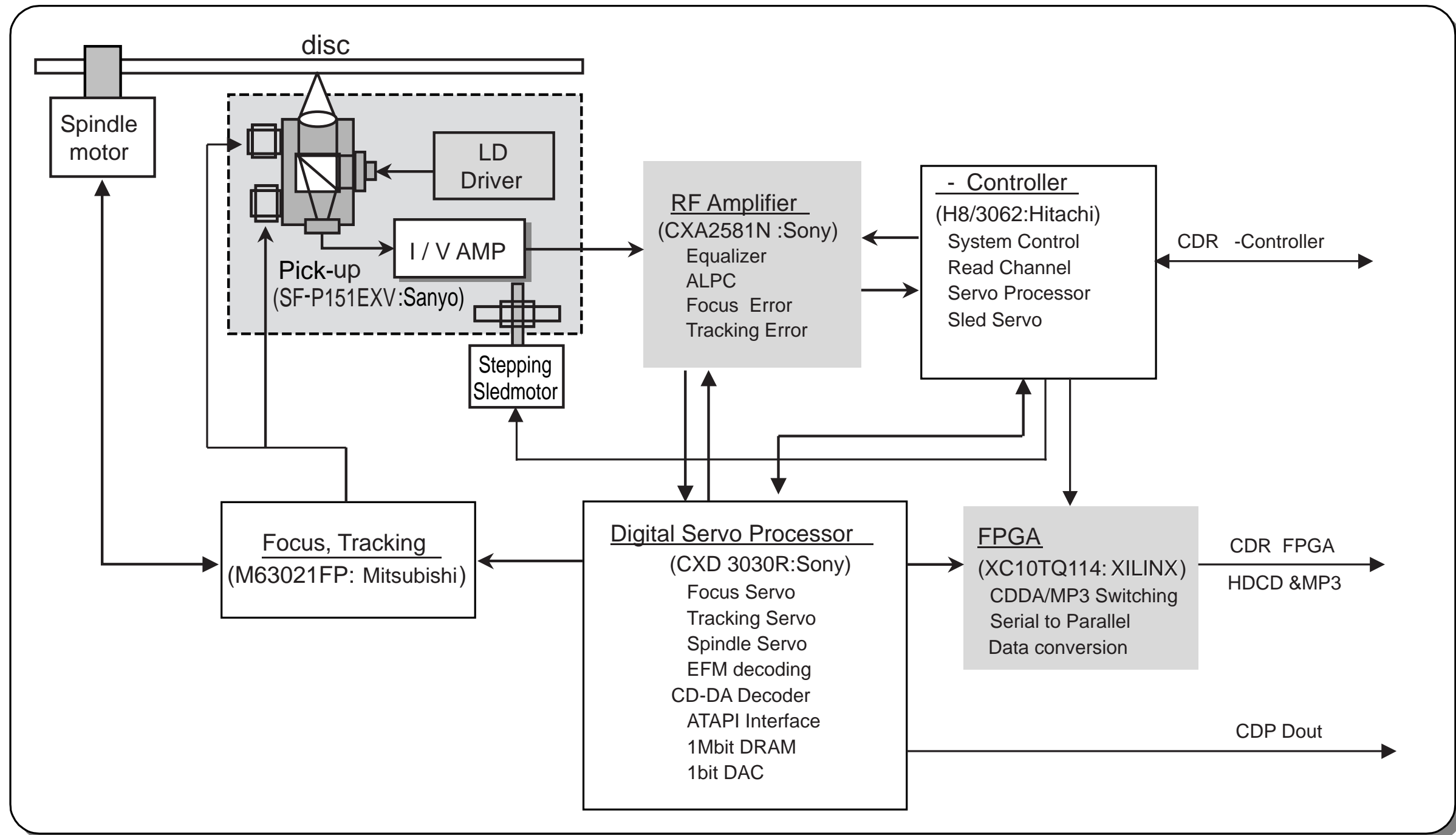


OVERALL BLOCK DIAGRAM

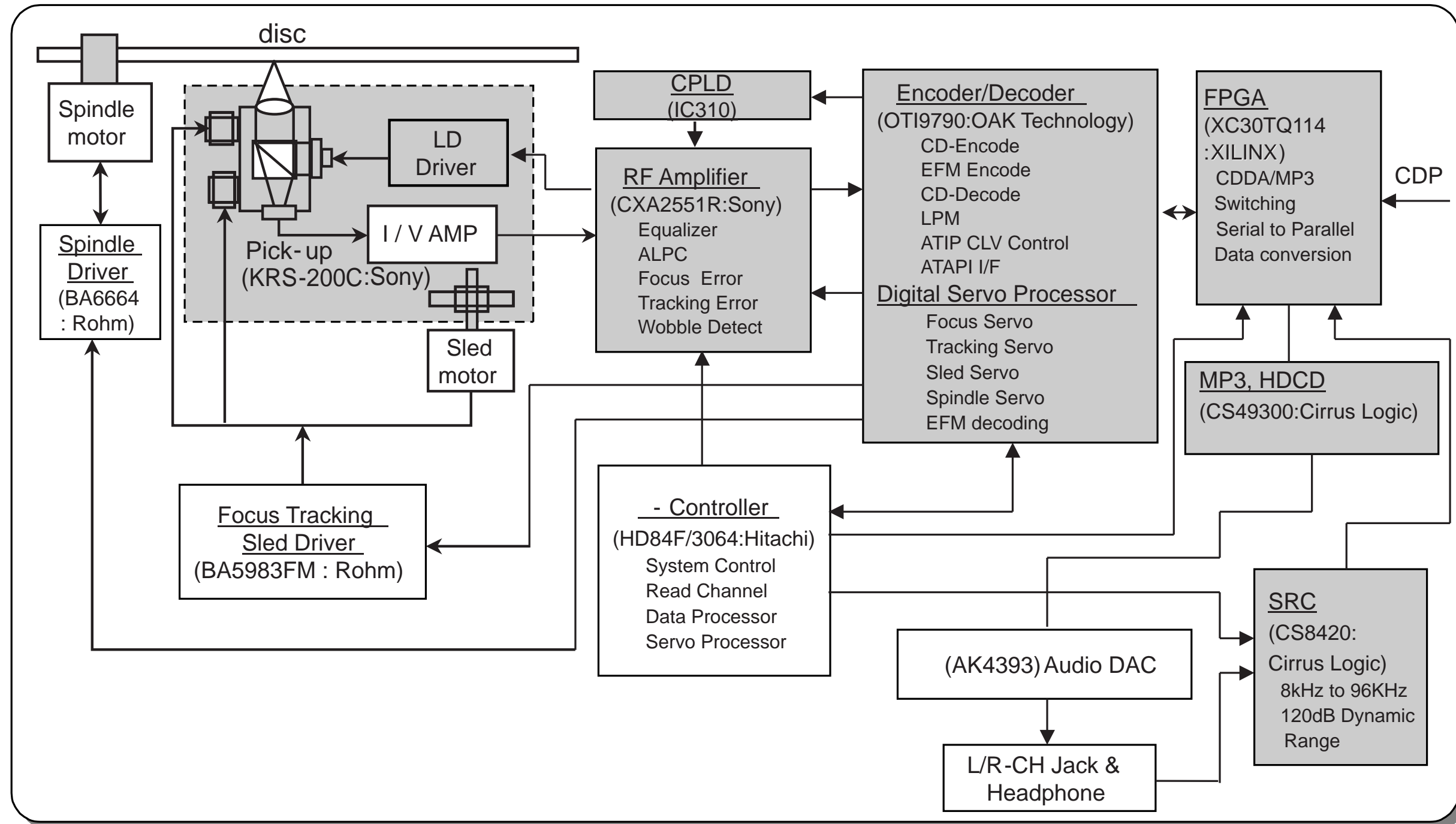


BLOCK DIAGRAMS

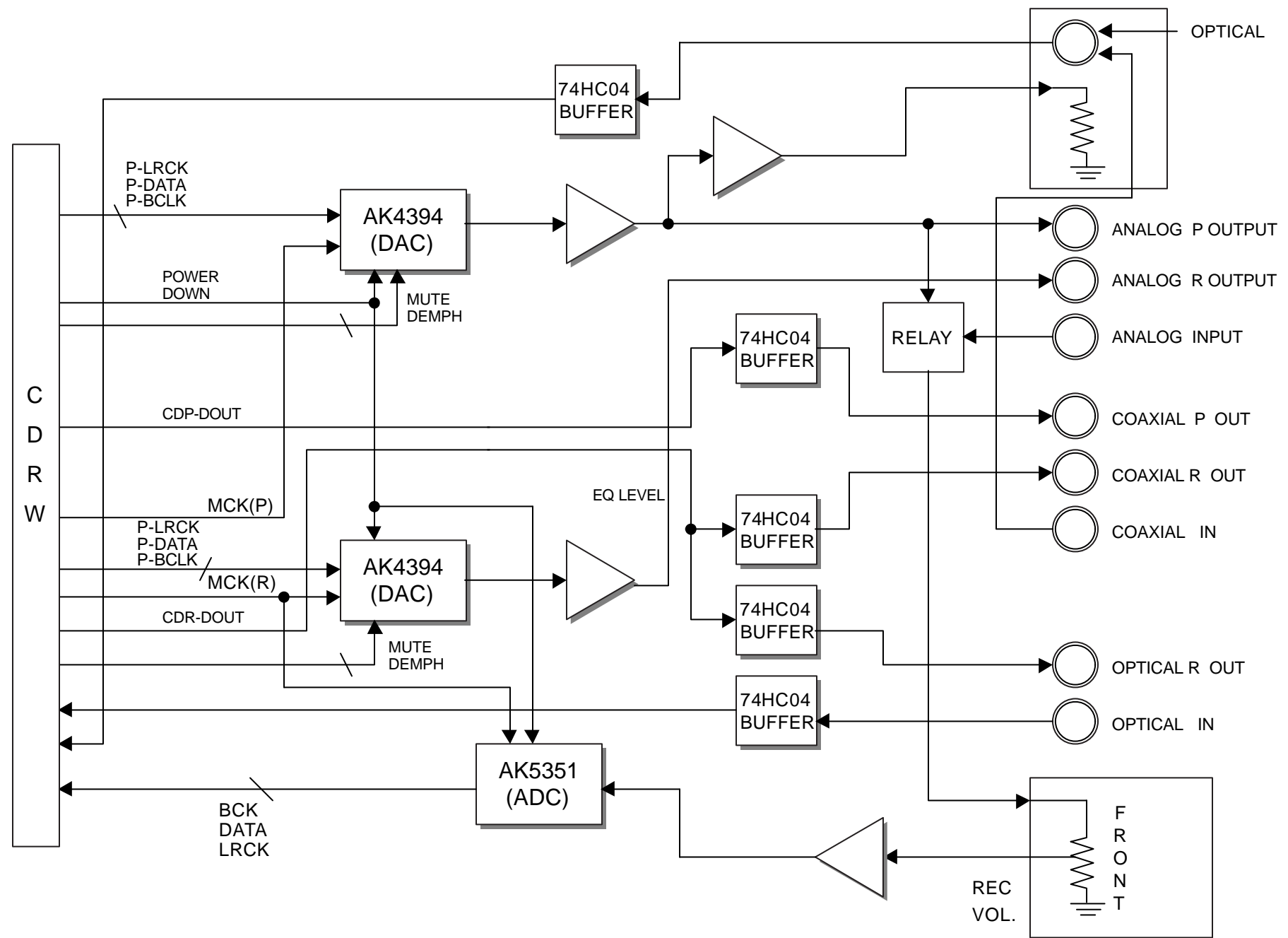
1. CD-Play Block Diagram



2. CD-Record Block Diagram

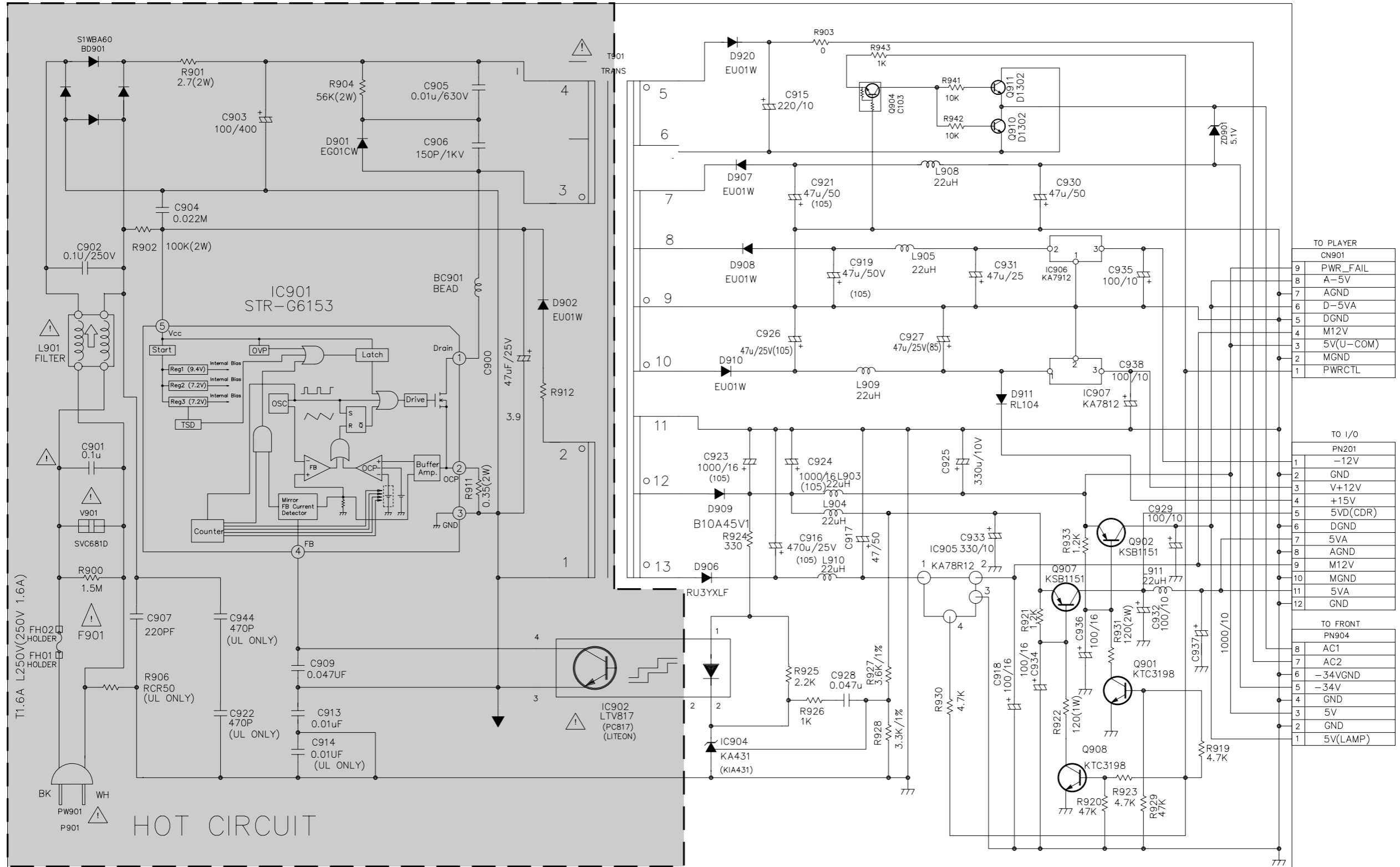


3. I/O Block Diagram



CIRCUIT DIAGRAMS

1. POWER (SMPS) CIRCUIT DIAGRAM (UL)



TO PLAYER

9	PWR_FAIL
8	A-5V
7	AGND
6	D-5VA
5	DGND
4	M12V
3	5V(U-COM)
2	MGND
1	PWRCTL

TO I/O

1	PN201
2	-12V
3	GND
4	V+12V
5	5VD(CDR)
6	DGND
7	5VA
8	AGND
9	M12V
10	MGND
11	5VA
12	GND

TO FRONT

8	AC1
7	AC2
6	-34VGND
5	-34V
4	GND
3	5V
2	GND
1	5V(LAMP)

NOTES: ⚠ Warning Parts that are shaded are critical With respect to risk of fire or electrical shock.

NOTES: ⚡ Symbol denotes AC ground.

NOTES: ⚡ Symbol denotes DC chassis ground.

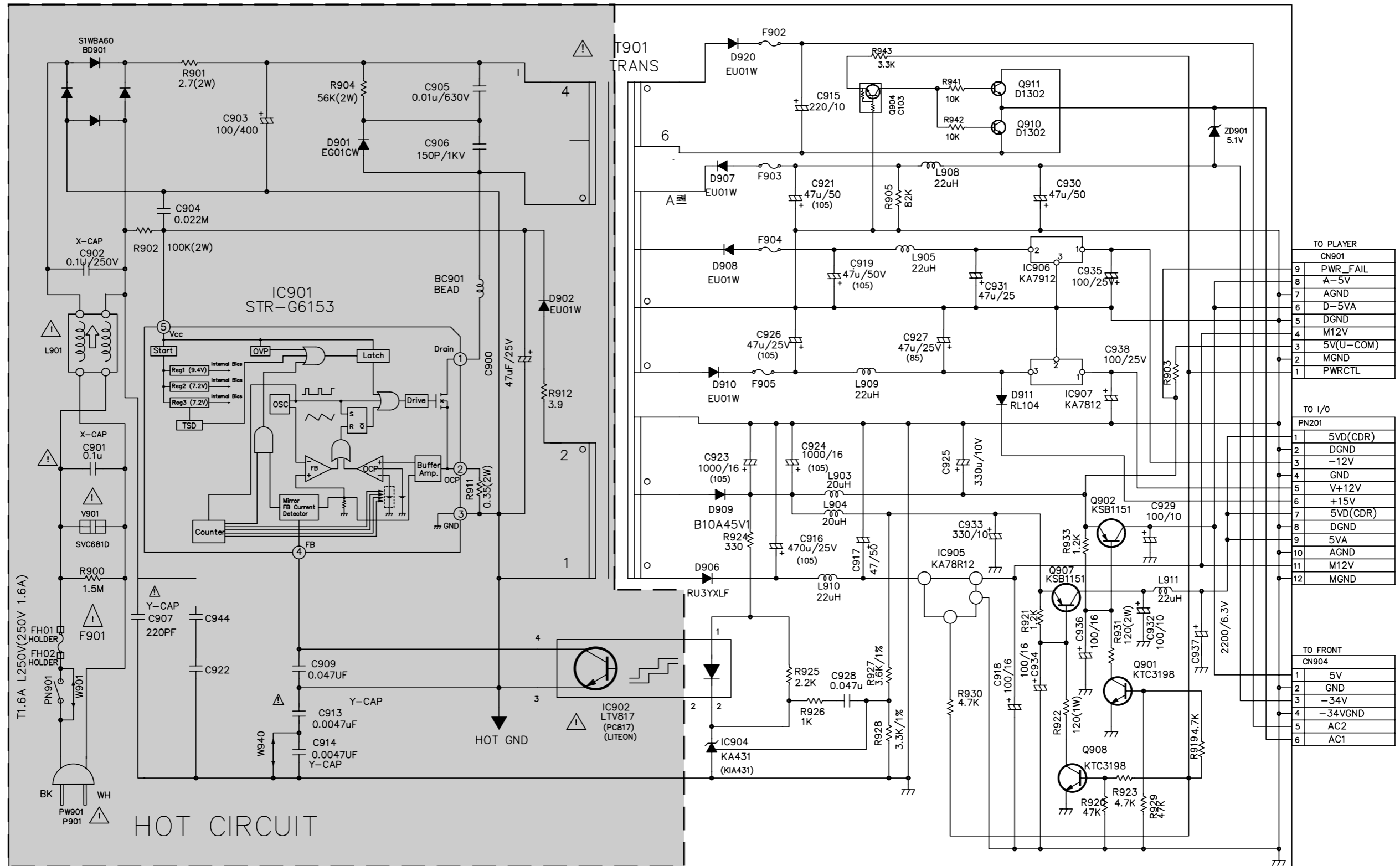
NOTE:

1. Shaded(■) parts are critical for safety. Replace only with specified part number.
2. Voltages are DC-measured with a digital voltmeter during Play mode.

'00. 11.10
SI2448(UL)

CIRCUIT DIAGRAMS

1. POWER (SMPS) CIRCUIT DIAGRAM (EUROPE)

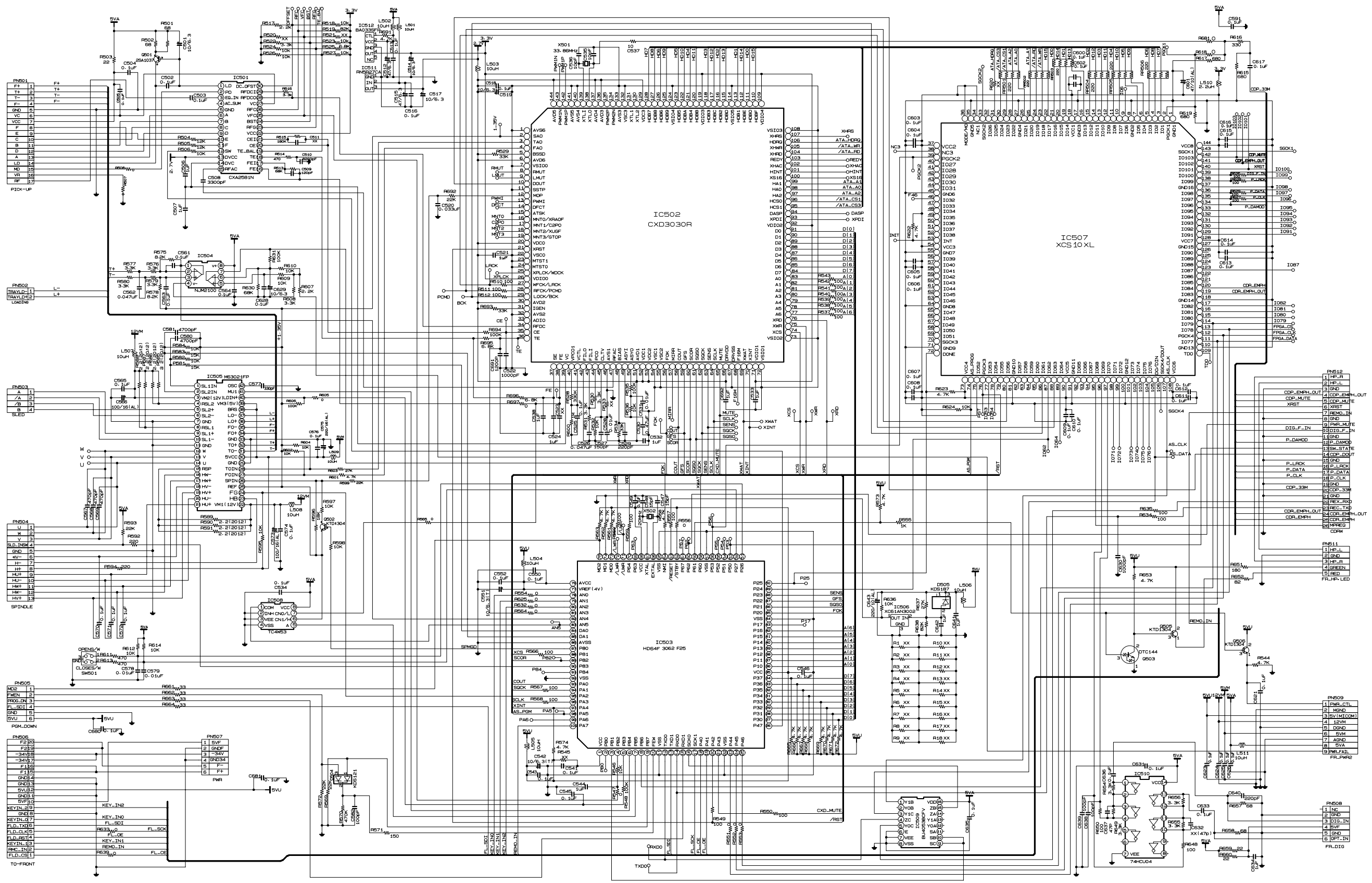


NOTES: Warning Parts that are shaded are critical With respect to risk of fire or electrical shock. Symbol denotes AC ground. Symbol denotes DC chassis ground.

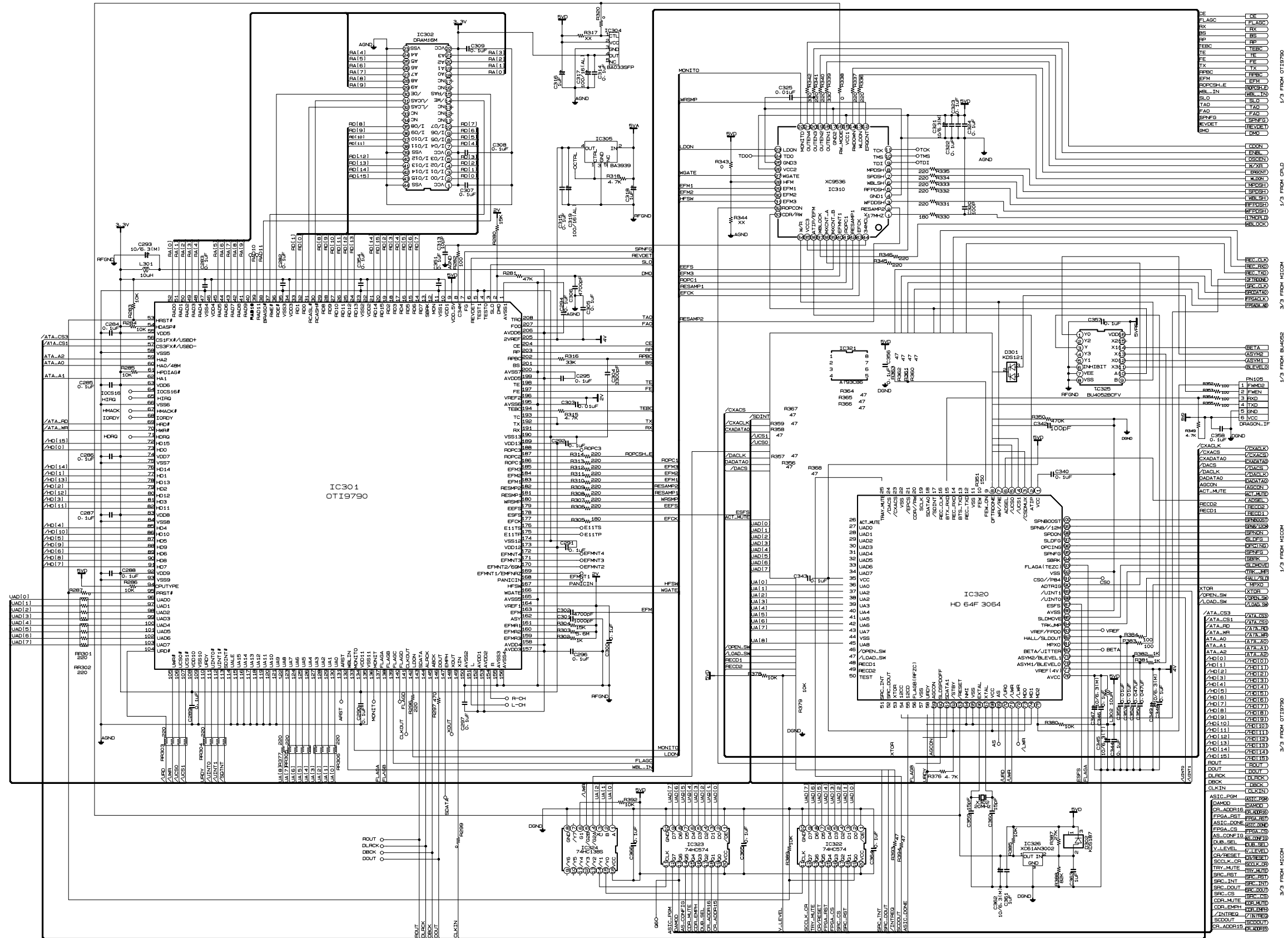
NOTE :
 1. Shaded(■) parts are critical for safety. Replace only with specified part number.
 2. Voltages are DC-measured with a digital voltmeter during Play mode.

'00. 11. 10
 SI2674(EUROPE)

2. CD-PLAY CIRCUIT DIAGRAM

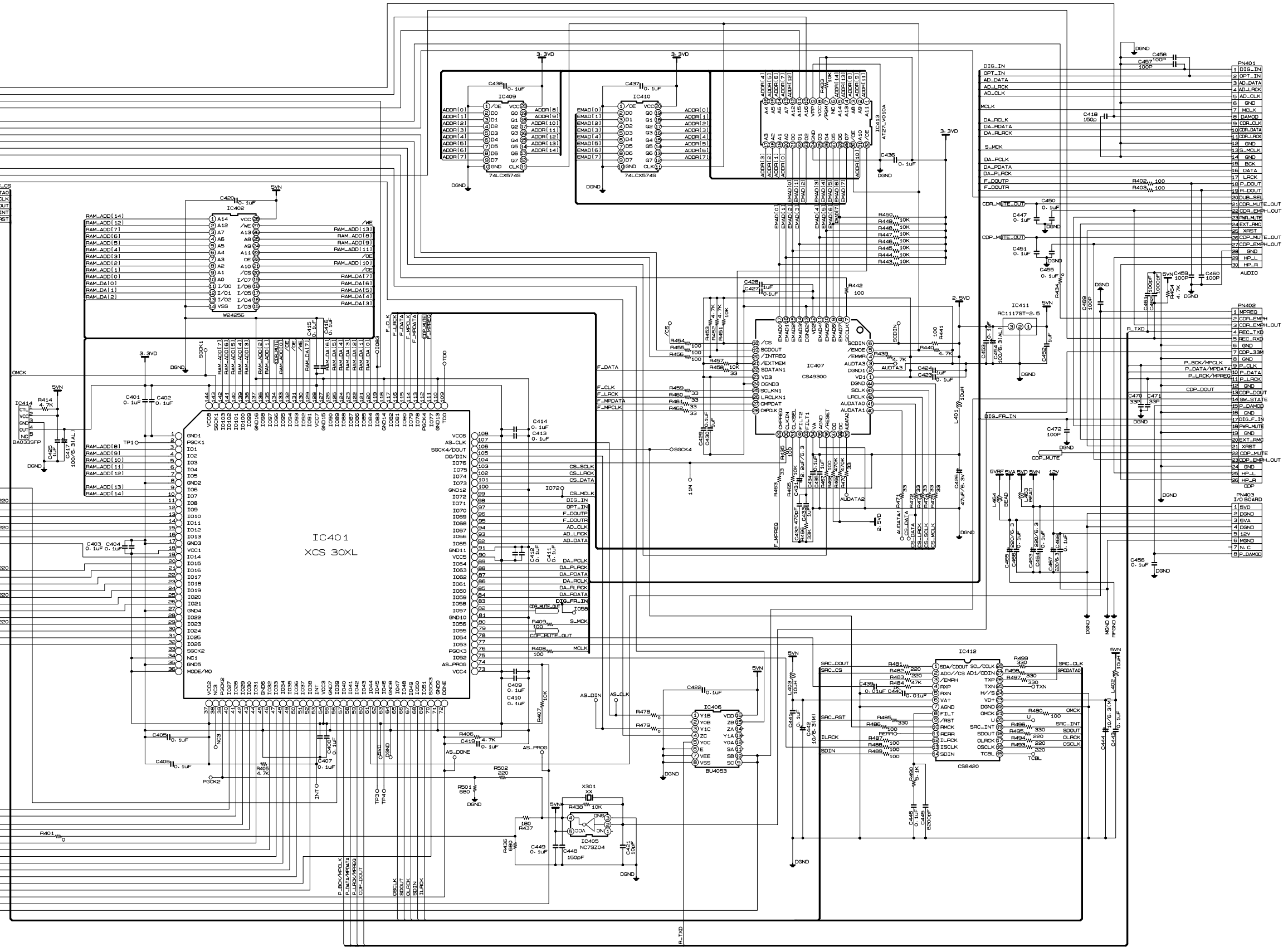


4. CD-RECORD 2 CIRCUIT DIAGRAM

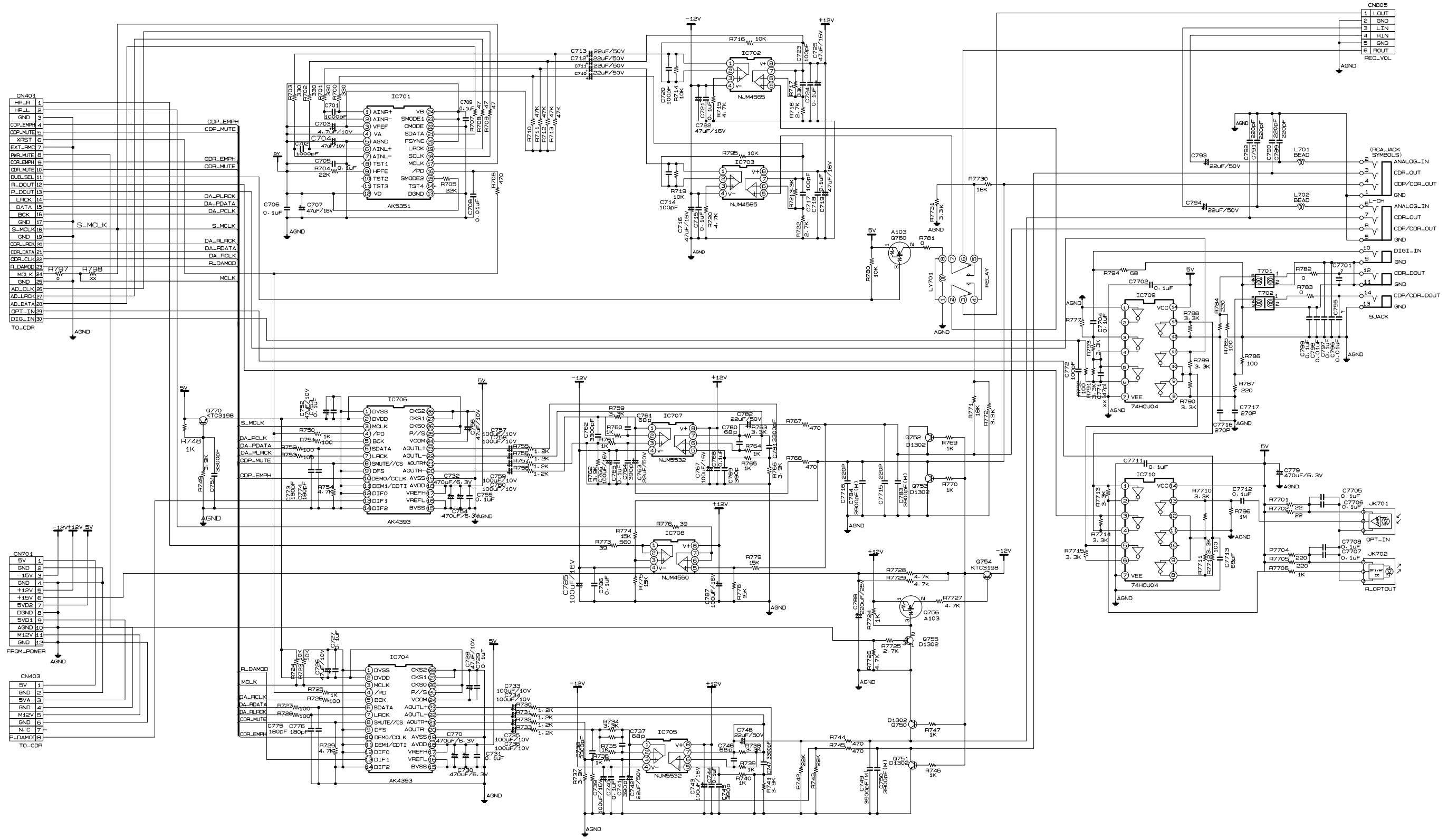


5. CD-RECORD 3 CIRCUIT DIAGRAM

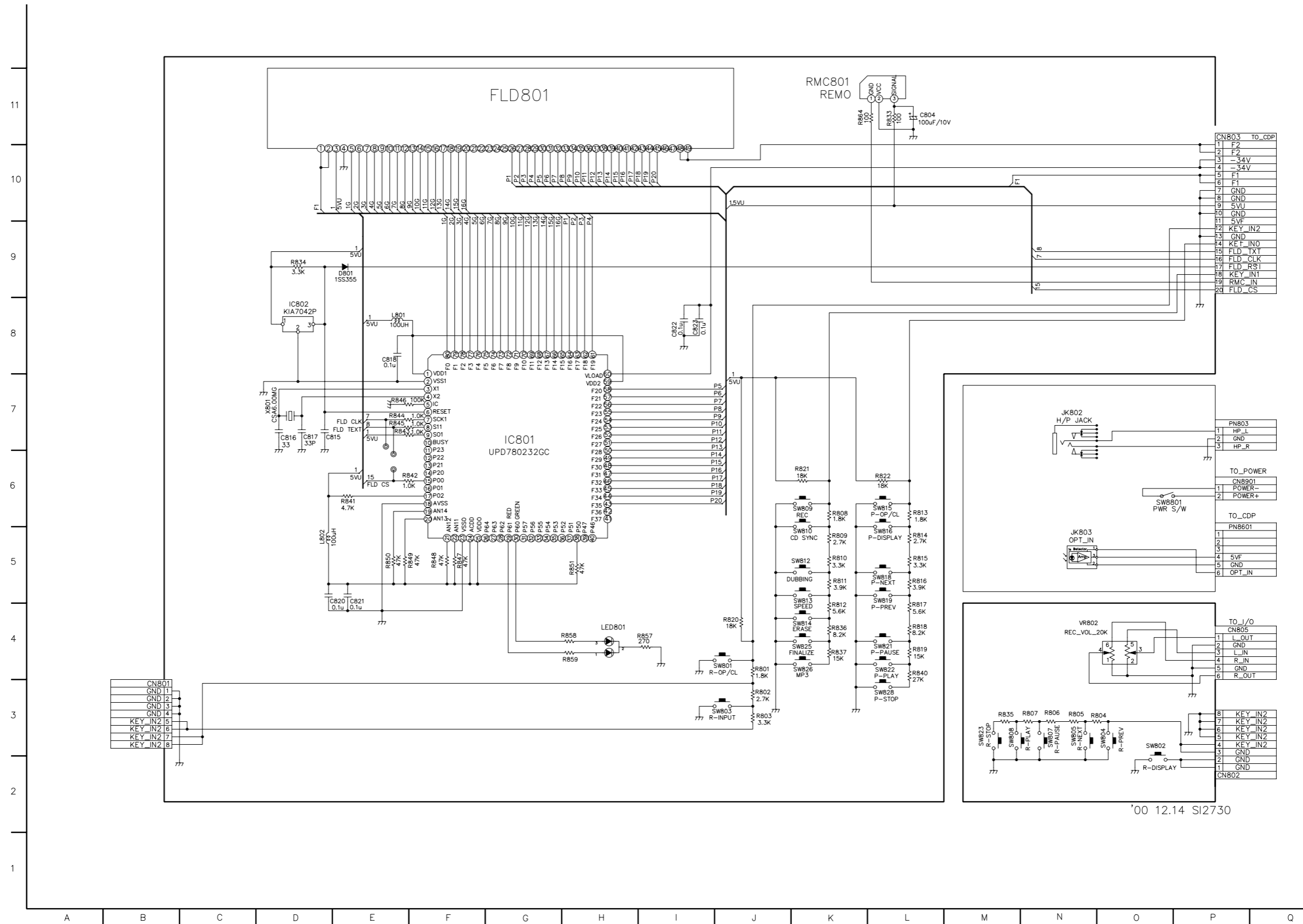
2/3 TO MICOM
2/3 0T13790
2/3 0T13790
2/3 TO MICOM



6. I/O CIRCUIT DIAGRAM

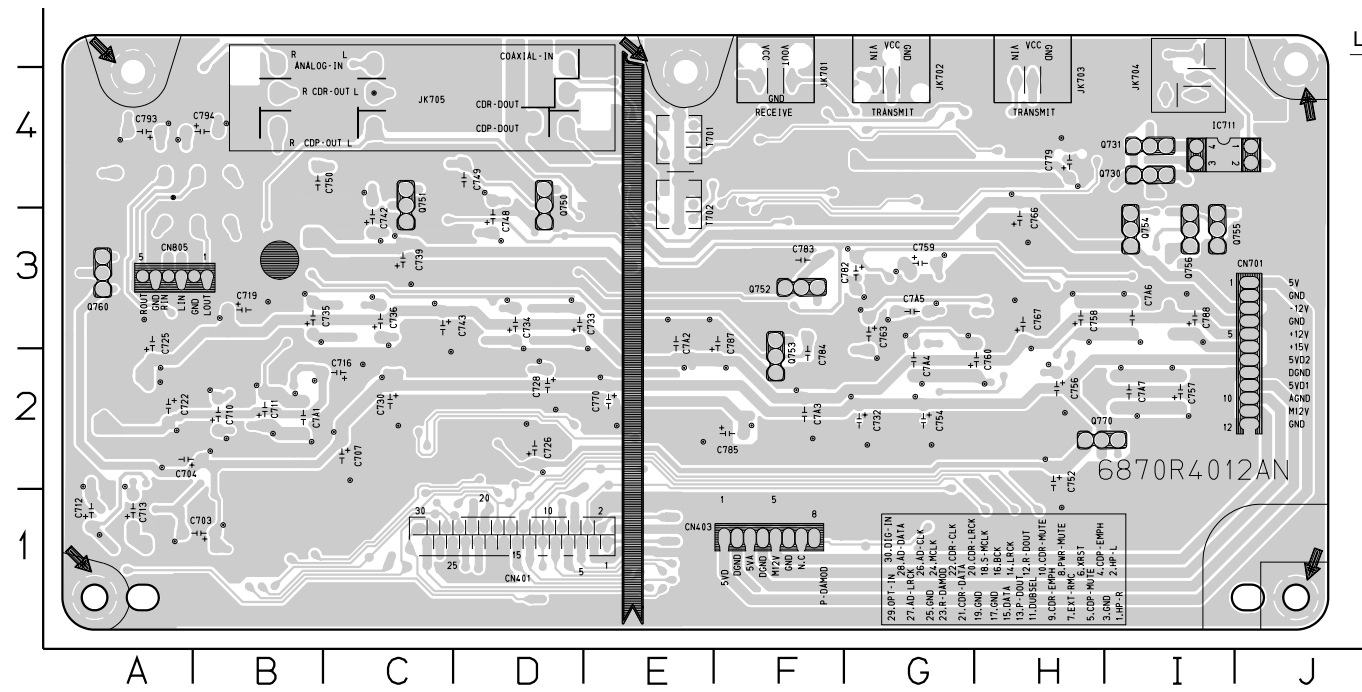


7. FRONT CIRCUIT DIAGRAM



'00 12.14 SI2730

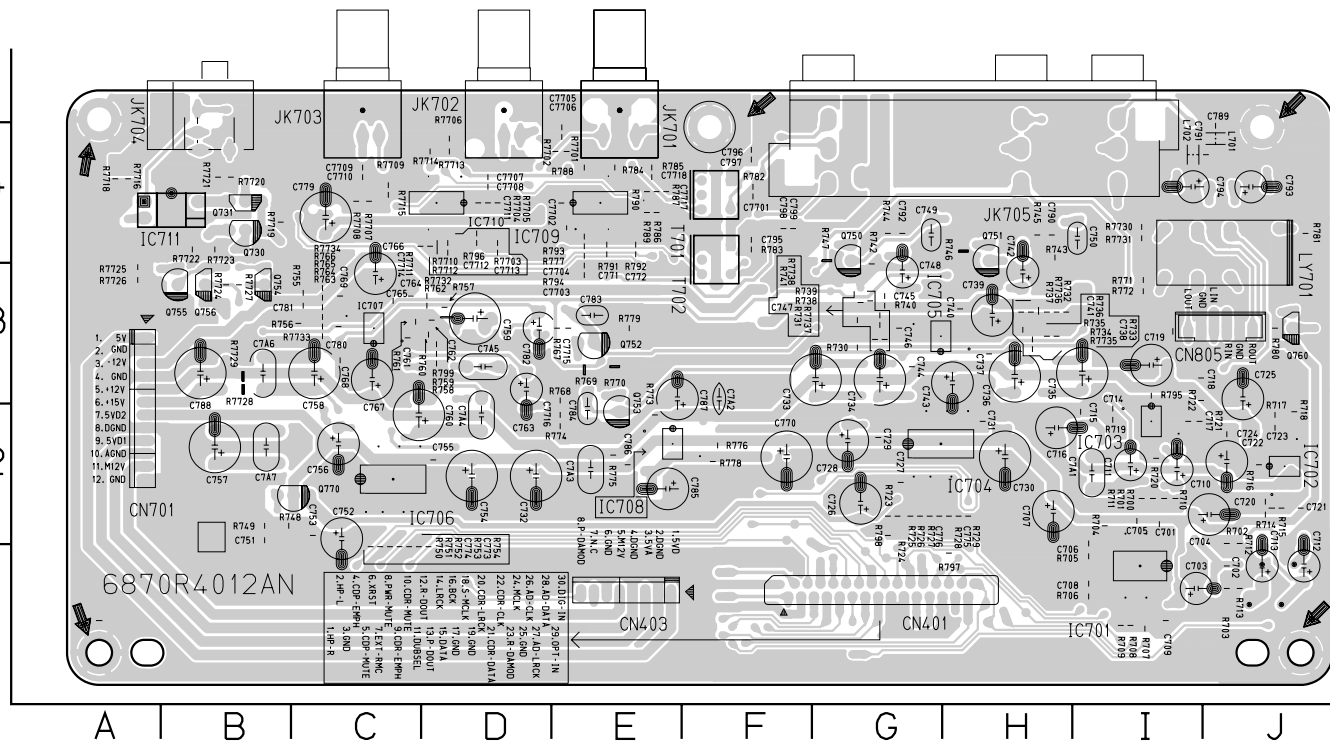
5. I/O TOP P.C.BOARD



LOCATION GUIDE

ZTP10	D1
ZTP139	C1
ZTP140	F1
ZTP141	F1
ZTP142	F1
ZTP159	C1
ZTP162	C1
ZTP164	D1
ZTP200	E1
ZTP201	E1
ZTP202	E1
ZTP203	E2
ZTP204	E1
ZTP205	D1
ZTP206	D1
ZTP207	D1
ZTP208	D1
ZTP209	D1
ZTP210	D1
ZTP211	E2
ZTP212	D1
ZTP213	B4
ZTP214	C1
ZTP215	C1
ZTP216	D1
ZTP217	D1
ZTP218	D1
ZTP219	D1
ZTP220	D1
ZTP221	F1
ZTP222	G1
ZTP223	J2
ZTP224	J3
ZTP225	J3
ZTP226	I3
ZTP227	I3
ZTP228	I2
ZTP229	I2
ZTP230	J2
ZTP4	E2
ZTP8	D1
ZTP9	D1

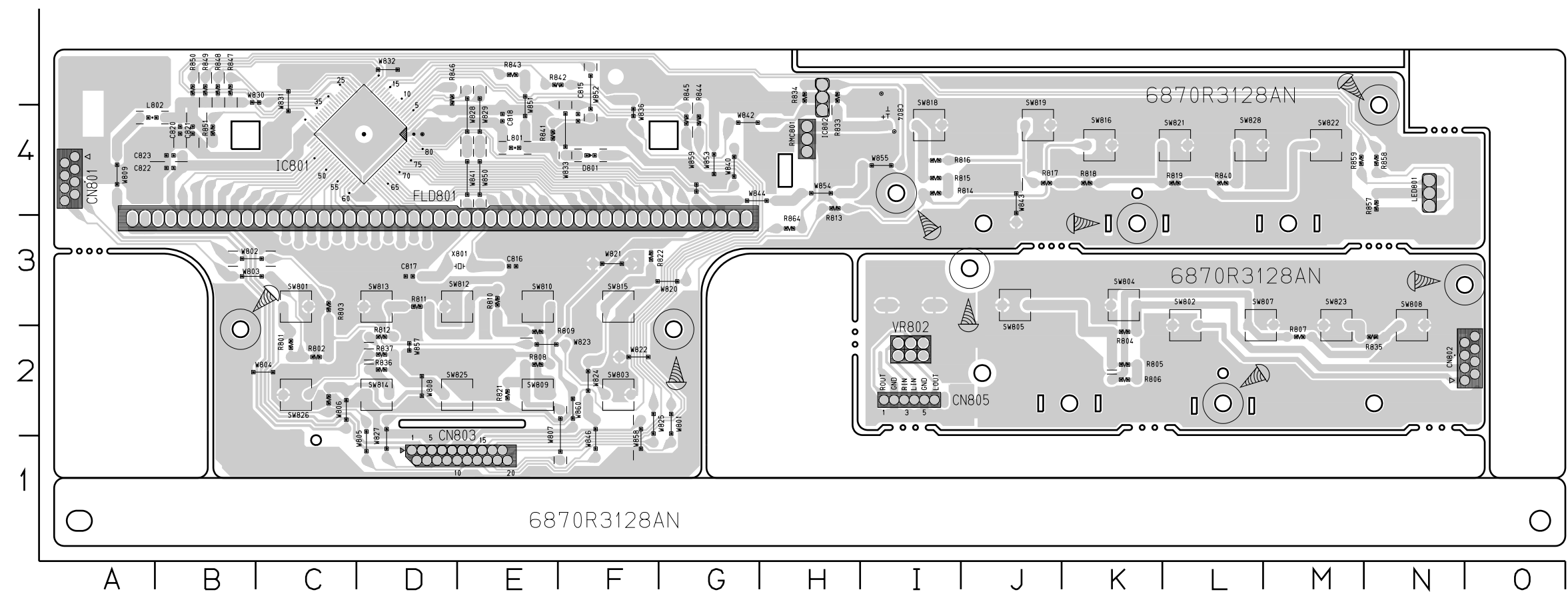
6 I/O BOTTOM P.C.BOARD



LOCATION GUIDE

C701	I2	C764	C3	IC701	I1	R733	H3	R7725	A3	ZTP136	C2
C702	J1	C765	C3	IC702	J2	R734	H3	R7726	A3	ZTP137	C2
C703	I1	C766	C3	IC703	I2	R735	H3	R7727	B3	ZTP14	I2
C704	I2	C767	C3	IC704	G2	R736	H3	R7728	B3	ZTP143	B2
C705	I2	C768	C3	IC705	G3	R737	H3	R7729	B3	ZTP144	D3
C706	I2	C769	C3	IC706	C2	R738	G3	R7730	E2	ZTP145	C3
C707	H2	C770	F2	IC707	C3	R739	G3	R7731	I4	ZTP15	J1
C708	I1	C771	F4	IC708	E2	R740	G3	R7732	D3	ZTP151	G3
C709	I1	C772	E4	IC709	E4	R741	G3	R7733	C3	ZTP158	A4
C710	I2	C773	E3	IC710	D4	R742	G3	R7734	C3	ZTP16	J1
C711	I2	C774	E4	IC711	B4	R743	H4	R7735	H3	ZTP160	F4
C712	J1	C775	E4	IC712	E5	R744	G4	R7736	H3	ZTP161	F4
C713	I2	C776	E4	IC713	D5	R745	H4	R7737	H3	ZTP165	F2
C714	I2	C777	D4	IC714	C5	R746	H4	R7738	G3	ZTP167	J3
C715	I2	C778	D4	IC715	B5	R747	G4	R7739	G3	ZTP168	I2
C716	H2	C779	C4	IC716	H4	R748	B2	R7740	E2	ZTP17	I2
C717	I2	C780	E4	IC717	J4	R749	B2	R7741	E2	ZTP170	I4
C718	I3	C781	C4	IC718	I4	R750	C1	R7742	F2	ZTP18	I1
C719	I3	C782	D4	IC719	J4	R751	C1	R7743	F2	ZTP19	I1
C720	J2	C783	D4	IC720	J4	R752	C1	R7744	F2	ZTP20	I2
C721	J2	C784	D4	IC721	J4	R753	C1	R7745	E3	ZTP21	J1
C722	J2	C785	D4	IC722	J4	R754	D1	R7746	J3	ZTP26	I2
C723	J2	C786	E3	IC723	J2	R755	H4	R7747	J4	ZTP27	I3
C724	J2	C787	E2	IC724	J2	R756	G3	R7748	F4	ZTP28	J2
C725	J3	C788	E4	IC725	J3	R757	D3	R7749	F4	ZTP30	J2
C726	G2	C789	E4	IC726	G2	R758	D3	R7750	E4	ZTP31	J2
C727	G2	C790	E4	IC727	G2	R759	D3	R7751	E4	ZTP32	J2
C728	G2	C791	E4	IC728	G2	R760	D3	R7752	E4	ZTP35	I1
C729	G2	C792	E4	IC729	G2	R761	C3	R7753	E4	ZTP36	I1
C730	H2	C793	E4	IC730	H2	R762	D3	R7754	E4	ZTP37	I1
C731	H2	C794	E4	IC731	H2	R763	D3	R7755	E4	ZTP38	G1
C732	D2	C795	C2	IC732	D2	R764	C3	R7756	E4	ZTP39	C2
C733	G3	C796	C3	IC733	G3	R765	C3	R7757	E4	ZTP50	D3
C734	G3	C797	C3	IC734	G3	R766	C3	R7758	E4	ZTP51	C3
C735	I3	C798	C3	IC735	I3	R767	E3	R7759	E4	ZTP53	C3
C736	H3	C799	E3	IC736	H3	R768	E3	R7760	E4	ZTP54	C3
C737	H3	C800	E3	IC737	H3	R769	E3	R7761	E4	ZTP55	C3
C738	H3	C801	E3	IC738	H3	R770	E3	R7762	D4	ZTP58	H3
C739	H3	C802	E3	IC739	H3	R771	E4	R7763	H1	ZTP59	H3
C740	H3	C803	E3	IC740	H3	R772	D4	R7764	G2	ZTP61	H3
C741	H3	C804	E3	IC741	H3	R773	D4	R7765	D4	ZTP62	G3
C742	H3	C805	E3	IC742	H3	R774	D4	R7766	D4	ZTP65	H3
C743	G3	C806	E3	IC743	G3	R775	D4	R7767	F4	ZTP66	G3
C744	G3	C807	E3	IC744	G3	R776	D4	R7768	F4	ZTP67	G2
C745	G3	C808	E3	IC745	G3	R777	J2	R7769	D4	ZTP69	G2
C746	G3	C809	E3	IC746	G3	R778	J2	R7770	D4	ZTP72	G3
C747	G3	C810	E3	IC747	G3	R779	J2	R7771	D4	ZTP73	G3
C748	G3	C811	E3	IC748	G3	R780	J2	R7772	D4	ZTP75	E3
C749	G3	C812	E3	IC749	G3	R781	J2	R7773	D4	ZTP76	E3
C750	I1	C813	E3	IC750	I1	R782	D4	R7774	D4	ZTP77	E2
C751	B2	C814	E3	IC751	B2	R783	D4	R7775	D4	ZTP80	F2
C752	B2	C815	E3	IC752	B2	R784	D4	R7776	D4	ZTP81	F2
C753	B2	C816	E3	IC753	B2	R785	D4	R7777	D4	ZTP82	F2
C754	D2	C817	E3	IC754	D2	R786	D4	R7778	D4	ZTP83	F2
C755	D2	C818	E3	IC755	D2	R787	D4	R7779	D4	ZTP84	F2
C756	D2	C819	E3	IC756	D2	R788	D4	R7780	D4	ZTP85	F2
C757	B2	C820	E3	IC757	B2	R789	D4	R7781	D4	ZTP86	F2
C758	B2	C821	E3	IC758	B2	R790	D4	R7782	D4	ZTP87	F2
C759	B2	C822	E3	IC759	B2	R791	D4	R7783	D4	ZTP88	F2
C760	C2	C823	E3	IC760	C2	R792	D4	R7784	D4	ZTP89	F2
C761	C2	C824	E3	IC761	C2	R793	D4	R7785	D4	ZTP90	F2
C762	C2	C825	E3	IC762	C2	R794	D4	R7786	D4	ZTP91	F2
C763	D3	C826	E3	IC763	D3	R795	D4	R7787	D4	ZTP92	F2

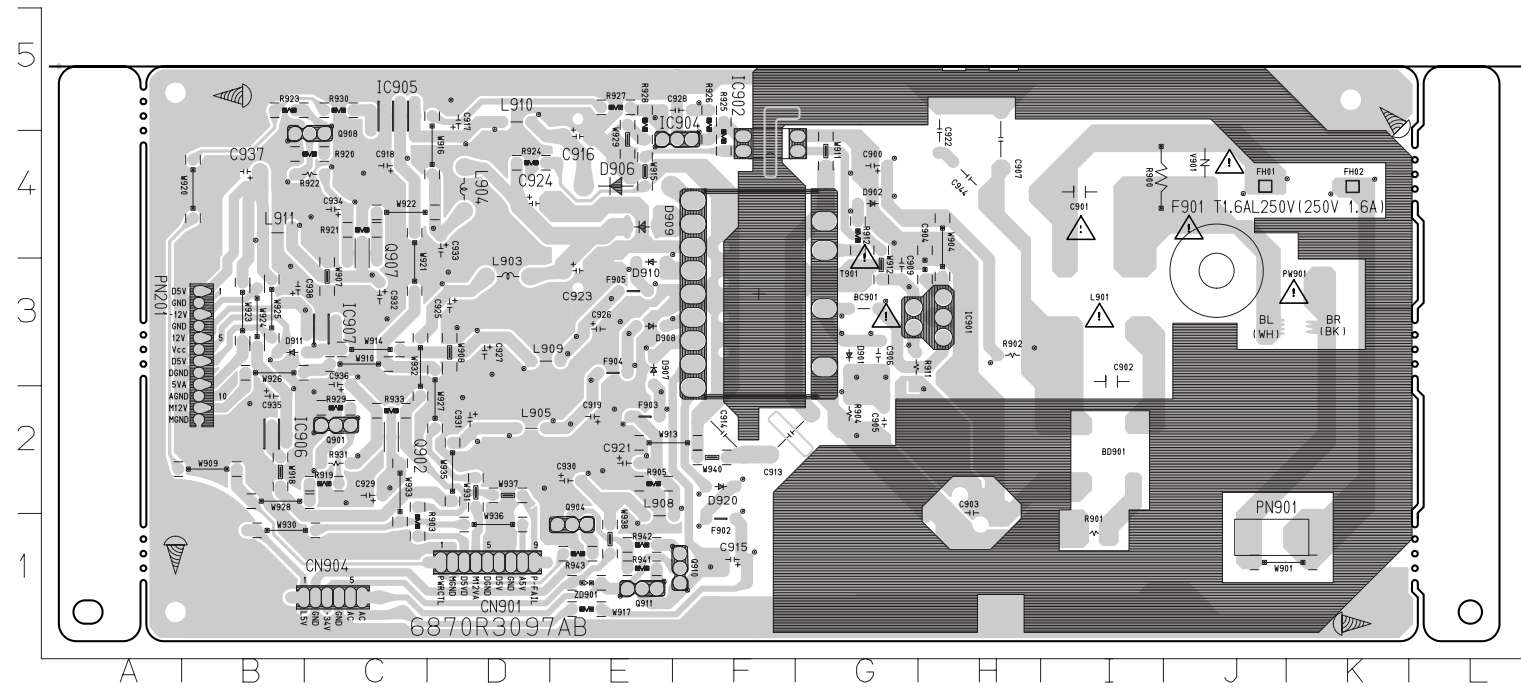
7. FRONT P.C. BOARD



LOCATION GUIDE

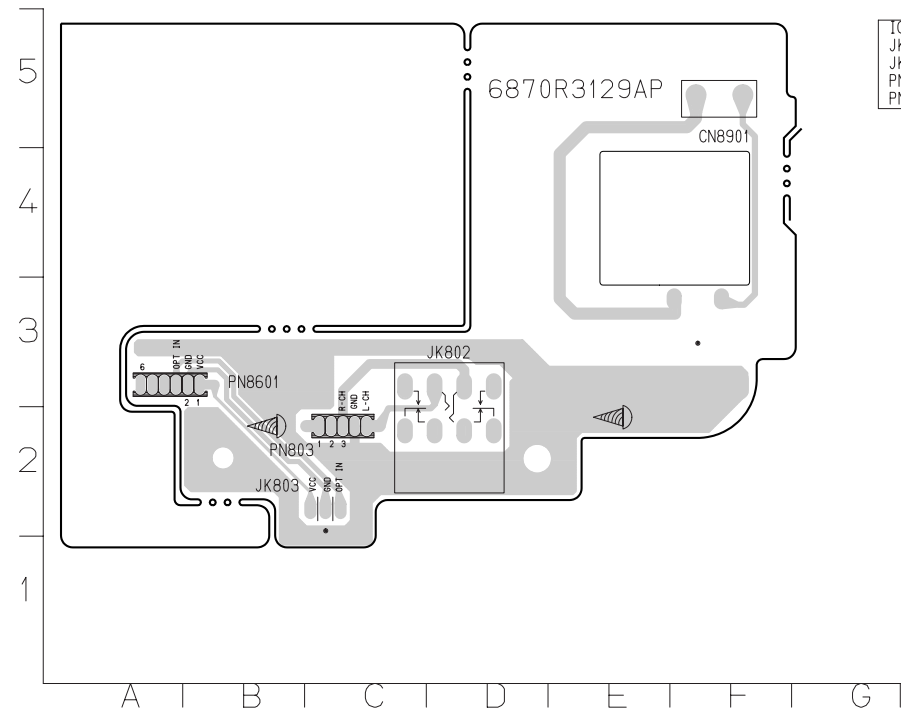
C804	I4	R836	D2
C815	F4	R837	D2
C816	E3	R840	L4
C817	D3	R841	E4
C818	E4	R842	F5
C820	B4	R843	E5
C821	B4	R844	G4
C822	B4	R845	G4
C823	B4	R846	D5
CN801	A4	R847	B5
CN802	O2	R848	B5
CN803	D1	R849	B5
CN805	I2	R850	B5
D801	F4	R851	B4
FLD801	D4	R857	N4
IC802	H5	R858	N4
L801	E4	R859	M4
L802	A4	R864	H3
LED801	N4	RM801	H4
R801	C2	SW801	C3
R802	C2	SW802	L3
R803	C3	SW803	F2
R804	K2	SW804	K3
R805	K2	SW805	J3
R806	K2	SW807	L3
R807	M2	SW808	N3
R808	E2	SW809	E2
R809	E2	SW810	E3
R810	E3	SW812	E3
R811	D3	SW813	D3
R812	D2	SW814	D2
R813	H4	SW815	F3
R814	I4	SW816	K4
R815	I4	SW818	I4
R816	I4	SW819	J4
R817	J4	SW821	L4
R818	K4	SW822	M4
R819	L4	SW823	M3
R820	C2	SW825	E2
R821	E2	SW826	C2
R822	F3	SW828	L4
R833	H5	VR802	I3
R834	H5	X801	E3
R835	N2		

8. POWER P.C.BOARD



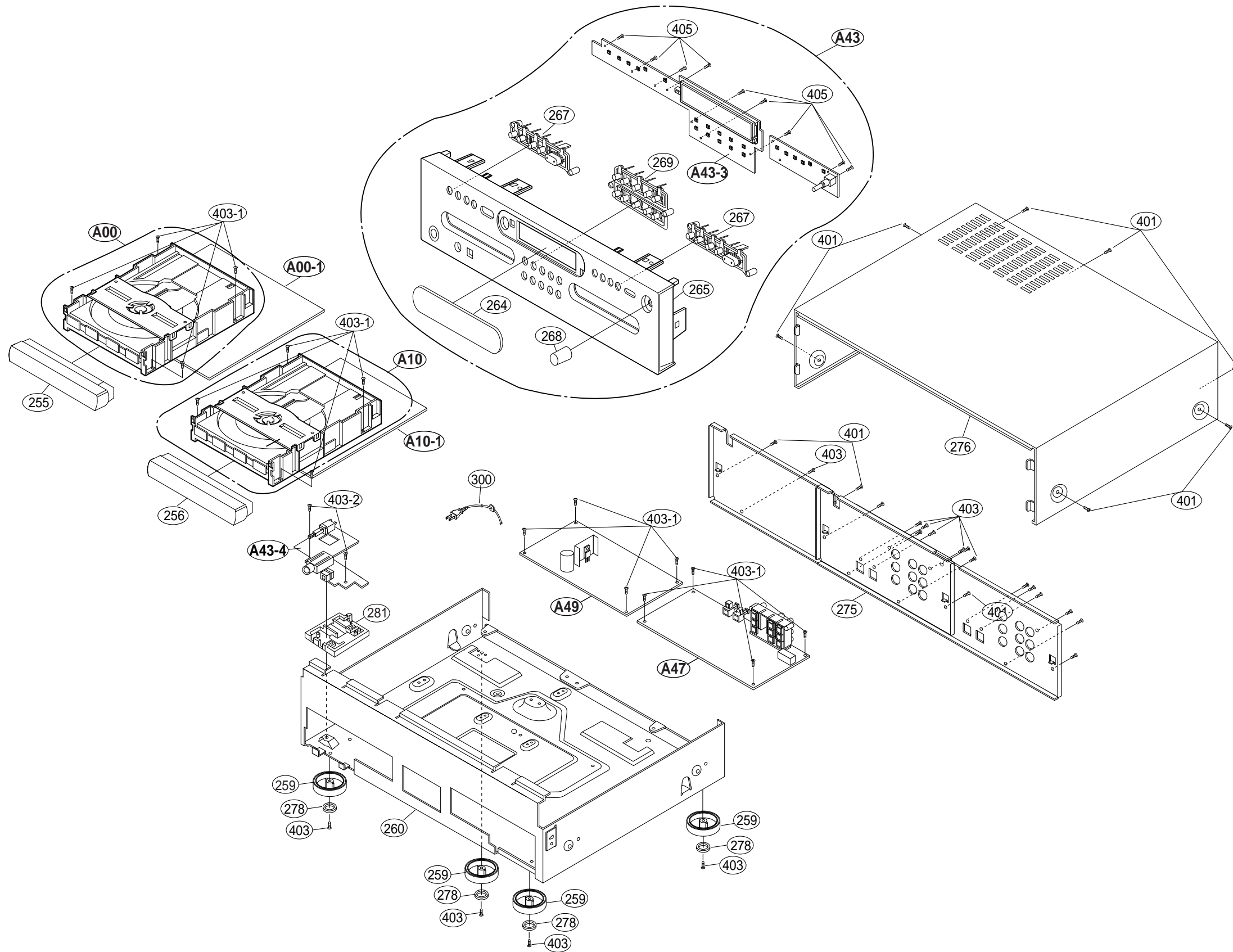
BC901	G3	FH02	K4
BD901	I2	IC901	H3
C900	G4	IC902	F4
C901	I4	IC904	F4
C902	I3	IC905	C5
C903	H2	IC906	B2
C904	H3	IC907	C3
C905	G2	L901	I3
C906	G3	L903	D3
C907	H4	L904	D4
C909	G3	L905	D2
C913	F2	L908	E1
C914	F2	L909	D3
C915	F1	L910	D5
C916	E4	L911	B4
C917	D5	PN201	B3
C918	C4	PN901	J1
C919	E2	PW901	K3
C921	E2	Q901	C2
C922	H4	Q902	C2
C923	E3	Q904	E1
C924	D4	Q907	C4
C925	D3	Q908	C4
C926	E3	Q910	F1
C927	D3	Q911	E1
C928	F5	R900	I4
C929	C2	R901	I1
C930	E2	R902	H3
C931	D2	R903	C1
C932	C3	R904	G2
C933	D4	R905	E2
C934	C4	R911	G3
C935	B2	R912	G4
C936	C3	R919	C2
C937	B4	R920	C4
C938	B3	R921	C4
C944	H4	R922	C4
CN901	D1	R923	B5
CN904	B1	R924	D4
D901	G3	R925	F4
D902	G4	R926	F5
D906	E4	R927	E5
D907	E3	R928	E5
D908	E3	R929	C2
D909	E4	R930	C5
D910	E3	R931	C2
D911	B3	R933	C2
D920	F2	R941	E1
F902	F1	R942	E1
F903	E2	R943	E1
F904	E3	T901	F3
F905	E3	V901	J4
FH01	J4	ZD901	E1

9. H/P P.C.BOARD

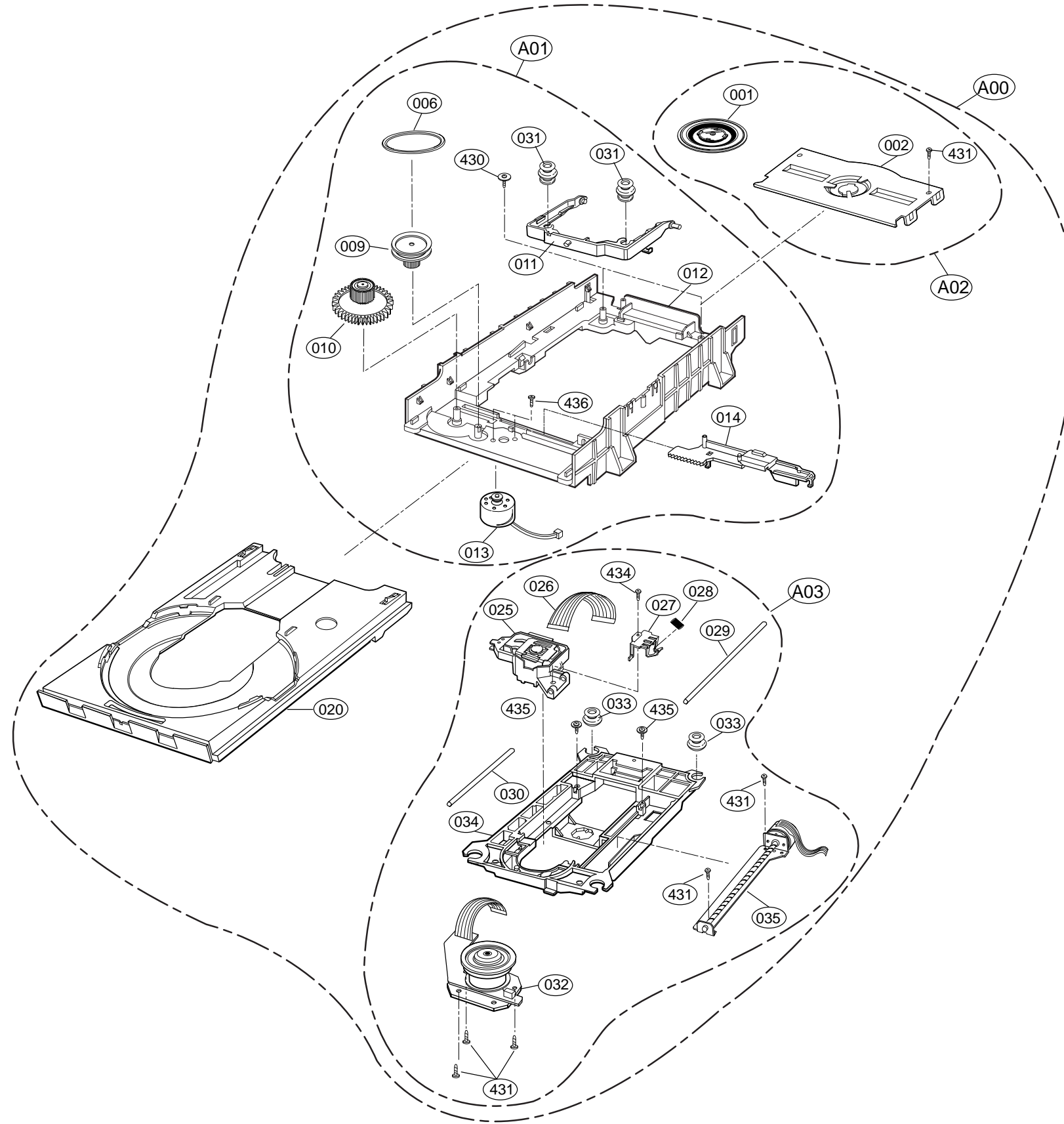


IC803	C2
JK802	D2
JK803	C2
PN8601	A3
PN901	F5

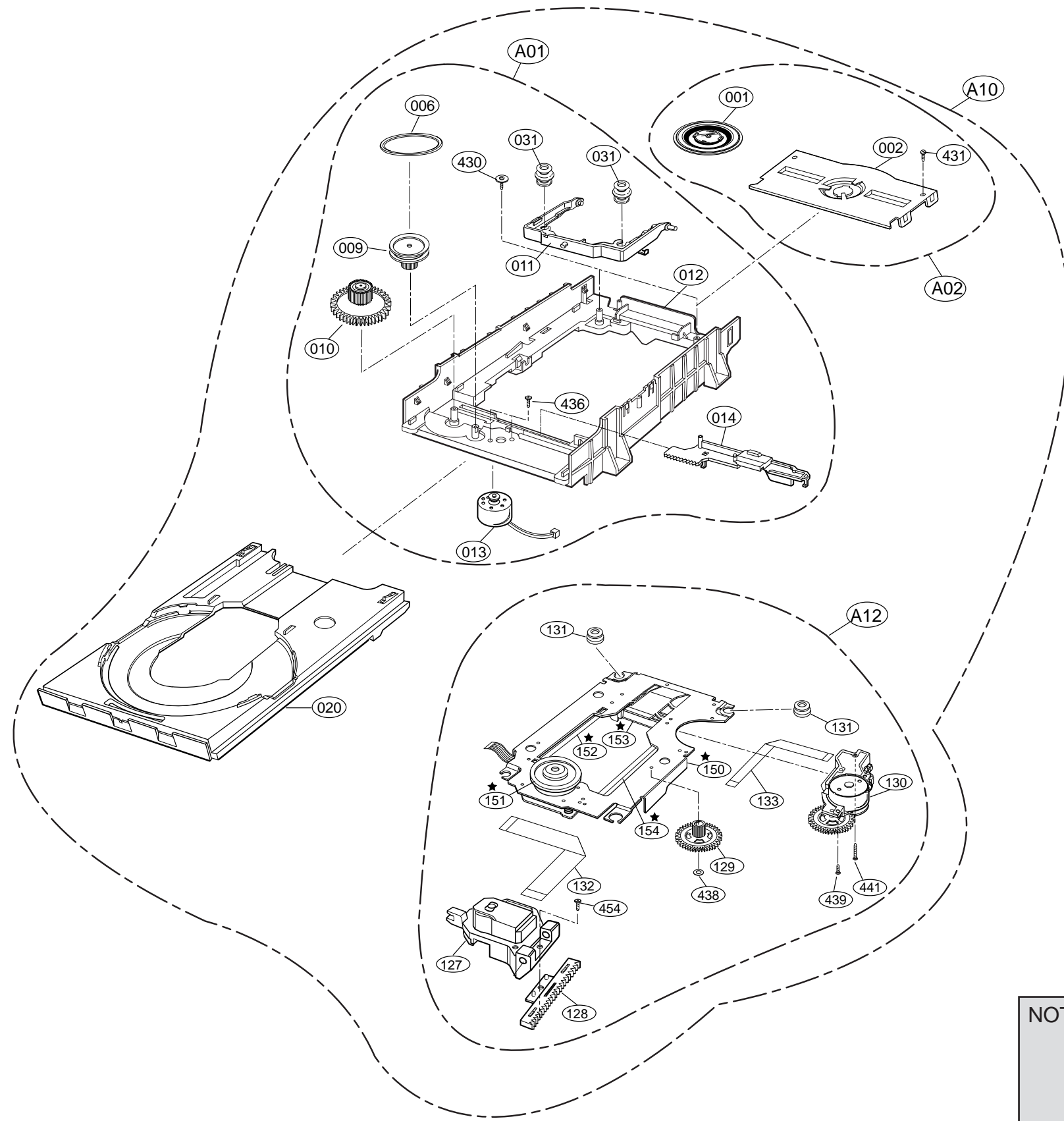
EXPLODED VIEW
• MAIN SECTION



• CD PLAY SECTION



• CD RECORD SECTION



NOTE : The ★ part with location numbers. 150, 151, 152, 153, 154 are not serviceable parts. If you would like to replace these parts, order and replace the Assembly part(Location No. A12) only. Because these parts need a Mechanical precision adjustment when reassembling after disassembling.

SERVICING PRECAUTIONS

A : C660 (UL), B : C660 (EUROPE)
Mechanical Section

RUN DATE : 2001.11.14

NSP : Not Service Part

S	AL	LOCA.NO	PART NO.	A	B	DESCRIPTION	SPECIFICATION	REMARKS
ASSEMBLY PARTS SECTION								
		A00	6721R-0306A	O	O	DECK ASSY (CD PLAY SECTION)	CDM-700P	
		A00-1	6871R-3030N	O	O	PWB(PCB) ASSY,TOTAL (CD PLAY SECTION)	ADR710(NAD) E	NSP
		A01	4405R-D005A	O	O	MECHANISM ASSY (CD PLAY SECTION)	ACDR MAIN LOADING (CDM-700)	
		A02	4931R-0038A	O	O	HOLDER ASSY	CLAMP (CDM-700)	
		A03	4405R-D006A	O	O	MECHANISM ASSY (CD RECORD SECTION)	ACDR PU UNIT (CDM-700P)	
		A10	6721R-0307A	O	O	DECK ASSY (CD RECORD SECTION)	CDM-700RW	
		A10-1	6871R-3028N	O	O	PWB(PCB) ASSY,TOTAL (CD RECORD SECTION)	ADR710(NAD) EVNT	
		A12	4405R-D007A	O	O	MECHANISM ASSY (CD RECORD SECTION)	ACDR PU UNIT (CDM-700RW)	
PARTS SECTION								
		001	4861R-0008A	O	O	CLAMP ASSY	DISC (CDM-700)	
		002	4930R-0209A	O	O	HOLDER	CLAMP (CDM-700)	
		006	4400H-1009A	O	O	BELT	GM-RT1332A	
		009	4470R-0055A	O	O	GEAR	PULLEY	
		010	4470R-0056A	O	O	GEAR	LOADING	
		011	3040R-0035A	O	O	BASE	UP/DOWN (CDM-700)	
		012	3040R-0034A	O	O	BASE	MAIN (CDM-700)	
		013	4681R-0013A	O	O	MOTOR ASSY	LOADING (CDM-700)	
		014	4974R-0029A	O	O	GUIDE	UP/DOWN (CDM-700)	
		020	3390R-0009A	O	O	TRAY	DISC (CDM-700, BLACK)	
		025	6716S-E001A	O	O	PICK UP, CD	SANYO ROM ACDR	
		026	6850HD1L16A	O	O	CABLE, FLEXIBLE	2896-A-1.0-17(05*65)160 BANDO	
		027	4974R-0031A	O	O	GUIDE	FEED (CDM-700P, MATSUSHITA)	
		028	4970H-1086A	O	O	SPRING	FEED(GM-RT1332A)	
		029	4370H-1024C	O	O	SHAFT	P/U (R, GM-RT1332A)	
		030	4370H-1025B	O	O	SHAFT	P/U (L, GM-RT1332A)	
		031	5040R-0054A	O	O	RUBBER	FRONT (CDM-700)	
		032	4680HB1019A	O	O	MOTOR(MECH)	GCS-L32A LGEC SPINDLE	
		033	5040R-0053A	O	O	RUBBER	REAR (CDM-700)	
		034	3040R-0036A	O	O	BASE	P/U (CDM-700)	
		035	4680HP5002D	O	O	MOTOR(MECH)	OTHER 15S1R10F6NC3 MATSUSHITA	
		127	6716R-E002A	O	O	PICK UP, CD	SONY RW(PC) 4RWX4RX32CD	
		128	4471R-0001A	O	O	GEAR ASSY	RACK(CDM-700RW)	
		129	4471R-0002A	O	O	GEAR ASSY	PINION(CDM-700RW)	
		130	4405R-D008A	O	O	MECHANISM ASSY	ACDR SLED UNIT(CDM-700RW), NEW H	
		131	5040R-0053A	O	O	RUBBER	REAR (CDM-700)	
		132	6850HD4P16C	O	O	CABLE, FLEXIBLE	SFBNCD-TN2 BANDO UL20624 0.5MM	
		133	6850HD1817A	O	O	CABLE, FLEXIBLE	SFBNCD-TN BANDO UL2896 1.0MM 8	
		150	3141R-0020A	O	O	CHASSIS ASSY	PU CHULKING (CDM-700RW)	NSP
		151	4680HB1034A	O	O	MOTOR(MECH)	GRS-R02A LGP SPINDLE	NSP
		152	4370H-1078A	O	O	SHAFT	P/U(L/CD-RW)	NSP
		153	4930R-0223A	O	O	HOLDER	FFC(CDM-700RW)	
		154	4370H-1079A	O	O	SHAFT	P/U(R/CD-RW)	NSP
SCREW								
		401	353-085E	O	O	SCREW, DRAWING	+3D4.0L10.0MSWR3/FZMCW-2	
		403	353-046K	O	O	SCREW	SPECIAL (3X10 B.K)	
		403	353-046N	O	O	SCREW,	SPECIAL(3X8 BK.)	
		403-1	353-051G	O	O	SCREW, DRAWING	+2D3.0L8.0MSWR3FN TBROUN	
		403-2	1TRL0302016	O	O	SCREW TAPPING, BRIZER HEAD	D 3.0 L 6.0 MSWR3/(BK)	
		405	353-051A	O	O	SCREW	SPECIAL	
		430	1SZZH-1003C	O	O	SCREW, DRAWING	+D20 10MM SWRCH16A/ZNY 4.5MM	
		431	1SZZH-1007B	O	O	SCREW, DRAWING	+D20 6MM SWRCH16A/ZNBK 4MM 1	
		434	1SZZH-1011B	O	O	SCREW, DRAWING	+D1.7 6MM SWRCH16A/NY 3.5MM	
		435	1SZZH-1004A	O	O	SCREW,	+D1.7 5MM SWRCH16A/ZNY 3.5MM	
		436	4000H-1006B	O	O	SCREW, DRAWING	+D1.7 4.5MM SWRCH16A/ZNY 4MM	
		438	1WZZH-1009A	O	O	WASHER	BLACK Y POLY N	
		439	1SZZH-1020C	O	O	SCREW,	+D20 4.5MM SWRCH16A/ZNY 4MM	
		441	1SZZH-1020A	O	O	SCREW,	+D20 11.5MM SWRCH16A/ZNY 4MM	
		454	1SZZH-1005B	O	O	SCREW,	+D1.7 3MM SWRCH16A/NY 3MM 0.	

Cabinet & Main Frame Section

NSP : Not Service Part

S	AL	LOCA.NO	PART NO.	A	B	DESCRIPTION	SPECIFIATION	REMARKS
ASSEMBLY PARTS SECTION								
		A43	3501R-M777A	O	O	BOARD ASSY	FRONT+PCB (AADR710 . EVNT)	
		A43-1	3721R-M006A	O	O	PANEL ASSY,AUDIO	FRONT ASSY(NAD C660)	
		A43-3	6871RF3128A	O	O	PWB(PCB) ASSY,FRONT(AUDIO)	ADR710(NAD) EVNT	
		A43-4	6871RJ3129A	O	O	PWB(PCB) ASSY,JACK(AUDIO)	ADR710(NAD) EVNT	
		A47	6871R-4012N	O	O	PWB(PCB) ASSY,TOTAL (I/O)	ADR710 ALL I/O	
		A49	3501R-3097N		O	BOARD ASSY (POWER)	ADR710(NAD) EVNT	
		A49	3501R-3097P	O		BOARD ASSY (POWER)	ADR710(NAD) EVNT	
PARTS SECTION								
		255	3580R-T016A	O	O	DOOR	TRAY (C660)	
		256	3580R-T016B	O	O	DOOR	TRAY (C660-CDR)	
		259	3610RB0002A	O	O	FOOT	BOTTOM (C660)	
		260	3140R-0021B	O	O	CHASSIS	MAIN(ADR-710)	NSP
		264	3790R-P021A	O	O	WINDOW	FL (C660)	
		265	3720R-M003A	O	O	PANEL,AUDIO	FRONT (C660)	NSP
		267	4940R-T030A	O	O	KNOB	CD /RW(C660)	
		268	4940R-V017A	O	O	KNOB	REC VOLUME(C660)	
		269	4940R-T031A	O	O	KNOB	10 KEY(C660)	
		275	3720R-Z015A	O		PANEL	BACK(SECC C660)	
		275	3720R-Z015D		O	PANEL	BACK(AADR710.KTN2K)	
		276	3140R-0023A	O	O	CHASSIS	TOP(C660)	
		278	3300RBX001A	O	O	PLATE	FOOT CUSHION(NAD C660)	
		281	4930R-0219B	O	O	HOLDER	POWER(ADR-700 FOR CE)	
		300	6410RAHS02A	O		POWER CORD	AP-10WNI SP2 CORE 80 STP SANG	
		300	6410RCHS02A		O	POWER CORD	EP11 LTFZ:2F 2*0.75 EMI OR SAN	

Packing Accessory Section

S	AL	LOCA.NO	PART NO.	A	B	DESCRIPTION	SPECIFIATION	REMARKS
		801	3829RDT002J	O		MANUAL ASSY,OWNERS	ADR-710 AA1CN_NEW	
		801	3829RDT002K		O	MANUAL ASSY,OWNERS	ADR-710 AA3NN_NEW	
		802	3890R-C026C		O	BOX,MASTER	AADR710C-VER 3890R-C026C 1	
		802	3890R-C026D	O		BOX,MASTER	AADR710AH-VER. 3890R-C026D 1	
		803	3920R-E029A	O	O	PACKING,CASING	ADR-710 0.02 82 EPS 8 900 1800	
		804	3858R-S001B	O	O	SHEET (MECH)	LDPE 600M 780MM 0.5 DVD 5	NSP
		808	534-008C	O	O	BATTERY,MANGANESE	SEOTONG 1.5V . 1PAIR(LOCAL) A	
		850	3008R-0001C	O	O	DISK	CD-R BLANK LG BRAND	
		851	564-036D	O	O	PLUG CONTACT CORD,PHONE	PHONE 1.5MZ 1185#26	
		852	564-036J	O	O	CORD	DIGIATL 1.5M 1365#30 ORANGE N	

Remote Control Section

S	AL	LOCA.NO	PART NO.	A	B	DESCRIPTION	SPECIFIATION	REMARKS
		900	6711R2P028A	O	O	REMOTE CONTROLLER ASSEMBLY	NAD(ADR-710 WELL LONG)	

LOCA.NO	PART NO.	A	B	DESCRIPTION	SPECIFICATION
ASSEMBLY PARTS SECTION					
A00	6721R-0306A	O	O	DECK ASSY	CDM-700P
A00-1	6871R-3030N	O	O	PWB(PCB) ASSY,TOTAL	ADR710(NAD) EVNT
A01	4405R-D005A	O	O	MECHANISM ASSY	ACDR MAIN LOADING (CDM-700)
A02	4931R-0038A	O	O	HOLDER ASSY	CLAMP (CDM-700)
A03	4405R-D006A	O	O	MECHANISM ASSY	ACDR PU UNIT (CDM-700P)
CAPACITOR					
C501	0CH7106C611	O	O	CAPACITOR,FIXED TANTALUM	10UF 6.3V 20% 3216 TP(-)
C502	0CH1104K942	O	O	CAPACITOR,CHIP[CERAMIC M/L HD	0.1UF 50V Z Y5V(F) 1508 R/TP
C503	0CH1104K942	O	O	CAPACITOR,CHIP[CERAMIC M/L HD	0.1UF 50V Z Y5V(F) 1508 R/TP
C504	0CH1104K942	O	O	CAPACITOR,CHIP[CERAMIC M/L HD	0.1UF 50V Z Y5V(F) 1508 R/TP
C505	0CH1104K942	O	O	CAPACITOR,CHIP[CERAMIC M/L HD	0.1UF 50V Z Y5V(F) 1508 R/TP
C506	0CHZS-0002C	O	O	CAPACITOR,DRAWING	GRM21BF51C105ZA01L GRM40Y5V105
C507	0CHZS-0002C	O	O	CAPACITOR,DRAWING	GRM21BF51C105ZA01L GRM40Y5V105
C508	0CH1332K562	O	O	CAPACITOR,CHIP[CERAMIC M/L HD	3300P 50V K X7R 1.6X0.8 R/TP
C509	0CH4121K412	O	O	CAPACITOR,CHIP[CERAMIC M/L TC	120P 50V J COG 1.6X0.8 R/TP
C510	0CH1822K562	O	O	CAPACITOR,FIXED CERAMIC(Temp.c	8200PF 50V 10% X7R(X) 1608 R/T
C512	0CH8476F611	O	O	CAPACITOR,FIXED ELECTROLYTIC	47UF 16V M 85STD(CYL) R/TP SAM
C513	0CH1104K942	O	O	CAPACITOR,CHIP[CERAMIC M/L HD	0.1UF 50V Z Y5V(F) 1508 R/TP
C514	0CH7106C611	O	O	CAPACITOR,FIXED TANTALUM	10UF 6.3V 20% 3216 TP(-)
C515	0CH8476F611	O	O	CAPACITOR,FIXED ELECTROLYTIC	47UF 16V M 85STD(CYL) R/TP SAM
C516	0CH1104K942	O	O	CAPACITOR,CHIP[CERAMIC M/L HD	0.1UF 50V Z Y5V(F) 1508 R/TP
C517	0CH7106C611	O	O	CAPACITOR,FIXED TANTALUM	10UF 6.3V 20% 3216 TP(-)
C518	0CH1104K942	O	O	CAPACITOR,CHIP[CERAMIC M/L HD	0.1UF 50V Z Y5V(F) 1508 R/TP
C519	0CH7106C611	O	O	CAPACITOR,FIXED TANTALUM	10UF 6.3V 20% 3216 TP(-)
C520	0CH1333K562	O	O	CAPACITOR,CHIP[CERAMIC M/L HD	0.033UF 50V K X7R(X) 1508 R/TP
C521	0CHZS-0002C	O	O	CAPACITOR,DRAWING	GRM21BF51C105ZA01L GRM40Y5V105
C522	0CH1102K512	O	O	CAPACITOR,FIXED CERAMIC(Temp.c	1000PF 50V 10% B(5YP) 1608 R/T
C524	0CHZS-0002C	O	O	CAPACITOR,DRAWING	GRM21BF51C105ZA01L GRM40Y5V105
C525	0CH1104K942	O	O	CAPACITOR,CHIP[CERAMIC M/L HD	0.1UF 50V Z Y5V(F) 1508 R/TP
C526	0CH1473H942	O	O	CAPA,CHIP CERAMIC M/L H.D F/S	0.0470UF 25V Z Y5V(F) 1608 R/T
C527	0CH4151K412	O	O	CAPA,CHIP CERAMIC M/L T.C F/S	150P 50V J COG 1.6X0.8 R/TP
C528	0CH1103K562	O	O	CAPACITOR,FIXED CERAMIC(Temp.c	0.01UF 50V 10% X7R(X) 1608 R/T
C529	0CH4221K412	O	O	CAPACITOR,CHIP[CERAMIC M/L TC	220P 50V J COG 1.6X0.8 R/TP
C530	0CH1474F946	O	O	CAPA,CHIP CERAMIC M/L H.D F/S	0.4700UF 16V Z Y5V(F) 2012 R/T
C531	0CH1103K562	O	O	CAPACITOR,FIXED CERAMIC(Temp.c	0.01UF 50V 10% X7R(X) 1608 R/T
C532	0CHZS-0002C	O	O	CAPACITOR,DRAWING	GRM21BF51C105ZA01L GRM40Y5V105
C533	0CHZS-0002C	O	O	CAPACITOR,DRAWING	GRM21BF51C105ZA01L GRM40Y5V105
C534	0CH1104K942	O	O	CAPACITOR,CHIP[CERAMIC M/L HD	0.1UF 50V Z Y5V(F) 1508 R/TP
C535	0CH4100K112	O	O	CHIP CAPA CERAMIC M/L T.C F/S	10P 50V D COG 1.6X0.8 R/TP
C536	0CH4100K112	O	O	CHIP CAPA CERAMIC M/L T.C F/S	10P 50V D COG 1.6X0.8 R/TP
C537	0RH0102C622	O	O	RESISTOR,METAL GLAZED(CHIP)	10 OHM 1 / 16 W 1608 5.00% D
C538	0CHZS-0002C	O	O	CAPACITOR,DRAWING	GRM21BF51C105ZA01L GRM40Y5V105
C541	0CH1104K942	O	O	CAPACITOR,CHIP[CERAMIC M/L HD	0.1UF 50V Z Y5V(F) 1508 R/TP
C542	0CH7106C611	O	O	CAPACITOR,FIXED TANTALUM	10UF 6.3V 20% 3216 TP(-)
C543	0CH1104K942	O	O	CAPACITOR,CHIP[CERAMIC M/L HD	0.1UF 50V Z Y5V(F) 1508 R/TP
C544	0CHZS-0002C	O	O	CAPACITOR,DRAWING	GRM21BF51C105ZA01L GRM40Y5V105
C545	0CH1104K946	O	O	CAPA,CHIP CERAMIC M/L H.D F/S	0.1UF 50V Z Y5V(F) 2012 R/TP
C546	0CH1104K942	O	O	CAPACITOR,CHIP[CERAMIC M/L HD	0.1UF 50V Z Y5V(F) 1508 R/TP
C547	0CH4150K412	O	O	CAPA,CHIP CERAMIC M/L T.C F/S	15P 50V J COG 1.6X0.8 R/TP
C548	0CH4150K412	O	O	CAPA,CHIP CERAMIC M/L T.C F/S	15P 50V J COG 1.6X0.8 R/TP
C549	0CH1104K942	O	O	CAPACITOR,CHIP[CERAMIC M/L HD	0.1UF 50V Z Y5V(F) 1508 R/TP
C550	0CH1104K942	O	O	CAPACITOR,CHIP[CERAMIC M/L HD	0.1UF 50V Z Y5V(F) 1508 R/TP
C551	0CH7106C611	O	O	CAPACITOR,FIXED TANTALUM	10UF 6.3V 20% 3216 TP(-)
C552	0CH1104K942	O	O	CAPACITOR,CHIP[CERAMIC M/L HD	0.1UF 50V Z Y5V(F) 1508 R/TP
C561	0CH1104K942	O	O	CAPACITOR,CHIP[CERAMIC M/L HD	0.1UF 50V Z Y5V(F) 1508 R/TP
C562	0CH1473H942	O	O	CAPA,CHIP CERAMIC M/L H.D F/S	0.0470UF 25V Z Y5V(F) 1608 R/T
C563	0CH1104K942	O	O	CAPACITOR,CHIP[CERAMIC M/L HD	0.1UF 50V Z Y5V(F) 1508 R/TP
C564	0CH1104K942	O	O	CAPACITOR,CHIP[CERAMIC M/L HD	0.1UF 50V Z Y5V(F) 1508 R/TP
C565	0CH1104K942	O	O	CAPACITOR,CHIP[CERAMIC M/L HD	0.1UF 50V Z Y5V(F) 1508 R/TP
C566	0CH8107F621	O	O	CAPA,CHIP AL.ELECTROLYTIC	100UF 16V M 6666 R/TP
C567	0CH1471K562	O	O	CAPACITOR,FIXED CERAMIC(Temp.c	470PF 50V 10% X7R(X) 1608 R/TP
C568	0CH1471K562	O	O	CAPACITOR,FIXED CERAMIC(Temp.c	470PF 50V 10% X7R(X) 1608 R/TP
C569	0CH1471K562	O	O	CAPACITOR,FIXED CERAMIC(Temp.c	470PF 50V 10% X7R(X) 1608 R/TP
C570	0CH1104K942	O	O	CAPACITOR,CHIP[CERAMIC M/L HD	0.1UF 50V Z Y5V(F) 1508 R/TP
C571	0CH1104K942	O	O	CAPACITOR,CHIP[CERAMIC M/L HD	0.1UF 50V Z Y5V(F) 1508 R/TP

LOCA.NO	PART NO.	A	B	DESCRIPTION	SPECIFICATION
C572	0CH1104K942	O	O	CAPACITOR,CHIP[CERAMIC M/L HD	0.1UF 50V Z Y5V(F) 1508 R/TP
C573	0CH8107F621	O	O	CAPA,CHIP AL.ELECTROLYTIC	100UF 16V M 6666 R/TP
C574	0CH1104K942	O	O	CAPACITOR,CHIP[CERAMIC M/L HD	0.1UF 50V Z Y5V(F) 1508 R/TP
C575	0CH8227C621	O	O	CAPACITOR,CHIP[AL. ELECTROLYTI	220UF 6.3V M 105STD (CYL) R/TP
C576	0CH1104K942	O	O	CAPACITOR,CHIP[CERAMIC M/L HD	0.1UF 50V Z Y5V(F) 1508 R/TP
C577	0CH4331K412	O	O	CAPACITOR,CHIP[CERAMIC M/L TC	330P 50V J COG 1.6X0.8 R/TP
C578	0CH1103K562	O	O	CAPACITOR,FIXED CERAMIC(Temp.c	0.01UF 50V 10% X7R(X) 1608 R/T
C579	0CH1103K562	O	O	CAPACITOR,FIXED CERAMIC(Temp.c	0.01UF 50V 10% X7R(X) 1608 R/T
C580	0CH1472K562	O	O	CAPACITOR,CHIP[CERAMIC M/L HD	4700PF 50V K X7R(X) 1608 R/TP
C581	0CH1472K562	O	O	CAPACITOR,CHIP[CERAMIC M/L HD	4700PF 50V K X7R(X) 1608 R/TP
C582	0CH4101K412	O	O	CHIP CAPA CERAMIC M/L T.C F/S	100P 50V J COG 1.6X0.8 R/TP
C591	0CH1104K942	O	O	CAPACITOR,CHIP[CERAMIC M/L HD	0.1UF 50V Z Y5V(F) 1508 R/TP
C600	0CH1104K942	O	O	CAPACITOR,CHIP[CERAMIC M/L HD	0.1UF 50V Z Y5V(F) 1508 R/TP
C601	0CH8476F611	O	O	CAPACITOR,FIXED ELECTROLYTIC	47UF 16V M 85STD(CYL) R/TP SAM
C602	0CH1104K942	O	O	CAPACITOR,CHIP[CERAMIC M/L HD	0.1UF 50V Z Y5V(F) 1508 R/TP
C603	0CH1104K942	O	O	CAPACITOR,CHIP[CERAMIC M/L HD	0.1UF 50V Z Y5V(F) 1508 R/TP
C604	0CH1104K942	O	O	CAPACITOR,CHIP[CERAMIC M/L HD	0.1UF 50V Z Y5V(F) 1508 R/TP
C605	0CH1104K942	O	O	CAPACITOR,CHIP[CERAMIC M/L HD	0.1UF 50V Z Y5V(F) 1508 R/TP
C606	0CH1104K942	O	O	CAPACITOR,CHIP[CERAMIC M/L HD	0.1UF 50V Z Y5V(F) 1508 R/TP
C607	0CH1104K942	O	O	CAPACITOR,CHIP[CERAMIC M/L HD	0.1UF 50V Z Y5V(F) 1508 R/TP
C608	0CH1104K942	O	O	CAPACITOR,CHIP[CERAMIC M/L HD	0.1UF 50V Z Y5V(F) 1508 R/TP
C609	0CH1104K942	O	O	CAPACITOR,CHIP[CERAMIC M/L HD	0.1UF 50V Z Y5V(F) 1508 R/TP
C610	0CH1104K942	O	O	CAPACITOR,CHIP[CERAMIC M/L HD	0.1UF 50V Z Y5V(F) 1508 R/TP
C611	0CH1104K942	O	O	CAPACITOR,CHIP[CERAMIC M/L HD	0.1UF 50V Z Y5V(F) 1508 R/TP
C612	0CH1104K942	O	O	CAPACITOR,CHIP[CERAMIC M/L HD	0.1UF 50V Z Y5V(F) 1508 R/TP
C613	0CH1104K942	O	O	CAPACITOR,CHIP[CERAMIC M/L HD	0.1UF 50V Z Y5V(F) 1508 R/TP
C614	0CH1104K942	O	O	CAPACITOR,CHIP[CERAMIC M/L HD	0.1UF 50V Z Y5V(F) 1508 R/TP
C615	0CH1104K942	O	O	CAPACITOR,CHIP[CERAMIC M/L HD	0.1UF 50V Z Y5V(F) 1508 R/TP
C616	0CH1104K942	O	O	CAPACITOR,CHIP[CERAMIC M/L HD	0.1UF 50V Z Y5V(F) 1508 R/TP
C617	0CH1104K942	O	O	CAPACITOR,CHIP[CERAMIC M/L HD	0.1UF 50V Z Y5V(F) 1508 R/TP
C621	0CH1104K942	O	O	CAPACITOR,CHIP[CERAMIC M/L HD	0.1UF 50V Z Y5V(F) 1508 R/TP
C623	0CH1104K942	O	O	CAPACITOR,CHIP[CERAMIC M/L HD	0.1UF 50V Z Y5V(F) 1508 R/TP
C624	0CH1104K942	O	O	CAPACITOR,CHIP[CERAMIC M/L HD	0.1UF 50V Z Y5V(F) 1508 R/TP
C625	0CH1104K942	O	O	CAPACITOR,CHIP[CERAMIC M/L HD	0.1UF 50V Z Y5V(F) 1508 R/TP
C626	0CH1104K942	O	O	CAPACITOR,CHIP[CERAMIC M/L HD	0.1UF 50V Z Y5V(F) 1508 R/TP
C628	0CH1104K946	O	O	CAPA,CHIP CERAMIC M/L H.D F/S	0.1UF 50V Z Y5V(F) 2012 R/TP
C629	0CH7106C611	O	O	CAPACITOR,FIXED TANTALUM	10UF 6.3V 20% 3216 TP(-)
C630	0CH1102K512	O	O	CAPACITOR,FIXED CERAMIC(Temp.c	1000PF 50V 10% B(5YP) 1608 R/T
C631	0CH1104K942	O	O	CAPACITOR,CHIP[CERAMIC M/L HD	0.1UF 50V Z Y5V(F) 1508 R/TP
C633	0CH1104K942	O	O	CAPACITOR,CHIP[CERAMIC M/L HD	0.1UF 50V Z Y5V(F) 1508 R/TP
C634	0CHZS-0002C	O	O	CAPACITOR,DRAWING	GRM21BF51C105ZA01L GRM40Y5V105
C635	0CH1104K942	O	O	CAPACITOR,CHIP[CERAMIC M/L HD	0.1UF 50V Z Y5V(F) 1508 R/TP
C636	0CH1104K946	O	O	CAPA,CHIP CERAMIC M/L H.D F/S	0.1UF 50V Z Y5V(F) 2012 R/TP
C638	0CH4101K416	O	O	CAPA,CHIP CERAMIC M/L T.C F/S	100P 50V J NP0 2.0*1.25 R/TP
C639	0CH4101K412	O	O	CHIP CAPA CERAMIC M/L T.C F/S	100P 50V J COG 1.6X0.8 R/TP
C640	0CH4221K412	O	O	CAPACITOR,CHIP[CERAMIC M/L TC	220P 50V J COG 1.6X0.8 R/TP
C641	0CHZS-0002C	O	O	CAPACITOR,DRAWING	GRM21BF51C105ZA01L GRM40Y5V105
C642	0CHZS-0002C	O	O	CAPACITOR,DRAWING	GRM21BF51C105ZA01L GRM40Y5V105
C643	0CH8227C621	O	O	CAPACITOR,CHIP[AL. ELECTROLYTI	220UF 6.3V M 105STD (CYL) R/TP
C680	0CH1104K942	O	O	CAPACITOR,CHIP[CERAMIC M/L HD	0.1UF 50V Z Y5V(F) 1508 R/TP
C681	0CH1104K942	O	O	CAPACITOR,CHIP[CERAMIC M/L HD	0.1UF 50V Z Y5V(F) 1508 R/TP
C691	0CH1122K562	O	O	CAPACITOR,FIXED CERAMIC(Temp.c	1200PF 50V 10% X7R(X) 1608 R/T
C692	0CHZS-0002C	O	O	CAPACITOR,DRAWING	GRM21BF51C105ZA01L GRM40Y5V105
* C506	0CH1105F946	O	O	CAPACITOR,CHIP[CERAMIC M/L HD	1UF 16V Z Y5V(F) 2012 R/TP
* C507	0CH1105F946	O	O	CAPACITOR,CHIP[CERAMIC M/L HD	1UF 16V Z Y5V(F) 2012 R/TP
* C521	0CH1105F946	O	O	CAPACITOR,CHIP[CERAMIC M/L HD	1UF 16V Z Y5V(F) 2012 R/TP
* C524	0CH1105F946	O	O	CAPACITOR,CHIP[CERAMIC M/L HD	1UF 16V Z Y5V(F) 2012 R/TP
* C532	0CH1105F946	O	O	CAPACITOR,CHIP[CERAMIC M/L HD	1UF 16V Z Y5V(F) 2012 R/TP
* C533	0CH1105F946	O	O	CAPACITOR,CHIP[CERAMIC M/L HD	1UF 16V Z Y5V(F) 2012 R/TP
* C538	0CH1105F946	O	O	CAPACITOR,CHIP[CERAMIC M/L HD	1UF 16V Z Y5V(F) 2012 R/TP
* C544	0CH1105F946	O	O	CAPACITOR,CHIP[CERAMIC M/L HD	1UF 16V Z Y5V(F) 2012 R/TP
* C634	0CH1105F946	O	O	CAPACITOR,CHIP[CERAMIC M/L HD	1UF 16V Z Y5V(F) 2012 R/TP
* C641	0CH1105F946	O	O	CAPACITOR,CHIP[CERAMIC M/L HD	1UF 16V Z Y5V(F) 2012 R/TP
* C642	0CH1105F946	O	O	CAPACITOR,CHIP[CERAMIC M/L HD	1UF 16V Z Y5V(F) 2012 R/TP
* C692	0CH1105F946	O	O	CAPACITOR,CHIP[CERAMIC M/L HD	1UF 16V Z Y5V(F) 2012 R/TP
COIL					
L501	6140H-B003G	O	O	COIL	NLC322522T-100K 10MH TDK

LOCA.NO	PART NO.	A	B	DESCRIPTION	SPECIFICATION
L502	6140H-B003G	O	O	COIL	NLC322522T-100K 10MH TDK
L503	6140H-B003G	O	O	COIL	NLC322522T-100K 10MH TDK
L504	6140H-B003G	O	O	COIL	NLC322522T-100K 10MH TDK
L505	6140H-B003G	O	O	COIL	NLC322522T-100K 10MH TDK
L506	6140H-B003G	O	O	COIL	NLC322522T-100K 10MH TDK
L507	6140H-B003G	O	O	COIL	NLC322522T-100K 10MH TDK
L508	6140H-B003G	O	O	COIL	NLC322522T-100K 10MH TDK
L509	6140H-B003G	O	O	COIL	NLC322522T-100K 10MH TDK
DIODE					
D504	0DS121009AA	O	O	DIODE,SWITCHING	KDS121 TP KEC UMT 85V 300MA 2A
D505	0DD187009AA	O	O	DIODE,DRAWING	DIODE CHIP KDS187-T1(D3) KEC
FILTER					
L510	6140H-A001A	O	O	FILTER(CIRC),EMI	BEAD C,HH-1H4532-121JT.CERATEH
L511	6140H-A001A	O	O	FILTER(CIRC),EMI	BEAD C,HH-1H4532-121JT.CERATEH
IC					
IC501	0ISO258100A	O	O	IC,SONY	CXA2581N 30PIN TP RFIC
IC502	GISO303000E	O	O	IC,SONY	CXD 3030R H-VCO 144LQFP BK 48X
IC503	6957R-0115B	O	O	PROGRAM	ADR-710 CDP PROGRAM (VER.NO: P
IC504	0IJR210000B	O	O	IC,JRC	NJM2100V DUAL OP AMP,JRC
IC505	0IMI630210A	O	O	IC,MITSUBISHI	M63021FP 42P9R TP DRIVE
IC506	0ITR613002E	O	O	IC,TOREX SEMICONDUCTOR	XC61CN3002PR 3P SOT-89 TP VOL
IC507	0ISTLXL002A	O	O	IC,STANDARD LOGIC	XCS10XL-TQ144 XILINX 144 QFP B
IC508	0ISTLKE009A	O	O	IC,STANDARD LOGIC	KIC7W53FU KEC 8PIN SM8 R/TP 2-
IC509	0IRH405300A	O	O	IC,ROHM	BU4053BCFV 16P,SSOP TP TRIPLE
IC510	0IPH740400F	O	O	IC,PHILIPS	74HCU04D SOT108-1 TP INVERTER
IC511	0IRI527000A	O	O	IC,RICOH	RN5RZ27BA-TR SOT-23-5 TP REGUL
IC512	0IRH033000A	O	O	IC,ROHM	BA033SFP P/MOLD-5 TP REGULATOR
RESISTOR					
R12	0RH0000C622	O	O	RESISTOR,METAL GLAZED(CHIP)	0 OHM 1 / 16 W 1608 5.00% D
R13	0RH0000C622	O	O	RESISTOR,METAL GLAZED(CHIP)	0 OHM 1 / 16 W 1608 5.00% D
R14	0RH0000C622	O	O	RESISTOR,METAL GLAZED(CHIP)	0 OHM 1 / 16 W 1608 5.00% D
R15	0RH0000C622	O	O	RESISTOR,METAL GLAZED(CHIP)	0 OHM 1 / 16 W 1608 5.00% D
R16	0RH0000C622	O	O	RESISTOR,METAL GLAZED(CHIP)	0 OHM 1 / 16 W 1608 5.00% D
R17	0RH0000C622	O	O	RESISTOR,METAL GLAZED(CHIP)	0 OHM 1 / 16 W 1608 5.00% D
R18	0RH0000C622	O	O	RESISTOR,METAL GLAZED(CHIP)	0 OHM 1 / 16 W 1608 5.00% D
R501	0RH0682C622	O	O	RESISTOR,METAL GLAZED(CHIP)	68 OHM 1 / 16 W 1608 5.00% D
R502	0RH0682C622	O	O	RESISTOR,METAL GLAZED(CHIP)	68 OHM 1 / 16 W 1608 5.00% D
R503	0RH0222C622	O	O	RESISTOR,METAL GLAZED(CHIP)	22 OHM 1 / 16 W 1608 5.00% D
R504	0RH1202C422	O	O	RESISTOR,METAL GLAZED(CHIP)	12K OHM 1 / 16 W 1608 1.00% D
R505	0RH1202C422	O	O	RESISTOR,METAL GLAZED(CHIP)	12K OHM 1 / 16 W 1608 1.00% D
R506	0RH1002C622	O	O	RESISTOR,METAL GLAZED(CHIP)	10K OHM 1 / 16 W 1608 5.00% D
R507	0RH0000C622	O	O	RESISTOR,METAL GLAZED(CHIP)	0 OHM 1 / 16 W 1608 5.00% D
R508	0RH0000C622	O	O	RESISTOR,METAL GLAZED(CHIP)	0 OHM 1 / 16 W 1608 5.00% D
R510	0RH1000C622	O	O	RESISTOR,METAL GLAZED(CHIP)	100 OHM 1 / 16 W 1608 5.00% D
R511	0RH1000C622	O	O	RESISTOR,METAL GLAZED(CHIP)	100 OHM 1 / 16 W 1608 5.00% D
R512	0RH1000C622	O	O	RESISTOR,METAL GLAZED(CHIP)	100 OHM 1 / 16 W 1608 5.00% D
R513	0RH6802C622	O	O	RESISTOR,METAL GLAZED(CHIP)	68K OHM 1 / 16 W 1608 5.00% D
R514	0RH4700C622	O	O	RESISTOR,METAL GLAZED(CHIP)	470 OHM 1 / 16 W 1608 5.00% D
R515	0RH1803C622	O	O	RESISTOR,METAL GLAZED(CHIP)	180K OHM 1 / 16 W 1608 5.00% D
R516	0RH3301C622	O	O	RESISTOR,METAL GLAZED(CHIP)	3.3K OHM 1 / 16 W 1608 5.00% D
R517	0RH2201C622	O	O	RESISTOR,METAL GLAZED(CHIP)	2.2K OHM 1 / 16 W 1608 5.00% D
R518	0RH1002C622	O	O	RESISTOR,METAL GLAZED(CHIP)	10K OHM 1 / 16 W 1608 5.00% D
R519	0RH8202C622	O	O	RESISTOR,METAL GLAZED(CHIP)	82K OHM 1 / 16 W 1608 5.00% D
R522	0RH3301C622	O	O	RESISTOR,METAL GLAZED(CHIP)	3.3K OHM 1 / 16 W 1608 5.00% D
R523	0RH1002C622	O	O	RESISTOR,METAL GLAZED(CHIP)	10K OHM 1 / 16 W 1608 5.00% D
R524	0RH1002C622	O	O	RESISTOR,METAL GLAZED(CHIP)	10K OHM 1 / 16 W 1608 5.00% D
R525	0RH6801C622	O	O	RESISTOR,METAL GLAZED(CHIP)	6.8K OHM 1 / 16 W 1608 5.00% D
R526	0RH1002C622	O	O	RESISTOR,METAL GLAZED(CHIP)	10K OHM 1 / 16 W 1608 5.00% D
R527	0RH1002C622	O	O	RESISTOR,METAL GLAZED(CHIP)	10K OHM 1 / 16 W 1608 5.00% D
R528	0RH3303C622	O	O	RESISTOR,METAL GLAZED(CHIP)	330K OHM 1 / 16 W 1608 5.00% D
R529	0RH3302C622	O	O	RESISTOR,METAL GLAZED(CHIP)	33K OHM 1 / 16 W 1608 5.00% D
R530	0RH3301C622	O	O	RESISTOR,METAL GLAZED(CHIP)	3.3K OHM 1 / 16 W 1608 5.00% D
R531	0RH3301C622	O	O	RESISTOR,METAL GLAZED(CHIP)	3.3K OHM 1 / 16 W 1608 5.00% D
R532	0RH1002C622	O	O	RESISTOR,METAL GLAZED(CHIP)	10K OHM 1 / 16 W 1608 5.00% D
R534	0RH3302C622	O	O	RESISTOR,METAL GLAZED(CHIP)	33K OHM 1 / 16 W 1608 5.00% D
R535	0RH1003C622	O	O	RESISTOR,METAL GLAZED(CHIP)	100K OHM 1 / 16 W 1608 5.00% D
R536	0RH1002C622	O	O	RESISTOR,METAL GLAZED(CHIP)	10K OHM 1 / 16 W 1608 5.00% D

LOCA.NO	PART NO.	A	B	DESCRIPTION	SPECIFICATION
R537	0RH1000C622	O	O	RESISTOR,METAL GLAZED(CHIP)	100 OHM 1 / 16 W 1608 5.00% D
R538	0RH1000C622	O	O	RESISTOR,METAL GLAZED(CHIP)	100 OHM 1 / 16 W 1608 5.00% D
R539	0RH1000C622	O	O	RESISTOR,METAL GLAZED(CHIP)	100 OHM 1 / 16 W 1608 5.00% D
R540	0RH1000C622	O	O	RESISTOR,METAL GLAZED(CHIP)	100 OHM 1 / 16 W 1608 5.00% D
R541	0RH1000C622	O	O	RESISTOR,METAL GLAZED(CHIP)	100 OHM 1 / 16 W 1608 5.00% D
R542	0RH1000C622	O	O	RESISTOR,METAL GLAZED(CHIP)	100 OHM 1 / 16 W 1608 5.00% D
R543	0RH1000C622	O	O	RESISTOR,METAL GLAZED(CHIP)	100 OHM 1 / 16 W 1608 5.00% D
R544	0RH4701C622	O	O	RESISTOR,METAL GLAZED(CHIP)	4.7K OHM 1 / 16 W 1608 5.00% D
R546	0RH1002C622	O	O	RESISTOR,METAL GLAZED(CHIP)	10K OHM 1 / 16 W 1608 5.00% D
R547	0RH0000C622	O	O	RESISTOR,METAL GLAZED(CHIP)	0 OHM 1 / 16 W 1608 5.00% D
R548	0RH1003C622	O	O	RESISTOR,METAL GLAZED(CHIP)	100K OHM 1 / 16 W 1608 5.00% D
R549	0RH1000C622	O	O	RESISTOR,METAL GLAZED(CHIP)	100 OHM 1 / 16 W 1608 5.00% D
R550	0RH1000C622	O	O	RESISTOR,METAL GLAZED(CHIP)	100 OHM 1 / 16 W 1608 5.00% D
R551	0RH0000C622	O	O	RESISTOR,METAL GLAZED(CHIP)	0 OHM 1 / 16 W 1608 5.00% D
R552	0RH0000C622	O	O	RESISTOR,METAL GLAZED(CHIP)	0 OHM 1 / 16 W 1608 5.00% D
R553	0RH0000C622	O	O	RESISTOR,METAL GLAZED(CHIP)	0 OHM 1 / 16 W 1608 5.00% D
R554	0RH0000C622	O	O	RESISTOR,METAL GLAZED(CHIP)	0 OHM 1 / 16 W 1608 5.00% D
R555	0RH1001C622	O	O	RESISTOR,METAL GLAZED(CHIP)	1K OHM 1 / 16 W 1608 5.00% D
R556	0RH0000C622	O	O	RESISTOR,METAL GLAZED(CHIP)	0 OHM 1 / 16 W 1608 5.00% D
R557	0RH1000C622	O	O	RESISTOR,METAL GLAZED(CHIP)	100 OHM 1 / 16 W 1608 5.00% D
R558	0RH4701C622	O	O	RESISTOR,METAL GLAZED(CHIP)	4.7K OHM 1 / 16 W 1608 5.00% D
R559	0RH1000C622	O	O	RESISTOR,METAL GLAZED(CHIP)	100 OHM 1 / 16 W 1608 5.00% D
R560	0RH1000C622	O	O	RESISTOR,METAL GLAZED(CHIP)	100 OHM 1 / 16 W 1608 5.00% D
R561	0RH4701C622	O	O	RESISTOR,METAL GLAZED(CHIP)	4.7K OHM 1 / 16 W 1608 5.00% D
R562	0RH4701C622	O	O	RESISTOR,METAL GLAZED(CHIP)	4.7K OHM 1 / 16 W 1608 5.00% D
R563	0RH4701C622	O	O	RESISTOR,METAL GLAZED(CHIP)	4.7K OHM 1 / 16 W 1608 5.00% D
R564	0RH0000C622	O	O	RESISTOR,METAL GLAZED(CHIP)	0 OHM 1 / 16 W 1608 5.00% D
R565	0RH0000C622	O	O	RESISTOR,METAL GLAZED(CHIP)	0 OHM 1 / 16 W 1608 5.00% D
R566	0RH1000C622	O	O	RESISTOR,METAL GLAZED(CHIP)	100 OHM 1 / 16 W 1608 5.00% D
R567	0RH1000C622	O	O	RESISTOR,METAL GLAZED(CHIP)	100 OHM 1 / 16 W 1608 5.00% D
R568	0RH1000C622	O	O	RESISTOR,METAL GLAZED(CHIP)	100 OHM 1 / 16 W 1608 5.00% D
R569	0RH2202C622	O	O	RESISTOR,METAL GLAZED(CHIP)	22K OHM 1 / 16 W 1608 5.00% D
R570	0RH4703C622	O	O	RESISTOR,METAL GLAZED(CHIP)	470K OHM 1 / 16 W 1608 5.00% D
R571	0RH1500C622	O	O	RESISTOR,METAL GLAZED(CHIP)	150 OHM 1 / 16 W 1608 5.00% D
R572	0RH2202C622	O	O	RESISTOR,METAL GLAZED(CHIP)	22K OHM 1 / 16 W 1608 5.00% D
R573	0RH4701C622	O	O	RESISTOR,METAL GLAZED(CHIP)	4.7K OHM 1 / 16 W 1608 5.00% D
R574	0RH4701C622	O	O	RESISTOR,METAL GLAZED(CHIP)	4.7K OHM 1 / 16 W 1608 5.00% D
R575	0RH8201C622	O	O	RESISTOR,METAL GLAZED(CHIP)	8.2K OHM 1 / 16 W 1608 5.00% D
R576	0RH3301C622	O	O	RESISTOR,METAL GLAZED(CHIP)	3.3K OHM 1 / 16 W 1608 5.00% D
R577	0RH3301C622	O	O	RESISTOR,METAL GLAZED(CHIP)	3.3K OHM 1 / 16 W 1608 5.00% D
R578	0RH8201C622	O	O	RESISTOR,METAL GLAZED(CHIP)	8.2K OHM 1 / 16 W 1608 5.00% D
R579	0RH3301C622	O	O	RESISTOR,METAL GLAZED(CHIP)	3.3K OHM 1 / 16 W 1608 5.00% D
R580	0RH3301C622	O	O	RESISTOR,METAL GLAZED(CHIP)	3.3K OHM 1 / 16 W 1608 5.00% D
R581	0RH1502C622	O	O	RESISTOR,METAL GLAZED(CHIP)	15K OHM 1 / 16 W 1608 5.00% D
R582	0RH1002C622	O	O	RESISTOR,METAL GLAZED(CHIP)	10K OHM 1 / 16 W 1608 5.00% D
R583	0RH1502C622	O	O	RESISTOR,METAL GLAZED(CHIP)	15K OHM 1 / 16 W 1608 5.00% D
R584	0RH1002C622	O	O	RESISTOR,METAL GLAZED(CHIP)	10K OHM 1 / 16 W 1608 5.00% D
R585	0RH0221D622	O	O	RESISTOR,METAL GLAZED(CHIP)	2.2 OHM 1 / 10 W 2012 5.00% D
R586	0RH0221D622	O	O	RESISTOR,METAL GLAZED(CHIP)	2.2 OHM 1 / 10 W 2012 5.00% D
R587	0RH0221D622	O	O	RESISTOR,METAL GLAZED(CHIP)	2.2 OHM 1 / 10 W 2012 5.00% D
R588	0RH0221D622	O	O	RESISTOR,METAL GLAZED(CHIP)	2.2 OHM 1 / 10 W 2012 5.00% D
R589	0RH0221D622	O	O	RESISTOR,METAL GLAZED(CHIP)	2.2 OHM 1 / 10 W 2012 5.00% D
R590	0RH0221D622	O	O	RESISTOR,METAL GLAZED(CHIP)	2.2 OHM 1 / 10 W 2012 5.00% D
R591	0RH0221D622	O	O	RESISTOR,METAL GLAZED(CHIP)	2.2 OHM 1 / 10 W 2012 5.00% D
R592	0RH2200C622	O	O	RESISTOR,METAL GLAZED(CHIP)	220 OHM 1 / 16 W 1608 5.00% D
R593	0RH2202C622	O	O	RESISTOR,METAL GLAZED(CHIP)	22K OHM 1 / 16 W 1608 5.00% D
R594	0RH2200C622	O	O	RESISTOR,METAL GLAZED(CHIP)	220 OHM 1 / 16 W 1608 5.00% D
R595	0RH1002C622	O	O	RESISTOR,METAL GLAZED(CHIP)	10K OHM 1 / 16 W 1608 5.00% D
R596	0RH1802C622	O	O	RESISTOR,METAL GLAZED(CHIP)	18K OHM 1 / 16 W 1608 5.00% D
R597	0RH1002C622	O	O	RESISTOR,METAL GLAZED(CHIP)	10K OHM 1 / 16 W 1608 5.00% D
R598	0RH1002C622	O	O	RESISTOR,METAL GLAZED(CHIP)	10K OHM 1 / 16 W 1608 5.00% D
R599	0RH2202C622	O	O	RESISTOR,METAL GLAZED(CHIP)	22K OHM 1 / 16 W 1608 5.00% D
R5K1	ORD4701F608	O	O	RESISTOR,FIXED CARBON FILM	4.7K OHM 1/6 W 5.00% TA26
R5K2	ORD4701F608	O	O	RESISTOR,FIXED CARBON FILM	4.7K OHM 1/6 W 5.00% TA26
R600	0RH1004C622	O	O	RESISTOR,METAL GLAZED(CHIP)	1M OHM 1 / 16 W 1608 5.00% D
R601	0RH4701C622	O	O	RESISTOR,METAL GLAZED(CHIP)	4.7K OHM 1 / 16 W 1608 5.00% D

LOCA.NO	PART NO.	A	B	DESCRIPTION	SPECIFICATION
RR501	0RR2200Q62A	O	O	RESISTOR,DRAWING	220 OHM 1/16 W 3216 5.00% R/TP
RR502	0RR2200Q62A	O	O	RESISTOR,DRAWING	220 OHM 1/16 W 3216 5.00% R/TP
RR503	0RR2200Q62A	O	O	RESISTOR,DRAWING	220 OHM 1/16 W 3216 5.00% R/TP
RR504	0RR2200Q62A	O	O	RESISTOR,DRAWING	220 OHM 1/16 W 3216 5.00% R/TP
RR505	0RR2200Q62A	O	O	RESISTOR,DRAWING	220 OHM 1/16 W 3216 5.00% R/TP
RR506	0RR2200Q62A	O	O	RESISTOR,DRAWING	220 OHM 1/16 W 3216 5.00% R/TP
RESONATOR					
X501	6202R-BM01A	O	O	RESONATOR,CRYSTAL	KONY 33.8688MHZ 50PPM 18PF
X502	6212HA0202A	O	O	RESONATOR,CERAMIC	MURATA 20MHZ . TP
TRANSISTOR					
Q501	0TR103709BB	O	O	TRANSISTOR	2SA1037K-Q CHIP ROHM-J
Q503	0TR144009AH	O	O	TRANSISTOR	DTC144EK CHIP ROHM-J
CD RECORD SECTION					
ASSEMBLY PARTS SECTION					
A01	4405R-D005A	O	O	MECHANISM ASSY	ACDR MAIN LOADING (CDM-700)
A10	6721R-0307A	O	O	DECK ASSY	CDM-700RW
A10-1	6871R-3028N	O	O	PWB(PCB) ASSY,TOTAL	ADR710(NAD) EVNT
A12	4405R-D007A	O	O	MECHANISM ASSY	ACDR PU UNIT (CDM-700RW)
CAPACITOR					
C101	0CH4470K412	O	O	CAPA,CHIP CERAMIC M/L T.C F/S	47P 50V J COG 1.6X0.8 R/TP
C102	0CH4270K412	O	O	CAPACITOR,CHIP[CERAMIC M/L TC	27PF 50V J NP0 1608 R/TP
C103	0CH4270K412	O	O	CAPACITOR,CHIP[CERAMIC M/L TC	27PF 50V J NP0 1608 R/TP
C104	0CH1104K942	O	O	CAPACITOR,CHIP[CERAMIC M/L HD	0.1UF 50V Z Y5V(F) 1508 R/TP
C105	0CS106HF6DC	O	O	CAPACITOR,FIXED TANTALUM	10UF 3528 16V 20% SMD R/TP(SMD
C106	0CH1104K942	O	O	CAPACITOR,CHIP[CERAMIC M/L HD	0.1UF 50V Z Y5V(F) 1508 R/TP
C107	0CS106HF6DC	O	O	CAPACITOR,FIXED TANTALUM	10UF 3528 16V 20% SMD R/TP(SMD
C108	0CH1104K942	O	O	CAPACITOR,CHIP[CERAMIC M/L HD	0.1UF 50V Z Y5V(F) 1508 R/TP
C109	0CH7106C611	O	O	CAPACITOR,FIXED TANTALUM	10UF 6.3V 20% 3216 TP(-)
C110	0CH1104K942	O	O	CAPACITOR,CHIP[CERAMIC M/L HD	0.1UF 50V Z Y5V(F) 1508 R/TP
C111	0CH7106C611	O	O	CAPACITOR,FIXED TANTALUM	10UF 6.3V 20% 3216 TP(-)
C112	0CH4070K112	O	O	CAPACITOR,FIXED CERAMIC(High d	7PF 50V 0.5 pF NP0 1608 R/TP
C113	0CH1103K562	O	O	CAPACITOR,FIXED CERAMIC(Temp.c	0.01UF 50V 10% X7R(X) 1608 R/T
C114	0CH1474F946	O	O	CAPA,CHIP CERAMIC M/L H.D F/S	0.4700UF 16V Z Y5V(F) 2012 R/T
C115	0CH1104K942	O	O	CAPACITOR,CHIP[CERAMIC M/L HD	0.1UF 50V Z Y5V(F) 1508 R/TP
C116	0CH1104K942	O	O	CAPACITOR,CHIP[CERAMIC M/L HD	0.1UF 50V Z Y5V(F) 1508 R/TP
C117	0CH4030K042	O	O	CAPACITOR,FIXED CERAMIC(High d	3P 50V C N220 1.6X0.8 R/TP
C118	0CH4030K042	O	O	CAPACITOR,FIXED CERAMIC(High d	3P 50V C N220 1.6X0.8 R/TP
C119	0CH1222K512	O	O	CAPACITOR,CHIP[CERAMIC M/L HD	2200PF 50V K B 1608 R/TP
C120	0CH1104K942	O	O	CAPACITOR,CHIP[CERAMIC M/L HD	0.1UF 50V Z Y5V(F) 1508 R/TP
C122	0CH4271K412	O	O	CAPACITOR,FIXED CERAMIC(High d	270PF 50V 5% NP0 1608 R/TP
C123	0CH1104K942	O	O	CAPACITOR,CHIP[CERAMIC M/L HD	0.1UF 50V Z Y5V(F) 1508 R/TP
C124	0CH1104K942	O	O	CAPACITOR,CHIP[CERAMIC M/L HD	0.1UF 50V Z Y5V(F) 1508 R/TP
C125	0CH4221K412	O	O	CAPACITOR,CHIP[CERAMIC M/L TC	220P 50V J COG 1.6X0.8 R/TP
C126	0CH1104K942	O	O	CAPACITOR,CHIP[CERAMIC M/L HD	0.1UF 50V Z Y5V(F) 1508 R/TP
C127	0CH1104K942	O	O	CAPACITOR,CHIP[CERAMIC M/L HD	0.1UF 50V Z Y5V(F) 1508 R/TP
C128	0CH1103K562	O	O	CAPACITOR,FIXED CERAMIC(Temp.c	0.01UF 50V 10% X7R(X) 1608 R/T
C129	0CH1104K942	O	O	CAPACITOR,CHIP[CERAMIC M/L HD	0.1UF 50V Z Y5V(F) 1508 R/TP
C130	0CH1104K942	O	O	CAPACITOR,CHIP[CERAMIC M/L HD	0.1UF 50V Z Y5V(F) 1508 R/TP
C131	0CH1104K942	O	O	CAPACITOR,CHIP[CERAMIC M/L HD	0.1UF 50V Z Y5V(F) 1508 R/TP
C132	0CH1224K514	O	O	CAPACITOR,FIXED CERAMIC(Temp.c	0.22UF 50V 10% B(5YP) 3216 R/T
C133	0CH1224K514	O	O	CAPACITOR,FIXED CERAMIC(Temp.c	0.22UF 50V 10% B(5YP) 3216 R/T
C134	0CH1333K562	O	O	CAPACITOR,CHIP[CERAMIC M/L HD	0.033UF 50V K X7R(X) 1508 R/TP
C135	0CH1104K942	O	O	CAPACITOR,CHIP[CERAMIC M/L HD	0.1UF 50V Z Y5V(F) 1508 R/TP
C136	0CH1102K512	O	O	CAPACITOR,FIXED CERAMIC(Temp.c	1000PF 50V 10% B(5YP) 1608 R/T
C137	0CH1102K512	O	O	CAPACITOR,FIXED CERAMIC(Temp.c	1000PF 50V 10% B(5YP) 1608 R/T
C138	0CH1222K512	O	O	CAPACITOR,CHIP[CERAMIC M/L HD	2200PF 50V K B 1608 R/TP
C139	0CH4221K412	O	O	CAPACITOR,CHIP[CERAMIC M/L TC	220P 50V J COG 1.6X0.8 R/TP
C140	0CH1104K942	O	O	CAPACITOR,CHIP[CERAMIC M/L HD	0.1UF 50V Z Y5V(F) 1508 R/TP
C141	0CH4331K412	O	O	CAPACITOR,CHIP[CERAMIC M/L TC	330P 50V J COG 1.6X0.8 R/TP
C142	0CH1332K512	O	O	CAPACITOR,FIXED CERAMIC(Temp.c	3300PF 50V 10% B(5YP) 1608 R/T
C143	0CH1152K512	O	O	CAPA,CHIP CERAMIC M/L H.D F/S	1500PF 50V K B 1608 R/TP
C144	0CH1104K942	O	O	CAPACITOR,CHIP[CERAMIC M/L HD	0.1UF 50V Z Y5V(F) 1508 R/TP
C145	0CH1153H562	O	O	CAPA,CHIP CERAMIC M/L H.D F/S	0.015UF 25V K X7R(X) 1508 R/TP
C146	0CH1104K942	O	O	CAPACITOR,CHIP[CERAMIC M/L HD	0.1UF 50V Z Y5V(F) 1508 R/TP
C147	0CH1104K942	O	O	CAPACITOR,CHIP[CERAMIC M/L HD	0.1UF 50V Z Y5V(F) 1508 R/TP
C148	0CH1104K942	O	O	CAPACITOR,CHIP[CERAMIC M/L HD	0.1UF 50V Z Y5V(F) 1508 R/TP

LOCA.NO	PART NO.	A	B	DESCRIPTION	SPECIFICATION
C149	0CH1154F516	O	O	CAPACITOR,FIXED CERAMIC(Temp.c	0.15UF 16V 10% B(5YP) 2012 R/T
C150	0CH1334F946	O	O	CAPACITOR,FIXED CERAMIC(Temp.c	0.33UF 16V 80%,-20% Y5V(F) 201
C151	0CH1334F946	O	O	CAPACITOR,FIXED CERAMIC(Temp.c	0.33UF 16V 80%,-20% Y5V(F) 201
C152	0CH1334F946	O	O	CAPACITOR,FIXED CERAMIC(Temp.c	0.33UF 16V 80%,-20% Y5V(F) 201
C153	0CH1104K942	O	O	CAPACITOR,CHIP[CERAMIC M/L HD	0.1UF 50V Z Y5V(F) 1508 R/TP
C154	0CH1104K942	O	O	CAPACITOR,CHIP[CERAMIC M/L HD	0.1UF 50V Z Y5V(F) 1508 R/TP
C155	0CH1104K942	O	O	CAPACITOR,CHIP[CERAMIC M/L HD	0.1UF 50V Z Y5V(F) 1508 R/TP
C156	0CH1104K942	O	O	CAPACITOR,CHIP[CERAMIC M/L HD	0.1UF 50V Z Y5V(F) 1508 R/TP
C157	0CH1104K942	O	O	CAPACITOR,CHIP[CERAMIC M/L HD	0.1UF 50V Z Y5V(F) 1508 R/TP
C158	0CH1104K942	O	O	CAPACITOR,CHIP[CERAMIC M/L HD	0.1UF 50V Z Y5V(F) 1508 R/TP
C159	0CH1104K942	O	O	CAPACITOR,CHIP[CERAMIC M/L HD	0.1UF 50V Z Y5V(F) 1508 R/TP
C160	0CH7106C611	O	O	CAPACITOR,FIXED TANTALUM	10UF 6.3V 20% 3216 TP(-)
C161	0CH1104K942	O	O	CAPACITOR,CHIP[CERAMIC M/L HD	0.1UF 50V Z Y5V(F) 1508 R/TP
C162	0CH7106C611	O	O	CAPACITOR,FIXED TANTALUM	10UF 6.3V 20% 3216 TP(-)
C163	0CH1104K942	O	O	CAPACITOR,CHIP[CERAMIC M/L HD	0.1UF 50V Z Y5V(F) 1508 R/TP
C164	0CH7106C611	O	O	CAPACITOR,FIXED TANTALUM	10UF 6.3V 20% 3216 TP(-)
C165	0CH8107F621	O	O	CAPA,CHIP AL.ELECTROLYTIC	100UF 16V M 6666 R/TP
C166	0CHZS-0002C	O	O	CAPACITOR,DRAWING	GRM21BF51C105ZA01L GRM40Y5V105
C167	0CH7106C611	O	O	CAPACITOR,FIXED TANTALUM	10UF 6.3V 20% 3216 TP(-)
C168	0CH1104K942	O	O	CAPACITOR,CHIP[CERAMIC M/L HD	0.1UF 50V Z Y5V(F) 1508 R/TP
C169	0CH4151K412	O	O	CAPA,CHIP CERAMIC M/L T.C F/S	150P 50V J COG 1.6X0.8 R/TP
C170	0CH4151K412	O	O	CAPA,CHIP CERAMIC M/L T.C F/S	150P 50V J COG 1.6X0.8 R/TP
C171	0CH4151K412	O	O	CAPA,CHIP CERAMIC M/L T.C F/S	150P 50V J COG 1.6X0.8 R/TP
C180	0CH1104K942	O	O	CAPACITOR,CHIP[CERAMIC M/L HD	0.1UF 50V Z Y5V(F) 1508 R/TP
C191	0CH1103K562	O	O	CAPACITOR,FIXED CERAMIC(Temp.c	0.01UF 50V 10% X7R(X) 1608 R/T
C192	0CH1103K562	O	O	CAPACITOR,FIXED CERAMIC(Temp.c	0.01UF 50V 10% X7R(X) 1608 R/T
C200	0CH1103K562	O	O	CAPACITOR,FIXED CERAMIC(Temp.c	0.01UF 50V 10% X7R(X) 1608 R/T
C201	0CH1103K562	O	O	CAPACITOR,FIXED CERAMIC(Temp.c	0.01UF 50V 10% X7R(X) 1608 R/T
C202	0CH1103K562	O	O	CAPACITOR,FIXED CERAMIC(Temp.c	0.01UF 50V 10% X7R(X) 1608 R/T
C203	0CH1104K942	O	O	CAPACITOR,CHIP[CERAMIC M/L HD	0.1UF 50V Z Y5V(F) 1508 R/TP
C204	0CH1562K566	O	O	CAPACITOR,FIXED CERAMIC(Temp.c	5600PF 50V 10% X7R(X) 2012 R/T
C205	0CH1562K566	O	O	CAPACITOR,FIXED CERAMIC(Temp.c	5600PF 50V 10% X7R(X) 2012 R/T
C206	0CH1682K562	O	O	CAPACITOR,CHIP[CERAMIC M/L HD	6800P 50V K X7R 1.6X0.8 R/TP
C207	0CH1682K562	O	O	CAPACITOR,CHIP[CERAMIC M/L HD	6800P 50V K X7R 1.6X0.8 R/TP
C209	0CH1104K942	O	O	CAPACITOR,CHIP[CERAMIC M/L HD	0.1UF 50V Z Y5V(F) 1508 R/TP
C210	0CH1103K562	O	O	CAPACITOR,FIXED CERAMIC(Temp.c	0.01UF 50V 10% X7R(X) 1608 R/T
C211	0CH1104K942	O	O	CAPACITOR,CHIP[CERAMIC M/L HD	0.1UF 50V Z Y5V(F) 1508 R/TP
C212	0CH1104K942	O	O	CAPACITOR,CHIP[CERAMIC M/L HD	0.1UF 50V Z Y5V(F) 1508 R/TP
C213	0CH1104K942	O	O	CAPACITOR,CHIP[CERAMIC M/L HD	0.1UF 50V Z Y5V(F) 1508 R/TP
C214	0CH1104K942	O	O	CAPACITOR,CHIP[CERAMIC M/L HD	0.1UF 50V Z Y5V(F) 1508 R/TP
C215	0CH1104K942	O	O	CAPACITOR,CHIP[CERAMIC M/L HD	0.1UF 50V Z Y5V(F) 1508 R/TP
C216	0CH1473H942	O	O	CAPA,CHIP CERAMIC M/L H.D F/S	0.0470UF 25V Z Y5V(F) 1608 R/T
C217	0CH1473H942	O	O	CAPA,CHIP CERAMIC M/L H.D F/S	0.0470UF 25V Z Y5V(F) 1608 R/T
C218	0CH1473H942	O	O	CAPA,CHIP CERAMIC M/L H.D F/S	0.0470UF 25V Z Y5V(F) 1608 R/T
C219	0CH1474F946	O	O	CAPA,CHIP CERAMIC M/L H.D F/S	0.4700UF 16V Z Y5V(F) 2012 R/T
C220	0CH1104K942	O	O	CAPACITOR,CHIP[CERAMIC M/L HD	0.1UF 50V Z Y5V(F) 1508 R/TP
C221	0CH1104K942	O	O	CAPACITOR,CHIP[CERAMIC M/L HD	0.1UF 50V Z Y5V(F) 1508 R/TP
C222	0CH8107F621	O	O	CAPA,CHIP AL.ELECTROLYTIC	100UF 16V M 6666 R/TP
C223	0CH1104K942	O	O	CAPACITOR,CHIP[CERAMIC M/L HD	0.1UF 50V Z Y5V(F) 1508 R/TP
C224	0CH8107F621	O	O	CAPA,CHIP AL.ELECTROLYTIC	100UF 16V M 6666 R/TP
C225	0CH1222K512	O	O	CAPACITOR,CHIP[CERAMIC M/L HD	2200PF 50V K B 1608 R/TP
C226	0CH1474F946	O	O	CAPA,CHIP CERAMIC M/L H.D F/S	0.4700UF 16V Z Y5V(F) 2012 R/T
C227	0CH1104K942	O	O	CAPACITOR,CHIP[CERAMIC M/L HD	0.1UF 50V Z Y5V(F) 1508 R/TP
C229	0CH1104K942	O	O	CAPACITOR,CHIP[CERAMIC M/L HD	0.1UF 50V Z Y5V(F) 1508 R/TP
C230	0CH1104K942	O	O	CAPACITOR,CHIP[CERAMIC M/L HD	0.1UF 50V Z Y5V(F) 1508 R/TP
C231	0CH1104K942	O	O	CAPACITOR,CHIP[CERAMIC M/L HD	0.1UF 50V Z Y5V(F) 1508 R/TP
C232	0CH8107F621	O	O	CAPA,CHIP AL.ELECTROLYTIC	100UF 16V M 6666 R/TP
C234	0CH4101K412	O	O	CHIP CAPA CERAMIC M/L T.C F/S	100P 50V J COG 1.6X0.8 R/TP
C236	0CH1104K942	O	O	CAPACITOR,CHIP[CERAMIC M/L HD	0.1UF 50V Z Y5V(F) 1508 R/TP
C237	0CH1104K942	O	O	CAPACITOR,CHIP[CERAMIC M/L HD	0.1UF 50V Z Y5V(F) 1508 R/TP
C238	0CH1104K942	O	O	CAPACITOR,CHIP[CERAMIC M/L HD	0.1UF 50V Z Y5V(F) 1508 R/TP
C239	0CH1104K942	O	O	CAPACITOR,CHIP[CERAMIC M/L HD	0.1UF 50V Z Y5V(F) 1508 R/TP
C240	0CH1104K942	O	O	CAPACITOR,CHIP[CERAMIC M/L HD	0.1UF 50V Z Y5V(F) 1508 R/TP
C241	0CH1104K942	O	O	CAPACITOR,CHIP[CERAMIC M/L HD	0.1UF 50V Z Y5V(F) 1508 R/TP
C242	0CH8107F621	O	O	CAPA,CHIP AL.ELECTROLYTIC	100UF 16V M 6666 R/TP
C245	0CH1104K942	O	O	CAPACITOR,CHIP[CERAMIC M/L HD	0.1UF 50V Z Y5V(F) 1508 R/TP

LOCA.NO	PART NO.	A	B	DESCRIPTION	SPECIFICATION
C246	0CH1104K942	O	O	CAPACITOR,CHIP[CERAMIC M/L HD	0.1UF 50V Z Y5V(F) 1508 R/TP
C250	0CH1104K942	O	O	CAPACITOR,CHIP[CERAMIC M/L HD	0.1UF 50V Z Y5V(F) 1508 R/TP
C251	0CH1104K942	O	O	CAPACITOR,CHIP[CERAMIC M/L HD	0.1UF 50V Z Y5V(F) 1508 R/TP
C252	0CH1104K942	O	O	CAPACITOR,CHIP[CERAMIC M/L HD	0.1UF 50V Z Y5V(F) 1508 R/TP
C253	0CH7106C611	O	O	CAPACITOR,FIXED TANTALUM	10UF 6.3V 20% 3216 TP(-)
C254	0CH7106C611	O	O	CAPACITOR,FIXED TANTALUM	10UF 6.3V 20% 3216 TP(-)
C255	0CH1104K942	O	O	CAPACITOR,CHIP[CERAMIC M/L HD	0.1UF 50V Z Y5V(F) 1508 R/TP
C256	0CH1104K942	O	O	CAPACITOR,CHIP[CERAMIC M/L HD	0.1UF 50V Z Y5V(F) 1508 R/TP
C282	0CH1104K942	O	O	CAPACITOR,CHIP[CERAMIC M/L HD	0.1UF 50V Z Y5V(F) 1508 R/TP
C283	0CH1104K942	O	O	CAPACITOR,CHIP[CERAMIC M/L HD	0.1UF 50V Z Y5V(F) 1508 R/TP
C284	0CH1104K942	O	O	CAPACITOR,CHIP[CERAMIC M/L HD	0.1UF 50V Z Y5V(F) 1508 R/TP
C285	0CH1104K942	O	O	CAPACITOR,CHIP[CERAMIC M/L HD	0.1UF 50V Z Y5V(F) 1508 R/TP
C286	0CH1104K942	O	O	CAPACITOR,CHIP[CERAMIC M/L HD	0.1UF 50V Z Y5V(F) 1508 R/TP
C287	0CH1104K942	O	O	CAPACITOR,CHIP[CERAMIC M/L HD	0.1UF 50V Z Y5V(F) 1508 R/TP
C288	0CH1104K942	O	O	CAPACITOR,CHIP[CERAMIC M/L HD	0.1UF 50V Z Y5V(F) 1508 R/TP
C289	0CH1104K942	O	O	CAPACITOR,CHIP[CERAMIC M/L HD	0.1UF 50V Z Y5V(F) 1508 R/TP
C290	0CH1104K942	O	O	CAPACITOR,CHIP[CERAMIC M/L HD	0.1UF 50V Z Y5V(F) 1508 R/TP
C291	0CH1104K942	O	O	CAPACITOR,CHIP[CERAMIC M/L HD	0.1UF 50V Z Y5V(F) 1508 R/TP
C292	0CH1104K942	O	O	CAPACITOR,CHIP[CERAMIC M/L HD	0.1UF 50V Z Y5V(F) 1508 R/TP
C293	0CH7106C611	O	O	CAPACITOR,FIXED TANTALUM	10UF 6.3V 20% 3216 TP(-)
C294	0CH1104K942	O	O	CAPACITOR,CHIP[CERAMIC M/L HD	0.1UF 50V Z Y5V(F) 1508 R/TP
C295	0CH1104K942	O	O	CAPACITOR,CHIP[CERAMIC M/L HD	0.1UF 50V Z Y5V(F) 1508 R/TP
C296	0CH1104K942	O	O	CAPACITOR,CHIP[CERAMIC M/L HD	0.1UF 50V Z Y5V(F) 1508 R/TP
C297	0CH1104K942	O	O	CAPACITOR,CHIP[CERAMIC M/L HD	0.1UF 50V Z Y5V(F) 1508 R/TP
C300	0CH1104K942	O	O	CAPACITOR,CHIP[CERAMIC M/L HD	0.1UF 50V Z Y5V(F) 1508 R/TP
C301	0CH1102K512	O	O	CAPACITOR,FIXED CERAMIC(Temp.c	1000PF 50V 10% B(5YP) 1608 R/T
C302	0CH1472K562	O	O	CAPACITOR,CHIP[CERAMIC M/L HD	4700PF 50V K X7R(X) 1608 R/TP
C303	0CH1103K562	O	O	CAPACITOR,FIXED CERAMIC(Temp.c	0.01UF 50V 10% X7R(X) 1608 R/T
C304	0CH1332K512	O	O	CAPACITOR,FIXED CERAMIC(Temp.c	3300PF 50V 10% B(5YP) 1608 R/T
C305	0CH1104K942	O	O	CAPACITOR,CHIP[CERAMIC M/L HD	0.1UF 50V Z Y5V(F) 1508 R/TP
C306	0CH1472K562	O	O	CAPACITOR,CHIP[CERAMIC M/L HD	4700PF 50V K X7R(X) 1608 R/TP
C307	0CH1104K942	O	O	CAPACITOR,CHIP[CERAMIC M/L HD	0.1UF 50V Z Y5V(F) 1508 R/TP
C308	0CH1104K942	O	O	CAPACITOR,CHIP[CERAMIC M/L HD	0.1UF 50V Z Y5V(F) 1508 R/TP
C309	0CH1104K942	O	O	CAPACITOR,CHIP[CERAMIC M/L HD	0.1UF 50V Z Y5V(F) 1508 R/TP
C313	0CH4100K412	O	O	CAPACITOR,CHIP[CERAMIC M/L TC	10PF 50V J NP0 1608 R/TP
C314	0CH1104K942	O	O	CAPACITOR,CHIP[CERAMIC M/L HD	0.1UF 50V Z Y5V(F) 1508 R/TP
C315	0CH1104K942	O	O	CAPACITOR,CHIP[CERAMIC M/L HD	0.1UF 50V Z Y5V(F) 1508 R/TP
C316	0CHZS-0002C	O	O	CAPACITOR,DRAWING	GRM21BF51C105ZA01L GRM40Y5V105
C317	0CH8107F621	O	O	CAPA,CHIP AL.ELECTROLYTIC	100UF 16V M 6666 R/TP
C318	0CHZS-0002C	O	O	CAPACITOR,DRAWING	GRM21BF51C105ZA01L GRM40Y5V105
C319	0CH8107F621	O	O	CAPA,CHIP AL.ELECTROLYTIC	100UF 16V M 6666 R/TP
C320	0CH4101K412	O	O	CHIP CAPA CERAMIC M/L T.C F/S	100P 50V J COG 1.6X0.8 R/TP
C321	0CH7106C611	O	O	CAPACITOR,FIXED TANTALUM	10UF 6.3V 20% 3216 TP(-)
C322	0CH1104K942	O	O	CAPACITOR,CHIP[CERAMIC M/L HD	0.1UF 50V Z Y5V(F) 1508 R/TP
C323	0CH1104K942	O	O	CAPACITOR,CHIP[CERAMIC M/L HD	0.1UF 50V Z Y5V(F) 1508 R/TP
C324	0CH1104K942	O	O	CAPACITOR,CHIP[CERAMIC M/L HD	0.1UF 50V Z Y5V(F) 1508 R/TP
C325	0CH1103K562	O	O	CAPACITOR,FIXED CERAMIC(Temp.c	0.01UF 50V 10% X7R(X) 1608 R/T
C340	0CH1104K942	O	O	CAPACITOR,CHIP[CERAMIC M/L HD	0.1UF 50V Z Y5V(F) 1508 R/TP
C342	0CH4101K412	O	O	CHIP CAPA CERAMIC M/L T.C F/S	100P 50V J COG 1.6X0.8 R/TP
C343	0CH1104K942	O	O	CAPACITOR,CHIP[CERAMIC M/L HD	0.1UF 50V Z Y5V(F) 1508 R/TP
C344	0CH1104K942	O	O	CAPACITOR,CHIP[CERAMIC M/L HD	0.1UF 50V Z Y5V(F) 1508 R/TP
C345	0CH7106C611	O	O	CAPACITOR,FIXED TANTALUM	10UF 6.3V 20% 3216 TP(-)
C346	0CH1104K942	O	O	CAPACITOR,CHIP[CERAMIC M/L HD	0.1UF 50V Z Y5V(F) 1508 R/TP
C347	0CH7106C611	O	O	CAPACITOR,FIXED TANTALUM	10UF 6.3V 20% 3216 TP(-)
C348	0CH1104K942	O	O	CAPACITOR,CHIP[CERAMIC M/L HD	0.1UF 50V Z Y5V(F) 1508 R/TP
C349	0CH7106C611	O	O	CAPACITOR,FIXED TANTALUM	10UF 6.3V 20% 3216 TP(-)
C350	0CH1473H942	O	O	CAPA,CHIP CERAMIC M/L H.D F/S	0.0470UF 25V Z Y5V(F) 1608 R/T
C351	0CH1104K942	O	O	CAPACITOR,CHIP[CERAMIC M/L HD	0.1UF 50V Z Y5V(F) 1508 R/TP
C352	0CH1473H942	O	O	CAPA,CHIP CERAMIC M/L H.D F/S	0.0470UF 25V Z Y5V(F) 1608 R/T
C353	0CH1103K562	O	O	CAPACITOR,FIXED CERAMIC(Temp.c	0.01UF 50V 10% X7R(X) 1608 R/T
C354	0CH1104K942	O	O	CAPACITOR,CHIP[CERAMIC M/L HD	0.1UF 50V Z Y5V(F) 1508 R/TP
C355	0CH1103K562	O	O	CAPACITOR,FIXED CERAMIC(Temp.c	0.01UF 50V 10% X7R(X) 1608 R/T
C356	0CH1104K942	O	O	CAPACITOR,CHIP[CERAMIC M/L HD	0.1UF 50V Z Y5V(F) 1508 R/TP
C357	0CH1104K942	O	O	CAPACITOR,CHIP[CERAMIC M/L HD	0.1UF 50V Z Y5V(F) 1508 R/TP
C358	0CH1104K942	O	O	CAPACITOR,CHIP[CERAMIC M/L HD	0.1UF 50V Z Y5V(F) 1508 R/TP
C359	0CH4150K412	O	O	CAPA,CHIP CERAMIC M/L T.C F/S	15P 50V J COG 1.6X0.8 R/TP

LOCA.NO	PART NO.	A	B	DESCRIPTION	SPECIFICATION
C360	0CH4150K412	O	O	CAPA,CHIP CERAMIC M/L T.C F/S	15P 50V J COG 1.6X0.8 R/TP
C361	0CHZS-0002C	O	O	CAPACITOR,DRAWING	GRM21BF51C105ZA01L GRM40Y5V105
C362	0CH7106C611	O	O	CAPACITOR,FIXED TANTALUM	10UF 6.3V 20% 3216 TP(-)
C363	0CHZS-0002C	O	O	CAPACITOR,DRAWING	GRM21BF51C105ZA01L GRM40Y5V105
C364	0CH1104K942	O	O	CAPACITOR,CHIP[CERAMIC M/L HD	0.1UF 50V Z Y5V(F) 1508 R/TP
C365	0CH1104K942	O	O	CAPACITOR,CHIP[CERAMIC M/L HD	0.1UF 50V Z Y5V(F) 1508 R/TP
C366	0CH1104K942	O	O	CAPACITOR,CHIP[CERAMIC M/L HD	0.1UF 50V Z Y5V(F) 1508 R/TP
C401	0CH1104K942	O	O	CAPACITOR,CHIP[CERAMIC M/L HD	0.1UF 50V Z Y5V(F) 1508 R/TP
C402	0CH1104K942	O	O	CAPACITOR,CHIP[CERAMIC M/L HD	0.1UF 50V Z Y5V(F) 1508 R/TP
C403	0CH1104K942	O	O	CAPACITOR,CHIP[CERAMIC M/L HD	0.1UF 50V Z Y5V(F) 1508 R/TP
C404	0CH1104K942	O	O	CAPACITOR,CHIP[CERAMIC M/L HD	0.1UF 50V Z Y5V(F) 1508 R/TP
C405	0CH1104K942	O	O	CAPACITOR,CHIP[CERAMIC M/L HD	0.1UF 50V Z Y5V(F) 1508 R/TP
C406	0CH1104K942	O	O	CAPACITOR,CHIP[CERAMIC M/L HD	0.1UF 50V Z Y5V(F) 1508 R/TP
C407	0CH1104K942	O	O	CAPACITOR,CHIP[CERAMIC M/L HD	0.1UF 50V Z Y5V(F) 1508 R/TP
C408	0CH1104K942	O	O	CAPACITOR,CHIP[CERAMIC M/L HD	0.1UF 50V Z Y5V(F) 1508 R/TP
C409	0CH1104K942	O	O	CAPACITOR,CHIP[CERAMIC M/L HD	0.1UF 50V Z Y5V(F) 1508 R/TP
C410	0CH1104K942	O	O	CAPACITOR,CHIP[CERAMIC M/L HD	0.1UF 50V Z Y5V(F) 1508 R/TP
C411	0CH1104K942	O	O	CAPACITOR,CHIP[CERAMIC M/L HD	0.1UF 50V Z Y5V(F) 1508 R/TP
C412	0CH1104K942	O	O	CAPACITOR,CHIP[CERAMIC M/L HD	0.1UF 50V Z Y5V(F) 1508 R/TP
C413	0CH1104K942	O	O	CAPACITOR,CHIP[CERAMIC M/L HD	0.1UF 50V Z Y5V(F) 1508 R/TP
C414	0CH1104K942	O	O	CAPACITOR,CHIP[CERAMIC M/L HD	0.1UF 50V Z Y5V(F) 1508 R/TP
C415	0CH1104K942	O	O	CAPACITOR,CHIP[CERAMIC M/L HD	0.1UF 50V Z Y5V(F) 1508 R/TP
C416	0CH1104K942	O	O	CAPACITOR,CHIP[CERAMIC M/L HD	0.1UF 50V Z Y5V(F) 1508 R/TP
C417	0CH8107F621	O	O	CAPA,CHIP AL.ELECTROLYTIC	100UF 16V M 6666 R/TP
C418	0CH4151K412	O	O	CAPA,CHIP CERAMIC M/L T.C F/S	150P 50V J COG 1.6X0.8 R/TP
C419	0CH1104K942	O	O	CAPACITOR,CHIP[CERAMIC M/L HD	0.1UF 50V Z Y5V(F) 1508 R/TP
C420	0CH1104K942	O	O	CAPACITOR,CHIP[CERAMIC M/L HD	0.1UF 50V Z Y5V(F) 1508 R/TP
C421	0CH4100K112	O	O	CHIP CAPA CERAMIC M/L T.C F/S	10P 50V D COG 1.6X0.8 R/TP
C422	0CH1104K942	O	O	CAPACITOR,CHIP[CERAMIC M/L HD	0.1UF 50V Z Y5V(F) 1508 R/TP
C423	0CH1104K942	O	O	CAPACITOR,CHIP[CERAMIC M/L HD	0.1UF 50V Z Y5V(F) 1508 R/TP
C424	0CHZS-0002C	O	O	CAPACITOR,DRAWING	GRM21BF51C105ZA01L GRM40Y5V105
C425	0CHZS-0002C	O	O	CAPACITOR,DRAWING	GRM21BF51C105ZA01L GRM40Y5V105
C426	0CH7476C621	O	O	CAPACITOR,CHIP[TANTALUM]	47UF 6.3V M 3528 TP(-)
C427	0CH1104K942	O	O	CAPACITOR,CHIP[CERAMIC M/L HD	0.1UF 50V Z Y5V(F) 1508 R/TP
C428	0CHZS-0002C	O	O	CAPACITOR,DRAWING	GRM21BF51C105ZA01L GRM40Y5V105
C429	0CH1104K942	O	O	CAPACITOR,CHIP[CERAMIC M/L HD	0.1UF 50V Z Y5V(F) 1508 R/TP
C430	0CHZS-0002C	O	O	CAPACITOR,DRAWING	GRM21BF51C105ZA01L GRM40Y5V105
C431	0CH7225F611	O	O	CAPACITOR,FIXED TANTALUM	2.2UF 16V 20% 3216 TP(-)
C432	0CH1471K562	O	O	CAPACITOR,FIXED CERAMIC(Temp.c	470PF 50V 10% X7R(X) 1608 R/TP
C433	0CHZS-0002C	O	O	CAPACITOR,DRAWING	GRM21BF51C105ZA01L GRM40Y5V105
C434	0CH1104K942	O	O	CAPACITOR,CHIP[CERAMIC M/L HD	0.1UF 50V Z Y5V(F) 1508 R/TP
C435	0CHZS-0002C	O	O	CAPACITOR,DRAWING	GRM21BF51C105ZA01L GRM40Y5V105
C436	0CH1104K942	O	O	CAPACITOR,CHIP[CERAMIC M/L HD	0.1UF 50V Z Y5V(F) 1508 R/TP
C437	0CH1104K942	O	O	CAPACITOR,CHIP[CERAMIC M/L HD	0.1UF 50V Z Y5V(F) 1508 R/TP
C438	0CH1104K942	O	O	CAPACITOR,CHIP[CERAMIC M/L HD	0.1UF 50V Z Y5V(F) 1508 R/TP
C439	0CH1103K562	O	O	CAPACITOR,FIXED CERAMIC(Temp.c	0.01UF 50V 10% X7R(X) 1608 R/T
C440	0CH1103K562	O	O	CAPACITOR,FIXED CERAMIC(Temp.c	0.01UF 50V 10% X7R(X) 1608 R/T
C441	0CH1104K942	O	O	CAPACITOR,CHIP[CERAMIC M/L HD	0.1UF 50V Z Y5V(F) 1508 R/TP
C442	0CH7106C611	O	O	CAPACITOR,FIXED TANTALUM	10UF 6.3V 20% 3216 TP(-)
C443	0CH1104K942	O	O	CAPACITOR,CHIP[CERAMIC M/L HD	0.1UF 50V Z Y5V(F) 1508 R/TP
C444	0CH7106C611	O	O	CAPACITOR,FIXED TANTALUM	10UF 6.3V 20% 3216 TP(-)
C445	0CH1822K562	O	O	CAPACITOR,FIXED CERAMIC(Temp.c	8200PF 50V 10% X7R(X) 1608 R/T
C446	0CH1104K942	O	O	CAPACITOR,CHIP[CERAMIC M/L HD	0.1UF 50V Z Y5V(F) 1508 R/TP
C447	0CH1104K942	O	O	CAPACITOR,CHIP[CERAMIC M/L HD	0.1UF 50V Z Y5V(F) 1508 R/TP
C448	0CH4151K412	O	O	CAPA,CHIP CERAMIC M/L T.C F/S	150P 50V J COG 1.6X0.8 R/TP
C449	0CH1104K942	O	O	CAPACITOR,CHIP[CERAMIC M/L HD	0.1UF 50V Z Y5V(F) 1508 R/TP
C450	0CH1104K942	O	O	CAPACITOR,CHIP[CERAMIC M/L HD	0.1UF 50V Z Y5V(F) 1508 R/TP
C451	0CH4151K412	O	O	CAPA,CHIP CERAMIC M/L T.C F/S	150P 50V J COG 1.6X0.8 R/TP
C452	0CHZS-0002C	O	O	CAPACITOR,DRAWING	GRM21BF51C105ZA01L GRM40Y5V105
C453	0CH1104K942	O	O	CAPACITOR,CHIP[CERAMIC M/L HD	0.1UF 50V Z Y5V(F) 1508 R/TP
C454	0CH8107F621	O	O	CAPA,CHIP AL.ELECTROLYTIC	100UF 16V M 6666 R/TP
C455	0CH4151K412	O	O	CAPA,CHIP CERAMIC M/L T.C F/S	150P 50V J COG 1.6X0.8 R/TP
C456	0CH4151K412	O	O	CAPA,CHIP CERAMIC M/L T.C F/S	150P 50V J COG 1.6X0.8 R/TP
C459	0CH4101K412	O	O	CHIP CAPA CERAMIC M/L T.C F/S	100P 50V J COG 1.6X0.8 R/TP
C460	0CH4101K412	O	O	CHIP CAPA CERAMIC M/L T.C F/S	100P 50V J COG 1.6X0.8 R/TP
C461	0CH4101K412	O	O	CHIP CAPA CERAMIC M/L T.C F/S	100P 50V J COG 1.6X0.8 R/TP

LOCA.NO	PART NO.	A	B	DESCRIPTION	SPECIFICATION
C462	0CH1102K512	O	O	CAPACITOR,FIXED CERAMIC(Temp.c	1000PF 50V 10% B(5YP) 1608 R/T
C463	0CH8227C621	O	O	CAPACITOR,CHIP[AL. ELECTROLYTI	220UF 6.3V M 105STD (CYL) R/TP
C464	0CH1104K942	O	O	CAPACITOR,CHIP[CERAMIC M/L HD	0.1UF 50V Z Y5V(F) 1508 R/TP
C465	0CH8227C621	O	O	CAPACITOR,CHIP[AL. ELECTROLYTI	220UF 6.3V M 105STD (CYL) R/TP
C466	0CH1104K942	O	O	CAPACITOR,CHIP[CERAMIC M/L HD	0.1UF 50V Z Y5V(F) 1508 R/TP
C467	0CH8107F621	O	O	CAPA,CHIP AL.ELECTROLYTIC	100UF 16V M 6666 R/TP
C468	0CH1104K942	O	O	CAPACITOR,CHIP[CERAMIC M/L HD	0.1UF 50V Z Y5V(F) 1508 R/TP
C469	0CH4101K412	O	O	CHIP CAPA CERAMIC M/L T.C F/S	100P 50V J COG 1.6X0.8 R/TP
C470	0CH4330K412	O	O	CAPACITOR,CHIP[CERAMIC M/L TC	33P 50V J COG 1.6X0.8 R/TP
C471	0CH4330K412	O	O	CAPACITOR,CHIP[CERAMIC M/L TC	33P 50V J COG 1.6X0.8 R/TP
C472	0CH4101K412	O	O	CHIP CAPA CERAMIC M/L T.C F/S	100P 50V J COG 1.6X0.8 R/TP
* C166	0CH1105F946	O	O	CAPACITOR,CHIP[CERAMIC M/L HD	1UF 16V Z Y5V(F) 2012 R/TP
* C316	0CH1105F946	O	O	CAPACITOR,CHIP[CERAMIC M/L HD	1UF 16V Z Y5V(F) 2012 R/TP
* C318	0CH1105F946	O	O	CAPACITOR,CHIP[CERAMIC M/L HD	1UF 16V Z Y5V(F) 2012 R/TP
* C361	0CH1105F946	O	O	CAPACITOR,CHIP[CERAMIC M/L HD	1UF 16V Z Y5V(F) 2012 R/TP
* C363	0CH1105F946	O	O	CAPACITOR,CHIP[CERAMIC M/L HD	1UF 16V Z Y5V(F) 2012 R/TP
* C424	0CH1105F946	O	O	CAPACITOR,CHIP[CERAMIC M/L HD	1UF 16V Z Y5V(F) 2012 R/TP
* C425	0CH1105F946	O	O	CAPACITOR,CHIP[CERAMIC M/L HD	1UF 16V Z Y5V(F) 2012 R/TP
* C428	0CH1105F946	O	O	CAPACITOR,CHIP[CERAMIC M/L HD	1UF 16V Z Y5V(F) 2012 R/TP
* C430	0CH1105F946	O	O	CAPACITOR,CHIP[CERAMIC M/L HD	1UF 16V Z Y5V(F) 2012 R/TP
* C433	0CH1105F946	O	O	CAPACITOR,CHIP[CERAMIC M/L HD	1UF 16V Z Y5V(F) 2012 R/TP
* C435	0CH1105F946	O	O	CAPACITOR,CHIP[CERAMIC M/L HD	1UF 16V Z Y5V(F) 2012 R/TP
* C452	0CH1105F946	O	O	CAPACITOR,CHIP[CERAMIC M/L HD	1UF 16V Z Y5V(F) 2012 R/TP
COIL					
L101	6140H-B003G	O	O	COIL	NLC322522T-100K 10MH TDK
L102	6140H-B003G	O	O	COIL	NLC322522T-100K 10MH TDK
L103	6140H-B003G	O	O	COIL	NLC322522T-100K 10MH TDK
L301	6140H-B003G	O	O	COIL	NLC322522T-100K 10MH TDK
L302	6140H-B003G	O	O	COIL	NLC322522T-100K 10MH TDK
L401	6140H-B003G	O	O	COIL	NLC322522T-100K 10MH TDK
L402	6140H-B003G	O	O	COIL	NLC322522T-100K 10MH TDK
L403	6140H-B003G	O	O	COIL	NLC322522T-100K 10MH TDK
DIODE					
D101	0DS121009AA	O	O	DIODE,SWITCHING	KDS121 TP KEC UMT 85V 300MA 2A
D301	0DS121009AA	O	O	DIODE,SWITCHING	KDS121 TP KEC UMT 85V 300MA 2A
FILTER					
L463	6140H-A001A	O	O	FILTER(CIRC),EMI	BEAD C,HH-1H4532-121JT.CERATEH
L464	6140H-A001A	O	O	FILTER(CIRC),EMI	BEAD C,HH-1H4532-121JT.CERATEH
IC					
IC101	0IJR341400E	O	O	IC,JRC	NJN3414V SIP-8 TP DUAL OP AMP
IC102	0IJR340400B	O	O	IC,JRC	NJM3404AV SIP-8 TP SINGLE-SUPP
IC103	0ILNRKA001A	O	O	IC,LINEAR	KM4200IC8-TR3 KOTA 8P SOIC R/T
IC104	0IJR340300A	O	O	IC,JRC	NJM3403AV-TE1 OP AMP
IC105	0IJR290300D	O	O	IC,JRC	NJM2903V-TE1 8P SSOP TP COMPAR
IC106	0INS766500A	O	O	IC,NATIONAL SEMICONDUCTOR	NC7SZ66M5X SOT23 TP SINGLE BIL
IC107	0ITO708000D	O	O	IC,TOSHIBA	TC7W08FUDUAL 2 INPUT AND GATE
IC108	0ISO255100A	O	O	IC,SONY	CXA2551R 100PIN LQFP TP RF AMP
IC109	0INS766500A	O	O	IC,NATIONAL SEMICONDUCTOR	NC7SZ66M5X SOT23 TP SINGLE BIL
IC110	0IMI623520A	O	O	IC,MITSUBISHI	M62352GP 20P SSOP TP 12CH D/A
IC201	0IRH592500A	O	O	IC,ROHM	BA5925FV SSOP-B28 TP SLED
IC202	0IRH666400A	O	O	IC,ROHM	BA6664FM HSOP28 TP NOTOR DRIVE
IC203	0IRH598300A	O	O	IC,ROHM	BA5983FM HSOP28 TP DRIVE METAL
IC204	0IJR780800C	O	O	IC,JRC	NJM7808DLA 3 TP REGULATOR
IC205	0IJR780800C	O	O	IC,JRC	NJM7808DLA 3 TP REGULATOR
IC206	0IRH405300A	O	O	IC,ROHM	BU4053BCFV 16P,SSOP TP TRIPLE
IC207	0IJR340400B	O	O	IC,JRC	NJM3404AV SIP-8 TP SINGLE-SUPP
IC210	0IJR341400E	O	O	IC,JRC	NJN3414V SIP-8 TP DUAL OP AMP
IC301	0IOA979000A	O	O	IC,OAK TECHNOLOGY	OTI-9790 CD-R/W CONTROLLER TP
IC302	0IGS711816P	O	O	IC,LG SEMICONDUCTOR	GM71C18163C TSOP2 TP 5V 60N 1M
IC304	0IRH033000A	O	O	IC,ROHM	BA033SFP P/MOLD-5 TP REGULATOR
IC305	0IRH393900A	O	O	IC,ROHM	BA3939FP-E2
IC310	0ICP010000A	O	O	IC,CROSS SNT	CST0100C 44QFP BK ASIC
IC320	6957R-0124A	O	O	PROGRAM	ADR-700,710 CDR PROGRAM (VER.N
IC321	0IFA938680A	O	O	IC,FAIRCHILD	FM93C86AM8X 8P SOP TP EEPROM 1
IC322	0IFA745740B	O	O	IC,FAIRCHILD	74VHC574MTCX 20P TSSOP TP D-TY
IC323	0IFA745740B	O	O	IC,FAIRCHILD	74VHC574MTCX 20P TSSOP TP D-TY

LOCA.NO	PART NO.	A	B	DESCRIPTION	SPECIFICATION
IC324	0IFA741380E	O	O	IC,FAIRCHILD	74VHC138MTCX 16P TSSOP R/TP 3
IC325	0IRH405200C	O	O	IC,ROHM	BU4052BCFV SSOP-B16 TP DUAL 4C
IC326	0ITR613002E	O	O	IC,TOREX SEMICONDUCTOR	XC61CN3002PR 3P SOT-89 TP VOL
IC401	0ISTLXL001A	O	O	IC,STANDARD LOGIC	XCS30XL-TQ144 XILINX 144 QFP B
IC402	0IW1242573A	O	O	IC,WINBOND	W24257AS-35 (TAPE&REEL) 1K/TP
IC405	0INS704500C	O	O	IC,NATIONAL SEMICONDUCTOR	NC7SZ04M5X 5P SOT23-5 TP INVER
IC406	0IRH405300A	O	O	IC,ROHM	BU4053BCFV 16P,SSOP TP TRIPLE
IC407	0ICB493302A	O	O	IC,CRYSTAL SEMICONDUCTOR	CS493302-CLR 44 PLCC R/TP MP3
IC409	0IFA745740B	O	O	IC,FAIRCHILD	74VHC574MTCX 20P TSSOP TP D-TY
IC410	0IFA745740B	O	O	IC,FAIRCHILD	74VHC574MTCX 20P TSSOP TP D-TY
IC411	0IFA111725A	O	O	IC,FAIRCHILD	RC1117ST-2.5 SOT-263 TP 2.5V R
IC412	0ICB842000B	O	O	IC,CRYSTAL SEMICONDUCTOR	CS8420-CSR(REV D)28L SOIC TP D
IC413	0IAL270101E	O	O	IC,ATMEL	AT27LV010A-12TC 32P TSOP BK 1M
IC414	0IRH033000A	O	O	IC,ROHM	BA033SFP P/MOLD-5 TP REGULATOR
RESISTOR					
R102	0RH6800C622	O	O	RESISTOR,METAL GLAZED(CHIP)	680 OHM 1 / 16 W 1608 5.00% D
R104	0RH6800C622	O	O	RESISTOR,METAL GLAZED(CHIP)	680 OHM 1 / 16 W 1608 5.00% D
R105	0RH4702C622	O	O	RESISTOR,METAL GLAZED(CHIP)	47K OHM 1 / 16 W 1608 5.00% D
R106	0RH1201C622	O	O	RESISTOR,METAL GLAZED(CHIP)	1.2K OHM 1 / 16 W 1608 5.00% D
R107	0RH3301C622	O	O	RESISTOR,METAL GLAZED(CHIP)	3.3K OHM 1 / 16 W 1608 5.00% D
R108	0RH4700C622	O	O	RESISTOR,METAL GLAZED(CHIP)	470 OHM 1 / 16 W 1608 5.00% D
R109	0RH1002C622	O	O	RESISTOR,METAL GLAZED(CHIP)	10K OHM 1 / 16 W 1608 5.00% D
R110	0RH1002C622	O	O	RESISTOR,METAL GLAZED(CHIP)	10K OHM 1 / 16 W 1608 5.00% D
R111	0RH1002C622	O	O	RESISTOR,METAL GLAZED(CHIP)	10K OHM 1 / 16 W 1608 5.00% D
R112	0RH1002C622	O	O	RESISTOR,METAL GLAZED(CHIP)	10K OHM 1 / 16 W 1608 5.00% D
R113	0RH1002C622	O	O	RESISTOR,METAL GLAZED(CHIP)	10K OHM 1 / 16 W 1608 5.00% D
R114	0RH1001C622	O	O	RESISTOR,METAL GLAZED(CHIP)	1K OHM 1 / 16 W 1608 5.00% D
R115	0RH3301C622	O	O	RESISTOR,METAL GLAZED(CHIP)	3.3K OHM 1 / 16 W 1608 5.00% D
R116	0RH0000C622	O	O	RESISTOR,METAL GLAZED(CHIP)	0 OHM 1 / 16 W 1608 5.00% D
R117	0RH1801C622	O	O	RESISTOR,METAL GLAZED(CHIP)	1.8K OHM 1 / 16 W 1608 5.00% D
R118	0RH1001C622	O	O	RESISTOR,METAL GLAZED(CHIP)	1K OHM 1 / 16 W 1608 5.00% D
R119	0RH1001C622	O	O	RESISTOR,METAL GLAZED(CHIP)	1K OHM 1 / 16 W 1608 5.00% D
R120	0RH1801C622	O	O	RESISTOR,METAL GLAZED(CHIP)	1.8K OHM 1 / 16 W 1608 5.00% D
R121	0RH0000C622	O	O	RESISTOR,METAL GLAZED(CHIP)	0 OHM 1 / 16 W 1608 5.00% D
R122	0RH2201C622	O	O	RESISTOR,METAL GLAZED(CHIP)	2.2K OHM 1 / 16 W 1608 5.00% D
R123	0RH0000C622	O	O	RESISTOR,METAL GLAZED(CHIP)	0 OHM 1 / 16 W 1608 5.00% D
R124	0RH1001C622	O	O	RESISTOR,METAL GLAZED(CHIP)	1K OHM 1 / 16 W 1608 5.00% D
R126	0RH3301C622	O	O	RESISTOR,METAL GLAZED(CHIP)	3.3K OHM 1 / 16 W 1608 5.00% D
R127	0RH4702C622	O	O	RESISTOR,METAL GLAZED(CHIP)	47K OHM 1 / 16 W 1608 5.00% D
R128	0RH1002C622	O	O	RESISTOR,METAL GLAZED(CHIP)	10K OHM 1 / 16 W 1608 5.00% D
R129	0RH0000C622	O	O	RESISTOR,METAL GLAZED(CHIP)	0 OHM 1 / 16 W 1608 5.00% D
R130	0RH3302C622	O	O	RESISTOR,METAL GLAZED(CHIP)	33K OHM 1 / 16 W 1608 5.00% D
R131	0RH3302C622	O	O	RESISTOR,METAL GLAZED(CHIP)	33K OHM 1 / 16 W 1608 5.00% D
R132	0RH3302C622	O	O	RESISTOR,METAL GLAZED(CHIP)	33K OHM 1 / 16 W 1608 5.00% D
R133	0RH1502C622	O	O	RESISTOR,METAL GLAZED(CHIP)	15K OHM 1 / 16 W 1608 5.00% D
R134	0RH1501C622	O	O	RESISTOR,METAL GLAZED(CHIP)	1.5K OHM 1 / 16 W 1608 5.00% D
R135	0RH4702C622	O	O	RESISTOR,METAL GLAZED(CHIP)	47K OHM 1 / 16 W 1608 5.00% D
R136	0RH1001C622	O	O	RESISTOR,METAL GLAZED(CHIP)	1K OHM 1 / 16 W 1608 5.00% D
R137	0RH4702C622	O	O	RESISTOR,METAL GLAZED(CHIP)	47K OHM 1 / 16 W 1608 5.00% D
R138	0RH4702C622	O	O	RESISTOR,METAL GLAZED(CHIP)	47K OHM 1 / 16 W 1608 5.00% D
R139	0RH0000C622	O	O	RESISTOR,METAL GLAZED(CHIP)	0 OHM 1 / 16 W 1608 5.00% D
R140	0RH1002C622	O	O	RESISTOR,METAL GLAZED(CHIP)	10K OHM 1 / 16 W 1608 5.00% D
R141	0RH4701C622	O	O	RESISTOR,METAL GLAZED(CHIP)	4.7K OHM 1 / 16 W 1608 5.00% D
R142	0RH1502C622	O	O	RESISTOR,METAL GLAZED(CHIP)	15K OHM 1 / 16 W 1608 5.00% D
R143	0RH1004C622	O	O	RESISTOR,METAL GLAZED(CHIP)	1M OHM 1 / 16 W 1608 5.00% D
R144	0RH2202C622	O	O	RESISTOR,METAL GLAZED(CHIP)	22K OHM 1 / 16 W 1608 5.00% D
R145	0RH0000C622	O	O	RESISTOR,METAL GLAZED(CHIP)	0 OHM 1 / 16 W 1608 5.00% D
R146	0RH0000C622	O	O	RESISTOR,METAL GLAZED(CHIP)	0 OHM 1 / 16 W 1608 5.00% D
R147	0RH1002C622	O	O	RESISTOR,METAL GLAZED(CHIP)	10K OHM 1 / 16 W 1608 5.00% D
R148	0RH0000C622	O	O	RESISTOR,METAL GLAZED(CHIP)	0 OHM 1 / 16 W 1608 5.00% D
R149	0RH1000C622	O	O	RESISTOR,METAL GLAZED(CHIP)	100 OHM 1 / 16 W 1608 5.00% D
R150	0RH1001C622	O	O	RESISTOR,METAL GLAZED(CHIP)	1K OHM 1 / 16 W 1608 5.00% D
R151	0RH3300C622	O	O	RESISTOR,METAL GLAZED(CHIP)	330 OHM 1 / 16 W 1608 5.00% D
R152	0RH1001C622	O	O	RESISTOR,METAL GLAZED(CHIP)	1K OHM 1 / 16 W 1608 5.00% D
R153	0RH6802C622	O	O	RESISTOR,METAL GLAZED(CHIP)	68K OHM 1 / 16 W 1608 5.00% D
R154	0RH6802C622	O	O	RESISTOR,METAL GLAZED(CHIP)	68K OHM 1 / 16 W 1608 5.00% D

LOCA.NO	PART NO.	A	B	DESCRIPTION	SPECIFICATION
R155	0RH1004C622	O	O	RESISTOR,METAL GLAZED(CHIP)	1M OHM 1 / 16 W 1608 5.00% D
R156	0RH3303C622	O	O	RESISTOR,METAL GLAZED(CHIP)	330K OHM 1 / 16 W 1608 5.00% D
R157	0RH0000C622	O	O	RESISTOR,METAL GLAZED(CHIP)	0 OHM 1 / 16 W 1608 5.00% D
R158	0RH1000C622	O	O	RESISTOR,METAL GLAZED(CHIP)	100 OHM 1 / 16 W 1608 5.00% D
R159	0RH2702C622	O	O	RESISTOR,METAL GLAZED(CHIP)	27K OHM 1 / 16 W 1608 5.00% D
R160	0RH2702C622	O	O	RESISTOR,METAL GLAZED(CHIP)	27K OHM 1 / 16 W 1608 5.00% D
R161	0RH6800C622	O	O	RESISTOR,METAL GLAZED(CHIP)	680 OHM 1 / 16 W 1608 5.00% D
R162	0RH6800C622	O	O	RESISTOR,METAL GLAZED(CHIP)	680 OHM 1 / 16 W 1608 5.00% D
R163	0RH6800C622	O	O	RESISTOR,METAL GLAZED(CHIP)	680 OHM 1 / 16 W 1608 5.00% D
R164	0RH6800C622	O	O	RESISTOR,METAL GLAZED(CHIP)	680 OHM 1 / 16 W 1608 5.00% D
R165	0RH6800C622	O	O	RESISTOR,METAL GLAZED(CHIP)	680 OHM 1 / 16 W 1608 5.00% D
R166	0RH2202C622	O	O	RESISTOR,METAL GLAZED(CHIP)	22K OHM 1 / 16 W 1608 5.00% D
R167	0RH1001C622	O	O	RESISTOR,METAL GLAZED(CHIP)	1K OHM 1 / 16 W 1608 5.00% D
R168	0RH4700C622	O	O	RESISTOR,METAL GLAZED(CHIP)	470 OHM 1 / 16 W 1608 5.00% D
R169	0RH1002C622	O	O	RESISTOR,METAL GLAZED(CHIP)	10K OHM 1 / 16 W 1608 5.00% D
R171	0RH8202C622	O	O	RESISTOR,METAL GLAZED(CHIP)	82K OHM 1 / 16 W 1608 5.00% D
R172	0RH4701C622	O	O	RESISTOR,METAL GLAZED(CHIP)	4.7K OHM 1 / 16 W 1608 5.00% D
R173	0RH1802C622	O	O	RESISTOR,METAL GLAZED(CHIP)	18K OHM 1 / 16 W 1608 5.00% D
R174	0RH1002C622	O	O	RESISTOR,METAL GLAZED(CHIP)	10K OHM 1 / 16 W 1608 5.00% D
R181	0RH0000C622	O	O	RESISTOR,METAL GLAZED(CHIP)	0 OHM 1 / 16 W 1608 5.00% D
R202	0RH1001C622	O	O	RESISTOR,METAL GLAZED(CHIP)	1K OHM 1 / 16 W 1608 5.00% D
R203	0RH1003C622	O	O	RESISTOR,METAL GLAZED(CHIP)	100K OHM 1 / 16 W 1608 5.00% D
R204	0RH1003C622	O	O	RESISTOR,METAL GLAZED(CHIP)	100K OHM 1 / 16 W 1608 5.00% D
R205	0RH3902C622	O	O	RESISTOR,METAL GLAZED(CHIP)	39K OHM 1 / 16 W 1608 5.00% D
R206	0RH3303C622	O	O	RESISTOR,METAL GLAZED(CHIP)	330K OHM 1 / 16 W 1608 5.00% D
R207	0RH3902C622	O	O	RESISTOR,METAL GLAZED(CHIP)	39K OHM 1 / 16 W 1608 5.00% D
R208	0RH4703C622	O	O	RESISTOR,METAL GLAZED(CHIP)	470K OHM 1 / 16 W 1608 5.00% D
R209	0RH8202C622	O	O	RESISTOR,METAL GLAZED(CHIP)	82K OHM 1 / 16 W 1608 5.00% D
R210	0RH6801C622	O	O	RESISTOR,METAL GLAZED(CHIP)	6.8K OHM 1 / 16 W 1608 5.00% D
R211	0RH2201C622	O	O	RESISTOR,METAL GLAZED(CHIP)	2.2K OHM 1 / 16 W 1608 5.00% D
R212	0RH1002C622	O	O	RESISTOR,METAL GLAZED(CHIP)	10K OHM 1 / 16 W 1608 5.00% D
R216	0RH1000C622	O	O	RESISTOR,METAL GLAZED(CHIP)	100 OHM 1 / 16 W 1608 5.00% D
R217	0RH0000C622	O	O	RESISTOR,METAL GLAZED(CHIP)	0 OHM 1 / 16 W 1608 5.00% D
R218	0RH0000C622	O	O	RESISTOR,METAL GLAZED(CHIP)	0 OHM 1 / 16 W 1608 5.00% D
R219	0RH1000C622	O	O	RESISTOR,METAL GLAZED(CHIP)	100 OHM 1 / 16 W 1608 5.00% D
R220	0RH1000C622	O	O	RESISTOR,METAL GLAZED(CHIP)	100 OHM 1 / 16 W 1608 5.00% D
R221	0RH0000C622	O	O	RESISTOR,METAL GLAZED(CHIP)	0 OHM 1 / 16 W 1608 5.00% D
R226	0RH0181D622	O	O	RESISTOR,METAL GLAZED(CHIP)	1.8 OHM 1 / 10 W 2012 5.00% D
R227	0RH0181D622	O	O	RESISTOR,METAL GLAZED(CHIP)	1.8 OHM 1 / 10 W 2012 5.00% D
R229	0RH6802C622	O	O	RESISTOR,METAL GLAZED(CHIP)	68K OHM 1 / 16 W 1608 5.00% D
R230	0RH1003C622	O	O	RESISTOR,METAL GLAZED(CHIP)	100K OHM 1 / 16 W 1608 5.00% D
R231	0RH2703C622	O	O	RESISTOR,METAL GLAZED(CHIP)	270K OHM 1 / 16 W 1608 5.00% D
R232	0RH1803C622	O	O	RESISTOR,METAL GLAZED(CHIP)	180K OHM 1 / 16 W 1608 5.00% D
R233	0RH1003C622	O	O	RESISTOR,METAL GLAZED(CHIP)	100K OHM 1 / 16 W 1608 5.00% D
R234	0RH4702C622	O	O	RESISTOR,METAL GLAZED(CHIP)	47K OHM 1 / 16 W 1608 5.00% D
R236	0RH0000C622	O	O	RESISTOR,METAL GLAZED(CHIP)	0 OHM 1 / 16 W 1608 5.00% D
R237	0RH2202C622	O	O	RESISTOR,METAL GLAZED(CHIP)	22K OHM 1 / 16 W 1608 5.00% D
R238	0RH2702C622	O	O	RESISTOR,METAL GLAZED(CHIP)	27K OHM 1 / 16 W 1608 5.00% D
R239	0RH2202C622	O	O	RESISTOR,METAL GLAZED(CHIP)	22K OHM 1 / 16 W 1608 5.00% D
R240	0RH2202C622	O	O	RESISTOR,METAL GLAZED(CHIP)	22K OHM 1 / 16 W 1608 5.00% D
R241	0RH2202C622	O	O	RESISTOR,METAL GLAZED(CHIP)	22K OHM 1 / 16 W 1608 5.00% D
R242	0RH2702C622	O	O	RESISTOR,METAL GLAZED(CHIP)	27K OHM 1 / 16 W 1608 5.00% D
R244	0RH4703C622	O	O	RESISTOR,METAL GLAZED(CHIP)	470K OHM 1 / 16 W 1608 5.00% D
R245	0RH1002C622	O	O	RESISTOR,METAL GLAZED(CHIP)	10K OHM 1 / 16 W 1608 5.00% D
R246	0RH1002C622	O	O	RESISTOR,METAL GLAZED(CHIP)	10K OHM 1 / 16 W 1608 5.00% D
R247	0RH1002C622	O	O	RESISTOR,METAL GLAZED(CHIP)	10K OHM 1 / 16 W 1608 5.00% D
R248	0RH1002C622	O	O	RESISTOR,METAL GLAZED(CHIP)	10K OHM 1 / 16 W 1608 5.00% D
R249	0RH4701C622	O	O	RESISTOR,METAL GLAZED(CHIP)	4.7K OHM 1 / 16 W 1608 5.00% D
R250	0RH6801C622	O	O	RESISTOR,METAL GLAZED(CHIP)	6.8K OHM 1 / 16 W 1608 5.00% D
R251	0RH1002C622	O	O	RESISTOR,METAL GLAZED(CHIP)	10K OHM 1 / 16 W 1608 5.00% D
R252	0RH1002C622	O	O	RESISTOR,METAL GLAZED(CHIP)	10K OHM 1 / 16 W 1608 5.00% D
R255	0RH5601C622	O	O	RESISTOR,METAL GLAZED(CHIP)	5.6K OHM 1 / 16 W 1608 5.00% D
R256	0RH3301C622	O	O	RESISTOR,METAL GLAZED(CHIP)	3.3K OHM 1 / 16 W 1608 5.00% D
R260	0RH4700C622	O	O	RESISTOR,METAL GLAZED(CHIP)	470 OHM 1 / 16 W 1608 5.00% D
R261	0RH4700C622	O	O	RESISTOR,METAL GLAZED(CHIP)	470 OHM 1 / 16 W 1608 5.00% D
R262	0RH1002C622	O	O	RESISTOR,METAL GLAZED(CHIP)	10K OHM 1 / 16 W 1608 5.00% D

LOCA.NO	PART NO.	A	B	DESCRIPTION	SPECIFICATION
R475	0RH0332C622	O	O	RESISTOR,METAL GLAZED(CHIP)	33 OHM 1 / 16 W 1608 5.00% D
R476	0RH0000C622	O	O	RESISTOR,METAL GLAZED(CHIP)	0 OHM 1 / 16 W 1608 5.00% D
R477	0RH0000C622	O	O	RESISTOR,METAL GLAZED(CHIP)	0 OHM 1 / 16 W 1608 5.00% D
R478	0RH0000C622	O	O	RESISTOR,METAL GLAZED(CHIP)	0 OHM 1 / 16 W 1608 5.00% D
R479	0RH0000C622	O	O	RESISTOR,METAL GLAZED(CHIP)	0 OHM 1 / 16 W 1608 5.00% D
R480	0RH1000C622	O	O	RESISTOR,METAL GLAZED(CHIP)	100 OHM 1 / 16 W 1608 5.00% D
R481	0RH2200C622	O	O	RESISTOR,METAL GLAZED(CHIP)	220 OHM 1 / 16 W 1608 5.00% D
R482	0RH2200C622	O	O	RESISTOR,METAL GLAZED(CHIP)	220 OHM 1 / 16 W 1608 5.00% D
R483	0RH4702C622	O	O	RESISTOR,METAL GLAZED(CHIP)	47K OHM 1 / 16 W 1608 5.00% D
R484	0RH1001C622	O	O	RESISTOR,METAL GLAZED(CHIP)	1K OHM 1 / 16 W 1608 5.00% D
R485	0RH3300C622	O	O	RESISTOR,METAL GLAZED(CHIP)	330 OHM 1 / 16 W 1608 5.00% D
R486	0RH1000C622	O	O	RESISTOR,METAL GLAZED(CHIP)	100 OHM 1 / 16 W 1608 5.00% D
R487	0RH1000C622	O	O	RESISTOR,METAL GLAZED(CHIP)	100 OHM 1 / 16 W 1608 5.00% D
R488	0RH1000C622	O	O	RESISTOR,METAL GLAZED(CHIP)	100 OHM 1 / 16 W 1608 5.00% D
R489	0RH1000C622	O	O	RESISTOR,METAL GLAZED(CHIP)	100 OHM 1 / 16 W 1608 5.00% D
R490	0RH5101C422	O	O	RESISTOR,METAL GLAZED(CHIP)	5.1K OHM 1 / 16 W 1608 1.00% D
R493	0RH2200C622	O	O	RESISTOR,METAL GLAZED(CHIP)	220 OHM 1 / 16 W 1608 5.00% D
R494	0RH2200C622	O	O	RESISTOR,METAL GLAZED(CHIP)	220 OHM 1 / 16 W 1608 5.00% D
R495	0RH2200C622	O	O	RESISTOR,METAL GLAZED(CHIP)	220 OHM 1 / 16 W 1608 5.00% D
R496	0RH3300C622	O	O	RESISTOR,METAL GLAZED(CHIP)	330 OHM 1 / 16 W 1608 5.00% D
R497	0RH3300C622	O	O	RESISTOR,METAL GLAZED(CHIP)	330 OHM 1 / 16 W 1608 5.00% D
R498	0RH3300C622	O	O	RESISTOR,METAL GLAZED(CHIP)	330 OHM 1 / 16 W 1608 5.00% D
R499	0RH3300C622	O	O	RESISTOR,METAL GLAZED(CHIP)	330 OHM 1 / 16 W 1608 5.00% D
R501	0RH6800C622	O	O	RESISTOR,METAL GLAZED(CHIP)	680 OHM 1 / 16 W 1608 5.00% D
R502	0RH2200C622	O	O	RESISTOR,METAL GLAZED(CHIP)	220 OHM 1 / 16 W 1608 5.00% D
RR301	0RR2200Q62A	O	O	RESISTOR,DRAWING	220 OHM 1/16 W 3216 5.00% R/TP
RR302	0RR2200Q62A	O	O	RESISTOR,DRAWING	220 OHM 1/16 W 3216 5.00% R/TP
RR303	0RR2200Q62A	O	O	RESISTOR,DRAWING	220 OHM 1/16 W 3216 5.00% R/TP
RR304	0RR2200Q62A	O	O	RESISTOR,DRAWING	220 OHM 1/16 W 3216 5.00% R/TP
RR305	0RR2200Q62A	O	O	RESISTOR,DRAWING	220 OHM 1/16 W 3216 5.00% R/TP
RR306	0RR2200Q62A	O	O	RESISTOR,DRAWING	220 OHM 1/16 W 3216 5.00% R/TP
RR401	0RR2200Q62A	O	O	RESISTOR,DRAWING	220 OHM 1/16 W 3216 5.00% R/TP
RR402	0RR2200Q62A	O	O	RESISTOR,DRAWING	220 OHM 1/16 W 3216 5.00% R/TP
RR403	0RR2200Q62A	O	O	RESISTOR,DRAWING	220 OHM 1/16 W 3216 5.00% R/TP
RR404	0RR2200Q62A	O	O	RESISTOR,DRAWING	220 OHM 1/16 W 3216 5.00% R/TP
RR405	0RR2200Q62A	O	O	RESISTOR,DRAWING	220 OHM 1/16 W 3216 5.00% R/TP
RR406	0RR2200Q62A	O	O	RESISTOR,DRAWING	220 OHM 1/16 W 3216 5.00% R/TP
RESONATOR					
X302	6212HA0202A	O	O	RESONATOR,CERAMIC	MURATA 20MHZ . TP
TRANSISTOR					
Q101	0TR144009AH	O	O	TRANSISTOR	DTC144EK CHIP ROHM-J
Q102	0TR144009AH	O	O	TRANSISTOR	DTC144EK CHIP ROHM-J
Q103	0TR144009AH	O	O	TRANSISTOR	DTC144EK CHIP ROHM-J
Q104	0TR144009AH	O	O	TRANSISTOR	DTC144EK CHIP ROHM-J
Q105	0TR144009AH	O	O	TRANSISTOR	DTC144EK CHIP ROHM-J
CD PLAY BOARD					
ASSEMBLY PARTS SECTION					
A43	3501R-M777A	O	O	BOARD ASSY	FRONT+PCB (AADR710 . EVNT)
A43-1	3721R-M006A	O	O	PANEL ASSY,AUDIO	FRONT ASSY(NAD C660)
A43-3	6871RF3128A	O	O	PWB(PCB) ASSY,FRONT(AUDIO)	ADR710(NAD) EVNT
CAPACITOR					
C804	0CE1073F638	O	O	CAPACITOR,FIXED ELECTROLYTIC	100UF SRE,SE 16V 20% FM5 TP 5
C816	0CX3300K408	O	O	CAPACITOR TUBULA(T.C)	33P 50V J SL TA26
C817	0CX3300K408	O	O	CAPACITOR TUBULA(T.C)	33P 50V J SL TA26
C818	0CN1040K948	O	O	CAPACITOR,FIXED TUBULAR(High d	0.1UF D 50V 80%,-20% F(Y5V) TA
C820	0CN1040K948	O	O	CAPACITOR,FIXED TUBULAR(High d	0.1UF D 50V 80%,-20% F(Y5V) TA
C821	0CN1040K948	O	O	CAPACITOR,FIXED TUBULAR(High d	0.1UF D 50V 80%,-20% F(Y5V) TA
C822	0CN1040K948	O	O	CAPACITOR,FIXED TUBULAR(High d	0.1UF D 50V 80%,-20% F(Y5V) TA
C823	0CN1040K948	O	O	CAPACITOR,FIXED TUBULAR(High d	0.1UF D 50V 80%,-20% F(Y5V) TA
DIODE					
D801	0DD133009AA	O	O	DIODE,SWITCHING	1SS133 DETECT,SW TP
DIGITRON					
FLD801	6302R-V108B	O	O	DIGITRON	BJ-826GNK FUTABA UNIVERSAL NAD
IC					
IC801	0IMCRNE002C	O	O	IC,MICRO CONTROLLER	UPD780232GC-043-8BT NEC 80 QFP

LOCA.NO	PART NO.	A	B	DESCRIPTION	SPECIFICATION
IC802	0IKE704200B	O	O	IC,KEC	KIA7042P 3P 4.2V RESET(TAPING)
RMC801	0IRH693840A	O	O	IC,ROHM	RPM6938-V4 3P BK REMOCON MODUL
LED					
LED801	0DL325319AA	O	O	LED	SPR325MVWT31 TP ROHM GREEN/RED
RESISTOR					
R801	0RD1801F608	O	O	RESISTOR,FIXED CARBON FILM	1.8K OHM 1/6 W 5.00% TA26
R802	0RD2701F608	O	O	RESISTOR,FIXED CARBON FILM	2.7K OHM 1/6 W 5.00% TA26
R803	0RD3301F608	O	O	RESISTOR,FIXED CARBON FILM	3.3K OHM 1/6 W 5.00% TA26
R804	0RD3901F608	O	O	RESISTOR,FIXED CARBON FILM	3.9K OHM 1/6 W 5.00% TA26
R805	0RD5601F608	O	O	RESISTOR,FIXED CARBON FILM	5.6K OHM 1/6 W 5.00% TA26
R806	0RD8201F608	O	O	RESISTOR,FIXED CARBON FILM	8.2K OHM 1/6 W 5.00% TA26
R807	0RD1502F608	O	O	RESISTOR,FIXED CARBON FILM	15K OHM 1/6 W 5.00% TA26
R808	0RD1801F608	O	O	RESISTOR,FIXED CARBON FILM	1.8K OHM 1/6 W 5.00% TA26
R809	0RD2701F608	O	O	RESISTOR,FIXED CARBON FILM	2.7K OHM 1/6 W 5.00% TA26
R810	0RD3301F608	O	O	RESISTOR,FIXED CARBON FILM	3.3K OHM 1/6 W 5.00% TA26
R811	0RD3901F608	O	O	RESISTOR,FIXED CARBON FILM	3.9K OHM 1/6 W 5.00% TA26
R812	0RD5601F608	O	O	RESISTOR,FIXED CARBON FILM	5.6K OHM 1/6 W 5.00% TA26
R813	0RD1801F608	O	O	RESISTOR,FIXED CARBON FILM	1.8K OHM 1/6 W 5.00% TA26
R814	0RD2701F608	O	O	RESISTOR,FIXED CARBON FILM	2.7K OHM 1/6 W 5.00% TA26
R815	0RD3301F608	O	O	RESISTOR,FIXED CARBON FILM	3.3K OHM 1/6 W 5.00% TA26
R816	0RD3901F608	O	O	RESISTOR,FIXED CARBON FILM	3.9K OHM 1/6 W 5.00% TA26
R817	0RD5601F608	O	O	RESISTOR,FIXED CARBON FILM	5.6K OHM 1/6 W 5.00% TA26
R818	0RD8201F608	O	O	RESISTOR,FIXED CARBON FILM	8.2K OHM 1/6 W 5.00% TA26
R819	0RD1502F608	O	O	RESISTOR,FIXED CARBON FILM	15K OHM 1/6 W 5.00% TA26
R820	0RD1802F608	O	O	RESISTOR,FIXED CARBON FILM	18K OHM 1/6 W 5.00% TA26
R821	0RD1802F608	O	O	RESISTOR,FIXED CARBON FILM	18K OHM 1/6 W 5.00% TA26
R822	0RD1802F608	O	O	RESISTOR,FIXED CARBON FILM	18K OHM 1/6 W 5.00% TA26
R833	0RD1000F608	O	O	RESISTOR,FIXED CARBON FILM	100 OHM 1/6 W 5.00% TA26
R834	0RD3301F608	O	O	RESISTOR,FIXED CARBON FILM	3.3K OHM 1/6 W 5.00% TA26
R835	0RD2702F608	O	O	RESISTOR,FIXED CARBON FILM	27K OHM 1/6 W 5.00% TA26
R836	0RD8201F608	O	O	RESISTOR,FIXED CARBON FILM	8.2K OHM 1/6 W 5.00% TA26
R837	0RD1502F608	O	O	RESISTOR,FIXED CARBON FILM	15K OHM 1/6 W 5.00% TA26
R840	0RD2702F608	O	O	RESISTOR,FIXED CARBON FILM	27K OHM 1/6 W 5.00% TA26
R841	0RD4701F608	O	O	RESISTOR,FIXED CARBON FILM	4.7K OHM 1/6 W 5.00% TA26
R842	0RD1001F608	O	O	RESISTOR,FIXED CARBON FILM	1K OHM 1/6 W 5.00% TA26
R843	0RD1001F608	O	O	RESISTOR,FIXED CARBON FILM	1K OHM 1/6 W 5.00% TA26
R844	0RD1001F608	O	O	RESISTOR,FIXED CARBON FILM	1K OHM 1/6 W 5.00% TA26
R845	0RD1001F608	O	O	RESISTOR,FIXED CARBON FILM	1K OHM 1/6 W 5.00% TA26
R846	0RD1003F608	O	O	RESISTOR,FIXED CARBON FILM	100K OHM 1/6 W 5.00% TA26
R847	0RD4702F608	O	O	RESISTOR,FIXED CARBON FILM	47K OHM 1/6 W 5.00% TA26
R848	0RD4702F608	O	O	RESISTOR,FIXED CARBON FILM	47K OHM 1/6 W 5.00% TA26
R849	0RD4702F608	O	O	RESISTOR,FIXED CARBON FILM	47K OHM 1/6 W 5.00% TA26
R850	0RD4702F608	O	O	RESISTOR,FIXED CARBON FILM	47K OHM 1/6 W 5.00% TA26
R851	0RD4702F608	O	O	RESISTOR,FIXED CARBON FILM	47K OHM 1/6 W 5.00% TA26
R857	0RD2700F608	O	O	RESISTOR,FIXED CARBON FILM	270 OHM 1/6 W 5.00% TA26
R859	0RD0562F608	O	O	RESISTOR,FIXED CARBON FILM	56 OHM 1/6 W 5.00% TA26
R864	0RD1000F608	O	O	RESISTOR,FIXED CARBON FILM	100 OHM 1/6 W 5.00% TA26
VOLUME					
VR802	6110R-RL01A	O	O	VOLUME,ROTARY	ALPS 50 KBX2 D=9 V
SWITCH					
SW801	556-219B	O	O	SWITCH,TACT	POSTECH DC 12 V 5.0 A VERTICAL
SW802	556-219B	O	O	SWITCH,TACT	POSTECH DC 12 V 5.0 A VERTICAL
SW803	556-219B	O	O	SWITCH,TACT	POSTECH DC 12 V 5.0 A VERTICAL
SW804	556-219B	O	O	SWITCH,TACT	POSTECH DC 12 V 5.0 A VERTICAL
SW805	556-219B	O	O	SWITCH,TACT	POSTECH DC 12 V 5.0 A VERTICAL
SW807	556-219B	O	O	SWITCH,TACT	POSTECH DC 12 V 5.0 A VERTICAL
SW808	556-219B	O	O	SWITCH,TACT	POSTECH DC 12 V 5.0 A VERTICAL
SW809	556-219B	O	O	SWITCH,TACT	POSTECH DC 12 V 5.0 A VERTICAL
SW810	556-219B	O	O	SWITCH,TACT	POSTECH DC 12 V 5.0 A VERTICAL
SW812	556-219B	O	O	SWITCH,TACT	POSTECH DC 12 V 5.0 A VERTICAL
SW813	556-219B	O	O	SWITCH,TACT	POSTECH DC 12 V 5.0 A VERTICAL
SW814	556-219B	O	O	SWITCH,TACT	POSTECH DC 12 V 5.0 A VERTICAL
SW815	556-219B	O	O	SWITCH,TACT	POSTECH DC 12 V 5.0 A VERTICAL
SW816	556-219B	O	O	SWITCH,TACT	POSTECH DC 12 V 5.0 A VERTICAL
SW818	556-219B	O	O	SWITCH,TACT	POSTECH DC 12 V 5.0 A VERTICAL
SW819	556-219B	O	O	SWITCH,TACT	POSTECH DC 12 V 5.0 A VERTICAL
SW821	556-219B	O	O	SWITCH,TACT	POSTECH DC 12 V 5.0 A VERTICAL

LOCA.NO	PART NO.	A	B	DESCRIPTION	SPECIFICATION
SW822	556-219B	O	O	SWITCH,TACT	POSTECH DC 12 V 5.0 A VERTICAL
SW823	556-219B	O	O	SWITCH,TACT	POSTECH DC 12 V 5.0 A VERTICAL
SW825	556-219B	O	O	SWITCH,TACT	POSTECH DC 12 V 5.0 A VERTICAL
SW826	556-219B	O	O	SWITCH,TACT	POSTECH DC 12 V 5.0 A VERTICAL
SW828	556-219B	O	O	SWITCH,TACT	POSTECH DC 12 V 5.0 A VERTICAL
MAIN SECTION (I/O)					
ASSEMBLY PARTS SECTION					
A47	6871R-4012N	O	O	PWB(PCB) ASSY,TOTAL	ADR710 ALL I/O
CAPACITOR					
C701	0CH1102K512	O	O	CAPACITOR,FIXED CERAMIC(Temp.c	1000PF 50V 10% B(5YP) 1608 R/T
C702	0CH1102K512	O	O	CAPACITOR,FIXED CERAMIC(Temp.c	1000PF 50V 10% B(5YP) 1608 R/T
C703	0CE4756K618	O	O	CAPACITOR,FIXED ELECTROLYTIC	4.7UF SMS,SG 50V 20% FL TP 5
C704	0CE4766J618	O	O	CAPACITOR,ELECTROLYTIC	47M SMS 35V M FM(5) TP(5)
C705	0CH1104K942	O	O	CAPACITOR,CHIP[CERAMIC M/L HD	0.1UF 50V Z Y5V(F) 1508 R/TP
C706	0CH1104K942	O	O	CAPACITOR,CHIP[CERAMIC M/L HD	0.1UF 50V Z Y5V(F) 1508 R/TP
C707	0CE4766J618	O	O	CAPACITOR,ELECTROLYTIC	47M SMS 35V M FM(5) TP(5)
C708	0CH1103K512	O	O	CAPA,CHIP CERAMIC M/L H.D F/S	0.0100UF 50V K B 1608 R/TP
C709	0CH1104K942	O	O	CAPACITOR,CHIP[CERAMIC M/L HD	0.1UF 50V Z Y5V(F) 1508 R/TP
C710	0CE226UK638	O	O	CAPACITOR,FIXED ELECTROLYTIC	22UF AHS 50V 20% TP 5 FM5
C711	0CE226UK638	O	O	CAPACITOR,FIXED ELECTROLYTIC	22UF AHS 50V 20% TP 5 FM5
C712	0CE226UK638	O	O	CAPACITOR,FIXED ELECTROLYTIC	22UF AHS 50V 20% TP 5 FM5
C713	0CE226UK638	O	O	CAPACITOR,FIXED ELECTROLYTIC	22UF AHS 50V 20% TP 5 FM5
C714	0CH4101K412	O	O	CHIP CAPA CERAMIC M/L T.C F/S	100P 50V J COG 1.6X0.8 R/TP
C715	0CH1104K942	O	O	CAPACITOR,CHIP[CERAMIC M/L HD	0.1UF 50V Z Y5V(F) 1508 R/TP
C716	0CE4766J618	O	O	CAPACITOR,ELECTROLYTIC	47M SMS 35V M FM(5) TP(5)
C717	0CH4101K412	O	O	CHIP CAPA CERAMIC M/L T.C F/S	100P 50V J COG 1.6X0.8 R/TP
C718	0CH1104K942	O	O	CAPACITOR,CHIP[CERAMIC M/L HD	0.1UF 50V Z Y5V(F) 1508 R/TP
C719	0CE4766J618	O	O	CAPACITOR,ELECTROLYTIC	47M SMS 35V M FM(5) TP(5)
C720	0CH4101K412	O	O	CHIP CAPA CERAMIC M/L T.C F/S	100P 50V J COG 1.6X0.8 R/TP
C721	0CH1104K942	O	O	CAPACITOR,CHIP[CERAMIC M/L HD	0.1UF 50V Z Y5V(F) 1508 R/TP
C722	0CE4766J618	O	O	CAPACITOR,ELECTROLYTIC	47M SMS 35V M FM(5) TP(5)
C723	0CH4101K412	O	O	CHIP CAPA CERAMIC M/L T.C F/S	100P 50V J COG 1.6X0.8 R/TP
C724	0CH1104K942	O	O	CAPACITOR,CHIP[CERAMIC M/L HD	0.1UF 50V Z Y5V(F) 1508 R/TP
C725	0CE4766J618	O	O	CAPACITOR,ELECTROLYTIC	47M SMS 35V M FM(5) TP(5)
C726	0CE4766J618	O	O	CAPACITOR,ELECTROLYTIC	47M SMS 35V M FM(5) TP(5)
C727	0CH1104K942	O	O	CAPACITOR,CHIP[CERAMIC M/L HD	0.1UF 50V Z Y5V(F) 1508 R/TP
C728	0CE4766J618	O	O	CAPACITOR,ELECTROLYTIC	47M SMS 35V M FM(5) TP(5)
C729	0CH1104K942	O	O	CAPACITOR,CHIP[CERAMIC M/L HD	0.1UF 50V Z Y5V(F) 1508 R/TP
C730	0CE477CC618	O	O	CAPACITOR,FIXED ELECTROLYTIC	470UF SHL,SD 6.3V 20% TP 5 FL
C731	0CH1104K942	O	O	CAPACITOR,CHIP[CERAMIC M/L HD	0.1UF 50V Z Y5V(F) 1508 R/TP
C732	0CE477CC618	O	O	CAPACITOR,FIXED ELECTROLYTIC	470UF SHL,SD 6.3V 20% TP 5 FL
C733	0CE107ID638	O	O	CAPACITOR,FIXED ELECTROLYTIC	100UF AH 10V 20% TP 5 FM5
C734	0CE107ID638	O	O	CAPACITOR,FIXED ELECTROLYTIC	100UF AH 10V 20% TP 5 FM5
C735	0CE107ID638	O	O	CAPACITOR,FIXED ELECTROLYTIC	100UF AH 10V 20% TP 5 FM5
C736	0CE107ID638	O	O	CAPACITOR,FIXED ELECTROLYTIC	100UF AH 10V 20% TP 5 FM5
C737	0CH4680K412	O	O	CAPACITOR,CHIP[CERAMIC M/L TC	68P 50V J COG 1.6X0.8 R/TP
C738	0CH1332K562	O	O	CAPACITOR,CHIP[CERAMIC M/L HD	3300P 50V K X7R 1.6X0.8 R/TP
C739	0CE1076F618	O	O	CAPACITOR,ELECTROLYTIC	100M SMS 16V M FM5 TP(5)
C740	0CH1104K942	O	O	CAPACITOR,CHIP[CERAMIC M/L HD	0.1UF 50V Z Y5V(F) 1508 R/TP
C741	0CH4391K412	O	O	CAPACITOR,CHIP[CERAMIC M/L TC	390PF 50V J NP0 1508 R/TP
C742	0CE226UK638	O	O	CAPACITOR,FIXED ELECTROLYTIC	22UF AHS 50V 20% TP 5 FM5
C743	0CE1076F618	O	O	CAPACITOR,ELECTROLYTIC	100M SMS 16V M FM5 TP(5)
C744	0CH1104K942	O	O	CAPACITOR,CHIP[CERAMIC M/L HD	0.1UF 50V Z Y5V(F) 1508 R/TP
C745	0CH4391K412	O	O	CAPACITOR,CHIP[CERAMIC M/L TC	390PF 50V J NP0 1508 R/TP
C746	0CH4680K412	O	O	CAPACITOR,CHIP[CERAMIC M/L TC	68P 50V J COG 1.6X0.8 R/TP
C747	0CH1332K562	O	O	CAPACITOR,CHIP[CERAMIC M/L HD	3300P 50V K X7R 1.6X0.8 R/TP
C748	0CE226UK638	O	O	CAPACITOR,FIXED ELECTROLYTIC	22UF AHS 50V 20% TP 5 FM5
C749	0CQ3921N409	O	O	CAPACITOR POLYESTER(MYLAR)	0.0039U 100V J POLY TP
C750	0CQ3921N409	O	O	CAPACITOR POLYESTER(MYLAR)	0.0039U 100V J POLY TP
C751	0CH1332K562	O	O	CAPACITOR,CHIP[CERAMIC M/L HD	3300P 50V K X7R 1.6X0.8 R/TP
C752	0CE4766J618	O	O	CAPACITOR,ELECTROLYTIC	47M SMS 35V M FM(5) TP(5)
C753	0CH1104K942	O	O	CAPACITOR,CHIP[CERAMIC M/L HD	0.1UF 50V Z Y5V(F) 1508 R/TP
C754	0CE477CC618	O	O	CAPACITOR,FIXED ELECTROLYTIC	470UF SHL,SD 6.3V 20% TP 5 FL
C755	0CH1104K942	O	O	CAPACITOR,CHIP[CERAMIC M/L HD	0.1UF 50V Z Y5V(F) 1508 R/TP
C756	0CE4766J618	O	O	CAPACITOR,ELECTROLYTIC	47M SMS 35V M FM(5) TP(5)
C757	0CE107ID638	O	O	CAPACITOR,FIXED ELECTROLYTIC	100UF AH 10V 20% TP 5 FM5

LOCA.NO	PART NO.	A	B	DESCRIPTION	SPECIFICATION
C758	0CE1071D638	O	O	CAPACITOR,FIXED ELECTROLYTIC	100UF AH 10V 20% TP 5 FM5
C759	0CE1071D638	O	O	CAPACITOR,FIXED ELECTROLYTIC	100UF AH 10V 20% TP 5 FM5
C760	0CE1071D638	O	O	CAPACITOR,FIXED ELECTROLYTIC	100UF AH 10V 20% TP 5 FM5
C761	0CH4680K412	O	O	CAPACITOR,CHIP[CERAMIC M/L TC	68P 50V J COG 1.6X0.8 R/TP
C762	0CH1332K562	O	O	CAPACITOR,CHIP[CERAMIC M/L HD	3300P 50V K X7R 1.6X0.8 R/TP
C763	0CE226UK638	O	O	CAPACITOR,FIXED ELECTROLYTIC	22UF AHS 50V 20% TP 5 FM5
C764	0CH4391K412	O	O	CAPACITOR,CHIP[CERAMIC M/L TC	390PF 50V J NP0 1508 R/TP
C765	0CH1104K942	O	O	CAPACITOR,CHIP[CERAMIC M/L HD	0.1UF 50V Z Y5V(F) 1508 R/TP
C766	0CE1076F618	O	O	CAPACITOR,ELECTROLYTIC	100M SMS 16V M FM5 TP(5)
C767	0CE1076F618	O	O	CAPACITOR,ELECTROLYTIC	100M SMS 16V M FM5 TP(5)
C768	0CH1104K942	O	O	CAPACITOR,CHIP[CERAMIC M/L HD	0.1UF 50V Z Y5V(F) 1508 R/TP
C769	0CH4391K412	O	O	CAPACITOR,CHIP[CERAMIC M/L TC	390PF 50V J NP0 1508 R/TP
C770	0CE477CC618	O	O	CAPACITOR,FIXED ELECTROLYTIC	470UF SHL,SD 6.3V 20% TP 5 FL
C7702	0CH1104K942	O	O	CAPACITOR,CHIP[CERAMIC M/L HD	0.1UF 50V Z Y5V(F) 1508 R/TP
C7703	0CH4221K412	O	O	CAPACITOR,CHIP[CERAMIC M/L TC	220P 50V J COG 1.6X0.8 R/TP
C7704	0CH1104K942	O	O	CAPACITOR,CHIP[CERAMIC M/L HD	0.1UF 50V Z Y5V(F) 1508 R/TP
C7705	0CH1104K942	O	O	CAPACITOR,CHIP[CERAMIC M/L HD	0.1UF 50V Z Y5V(F) 1508 R/TP
C7706	0CH1104K942	O	O	CAPACITOR,CHIP[CERAMIC M/L HD	0.1UF 50V Z Y5V(F) 1508 R/TP
C7707	0CH1104K942	O	O	CAPACITOR,CHIP[CERAMIC M/L HD	0.1UF 50V Z Y5V(F) 1508 R/TP
C7708	0CH1104K942	O	O	CAPACITOR,CHIP[CERAMIC M/L HD	0.1UF 50V Z Y5V(F) 1508 R/TP
C7709	0CH1104K942	O	O	CAPACITOR,CHIP[CERAMIC M/L HD	0.1UF 50V Z Y5V(F) 1508 R/TP
C771	0CH4221K412	O	O	CAPACITOR,CHIP[CERAMIC M/L TC	220P 50V J COG 1.6X0.8 R/TP
C7710	0CH1104K942	O	O	CAPACITOR,CHIP[CERAMIC M/L HD	0.1UF 50V Z Y5V(F) 1508 R/TP
C7711	0CH1104K942	O	O	CAPACITOR,CHIP[CERAMIC M/L HD	0.1UF 50V Z Y5V(F) 1508 R/TP
C7712	0CH1104K942	O	O	CAPACITOR,CHIP[CERAMIC M/L HD	0.1UF 50V Z Y5V(F) 1508 R/TP
C7713	0CH4680K412	O	O	CAPACITOR,CHIP[CERAMIC M/L TC	68P 50V J COG 1.6X0.8 R/TP
C7715	0CH4221K412	O	O	CAPACITOR,CHIP[CERAMIC M/L TC	220P 50V J COG 1.6X0.8 R/TP
C7716	0CH4221K412	O	O	CAPACITOR,CHIP[CERAMIC M/L TC	220P 50V J COG 1.6X0.8 R/TP
C7717	0CH4271K412	O	O	CAPACITOR,FIXED CERAMIC(High d	270PF 50V 5% NP0 1608 R/TP
C7718	0CH4271K412	O	O	CAPACITOR,FIXED CERAMIC(High d	270PF 50V 5% NP0 1608 R/TP
C773	0CH4181K412	O	O	CAPACITOR,CHIP[CERAMIC M/L TC	180P 50V J COG 1.6X0.8 R/TP
C774	0CH4181K412	O	O	CAPACITOR,CHIP[CERAMIC M/L TC	180P 50V J COG 1.6X0.8 R/TP
C775	0CH4181K412	O	O	CAPACITOR,CHIP[CERAMIC M/L TC	180P 50V J COG 1.6X0.8 R/TP
C776	0CH4181K412	O	O	CAPACITOR,CHIP[CERAMIC M/L TC	180P 50V J COG 1.6X0.8 R/TP
C779	0CE477CC618	O	O	CAPACITOR,FIXED ELECTROLYTIC	470UF SHL,SD 6.3V 20% TP 5 FL
C780	0CH4680K412	O	O	CAPACITOR,CHIP[CERAMIC M/L TC	68P 50V J COG 1.6X0.8 R/TP
C781	0CH1332K562	O	O	CAPACITOR,CHIP[CERAMIC M/L HD	3300P 50V K X7R 1.6X0.8 R/TP
C782	0CE226UK638	O	O	CAPACITOR,FIXED ELECTROLYTIC	22UF AHS 50V 20% TP 5 FM5
C783	0CQ3921N409	O	O	CAPACITOR POLYESTER(MYLAR)	0.0039U 100V J POLY TP
C784	0CQ3921N409	O	O	CAPACITOR POLYESTER(MYLAR)	0.0039U 100V J POLY TP
C785	0CE1076F618	O	O	CAPACITOR,ELECTROLYTIC	100M SMS 16V M FM5 TP(5)
C786	0CH1104K942	O	O	CAPACITOR,CHIP[CERAMIC M/L HD	0.1UF 50V Z Y5V(F) 1508 R/TP
C787	0CE1076F618	O	O	CAPACITOR,ELECTROLYTIC	100M SMS 16V M FM5 TP(5)
C788	0CE2276H618	O	O	CAPACITOR,ELECTROLYTIC	220M SMS 25V FM5 TP(5)
C789	0CH4221K412	O	O	CAPACITOR,CHIP[CERAMIC M/L TC	220P 50V J COG 1.6X0.8 R/TP
C790	0CH4221K412	O	O	CAPACITOR,CHIP[CERAMIC M/L TC	220P 50V J COG 1.6X0.8 R/TP
C791	0CH4221K412	O	O	CAPACITOR,CHIP[CERAMIC M/L TC	220P 50V J COG 1.6X0.8 R/TP
C792	0CH4221K412	O	O	CAPACITOR,CHIP[CERAMIC M/L TC	220P 50V J COG 1.6X0.8 R/TP
C793	0CE226UK638	O	O	CAPACITOR,FIXED ELECTROLYTIC	22UF AHS 50V 20% TP 5 FM5
C794	0CE226UK638	O	O	CAPACITOR,FIXED ELECTROLYTIC	22UF AHS 50V 20% TP 5 FM5
C796	0CH1103K512	O	O	CAPA,CHIP CERAMIC M/L H.D F/S	0.0100UF 50V K B 1608 R/TP
C797	0CH1104K942	O	O	CAPACITOR,CHIP[CERAMIC M/L HD	0.1UF 50V Z Y5V(F) 1508 R/TP
C798	0CH1103K512	O	O	CAPA,CHIP CERAMIC M/L H.D F/S	0.0100UF 50V K B 1608 R/TP
C799	0CH1104K942	O	O	CAPACITOR,CHIP[CERAMIC M/L HD	0.1UF 50V Z Y5V(F) 1508 R/TP
C7A1	0CQ2242L439	O	O	CAPACITOR,POLYESTER	0.22UF S 63V J M/PE NI TP
C7A2	0CK104AK945	O	O	CAPACITOR,CERAMIC (HIGH DIELEC	0.1UF S 50V Z F TR
C7A3	0CQ2242L439	O	O	CAPACITOR,POLYESTER	0.22UF S 63V J M/PE NI TP
C7A4	0CQ2242L439	O	O	CAPACITOR,POLYESTER	0.22UF S 63V J M/PE NI TP
C7A5	0CQ2242L439	O	O	CAPACITOR,POLYESTER	0.22UF S 63V J M/PE NI TP
C7A6	0CQ2242L439	O	O	CAPACITOR,POLYESTER	0.22UF S 63V J M/PE NI TP
C7A7	0CQ2242L439	O	O	CAPACITOR,POLYESTER	0.22UF S 63V J M/PE NI TP
COIL					
T701	6140R-C001C	O	O	COIL,CHOKE	KWANGSUNG
T702	6140R-C001C	O	O	COIL,CHOKE	KWANGSUNG
FILTER					
L701	6200S-JC01A	O	O	FILTER(CIRC),EMC	CERATECH TP

LOCA.NO	PART NO.	A	B	DESCRIPTION	SPECIFICATION
L702	6200S-JC01A	O	O	FILTER(CIRC),EMC	CERATECH TP
LY701	6920R-B202A	O	O	RELAY	HRS2H-S-DC5V NINGBO HUIGANG EL
IC					
IC701	0IAK535120A	O	O	IC,AKM	AK5351VF-E2 24SOP TP ADC 1K RE
IC702	0ILNRPH001B	O	O	IC,LINEAR	NE5532AD8 PHILIPS 8P SOP R/TP
IC703	0ILNRPH001B	O	O	IC,LINEAR	NE5532AD8 PHILIPS 8P SOP R/TP
IC704	0IAK439320A	O	O	IC,AKM	AK4393VF-E2 28SOP TP DAC 1K RE
IC705	0ILNRPH001B	O	O	IC,LINEAR	NE5532AD8 PHILIPS 8P SOP R/TP
IC706	0IAK439320A	O	O	IC,AKM	AK4393VF-E2 28SOP TP DAC 1K RE
IC707	0ILNRPH001B	O	O	IC,LINEAR	NE5532AD8 PHILIPS 8P SOP R/TP
IC708	0ILNRPH001B	O	O	IC,LINEAR	NE5532AD8 PHILIPS 8P SOP R/TP
IC709	0IPH740400F	O	O	IC,PHILIPS	74HCU04D SOT108-1 TP INVERTER
IC710	0IPH740400F	O	O	IC,PHILIPS	74HCU04D SOT108-1 TP INVERTER
JACK					
JK701	6612R-L002A	O	O	JACK,FIBER OPTIC	TOSHIBA
JK702	6620S-L001A	O	O	SOCKET (CIRC),DRAWING	SHARP OPTICAL H
JK705	6612S-C008A	O	O	JACK,RCA	PARK ELEC. 12YEON ACDR
RESISTOR					
R700	0RH3300C622	O	O	RESISTOR,METAL GLAZED(CHIP)	330 OHM 1 / 16 W 1608 5.00% D
R701	0RH3300C622	O	O	RESISTOR,METAL GLAZED(CHIP)	330 OHM 1 / 16 W 1608 5.00% D
R702	0RH3300C622	O	O	RESISTOR,METAL GLAZED(CHIP)	330 OHM 1 / 16 W 1608 5.00% D
R703	0RH3300C622	O	O	RESISTOR,METAL GLAZED(CHIP)	330 OHM 1 / 16 W 1608 5.00% D
R704	0RH2202C622	O	O	RESISTOR,METAL GLAZED(CHIP)	22K OHM 1 / 16 W 1608 5.00% D
R705	0RH2202C622	O	O	RESISTOR,METAL GLAZED(CHIP)	22K OHM 1 / 16 W 1608 5.00% D
R706	0RH4700C622	O	O	RESISTOR,METAL GLAZED(CHIP)	470 OHM 1 / 16 W 1608 5.00% D
R707	0RH0472C622	O	O	RESISTOR,METAL GLAZED(CHIP)	47 OHM 1 / 16 W 1608 5.00% D
R708	0RH0472C622	O	O	RESISTOR,METAL GLAZED(CHIP)	47 OHM 1 / 16 W 1608 5.00% D
R709	0RH0472C622	O	O	RESISTOR,METAL GLAZED(CHIP)	47 OHM 1 / 16 W 1608 5.00% D
R710	0RH4702C622	O	O	RESISTOR,METAL GLAZED(CHIP)	47K OHM 1 / 16 W 1608 5.00% D
R711	0RH4702C622	O	O	RESISTOR,METAL GLAZED(CHIP)	47K OHM 1 / 16 W 1608 5.00% D
R712	0RH4702C622	O	O	RESISTOR,METAL GLAZED(CHIP)	47K OHM 1 / 16 W 1608 5.00% D
R713	0RH4702C622	O	O	RESISTOR,METAL GLAZED(CHIP)	47K OHM 1 / 16 W 1608 5.00% D
R714	0RH1002C622	O	O	RESISTOR,METAL GLAZED(CHIP)	10K OHM 1 / 16 W 1608 5.00% D
R715	0RH4701C622	O	O	RESISTOR,METAL GLAZED(CHIP)	4.7K OHM 1 / 16 W 1608 5.00% D
R716	0RH1002C622	O	O	RESISTOR,METAL GLAZED(CHIP)	10K OHM 1 / 16 W 1608 5.00% D
R717	0RH3301C622	O	O	RESISTOR,METAL GLAZED(CHIP)	3.3K OHM 1 / 16 W 1608 5.00% D
R718	0RH2701C622	O	O	RESISTOR,METAL GLAZED(CHIP)	2.7K OHM 1 / 16 W 1608 5.00% D
R719	0RH1002C622	O	O	RESISTOR,METAL GLAZED(CHIP)	10K OHM 1 / 16 W 1608 5.00% D
R720	0RH4701C622	O	O	RESISTOR,METAL GLAZED(CHIP)	4.7K OHM 1 / 16 W 1608 5.00% D
R721	0RH3301C622	O	O	RESISTOR,METAL GLAZED(CHIP)	3.3K OHM 1 / 16 W 1608 5.00% D
R722	0RH2701C622	O	O	RESISTOR,METAL GLAZED(CHIP)	2.7K OHM 1 / 16 W 1608 5.00% D
R723	0RH1002C622	O	O	RESISTOR,METAL GLAZED(CHIP)	10K OHM 1 / 16 W 1608 5.00% D
R724	0RH1002C622	O	O	RESISTOR,METAL GLAZED(CHIP)	10K OHM 1 / 16 W 1608 5.00% D
R725	0RH1001C622	O	O	RESISTOR,METAL GLAZED(CHIP)	1K OHM 1 / 16 W 1608 5.00% D
R726	0RH1000C622	O	O	RESISTOR,METAL GLAZED(CHIP)	100 OHM 1 / 16 W 1608 5.00% D
R727	0RH1000C622	O	O	RESISTOR,METAL GLAZED(CHIP)	100 OHM 1 / 16 W 1608 5.00% D
R728	0RH1000C622	O	O	RESISTOR,METAL GLAZED(CHIP)	100 OHM 1 / 16 W 1608 5.00% D
R729	0RH4701C622	O	O	RESISTOR,METAL GLAZED(CHIP)	4.7K OHM 1 / 16 W 1608 5.00% D
R730	0RH1201C622	O	O	RESISTOR,METAL GLAZED(CHIP)	1.2K OHM 1 / 16 W 1608 5.00% D
R731	0RH1201C622	O	O	RESISTOR,METAL GLAZED(CHIP)	1.2K OHM 1 / 16 W 1608 5.00% D
R732	0RH1201C622	O	O	RESISTOR,METAL GLAZED(CHIP)	1.2K OHM 1 / 16 W 1608 5.00% D
R733	0RH1201C622	O	O	RESISTOR,METAL GLAZED(CHIP)	1.2K OHM 1 / 16 W 1608 5.00% D
R734	0RH3301C622	O	O	RESISTOR,METAL GLAZED(CHIP)	3.3K OHM 1 / 16 W 1608 5.00% D
R735	0RH1001C622	O	O	RESISTOR,METAL GLAZED(CHIP)	1K OHM 1 / 16 W 1608 5.00% D
R736	0RH1001C622	O	O	RESISTOR,METAL GLAZED(CHIP)	1K OHM 1 / 16 W 1608 5.00% D
R737	0RH3901C622	O	O	RESISTOR,METAL GLAZED(CHIP)	3.9K OHM 1 / 16 W 1608 5.00% D
R738	0RH3301C622	O	O	RESISTOR,METAL GLAZED(CHIP)	3.3K OHM 1 / 16 W 1608 5.00% D
R739	0RH1001C622	O	O	RESISTOR,METAL GLAZED(CHIP)	1K OHM 1 / 16 W 1608 5.00% D
R740	0RH1001C622	O	O	RESISTOR,METAL GLAZED(CHIP)	1K OHM 1 / 16 W 1608 5.00% D
R741	0RH3901C622	O	O	RESISTOR,METAL GLAZED(CHIP)	3.9K OHM 1 / 16 W 1608 5.00% D
R742	0RH2202C622	O	O	RESISTOR,METAL GLAZED(CHIP)	22K OHM 1 / 16 W 1608 5.00% D
R743	0RH2202C622	O	O	RESISTOR,METAL GLAZED(CHIP)	22K OHM 1 / 16 W 1608 5.00% D
R744	0RH3900C622	O	O	RESISTOR,METAL GLAZED(CHIP)	390 OHM 1 / 16 W 1608 5.00% D
R745	0RH3900C622	O	O	RESISTOR,METAL GLAZED(CHIP)	390 OHM 1 / 16 W 1608 5.00% D
R746	0RH1001D622	O	O	RESISTOR,METAL GLAZED(CHIP)	1K OHM 1 / 10 W 2012 5.00% D
R747	0RH1001D622	O	O	RESISTOR,METAL GLAZED(CHIP)	1K OHM 1 / 10 W 2012 5.00% D

LOCA.NO	PART NO.	A	B	DESCRIPTION	SPECIFICATION
R786	0RH1000C622	O	O	RESISTOR,METAL GLAZED(CHIP)	100 OHM 1 / 16 W 1608 5.00% D
R787	0RH2200C622	O	O	RESISTOR,METAL GLAZED(CHIP)	220 OHM 1 / 16 W 1608 5.00% D
R788	0RH3301C622	O	O	RESISTOR,METAL GLAZED(CHIP)	3.3K OHM 1 / 16 W 1608 5.00% D
R789	0RH3301C622	O	O	RESISTOR,METAL GLAZED(CHIP)	3.3K OHM 1 / 16 W 1608 5.00% D
R790	0RH3301C622	O	O	RESISTOR,METAL GLAZED(CHIP)	3.3K OHM 1 / 16 W 1608 5.00% D
R791	0RH3301C622	O	O	RESISTOR,METAL GLAZED(CHIP)	3.3K OHM 1 / 16 W 1608 5.00% D
R792	0RH1000C622	O	O	RESISTOR,METAL GLAZED(CHIP)	100 OHM 1 / 16 W 1608 5.00% D
R793	0RH3301C622	O	O	RESISTOR,METAL GLAZED(CHIP)	3.3K OHM 1 / 16 W 1608 5.00% D
R794	0RH1500C622	O	O	RESISTOR,METAL GLAZED(CHIP)	150 OHM 1 / 16 W 1608 5.00% D
R795	0RH1002C622	O	O	RESISTOR,METAL GLAZED(CHIP)	10K OHM 1 / 16 W 1608 5.00% D
R796	0RH1004C622	O	O	RESISTOR,METAL GLAZED(CHIP)	1M OHM 1 / 16 W 1608 5.00% D
R797	0RH0000C622	O	O	RESISTOR,METAL GLAZED(CHIP)	0 OHM 1 / 16 W 1608 5.00% D
TRANSISTOR					
Q730	0TR319809AC	O	O	TRANSISTOR	KTC3198-TP-BL (KTC1815)KEC
Q731	0TR103009AF	O	O	TRANSISTOR	KRA103M-TP (KRA2203) KEC
Q750	0TR130209AA	O	O	TRANSISTOR	KTD1302 MUTING TP KEC TO92
Q751	0TR130209AA	O	O	TRANSISTOR	KTD1302 MUTING TP KEC TO92
Q752	0TR130209AA	O	O	TRANSISTOR	KTD1302 MUTING TP KEC TO92
Q753	0TR130209AA	O	O	TRANSISTOR	KTD1302 MUTING TP KEC TO92
Q754	0TR319809AC	O	O	TRANSISTOR	KTC3198-TP-BL (KTC1815)KEC
Q755	0TR130209AA	O	O	TRANSISTOR	KTD1302 MUTING TP KEC TO92
Q756	0TR103009AF	O	O	TRANSISTOR	KRA103M-TP (KRA2203) KEC
Q760	0TR103009AF	O	O	TRANSISTOR	KRA103M-TP (KRA2203) KEC
Q770	0TR319809AC	O	O	TRANSISTOR	KTC3198-TP-BL (KTC1815)KEC
MAIN SECTION (POWER)					
ASSEMBLY PARTS SECTION					
A49	3501R-3097N		O	BOARD ASSY	ADR710(NAD) EVNT
A49	3501R-3097P	O		BOARD ASSY	ADR710(NAD) EVNT
CAPACITOR					
C900	624-085D	O	O	CAPACITOR	CE 47UF/50V KME (SMPS)
C901 △	624-088F	O	O	CAPACITOR,DRAWING	PCX2 275V 0.1UF,M (PILKO)
C902	624-088F	O	O	CAPACITOR,DRAWING	PCX2 275V 0.1UF,M (PILKO)
C903	624-082C	O	O	CAPACITOR,AL.ELECTROLYTIC	100MF/400V SHL SMPS S/Y
C904	0CN223AK948	O	O	CAPACITOR,TUBULAR(HIGH DIELEC)	0.022UF 50V Z F TA26 S
C905	0CQ1031Y519	O	O	CAPACITOR,POLYESTER	0.01UF D 630V K PE NI TP
C906	624-087B	O	O	CAPACITOR	HIGH-VOL 100P/1KV SMPS SAMHWA
C909	0CQ4732K409	O	O	CAPACITOR,FIXED FILM	0.047UF S 50V J PE TP
C913	0CG3320U630		O	CAPACITOR,SEMI CERAMIC	3300 PF 400V M E R(NK,AD,SD)
C913	624-086E	O		CAPACITOR,FIXED CERAMIC(High d	AC-CON 472/400V(SC)
C914	624-086E	O		CAPACITOR,FIXED CERAMIC(High d	AC-CON 472/400V(SC)
C915	0CE2276D618	O	O	CAPACITOR,ELECTROLYTIC	220UF SMS 10V M FL TP5
C916	0CE108BF638	O	O	CAPACITOR,FIXED ELECTROLYTIC	1000UF KME TYPE 16V M FM5 TP 5
C917	0CE4764K638	O	O	CAPACITOR,FIXED ELECTROLYTIC	47M SRA 50V M FM5 TP(5)
C918	0CE1076F638	O	O	CAPACITOR,AL.ELECTROLYTIC	100M SMS 16V M FM5 TP(5)
C919	624-085D	O	O	CAPACITOR	CE 47UF/50V KME (SMPS)
C921	624-085D	O	O	CAPACITOR	CE 47UF/50V KME (SMPS)
C923	0CE108BF638	O	O	CAPACITOR,FIXED ELECTROLYTIC	1000UF KME TYPE 16V M FM5 TP 5
C924	0CE108BF638	O	O	CAPACITOR,FIXED ELECTROLYTIC	1000UF KME TYPE 16V M FM5 TP 5
C925	0CE3376D638	O	O	CAPACITOR,ELECTROLYTIC	330UF SMS 10V M FM5 TP5
C926	624-085D	O	O	CAPACITOR	CE 47UF/50V KME (SMPS)
C927	0CE4764K638	O	O	CAPACITOR,FIXED ELECTROLYTIC	47M SRA 50V M FM5 TP(5)
C928	0CQ4732K409	O	O	CAPACITOR,FIXED FILM	0.047UF S 50V J PE TP
C929	0CE1076F638	O	O	CAPACITOR,AL.ELECTROLYTIC	100M SMS 16V M FM5 TP(5)
C930	0CE4764K638	O	O	CAPACITOR,FIXED ELECTROLYTIC	47M SRA 50V M FM5 TP(5)
C931	0CE4764K638	O	O	CAPACITOR,FIXED ELECTROLYTIC	47M SRA 50V M FM5 TP(5)
C932	0CE1076F638	O	O	CAPACITOR,AL.ELECTROLYTIC	100M SMS 16V M FM5 TP(5)
C933	0CE3376D638	O	O	CAPACITOR,ELECTROLYTIC	330UF SMS 10V M FM5 TP5
C934	0CE1076F638	O	O	CAPACITOR,AL.ELECTROLYTIC	100M SMS 16V M FM5 TP(5)
C935	0CE1064H638	O	O	CAPACITOR,ELECTROLYTIC	10M SRA 25V M FM5 TP(5)
C936	0CE1076F638	O	O	CAPACITOR,AL.ELECTROLYTIC	100M SMS 16V M FM5 TP(5)
C937	0CE228CF630	O	O	CAPACITOR,ELECTROLYTIC	2200U SHL 16V M FM5
C938	0CE1064H638	O	O	CAPACITOR,ELECTROLYTIC	10M SRA 25V M FM5 TP(5)
* C901	624-088B	O	O	CAPACITOR	ECQU2A104MV 0.1UF/250V MATSUSI
* C902	624-088B	O	O	CAPACITOR	ECQU2A104MV 0.1UF/250V MATSUSI
COIL					
L903	633-088D	O	O	COIL,CHOKE	KWANGSUNG LEAD CUT

LOCA.NO	PART NO.	A	B	DESCRIPTION	SPECIFICATION
L904	633-088D	O	O	COIL,CHOKE	KWANGSUNG LEAD CUT
L905	633-088G	O	O	COIL,CHOKE	TOKO TP
L908	633-088G	O	O	COIL,CHOKE	TOKO TP
L909	633-088G	O	O	COIL,CHOKE	TOKO TP
L910	633-088G	O	O	COIL,CHOKE	TOKO TP
L911	633-088G	O	O	COIL,CHOKE	TOKO TP
BC901	636-004C	O	O	COIL	BEAD CORE BFS3550R2FD8,R T/P
W917	0LR0102K035	O	O	INDUCTOR RADIAL LEAD	10M K 6X6 L5 TP
DIODE					
D901	0DD221009AA	O	O	DIODE,RECTIFIERS	ERA22-10 KFLB,TP ,R T/P,FUJI
D902	0DD010009AC	O	O	DIODE	EU01W(R-FORM) TP SANKEN
D906	0DR310000AA	O	O	DIODE,RECTIFIERS	RU3YXLF-C1 BK SANKEN D4 100V 2
D907	0DD010009AC	O	O	DIODE	EU01W(R-FORM) TP SANKEN
D908	0DD010009AC	O	O	DIODE	EU01W(R-FORM) TP SANKEN
D909	0DRSA00020A	O	O	DIODE,RECTIFIERS	FMB-G24H LF651 SANKEN BK NON
D910	0DD010009AC	O	O	DIODE	EU01W(R-FORM) TP SANKEN
D911	0DR104009AB	O	O	DIODE,RECTIFIER	RL104 R. TP GULF SEMICONDUCTOR
D920	0DD010009AC	O	O	DIODE	EU01W(R-FORM) TP SANKEN
BD901	0DD160000DA	O	O	DIODE	S1WBA60(1A 600V) SHIDENKEN
FILTER					
L901 △	616-145M	O	O	FILTER(CIRC),DRAWING	V-04350 LS FUTAI BULK =616-145
FUSE					
F901 △	585-011T		O	FUSE,SLOW BLOW	1600MA 250 V 5.2X20 CY/GL SEMK
F901 △	585-027B	O		FUSE,SLOW BLOW	1600MA 250 V 5.2X20 CY/GL KS /
IC					
IC901	0ISK615300A	O	O	IC,SANKEN	STR-G6153T 5PIN FM CUT BK PWM
IC902 △	657-063A	O	O	SENSOR	LTV-817B,PHOTO COUPLER(LITEON)
IC904	0ISS431000A	O	O	IC,SAMSUNG ELECTRONICS	KA431AZ (LM431AZ)
IC905	0ISS781200E	O	O	IC,SAMSUNG SEMICONDUCTOR	KA78R12 TO-220 LD 1A REGL
IC906	0ISS791200A	O	O	IC,SAMSUNG SEMICONDUCTOR	KA7912 ST REGULATOR IC
IC907	0IKE781200B	O	O	IC,KEC	KIA7812PI 12V 1A,KEC
* IC902	657-062B	O	O	SENSOR	PC123Y PHOTO-COUPLER(SARPH)
RESISTOR					
R900	0RD1504H632	O		RESISTOR,FIXED CARBON FILM	1.5M OHM 1/2 W 5.00% MF10
R901	614-007A	O	O	RESISTOR	2.7/2W CEMENT SMPS V
R902	0RS1003K619	O	O	RESISTOR,FIXED METAL OXIDE FIL	100K OHM 2 W 5.00% TR
R904	0RS5602K619	O	O	RESISTOR,FIXED METAL OXIDE FIL	56K OHM 2 W 5.00% TR
R905	0RD8202F608	O	O	RESISTOR,FIXED CARBON FILM	82K OHM 1/6 W 5.00% TA26
R911	0RS0350K619	O	O	RESISTOR,FIXED METAL OXIDE FIL	0.35 OHM 2 W 5.00% TR
R912	0RD0391F608	O	O	RESISTOR,FIXED CARBON FILM	3.9 OHM 1/6 W 5.00% TA26
R919	0RD4701F608	O	O	RESISTOR,FIXED CARBON FILM	4.7K OHM 1/6 W 5.00% TA26
R920	0RD4702F608	O	O	RESISTOR,FIXED CARBON FILM	47K OHM 1/6 W 5.00% TA26
R921	0RD1201F608	O	O	RESISTOR,FIXED CARBON FILM	1.2K OHM 1/6 W 5.00% TA26
R922	0RS1200J619	O	O	RESISTOR,FIXED METAL OXIDE FIL	120 OHM 1 W 5.00% TR
R923	0RD4701F608	O	O	RESISTOR,FIXED CARBON FILM	4.7K OHM 1/6 W 5.00% TA26
R924	0RD3300F608	O	O	RESISTOR,FIXED CARBON FILM	330 OHM 1/6 W 5.00% TA26
R925	0RD2201F608	O	O	RESISTOR,FIXED CARBON FILM	2.2K OHM 1/6 W 5.00% TA26
R926	0RD1001F608	O	O	RESISTOR,FIXED CARBON FILM	1K OHM 1/6 W 5.00% TA26
R927	0RN3601E408	O	O	RESISTOR,FIXED METAL FILM	3.6K OHM 1/8 W 1.00% TA26
R928	0RN3301F408	O	O	RESISTOR,FIXED METAL FILM	3.3K OHM 1/6 W 1.00% TA26
R929	0RD4702F608	O	O	RESISTOR,FIXED CARBON FILM	47K OHM 1/6 W 5.00% TA26
R930	0RD4701F608	O	O	RESISTOR,FIXED CARBON FILM	4.7K OHM 1/6 W 5.00% TA26
R931	0RS1200J619	O	O	RESISTOR,FIXED METAL OXIDE FIL	120 OHM 1 W 5.00% TR
R933	0RD1201F608	O	O	RESISTOR,FIXED CARBON FILM	1.2K OHM 1/6 W 5.00% TA26
R941	0RD1002F608	O	O	RESISTOR,FIXED CARBON FILM	10K OHM 1/6 W 5.00% TA26
R942	0RD1002F608	O	O	RESISTOR,FIXED CARBON FILM	10K OHM 1/6 W 5.00% TA26
R943	0RD2201F608	O	O	RESISTOR,FIXED CARBON FILM	2.2K OHM 1/6 W 5.00% TA26
TRANSISTOR					
Q901	0TR319809AC	O	O	TRANSISTOR	KTC3198-TP-BL (KTC1815)KEC
Q902	0TR115100AA	O	O	TRANSISTOR	KSB1151-Y BK SAMSUNG TO-126
Q904	0TR102009AE	O	O	TRANSISTOR	KRA102M (KRA2202) TP KEC TO
Q907	0TR115100AA	O	O	TRANSISTOR	KSB1151-Y BK SAMSUNG TO-126
Q908	0TR319809AC	O	O	TRANSISTOR	KTC3198-TP-BL (KTC1815)KEC
Q910	0TR130209AA	O	O	TRANSISTOR	KTD1302 MUTING TP KEC TO92
Q911	0TR130209AA	O	O	TRANSISTOR	KTD1302 MUTING TP KEC TO92
* Q901	0TR319909AF	O	O	TRANSISTOR,BIPOLARS	KTC3199-BL MINI TP KEC

LOCA.NO	PART NO.	A	B	DESCRIPTION	SPECIFIATION
* Q908	0TR319909AF	O	O	TRANSISTOR,BIPOLARS	KTC3199-BL MINI TP KEC
TRANSFORMER					
T901 \triangle	642-023Z	O	O	TRANSFORMER,SMPS	CSE-023Z SUJEONG WIDE EER-2828
ZENER DIODE					
ZD901	0DZ510009EC	O	O	DIODE,ZENER	MTZJ5.1B,0.5W,TP TP ROHM
MAIN SECTION (JACK)					
ASSEMBLY PARTS SECTION					
A43-4	6871RJ3129A	O	O	PWB(PCB) ASSY,JACK(AUDIO)	ADR710(NAD) EVNT
JACK					
JK802	572-359J	O	O	JACK 6.4	SOQ4694-01-4101 K-HOSIDEN H=6.
JK803	6612R-L005A	O	O	JACK,FIBER OPTIC	SHARP

CAUTION: The \triangle marks in the parts list designate components which have special characteristics important for safety and should be replaced only with types identical to those in the original circuit or specified in the parts list. Before replacing any of these components, read carefully the SAFETY PRECAUTIONS and SERVICING PRECAUTIONS in the manual. Do not degrade the safety of the unit through improper servicing.