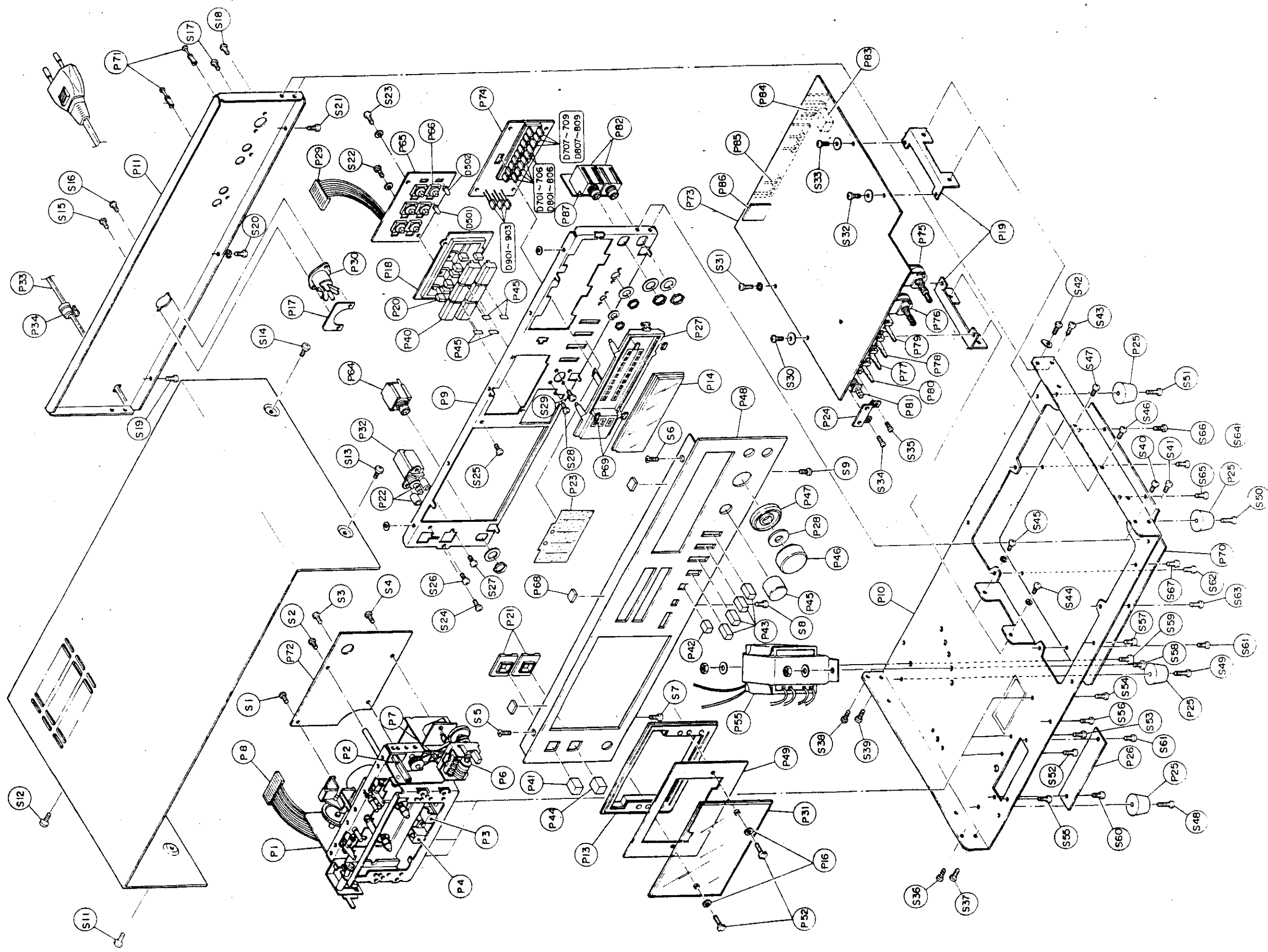


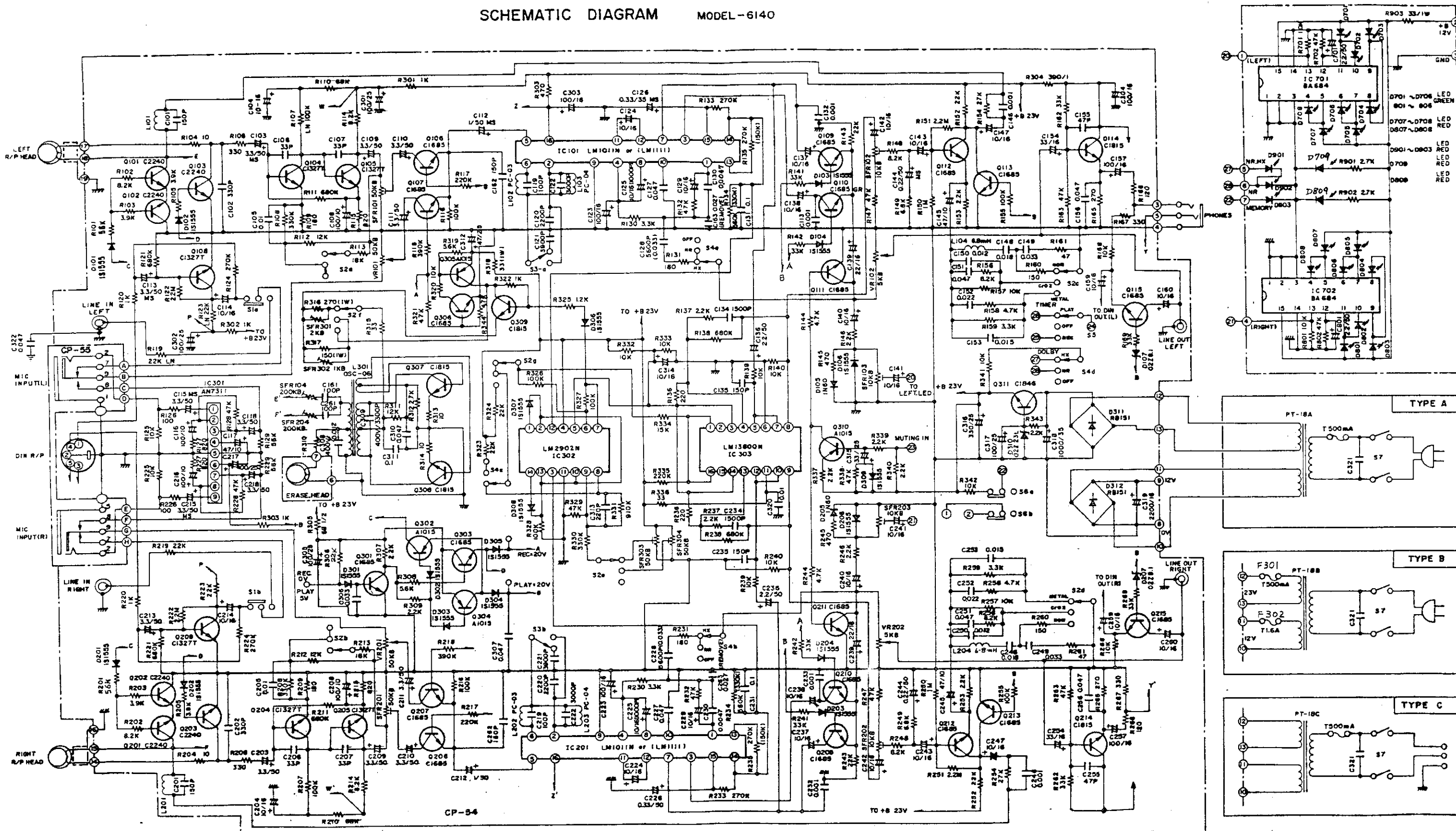
SERVICE DATA

MODEL-6140

EXPLODED VIEW MODEL - 6140

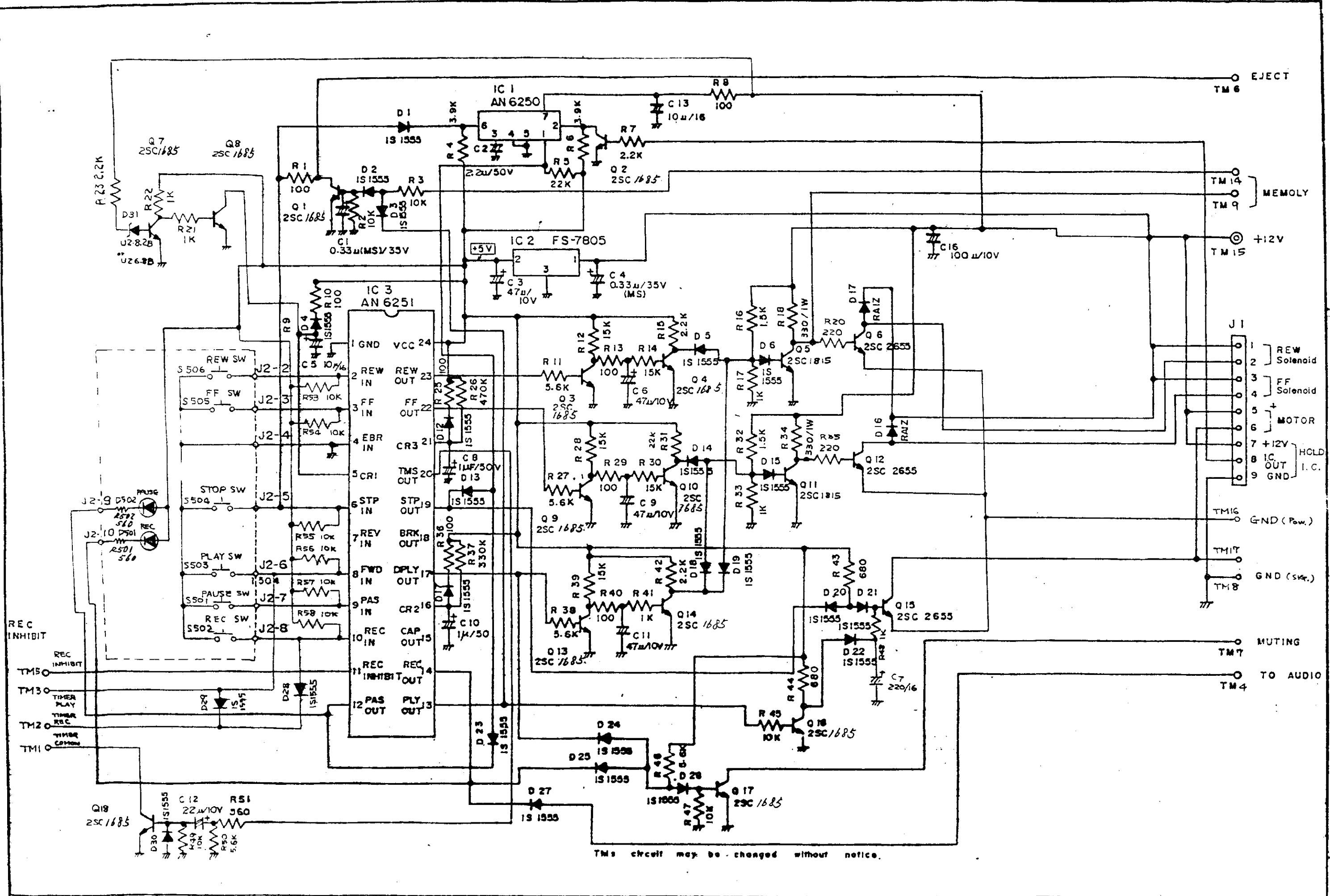


SCHEMATIC DIAGRAM MODEL - 6140



SCHEMATIC DIAGRAM

MODEL-6140



MODEL-6140 PARTS LIST

Ref. No.	Parts Name	Descriptions	Quantity
P 72	Printed Circuit Board	CP-33	1
IC 1	IC for Auto-Reverse	AN6250	1
IC 2	IC for Regulator	FS-7805C	1
IC 3	IC for Control	AN6251	1
IC 4	Hall IC	DN6838 or DN837	1
Q 1- 4	Transistor	2SC1685 or 2SC1815	4
Q 5	"	2SC1815(Y)	1
Q 6	"	2SC2655, 2SD667 or 2SC1368	1
Q 7-10	"	2SC1685 or 2SC1815	4
Q 11	"	2SC1815(Y)	1
Q 12	"	2SC2655, 2SD667 or 2SC1368	1
Q 13,14	"	2SC1685 or 2SC1815	2
Q 15	"	2SC2655, 2SD667 or 2SC1368	1
Q 16-18	"	2SC1685 or 2SC1815	3
D 1- 6	Diode	1S1555, 1SS53 or 1S1588	6
D 7	"	RA 1Z	1
D 8			
D 9			
D 10			
D 11			
D 12-15	Diode	1S1555, 1SS53 or 1S1588	4
D 16	"	RA 1Z	1
D 17-31	"	1S1555, 1SS53 or 1S1588	15

Ref. No.	Parts Name	Descriptions	Quantity
C 1	MS Capacitor	35V 0.33uF(M)	1
C 2	Electrolytic Capacitor	50V 2.2uF	1
C 3	"	10V 47uF	1
C 4	MS Capacitor	35V 0.33uF(M)	1
C 5	Electrolytic Capacitor	16V 10uF	1
C 6	"	10V 47uF	1
C 7	"	16V 220uF	1
C 8	"	50V 1uF	1
C 9	"	10V 47uF	1
C 10	"	50V 1uF	1
C 11	"	10V 47uF	1
C 12	"	10V 22uF	1
C 13	"	16V 10uF	1
C 14			
C 15			
C 16	Electrolytic Capacitor	16V 100uF	1
R 1	Carbon Resistor	RD1/4PSJ 100ohm	1
R 2,3	"	" 10Kohm	2
R 4	"	" 3.9Kohm	1
R 5	" (Low Noise)	" 22Kohm	1
R 6	"	" 3.9Kohm	1
R 7	"	" 2.2Kohm	1
R 8	"	" 100ohm	1
R 9			
R 10	Carbon Resistor	RD1/4PSJ 100ohm	1

Ref. No.	Parts Name	Descriptions	Quantity
R 11	Carbon Resistor	RD1/4PSJ 5.6Kohm	1
R 12	"	" 15Kohm	1
R 13	"	" 100ohm	1
R 14	"	" 15Kohm	1
R 15	"	" 2.2Kohm	1
R 16	"	" 1.5Kohm	1
R 17	"	" 1Kohm	1
R 18	Metal Oxide Film Resistor	MOR 1PJ 330ohm	1
R 19			
R 20	Metal Oxide Film Resistor	MOR 1PJ 220ohm	1
R 21,22	Carbon Resistor	RD1/4PSJ 1Kohm	2
R 23	"	" 2.2Kohm	1
R 24			
R 25	Carbon Resistor	RD1/4PSJ 100ohm	1
R 26	"	" 470Kohm	1
R 27	"	" 5.6Kohm	1
R 28	"	" 15Kohm	1
R 29	"	" 100ohm	1
R 30	"	" 15Kohm	1
R 31	"	" 2.2Kohm	1
R 32	"	" 1.5Kohm	1
R 33	"	" 1Kohm	1
R 34	Metal Oxide Film Resistor	MOR1PJ 330ohm	1
R 35	"	MOR1PJ 220ohm	1
R 36	Carbon Resistor	RD1/4 PSJ 100ohm	1
R 37	"	" 330Kohm	1
R 38	"	" 5.6Kohm	1

Ref. No.	Parts Name	Descriptions	Quantity
R 39	Carbon Resistor	RD1/4PSJ 15Kohm	1
R 40	"	" 100ohm	1
R 41	"	" 1Kohm	1
R 42	"	" 2.2Kohm	1
R 43,44	"	" 680ohm	2
R 45	"	" 10Kohm	1
R 46	"	" 5.6Kohm	1
R 47	"	" 10Kohm	1
R 48	"	" 1Kohm	1
R 49	"	" 10Kohm	1
R 50	"	" 5.6Kohm	1
R 51	"	" 560ohm	1
R 52	Zero Ohm Resistor		1
R 53-58	Carbon Resistor	RD1/4PSJ 10Kohm	6
R501,502	Zero Ohm Resistor		2
	"		4
	Connector (with Base) Post	B10P-SHF-1AA	1
	Connector	B9P-SHF-1AA	1
	Print Terminal	FL Lamp Pin	17
P 73	Printed Circuit Board	CP-54	1
IC 101 201	IC	LM1011N	2
IC 301	IC	AN7311	1
IC 302	IC	LM2902N	1
IC 303	IC	LM13600N	1

Ref. No.	Parts Name	Descriptions	Quantity
Q 101,102 201,202	Transistor	2SC2240BL	4
Q 103 203	"	2SC2240 or 2SC1345E	2
Q 104,105 204,205	"	2SC1327, 2SC1328 or 2SC2240	4
Q 106,107 206,207	"	2SC1685(Q)	4
Q 108 208	"	2SC1327, 2SC1328 or 2SC2240	2
Q 109,110 209,210	"	2SC1685(Q)	4
Q 111 211	"	2SC1685 or 2SC1815	2
Q 112 212	"	2SC1685(Q)	2
Q 113 213	"	2SC1685 or 2SC1815	2
Q 114 214	"	2SC1815	2
Q 115 215	"	2SC1685 or 2SC1815	2
Q 301	"	2SC1685 or 2SC1815	1
Q 302	"	2SA1015(Y)	1
Q 303	"	2SC1685 or 2SC1815	1
Q 304,305	"	2SA1015(Y)	2
Q 306	"	2SC1685 or 2SC1815	1
Q307-309	"	2SC1815	3
Q 310	"	2SA1015(Y)	1
Q 311	"	2SC1846(R)	1
D 101-104 201-204	Diode	1S1555, 1SS53 or 1S1588	8
D 105 205	"	1N60	2
D 106 206	"	1S1555, 1SS53 or 1S1588	2
D 107 207	Zener Diode	UZ9.1B	2
D301-309	Diode	1S1555, 1SS53 or 1S1588	9

Ref. No.	Parts Name	Descriptions	Quantity
D 310	Zener Diode	UZ23B	1
D 311	Silicon Stack	RB151	1
D 312	"	RB151	1
C 101 201	Ceramic Capacitor	1H 150PF K.SL	2
C 102 202	"	1H 330PF K.SL	2
C 103 203	MS Capacitor	50V 3.3uF(M)	2
C 104 204	Electrolytic Capacitor	16V 10uF	2
C 105 205	Mylar Capacitor	1H 0.01uF J	2
C 106 206	Ceramic Capacitor	1H 33PF K.SL	2
C 107 207	"	1H 33PF K.SL	2
C 108 208	Electrolytic Capacitor	10V 100uF	2
C 109 209	"	50V 3.3uF	2
C 110 210	"	50V 3.3uF	2
C 111 211	"	50V 3.3uF	2
C 112 212	MS Capacitor	50V 1uF(M)	2
C 113 213	"	50V 3.3uF(M)	2
C 114 214	Electrolytic Capacitor	16V 10uF	2
C 115 215	MS Capacitor	50V 3.3uF(M)	2
C 116 216	Electrolytic Capacitor	10V 100uF	2
C 117	"	10V 47uF	1
C 217	"	25V 100uF	1
C 118 218	"	50V 3.3uF	2
C 119 219	Ceramic Capacitor	1H 100PF K.SL	2
C 120 220	Mylar Capacitor	1H 0.0022uF(J)	2
C 121 221	"	1H 0.0039uF(J)	2
C 122 222	"	1H 0.003uF(J)	2

Ref. No.	Parts Name	Descriptions	Quantity
C 123 223	Electrolytic Capacitor	16V 100uF	2
C 124 224	"	16V 10uF	2
C 125 225	"	16V 10uF	2
C 126 226	MS Capacitor	35V 0.33uF(M)	2
C 127 227	Mylar Capacitor	1H 0.047uF(J)	2
C 128 228	"	1H 0.0056uF(H)	2
C 129 229	Electrolytic Capacitor	16V 10uF	2
C 130 230	Mylar Capacitor	1H 0.0047uF(H)	2
C 131 231	"	1H 0.1uF (K)	2
C 132 232	"	1H 0.001uF(M)	2
C 133 233	"	1H 0.001uF(M)	2
C 134 234	"	1H 0.0015uF(H)	2
C 135 235	Ceramic Capacitor	1H 150PF K SL	2
C 136 236	Electrolytic Capacitor	50V 2.2uF	2
C 137 237	"	16V 10uF	2
C 138 238	"	16V 10uF	2
C 139 239	"	16V 22uF	2
C 140 240	"	16V 10uF	2
C 141 241	"	16V 10uF	2
C 142 242	"	16V 10uF	2
C 143 243	"	16V 10uF	2
C 144 244	MS Capacitor	50V 0.22uF(M)	2
C 145 245	Electrolytic Capacitor	10V 47uF	2
C 146 246	Mylar Capacitor	1H 0.001uF J	2
C 147 247	Electrolytic Capacitor	16V 10uF	2
C 148 248	Mylar Capacitor	1H 0.018uF J	2
C 149 249	"	1H 0.033uF J	2

Ref. No.	Parts Name	Descriptions	Quantity
C 150 250	Mylar Capacitor	1H 0.012uF J	2
C 151 251	"	1H 0.047uF J	2
C 152 252	"	1H 0.022uF J	2
C 153 253	"	1H 0.015uF J	2
C 154 254	Electrolytic Capacitor	16V 33uF	2
C 155 255	Ceramic Capacitor	1H 47PF K. SL	2
C 156 256	"	1H 0.047uF Z	2
C 157 257	Electrolytic Capacitor	16V 100uF	2
C 158 258	"	50V 1uF	2
C 159 259	"	16V 10uF	2
C 160 260	"	16V 10uF	2
C 161 261	Ceramic Capacitor	1H 100PF K. SL	2
C 162 262	"	1H 150PF K. SL	2
C 163 263	Mylar Capacitor	1H 0.027uF (J)	2
C 301	Electrolytic Capacitor	25V 100uF	1
C 302	"	25V 100uF	1
C 303	"	16V 100uF	1
C 304	"	16V 100uF	1
C 305	"	25V 100uF	1
C 306	Mylar Capacitor	1H 0.033uF K	1
C 307	Ceramic Capacitor	1H 0.047uF Z	1
C 308	Polystyrene Capacitor	400V 0.012uF J	1
C 309	"	400V 0.0033uF J	1
C 310	Mylar Capacitor	1H 0.047uF K	1
C 311	"	1H 0.1uF M	1
C 312	Electrolytic Capacitor	25V 47uF	1
C 313	Ceramic Capacitor	1H 220PF K. SL	1

Ref. No.	Parts Name	Descriptions	Quantity
C 314	Electrolytic Capacitor	16V 10uF	1
C 315	"	25V 33uF	1
C 316	"	25V 330uF	1
C 317	"	25V 100uF	1
C 318	"	35V 1000uF	1
C 319	"	16V 2200uF (16φx25 L)	1
C 320	Mylar Capacitor	1H 0.01uF K	1
C 322	Ceramic Capacitor	1H 0.047uF Z	1
R 101 201	Carbon Resistor	RD1/4PSJ 56Kohm	2
R 102 202	"	" 8.2Kohm	2
R 103 203	"	" 3.9Kohm	2
R 104 204	"	" 10ohm	2
R 105 205	"	" 3.9Kohm	2
R 106 206	"	" 330ohm	2
R 107 207	" (Low Noise)	" 100Kohm	2
R 108 208	"	" 330Kohm	2
R 109 209	"	" 180ohm	2
R 110 210	"	" 68Kohm	2
R 111 211	" (Low Noise)	" 680Kohm	2
R 112 212	"	" 12Kohm	2
R 113 213	"	" 18Kohm	2
R 114 214	"	" 8.2Kohm	2
R 115 215	"	" 820ohm	2
R 116 216	" (Low Noise)	" 100Kohm	2
R 117 217	"	" 220Kohm	2
R 118 218	"	" 390Kohm	2
R 119 219	" (Low Noise)	" 22Kohm	2

Ref. No.	Parts Name	Descriptions	Quantity
R 120 220	Carbon Resistor	RD1/4PSJ 1Kohm	2
R 121 221	" (Low Noise)	" 680Kohm	2
R 122 222	"	" 2.2Mohm	2
R 123 223	" (Low Noise)	" 22Kohm	2
R 124 224	" (Low Noise)	" 270Kohm	2
R 125 225	"	" 10Kohm	2
R 126 226	"	" 100ohm	2
R 127 227	"	" 820ohm	2
R 128 228	"	" 47Kohm	2
R 129 229	"	" 56Kohm	2
R 130 230	"	" 3.3Kohm	2
R 131 231	"	" 180ohm	2
R 132 232	"	" 47Kohm	2
R 133 233	" (Low Noise)	" 270Kohm	2
R 134 234	"	" 560Kohm	2
R 135 235	" (Low Noise)	" 270Kohm	2
R 136 236	"	" 220ohm	2
R 137 237	"	" 2.2Kohm	2
R 138 238	" (Low Noise)	" 680Kohm	2
R 139 239	"	" 10Kohm	2
R 140 240	"	" 10Kohm	2
R 141 241	"	" 33Kohm	2
R 142 242	"	" 33Kohm	2
R 143 243	" (Low Noise)	" 22Kohm	2
R 144 244	"	" 4.7Kohm	2
R 145 245	"	" 470ohm	2
R 146 246	"	" 2.2Kohm	2
R 147 247	"	" 47Kohm	2

Ref. No.	Parts Name	Descriptions	Quantity
R 148 248	Carbon Resistor	RD1/4PSJ 8.2Kohm	2
R 149 249	"	" 6.8Kohm	2
R 150 250	"	" 1Mohm	2
R 151 251	"	" 2.2Mohm	2
R 152 252	" (Low Noise)	" 22Kohm	2
R 153 253	"	" 2.2Kohm	2
R 154 254	"	" 27Kohm	2
R 155 255	" (Low Noise)	" 100Kohm	2
R 156 256	"	" 8.2Kohm	2
R 157 257	"	" 10Kohm	2
R 158 258	"	" 4.7Kohm	2
R 159 259	"	" 3.3Kohm	2
R 160 260	"	" 150ohm	2
R 161 261	"	" 47ohm	2
R 162 262	"	" 33Kohm	2
R 163 263	"	" 47Kohm	2
R 164 264	Zero Ohm Resistor		2
R 165 265	Carbon Resistor	RD1/4PSJ 270ohm	2
R 166 266	"	" 120ohm	2
R 167 267	"	" 33ohm	2
R 168 268	"	" 10Kohm	2
R 169 269	"	" 33Kohm	2
R 301	Carbon Resistor	RD1/4PSJ 1Kohm	1
R 302	"	" 1Kohm	1
R 303	"	" 1Kohm	1
R 303	"	" 470ohm	1
R 304	Metal Oxide Film Resistor	MOR 1PJ 390ohm	1

Ref. No.	Parts Name	Descriptions	Quantity
R 305	Carbon Resistor	RD1/2PSJ 68ohm	1
R 306	"	RD1/4PSJ 22Kohm	1
R 307	"	" 2.2Kohm	1
R 308	"	" 5.6Kohm	1
R 309	"	" 2.2Kohm	1
R 310	"	" 1ohm	1
R 311	"	" 12Kohm	1
R 312	"	" 2.7Kohm	1
R 313	"	" 10ohm	1
R 314	"	" 10ohm	1
R 315	"	" 33ohm	1
R 316	Metal Oxide Film Resistor	MOR 1PJ 270ohm	1
R 317	"	" 150ohm	1
R 318	"	" 33ohm	1
R 319	Carbon Resistor	RD1/4PSJ 5.6Kohm	1
R 320	"	" 10Kohm	1
R 321	"	" 4.7Kohm	1
R 322	"	" 1Kohm	1
R 323	"	" 22Kohm	1
R 324	"	" 22Kohm	1
R 325	"	" 1.2Kohm	1
R 326	"	" 100Kohm	1
R 327	"	" 100Kohm	1
R 328	"	" 100Kohm	1
R 329	"	" 47Kohm	1
R 330	"	" 330Kohm	1
R 331	"	" 910Kohm	1
R 332	"	" 10Kohm	1

Ref. No.	Parts Name	Descriptions	Quantity
R 333	Carbon Resistor	RD1/4PJS 10Kohm	1
R 334	"	" 15Kohm	1
R 335	"	" 220Kohm	1
R 336	"	" 33ohm	1
R 337	"	" 2.2Kohm	1
R 338	"	" 4.7Kohm	1
R 339	"	" 2.2Kohm	1
R 340	"	" 2.2Kohm	1
R 341	"	" 10Kohm	1
R 342	"	" 10Kohm	1
R 343	"	" 2.7Kohm	1
SFR ¹⁰¹ ₂₀₁	Semi Variable Resistor	RV10FC-01-2 50Kohm	2
SFR ¹⁰² ₂₀₂	"	RV10FC-01-2 10Kohm	2
SFR ¹⁰³ ₂₀₃	"	RV10FC-01-2 10Kohm	2
SFR ¹⁰⁴ ₂₀₄	"	RV10FB-01-7 100Kohm	2
SFR301	Semi Variable Resistor	RV10FB-01-7 2Kohm	1
SFR302	"	RV10FB-01-7 1Kohm	1
SFR303	"	RV10FC-01-2 50Kohm	1
SFR304	"	RV10FC-01-2 50Kohm	1
L 101 201	Trap Coil	PC-02(White) 20mH	2
L 102 202	Filter Coil	PC-03(Orange) 36mH	2
L 103 203	"	PC-04(Yellow) 23mH	2
L 104 204	Peaking Coil	FS-1012 682J	2
L 301	OSC Coil	OSC-06	1
	Zero Ohm Resistor		20

Ref. No.	Parts Name	Descriptions	Quantity
	OSC Ring	SN-240559A	1
P 75	Variable Resistor	R113D-2776 50Kohm S-0416A	1
P 76	"	113G-8022-5 5Kohm S-0417	1
P 77	Lever Switch	SLL183SBC Shorting 8-3	1
P 78	"	SLL143SBC Shorting 4-3	1
P 79	"	SLL123SBC Shorting 2-3	1
P 80	"	SLL122SUC Shorting 2-2	1
P 81	Push Switch	ESB712022 S-0683	1
P 82	Microphone Jack	HLJ-290-01-01, S-G2343	2
P 83	DIN Switch	DW-721D-00 S-0449	1
P 84	DIN Jack	UC-0029	1
P 85	4P Pin Jack	UA-1069 #04 S-0647	1
	Fuse Clip		
P 86	Heat Sink (SJ)	SN-240799	1
P 87	P.C.B.	CP-55 (with CP-54)	(1)
		[Printed Circuit Board Ass'y CP-56 CP-57 for LED Meter]	
P 74	P.C.B.	CP-56	1
	P.C.B.	CP-57-A (with CP-56)	(1)
	P.C.B.	CP-57-B (with CP-56)	(1)
⁷⁰⁷⁻⁷⁰⁹ D ⁸⁰⁷⁻⁸⁰⁹ 801-803	LED	PR-5531K Red	9
⁷⁰¹⁻⁷⁰⁶ D ⁸⁰¹⁻⁸⁰⁶	LED	PG-5531KY Green	12
IC 701 801	IC	BA684A	2
C 701 801	Electrolytic Capacitor	50V 2.2uF	2

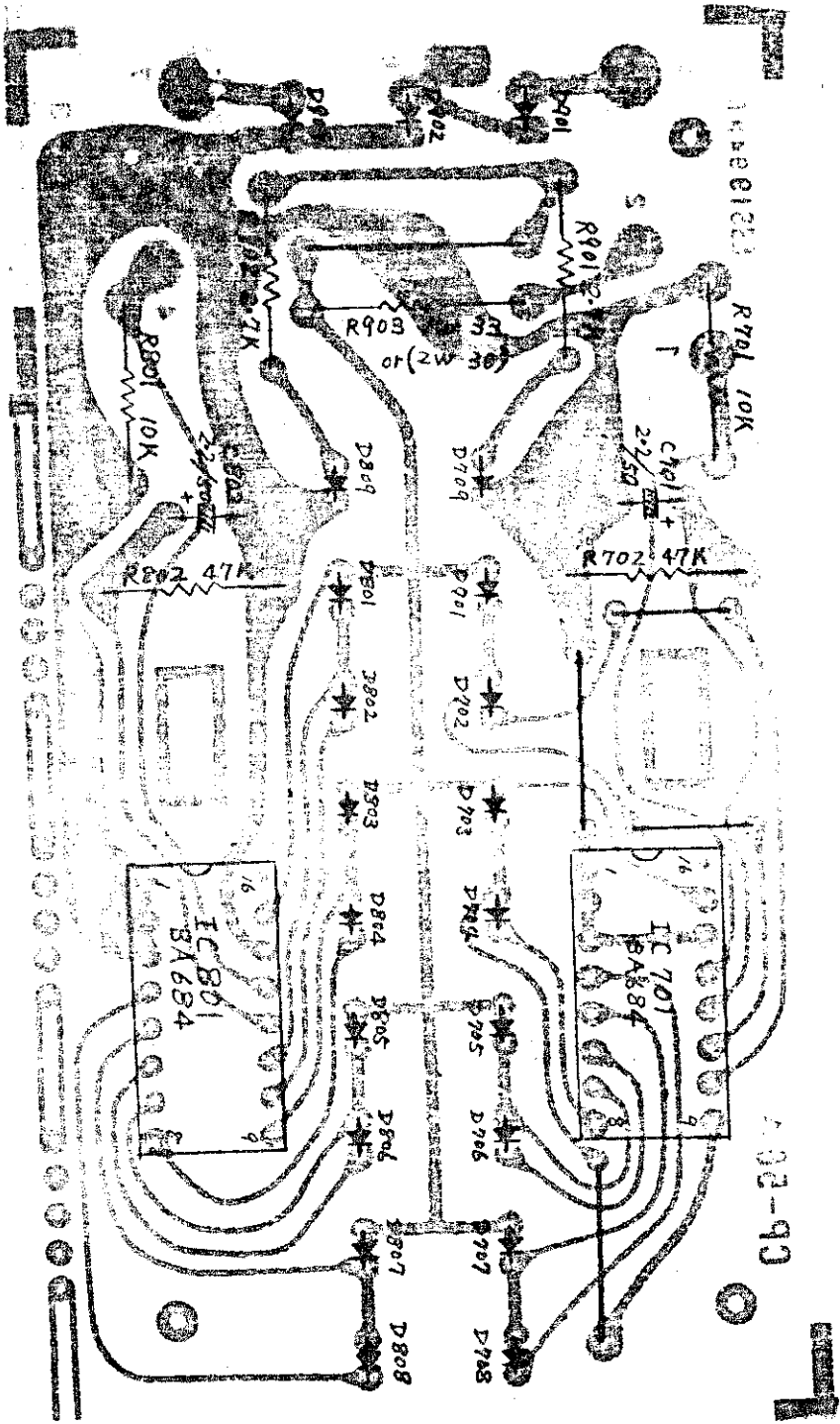
Ref. No.	Parts Name	Descriptions	Quantity
R 701 801	Carbon Resistor	RD1/4PJ 10Kohm	2
R 702 802	"	" 47Kohm	2
R 901	Carbon Resistor	RD1/4PJ 2.7Kohm	1
R 902	"	" 2.7 Kohm	1
R 903	Metal Oxide Film Resistor	MOR 1PJ 33ohm or MOR 2PJ 30 ohm	1
	[Mechanical Parts]		
P 1	Cassette Mechanism Ass'y	SDK-6140M	1
P 2	Mechanism Support	F-42078-0	2
P 3	R/P Head	H-571-02 (EIAJ) NO.S-0421	1
P 4	Erase Head	H-532-01-01 No.S-0557	1
P 5	D.C. Motor	MMX-6H2LSB No.S-0642 or MMX-5A2LSF	1
P 6	Tape Counter	T3N-RS1-10K-7M6 No.S-0602	1
P 7	Counter Bracket	SN-240797	1
P 8	9P Housing with wire	UI-011 No.S-0514	1
P 9	Sub Panel	SN-220188	1
P 10	Chassis	SN-220187	1
P 11	Rear Panel		
P 12	Top Cover (Metal)	SN-220186	1
P 13	Cassette Case (SB)	SN-230191	1
P 14	LED Window	SN-240793A	1
P 15	Spacer (SH)	SN-240624C	4
P 16	Nylon Ring #5	SN-230245	2
P 17	Screw Bracket	SN-240522A	1

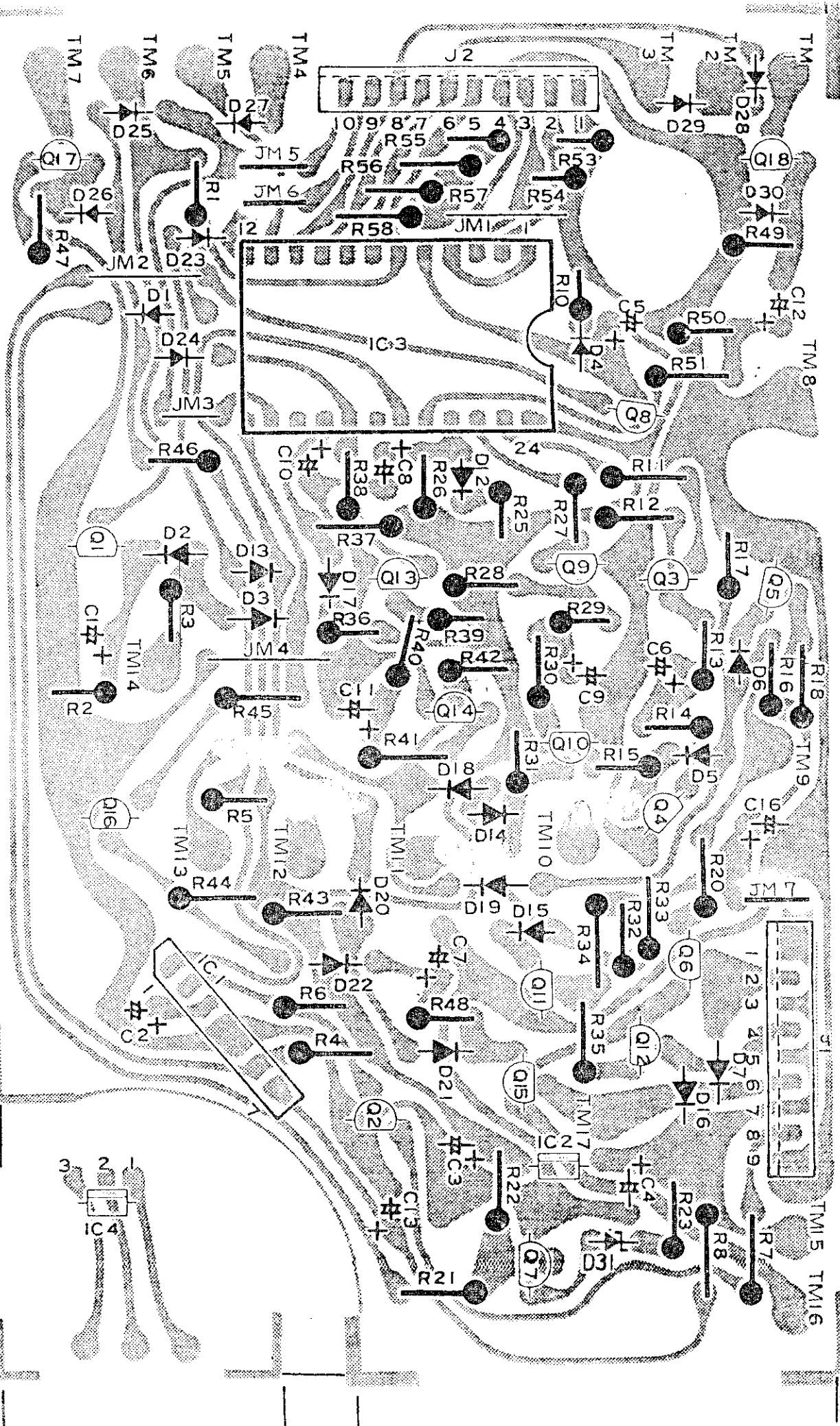
Ref. No.	Parts Name	Descriptions	Quantity
	Buttom Cover	SN-230244	1
P 18	Key Frame	SN-230192A	1
P 19	PC Board Bracket	SN-240789	2
P 20	Key Cushion	SN-240599A	12
P 21	Square Frame	SN-240505C-2 Black	2
P 22	BS Color #6	SN-230242A	2
P 23	Switch Masking Sheet	SN-240791	1
P 24	Switch Bracket	SN-240790	1
P 25	Rubber Leg	MB-5268	4
P 26	Mechanism Cover (SC)	SN-240792	1
P 27	LED Frame	SN-220193	1
P 28	Knob Cusion	SN-240734A	2
P 29	10P Housing with wire	UI-0009 No.S-0489	1
P 30	7P DIN Jack	D7-701B-00	1
P 31	Cassette Window (SJ)	SN-240824	1
P 32	Power Switch		1
P 33	AC Cord		1
P 34	Cord Stopper		1
P 35	Time-Lug Fuse	Secondary	1
P 36	"	Primary	1
P 37	Fuse Holder	Primary	1
P 38	Fuse Holder Bracket		1
P 39	Color Seal		1
P 40	Key Button (SC)	SN-240581	6
P 41	Plastic Knob	10A for Eject KB10A or KS10A	1
P 42	"	06A for Push Switch KBO6A KS06A	1

Ref. No.	Parts Name	Descriptions	Quantity
P 43	Plastic Knob	06B for Lever Switch ^{KB-06B} or ^{KS-06B}	4
P 44	"	10B for Power Switch ^{KB-10B} or ^{KS-10B}	1
P 45	Round Knob	18 ϕ AB-18D or KS-18D	1
P 46	Double Round Knob	RA WB-30H or WS-30H	1
P 47	"	RB WB-30H or WS-30H	1
P 48	Front Panel	SN-220190 silver or brown	1
P 49	Cassette Plate	SN-240606 silver or brown	1
P 50	Serial Plate		1
P 51	Fuse Label		1
P 52	Screw for Cassette Plate		2
P 53	DIN Cord		1
P 54	Instruction Manual		1
P 55	Power Transformer		1
C 321	Noise Capacitor		1
P 56	Screws	S-2174	set
P 57	Wires	S-2175	set
P 58	Crapper	AFC 130	3
P 59	SKB Bind	15160	21
P 60	Vinyl Bag #1	SN-230246	1
P 61	Snow Box	SN-220192H	1
P 62	Outer Carton Box	"S"	1/2
P 63	Inner Carton Box	"BX", "BY" or "BZ"	1
P 64	Headphone Jack	HLJ-264-01-07 No.S-0586	1

Ref. No.	Parts Name	Descriptions	Quantity
P 65	Printed Circuit Board	Control Circuit CP-28	1
R 501	Carbon Resistor	RD1/4PJ 560ohm	1
R 502	" "	" 330ohm	1
P 66	Key Switch	SCM81101 No. S-0448	6
D 501	LED Red	AR-3432S	1
D 502	LED Green	PG-3432SX	1
P 67	Flat Washer	6 ϕ x 3.3 ϕ x 0.3t SN-23048-1	2
P 68	FL Cushion	SN-2405670	3
P 69	Frame Cushion	SN-240841	4
P 70	Bottom Cover	SN-se0244	1
P 71	Plasty rivet	4 ϕ x 6 l	1

TOP VIEW
MODEL - 614-D
(CP-56)





133