



SERVICE MANUAL

3225PE

3020i

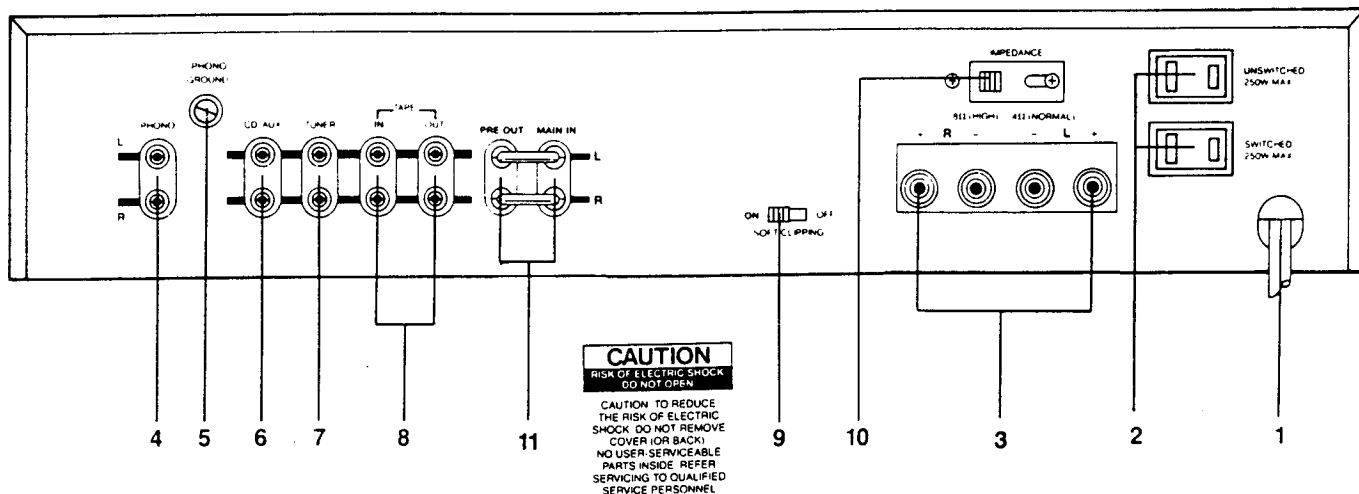
INTEGRATED AMPLIFIERS

CONTENTS
3225PE/3020i

REAR / FRONT PANEL CONNECTIONS	PAGE 3
SPECIFICATIONS	PAGE 4
ALIGNMENT METHOD	PAGE 5
3225PE/3020i PCB LAYOUT AND WIRING DIAGRAM	PAGE 6
3225PE PCB LAYOUT	PAGE 7 — 8
3225PE SCHEMATIC DIAGRAM	PAGE 9 — 10
3020i PCB LAYOUT	PAGE 11 — 12
3020i SCHEMATIC DIAGRAM	PAGE 13 — 14
3225PE/3020i PARTS LIST	PAGE 15
3225PE/3020i PARTS LIST, EXPLODED VIEW	PAGE 16 — 17
PACKING DIAGRAM	PAGE 18

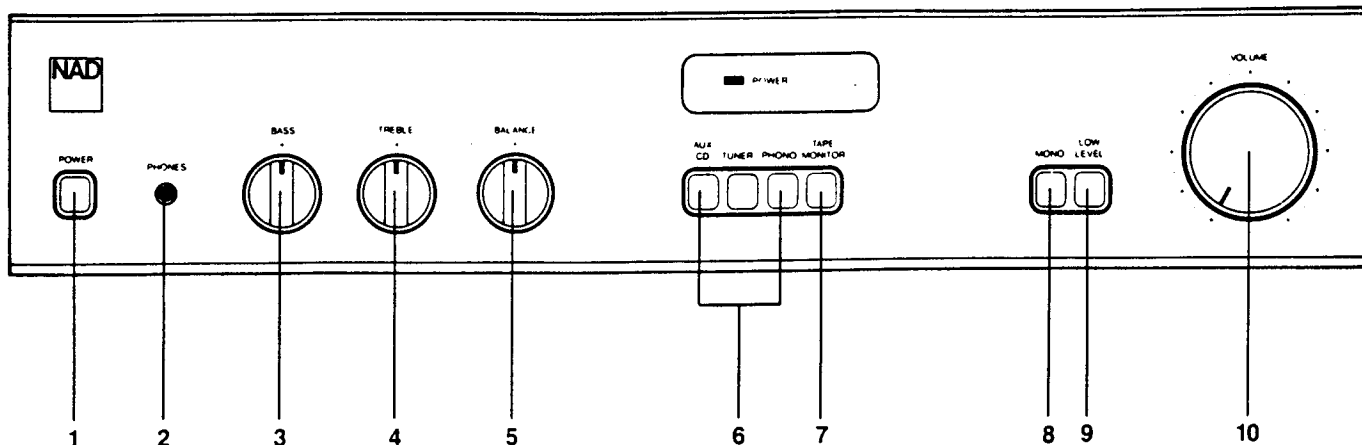
REAR PANEL

1. AC Line Cord.
2. AC Outlets (not in U.K. version).
3. Speakers.
4. Phono Input.
5. Phono Ground.
6. CD/Aux Input.
7. Tuner Input.
8. Tape Input-Output.
9. Soft Clipping.
10. Speaker Impedance.
11. Preamp Out/Main In



FRONT PANEL

1. Power.
2. Phones.
3. Bass.
4. Treble.
5. Balance.
6. Input Selector.
7. Tape Monitor.
8. Mono.
9. Low Level.
10. Volume.



INTEGRATED AMPLIFIER SPECIFICATION NAD 3020i/3225PE

Power Amplifier Section

Stereo Mode

		3020i	3225PE
CONTINUOUS AVERAGE POWER		20W (13dbW)	25W (14dbW)
OUTPUT INTO 8 OHMS			
(Min. Power per channel, 20Hz-20KHz, both channels driven, with no more than rated distortion)			
Rated Distortion		0.03 %	0.03 %
(THD 20Hz-20KHz)			
Clipping Power		30W	40W
(Maximum continuous power per channel)			
IHF Dynamic Headroom at 8 ohms		+3db	+4db
IHF Dynamic Power (Maximum short term power per channel)			
	8 ohms:	40W(16dbW)	60W(18dbW)
	4 ohms:	40W(16dbW)	85W(19dbW)
	2 ohms:	50W(17dbW)	90W(19.5dbW)
Slew Factor		> 50	> 50
Slew Rate		15V/uSec	15V/uSec
Damping Factor		> 40	> 40
(ref. 8 ohms 50 Hz)			
Input Impedance		R=20Kohm C=470pf	R=20Kohm C=820pf
Input Sensitivity	1W	200mV	
at 8 ohms	20W	900mV	
	25W		1V
Voltage Gain		X14 (23db)	X14 (23db)
Frequency Response		6Hz to 80KHz +0,-3db	6Hz to 60KHz +0,-3db
Signal/Noise ratio, A Weighted			
	Ref. 1W	100db	100db
	Ref. Rated power	113db	114db
THD		< 0.03 %	< 0.03 %
(Total Harmonic Distortion 20Hz-20KHz, from 250mW to rated output)			
SMPTE I.M.		< 0.03 %	< 0.03 %
(Intermodulation Distortion, 60Hz+7KHz, 4:1 From 250mW to rated output)			
IHF I.M.		< 0.03 %	< 0.03 %
(CCIF IM Distortion, 19+20KHz at rated output)			
Preamplifier Section			
Phono Input			
Input Impedance (R and C)	MM:	47Kohm + 300pf	47Kohm + 300pf
Input Sensitivity ref. 1W/20W	MM:	0.55mV/2.4mV	
1W/25W 1KHz	MM:		0.52mV/2.5mV
Input Overload at 20Hz	MM:	20mV	20mV
1KHz		200mV	200mV
20KHz		1.7V	1.7V
RIAA Accuracy		+/-0.5db	+/-0.5db
Signal/Noise ratio (A-Weighted with cartridge connected)			
ref. 5mV in.	MM:	75db	75db
Line Level Inputs (CD, Video, Tape)			
Input Impedance (R and C)		40Kohm + 440pf	40Kohm + 440pf
Input Sensitivity ref. 1W/20W		33mV/150mV	
1W/25W			34mV/160mV
Maximum Input Signal		> 10V	> 10V
Signal/Noise ratio (ref. 1W)		87db	87db
(A Weighted) (ref. rated power)		100db	101db
Frequency Response, 20Hz-20KHz		+0.5db, -1db -3db at 12Hz	+0.5db, -1db -3db at 12Hz
Infrasonic Filter		18db/Octave	18db/Octave
THD (20Hz-20KHz at 5V RMS Out)		0.01 %	0.01 %
Line Level Outputs			
Preamp Output Impedance		600 ohms	600 ohms
Maximum Output Level		14V	12V
Tape output Impedance		Source Z + 2K ohms	Source Z + 2K ohms
Controls			
Treble	10KHz	+/- 7db	+/- 7db
Bass	50Hz	+/- 10db	+/- 10db
Audio Muting (Low Level)		-20db	-20db
Power Consumption		140W	150W
Net Weight		5Kg	5Kg
Dimension (Width x Height x Depth)		420x80x250mm	420x80x250mm

ALIGNMENT METHOD

AUDIO SECTION 3225PE/3020i

IMPORTANT

Speaker impedance switch should be in 8 ohm position while adjust center voltage and idling current.

INITIAL ADJUSTMENT (No load connected)

A. CENTER VOLTAGE

1. Connector DC millivoltmeter to L channel output terminal.
2. Turn on and adjust to 0 V +/- 30mV with R411 (470 ohm). Connect DC millivoltmeter to R channel output terminal and adjust R412 to 0 V +/- 30mV.

B. IDLING CURRENT

1. Remove solder short across R455 and R456.
2. Connect DC millivoltmeter across R455 (1 ohm) (output transistor's collector resistor) and adjust R443 for 26-30mV reading on meter. Repeat adjustment with R444, connecting meter across R456 (1 ohm).
3. Leave power on for minimum 5 minutes.

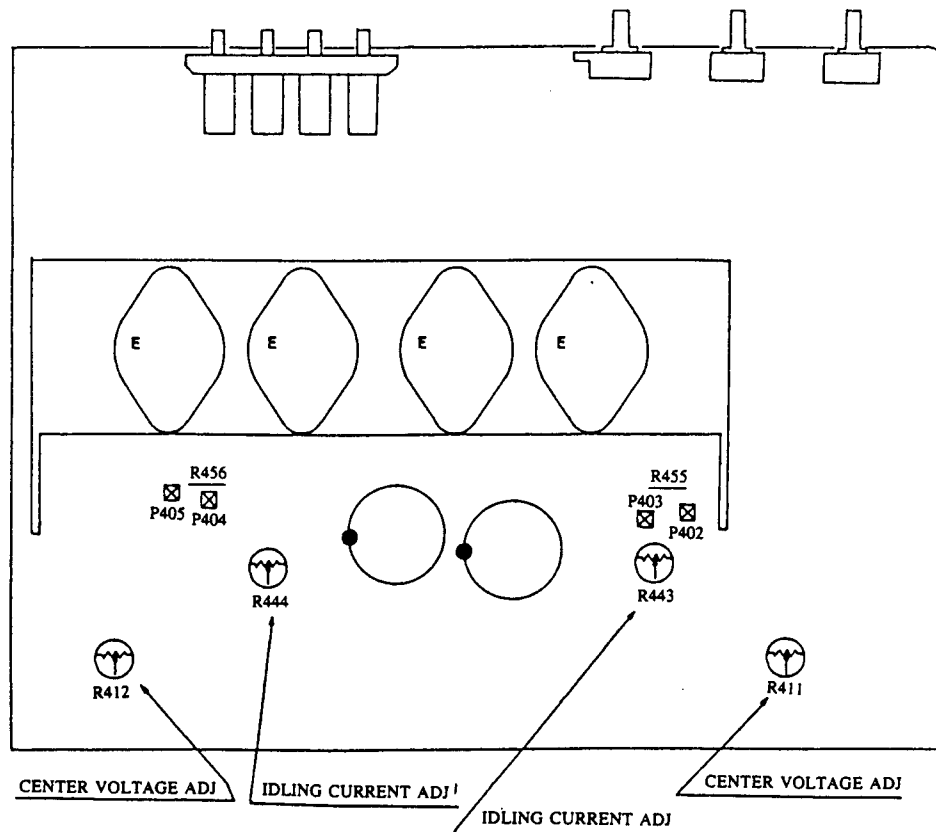
FINAL ADJUSTMENT

C. CENTER VOLTAGE

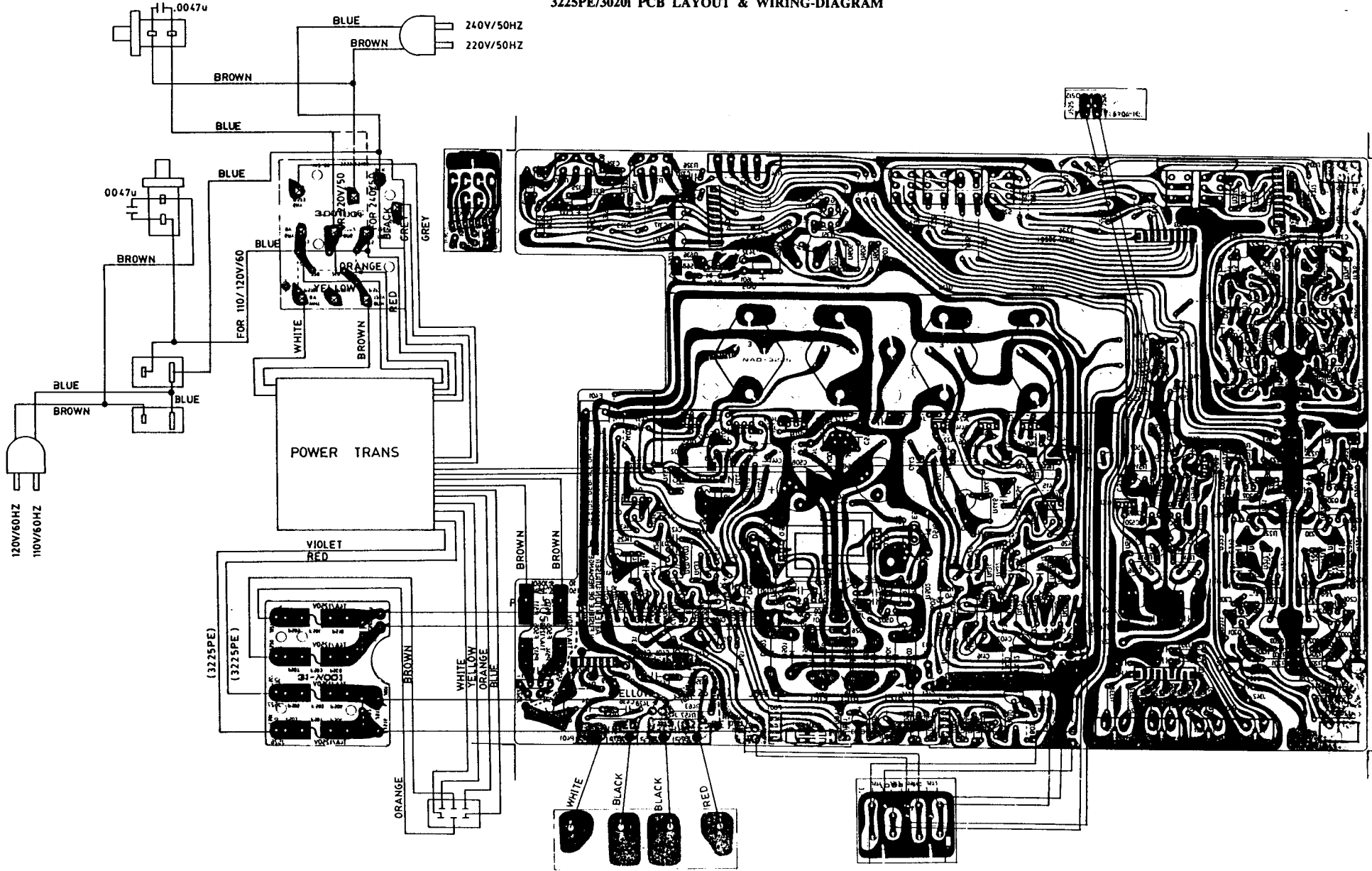
1. Repeat step A about.

D. IDLING CURRENT

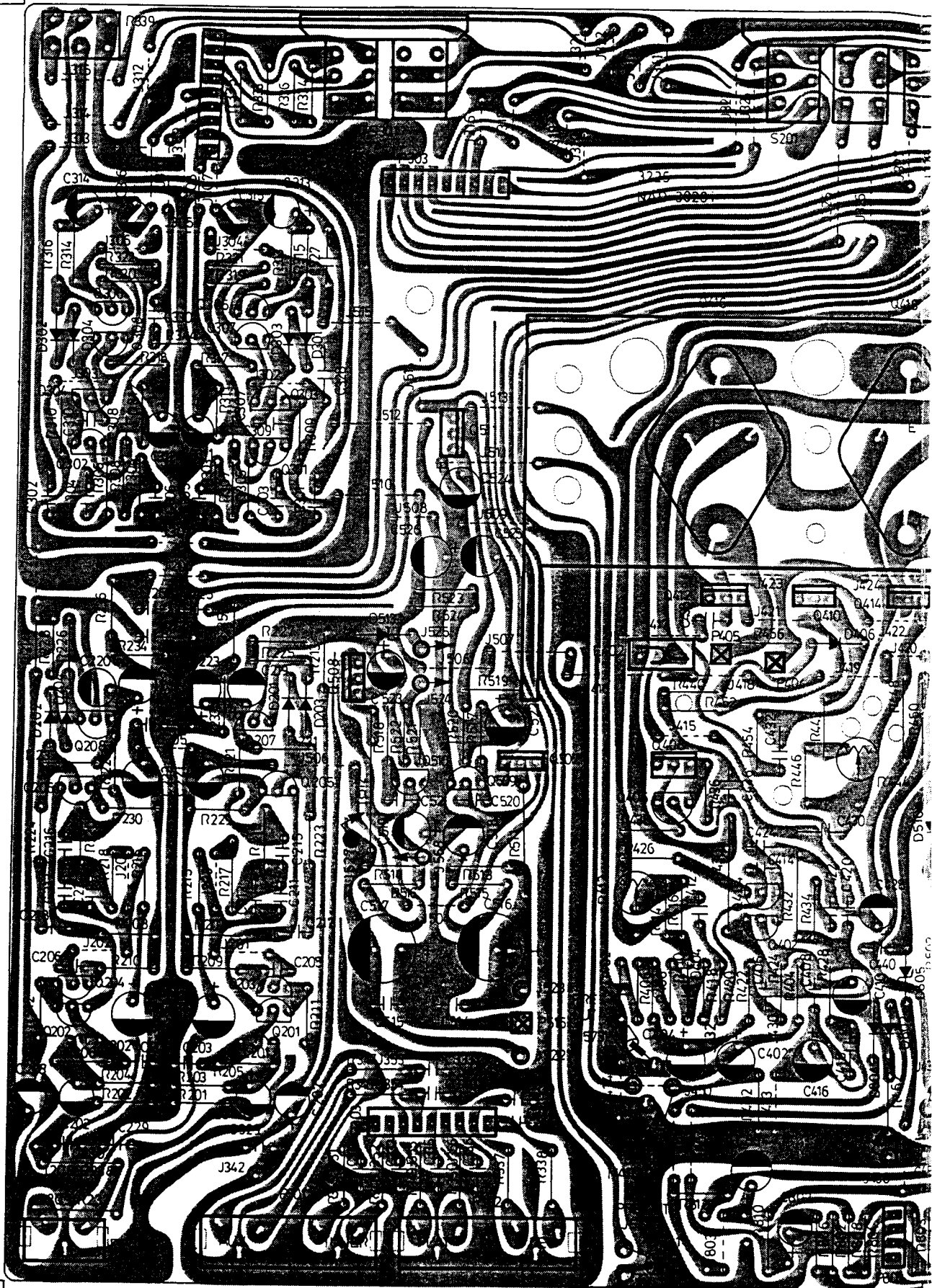
1. Repeat step B and adjust with R443, R444 for 30mV reading on meter.
2. After the alignment is finished, 1 ohm resistor R455, R456 is shorted by solder short.



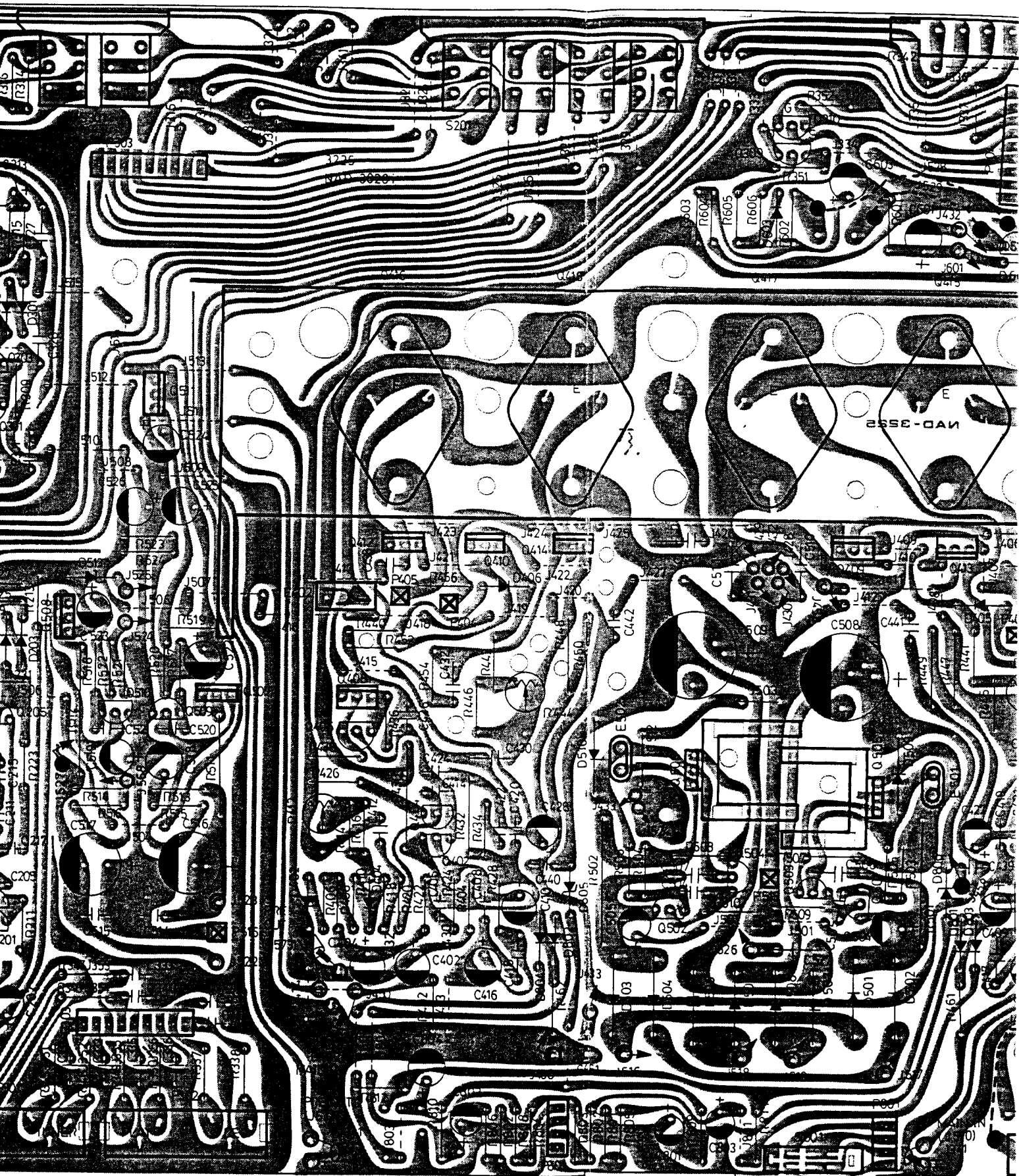
3225PE/3020I PCB LAYOUT & WIRING-DIAGRAM

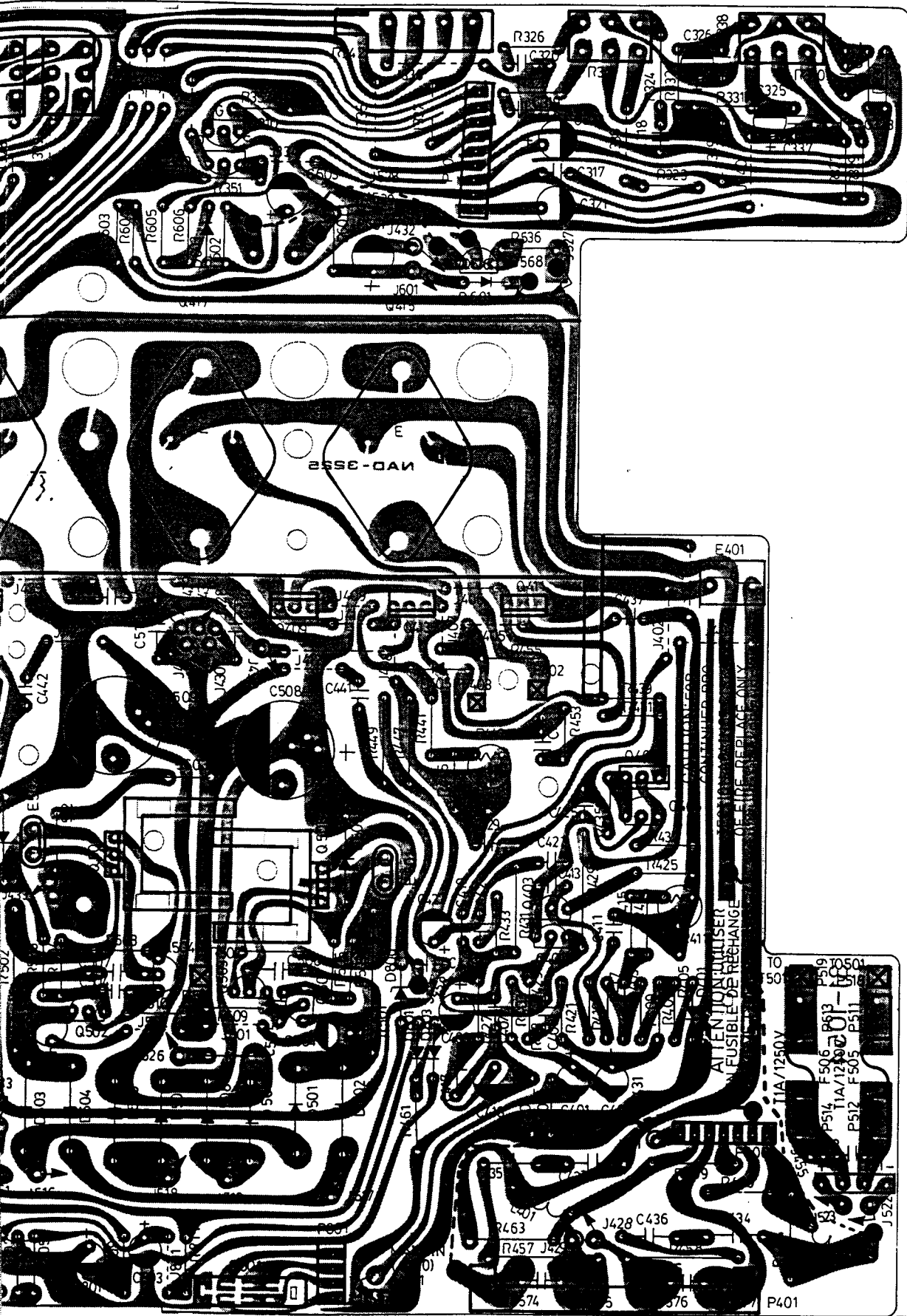


NAD3225PE AMPLIFIER PCB LAYOUT

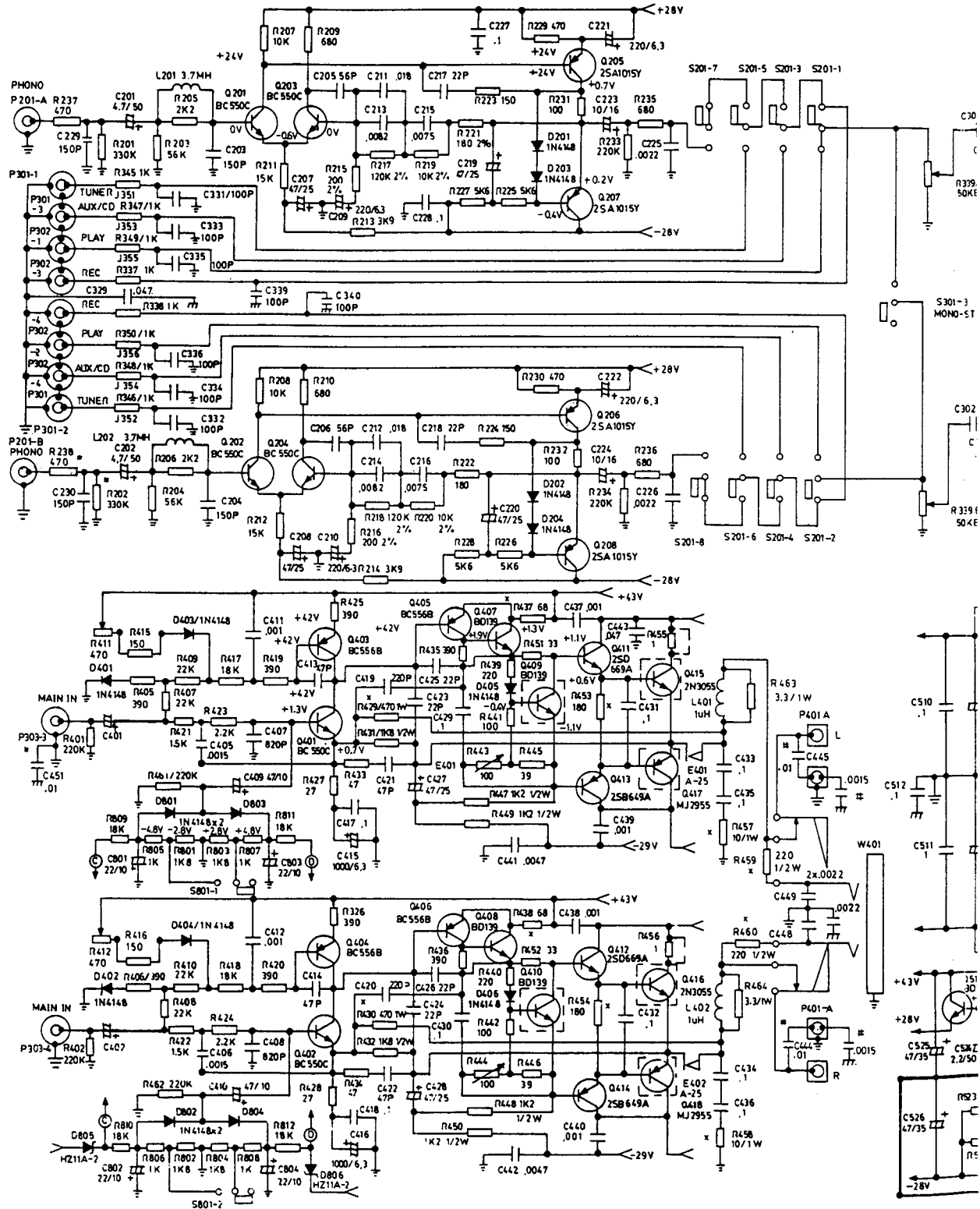


25PE AMPLIFIER PCB LAYOUT

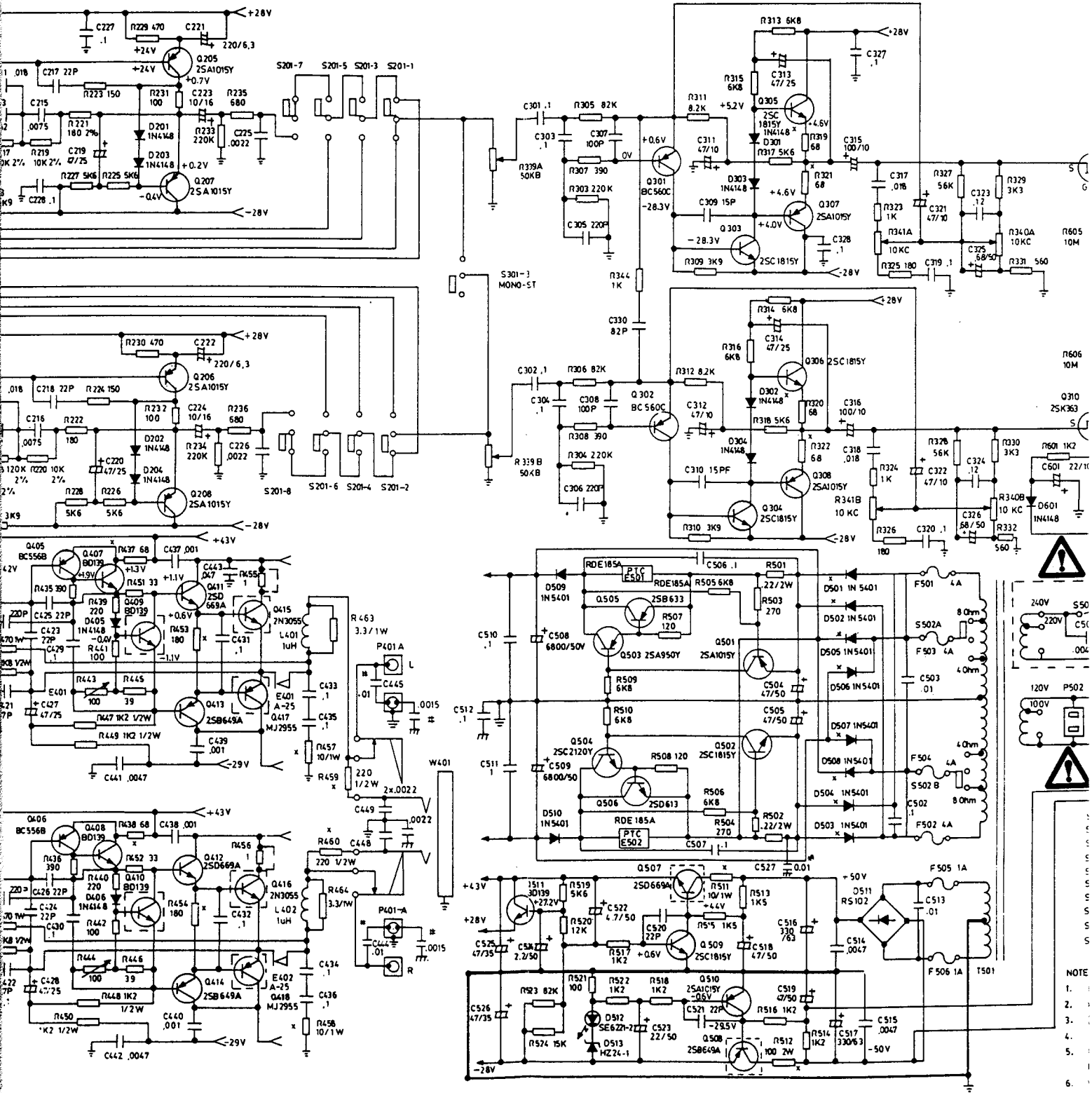




SCHEMATIC DIAGRAM NAD3225PE AMI

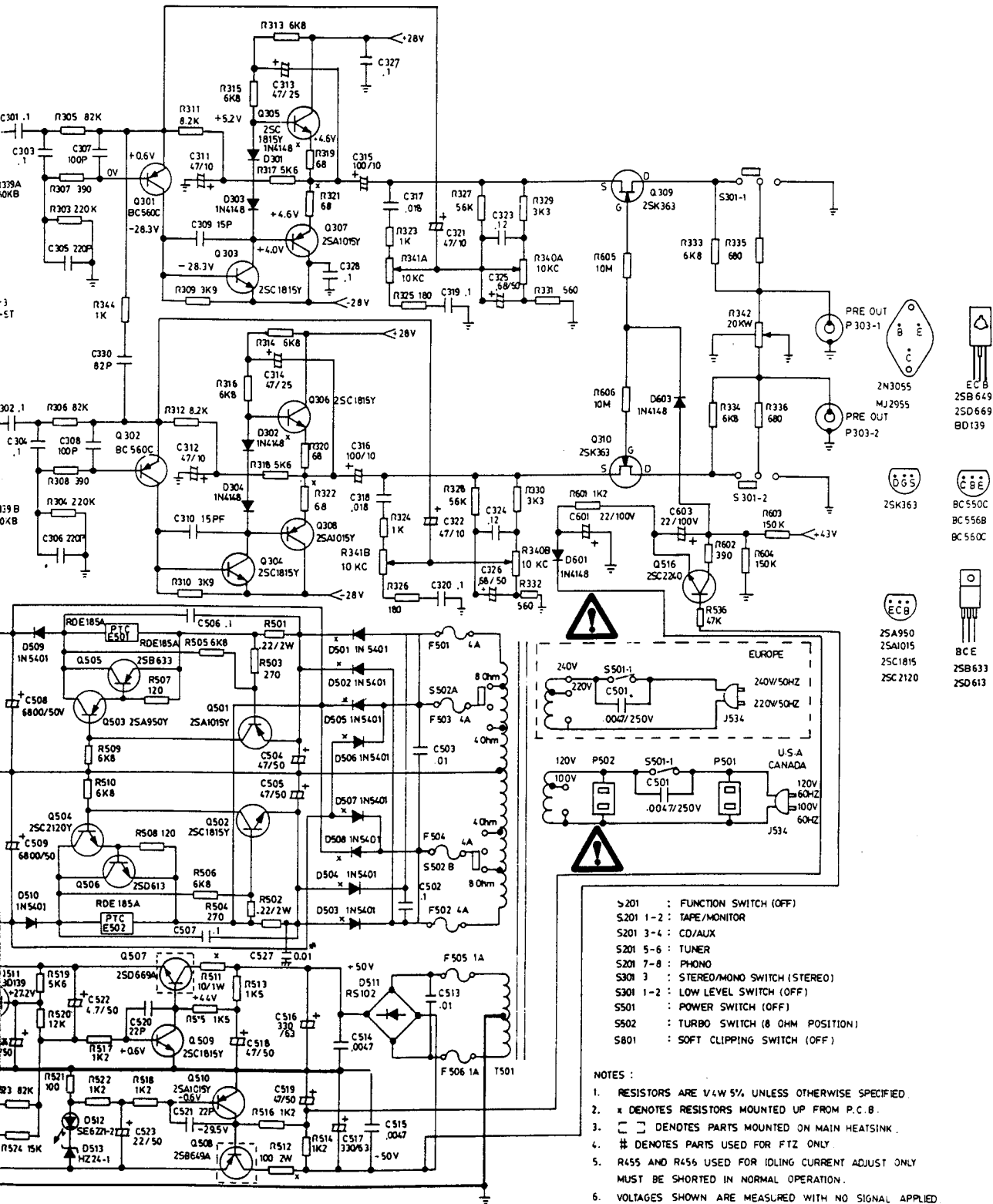


SCHEMATIC DIAGRAM NAD3225PE AMPLIFIER

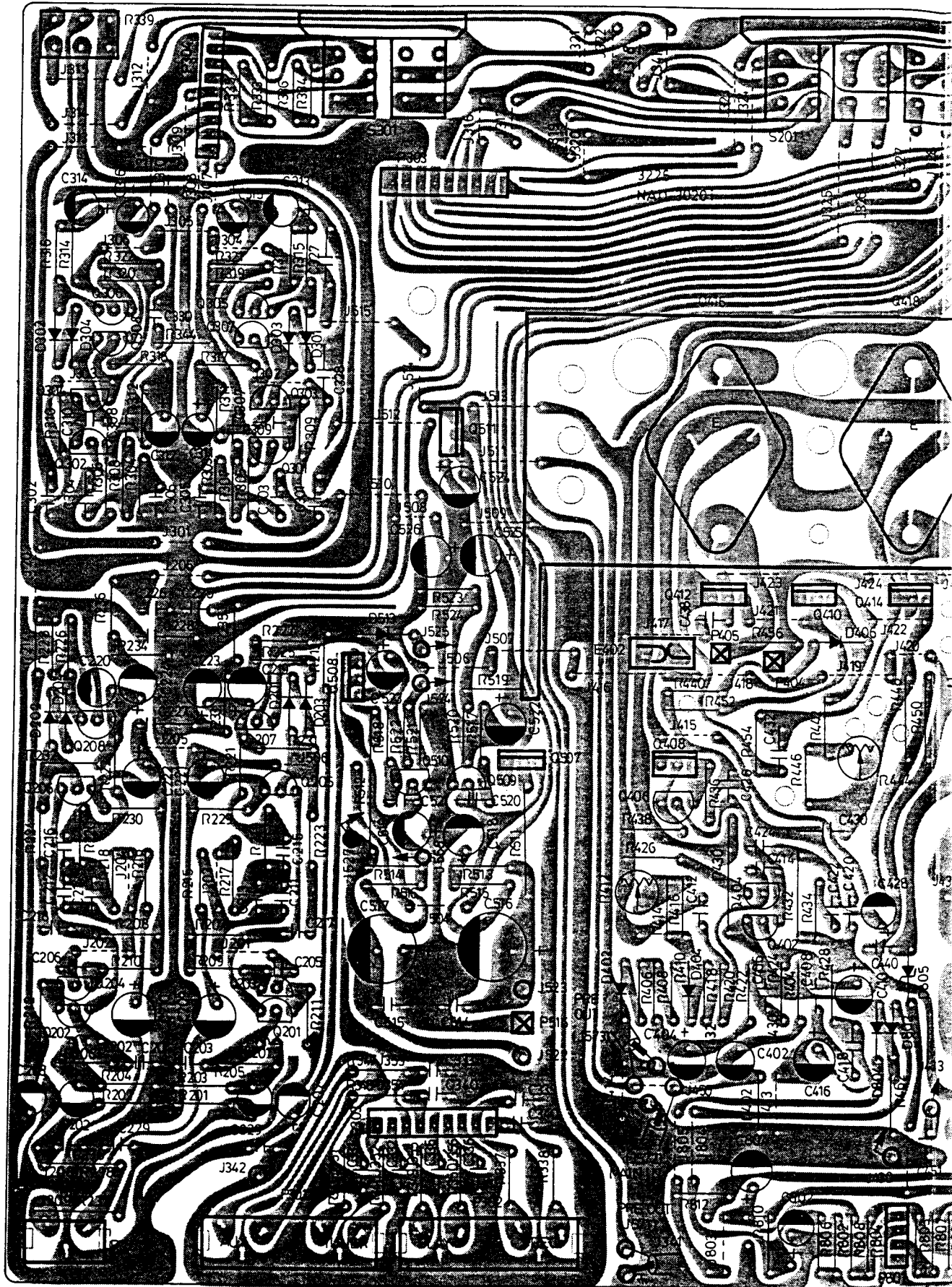


NOTE
1.
2.
3.
4.
5.
6.

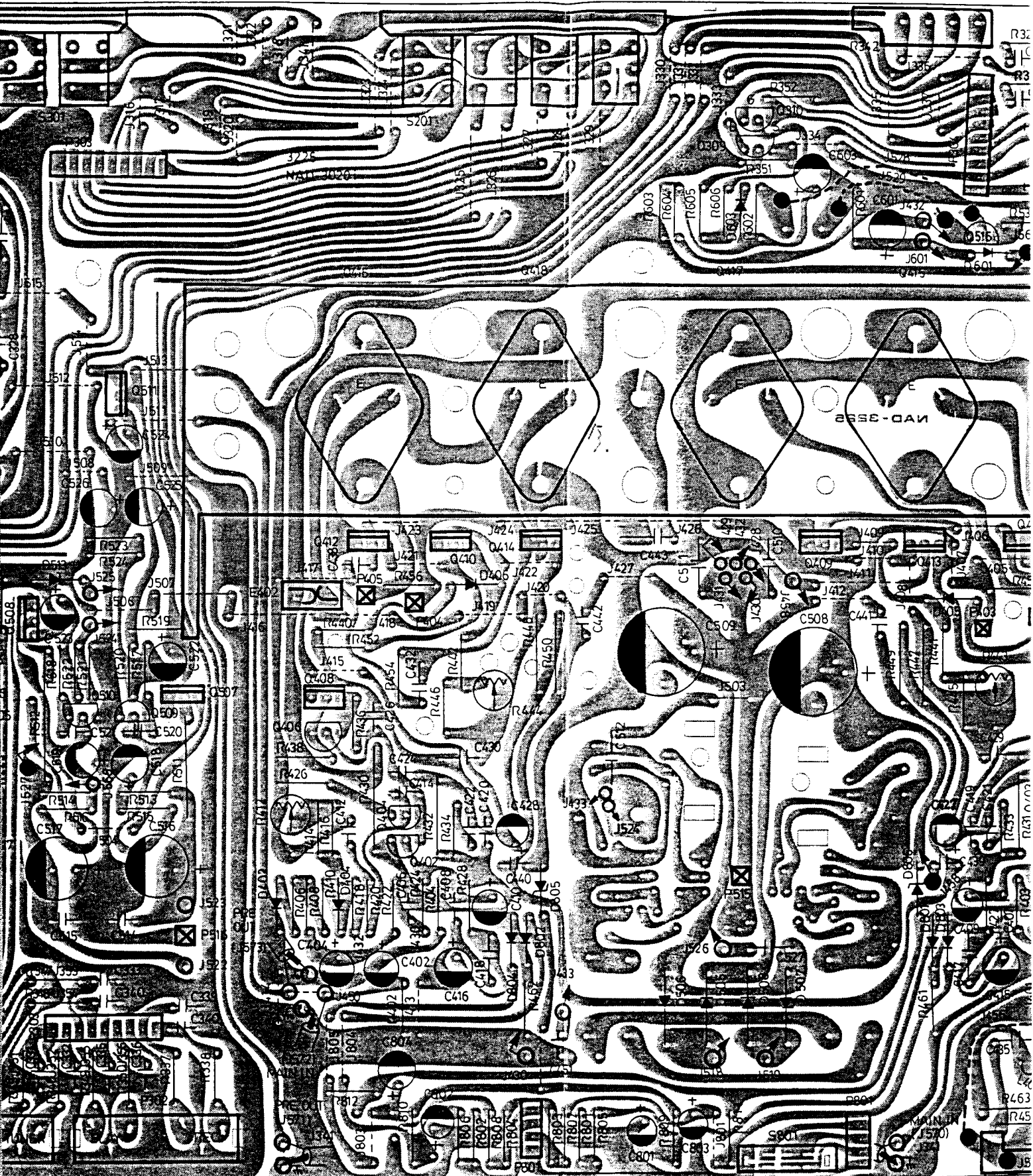
AMPLIFIER

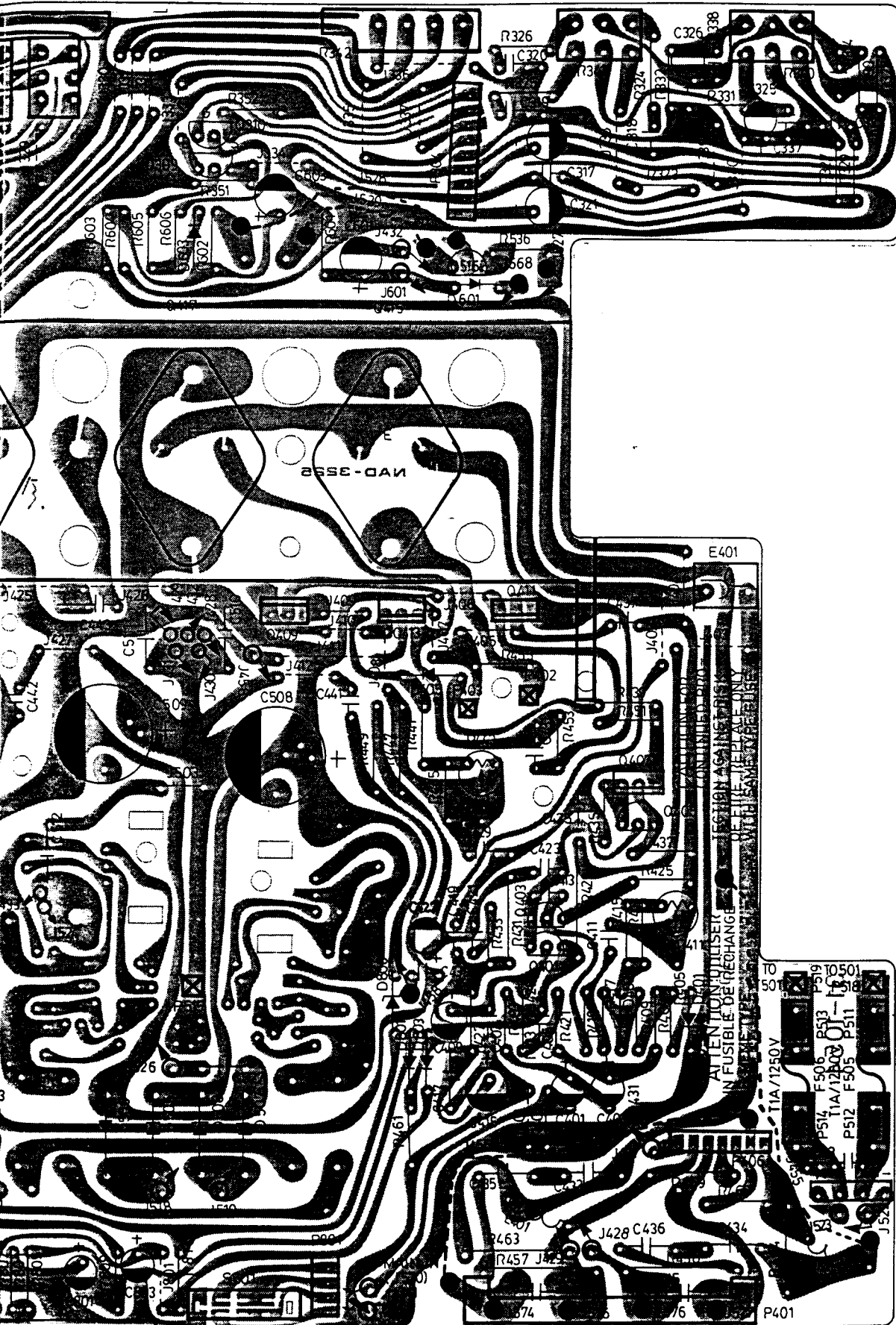


NAD3020i AMPLIFIER PCB LAYOUT

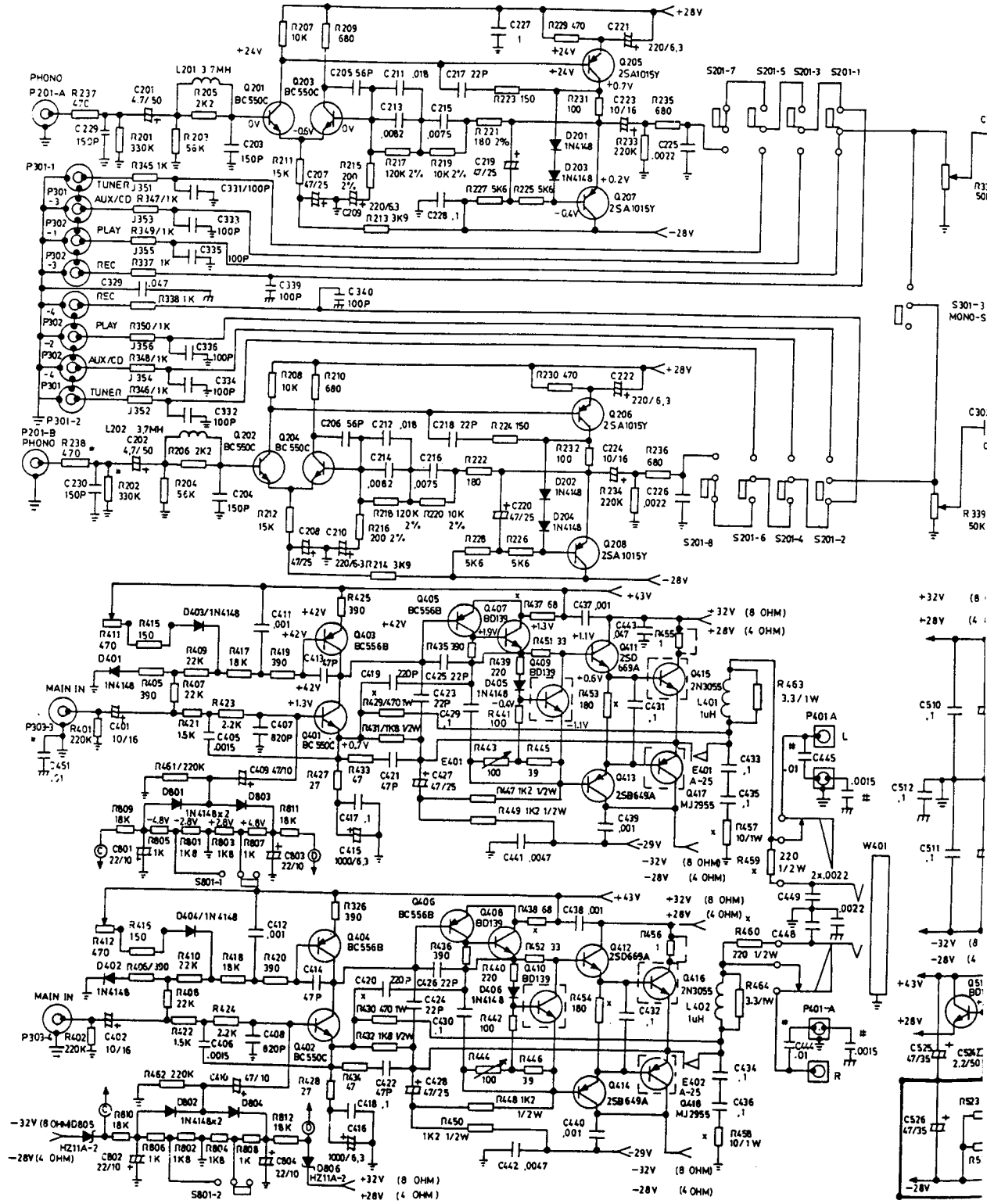


AMPLIFIER PCB LAYOUT

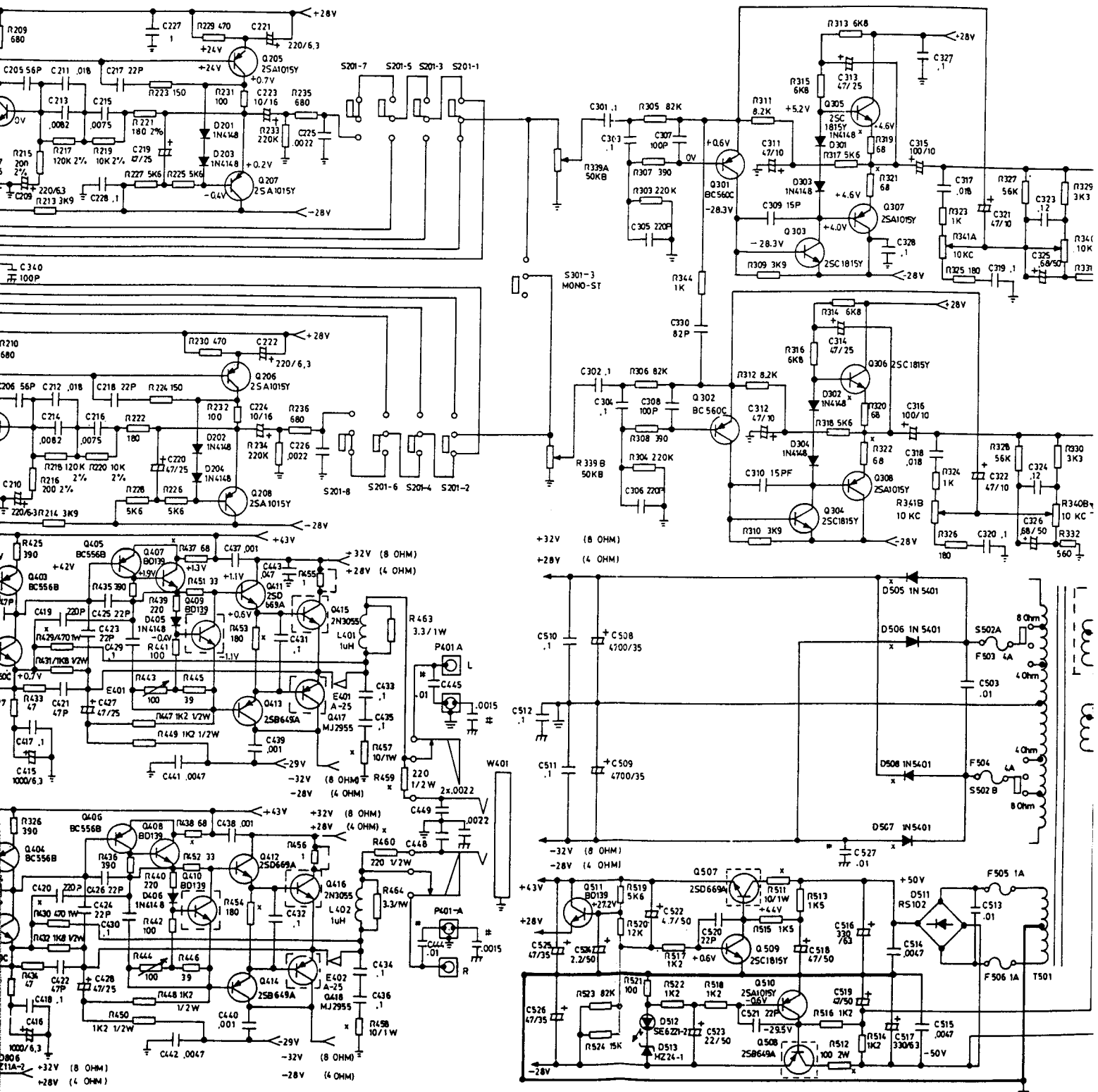


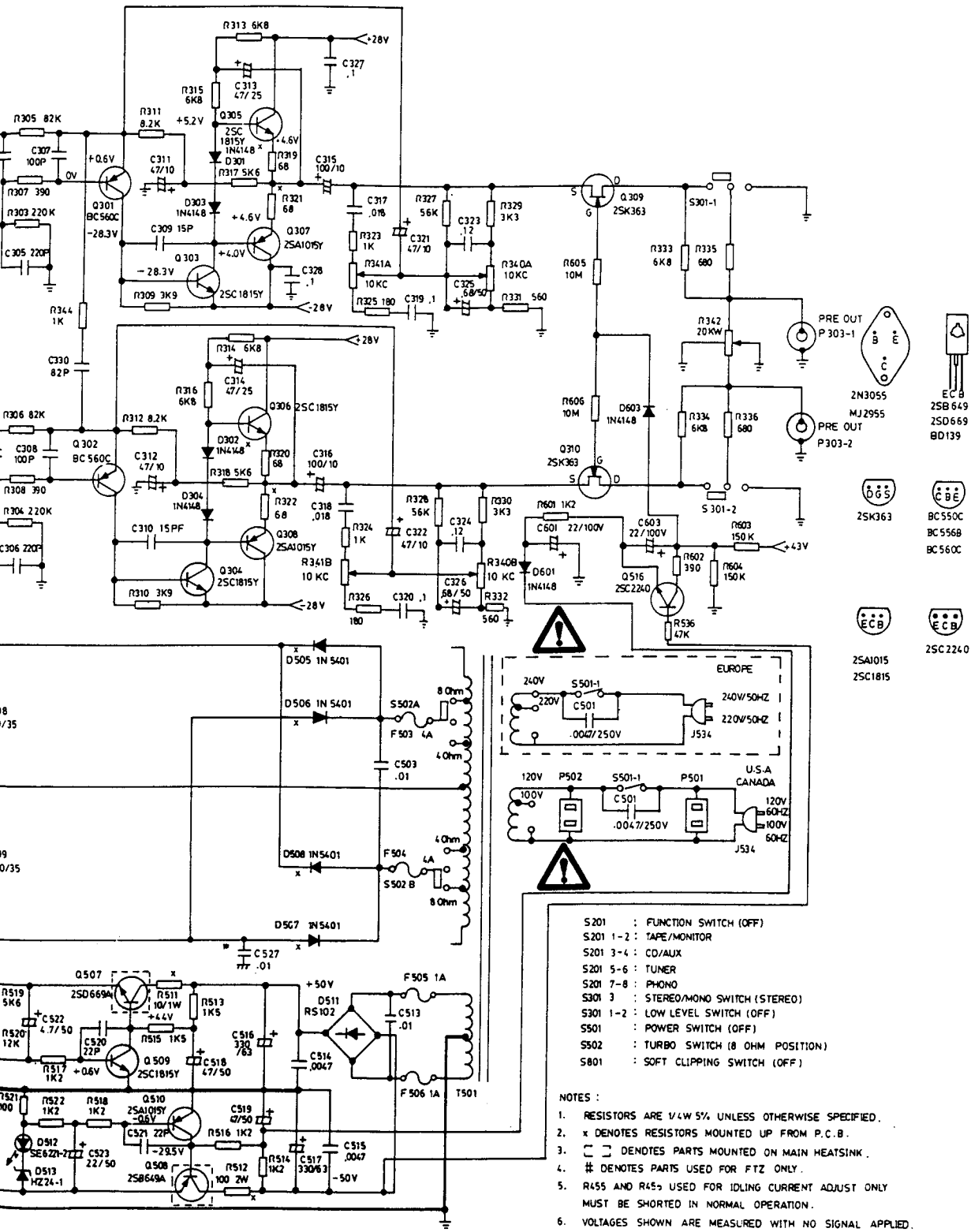


SCHEMATIC DIAGRAM NAD3020i AMPLIFIER



SCHEMATIC DIAGRAM NAD3020i AMPLIFIER

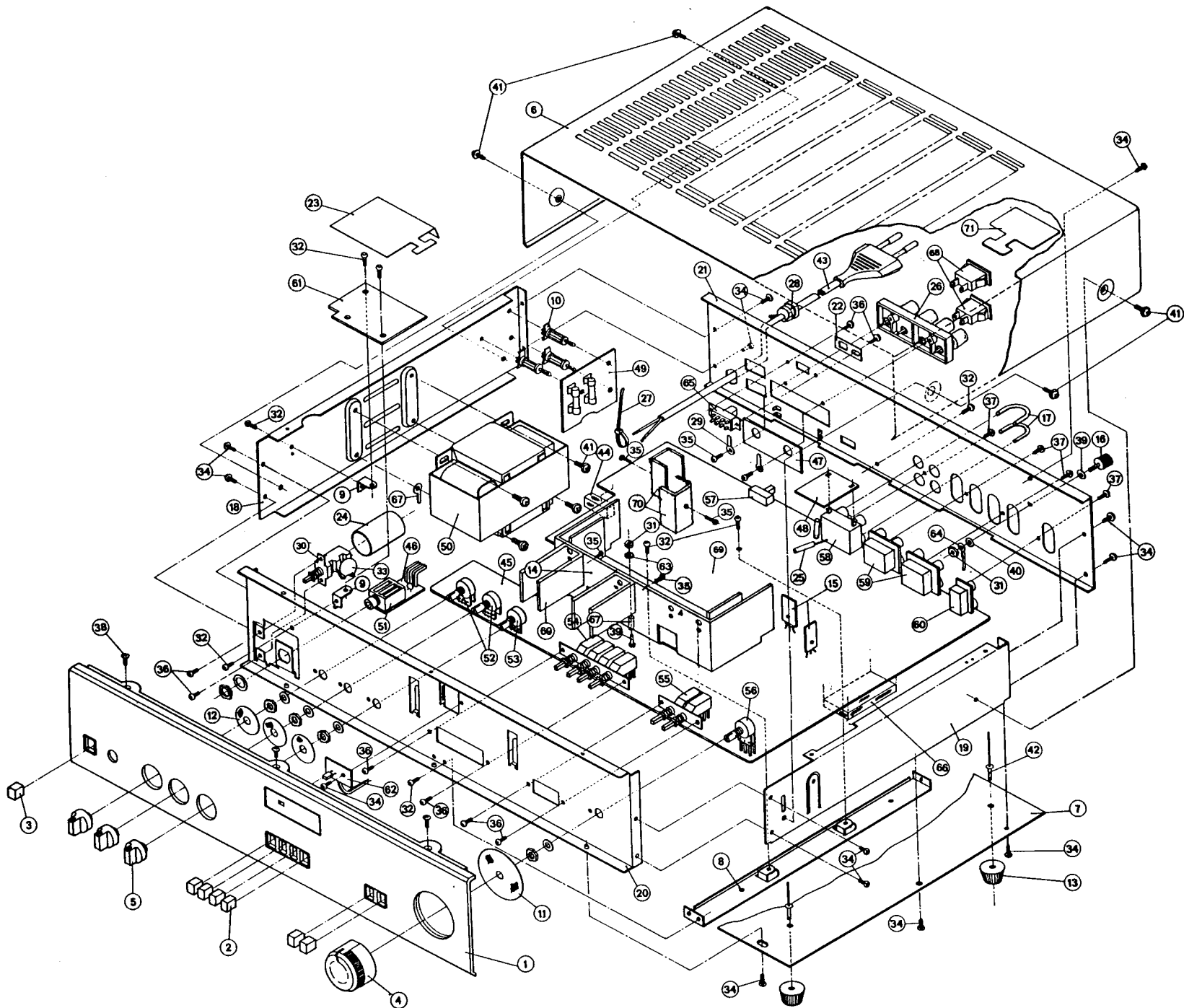




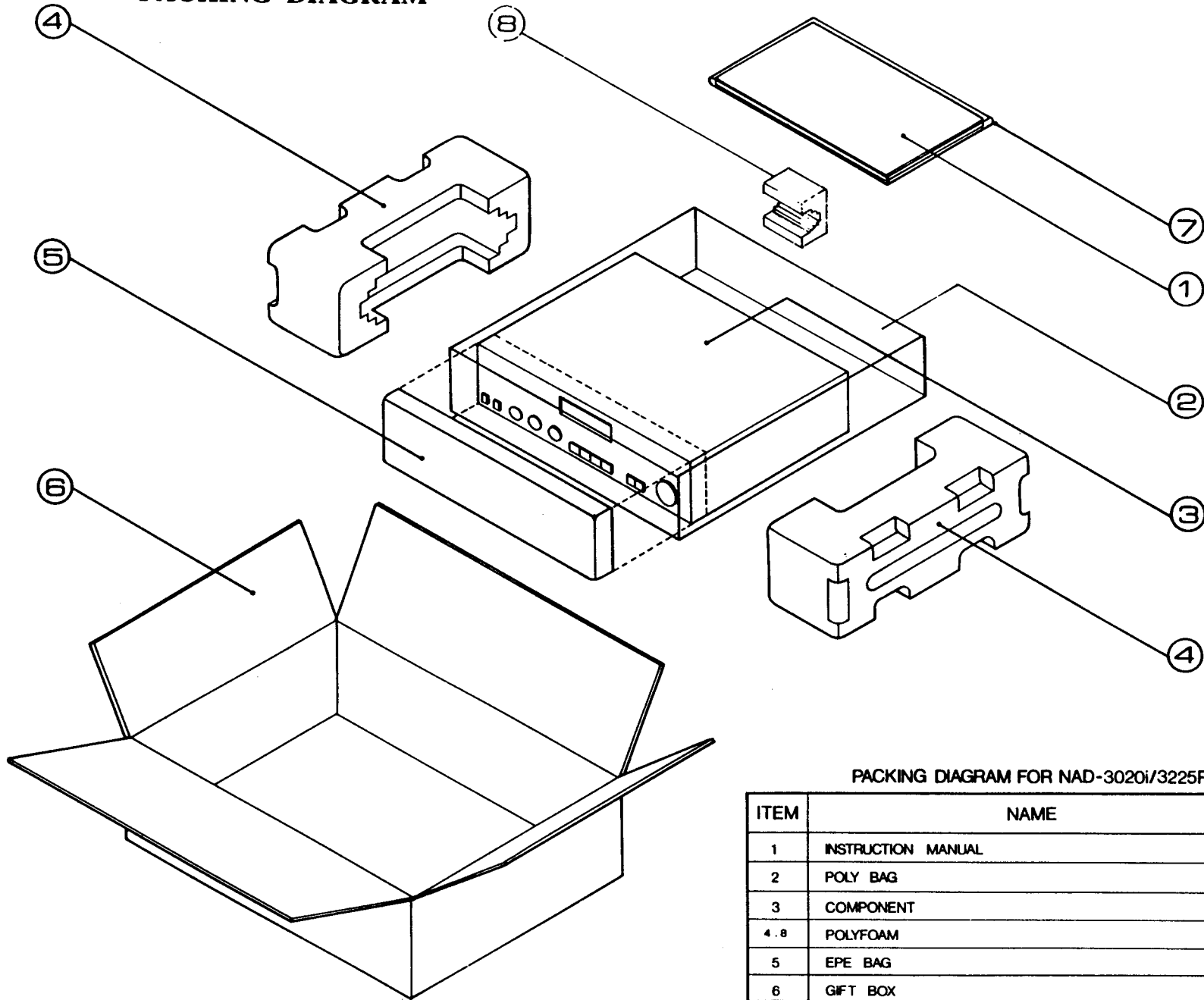
3225PE/3020i EXPLODED VIEW PARTS

ITEM	PARTS NO.	DESCRIPTION	QTY
1.	055-131A	Panel — Front	1
2.	073-1620	Button — Push	6
3.	073-1625	Button — Push (Power)	1
4.	081-1100	Knob — Volume	1
5.	081-1110	Knob — Control	3
6.	049-069A	Cover — Top	1
7.	049-0700	Cover — Bottom	1
8.	078-8120	Bracket — Middle	1
9.	078-8130	Bracket — Tuner PCB	2
10.	080-2090	Supporter — Circuit Board	3
11.	082-4490	Felt — Volume Knob	1
12.	082-4500	Felt — Control Knob	3
13.	082-4510	Rubber — Foot	4
14.	083-0710	Heat Sink	1
15.	083-0720	Heat Sink (S)	2
16.	085-1350	Thumb Screw Stud	1
17.	085-1360	Bar — Shorting	2
18.	095-7070	Plate — Left	1
19.	095-7080	Plate — Right	1
20.	095-7090	Plate — Front	1
21.	095-710E	Plate — Back (220V 50Hz 140W)	1
22.	095-7110	Plate — Switch	1
23.	095-7130	Plate — Terminal Board Cover	1
24.	099-0760	UL Heat Shrinkable Tube	0.03
25.	099-0770	UL Heat Shrinkable Tube	0.11
26.	099-0850	Loudspeaker Terminal Block	1
27.	527-060	Cable Tie 4"	8
28.	527-6002	Micro Bushing 4N40	1
29.	027-5000	Soldering Tag	2
30.	526-3110-1	Push Bottom Switch	1
31.	048-0620	Nut — 3.5mm	1
32.	093-3008BTBB(H)	Self-Tapping Screw 3 x 8 BTBB	
33.	571-0ME2470	Ceramic Capacitor	1
34.	093-3006BTBB(H)	Self-Tapping Screw 3 x 6 BTBB	1
35.	093-3006BTB	Self-Tapping Screw 3 x 6 BTB	8
36.	093-3008BH	Machine Screw M 3 x 0.5P x 8 BH	6
37.	093-3008BTBB	Self-Tapping Screw 3 x 8 BTBB	4
38.	093-3008KTB(H)	Self-Tapping Screw 3 x 8 KTB	3
39.	094-0740	Washer — Metal	1
40.	094-0760	Washer — External Tooth	1
41.	093-4006WHB(H)	Machine Screw M 4 x 0.7P x 6 WHB	2
42.	099-1100	Rivet	4
43.	529-51A01	AC Cord uL/CSA	1
	529-53B01	AC Cord BS	1
	529-53M01	AC Cord VDE/EMKO	1
	529-53S01	AC Cord SAA	1
44.	082-4020	Cushion	
45.	531-1054	Main Board	1
46.	531-9016	Headphone Board	1
47.	531-9015	Ext. Speaker Board	1
48.	531-2201	Ext. Pre-Amp Board	1
49.	531-V001	Fuse Board	1
50.	521-167AMV501	Power Transformer EI 67 x 55 mm	1
51.	527-4020	Headphone Jack 6.5mm	1
52.	507-3103C21	Volume 10K C (D) W/O Switch	2
53.	507-3203W11-T	Volume 20K W (S) W/O Switch	1
54.	526-3102	Push Switch 2I2I2S (SPUF41) Alps	1
55.	526-3103	Push Switch 2S2S (SPUF21) Alps	1
56.	507-3503B21	Volume 50K B (D) W/O Switch	1
57.	526-52205	Slide Switch 2P2T	1
58.	527-441101	RCA Jack 4 Pos	1
59.	527-441101	RCA Jack 4 Pos	2
60.	527-421201	RCA Jack 2 Pos	1
61.	531-U001	Terminal Board	1
62.	531-7049	Power LED Board	1
63.	094-0190	Washer — Ext. Tooth	16
64.	027-6003	Soldering Tag	1
65.	526-3105	Slide Switch 2P2T RG 10mm	1
66.	082-4530	Foam — Sheet	1
67.	027-6004	Soldering Tag	1
68.	527-3125U	AC Outlet (for UL/CSA only)	2
69.	083-0780	Heat Sink Fin (3225PE only)	4
70.	083-0790	Heat Sink Power Envelope (3225PE only)	2
71.	095-7120	Plate AC Socket Cover (UL/CSA, A/A1 only)	1

EXPLODED VIEW



PACKING DIAGRAM



PACKING DIAGRAM FOR NAD-3020i/3225PE

ITEM	NAME	QTY
1	INSTRUCTION MANUAL	1
2	POLY BAG	1
3	COMPONENT	1
4, 8	POLYFOAM	2 1
5	EPE BAG	1
6	GIFT BOX	1
7	POLY BAG	1