



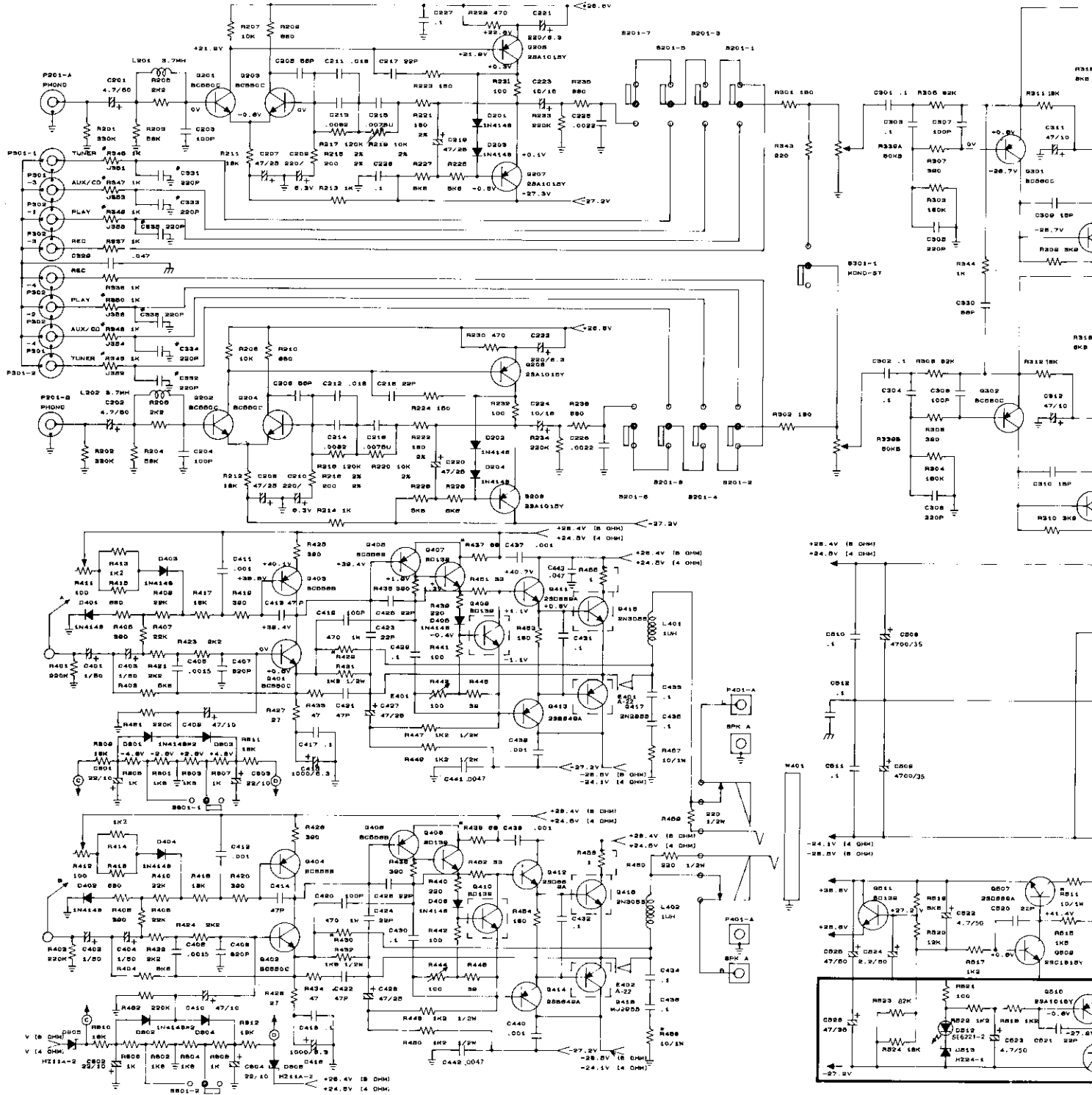
MAR 15 1989

**3220PE**

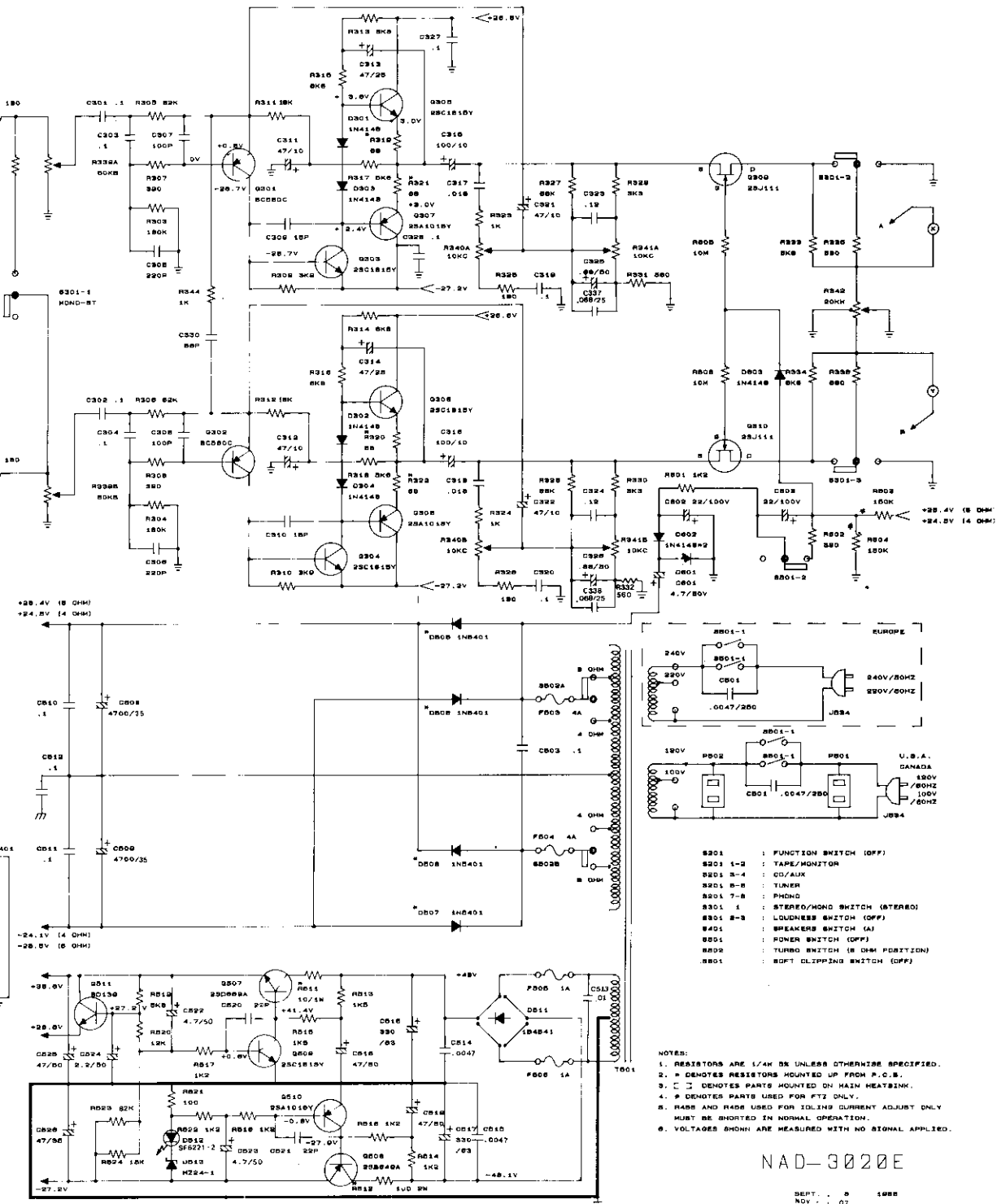
**3020e**

**INTEGRATED AMPLIFIERS**

# SCHEMATIC DIAGRAM NAD3020E AMPLIFIER



# PLIFIER



- 2N3055
- MJ2955
- BD139
- 2SB669
- 2SD649
- 2SJ11
- BC550C
- BC556B
- BC560C
- 2SA950
- 2SA1015
- 2SC1815
- 2SC2120

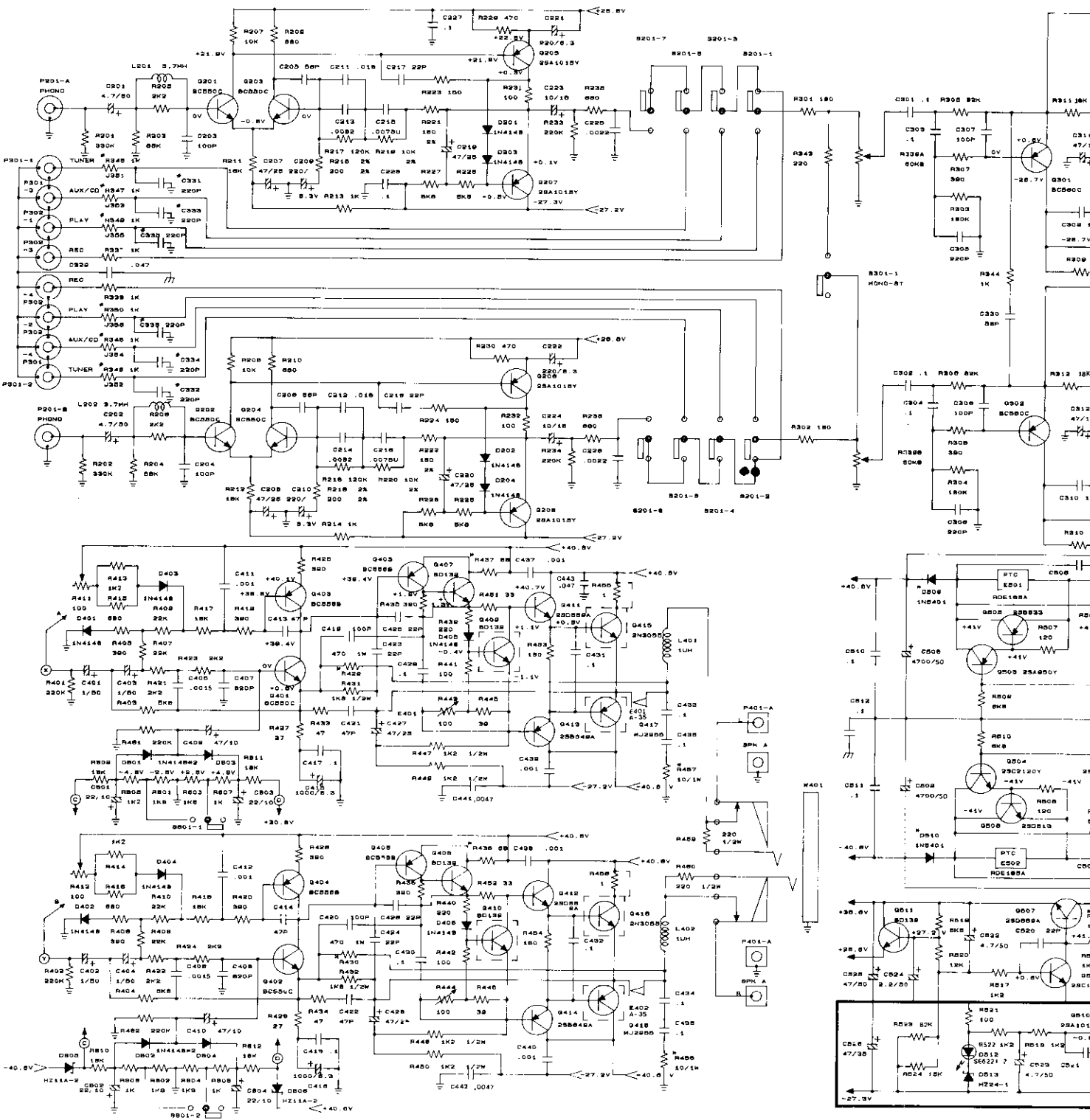
- S201 : FUNCTION SWITCH (OFF)
- S201 1-2 : TAPE/MONITOR
- S201 3-4 : CD/AUX
- S201 5-6 : TUNER
- S201 7-8 : PHONO
- S301 1 : STEREO/MONO SWITCH (STEREO)
- S301 2-3 : LOUDNESS SWITCH (OFF)
- S401 : SPEAKERS SWITCH (A)
- S501 : POWER SWITCH (OFF)
- S502 : TURBO SWITCH (8 OHM POSITION)
- S501 : SOFT CLIPPING SWITCH (OFF)

- NOTES:
1. RESISTORS ARE 1/4W 5% UNLESS OTHERWISE SPECIFIED.
  2. \* DENOTES RESISTORS MOUNTED UP FROM P. C. B.
  3. □ □ DENOTES PARTS MOUNTED ON MAIN HEATSINK.
  4. # DENOTES PARTS USED FOR FTZ ONLY.
  5. R485 AND R486 USED FOR IDLING CURRENT ADJUST ONLY MUST BE SHORTED IN NORMAL OPERATION.
  6. VOLTAGES SHOWN ARE MEASURED WITH NO SIGNAL APPLIED.

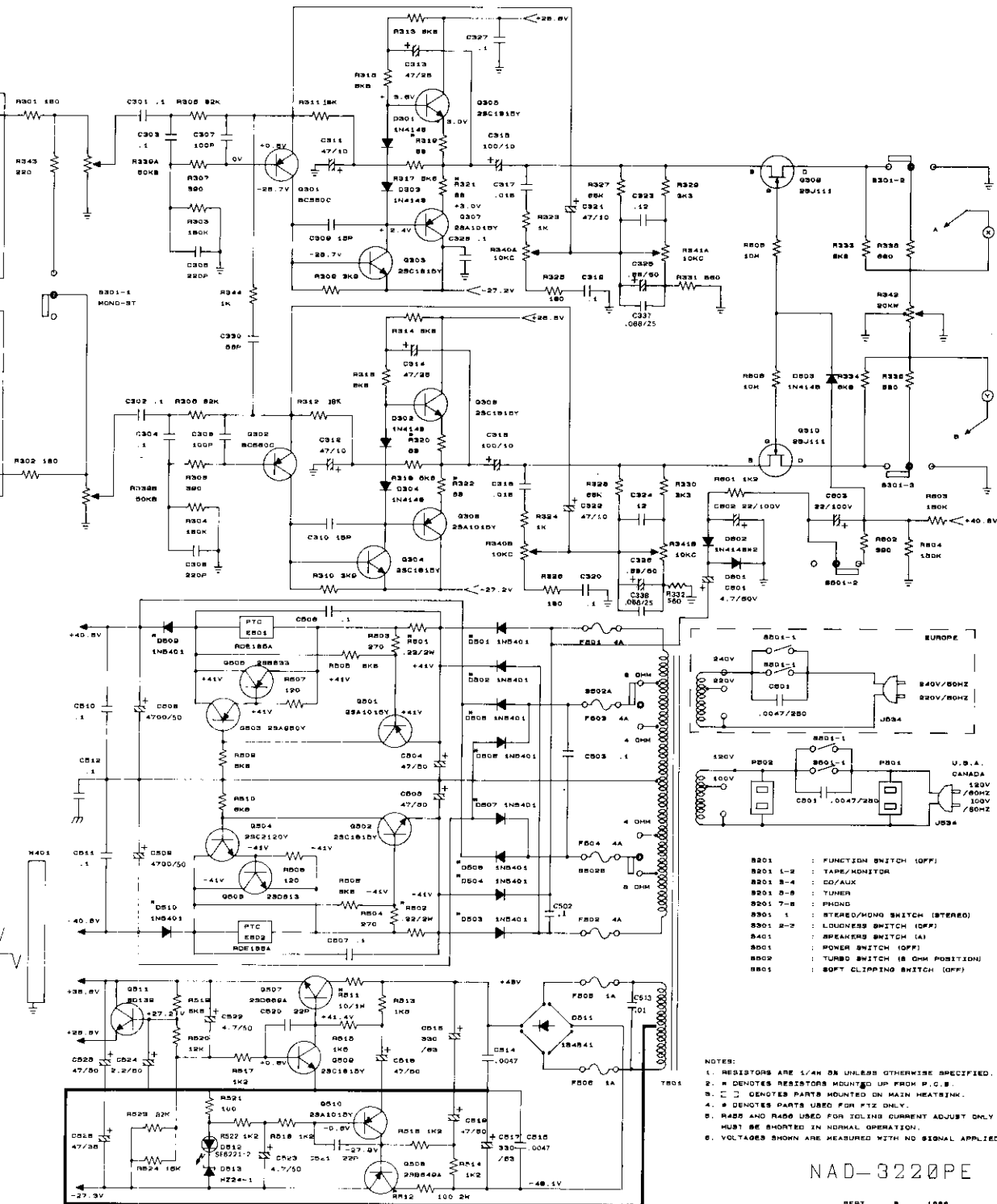
NAD-3020E

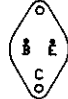

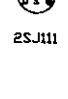




SEPT. . 8 1988  
NOV. . 07

# SCHEMATIC DIAGRAM NAD3220PE AMPLIFIER



# AMPLIFIER



-  2N3055  
MJ2955
-  2N3669  
2SD649  
2SA496  
BD139
-  2SJ111
-  BC550C  
BC560C
-  2SA950  
2SA1015  
2SC1815  
2SC2120
-  BC
-  2SB633  
2SD613

- S301 : FUNCTION SWITCH (OFF)
- S301 L-2 : TAPE/MONITOR
- S301 3-4 : CD/AUX
- S301 5-8 : TUNER
- S301 7-8 : PHONO
- S301 1 : STEREO/MONO SWITCH (STEREO)
- S301 2-7 : LOUDNESS SWITCH (OFF)
- S401 : SPEAKERS SWITCH (A)
- S501 : POWER SWITCH (OFF)
- S502 : TUNING SWITCH (8 OHM POSITION)
- S601 : SOFT CLIPPING SWITCH (OFF)

NOTES:  
 1. RESISTORS ARE 1/4W OR UNLESS OTHERWISE SPECIFIED.  
 2. \* DENOTES RESISTORS MOUNTED UP FROM P.C.B.  
 3. [ ] DENOTES PARTS MOUNTED ON MAIN HEAT-SINK.  
 4. # DENOTES PARTS USED FOR FTZ ONLY.  
 5. R405 AND R406 USED FOR IDLING CURRENT ADJUST ONLY MUST BE SHORTED IN NORMAL OPERATION.  
 6. VOLTAGES SHOWN ARE MEASURED WITH NO SIGNAL APPLIED.

NAD-3220PE